



» Air Filter, Regulator & Lubricator

- Adjust the spring force on the diaphragm to set the appropriate regulated pressure.
- The design of the FRL allows you to refill the lubricator without ever stopping your device.
- The polycarbonate, water and oil bowl offers better resistance.
- The E/EI series FRL supports more than 9Bar and offers an extended lifecycle during use while typical FRL oilers degrade in high pressure environments.

◎ How to Use and Maintain

1. Before use, check the unit to see if there is some damage during the transportation, or if the joint connection is loose. If everything is ok, then start to use.
2. When installing, please pay attention to the direction of airflow and keep the unit upright.
3. When the inlet and outlet are in reduced connection, the airflow rate will be reduced approx by 10%. If with higher rate of precision, the airflow rate will be reduced approx by 7%.
4. For units with bowl guards, make sure to fix them before use.
5. When use the regulator or filter and regulator. Firstly, we need to adjust the hand wheel to the zero position.
Fix the pressure gauge and plugs on the right positions and ensure no leakage.
(positions of the pressure gauge and plug can be exchanged) Then compressed air in and adjust the air to a proper pressure.
6. When using the lubricator, we need to adjust the oil valve needle to the zero position and add oil to the oil level line first. Then adjust to a proper position when compressed air in. Pay attention to the brand and grade of the lubricating oil. Never use spindle oil and lubricating oil containing lower ketone or aromatic hydrocarbon.
7. When using metal tubes for connection, remember to remove the metal grains, dusts and oil stains in the tubes.
8. Please attention whether the working condition meet the technical details of the units. (Such as the working pressure, working temperature)
9. Please change the filter element when filter's function not goes well.
10. When remove the units from the system, pls pay attention to protect the units by the dust plug on the threads.

◎ How to Order

1. Please let us know the item No, order number, specifications and quantity when placing an order.
2. For orders of filter, regulator and regulator+filter etc., please specify the filter precision and pressure range.
Otherwise, we will provide the our normal standard products to you.
3. For special requirements, you can contact us by e-mail, fax and so on. We can discuss together and arrange specially.

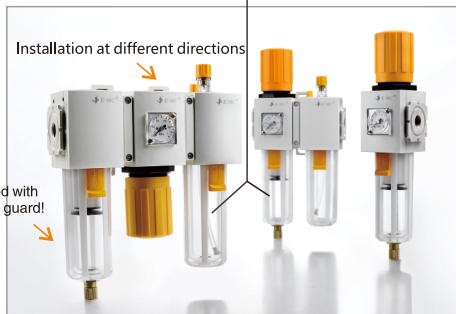
◎ Remarks

1. The regulator and lubricator not with the drain type code and filter precision code.
2. The filter and lubricator without pressure scale unit code.
3. The three units and two units, without bracket code
4. When with type code of "C", combination quantity code "10" is for two units and "00" for three units, others all with "00".

EA

Air Preparation Unit

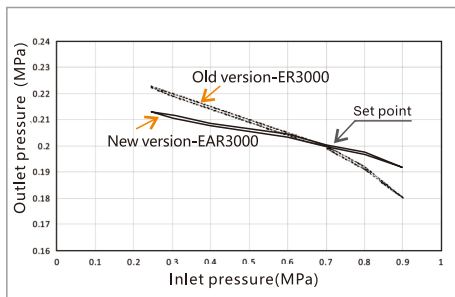
Double layer design



Square & Round gauge options



Improvement of pressure character

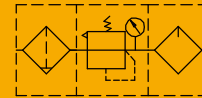


Product Features

1. Unique diversion structure, greatly improve the efficiency of water distribution
2. The transparent plastic cover brings convenient observation, rustless and anti-corrosion .
3. Special diaphragm design leads the pressure adjustment to a reliable and high precise performance.
4. Special drip nozzle design offers stable oil dripping and mist creating at low flow rate.
5. Adding oil even if air supplying.
6. Round gauge and Square gauge are optional.
7. Manual Drain, Semi-auto drain, and Auto-drain are optional.

EAC2000 EAC3000 EAC4000

F.R.L Unit



Specifications

Model	EAC2000-01	EAC2000-02	EAC3000-02	EAC3000-03	EAC3000-04	EAC4000-03	EAC4000-04	EAC4000-06	
Working Medium	Clean Air(after 40 μ m filtration)								
Proof Pressure(MPa)	1.5								
Working Pressure Range(MPa)	0.15~1.0								
Pressure Adjustment Range(MPa)	0.05~0.9,Low pressure type 0.05~0.4								
Working Temperature(°C)	-5~60 (No freezing)								
Filter Precision	40 μ m/5 μ m optional								
Recommended Oil	Turbine No.1 Oil, ISO VG32								
Bowl Material	PC(Polycarbonate)								
Water Bowl Capacity(CC)	11		40			75			
Oil Bowl Capacity(CC)	30		76			183			
Weight(g)	551		1245			2284			
Component	Filter	EAF2000-01	EAF2000-02	EAF3000-02	EAF3000-03	EAF3000-04	EAF4000-03	EAF4000-04	EAF4000-06
	Regulator	EAR2000-01	EAR2000-02	EAR3000-02	EAR3000-03	EAR3000-04	EAR4000-03	EAR4000-04	EAR4000-06
	Lubricator	EAL2000-01	EAL2000-02	EAL3000-02	EAL3000-03	EAL3000-04	EAL4000-03	EAL4000-04	EAL4000-06

How to Order?

Series No.	Port Size	Drain Type	Type No.	Pressure Gauge	Pressure Gauge Type	Scale Unit	Filter Precision	Thread Type		
EAC2000:EA2000 series F.R.L Unit	2000 01: 1/8" 02: 1/4" 02: 1/4"	Blank: Manual drain type① C: Semi-anto drain D: Auto Drain type	Blank: With pressure gauge N: No pressure gauge	Blank: Standard type	F:Square pressure gauge Y:Round pressure gauge②	③ Square pressure gauge optional Round pressure gauge optional	Blank: 40 μ m 5M: 5 μ m	Blank: G P : PT T : NPT		
EAC3000:EA3000 series F.R.L Unit									03: 3/8"	1: MPa 2: Bar 3: Psi
EAC4000:EA4000 series F.R.L Unit									04: 1/2" 03: 3/8" 04: 1/2" 06: 3/4"	

Order Example:

EA series F.R.L unit, port size of 1/2", differential pressure drain type, with square pressure gauge, Mpa, 5 μ m, G thread, the ERP code: EAC3000-04CF15M

Remark: ①2000 series is only optional for manual drain type;

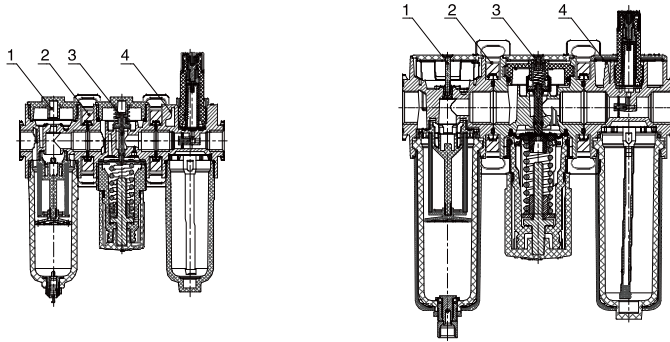
②Port of round pressure gauge is M6;It is not allowed to distribute pressure gauges to customers;

③Square pressure gauge is single scale, round pressure gauge is double scale.

EA Series Air Preparation Unit

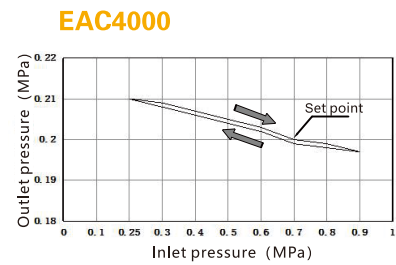
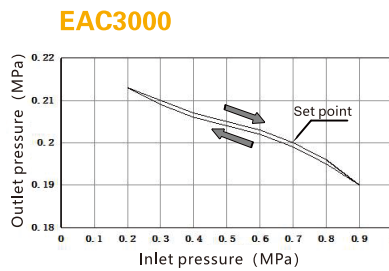
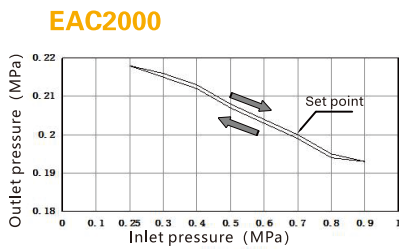


Internal Structure

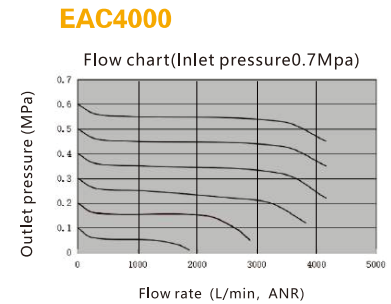
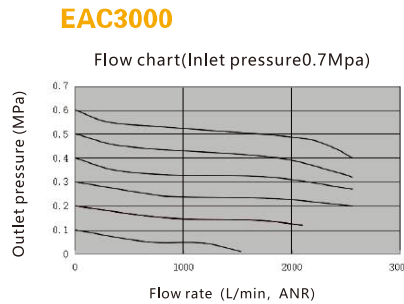
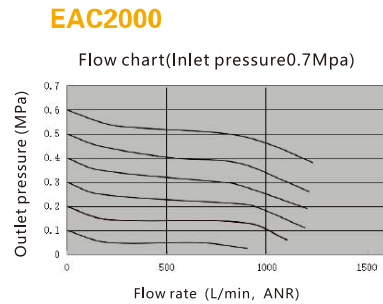


No.	Part Name
1	EA series filter
2	T type bracket
3	EA series regulator
4	EA series lubricator

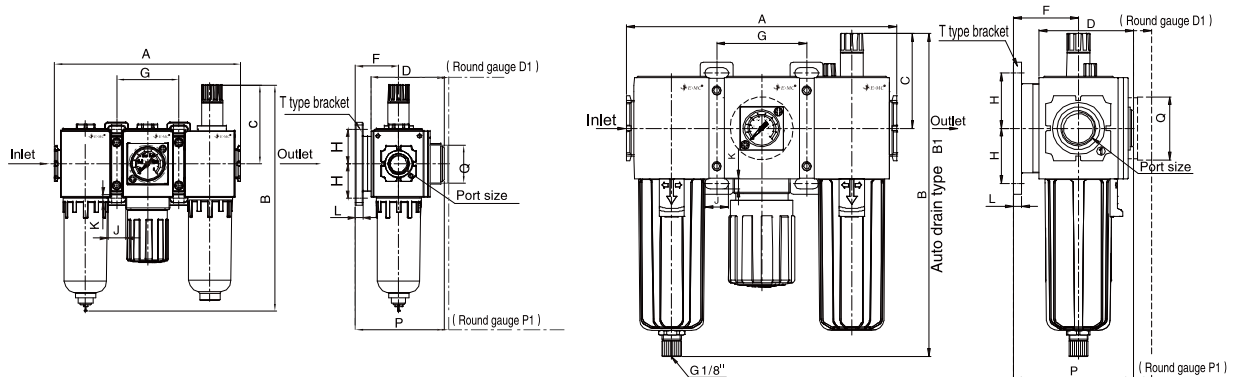
Pressure Feature



Flow Chart



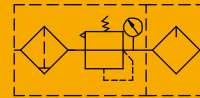
Main Dimensions



Model	Port Size	A	B	B1	C	D	D1	F	G	H	J	K	L	P	P1	Q
EAC2000	1/8", 1/4"	129	157.5	-	54.9	50.6	54	30	43	24	12.5	5.5	5	61.6	65	26.5
EAC3000	1/4", 3/8", 1/2"	171	204.5	201.5	60	61.6	73.3	41	57	35	15	7	5	75.8	87.5	40
EAC4000	3/8", 1/2", 3/4"	240	227.8	222.1	63	81.8	93.5	50	80	40	18	9	7	95	106.7	40

EAC2010 EAC3010 EAC4010

FR.L Unit



Specifications

Model	EAC2010-01	EAC2010-02	EAC3010-02	EAC3010-03	EAC3010-04	EAC4010-03	EAC4010-04	EAC4010-06	
Working Medium	Clean Air(after 40 μm filtration)								
Proof Pressure(MPa)	1.5								
Working Pressure Range(MPa)	0.15~1.0								
Pressure Adjustment Range(MPa)	0.05~0.9,Low pressure type 0.05~0.4								
Working Temperature(°C)	-5~60 (No freezing)								
Filter Precision	40 μm/5 μm optional								
Recommended Oil	Turbine No.1 Oil, ISO VG32								
Bowl Material	PC(Polycarbonate)								
Water Bowl Capacity(CC)	11		40			75			
Oil Bowl Capacity(CC)	30		76			183			
Weight(g)	388		585			1628			
Component	Filter regulator	EAW2000-01	EAW2000-02	EAW3000-02	EAW3000-03	EAW3000-04	EAW4000-03	EAW4000-04	EAW4000-06
	Lubricator	EAL2000-01	EAL2000-02	EAL3000-02	EAL3000-03	EAL3000-04	EAL4000-03	EAL4000-04	EAL4000-06

How to Order?

Series No.	Port Size	Drain Type	Type No.	Pressure Gauge	Pressure Gauge Type	Scale Unit	Filter Precision	Thread Type
EAC2010:EA2000 series FR.L Unit	2000 3000 4000	Blank: Manual drain type① C: Semi-anto drain D: Auto Drain type	Blank: Standard type	Blank: With pressure gauge N: No pressure gauge	F: Square pressure gauge Y: Round pressure gauge②	③ Square pressure gauge optional Round pressure gauge optional	Blank: 40 μm 5M: 5 μm	Blank: G P: PT T: NPT
EAC3010:EA3000 series FR.L Unit								
EAC4010:EA4000 series FR.L Unit								
01: 1/8"								
02: 1/4"								
03: 3/8"								
04: 1/2"								
06: 3/4"								
						1: MPa 2: Bar 3: Psi 4: Mpa/Psi 5: Bar/Psi		

Order Example:

EA series FR.L unit, port size of 1/2", differential pressure drain type, with square pressure gauge, Mpa, 5 μm, G thread, the ERP code is: EAC3010-04CF15M

Remark: ①2000 series is only optional for manual drain type;

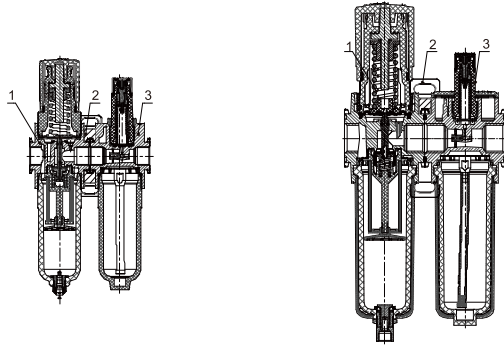
②Port of round pressure gauge is M6;It is not allowed to distribute pressure gauges to customers;

③Square pressure gauge is single scale, round pressure gauge is double scale.

EA Series Air Preparation Unit

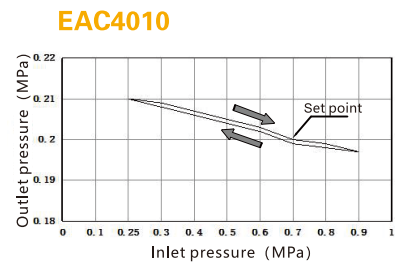
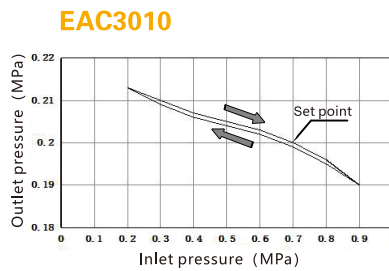
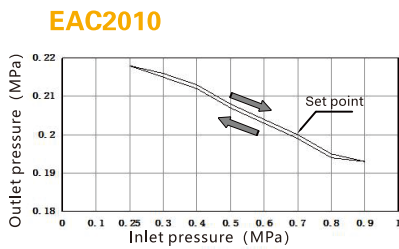


Internal Structure

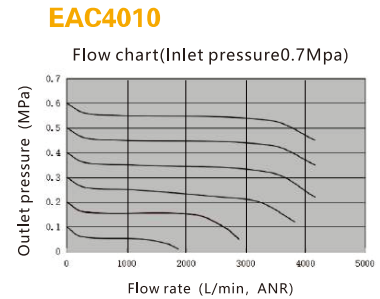
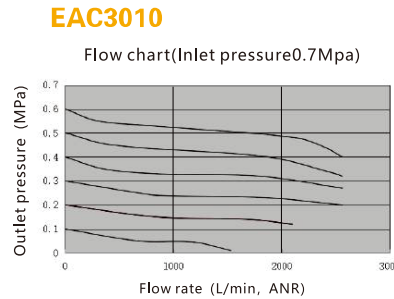
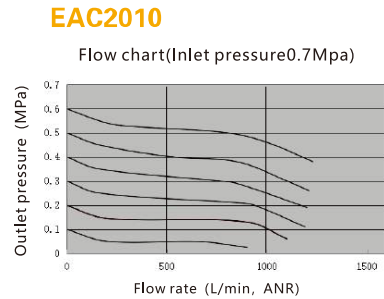


No.	Part Name
1	EA series filter regulator
2	T type bracket
3	EA series lubricator

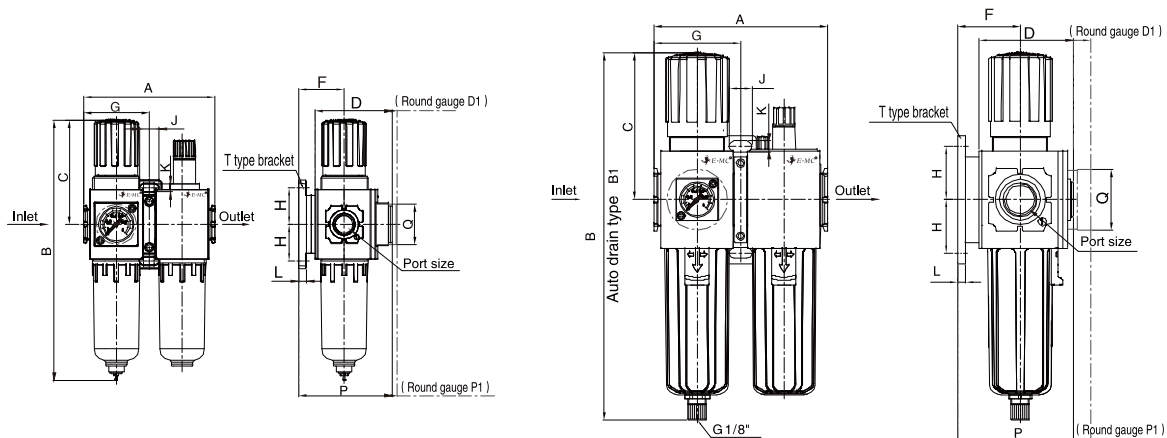
Pressure Feature



Flow Chart

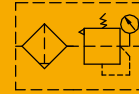


Main Dimensions



Model	Port Size	A	B	B1	C	D	D1	F	G	H	J	K	L	P	P1	Q
EAC2010	1/8", 1/4"	86	171.2	—	68.6	50.6	54	30	43	24	12.5	5.5	5	61.6	65	26.5
EAC3010	1/4", 3/8", 1/2"	114	239.6	236.6	96.6	61.6	73.3	41	57	35	15	7	5	75.8	87.5	40
EAC4010	3/8", 1/2", 3/4"	160	270.2	264.5	105.4	81.8	93.5	50	80	40	17.5	8.5	7	95	106.7	40

EAW2000 EAW3000 EAW4000 Filter Regulator



Specifications

Model	EAW2000-01	EAW2000-02	EAW3000-02	EAW3000-03	EAW3000-04	EAW4000-03	EAW4000-04	EAW4000-06
Working Medium	Clean Air(after 40 μ m filtration)							
Proof Pressure(MPa)	1.5							
Working Pressure Range(MPa)	0.15~1.0							
Pressure Adjustment Range(MPa)	0.05~0.9, Low pressure type 0.05~0.4							
Working Temperature(°C)	-5~60 (No freezing)							
Filter Precision	40 μ m/5 μ m optional							
Recommended Oil	Turbine No.1 Oil, ISO VG32							
Container Material	PC(Polycarbonate)							
Water Bowl Capacity(CC)	11		40			75		
Weight(g)	197		477			853		

How to Order?

Series No.	Port Size	Drain Type	Type No.	Pressure Gauge	Pressure Gauge Type	Bracket Code	Scale Unit	Filter Precision	Thread Type
EAW2000:EA2000 series Filter regulator	Blank: Manual drain type① C: Semi-anto drain D: Auto Drain type	Blank: With pressure gauge N: No pressure gauge	Blank: Standard type	F: Square pressure gauge Y: Round pressure gauge②	Blank: With bracket J: No bracket	③	Blank: 40 μ m 5M: 5 μ m	Blank: G P: PT T: NPT	
EAW3000:EA3000 series Filter regulator									
EAW4000:EA4000 series Filter regulator									
	2000 01: 1/8" 02: 1/4" 02: 1/4"						Square pressure gauge optional [1: MPa 2: Bar 3: Psi		
	3000 03: 3/8" 04: 1/2"						Round pressure gauge optional [4: Mpa/Psi 5: Bar/Psi		
	4000 03: 3/8" 04: 1/2" 06: 3/4"								

Order Example:

EA series FR unit, port size of 1/2", differential pressure drain type, with square pressure gauge, with bracket, Mpa, 5 μ m, G thread, the ERP code is: EAW3000-04CF15M

Remark: ①2000 series is only optional for manual drain type;

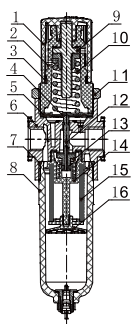
②Port of round pressure gauge is M6; It is not allowed to distribute pressure gauges to customers;

③Square pressure gauge is single scale, round pressure gauge is double scale.

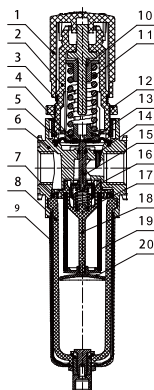
EAW Series Air Preparation Unit



Internal Structure



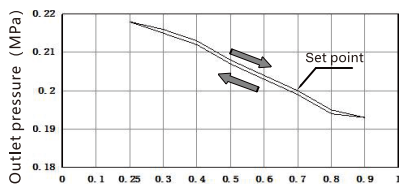
No.	Part Name	Material
1	Pressure regulating handle	Plastics
2	Pressure regulating valve cover	Plastics
3	Marking ring	Plastics
4	Diaphragm	SUS304+NBR
5	Gaskets	6061
6	Valve body	Aluminum alloy
7	Seal	NBR
8	Water bowl	Plastics
9	Protection guard	Plastics
10	Pressure regulating screw/Screw set	Free-cutting steel
11	Spring	SWC
12	Octagonal caps	Aluminum alloy
13	Spring	SUS304
14	Water separator propeller	Plastics
15	Valve core	Plastics
16	Water baffle	Plastics



No.	Part Name	Material
1	Pressure regulating handle	Plastics
2	Pressure regulating valve cover	Plastics
3	Marking ring	Plastics
4	Pressure regulating spring seat	Plastics
5	Cover plate	Plastics
6	Valve body	Aluminum alloy
7	Seal	NBR
8	Water bowl	Plastics
9	Protection guard	Plastics
10	Pressure regulating screw/Screw set	Free-cutting steel
11	Spring	SWC
12	Octagonal caps	POM with glass fiber/Zinc alloy
13	Diaphragm	NBR
14	Interline	Plastics
15	Valve stem	Brass
16	Valve core	6061+NBR
17	Spring	SUS304
18	Water separator propeller	Plastics
19	Filter element	Plastics
20	Water baffle	Plastics

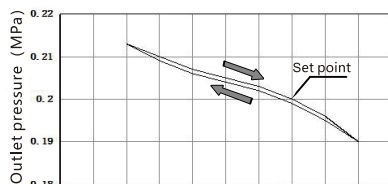
Pressure Feature

EAW2000



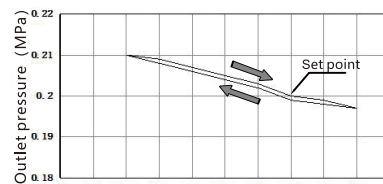
Inlet pressure (MPa)

EAW3000



Inlet pressure (MPa)

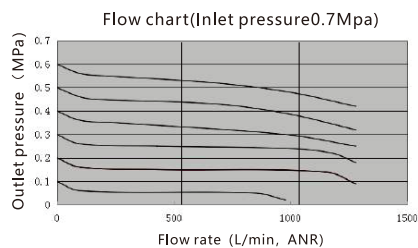
EAW4000



Inlet pressure (MPa)

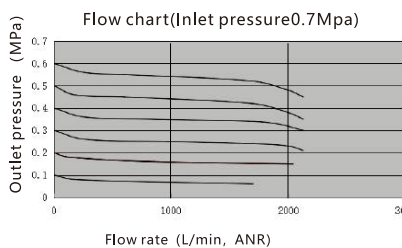
Flow Chart

EAW2000



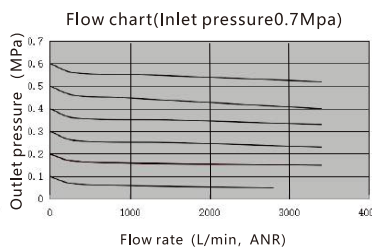
Flow rate (L/min, ANR)

EAW3000



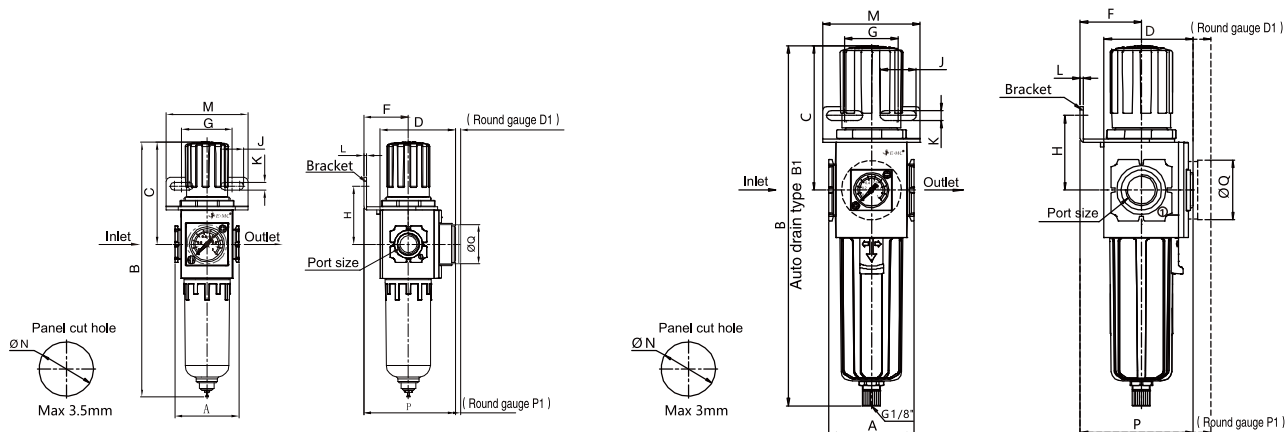
Flow rate (L/min, ANR)

EAW4000



Flow rate (L/min, ANR)

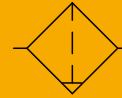
Main Dimensions



Model	Port Size	A	B	B1	C	D	D1	F	G	H	J	K	L	M	N	P	P1	Q
EAW 2000	1/8", 1/4"	43	171.2	-	68.6	50.6	54	30	34	39	15.5	5.5	2	55	31.5	61.6	65	26.5
EAW 3000	1/4", 3/8", 1/2"	57	239.6	236.6	96.6	61.6	73.3	41	36	50	24	6.5	2	65	36.5	75.8	87.5	40
EAW 4000	3/8", 1/2", 3/4"	80	270.2	264.5	105.4	81.8	93.5	50	38	53	28	8.5	2.5	72	52.5	95	106.7	40

4
EAW3000

EAF2000 EAF3000 EAF4000 Filter



Specifications

Model	EAF2000-01	EAF2000-02	EAF3000-02	EAF3000-03	EAF3000-04	EAF4000-03	EAF4000-04	EAF4000-06
Working Medium	Clean Air(after 40 μ m filtration)							
Proof Pressure(MPa)	1.5							
Working Pressure Range(MPa)	0.15-1.0							
Working Temperature(°C)	-5~60 (No freezing)							
Filter Precision	40 μ m/5 μ m optional							
Container Material	Turbine No.1 Oil, ISO VG32							
Bowl Material	PC(Polycarbonate)							
Water Bowl Capacity(CC)	11		40			75		
Weight(g)	117		315			578		

How to Order?

Series No.	Port Size	Drain Type	Bracket Code	Filter Precision	Thread Type
EAF2000:EA2000 series filter EAF3000:EA3000 series filter EAF4000:EA4000 series filter	2000 01: 1/8" ----- 02: 1/4" ----- 02: 1/4" 3000 03: 3/8" ----- 04: 1/2" ----- 03: 3/8" 4000 04: 1/2" ----- 06: 3/4"	Blank: Manual drain type① C: Semi-anto drain D: Auto Drain type	Blank: With bracket J: No bracket	Blank: 40 μ m 5M: 5 μ m	Blank: G P: PT T: NPT

Order Example:

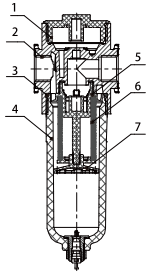
EA series Filter, port size of 1/2", differential pressure drain type, with bracket, filter precision 5 μ m, G thread, the ERP code is: EAF3000-04C5M

Remark: ①2000 series is only optional for manual drain type.

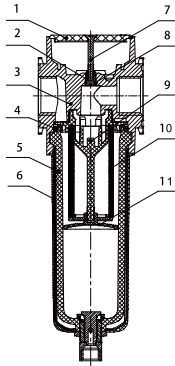
EAF Series Air Preparation Unit



Internal Structure



No.	Part Name	Material
1	Valve seat cover	Plastics
2	Valve body	Aluminum alloy
3	O-ring	NBR
4	Water bowl	Plastics
5	Water separator propeller	Plastics
6	Filter element	Plastics
7	Water baffle	Plastics

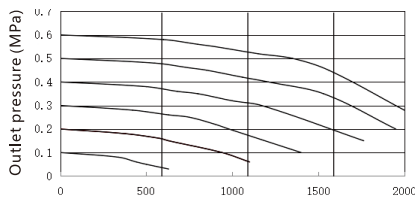


No.	Part Name	Material
1	Valve seat cover	Plastics
2	Seal Pillar	6061
3	Valve body	Aluminum alloy
4	Seal	NBR
5	Water bowl	Plastics
6	Protection Guard	Plastics
7	Screw	Mild steel
8	O-ring	NBR
9	Water separator propeller	Plastics
10	Filter element	Plastics
11	Water baffle	Plastics

Flow Chart

EAF2000

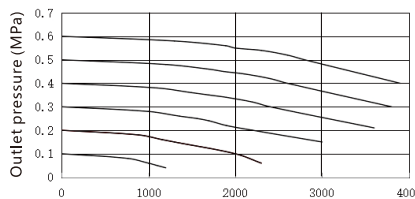
Flow chart(Inlet pressure0.7Mpa)



Flow rate (L/min, ANR)

EAF3000

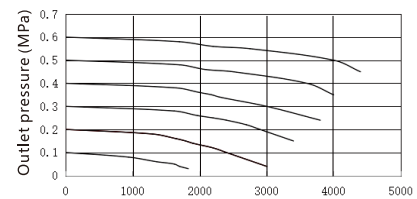
Flow chart(Inlet pressure0.7Mpa)



Flow rate (L/min, ANR)

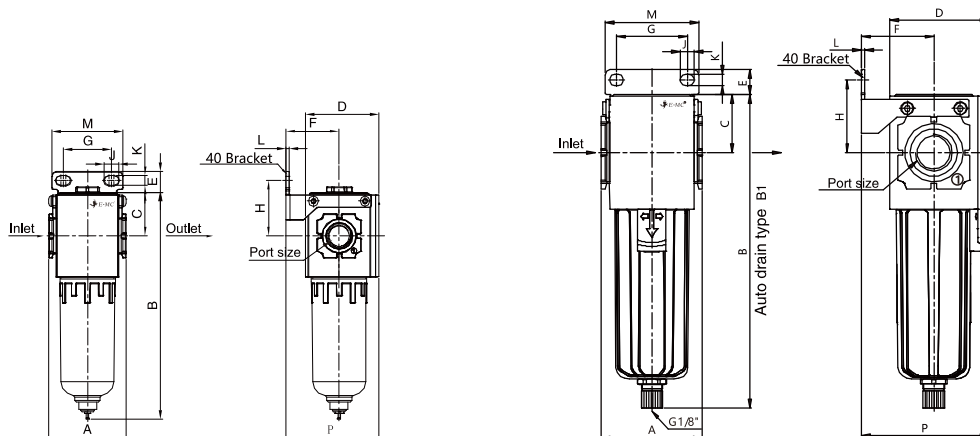
EAF4000

Flow chart(Inlet pressure0.7Mpa)



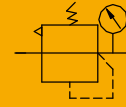
Flow rate (L/min, ANR)

Main Dimensions



Model	Port Size	A	B	B1	C	D	E	F	G	H	J	K	L	M	P
EAF2000	1/8", 1/4"	43	127.1	-	24.5	41	11.5	30	27	31	8.4	5.4	2	40	52
EAF3000	1/4", 3/8", 1/2"	57	176.5	173.5	33	58.2	14	41	40	41	8	6.5	2	53	72.4
EAF4000	3/8", 1/2", 3/4"	80	200.8	195.1	36	78.9	17	50	54	44	12	8.5	2.5	73	92.1

EAR2000 EAR3000 EAR4000 Regulator



Specifications

Model	EAR2000-01	EAR2000-02	EAR3000-02	EAR3000-03	EAR3000-04	EAR4000-03	EAR4000-04	EAR4000-06
Working Medium	Clean Air(after 40 μm filtration)							
Proof Pressure(MPa)	1.5							
Max. Working Pressure(MPa)	1.0							
Pressure Adjustment Range(Mpa)	0.05-0.9, Low pressure type 0.05-0.4							
Working Temperature(°C)	-5-60 (No freezing)							
Weight(g)	166		380			684		

How to Order?

Series No.	Port Size	Type No.	Pressure Gauge	Pressure Gauge Type	Bracket Code	Scale Unit	Thread Type
EAR2000:EA2000 series Regulator EAR3000:EA3000 series Regulator EAR4000:EA3000 series Regulator	2000 01: 1/8" ----- 02: 1/4" ----- 02: 1/4" 3000 03: 3/8" ----- 04: 1/2" ----- 03: 3/8" 4000 04: 1/2" ----- 06: 3/4"	Blank: Standard type	Blank: With pressure gauge N: No pressure gauge	F: Square pressure gauge Y: Round pressure gauge①	Blank: With bracket J: No bracket	②	Blank: G P: PT T: NPT
						Square pressure gauge optional [1: MPa 2: Bar 3: Psi Round pressure gauge optional [4: Mpa/Psi 5: Bar/Psi	

Order Example:

EA series Regulator, port size of 1/2", with square pressure gauge, with bracket, Mpa, G thread, the ERP code is: EAF3000-04F1

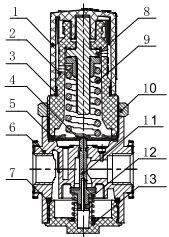
Remark: ① Max pressure adjustable for low pressure type is 0.4Mpa;

② Port of round pressure gauge is M6; It is not allowed to distribute pressure gauges to customers.

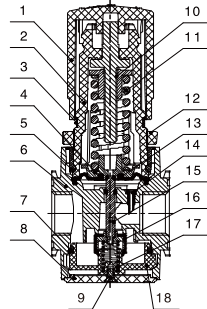
EAR Series Air Preparation Unit



Internal Structure

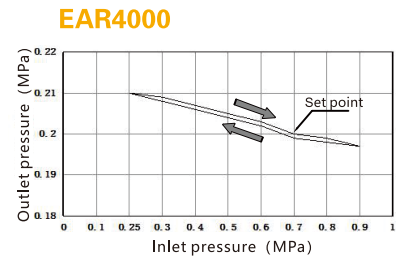
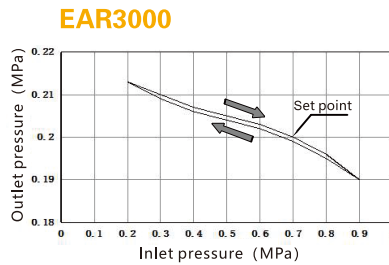
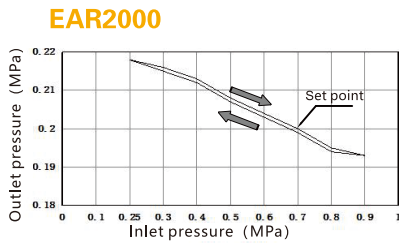


No.	Part Name	Material
1	Pressure regulating handle	Plastics
2	Pressure regulating valve cover	Plastics
3	Marking ring	Plastics
4	Diaphragm	SUS304+NBR
5	Gaskets	6061
6	Valve body	Aluminum alloy
7	Seal	NBR
8	Water bowl	Plastics
9	Pressure regulating screw/ Screw set	Free-cutting steel
10	Spring	SWC
11	Octagonal caps	Aluminum alloy
12	Valve stem	Brass
13	Spring	SUS304
14	Water separator propeller	Plastics
15	Valve core	Plastics
16	Water baffle	Plastics

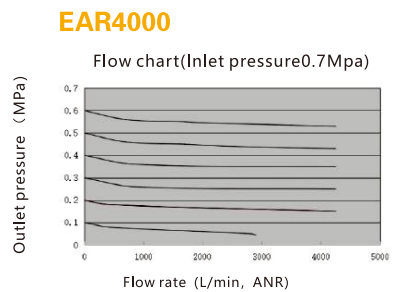
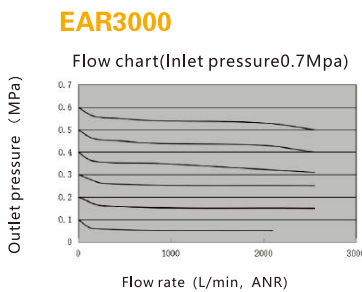
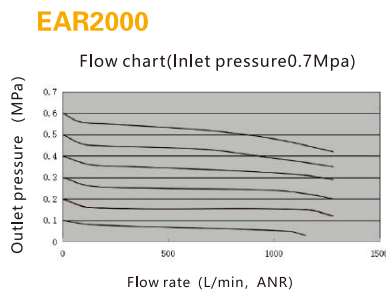


No.	Part Name	Material
1	Pressure regulating handle	Plastics
2	Pressure regulating valve cover	Plastics
3	Marking ring	Plastics
4	Pressure regulating spring seal	Plastics
5	Cover plate	Plastics
6	Valve body	Aluminum alloy
7	Seal	NBR
8	Valve seat cover	Plastics
9	Screw	Mild steel
10	Pressure regulating screw/ Screw set	Free-cutting steel
11	Spring	SWC
12	Octagonal caps	Plastics
13	Diaphragm	NBR
14	Interline	Plastics
15	Valve stem	Brass
16	Valve core	6061+NBR
17	Spring	Plastics
18	Pressure regulating valve seat	Plastics

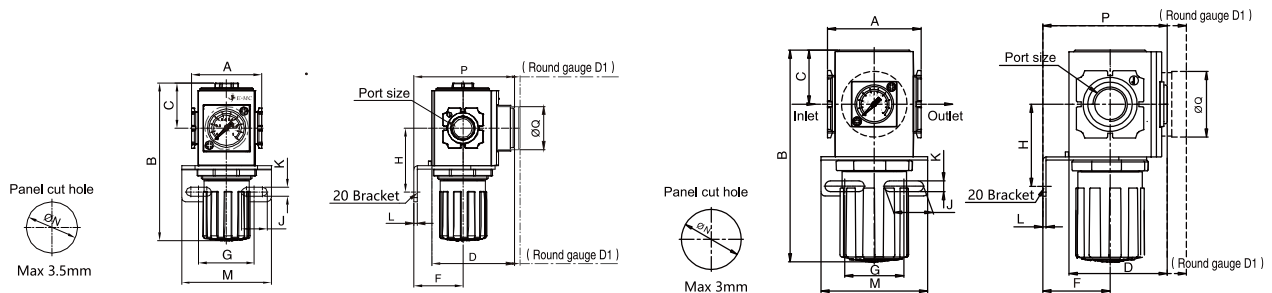
Pressure Feature



Flow Chart

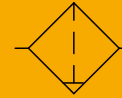


Main Dimensions



Model	Port Size	A	B	C	D	D1	F	G	H	J	K	L	M	N	P	P1	Q
EAR2000	1/8", 1/4"	43	96.3	27.5	50.6	54	30	34	39	15.5	5.5	2	55	31.5	61.6	65	26.5
EAR3000	1/4", 3/8", 1/2"	57	129.1	33	61.6	73.3	41	36	50	24	6.5	2	65	36.5	75.8	87.5	40
EAR4000	3/8", 1/2", 3/4"	80	141.6	36	81.8	93.5	50	38	53	28	8.5	2.5	72	52.5	95	106.7	40

EAL2000 EAL3000 EAL4000 Lubricator



Specifications

Model	EAL2000-01	EAL2000-02	EAL3000-02	EAL3000-03	EAL3000-04	EAL4000-03	EAL4000-04	EAL4000-06
Working Medium	Clean Air(after 40 μ m filtration)							
Proof Pressure(MPa)	1.5							
Working Pressure Range(MPa)	0.05-1.0							
Working Temperature(°C)	-5-60 (No freezing)							
Recommended Oil	Turbine No.1 Oil ISO VG32							
Bowl Material	PC(Polycarbonate)							
Oil Bowl Capacity(CC)	30		76			183		
Weight(g)	114		279			528		

How to Order?

Series No.	Port Size	Bracket Code	Thread Type
EAL2000:EA2000 series lubricator EAL3000:EA3000 series lubricator EAL4000:EA4000 series lubricator	2000 01: 1/8" 02: 1/4" 02: 1/4" 3000 03: 3/8" 04: 1/2" 4000 03: 3/8" 04: 1/2" 06: 3/4"	Blank: With bracket J: No bracket	Blank: G P: PT T: NPT

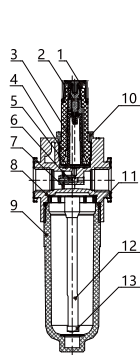
Order Example:

EA series lubricator, port size of 1/2", with bracket, G thread,
the ERP code is: EAL3000-04

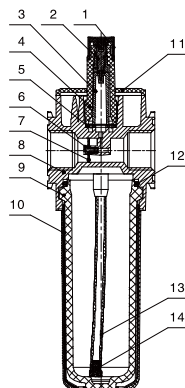
EAL Series Air Preparation Unit



Internal Structure



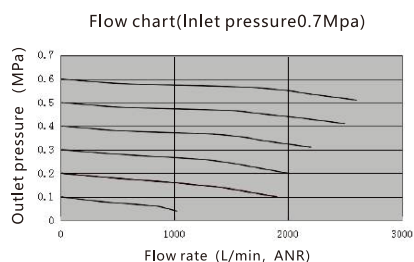
No.	Part Name	Material
1	Adjusting screw cap	Plastics
2	Oil flow adjusting unit	Brass
3	Oil dripping tube	Plastics
4	Oil window	Plastics
5	Seal	NBR
6	Bolt brass	Brass
7	Baffle	NBR
8	Valve body	Aluminum alloy
9	Water bowl	Plastics
10	Lubricator cover plate	Plastics
11	Sealing	NBR
12	Pipe	PU
13	Filter element	Brass



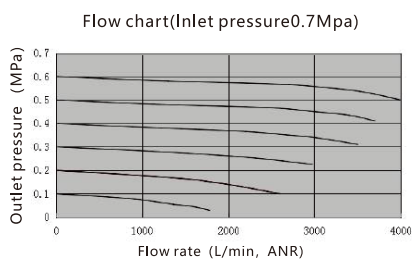
No.	Part Name	Material
1	Adjusting screw cap	Plastics
2	Oil flow adjusting unit	Brass
3	Oil dripping tube	Plastics
4	Oil window	Plastics
5	Seal	NBR
6	Bolt brass	Brass
7	Baffle	NBR
8	Valve body	Aluminum alloy
9	Water bowl	Plastics
10	Protection guard	Plastics
11	Lubricator cover plate	Plastics
12	Sealing	NBR
13	Pipe	PU
14	Filter element	Brass

Flow Chart

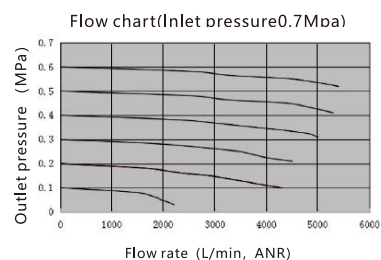
EAL2000



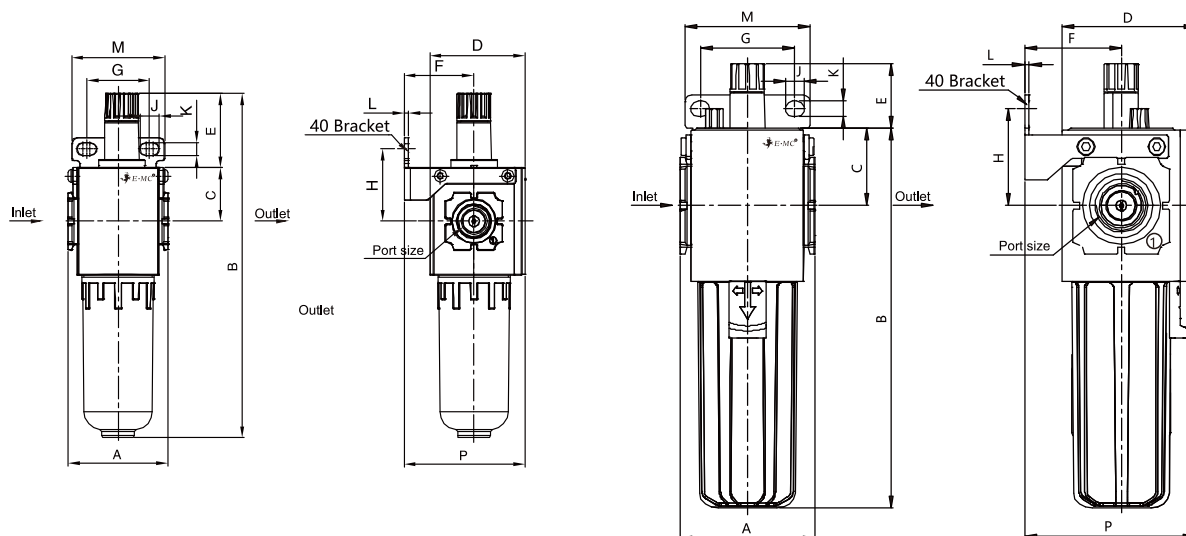
EAL3000



EAL4000



Main Dimensions



Model	Port Size	A	B	C	D	E	F	G	H	J	K	L	M	P
EAL2000	1/8", 1/4"	43	147.9	23	41	31.9	30	27	31	8.4	5.4	2	40	52
EAL3000	1/4", 3/8", 1/2"	57	188	33	58.2	27	41	40	41	8	6.5	2	53	72.4
EAL4000	3/8", 1/2", 3/4"	80	216.5	36	78.9	27	50	54	44	12	8.5	2.5	73	92.1

EA Series Air Preparation Unit- Accessories

How to Order?

Square pressure gauge

Series No.	Pressure Range	Scale Unit
EAC2000-FB: EA2000 series special square pressure gauges	010: 0~1.0 Mpa 0~10 Bar 0~150 Psi	1: MPa 2: Bar 3: Psi
EAC-FB: EA3000/EA4000 series special square pressure gauges		

Order Example:

EA 3000 series special square pressure gauge, pressure range: 0~1.0Mpa, scale:MPa, the ERP code is EAC-FB0101

Round pressure gauge

Series No.	Dial Diameter	Pressure Range	Scale Unit	Case Material	Case Color	Fitting Material	Port Size
EAC-EYZ: EA series special round pressure gauges	26 : 26.5mm (Used in the EA2000 series) 40 : 40mm (Used in the EA3000 /4000series)	010:0~1.0MPa/0~150Psi 0~10Bar/0~150Psi	4:MPa/Psi 5:Bar/Psi	1: The plastic shell(26) 2: The iron shell(40)		Blank:Brass	M6:M6
					B:Black		

Order Example:

EA series special round pressure gauge, diameter is 40mm, pressure range:0-1.0Mpa/0-150psi, scale is Mpa/Psi, black metal shell, brass fitting, port size is M6, the ERP code is EAC-EYZ4001041B-M6

Cross Spacer

Series No.	Type No.	Port Size	Thread Type
EA200:EA2000 series spacer	1: 1000 series ①	2000 01: 1/8"	Blank: G
EA300:EA3000 series spacer	2: 2000 series	----- 02: 1/4"	P: PT
EA400:EA4000 series spacer	3: 3000 series	3000 02: 1/4"	T: NPT
	4: 4000 series	----- 03: 3/8"	
		----- 04: 1/2"	
		----- 03: 3/8"	
		4000 04: 1/2"	
		----- 06: 3/4"	

Order Example:

EA 3000 series cross spacer, 2 way, port size of 1/4", G thread, the ERP code is: EA3002-02

Note: ① It means cross spacer prot qty, not including inlet/outlet port;
If use cross spacer together with EAC series F.R.L or FR.L should mount together with T type bracket.

② Refer to the order code of T type bracket for details

Product Features

- Mount between filter regulator/regulator and lubricator of EA series, to branch air supply line;
- Could be used with T type bracket or used seperately

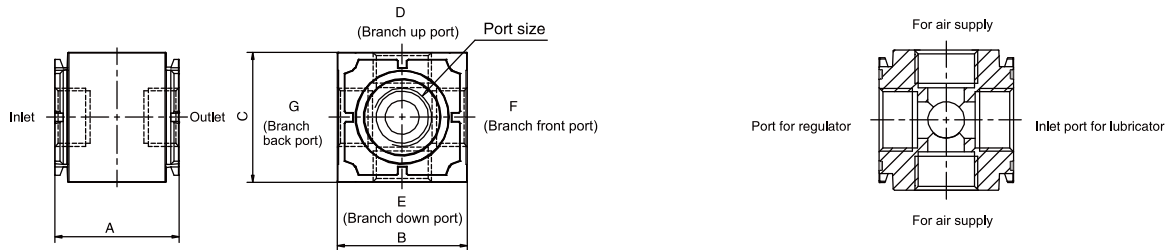
Specifications

Model	EA200 □	EA300 □	EA400 □
Working Medium	Clean Air(after 40 μ m filtration)		
Guaranteed Pressure(MPa)	1.5		
Max. Working Pressure(MPa)	1.0		
Weight(g)	70	180	350

EA Series Air Preparation Unit- Accessories



Internal Structure



Dimensions and Ports

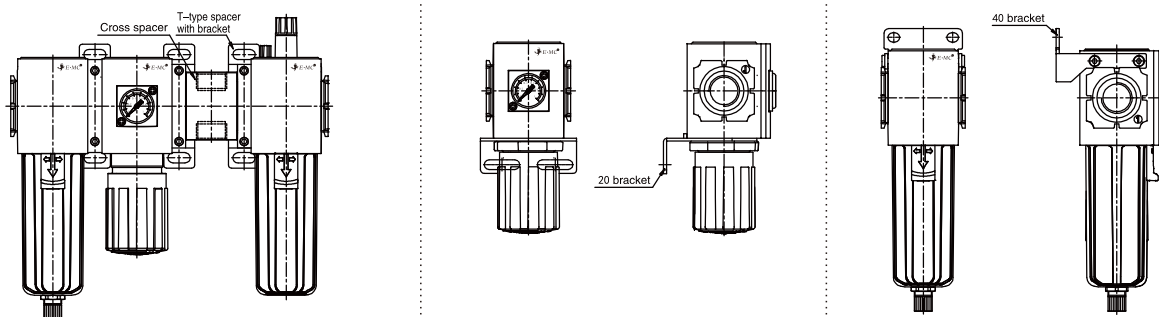
Model	Port size	A	B	C
EA200	1/8", 1/4"	34	34	34
EA300	1/4", 3/8", 1/2"	44	46	46
EA400	3/8", 1/2", 3/4"	56	58	58

Model			D	E	F	G
EA2001	EA3001	EA4001	Through hole	Blind hole	Blind hole	Blind hole
EA2002	EA3002	EA4002	Through hole	Through hole	Blind hole	Blind hole
EA2003	EA3003	EA4003	Through hole	Through hole	Through hole	Blind hole
EA2004	EA3004	EA4004	Through hole	Through hole	Through hole	Through hole

Mounting Accessories

Model	Code	Dimensions	Applicable product specifications	
T-type spacer with bracket	EAC20T-P01		EAC2000	EAC2010
	EAC30T-P01		EAC3000	EAC3010
	EAC40T-P01		EAC4000	EAC4010
20-type bracket	EAC220-P01		EAW2000	EAR2000
	EAC320-P01		EAW3000	EAR3000
	EAC420-P01		EAW4000	EAR4000
40-type bracket	EAC240-P01		EAF2000	EAL2000
	EAC340-P01		EAF3000	EAL3000
	EAC440-P01		EAF4000	EAL4000

Accessories Application Example



EAFM/EAFD Series High Cleaning Mist Separator

EAFM/EAFD

High Cleaning Mist Separator



Product Features

1. Low pressure loss, filtration efficiency over 99%.
2. Filter precision 0.3 μ m, 0.01 μ m optional.
3. Manual, Semi-auto, Auto three drain type optional.
4. Single unit optional use fixed bracket installation, combination unit can match with EMC EA series F.R.L or F.R.L.

Specification

Model	EAFM/EAFD2000-01	EAFM/EAFD2000-02	EAFM/EAFD3000-02	EAFM/EAFD3000-03	EAFM/EAFD3000-04	EAFM/EAFD4000-03	EAFM/EAFD4000-04	EAFM/EAFD4000-06
Working Medium	Air							
Port Size	1/8"	1/4"	1/4"	3/8"	1/2"	3/8"	1/2"	3/4"
Guaranteed Pressure(Mpa)	1.5							
Max.Working Pressure(Mpa)	0.15~1.0							
Filter precision (μ m)	EAFM	0.3 μ m						
	EAFD	0.01 μ m						
Working Temperature($^{\circ}$ C)	-5~60(No freezing)							
Weight (g)	120		330			610		

How to order

Series No.	Body Size	Port Size	Drain Type	Bracket Code	Thread Code
EAFM:EAFM Series high cleaning mist separator (Filter precision 0.3 μ m)	2000	01: 1/8" 02: 1/4"	Blank: Manual drain type C: Semi-auto drain type	Blank: With bracket J: No bracket	Blank: G P: PT T: NPT
EAFD:EAFD Series high cleaning mist separator (Filter precision 0.01 μ m)	3000	02: 1/4" 03: 3/8" 04: 1/2"			
	4000	03: 3/8" 04: 1/2" 06: 3/4"			

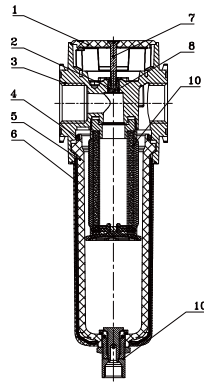
How to order: EAFM Series high cleaning mist separator, body size 3000, port size 1/4, manual drain type, with bracket, G thread, order code: EAFM3000-02

Note①: The EAFM/EAFD2000 series is only available in manual drainage models.

EAFM/EAFD Series High Cleaning Mist Separator



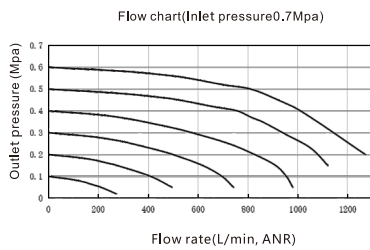
Internal Structure



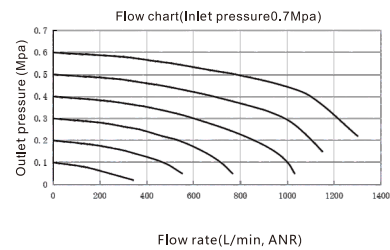
NO.	Part Name	Material
1	Valve	Plastics
2	Seal pillar	Aluminum alloy
3	Valve body	Aluminum alloy
4	O-ring	NBR
5	Water bowl	Plastics
6	Protection guard	Plastics
7	Screw	Mild steel
8	O-ring	NBR
9	Filter element	Modular
10	Drain modular	Modular

Flow Chart (Typical Value)

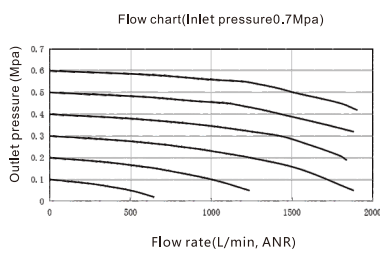
EAFD2000



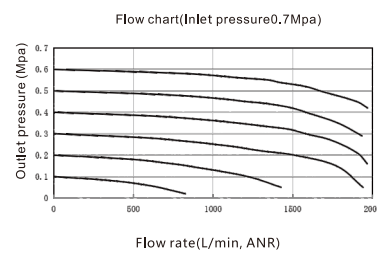
EAFM2000



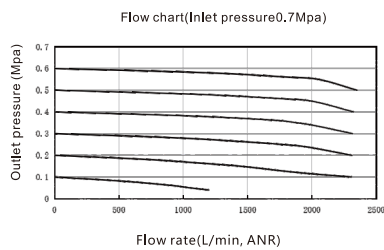
EAFD3000



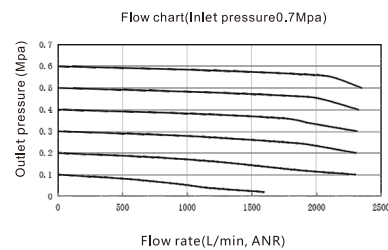
EAFM3000



EAFD4000



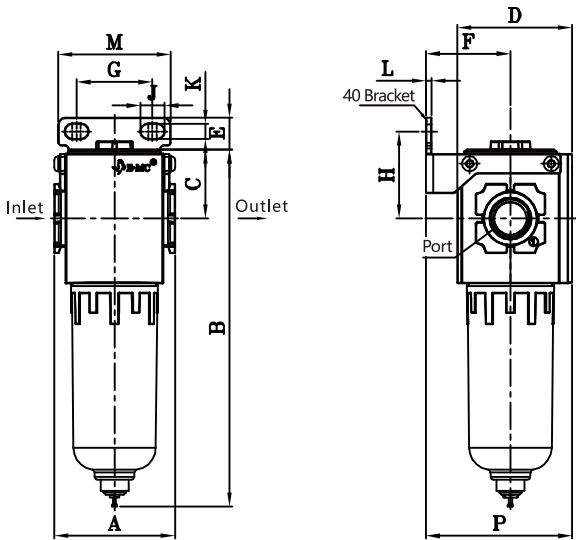
EAFM4000



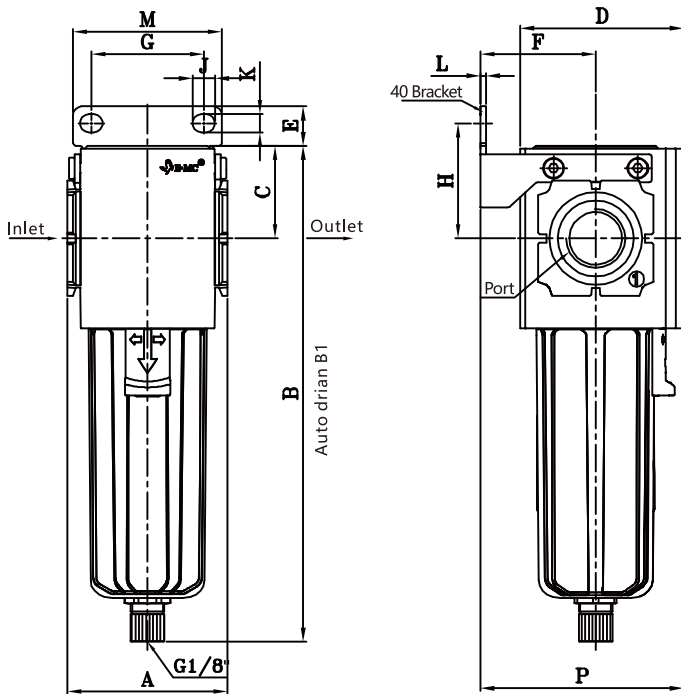
EAFM/EAFD Series High Cleaning Mist Separator

Main Dimension

EAFM/EAFD2000



EAFM4000/EAFD3000



Model	Port Size	A	B	B1	C	D	E	F	G	H	J	K	L	M	P
EAFM/EAFD2000	1/8"-1/4"	43	127.1	-	24.5	41	11.5	30	27	31	8.4	5.4	2	40	52
EAFM/EAFD3000	1/4"-1/2"	57	176.5	173.5	33	58.2	14	41	40	41	8	6.5	2	53	72.4
EAFM/EAFD4000	3/8"-3/4"	80	200.8	195.1	36	78.9	17	50	54	44	12	8.5	2.5	73	92.1

EAS Manually Operated Check Valve



EAS3000

Manually Operated Check Valve



Product Features

- Modular Design, could combine with EA3000 series by using the bracket.
- This valve can be used as a manual 3/2 ways check valve
- Switching position (EXH./SUP.) is immediately recognizable
- Standards for operator installation: when repairing and maintaining machinery, Residual pressure relief valve can be used to eliminate residual pressure while closing the air source. In this case, unintentional manipulation by a third party can cause a sudden movement of the rear line pressure, cylinders, etc., which can lead to injury. Therefore, the provisions: all used for this purpose must be locked, to prevent the third party unintentional operation resulting in damage to the operator;
- In addition to the standard type, a pressure gauge type is available (square or round), If needs, please contact E.MC for customization

How to Order?

Series No.	Port size	Bracket Code	Thread Type
EAS3000	02:1/4" 03:3/8" 04:1/2"	Blank: with bracket J: No bracket	Blank: G P: PT T: NPT

Order Example:

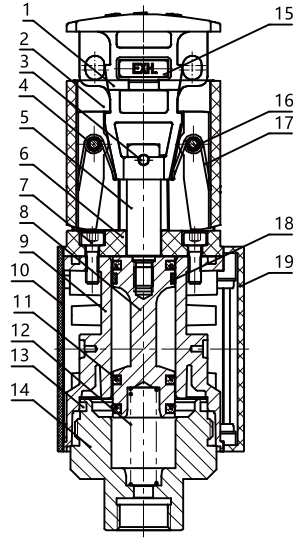
EAS3000 manually operated check valve, 1/4" port size, with bracket , G thread
ERP code is EAS3000-02

Specifications

Model	EAS3000-02	EAS3000-03	EAS3000-04
Working medium	Clean air(After 40 μ m filtration)		
Port size	1/4"	3/8"	1/2"
EXH. port size	3/8"		
Guaranteed pressure(MPa)	1.5		
Working pressure range(MPa)	0 ~ 0.9		
Acting type	Manual		
Positions	3/2ways		
Working temperature(°C)	-5~60(No freezing)		
Weight(g)	284	277	270

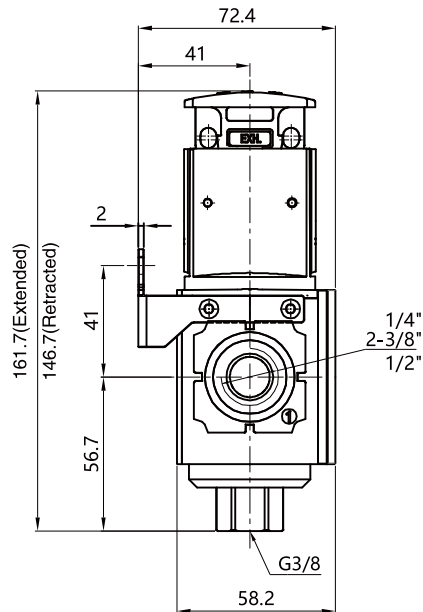
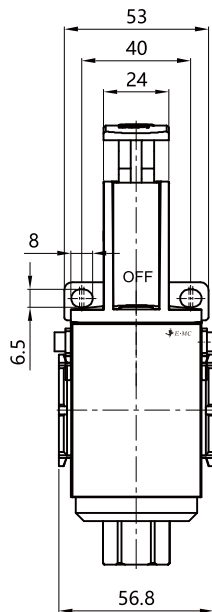
EAS2000 series and EAS4000 series are coming soon.

Internal Structure



No.	Name	Materials
1	The locking handle	ABS
2	Push Button	ABS
3	Handle pin	Stainless steel
4	Scroll casing	Stainless steel
5	Connecting rod	Aluminium Alloy
6	Handle bracket	ABS
7	Hexagon socket cap screws	Medium Carbon Steel
8	Spool	Aluminium Alloy
9	Valve body	Aluminium Alloy
10	Rear panel	ABS
11	Piston seal	NBR
12	Return spring	Stainless steel
13	O-ring	NBR
14	Seal set	Aluminium Alloy
15	Sticker	Plastics
16	Button pin	Stainless steel
17	Returning torsion spring	Stainless steel
18	Wear Ring	ABS
19	Plate	ABS

Main Dimension



EPR Precision Pressure Regulator



EPR2000/3000/4000

Precision Pressure Regulator



Product Features

- High precision , sensitive response.
- Steady output pressure.
- Large flow rate and steady flow output.
- Easy installation : Independent installation by bracket ; Bottom installation; Direct installation with existing modular air preparation.
- High pressure type, medium pressure type and low pressure type optional.

How to Order?

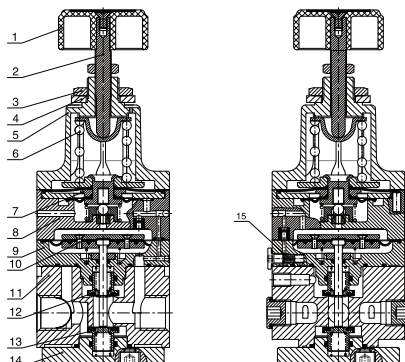
Series No.	Port Size	Pressure Range	Pressure Gauge Code	Bracket Code	Scale Unit	Thread Type
EPR2000	2000 01:1/8"	L : 0.005 ~ 0.2MPa	Blank: With pressure gauge	Blank: With bracket	4: MPa/psi	Blank: G
EPR3000	3000 02:1/4"	M: 0.01 ~ 0.4MPa	N: No pressure gauge	J: No bracket		P: PT
EPR4000	4000 02:1/4" 03:3/8" 04:1/2"	H: 0.01 ~ 0.8MPa				T:NPT

Order Example: EPR3000 high precision regulator , 1/4" port, pressure range 0.01–0.8MPa , with gauge.with bracket.scale unit MPa/psi,G thread.
ERP code is EPR3000–02H

Specifications

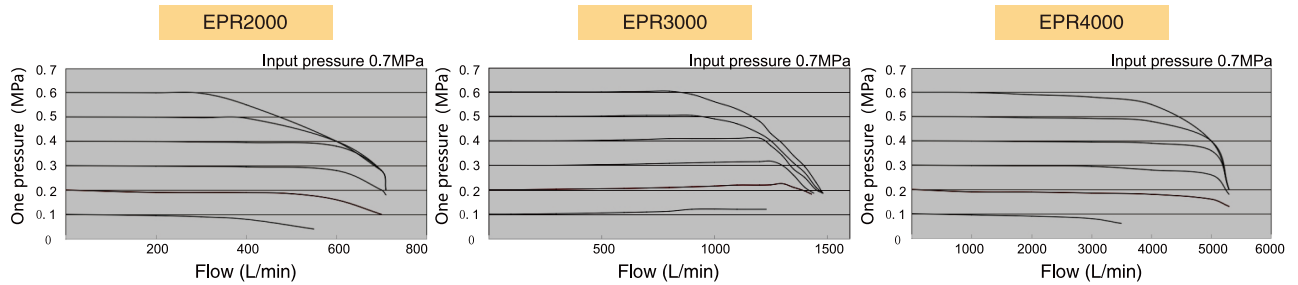
Model No.	EPR2000–01	EPR3000–02	EPR4000–02	EPR4000–03	EPR4000–04
Working Medium	Clean air(After 5 μm filtration)				
Max. Supply Pressure(Mpa)	1.0				
Min. Supply Pressure(Mpa)	Setting pressure+0.05		Setting pressure+0.1		
Proof Pressure(Mpa)	1.5				
Set Pressure	Low Pressure	L:0.005 ~ 0.2MPa		L:0.01 ~ 0.2MPa	
	Medium Pressure	M:0.01 ~ 0.4MPa			
	High Pressure	H:0.01 ~ 0.8MPa			
Sensitivity	Within 0.2% of full scale				
Repeatability	Within ±0.5% of full scale				
Air Consumption	≤4.4L/min (ANR)		≤11.5L/min (ANR)		
Port Size	1/8"	1/4"	1/4"	3/8"	1/2"
Pressure Gauge Port Size	G1/8(2 locations)				
Working Temperature(°C)	–20~70 (No freezing)				
Weight(g)	140	420	710		

Internal Structure

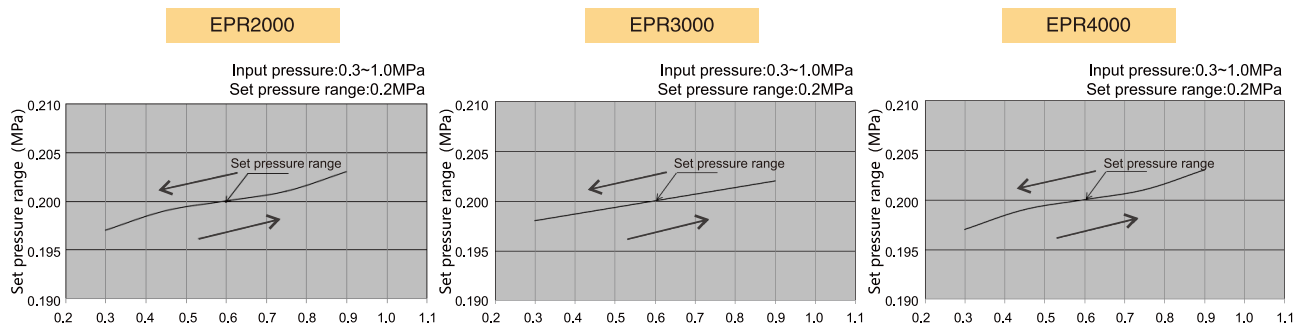


No.	Part Name	Material
1	Pilot regulate button	Plastic
2	Pilot regulate axle	Carbon steel
3	Hex nut	Free Machining Steel
4	Flat washer	SPCC
5	Pilot regulate seat	Aluminum
6	Spring	Spring steel
7	Pilot diaphragm assy	Assy
8	Nozzle	Aluminum
9	Middle valve body	Aluminum
10	Main regulate diaphragm	Assy
11	Main valve body	Aluminum
12	Exhaust valve core	Assy
13	Inlet valve core	Assy
14	Bottom cover	Aluminum
15	Filter element	High polymer material

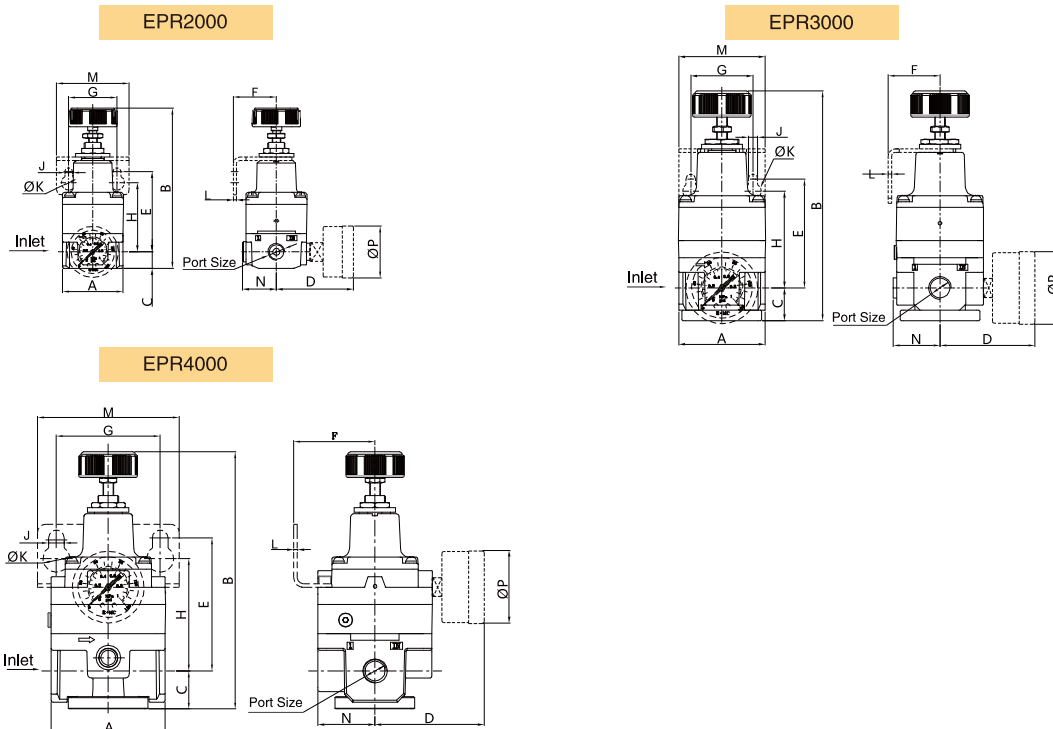
Flow Chart



Pressure Characteristic Diagram



Main Dimension



Model	Port Size	A	B	C	D	E	F	G	H	J	K	L	M	N	P
EPR2000	1/8"	35	93	9.5	44.5	46.5	25	28	40	4.5	8.5	2	42	19.5	30
EPR3000	1/4"	50	133	19	55	63	30	36	56	5.5	9.5	2	50	27	42
EPR4000	1/4", 3/8", 1/2"	66	149	22	63.5	77	47	60	65	9	15.5	2	82	33	42

ETV Electro-Pneumatic Proportional Regulator



ETV3000/4000

Electro-Pneumatic Proportional Regulator



Product Features

- Adopt 32-bits CPU, special closed-loop control algorithm to realize the rapid response and precise control effectively;
- Control precision is $\leq \pm 0.5\%$;
- Adopt high-precision built-in pressure sensor to improve control precision effectively;
- Three-color digital display LCD, real-time display actual pressure and setting pressure simultaneously, convenient to confirm and adjust on site;
- Easy to change 4 pressure units(Mpa,Bar,Psi,Kpa)at any time;
- Self-diagnosis;
- Error indication failure alarm;
- 4-pins M12A standard (male) fieldbus connector;
- Easy assembling and operating;
- The built-in filter can be easily removed for cleaning or replacement;
- The valve body made by microdiecast technology;
- Large flow rate;
- Protection class IP65;

How to order?

Series No.	Valve body size	Port size	Pressure range	Input signal	Monitor output	Port size	Bracket	Cable connector type
3000: 3000 Series	3000 Series	02:1/4" 03:3/8" 04:1/2"	30: 0-0.5MPa/0-5bar/ 0-72psi/0-500KPa	0: 4-20mA 3: 0-10V	1: 1-5V 4: 4-20mA	Blank: G P: PT T: NPT	Blank: Without bracket B: Flat bracket C: L-bracket	Blank: Without cable connector L: Right angle type 2m S: Straight type 2m
4000: 4000 Series	4000 Series	03:3/8" 04:1/2"	50: 0-0.9MPa/0-9bar/ 0-130psi/0-900KPa	0: 4-20mA 3: 0-10V	1: 1-5V 4: 4-20mA 1: 1-5V 2: 24V NPN 3: 24V PNP			

ETV:ETV series
Electro-Pneumatic
proportional regulator

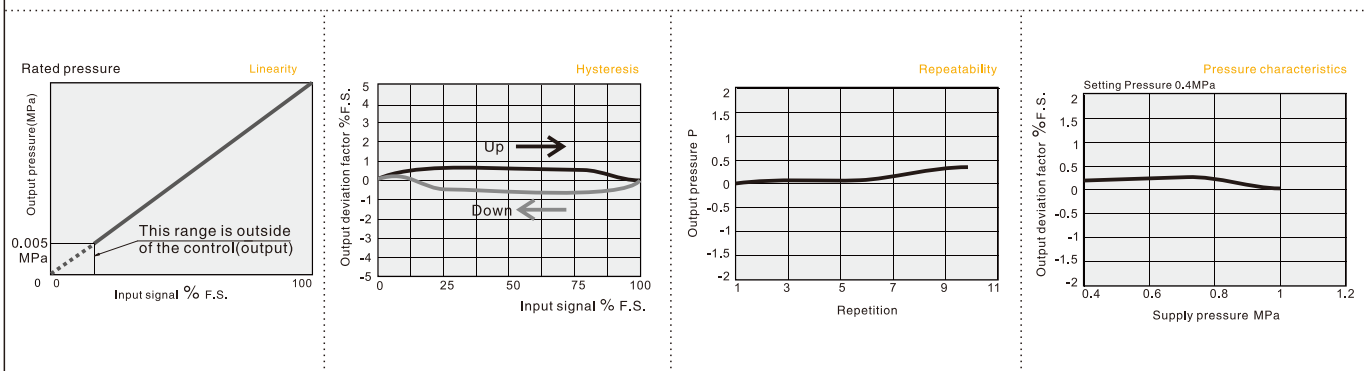
Order Example: ETV series Electro-Pneumatic Proportional Regulator, valve body3000, port size1/4", output pressure 0-0.9MPa,input signa 0-10V, Monitor output1-5V,port size G,Flat bracket,straight type 2m, ERP code is: ETV3000-025031-BS.

ETV Series Assessoris Order Code

Cable connector Name	Order code	Bracket Name	Order code
4-pins M12A standard Straight type 2m	M124R-PVC-2M	Flat bracket	FJ-ETV-FA
4-pins M12A standard Right angle type 2m	M124RL-PVC-2M	L-bracket	FJ-ETV-LB

Note: Normal cable connector length is 2m,any other model need to be customized production,max length 10m.

Characteristic Parameters Curve



Specifications

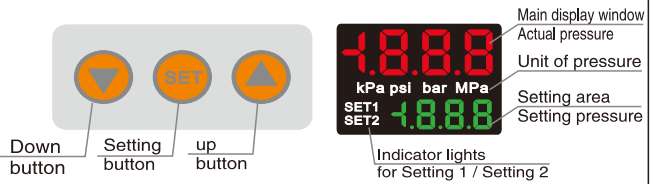
Model	ETV3000-02	ETV3000-03	ETV4000-03	ETV4000-04
Port size	G1/4	G3/8	G3/8	G1/2
Flow rate (Cv)	1.5	2.0	2.5	3
Pressure range	0-0.9MPa			
Input signal	0-10V or 4-20mA(sink)			
Monitor output	4-20mA(sink) / 1-5V			
Connector type	4-pins M12A standard(Male)			
Supply Voltage	DC24V ± 10%			
Power	≤ 3W			
Enclosure	IP65 (DIN40050)			
Working temperature	0-50°C			
Working medium	Clear air(After 5µm filtration)			
LCD display	Set pressure and actual pressure display at the same time			
Valve body	Aluminium alloy			
Installation position	Random direction			
Max input pressure	1.0MPa			
Min input pressure	bigger than max output pressure by 0.1Mpa			
Accuracy	≤ ± 0.5%			
Linearity	≤ 1.0%F.S.			
Repeatability	≤ ± 0.5%F.S.			
Hysteresis	≤ 0.5%F.S.			

Wiring

Definition	Electrical connection	
PIN number	Cable color	Analog input type
PIN1	Brown	+24VDC
PIN2	White	Positive pole of control singa
PIN3	Blue	Negative pole of power
PIN4	Black	Monitor singal

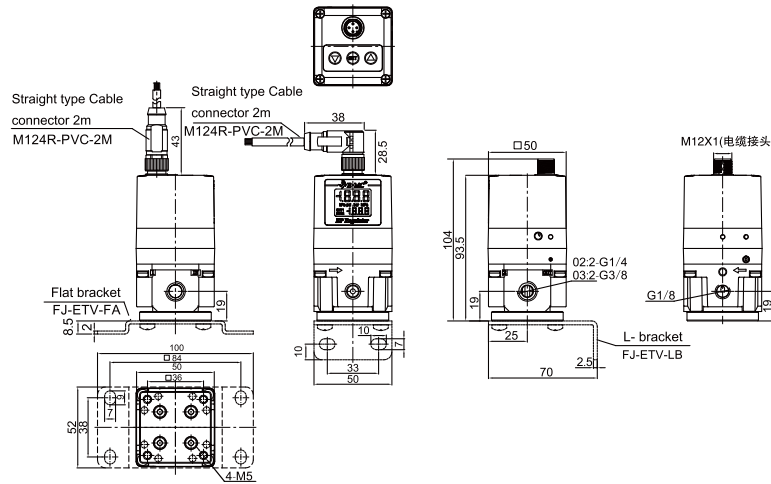


Button & LCD Screen

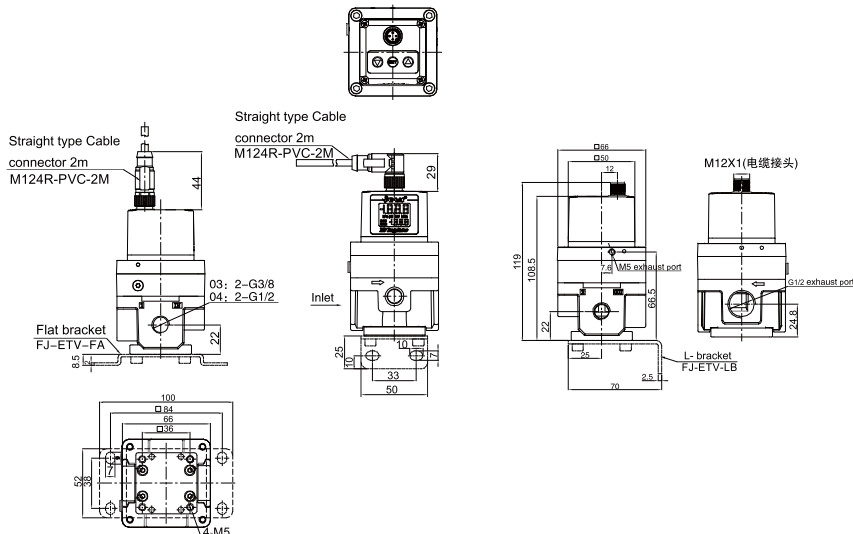


Main Dimension

ETV3000



ETV4000



EI Series Air Preparation Unit



How to Order?

Series No.	Type Code	Body Size	Combination QTY	Port Size	Drain Type	Pressure Gauge Code	Bracket Code	Scale Unit	Filter Precision	Thread Type
EI: Square gauge series	C: Filter+regulator+lubricator W: Filter+regulator F: Filter R: Regulator L: Lubricator	20: 2000 body 30: 3000 body 40: 4000 body 50: 5000 body	10: Two units (Regulator+Lubricator) 00: Others	2000 01: 1/8" 02: 1/4" 3000 02: 1/4" 03: 3/8"	4000 04: 1/2" 5000 06: 3/4" 10: 1"	Blank: Manual drain type C: Semi-auto drain D: Auto Drain type Blank: With pressure gauge N: No pressure gauge	Blank: With bracket J: No bracket	1: Mpa 2: Bar *3: Psi (*Need special made)	Blank: 25 μm 5M: 5 μm	Blank: G P: PT T: NPT

Order Example:

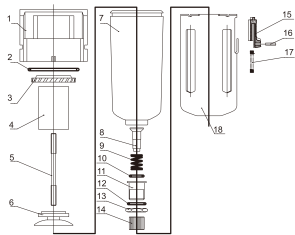
EI series regulator, 2000 body size, 1/8 port size, with pressure gauge, Mpa pressure unit, G thread, ERP code is: EIR2000-01 1

Note: ①2000series is optional for manual/auto drain type;

Standard 3000/4000/5000series are optional for manual/semi-auto/semi-auto integrated drain type.

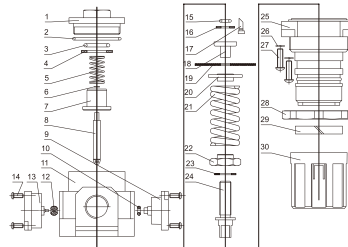
Air Preparation Unit Kits

EIF3000



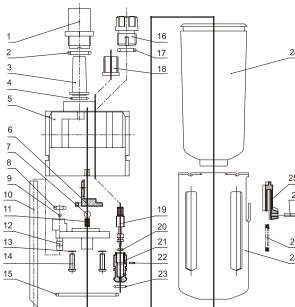
NO.	NAME	QTY	MATERIAL
18	Lock	1	ABS
17	Pin	1	ABS
16	Spring	1	Stainless steel
15	Metal bowl	1	Steel plate
14	Nut	1	HPb59-1
13	Hexagon Nut	1	HPb59-1
12	O-ring	1	NBR
11	Drain valve seat	1	HPb59-1
10	O-ring	1	NBR
9	Spring	1	Stainless steel
8	Drain valve core	1	HPb59-1
7	Water cup	1	HPb59-1
6	Drain board	1	ABS
5	Cross bolt	1	Carbon steel
4	Filter element	1	Cu
3	Blade	1	ABS
2	O-ring	1	NBR
1	Filter body	1	ADC12

EIR3000



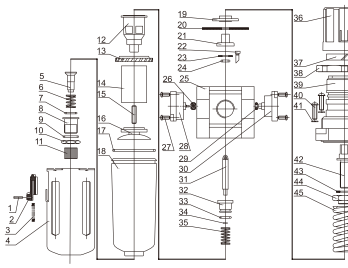
NO.	NAME	QTY	MATERIAL
30	Regulate hands	1	Reinforce nylon
29	Symbol ring	1	Reinforce nylon
28	plastic combination	1	POM
27	Cross screw	4	Carbon steel
26	Spring washer	4	Carbon steel
25	Regulator Body	1	Aluminum
24	Regulate bolt	1	Carbon steel
23	Washer	1	POM
22	Regulate Nut	1	Carbon steel
21	Spring	1	Stainless steel
20	Diaphragm Plate	1	Carbon steel
19	Diaphragm	1	NBR
18	Diaphragm seal	1	Brass
17	Pipe	1	POM
16	Retainer ring	1	Steel plate
15	O-ring	1	NBR
14	Cross screw	4	Carbon steel
13	Plastic connection	1	POM
12	Seal	1	NBR
11	Regulator body	1	Aluminum
10	Seal	1	NBR
9	Connection	1	ABC12
8	Spool	1	Brass+NBR
7	valve core	1	Brass
6	Retainer ring	1	Steel plate
5	Spring	1	Stainless steel
4	Retainer ring	1	Steel plate
3	O-ring	1	NBR
2	O-ring	1	NBR
1	Regulator seat	1	ZZnAl4-1

EIL3000



NO.	NAME	QTY	MATERIAL
28	Oil cup	1	Polycarbonate
27	Lock	1	ABS
26	Pin	1	ABS
25	Spring	1	Stainless steel
24	Metal bowl	1	Steel plate
23	O-ring	1	NBR
22	Pin	1	Q235
21	Oil regulate seat	1	HPb59-1
20	O-ring	1	NBR
19	Oil regulate needle	1	HPb59-1
18	Oil regulate pointer	1	ABS
17	O-ring	1	NBR
16	Plug	1	ABS
15	O-ring	1	NBR
14	Cross screw	2	Q235
13	Spring washer	2	65Mn
12	One way valve plate	1	POM
11	Spring	1	Stainless steel
10	Pipe	1	PU tube
9	Steel ball	1	Q235
8	O-ring	1	NBR
7	Steel ball	1	Q235
6	Reed	1	Polycarbonate
5	Lubricator body	1	ADC12
4	O-ring	1	NBR
3	Oil drop tube	1	Polycarbonate
2	O-ring	1	NBR
1	Oil window	1	Polycarbonate

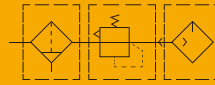
EIW3000



NO.	NAME	QTY	MATERIAL
45	Spring	1	Carbon steel
44	Regulate nut	1	Carbon steel
43	Washer	1	POM
42	Regulate bolt	1	Carbon steel
41	Spring washer	4	Carbon steel
40	Cross screw	4	Carbon steel
39	Valve cover	1	Reinforce nylon
38	Nut	1	Reinforce nylon
37	Symbol ring	1	Reinforce nylon
36	Regulate hands	1	Reinforce nylon
35	Spring	1	Stainless steel
34	Retainer	1	Steel plate
33	O-ring	1	NBR
32	Valve core	1	Brass
31	Spool	1	PHb59-1+NBR
30	connection	1	ABC12
29	Seal	1	NBR
28	Plastic connection	1	POM
27	Cross screw	4	Carbon steel
26	Seal	1	NBR
25	Regulator Body	1	Aluminum
24	O-ring	1	NBR
23	Retainer ring	1	Carbon steel
22	Pipe	1	POM
21	Diaphragm seat	1	Brass
20	Diaphragm	1	NBR
19	Diaphragm Plate	1	Carbon steel
18	Water cup	1	Polycarbonate
17	O-ring	1	NBR
16	Drain board	1	ABS
15	Bolt	1	Carbon steel
14	Filter element	1	ABS
13	Whirlwind blade	1	ABS
12	Over/low valve seat	1	ZZnAl4-1
11	Bowl guard	1	Carbon steel
10	Spring	1	Stainless steel
9	Lock	1	ABS
8	Pin	1	ABS
7	Nut	1	Brass
6	Hex Nut	1	Brass
5	O-ring	1	NBR
4	Drain valve	1	Brass
3	O-ring	1	NBR
2	Spring	1	Stainless steel
1	Valve core	1	Brass

4
EIC

EIC F.R.L



Specifications

Model	EIC2000	EIC3000	EIC4000	EIC5000
Proof Pressure(MPa)	1.5			
Working Pressure Range(MPa)	0.15~1.0			
Pressure Adjustment Range(MPa)	0.05~0.9			
Working temperature(°C)	-5~60			
Filter precision	25µm(5 µm is optional)			
Recommended oil	Turbine No.1 Oil ISOVG32			
Bowl material	Polycarbonate			
Bowl guard	None	Available		
Valve type	With overflow			

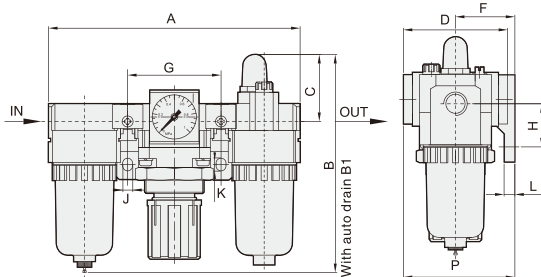
Model	Specifications			* Rated flow (L/min)	* Port size (G)
	Filter	Assembly Regulator	Lubricator		
EIC2000-01	EIF2000	EIR2000	EIL2000	1000	1/8
EIC2000-02				1100	1/4
EIC3000-02	EIF3000	EIR3000	EIL3000	1950	1/4
EIC3000-03				2105	3/8
EIC4000-04	EIF4000	EIR4000	EIL4000	5200	1/2
EIC5000-06	EIF5000	EIR5000	EIL5000	6200	3/4
EIC5000-10				6500	1

* The above information is based on 8.0 Bar supply pressure and 6.3 Bar set pressure

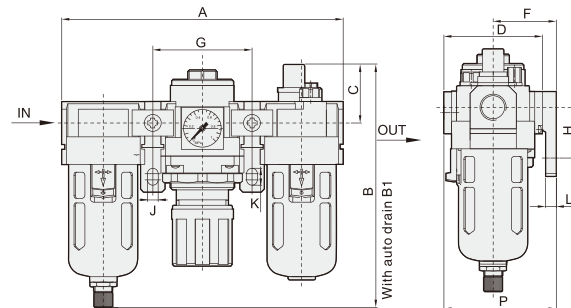
* NPT,PT port size is optional

Main Dimension

EIC2000



EIC3000-EIC5000



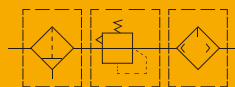
Model	Port Size (G)	A	B	B1	C	D	F	G	H	J	K	L	P
EIC2000	1/8"-1/4"	140	123	161	37.5	54	30	50	24	5.5	8.5	5	57
EIC3000	1/4"-3/8"	184	157.5	170	39	64	41	65	35	7.5	11	7.2	71
EIC4000	3/8"-1/2"	238	190	194	40	80	50	84	40	9	13	7.2	88
EIC5000	3/4"-1"	300	271.5	274.5	45.5	90	69.8	105	50	12	16	10.5	115

EI Series Air Preparation Unit



EIC

FR.L



Specifications

Model	EIC2010	EIC3010	EIC4010	EIC5010
Proof Pressure(MPa)	1.5			
Working Pressure Range(MPa)	0.15~1.0			
Pressure Adjustment Range(MPa)	0.05~0.9			
Working temperature(°C)	-5~60			
Filter precision	25µm(5 µm is optional)			
Recommended oil	Turbine No.1 Oil ISOVG32			
Bowl material	Polycarbonate			
Bowl guard	None	Available		
Valve type	With overflow			

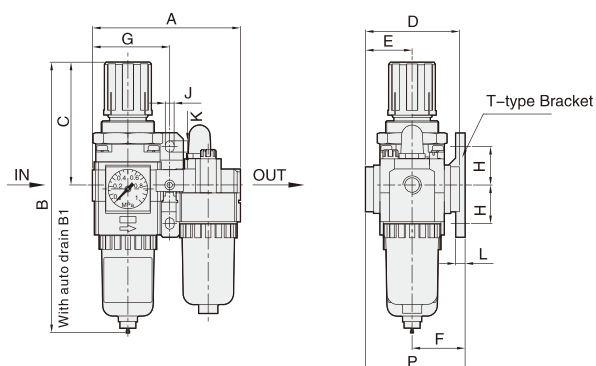
Model	Specifications			
	Assembly		* Rated flow (L/min)	* Port size (G)
Filter with pressure reducer	Lubricator			
EIC2010-01	EIW2000	EIL2000	945	1/8
EIC2010-02			960	1/4
EIC3010-02	EIW3000	EIL3000	1874	1/4
EIC3010-03			1956	3/8
EIC4010-04	EIW4000	EIL4000	5120	1/2
EIC5010-06	EIW5000	EIL5000	6000	3/4
EIC5010-10			6200	1

* The above information is based on 8.0 Bar supply pressure and 6.3 Bar set pressure

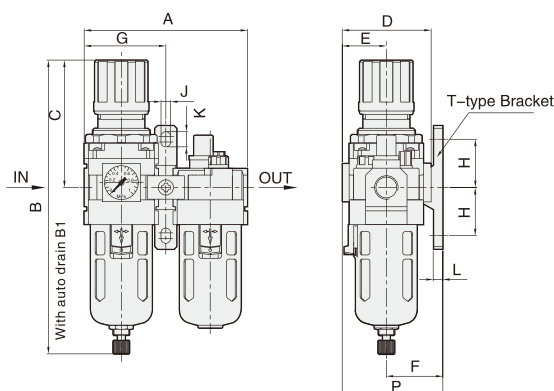
* NPT,PT port size is optional

Main Dimension

EIC2010



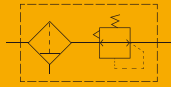
EIC3010-EIC5010



Model	Port Size (G)	A	B	B1	C	D	E	F	G	H	J	K	L	P
EIC2010	1/8"-1/4"	90	168.5	205.5	82	54	27	29.5	45	24	5.5	8.5	5	56.5
EIC3010	1/4"-3/8"	117	210.5	224.5	92	63	31.5	40	59.5	35	7.5	11	7.2	71.5
EIC4010	3/8"-1/2"	154	264	267	113.5	80	40	49.5	77	39	9	13	7.2	89.5
EIC5010	3/4"-1"	195	343	348	121.5	94	47	68.5	97.5	50	12	16	10.5	115.5

EIW

F&R



Specifications

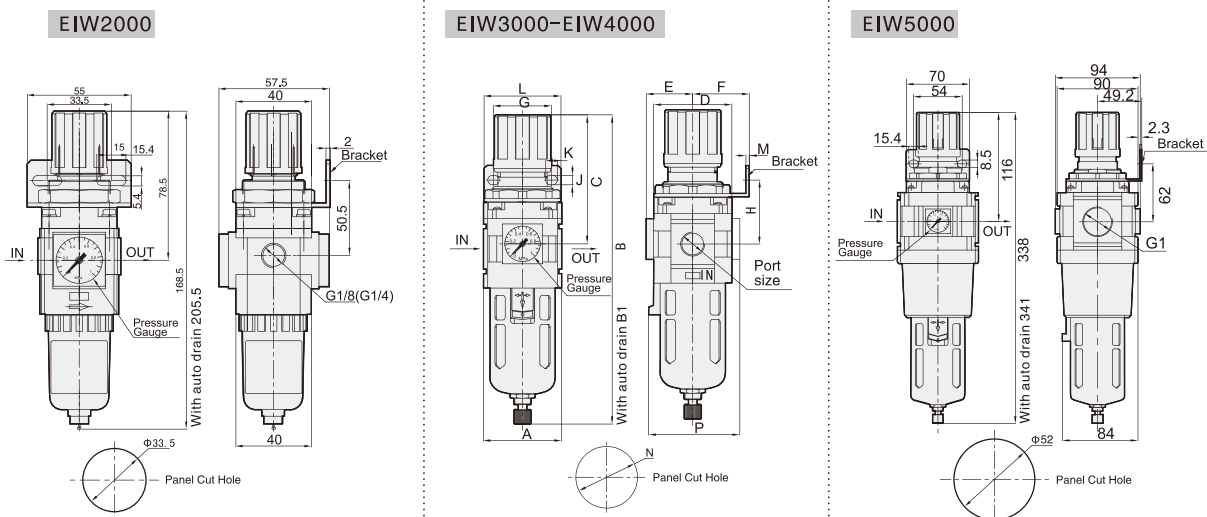
Model	EIW2000	EIW3000	EIW4000	EIW5000
Proof Pressure(MPa)	1.5			
Working Pressure Range(MPa)	0.15-1.0			
Pressure Adjustment Range(MPa)	0.05-0.9			
Working temperature(°C)	-5-60			
Filter precision	25μm(5 μm is optional)			
Bowl material	Polycarbonate			
Bowl guard(MPa)	None	Available		
Valve type	With overflow			

Model	Specifications		Drain function	Auto drain model
	*Rated flow (L/min)	*Port size(G)		
EIW2000-01	1078	1/8	Manual drain	EIW2000-01D
EIW2000-02	1165	1/4		EIW2000-02D
EIW3000-02	1998	1/4	Zero pressure drain/Manual drain	EIW3000-02D
EIW3000-03	2177	3/8		EIW3000-03D
EIW4000-04	5211	1/2		EIW4000-04D
EIW5000-06	6200	3/4		EIW5000-06D
EIW5000-10	6400	1		EIW5000-10D

* The above information is based on 8.0 Bar supply pressure and 6.3 Bar set pressure

* NPT,PT port size is optional

Main Dimension

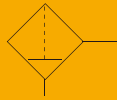


Model	Port Size (G)	A	B	B1	C	D	E	F	G	H	J	K	L	M	N	P
EIW2000	1/8"-1/4"	40	168.5	205.5	78.5	40	27	30.5	33.5	49.5	5.4	15	55	2	33	40
EIW3000	1/4"-3/8"	53	210.5	224.5	92	53	31.5	39	40	45.5	6.5	8	53	2	42	63
EIW4000	3/8"-1/2"	70	264	267	113.5	70	40	48	53.5	54.5	8.5	10.5	70	2	52	73
EIW5000	3/4"-1"	90	343	348	116.5	90	47	48	53.5	62	8.5	10.5	70	2	52	84

EIF Series Air Preparation Unit



EIF Filter



Specifications

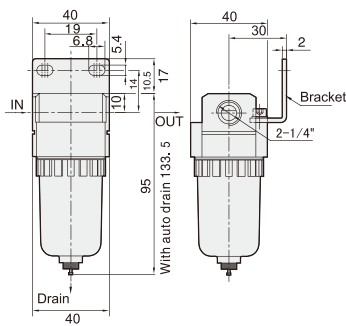
Model	EIF2000	EIF3000	EIF4000	EIF5000
Proof pressure(MPa)	1.5			
Working Pressure Range(MPa)	0.15~1.0			
Working temperature(°C)	-5~60			
Filter precision	25µm(5 µm is optional)			
Bowl material	Polycarbonate			
Bowl guard	None	Available		
Entrance pressure(MPa)	0.15~1.0			

Model	Specifications			Drain function	Auto drain model
	*Rated flow (L/min)	*Port size (G)	Bowl capacity (cm ³)		
EIF2000-01	1222	1/8	15	Manual drain	EIF2000-01D
EIF2000-02	1278	1/4			EIF2000-02D
EIF3000-02	2006	1/4	20	Zero pressure drain/Manual drain	EIF3000-02D
EIF3000-03	2148	3/8			EIF3000-03D
EIF4000-04	5430	1/2	45	Zero pressure drain/Manual drain	EIF4000-04D
EIF5000-06	8200	3/4	130		EIF5000-06D
EIF5000-10	8500	1			EIF5000-10D

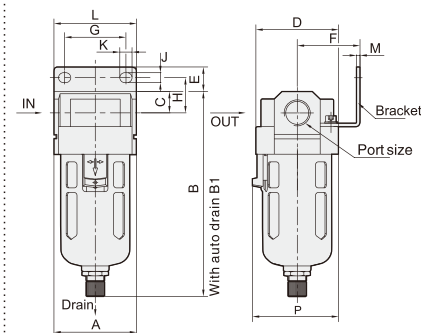
* The above information is based on 6.3 Bar supply pressure and 1.0 Bar set pressure * NPT,PT port size is optional

Main Dimension

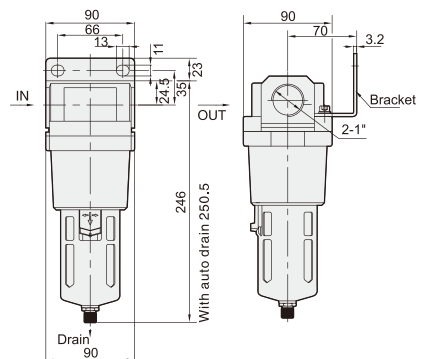
EIF2000



EIF3000-EIF4000

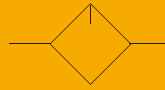


EIF5000



Model	Port Size (G)	A	B	B1	C	D	E	F	G	H	J	K	L	M	P
EIF2000	1/8"-1/4"	40	95	133.5	10.5	40	25	31	19	14	17	6.8	40	2	-
EIF3000	1/4"-3/8"	53	132.5	145	14	53	15	41.5	40	22	6.5	8	53	2	56
EIF4000	3/8"-1/2"	70	168	171.5	18	70	18	53	54	27	8.5	10.5	70	2	73
EIF5000	3/4"-1"	90	246	250	24	90	23	67	66	35	11	13	90	3	-

EIL Lubricator



Specifications

Model	EIL2000	EIL3000	EIL4000	EIL5000
Proof pressure(MPa)	1.5			
Working Pressure Range(MPa)	0.05~1.0			
Working temperature(°C)	-5~60			
Recommended oil	Turbine No.1 Oil ISOVG32			
Bowl material	Polycarbonate			
Bowl guard	None	Available		
Entrance pressure(MPa)	0.15~1.0			

Model	Specifications			
	* Minimal flow of oil drop (L/min)	* Rated flow (L/min)	* Port size(G)	Bowl capacity (cm ³)
EIL2000-01	15	1300	1/8	25
EIL2000-02		1345	1/4	
EIL3000-02	30	2310	1/4	50
EIL3000-03	40	2375	3/8	
EIL4000-04	50	5532	1/2	130
EIL5000-06	190	7700	3/4	
EIL5000-10		8000	1	

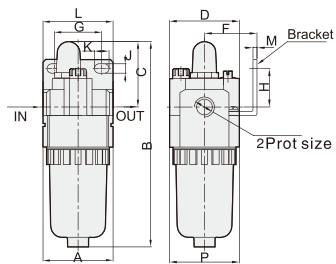
* The above information is based on 6.3Bar supply pressure, the flow of oil drop is 2-3 drops/ min, the temperature of Turbine No.1 oil is 20°C

* The above information is based on 6.3 Bar supply pressure and 1.0Bar step down

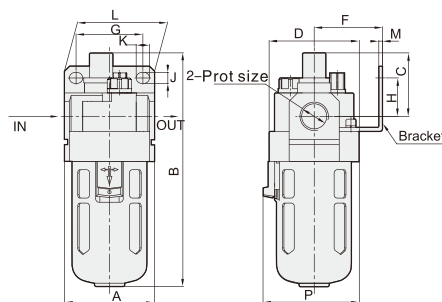
* NPT,PT port size is optional

Main Dimension

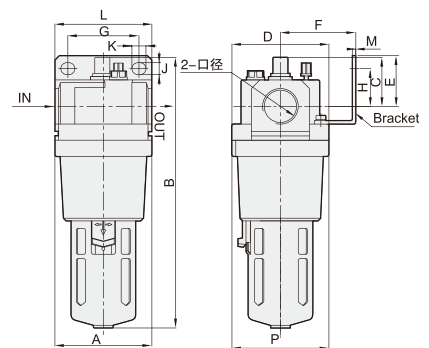
EIL2000



EIL3000-EIL4000



EIL5000

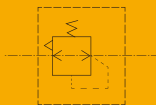


Model	Port Size (G)	A	B	C	D	F	G	H	J	K	L	M	P
EIL2000	1/8"-1/4"	40	115	37.5	40	31	19	14	17	6.8	40	2	40
EIL3000	1/4"-3/8"	53	141	39	53	41	40	23	6.5	8	53	2	56
EIL4000	3/8"-1/2"	70	175	40	70	53	54	26	8.5	10.5	70	2	73
EIL5000	3/4"-1"	90	254	45.5	90	67	66	35	11	13	90	3	90

EIR Series Air Preparation Unit



EIR Regulator



Specifications

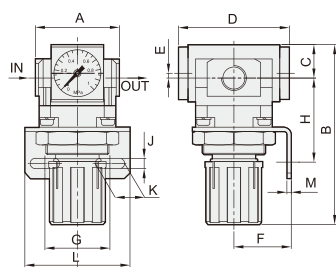
Model	EIR2000	EIR3000	EIR4000	EIR5000
Proof pressure(MPa)			1.5	
Max. working pressure(MPa)			1.0	
Pressure adjusting range(MPa)			0.05~0.9	
Working temperature(°C)			-5~60	
Valve type			With overflow	

Model	Specifications	
	* Rated flow (L/min)	* Port Size (G)
EIR2000-01	1178	1/8
EIR2000-02	1200	1/4
EIR3000-02	2112	1/4
EIR3000-03	2212	3/8
EIR4000-04	5312	1/2
EIR5000-06	6400	3/4
EIR5000-10	6600	1

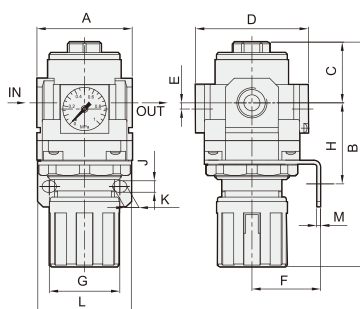
* The above information is based on 8.0 Bar supply pressure and 6.3 Bar set pressure * NPT,PT port size is optional

Main Dimension

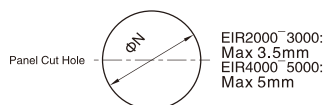
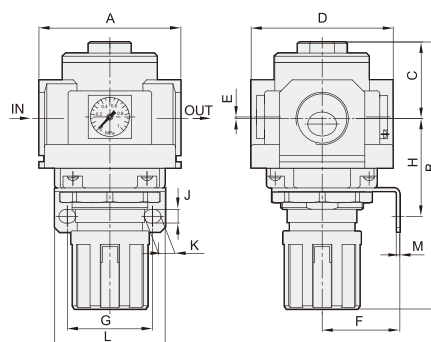
EIR2000



EIR3000-EIR4000



EIR5000



Model	Port Size (G)	A	B	C	D	E	F	G	H	J	K	L	M	N
EIR2000	1/8"-1/4"	40	95	17	55	1.3	30.5	33.5	44	5.4	15	55	2	33
EIR3000	1/4"-3/8"	53	127.5	34.5	64	3	39	40	46	6.5	8	53	2	42
EIR4000	1/2"	70	149.5	37.5	81	4	48	53.5	54.5	8.5	10.5	70	2	52
EIR5000	3/4"-1"	90	168	49	90	0.5	48	53.5	62	8.5	10.5	70	2	52

EIR-K Series Regulator with Backflow Function

EIR-K

Regulator with backflow function



How to order?

Series No.	Valve body size	Type code	Port size	Pressure Gauge code	Bracket code	Scale unit	Thread type
EIR:Regulator with square gauge		K: Backflow type		Blank: With Pressure Gauge N: Without Pressure Gauge		1: Mpa 2: Bar 3: Psi	Blank: G P: PT T: NPT
2000:2000 Series 3000:3000 Series 4000:4000 Series 5000:5000 Series		2000 3000	01: 1/8" 02: 1/4" 02: 1/4" 03: 3/8"	4000 04: 1/2" ① 5000 06: 3/4" 10: 1"	Blank: With bracket J: Without bracket		

Order Example: Regulator with square gauge, 2000 series body, backflow type, 1/4" port size, with gauge, with bracket, MPa, G thread, ERP code is: EIR2000K-021

- Note:**
1. Backflow type regulator must work separately; the regulator knob must be upward, the air should be left port in and right port out.
 2. 2000 series must work in case of knob upward and left port in & right port out. Right port in & left port out is not available currently.
 3. Standard 3000, 4000, 5000 series with backflow function must conform to above 1st point. If right port in & left port out was requested, EMC can customize it.

Note: ① 3/8" and 3/4" port are not available for 4000 series.

Specification

Model	EIR2000K	EIR3000K	EIR4000K	EIR5000K
Working Medium	Clean air(After 40 μm filtration)			
Proof pressure(MPa)	1.5			
Max. Working pressure(MPa)	1.0			
Pressure adjusting range(MPa)	0.05-0.9			
Working temperature(°C)	-5-60 (No freezing)			
Overpressure Exhaust Mechanism	With overflow			

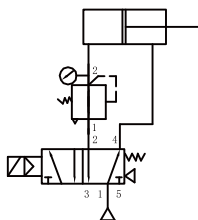
Model	Rated flow(L/min) *	Port size *
EIR2000K-01	1178	1/8"
EIR2000K-02	1200	1/4"
EIR3000K-02	2112	1/4"
EIR3000K-03	2212	3/8"
EIR4000K-04	5312	1/2"
EIR5000K-06	6400	3/4"
EIR5000K-10	6600	1"

* Supply pressure 8.0Bar, Set pressure 6.3Bar, and pressure difference 1 Bar, testing result shows that standard type and backflow type have same flow rate.

* G, PT, NPT is optional.

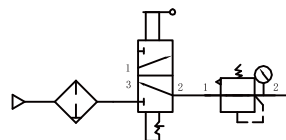
Suitable Applications

1. The pressure is different between piston rod side and the opposite side.



2. Exhaust through the inlet port when air supply stopped. It is a safety precaution.

The residual compress air on the outlet side of pressure reducing valve can be discharged



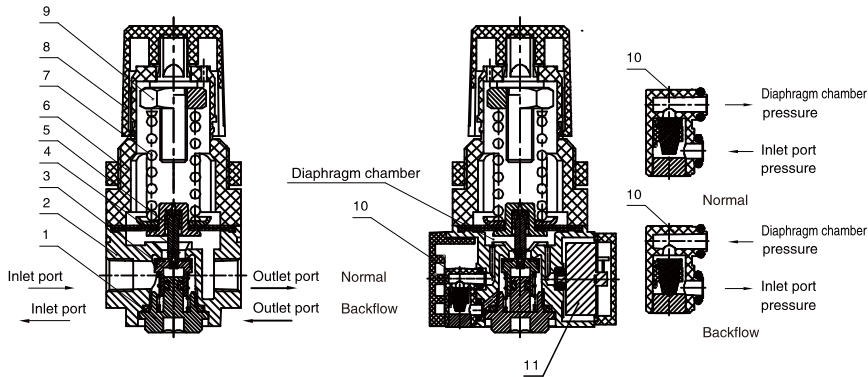
EIR-K Series Regulator with Backflow Function



Construction and working principle

Working principle:

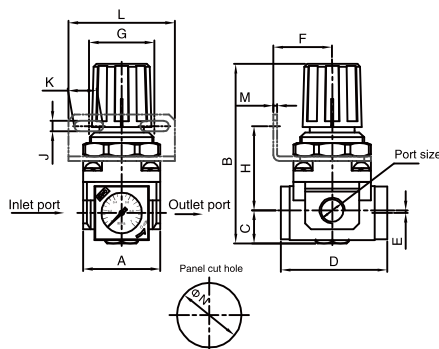
1. When inlet pressure is higher than set pressure, one-way valve 10 closes, it works as a normal regulator.
2. When the inlet pressure blocked, the one-way valve 10 opens, pressure in diaphragm chamber exhausts from the inlet side. When diaphragm chamber pressure goes down, diaphragm is pushed down by the spring force, The valve core will be open by valve rod, pressure at the outlet side exhaust through the inlet side, it works as a regulator with backflow function.



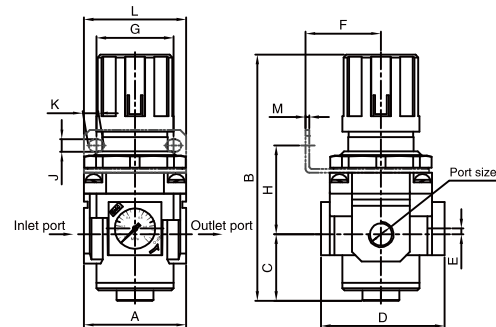
No.	Name	Material
1	Regulator seat	Aluminium
2	Regulator body	Aluminium
3	Valve core	NBR/Metal
4	Spool	Brass
5	Diaphragm components	NBR/Metal
6	Valve cover	Reinforce nylon (2000/3000) Aluminium(4000/5000)
7	Spring	SWC
8	Knob	Reinforce nylon
9	Adjustment bolt components	Free-cutting steel
10	One-way valve components	NBR/Plastic
11	Pressure gauge	Brass/Plastic

Main Dimension

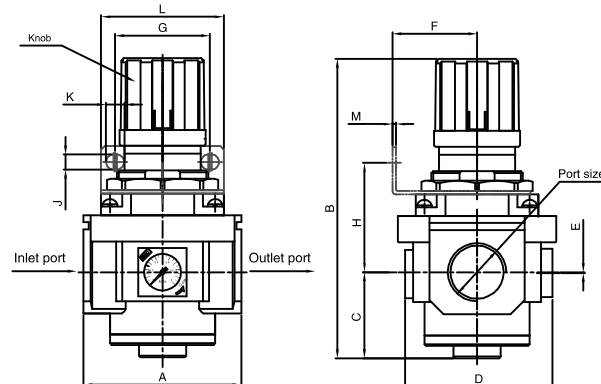
EIR2000K



EIR3000K-EIR4000K



EIR5000K



Note:

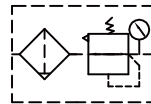
1. Backflow type regulator knob should be upward, left port inlet and right port outlet.
2. Standard regulator knob should be downward, left port inlet and right port outlet. (Refer to E1 series of standard type)
3. The installation size and dimensions of standard and backflow type are same.

Model	Port size	A	B	C	D	E	F	G	H	J	K	L	M	N
EIR2000K	1/8" -1/4"	40	95	17	55	1.3	30.5	33.5	44	5.4	15	55	2	33
EIR3000K	1/4" -3/8"	53	127.5	34.5	64	3	39	40	46	6.5	8	53	2	42
EIR4000K	1/2"	70	149.5	37.5	81	4	48	53.5	54.5	8.5	10.5	70	2	52
EIR5000K	3/4" -1"	90	168	49	90	0.5	48	53.5	62	8.5	10.5	70	2	52

EIW-K Series Filter Regulator with Backflow Function

EIW-K

Filter regulator with backflow function



How to order?

Series No.	Valve body size	Type code	Port size	Drain Type	Pressure Gauge Code	Bracket code	Scale unit	Filter Precision	Thread type
EIW:Regulator filter with square gauge		K: Backflow type		Blank: Manual drain type C: Semi-auto drain D: Auto Drain type			1: Mpa 2: Bar 3: Psi	Blank: 25 μm 5M: 5 μm	Blank: G P: PT T: NPT
2000:2000 Series 3000:3000 Series 4000:4000 Series 5000:5000 Series		2000	01: 1/8" 02: 1/4"	03: 3/8" 04: 1/2" 06: 3/4"		Blank: With bracket J: Without bracket			
		3000	02: 1/4"	5000 06: 3/4" 10: 1"		Blank: With pressure gauge N: Without pressure gauge			

Order Example: Regulator filter with square gauge, 2000 series body, backflow type, 1/4" port, auto drain type, with gauge, with bracket, MPa, filter precision 5 μm, G thread, ERP code is:EIW2000K-02D15M.

- Note:**
1. Backflow type regulator filter must work separately; the knob must be upward, the air should be left port in and right port out.
 2. 2000 series must work in case of knob upward and left port in & right port out. Right port in & left port out is not available currently.
 3. Standard 3000,4000,5000 series with backflow function must conform to above 1st point. If right port in & left port out was requested, EMC can customize it.

Specification

Model	EIW2000K	EIW3000K	EIW4000K	EIW5000K
Working Medium	Clean air(After 40 μm filtration)			
Proof pressure(MPa)	1.5			
Working Pressure Range(MPa)	0.15-1.0			
Pressure Adjustment Range(MPa)	0.05-0.9			
Working temperature(°C)	-5-60 (No freezing)			
Filter precision	25 μm/5 μm optional			
Bowl material	PC(Polycarbonate)			
Bowl guard	None	Available		
Overpressure Exhaust Mechanism	With overflow			

Model	Rated flow(L/min) *	Port size *
EIW2000K-01	1078	1/8"
EIW2000K-02	1165	1/4"
EIW3000K-02	1998	1/4"
EIW3000K-03	2177	3/8"
EIW4000K-03	5108	3/8"
EIW4000K-04	5211	1/2"
EIW4000K-06	5900	3/4"
EIW5000K-06	6200	3/4"
EIW5000K-10	6400	1"

* Supply pressure 8.0Bar, Set pressure 6.3Bar, and pressure difference 1 Bar, testing result shows that standard type and backflow type have same flow rate.

* G, PT, NPT is optional.

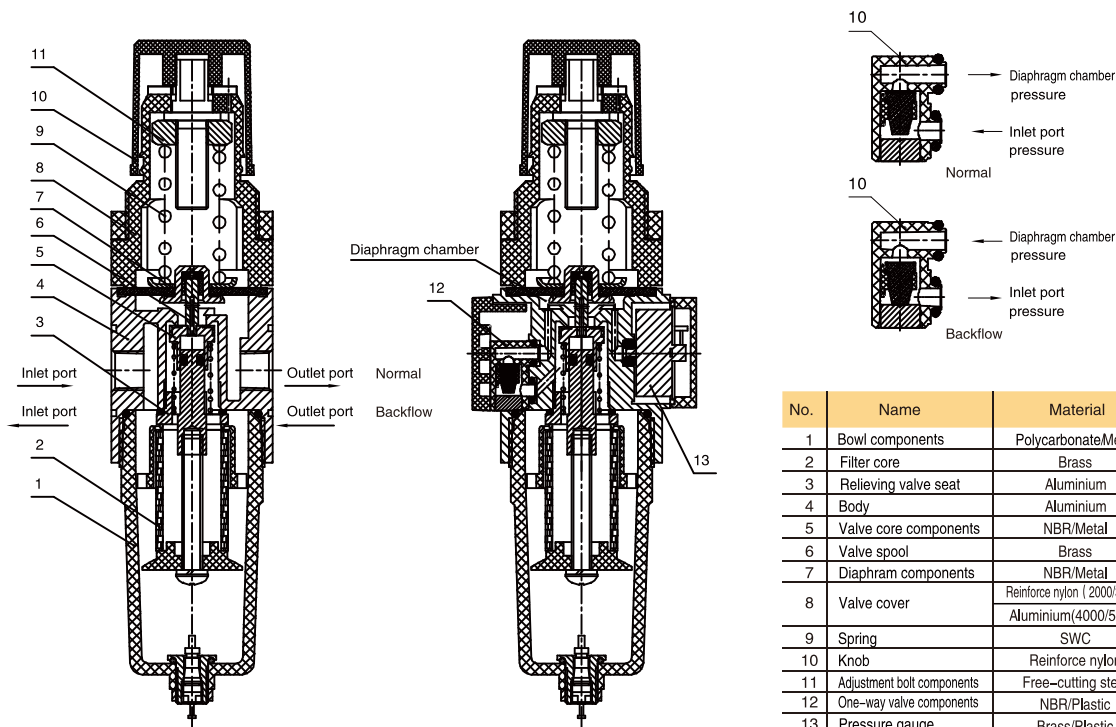
EIW-K Series Filter Regulator with Backflow Function



Construction and working principle

Working principle:

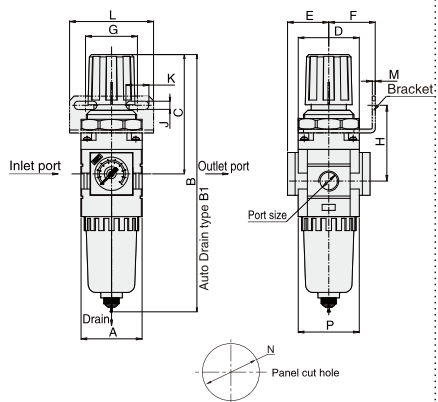
1. When inlet pressure is higher than set pressure, one-way valve 10 closes, it works as a normal regulator.
2. When the inlet pressure blocked, the one-way valve 12 opens, pressure in diaphragm chamber exhausts from the inlet side. When diaphragm chamber pressure goes down, diaphragm is pushed down by the spring force, The valve core will be open by valve rod, pressure at the outlet side exhaust through the inlet side, it works as a regulator with backflow function.



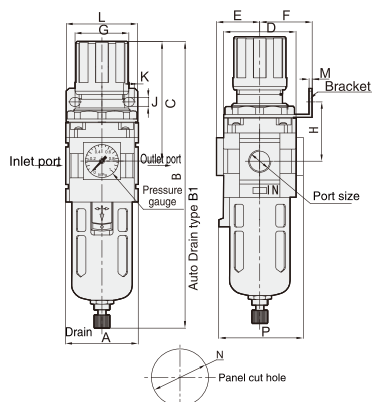
No.	Name	Material
1	Bowl components	Polycarbonate/Metal
2	Filter core	Brass
3	Relieving valve seat	Aluminium
4	Body	Aluminium
5	Valve core components	NBR/Metal
6	Valve spool	Brass
7	Diaphragm components	NBR/Metal
8	Valve cover	Reinforce nylon (2000/3000) Aluminium(4000/5000)
9	Spring	SWC
10	Knob	Reinforce nylon
11	Adjustment bolt components	Free-cutting steel
12	One-way valve components	NBR/Plastic
13	Pressure gauge	Brass/Plastic

Main Dimension

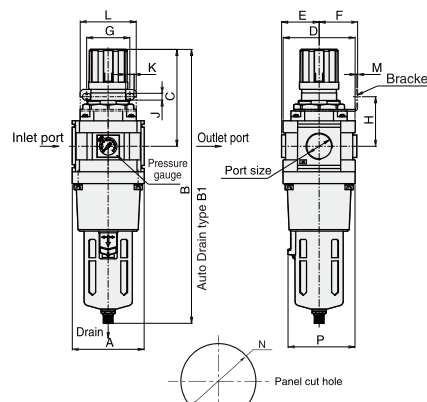
EIW2000K



EIW3000K-EIW4000K



EIW5000K



Model	Port size	A	B	B1	C	D	E	F	G	H	J	K	L	M	N	P
EIW2000K	1/8"-1/4"	40	168.5	205.5	78.5	40	27	30.5	33.5	49.5	5.4	15	55	2	33	40
EIW3000K	1/4"-3/8"	53	210.5	224.5	92	53	31.5	39	40	45.5	6.5	8	53	2	42	63
EIW4000K	3/8"-1/2"	70	264	267	113.5	70	40	48	53.5	54.5	8.5	10.5	70	2	52	73
EIW4000K-06	3/4"	90	343	348	116.5	90	47	48	53.5	62	8.5	10.5	70	2	52	84
EIW5000K	3/4"-1"	90	343	348	116.5	90	47	48	53.5	62	8.5	10.5	70	2	52	84

4
EIW
Backflow function

E Series Air Preparation Unit



How to Order?

Series No.	Type Code	Body Size	Combination	QTY	Port Size	Drain Type	Pressure Gauge Code	Bracket Code	Scale Unit	Filter Precision	Thread Type
E: Round gauge series	C: Filter+regulator+lubricator W: Filter+regulator F: Filter R: Regulator L: Lubricator	10: 1000 body 20: 2000 body 30: 3000 body 40: 4000 body 50: 5000 body	10: Two units (Regulator+Lubricator) 00: Others	1000 M5: M5 2000 01: 1/8" 02: 1/4" 3000 02: 1/4" 03: 3/8"	4000 03: 3/8" 04: 1/2" 06: 3/4" 5000 06: 3/4" 10: 1"	Blank: Manual drain type C: Semi-auto drain D: Auto Drain type	Blank: With pressure gauge N: No pressure gauge	Blank: With bracket J: No bracket	Blank: 25 μm 5M: 5 μm 4: Mpa/Psi(Default) 5: Bar/Psi	Blank: G P: PT T: NPT	

Order Example:

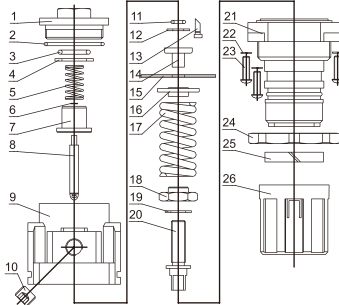
E series regulator, 2000 body size, 1/8 port size, with pressure gauge, with bracket, scale unit is Mpa/Psi, G thread, ERP code is: ER2000-01 4

Note: 2000 Series is optional for manual /auto drain type;

Standard 3000/4000/5000 Series are optional for manual/semi-auto/semi-auto integrated drain type.

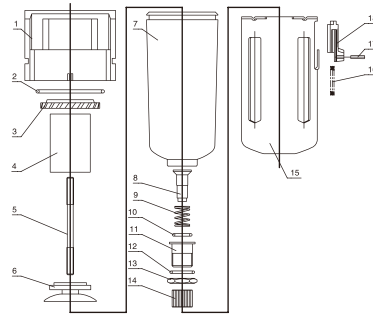
Air Preparation Unit Kits

ER



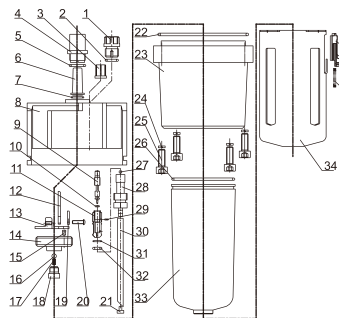
NO.	NAME	QTY	MATERIAL
26	Regulate handle	1	Reinforce nylon
25	Symbol ring	1	Reinforce nylon
24	Nut	1	Reinforce nylon
23	Cross screw	4	Carbon steel
22	Spring washer	4	Carbon steel
21	Valve cover	1	Reinforce nylon
20	Regulate bolt	1	Carbon steel
19	Washer	1	POM
18	Regulate Nut	1	Carbon steel
17	Spring	1	Carbon steel
16	Spring seat	1	Carbon steel
15	Diaphragm	1	NBR
14	Diaphragm seat	1	Brass
13	Pipe	1	POM
12	Retainer ring	1	Carbon steel
11	O-ring	1	NBR
10	Plug	1	Carbon steel
9	Valve body	1	Aluminum
8	Spool	1	Brass+ NBR
7	Valve core	1	Brass
6	Retainer ring	1	Carbon steel
5	Spring	1	Stainless steel
4	Washer	1	Carbon steel
3	O-ring	1	NBR
2	O-ring	1	NBR
1	Regulator seat	1	ZZnAl4-1

EF



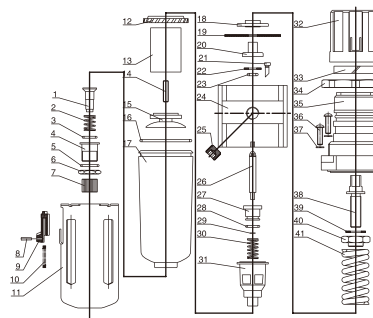
NO.	NAME	QTY	MATERIAL
18	Lock	1	ABS
17	Pin	1	ABS
16	Spring	1	Stainless steel
15	Metal bowl	1	Carbon steel
14	Nut	1	Cu
13	Hex Nut	1	Cu
12	O-ring	1	NBR
11	Drain valve	1	Cu
10	O-ring	1	NBR
9	Spring	1	Stainless steel
8	Valve core	1	Cu
7	Water cup	1	Polycarbonate
6	Drain board	1	ABS
5	Bolt	1	Carbon steel
4	Filter element	1	Cu
3	Blade	1	ABS
2	O-ring	1	NBR
1	Regulator body	1	Aluminum

EL



NO.	NAME	QTY	MATERIAL
37	Lock	1	ABS
36	Pin	1	ABS
35	Spring	1	Stainless steel
34	Bowl guard	1	Carbon steel
33	Oil cup	1	Polycarbonate
32	O-ring	1	NBR
31	O-ring	1	NBR
30	Oil tube	1	PU
29	Pin	1	Carbon steel
28	Fitting	1	POM
27	Steel ball	1	Carbon steel
26	O-ring	1	NBR
25	Hex screw	4	Carbon steel
24	Spring washer	4	Carbon steel
23	Middle part	1	Aluminum
22	O-ring	1	NBR
21	Filter element	1	Brass
20	Screw	2	Carbon steel
19	Reed seat board	1	ZZnAl4-1
18	One way valve plate	1	Cu
17	Spring	1	Stainless steel
16	Steel ball	1	Carbon steel
15	Small hole seat	1	Brass
14	Bracket	1	ZZnAl4-1
13	Reed seat	1	ZZnAl4-1
12	Reed	1	Polycarbonate
11	Oil regulate valve seat	1	Brass
10	O-ring	1	NBR
9	Regulate needle	1	Brass
8	Lubricator body	1	Aluminum
7	O-ring	1	NBR
6	Oil drop tube	1	Polycarbonate
5	O-ring	1	NBR
4	Oil window	1	Polycarbonate
3	Oil regulate screw	1	ABS
2	O-ring	1	NBR
1	Plug	1	ABS

EW

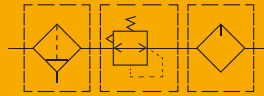


NO.	NAME	QTY	MATERIAL
41	Spring	1	Carbon steel
40	Regulate Nut	1	Carbon steel
39	Washer	1	POM
38	Regulate Bolt	1	Carbon steel
37	Spring washer	4	Carbon steel
36	Cross screw	4	Carbon steel
35	Valve cover	1	Reinforce nylon
34	Nut	1	Reinforce nylon
33	Symbol ring	1	Reinforce nylon
32	Regulate handle	1	Reinforce nylon
31	Overflow valve seat	1	ZZnAl4-1
30	Spring	1	Stainless steel
29	Retainer ring	1	Carbon steel
28	O-ring	1	NBR
27	Valve core	1	Brass
26	Spool	1	Brass + NBR
25	Plug	1	Carbon steel
24	Regulator Body	1	Aluminum
23	O-ring	1	NBR
22	Retainer ring	1	Carbon steel
21	Pipe	1	POM
20	Diaphragm seat	1	Brass
19	Diaphragm	1	NBR
18	Diaphragm Pallet	1	Carbon steel
17	Water cup	1	Polycarbonate
16	O-ring	1	NBR
15	Drain board	1	ABS
14	Bolt	1	NBR
13	Filter element	1	Carbon steel
12	Whirlwing blade	1	ABS
11	Diaphragm	1	Carbon steel
10	Spring	1	Stainless steel
9	Lock	1	ABS
8	Pin	1	ABS
7	Nut	1	Brass
6	Hex Nut	1	Brass
5	O-ring	1	NBR
4	Drain valve	1	Brass
3	O-ring	1	NBR
2	Spring	1	Stainless steel
1	Valve core	1	Brass

E Series Air Preparation Unit



EC
F.R.L



Specifications

Model	EC1000	EC2000	EC2500	EC3000	EC4000	EC5000
Proof pressure(MPa)	1.5					
Max. working pressure(MPa)	1.0					
Working temperature(°C)	-5~60 (No freezing)					
Filter precision	25µm(5 µm is optional)					
Recommended oil	Turbine No.1 Oil ISOVG32					
Bowl material	Polycarbonate					
Bowl guard	None		Available			
Pressure adjusting range(MPa)	0.15~0.85					
Valve type	With overflow					

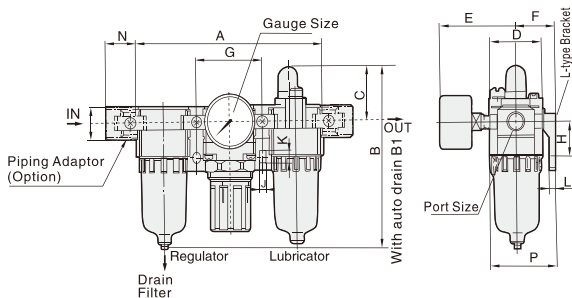
Model	Specifications							Accessories
	Filter	Regulator	Lubricator	* Rated flow (L/min)	** Port size (G)	Pressure gauge thread size (G)	Weight (kg)	
EC1000-M5	EF1000	ER1000	EL1000	90	M5	1/16	0.26	Y10L
EC2000-01	EF2000	ER2000	EL2000	1000	1/8	1/8	0.74	Y20L
EC2000-02				1100	1/4			
EC3000-02	EF3000	ER3000	EL3000	1950	1/4	1/8	1.18	Y30L
EC3000-03				2105	3/8			
EC4000-03	EF4000	ER4000	EL4000	4950	3/8	1/4	2.14	Y40L
EC4000-04				5200	1/2			
EC4000-06	EF4000-06	ER4000-06	EL4000-06	5600	3/4	1/4	2.47	Y50L
EC5000-06				6200	3/4			
EC5000-10	EF5000	ER5000	EL5000	6500	1	1/4	3.82	Y60L

* The above information is based on 8.0 Bar supply pressure and 6.3 Bar set pressure

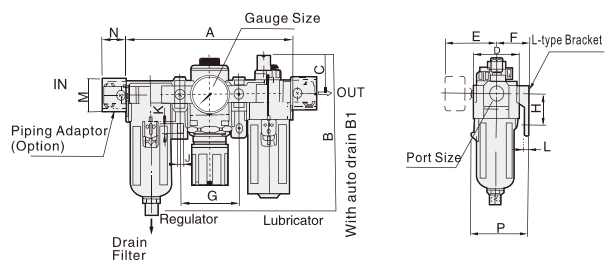
* NPT,PT port size is optional

Main Dimension

EC1000-EC2000



EC3000-EC5000

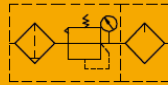


Model	Port Size (G)	A	B	B1	C	D	E	F	G	H	J	K	L	M	N	P
EC1000	M5	91	84.5	-	25.5	25	26	25	33	20	4.5	7.5	5	17.5	16	38.5
EC2000	1/8"-1/4"	140	123.5	161	37.5	40	53	30	50	24	5.5	8.5	5	22	23	50
EC3000	1/4"-3/8"	181	157.5	170	39	53	57	41	64	35	7.5	11	7.2	34.2	26	70.5
EC4000	3/8"-1/2"	238	190	194	40	70	62	50	84	40	9	13	7.2	42.2	33	88
EC4000-06	3/4"	253	191.5	194.5	39	70	66	50	89	40	9	13	7.2	46.2	36	88
EC5000	3/4"-1"	300	271.5	274.5	45.5	90	72	69.8	105	50	12	16	10.5	55.2	40	115

4

EC

EC
FR.L



Specifications

Model	EC1010	EC2010	EC3010	EC4010	EC5010
Proof pressure(MPa)	1.5				
Max. working pressure(MPa)	1.0				
Working temperature(°C)	-5~60 (No freezing)				
Filter precision	25µm (5 µm is optional)				
Recommended oil	Turbine No.1 Oil ISOVG32				
Bowl material	Polycarbonate				
Bowl guard	None				Available
Pressure adjusting range(MPa)	0.15~0.85				
Valve type	With overflow				

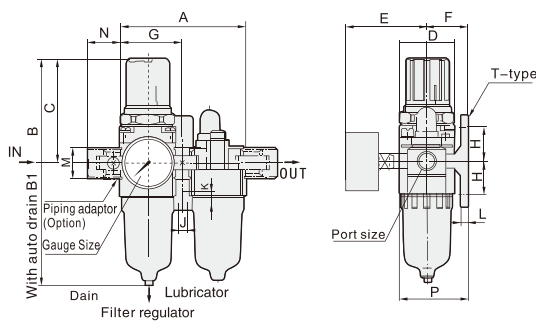
Model	Specifications						Accessories
	Assembly		* Rated flow (L/min)	** Port size (G)	Pressure gauge thread size (G)	Weight (kg)	Bracket
	Filter with pressure	Lubricator					
EC1010-M5	EW1000	EL1000	90	M5	1/16	0.22	Y10T
EC2010-01	EW2000	EL2000	945	1/8	1/8	0.66	Y20T
EC2010-02			960	1/4			
EC3010-02	EW3000	EL3000	1874	1/4	1/8	0.98	Y30T
EC3010-03			1956	3/8			
EC4010-03			4923	3/8			
EC4010-04	EW4000	EL4000	5120	1/2	1/4	1.93	Y40T
EC4010-06			EW4000-06	EL4000-06			
EC5010-06	EW5000	EL5000	6000	3/4	1/4	3.20	Y60T
EC5010-10			6200	1			

* The above information is based on 8.0 Bar supply pressure and 6.3 Bar set pressure

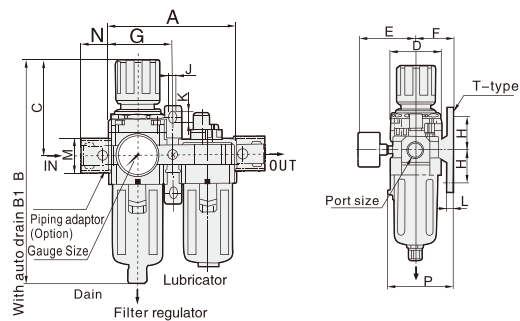
* NPT,PT port size is optional

Main Dimension

EC1010-EC2010



EC3010-EC5010

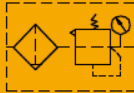


Model	Port Size (G)	A	B	B1	C	D	E	F	G	H	J	K	L	M	N	P
EC1010	M5	58	109.5	-	50.5	25	26	25	29	20	4.5	7.5	5	17.5	16	38.5
EC2010	1/8"-1/4"	90	162	200	76	40	53	29.5	45	24	5.5	8.5	5	22	23	50
EC3010	1/4"-3/8"	116	210.5	224.5	92	53	51	40	58.5	35	7.5	11	7.2	34.2	26	69.5
EC4010	1/4"-3/8"	154	264	267	113.5	70	67	49.5	77	40	9	13	7.2	42.2	33	88
EC4010-06	3/4"	164	268	271	115	70	67	49.5	82	40	9	13	7.2	46.2	36	88
EC5010	3/4"-1"	195	343	348	116.5	90	72	68.5	97.5	50	12	16	10.5	55.2	40	115

EW Series Air Preparation Unit



EW
F&R



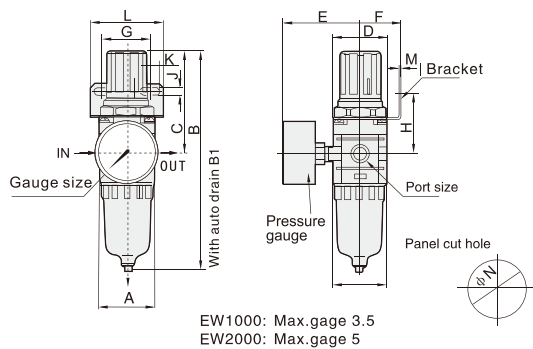
Specifications

Model	EW1000	EW2000	EW3000	EW4000	EW5000
Proof pressure(MPa)	1.5				
Max. working pressure(MPa)	1.0				
Working temperature(°C)	-5-60 (No freezing)				
Filter precision	25µm (5 µm is optional)				
Bowl material	Polycarbonate				
Bowl guard	None		Available		
Pressure adjusting range (MPa)	0.15-0.85				
Valve type	With overflow				

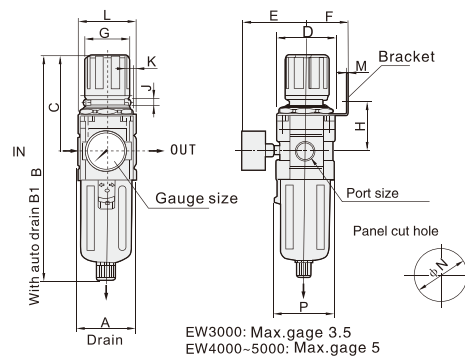
Model	Specifications				Accessories	Drain function	Auto drain model	
	*Rated flow(L/min)	** Port size (G)	Pressure gaugethread size	Weight (kg)	Bracket			
EW1000-M5	100	M5	1/16	0.09	B120			
EW2000-01	1078	1/8			B220		EW2000-01D	
EW2000-02	1165	1/4	1/8	0.36			EW2000-02D	
EW3000-02	1998	1/4			B320		EW3000-02D	
EW3000-03	2177	3/8	1/8	0.56			EW3000-03D	
EW4000-03	5108	3/8					EW4000-03D	
EW4000-04	5211	1/2	1/4	1.15			EW4000-04D	
EW4000-06	5750	3/4	1/4	1.21	B420		EW4000-06D	
EW5000-06	6200	3/4						EW5000-06D
EW5000-10	6400	1	1/4	1.70				EW5000-10D

Main Dimension

EW1000-EW2000

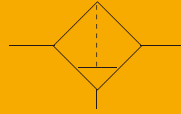


EW3000-EW5000



Model	Port Size (G)	A	B	B1	C	D	E	F	G	H	J	K	L	M	N	P
EW1000	M5	25	109.5	-	50.5	25	26	25	28	30	4.5	6.5	40	2	20.5	28
EW2000	1/8"-1/4"	40	162	200	76	40	53	30.5	33.5	43	5.4	15	55	2	33	40
EW3000	1/4"-3/8"	53	210.5	224.5	92	53	57	39	40	45	6.5	8	53	2	42	56
EW4000	3/8"-1/2"	70	264	267	113.5	70	67	48	53.5	53.5	8.5	10.5	70	2	52	73
EW4000-06	3/4"	75	268	271	115	70	67	48	53.5	53.5	8.5	10.5	70	2	52	73
EW5000	3/4"-1"	90	343	348	116.5	90	72	48	53.5	62	8.5	10.5	70	2	52	90

EF Filter



Specifications

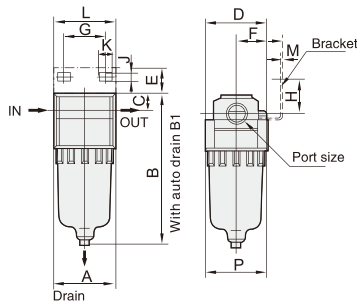
Model	EF1000	EF2000	EF3000	EF4000	EF5000
Proof pressure(MPa)			1.5		
Max. working pressure(MPa)			1.0		
Working temperature(°C)			-5~60 (No freezing)		
Filter precision			25µm (5 µm is optional)		
Bowl material			Polycarbonate		
Bowl guard		None		Available	
Pressure adjusting range(MPa)			0.15~1.0		

Model	Specifications				Accessories	Drain function	Auto drain model
	*Rated flow (L/min)	** Port size (G)	Bowl capacity (CM ³)	Weight (kg)	Bracket		
EF1000-M5	110	M5	4	0.07	-	Manual drain	EF2000-01D EF2000-02D
EF2000-01	1222	1/8	15	0.19	B240		
EF2000-02	1278	1/4					
EF3000-02	2006	1/4	20	0.29	B340	a. Zero pressure drain b. Manual drain	EF3000-02D EF3000-03D
EF3000-03	2148	3/8					
EF4000-03	5120	3/8	45	0.55	B440	EF4000-03D EF4000-04D	
EF4000-04	5430	1/2					
EF4000-06	7680	3/4	45	0.58	B540	EF4000-06D EF5000-06D	
EF5000-06	8200	3/4					
EF5000-10	8500	1	130	1.08	B640	EF5000-10D	

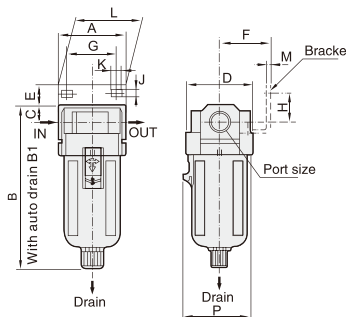
* The above information is based on 6.3 Bar supply pressure and 1.0 Bar set pressure * NPT,PT port size is optional

Main Dimension

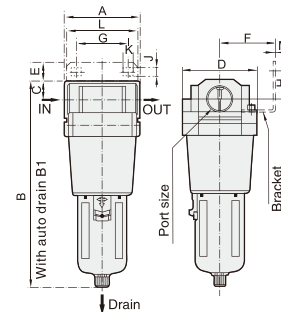
EF1000-EF2000



EF3000-EF4000



EF5000



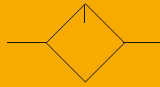
Model	Port Size (G)	A	B	B1	C	D	E	F	G	H	J	K	L	M	P
EF1000	M5	25	66	-	7	25	-	-	-	-	-	-	-	-	26.5
EF2000	1/8"-1/4"	40	96.5	134.5	11	40	25	31	19	14	17	6.8	40	2	40
EF3000	1/4"-3/8"	53	132.5	145	14	53	15	41.5	40	22	6.5	8	53	2	56
EF4000	3/8"-1/2"	70	168	171.5	18	70	18	53	54	27	8.5	10.5	70	2	73
EF4000-06	3/4"	75	172.5	175.5	20	70	14	50	54	25	8.5	10.5	70	2	73
EF5000	3/4"-1"	90	246	250	24	90	23	67	66	35	11	13	90	3	90

EL Series Air Preparation Unit



EL

Lubricator



Specifications

Model	EL1000	EL2000	EL3000	EL4000	EL5000
Proof pressure(MPa)	1.5				
Max. working pressure(MPa)	1.0				
Working temperature(°C)	-5-60 (No freezing)				
Filter precision	25µm (5 µm is optional)				
Bowl material	Polycarbonate				
Bowl guard	None		Available		
Pressure adjusting range (MPa)	0.15-1.0				

Model	Specifications					Accessories
	Minimal flow of oil drop (L/min)	*Rated flow(L/min)	** Port size (G)	Bowl capacity (CM ³)	Weight (kg)	Bracket
EL1000-M5	4	95	M5	7	0.07	-
EL2000-01	15	1300	1/8	25	0.22	B240
EL2000-02		1345	1/4			
EL3000-02	30	2310	1/4	50	0.50	B340
EL3000-03	40	2375	3/8			
EL4000-03	40	5321	3/8	130	0.56	B440
EL4000-04	50	5532	1/2			
EL4000-06	50	6700	3/4	130	0.58	B540
EL5000-06	190	7700	3/4	130	1.08	B640
EL5000-10		8000	1			

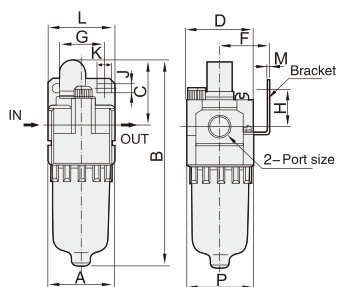
* The above information is based on 6.3 Bar supply pressure,the flow of oil drop is 2-3 drops/min,the temperature of Turbine No.1 oil is 20°C

* The above information is based on 6.3 Bar supply pressure and 1.0 Bar step down

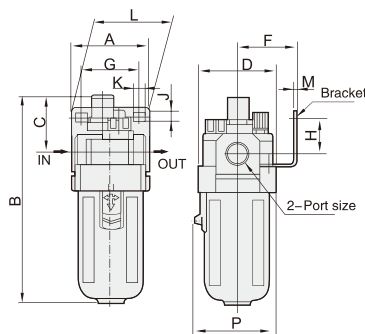
* NPT,PT port size is optional

Main Dimension

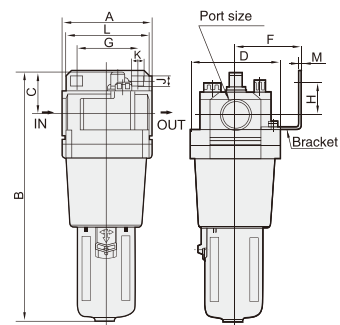
EL1000-EL2000



EL3000-EL4000



EL5000



Model	Port Size (G)	A	B	C	D	F	G	H	J	K	L	M	P
EL1000	M5	25	81.5	25.5	25	-	-	-	-	-	-	-	27
EL2000	1/8"-1/4"	40	115	37.5	40	31	19	14	17	6.8	40	2	40
EL3000	1/4"-3/8"	53	141	39	53	41	40	23	6.5	8	53	2	56
EL4000	3/8"-1/2"	70	175	40	70	53	54	26	8.5	10.5	70	2	73
EL4000-06	3/4"	75	177	39	70	50	54	26	8.5	10.5	70	2	73
EL5000	3/4"-1"	90	254	45.5	90	67	66	35	11	13	90	3	90

4

EL

ER Regulator



Specifications

Model	ER1000	ER2000	ER3000	ER4000	ER5000
Proof pressure(MPa)	1.5				
Max. working pressure(MPa)	1.0				
Working temperature(°C)	-5~60 (No freezing)				
Pressure adjusting range(MPa)	0.05~0.85				
Valve type	With overflow				

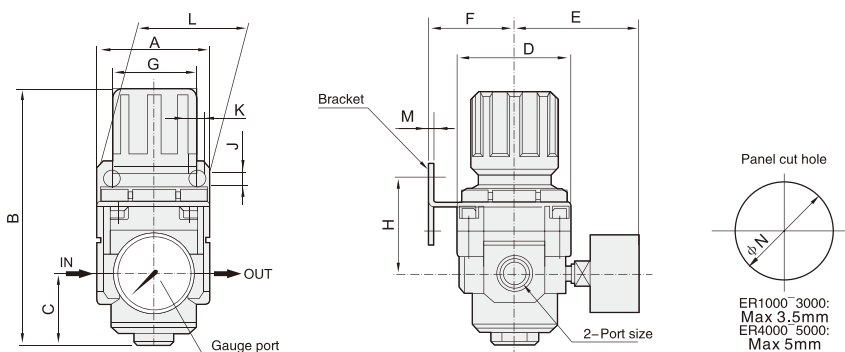
Model	Specifications				Accessories
	*Rated flow(L/min)	** Port size (G)	size (G)	Weight (kg)	Bracket
ER1000-M5	100	M5	1/16	0.08	B120
ER2000-01	1178	1/8	1/8	0.27	B220
ER2000-02	1200	1/4			
ER3000-02	2112	1/4	1/8	0.41	B320
ER3000-03	2212	3/8			
ER4000-03	5020	3/8	1/4	0.84	B420
ER4000-04	5312	1/2			
ER4000-06	6000	3/4	1/4	0.94	
ER5000-06	6400	3/4	1/4	1.19	
ER5000-10	6600	1			

* The above information is based on 8.0 Bar supply pressure and 6.3 Bar set pressure

* NPT,PT port size is optional

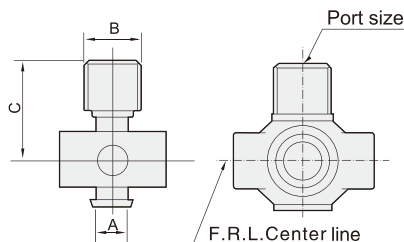
Main Dimension

ER1000-ER5000



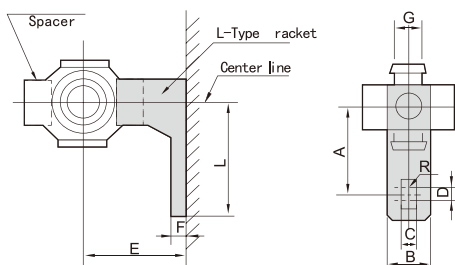
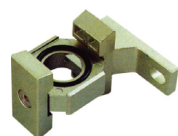
Model	Port Size (G)	A	B	C	D	E	F	G	H	J	K	L	M	N
ER1000	M5	25	61.5	11	25	26	25	28	30	4.5	6.5	40	2	20.5
ER2000	1/8"-1/4"	40	93	17	40	52	30.5	33.5	44	5.4	15	55	2	33
ER3000	1/4"-3/8"	53	127.5	34.5	53	57	39	40	46	6.5	8	53	2	42
ER4000	3/8"-1/2"	70	149.5	40.5	70	62	48	53.5	54.5	8.5	10.5	70	2	52
ER4000-06	3/4"	75	154	40.5	70	66	48	53.5	55.5	8.5	10.5	70	2	52
ER5000	3/4"-1"	90	168	49	90	72	48	53.5	62	8.5	10.5	70	2	52

Accessory



T-Type Spacer

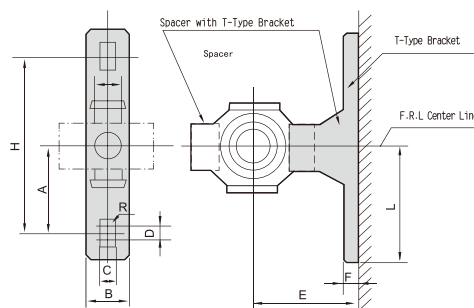
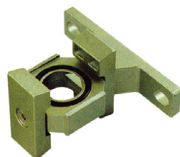
Model	*Port Size (G)	A	B	C	Applicable Model
Y21-01	G1/8	10	19	29	EC2000
Y21-02	G1/4				
Y31-01	G1/8	11	19	33	EC3000
Y31-02	G1/4				
Y41-02	G1/4	14	24	39	EC4000
Y41-03	G3/8				
Y61-03	G3/8	15	30	50.5	EC5000
Y61-04	G1/2				



L-Type Bracket Spacer with L-Type Bracket

L-Type Bracket	Spacer with L-Type Bracket	A	B	C	D	E	F	G	R	L	Applicable Model
B110L	Y10L	20	12	4.5	3	25	5	8	2.25	27	EC1000
B210L	Y20L	24	15	5.5	3	30	5	10	2.75	33	EC2000
B310L	Y30L	35	16	7	4	41	7	11	3.5	45	EC2500-EC3000
B410L	Y40L	40	22	9	4	50	7	14	4.5	50	EC4000
B510L	Y50L	40	22	9	4	50	7	14	4.5	50	EC4000-06
B610L	Y60L	50	23	12	4	69.8	10.5	15	6	63	EC5000
IB210L	IY20L	24	15	5.5	3	30	5	10	2.75	33	EIC2000
ILB310L	ILY30L	35	16	7	4	41	7	11	3.5	45	Connect EIC3000 filter and regulator
IRB310L	IRY30L	35	16	7	4	41	7	11	3.5	45	Connect EIC3000 regulator and Lubricator

*EIC4000/5000 adopts EC series corresponding model.

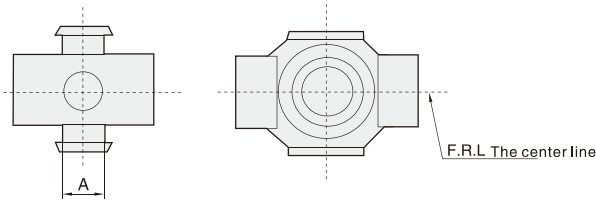


T-Type Bracket Spacer with T-Type Bracket

T-Type Bracket	Spacer with T-Type Bracket	A	B	C	D	E	F	G	H	R	L	Applicable Model
B110T	Y10T	20	12	4.5	3	25	5	8	40	2.25	27	EC1010
B210T	Y20T	24	15	5.5	3	30	5	10	48	2.75	33	EC2010
B310T	Y30T	35	16	7	4	41	7	11	70	3.5	45	EC3010
B410T	Y40T	40	22	9	4	50	7	14	80	4.5	50	EC4010
B510T	Y50T	40	22	9	4	50	7	14	80	4.5	50	EC4010-06
B610T	Y60T	50	23	12	4	69.8	10.5	15	100	6	63	EC5010
IB210T	IY20T	24	15	5.5	3	30	5	10	48	2.75	33	EIC2010
IB310T	IY30T	35	16	7	4	41	7	11	70	3.5	45	EIC3010

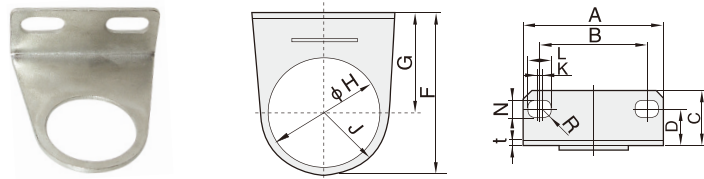
*EIC4000/5000 adopts EC series corresponding model.

Y-Type Spacer



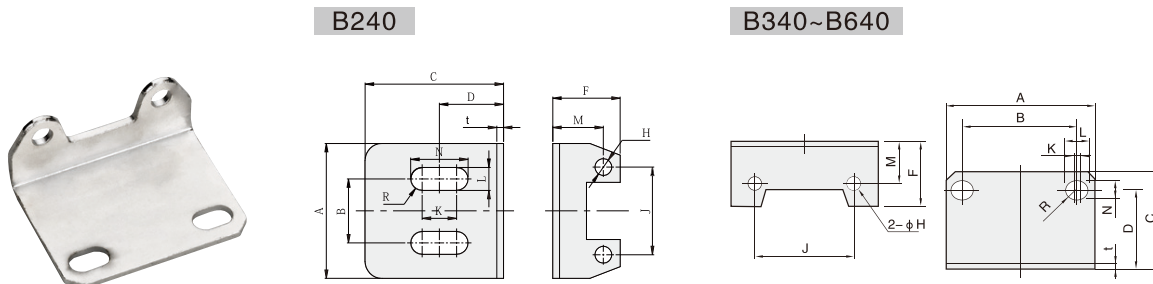
Model	A	Applicable model
Y10	8	EC1000
Y20	10	EC2000
Y30	11	EC2500 - 3000
Y40	14	EC4000
Y50	14	EC4000-06
Y60	15	EC5000

20-Type Bracket



Model	A	B	C	D	F	G	ϕH	J	K	L	N	R	t	Applicable model
B120	40	28	17	11	37.8	25	20	12.3	2	6.5	4.5	2.25	2	ER/EW 1000
B220	55	33.5	24	18	50.5	30.5	33	20	10	15	5.4	2.7	2	ER/EW 2000, ER2500
B320	53	40	22	14	64	39	42	25	1.5	8	6.5	3.25	2	ER/EW 3000
B420	70	53.5	27	18	78.5	48.2	52	30	2	10.5	8.5	4.25	2	ER4000 5000 EW4000 5000

40-Type Bracket



Model	A	B	C	D	F	ϕH	J	K	L	M	N	R	t	Fixing screw	Applicable model
B240	40	19	41	19	20	5	26	10.2	6.8	15	17	3.4	2	M4x8	EF/EL2000
B340	53	40	38	31.2	23	4.5	35	1.5	8	19	6.5	3.25	2	M4x8	EF/EL3000
B440	70	54	49	40	30	5.5	47	2	10.5	18.4	8.5	4.25	2	M5X12	EF/EL4000
B540	70	54	49	40	30	5.5	47	2	10.5	21.5	8.5	4.25	2	M5X12	EF/EL4000-06
B640	90	66	64	52	43	6.5	60	2	13	29	11	5.5	2	M5X12	EF/EL5000

HED402

Auto Drain



HED402 Auto Drain

○ Purpose

This product often applies to the low places of auto-remove piping, frozen type air drying machine, oil separator, air storage tank and the bottom of various air filters. It can be installed in the places which are not convenient for manual discharge of sewage, such as high, low, narrow places. Especially, it can be installed in the places with large consumption of air or frequent drain times, to prevent the compressed air to be re-polluted by condensed water resulting from the neglect of manual drain.

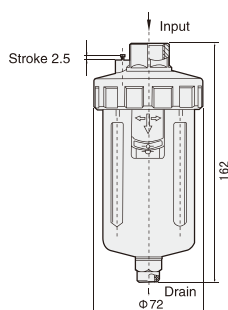
○ Features

Auto drain/ Zero pressure drain/ The water cup with metal bowl guard.

○ Attention

The drainer should be installed vertically and the port should face down, when using.

○ Main Dimension



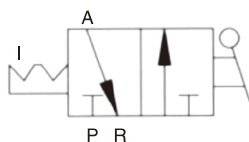
Model	HED402-02	HED402-03	HED402-04
Working medium	Compressed air		
Working pressure (MPa)	0.15~1.0		
Guaranteed pressure resistance (MPa)	1.5		
Working temperature (°C)	5~60		
Port size	G1/4	G3/8	G1/2
Drain port size	G1/8		
Drain status	Normal open		

EVSH

Pressure Relief Valve (3/2)



EVSH



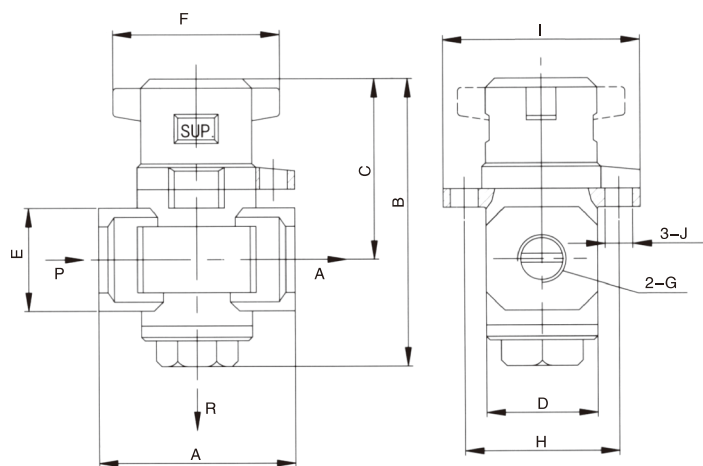
How to Order?

Series No.	Body Size	Port Size	Thread Type
EVSH Series	2000: 2000 Body	01: 1/8"	Blank: G P: PT T: NPT
		02: 1/4"	
	3000: 3000 Body	02: 1/4"	
		03: 3/8"	
4000: 4000 Body	03: 3/8"		
	04: 1/2"		

Order Example:

EVSH series 3/2 way check valve, 2000 body size, 1/4" port size, PT thread, ERP code is: EVSH2000-02-P

Main Dimension



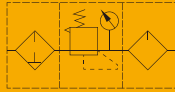
Model	G	Exhaust port	A	B	C	D	E	F	H	I	J
EVSH2000-01	1/8	1/8	40	59	39	28	22	40	32	41	Φ6
EVSH2000-02	1/4	1/8	40	59	39	28	22	40	32	41	Φ6
EVSH3000-02	1/4	1/4	53	78	49	30	28	45	41.5	53	Φ7.5
EVSH3000-03	3/8	1/4	53	78	49	30	28	45	41.5	53	Φ7.5
EVSH4000-03	3/8	3/8	70	84	52	36	36	45	41.5	53	Φ7.5
EVSH4000-04	1/2	3/8	70	84	52	36	36	45	41.5	53	Φ7.5

AE/BE Series Air Preparation Unit



AEC/BEC

F.R.L



How to Order?

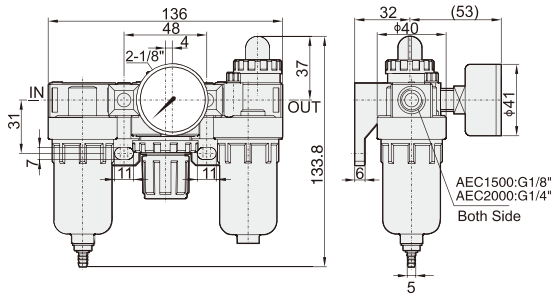
Series No.	Type Code	Body Size	Pressure Gauge Code	Bracket Code	Scale Unit	Thread Type
AE: Small body size without bowl guard BE: Larger body size with bowl guard	C: Filter+regulator+lubricator	2000: 1/4" 3000: 3/8" 4000: 1/2"	Blank: With pressure gauge N: No pressure gauge	Blank: With bracket J: No bracket	4: Mpa/Psi(Default) 5: Bar/Psi	Blank: G P: PT T: NPT

Order Example:

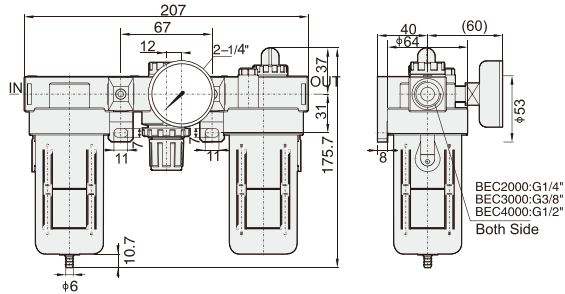
AE series three units, 2000 body size, with gauge, with bracket, Mpa/Psi pressure scale unit, PT thread, ERP code is: AEC2000-4-P

Main Dimension

AEC2000



BEC 2000 - 4000

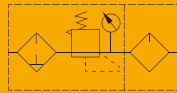


Specifications

Model	AEC2000	BEC2000	BEC3000	BEC4000	
Working medium	Air				
Port size	G1/4	G1/4	G3/8	G1/2	
Filter precision	40µm (5, 40 µmis optional)				
Adjusting pressure range (MPa)	0.15~0.85				
Max. adjusting pressure (MPa)	1.0				
Guaranteed pressure (MPa)	1.5				
Working temperature(°C)	5~60				
Filter bowl capacity (CC)	15	60		60	
Lubricator bowl capacity (CC)	25	90		90	
Recommend oil	ISO VG32 or equivalent oil				
Weight (g)	700	900		900	
Components	Filter	AEF2000	BEF2000	BEF3000	BEF4000
	Regulator	AER2000	BER2000	BER3000	BER4000
	Lubricator	AEL2000	BEL2000	BEL3000	BEL4000

AEFC/BEFC

FR.L



How to Order?

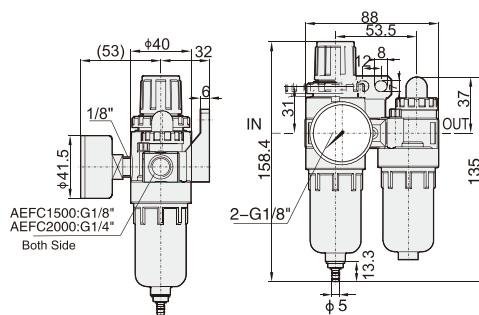
Series No.	Type Code	Body Size	Pressure Gauge Code	Bracket Code	Scale Unit	Thread Type
AE: Small body size without bowl guard BE: Larger body size with bowl guard	FC: Filter & Regulator +Lubricator	2000: 1/4" 3000: 3/8" 4000: 1/2"	Blank: With pressure gauge N: Without pressure gauge	Blank: With bracket J: Without bracket	4: Mpa/Psi(Default) 5: Bar/Psi	Blank: G P: PT T: NPT

Order Example:

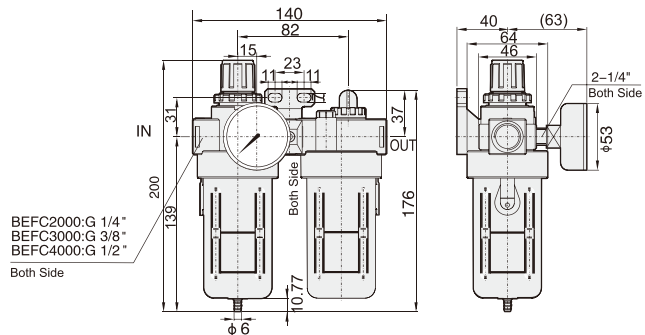
AE series two units, 2000 body size, with gauge, with bracket, Mpa/Psi pressure scale unit, PT thread, ERP code is: AEFC2000-4-P

Main Dimension

AEFC2000



BEFC2000-4000



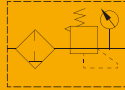
Specifications

Model	AEFC2000	BEFC2000	BEFC3000	BEFC4000	
Working medium	Air				
Port size	G1/4	G1/4	G3/8	G1/2	
Filter precision	40 μm (5.40 μm is optional)				
Adjusting pressure range (MPa)	0.15-0.85				
Max. adjusting pressure (MPa)	1.0				
Guaranteed pressure (MPa)	1.5				
Working temperature(°C)	5-60				
Filter bowl capacity (CC)	15		60		
Lubricator bowl capacity (CC)	25		90		
Recommend oil	ISO VG32 or equivalent oil				
Weight (g)	500		700		
Components	Filter.Regulator	AEFR2000	BEEF2000	BEFR3000	BEFR4000
	Lubricator	AEL2000	BEL2000	BEL3000	BEL4000

AEFR/BEFR Series Air Preparation Unit



AEFR/BEFR



How to Order?

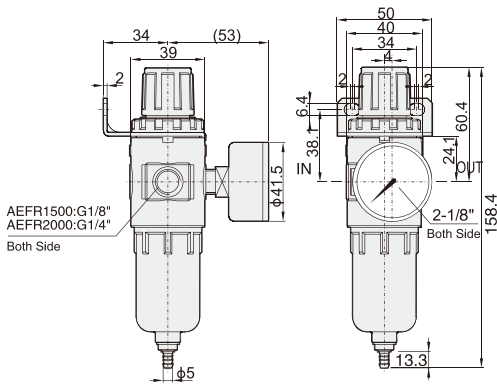
Series No.	Type Code	Body Size	Pressure Gauge Code	Bracket Code	Scale Unit	Thread Type
AE: Small body size without bowl guard BE: Larger body size with bowl guard	FR: Regulator+Filter	1500: 1/8" 2000: 1/4" 3000: 3/8" 4000: 1/2"	Blank: With pressure gauge N: No pressure gauge	Blank: With bracket J: No bracket	4: Mpa/Psi(Default) 5: Bar/Psi	Blank: G P: PT T: NPT

Order Example:

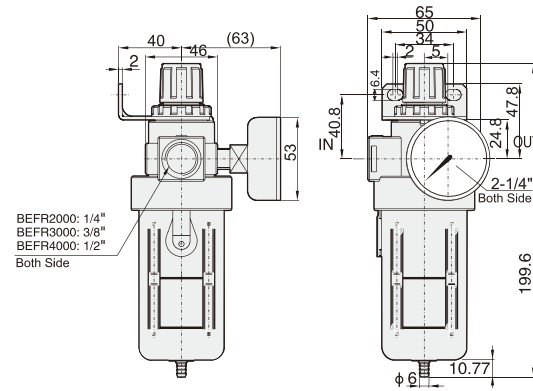
AE series Filter+regulators, 1/4" body size, Mpa/Psi pressure scale unit, PT thread, ERP code is: AEFR2000-4-P

Main Dimension

AEFR1500/2000



BEFR2000-4000



Specifications

Model	AEFR1500	AEFR2000	BEFR2000	BEFR3000	BEFR4000
Working medium	Air				
Port size	G1/8	G1/4	G1/4	G3/8	G1/2
Filter precision	40 μm (5, 50 μm is optional)				
Adjusting pressure range (MPa)	0.15-0.85				
Max. adjusting pressure (MPa)	1.0				
Guaranteed. pressure (MPa)	1.5				
Working temperature(°C)	5-60				
Filter bowl capacity (CC)	15		60		400
Weight (g)	260		400		

AEF/BEF Filter



How to Order?

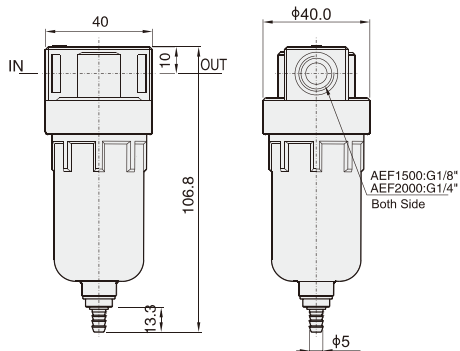
Series No.	Type Code	Body Size	Bracket Code	Thread Type
AE: Small body size without bowl guard	F: Filter	1500: 1/8" 2000: 1/4" 3000: 3/8" 4000: 1/2"	Blank: With bracket J: No bracket	Blank: G P: PT T: NPT

Order Example:

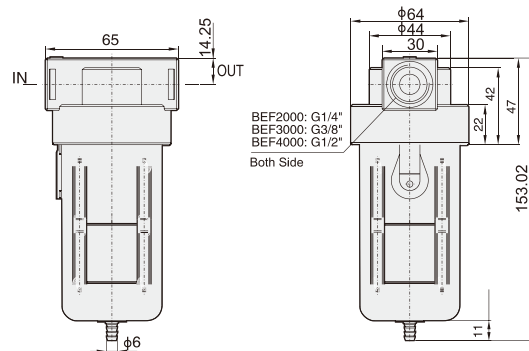
AE series filter, 1/4" body size, with bracket, PT thread, ERP code is: AEF2000-P

Main Dimension

AEF1500/2000



BEF2000-4000



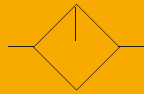
Specifications

Model	AEF1500	AEF2000	BEF2000	BEF3000	BEF4000
Working medium	Air				
Port size	G1/8	G1/4	G1/4	G3/8	G1/2
Filter precision	40 μm (5, 50 μm is optional)				
Working pressure (MPa)	0.15~1.0				
Guaranteed pressure (MPa)	1.5				
Working temperature(°C)	5~60				
Filter bowl capacity (CC)	15		60		
Weight (g)	140		330		

AEL/BEL Series Air Preparation Unit



AEL/BEL Lubricator



How to Order?

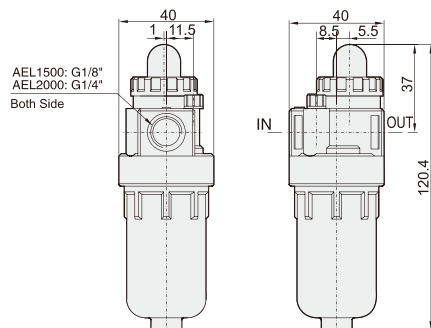
Series No.	Type Code	Body Size	Bracket Code	Thread Type
AE: Small body size without bowl guard BE: Larger body size with bowl guard	L: Lubricator	1500: 1/8" 2000: 1/4" 3000: 3/8" 4000: 1/2"	Blank: With bracket J: No bracket	Blank: G P: PT T: NPT

Order Example:

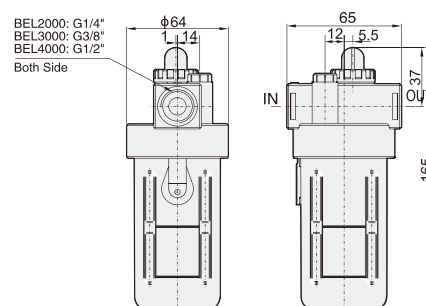
AE series Lubricator, 1/4" body size, with bracket, PT thread, ERP code is: AEL 2000-P

Main Dimension

AEL1500/2000



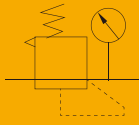
BEL2000-4000



Specifications

Model	AEL1500	AEL2000	BEL2000	BEL3000	BEL4000
Working medium	Air				
Port size	G1/8	G1/4	G1/4	G3/8	G1/2
Guaranteed. pressure resistance(MPa)	1.5				
Working temperature(°C)	5~60				
Lubricator bowl capacity	25CC		90CC		
Recommend oil	ISO VG32 or equivalent oil				
Weight (g)	170g		250g		

AER/BER Regulator



How to Order?

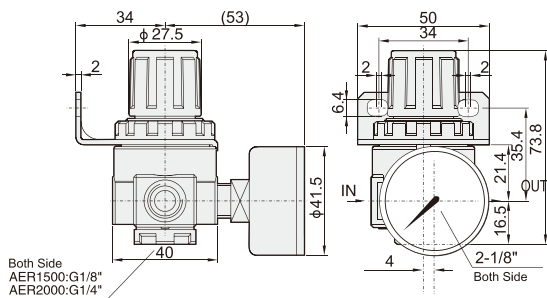
Series No.	Type Code	Body Size	Pressure Gauge Code	Bracket Code	Scale Unit	Thread Type
AE: Small body size without bowl guard BE: Larger body size with bowl guard	R: Regulator	1500: 1/8" 2000: 1/4" 3000: 3/8" 4000: 1/2"	Blank: With pressure gauge N: No pressure gauge	Blank: With bracket J: No bracket	4: Mpa/Psi(Default) 5: Bar/Psi	Blank: G P: PT T: NPT

Order Example:

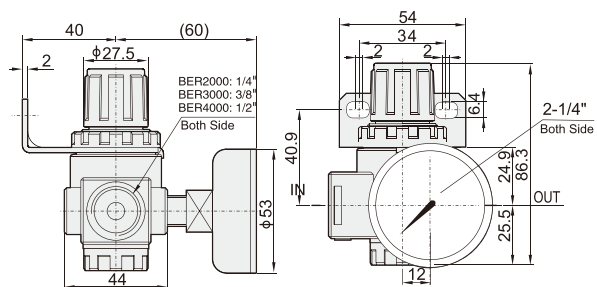
AE series Regulator, 1/4" body size, Mpa/Psi pressure scale unit, PT thread, ERP code is: AEC2000-4-P

Main Dimension

AER1500/2000



BER2000-4000



Specifications

Model	AER1500	AER2000	BER2000	BER3000	BER4000
Working medium	Air				
Port size	G1/8	G1/4	G1/4	G3/8	G1/2
Adjusting pressure range (MPa)	0.05-0.85				
Max. adjusting pressure (MPa)	1.0				
Guaranteed pressure (MPa)	1.5				
Working temperature(°C)	5-60				
Weight (g)	200		230		

EAFM/EAFD

High Cleaning Mist Seperator



Product Features

1. Low pressure loss, filtration efficiency over 99%.
2. Filter precision 0.3 μ m, 0.01 μ m optional.
3. Manual, Semi-auto, Auto three drain type optional.
4. Single unit optional use fixed bracket installation, combination unit can match with EMC EA series F.R.L or F.R.L.

Specification

Model	EAFM/EAFD2000-01	EAFM/EAFD2000-02	EAFM/EAFD3000-02	EAFM/EAFD3000-03	EAFM/EAFD3000-04	EAFM/EAFD4000-03	EAFM/EAFD4000-04	EAFM/EAFD4000-06
Working Medium	Air							
Port Size	1/8"	1/4"	1/4"	3/8"	1/2"	3/8"	1/2"	3/4"
Guaranteed Pressure(Mpa)	1.5							
Max.Working Pressure(Mpa)	0.15~1.0							
Filter precision (μ m)	EAFM	0.3 μ m						
	EAFD	0.01 μ m						
Working Temperature($^{\circ}$ C)	-5~60(No freezing)							
Weight (g)	120		330			610		

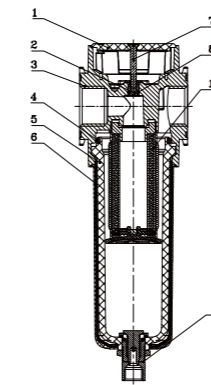
How to order

Series No.	Body Size	Port Size	Drain Type	Bracket Code	Thread Code
EAFM:EAFM Series high cleaning mist separator (Filter precision 0.3 μ m)	2000	01: 1/8" 02: 1/4"	Blank: Manual drain type C: Semi-auto drain type D: Auto drain type	Blank: With bracket J: No bracket	Blank: G P: PT T: NPT
EAFD:EAFD Series high cleaning mist separator (Filter precision 0.01 μ m)	3000	02: 1/4" 03: 3/8"			
	4000	04: 1/2" 03: 3/8" 06: 3/4"			

How to order: EAFM Series high cleaning mist separator, body size 3000, port size 1/4, manual drain type, with bracket, G thread, order code: EAFM3000-02

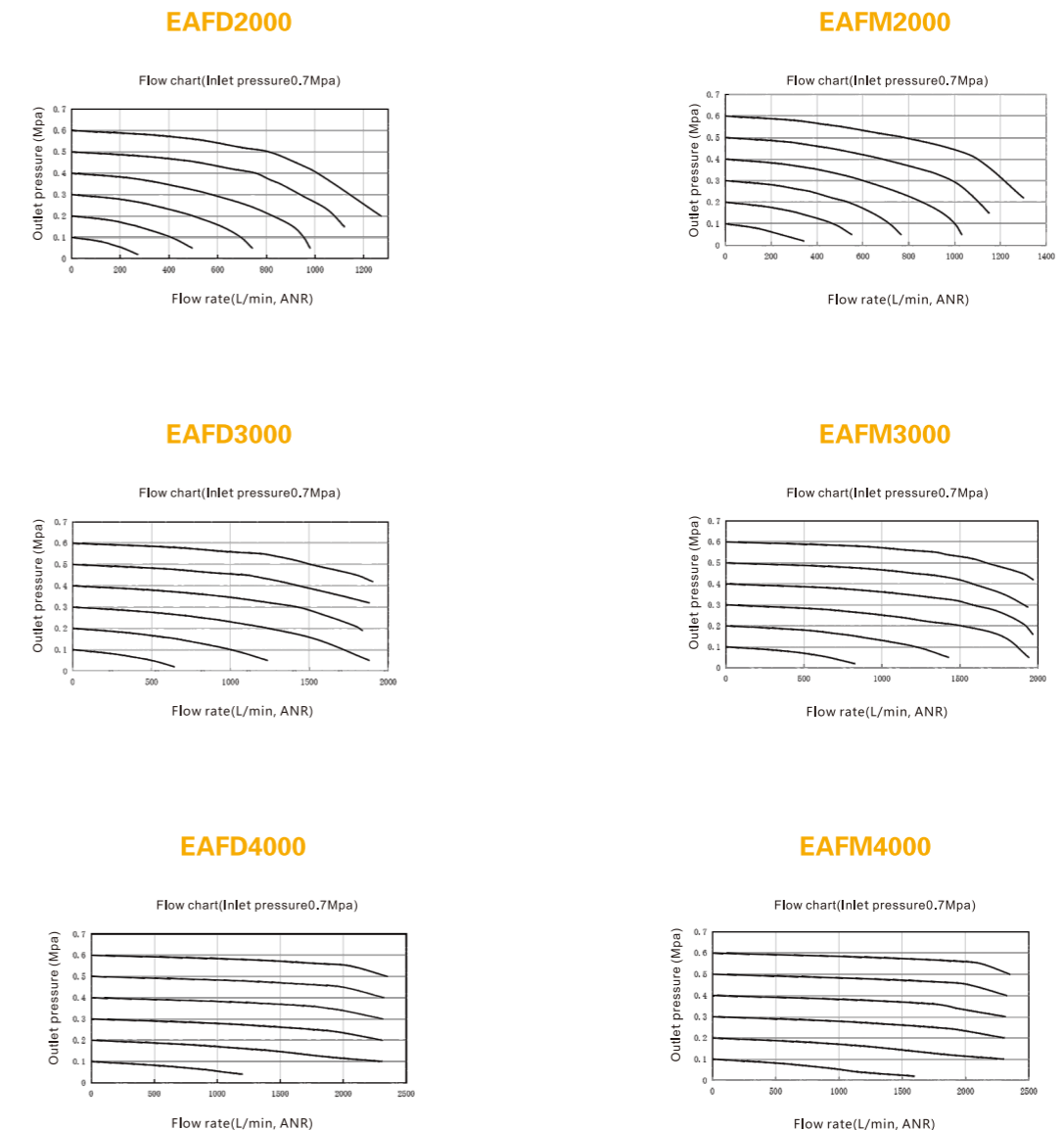
Note ①: The EAFM/EAFD2000 series is only available in manual drainage models.

Internal Structure



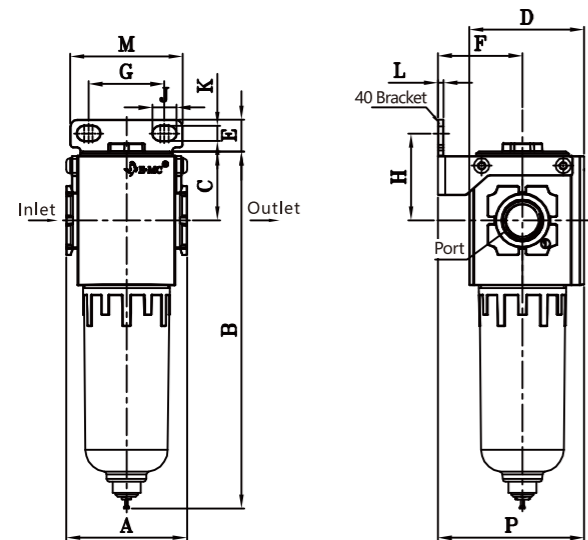
NO.	Part Name	Material
1	Valve	Plastics
2	Seal pillar	Aluminum alloy
3	Valve body	Aluminum alloy
4	O-ring	NBR
5	Water bowl	Plastics
6	Protection guard	Plastics
7	Screw	Mild steel
8	O-ring	NBR
9	Filter element	Modular
10	Drain modular	Modular

Flow Chart (Typical Value)

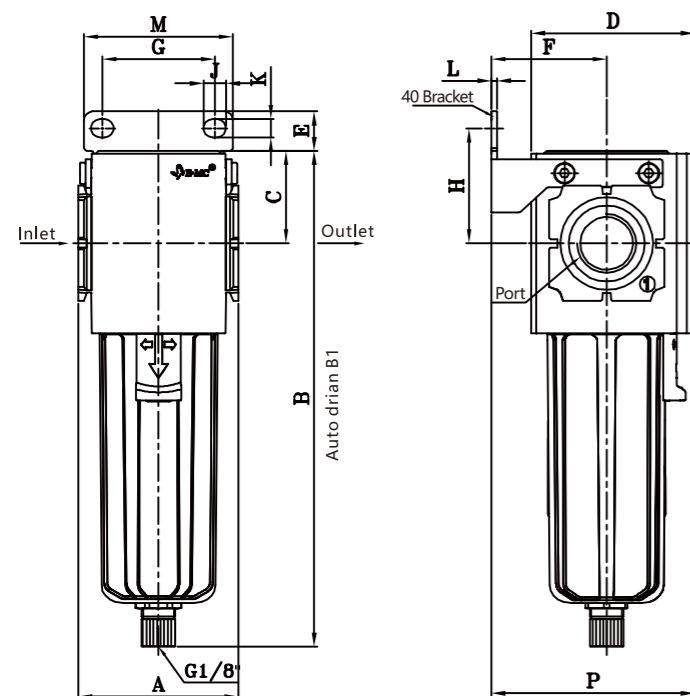


Main Dimension

EAFM/EAFD2000



EAFM4000/EAFD3000



Model	Port Size	A	B	B1	C	D	E	F	G	H	J	K	L	M	P
EAFM/EAFD2000	1/8"-1/4"	43	127.1	-	24.5	41	11.5	30	27	31	8.4	5.4	2	40	52
EAFM/EAFD3000	1/4"-1/2"	57	176.5	173.5	33	58.2	14	41	40	41	8	6.5	2	53	72.4
EAFM/EAFD4000	3/8"-3/4"	80	200.8	195.1	36	78.9	17	50	54	44	12	8.5	2.5	73	92.1

EAS

Manually Operated Check Valve



Product Features

- Modular Design, could combine with EA3000 series by using the bracket.
- This valve can be used as a manual 3/2 ways check valve
- Switching position (EXH./SUP.) is immediately recognizable
- Standards for operator installation: when repairing and maintaining machinery, Residual pressure relief valve can be used to eliminate residual pressure while closing the air source. In this case, unintentional manipulation by a third party can cause a sudden movement of the rear line pressure, cylinders, etc., which can lead to injury. Therefore, the provisions: all used for this purpose must be locked, to prevent the third party unintentional operation resulting in damage to the operator;
- In addition to the standard type, a pressure gauge type is available (square or round), If needs, please contact E.MC for customization

How to Order?

Series No.	Port size	Bracket Code	Thread Type
EAS2000	01:1/8"	Blank: with bracket J: No bracket	Blank: G P: PT T: NPT
EAS3000	02:1/4"		
EAS4000	02:1/4"		
	03:3/8"		
	04:1/2"		
	03:3/8"		
	04:1/2"		
	06:3/4"		

Order Example:

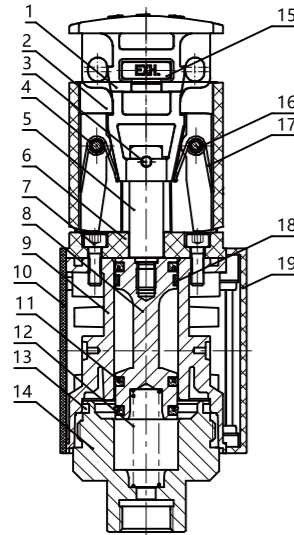
EAS3000 manually operated check valve, 1/4" port size, with bracket, G thread
ERP code is EAS3000-02

Specifications

Model	EAS2000-01	EAS2000-02	EAS3000-02	EAS3000-03	EAS3000-04	EAS4000-03	EAS4000-04	EAS4000-06
Working medium	Clean air(After 40 μm filtration)							
Port size	1/8"	1/4"	1/4"	3/8"	1/2"	3/8"	1/2"	3/4"
EXH. port size	1/4		3/8			1/2		
Guaranteed pressur(MPa)	1.5							
Working pressure range(MPa)	0 - 0.9							
Acting type	Manual							
Positions	3/2ways							
Working temperature(°C)	-5~60(No freezing)							
Weight(g)	144	141	284	277	270	669	659	639

EAS2000 series and EAS4000 series are coming soon.

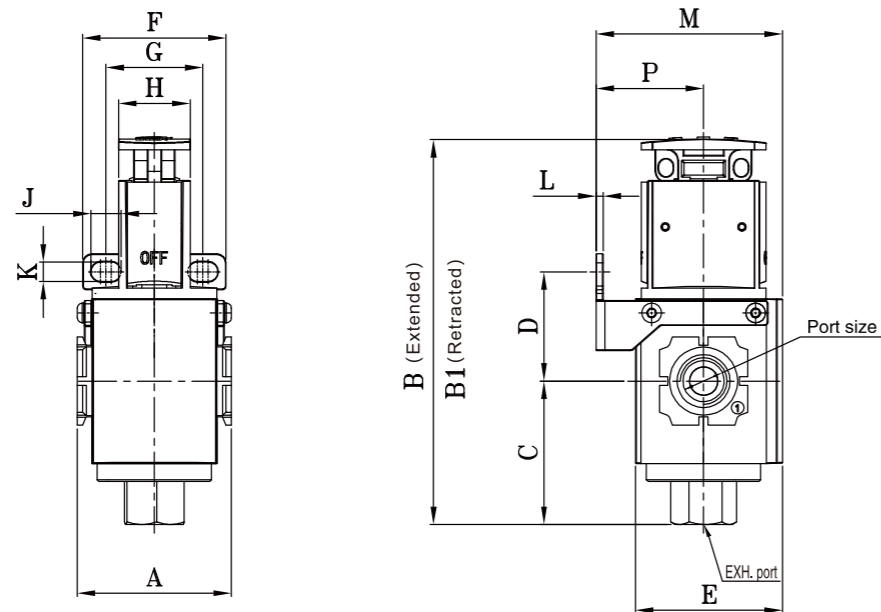
Internal Structure



No.	Name	Materials
1	The locking handle	ABS
2	Push Button	ABS
3	Handle pin	Stainless steel
4	Scroll casing	Stainless steel
5	Connecting rod	Aluminium Alloy
6	Handle bracket	ABS
7	Hexagon socket cap screws	Medium Carbon Steel
8	Spool	Aluminium Alloy
9	Valve body	Aluminium Alloy
10	Rear panel	ABS
11	Piston seal	NBR
12	Return spring	Stainless steel
13	O-ring	NBR
14	Seal set	Aluminium Alloy
15	Sticker	Plastics
16	Button pin	Stainless steel
17	Returning torsion spring	Stainless steel
18	Wear Ring	ABS
19	Plate	ABS

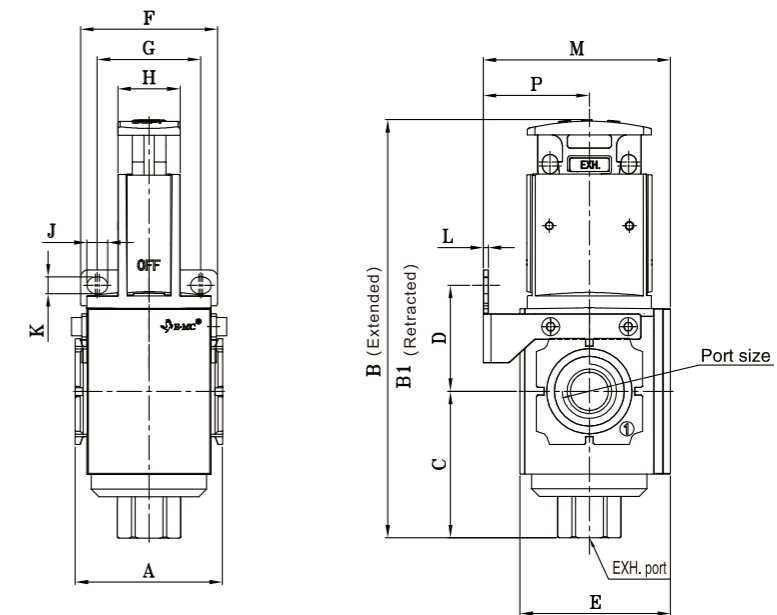
Main Dimension

EAS2000

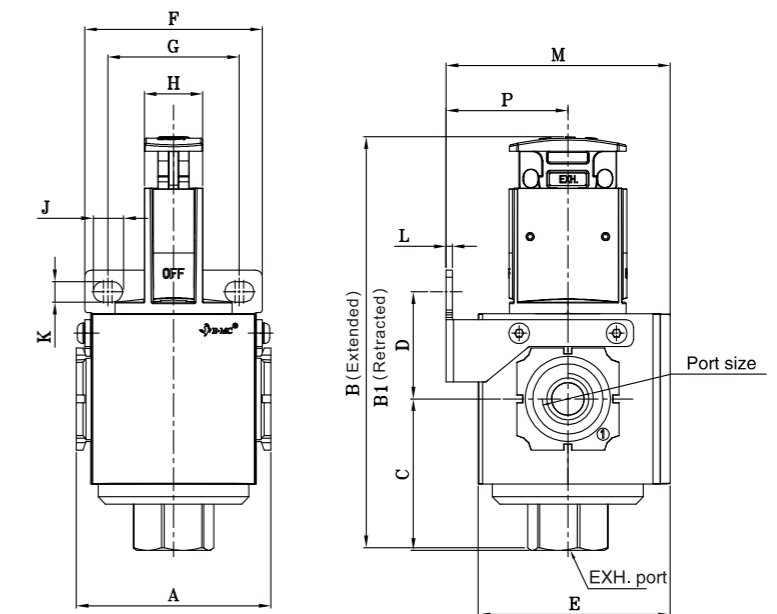


Main Dimension

EAS3000



EAS4000



Model	Port size	A	B	B1	C	D	E	F	G	H	J	K	L	M	P	EXH. port
EAS2000	1/8"-1/4"	43	107.5	99.5	40	30.5	41	40	27	20	8.4	5.4	2	52	30	1/4"
EAS3000	1/4"-1/2"	56.8	161.7	146.7	56.7	41	58.2	53	40	24	8	6.5	2	72.4	41	3/8"
EAS4000	3/8"-3/4"	80	169.7	154.7	62.2	44	78.9	73	54	24	12	8.5	2.5	92.1	50	1/2"

EPR2000/3000/4000

Precision Pressure Regulator



Product Features

- High precision , sensitive response.
- Steady output pressure.
- Large flow rate and steady flow output.
- Easy installation : Independent installation by bracket ; Bottom installation ; Direct installation with existing modular air preparation.
- High pressure type, medium pressure type and low pressure type optional.

How to Order?

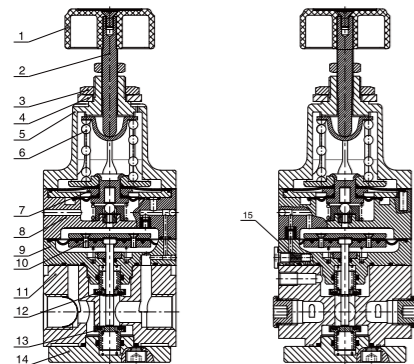
Series No.	Port Size	Pressure Range	Pressure Gauge Code	Bracket Code	Scale Unit	Thread Type
EPR2000	2000 01:1/8"	L : 0.005 ~ 0.2MPa	Blank: With pressure gauge	Blank: With bracket	4: MPa/psi	Blank: G
EPR3000	3000 02:1/4"	M: 0.01 ~ 0.4MPa	N: No pressure gauge	J: No bracket		P: PT
EPR4000	4000 02:1/4" 03:3/8" 04:1/2"	H: 0.01 ~ 0.8MPa				T:NPT

Order Example: EPR3000 high precision regulator , 1/4" port, pressure range 0.01~0.8MPa ,with gauge,with bracket, scale unit MPa/psi,G thread.
ERP code is EPR3000-02H

Specifications

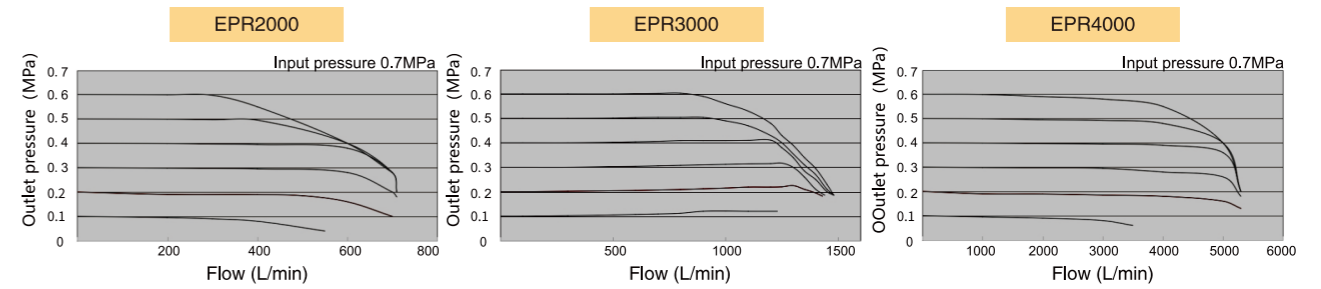
Model No.	EPR2000-01	EPR3000-02	EPR4000-02	EPR4000-03	EPR4000-04
Working Medium	Clean air(After 5 μm filtration)				
Max. Supply Pressure(Mpa)	1.0				
Min. Supply Pressure(Mpa)	Setting pressure+0.05		Setting pressure+0.1		
Proof Pressure(Mpa)	1.5				
Set Pressure	Low Pressure	L:0.005 ~ 0.2MPa		L:0.01 ~ 0.2MPa	
	Medium Pressure	M:0.01 ~ 0.4MPa			
	High Pressure	H:0.01 ~ 0.8MPa			
Sensitivity	Within 0.2% of full scale				
Repeatability	Within ±0.5% of full scale				
Air Consumption	≤4.4L/min (ANR)		≤11.5L/min (ANR)		
Port Size	1/8"	1/4"	1/4"	3/8"	1/2"
Pressure Gauge Port Size	G1/8(2 locations)				
Working Temperature(°C)	-20~70 (No freezing)				
Weight(g)	140	420	710		

Internal Structure

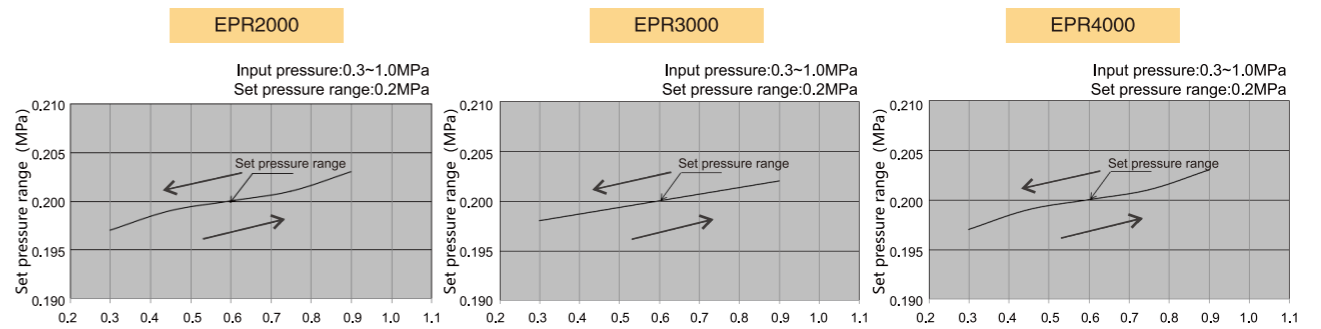


No.	Part Name	Material
1	Pilot regulate button	Plastic
2	Pilot regulate axle	Carbon steel
3	Hex nut	Free Machining Steel
4	Flat washer	SPCC
5	Pilot regulate seat	Aluminum
6	Spring	Spring steel
7	Pilot diaphragm assy	Assy
8	Nozzle	Aluminum
9	Middle valve body	Aluminum
10	Main regulate diaphragm	Assy
11	Main valve body	Aluminum
12	Exhaust valve core	Assy
13	Inlet valve core	Assy
14	Bottom cover	Aluminum
15	Filter element	High polymer material

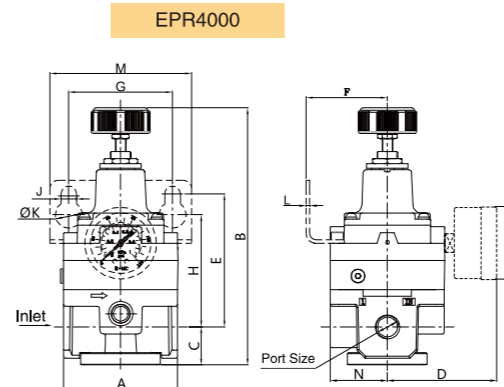
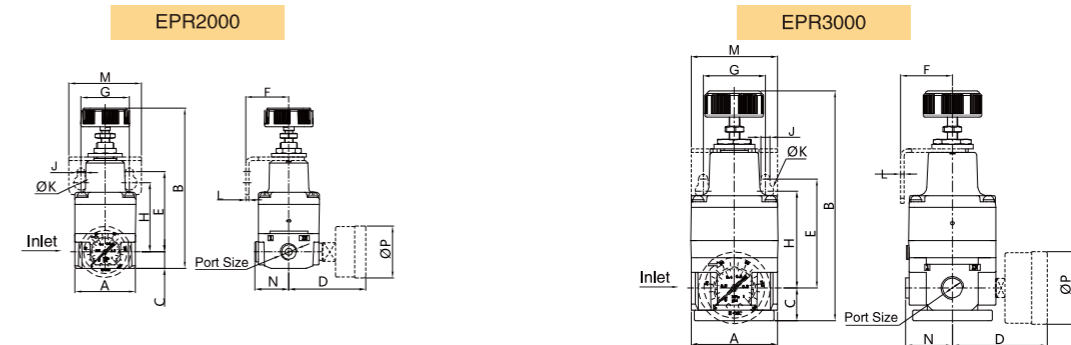
Flow Chart



Pressure Characteristic Diagram



Main Dimension



Model	Port Size	A	B	C	D	E	F	G	H	J	K	L	M	N	P
EPR2000	1/8"	35	93	9.5	44.5	46.5	25	28	40	4.5	8.5	2	42	19.5	30
EPR3000	1/4"	50	133	19	55	63	30	36	56	5.5	9.5	2	50	27	42
EPR4000	1/4", 3/8", 1/2"	66	149	22	63.5	77	47	60	65	9	15.5	2	82	33	42

ETV3000/4000

Electro-Pneumatic Proportional Regulator



Product Features

- Adopt 32-bits CPU, special closed-loop control algorithm to realize the rapid response and precise control effectively;
- Control precision is $\leq \pm 0.5\%$;
- Adopt high-precision built-in pressure sensor to improve control precision effectively;
- Three-color digital display LCD, real-time display actual pressure and setting pressure simultaneously, convenient to confirm and adjust on site;
- Easy to change 4 pressure units(Mpa,Bar,Psi,Kpa)at any time;
- Self-diagnosis;
- Error indication failure alarm;
- 4-pins M12A standard (male) fieldbus connector;
- Easy assembling and operating;
- The built-in filter can be easily removed for cleaning or replacement;
- The valve body made by microdiecast technology;
- Large flow rate;
- Protection class IP65;

How to order?

Series No.	Valve body size	Port size	Pressure range	Input signal	Monitor output	Port size	Bracket	Cable connector type
3000: 3000 Series	02: 1/4"	02: 1/4"	30: 0-0.5MPa/0-5bar/ 0-72psi/0-500KPa	0: 4-20mA	1: 1-5V 4: 4-20mA	Blank: G	Blank: Without bracket	Blank: Without cable connector
4000: 4000 Series	03: 3/8"	03: 3/8"	50: 0-0.9MPa/0-9bar/ 0-130psi/0-900KPa	3: 0-10V	1: 1-5V 4: 4-20mA	P: PT T: NPT	B: Flat bracket C: L-bracket	L: Right angle type 2m S: Straight type 2m
ETV:ETV series Electro-Pneumatic proportional regulator	04: 1/2"	04: 1/2"		0: 4-20mA	1: 1-5V 2: 24V NPN 3: 24V PNP			

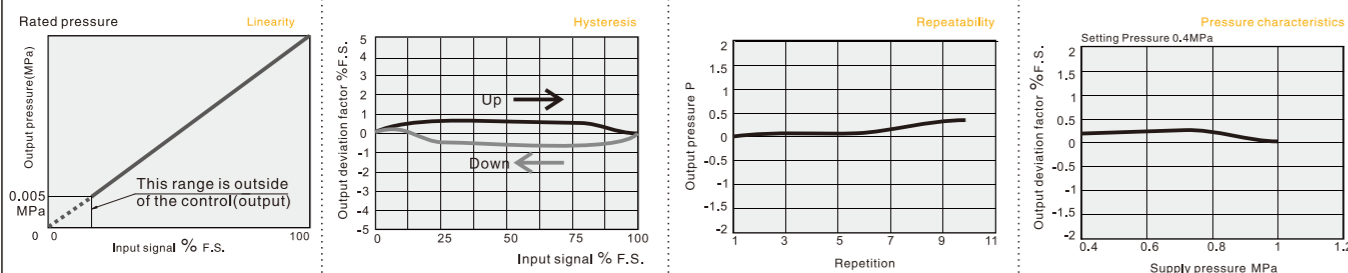
Order Example: ETV series Electro-Pneumatic Proportional Regulator, valve body3000, port size1/4", output pressure 0-0.9MPa,input signa 0-10V, Monitor output1-5V,port size G,Flat bracket,straight type 2m, ERP code is: ETV3000-025031-BS.

ETV Series Assessories Order Code

Cable connector Name	Order code	Bracket Name	Order code
4-pins M12A standard Straight type 2m	M124R-PVC-2M	Flat bracket	FJ-ETV-FA
4-pins M12A standard Right angle type 2m	M124RL-PVC-2M	L-bracket	FJ-ETV-LB

Note: Normal cable connector length is 2m,any other model need to be customized production,max length 10m.

Characteristic Parameters Curve

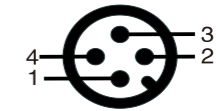


Specifications

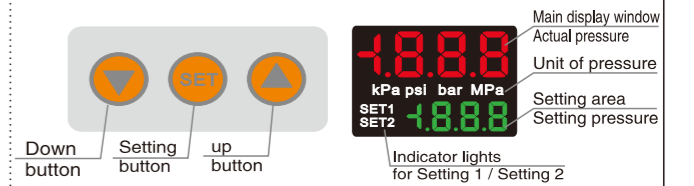
Model	ETV3000-02	ETV3000-03	ETV4000-03	ETV4000-04
Port size	G1/4	G3/8	G3/8	G1/2
Flow rate (Cv)	1.5	2.0	2.5	3
Pressure range	0-0.9MPa			
Input signal	0-10V or 4-20mA(sink)			
Monitor output	4-20mA(sink) / 1-5V			
Connector type	4-pins M12A standard(Male)			
Supply Voltage	DC24V $\pm 10\%$			
Power	$\leq 3W$			
Enclosure	IP65 (DIN40050)			
Working temperature	0-50°C			
Working medium	Clear air(After 5 μ m filtration)			
LCD display	Set pressure and actual pressure display at the same time			
Valve body	Aluminium alloy			
Installation position	Random direction			
Max input pressure	1.0MPa			
Min input pressure	bigger than max output pressure by 0.1Mpa			
Accuracy	$\leq \pm 0.5\%$			
Linearity	$\leq 1.0\%$ F.S.			
Repeatability	$\leq \pm 0.5\%$ F.S.			
Hysteresis	$\leq 0.5\%$ F.S.			

Wiring

Definition	Electrical connection
PIN number	Cable color
PIN1	Brown
PIN2	White
PIN3	Blue
PIN4	Black

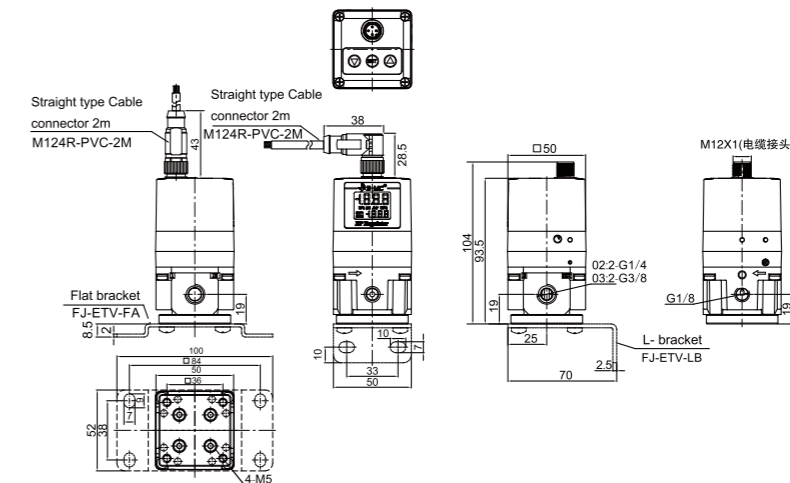


Button & LCD Screen

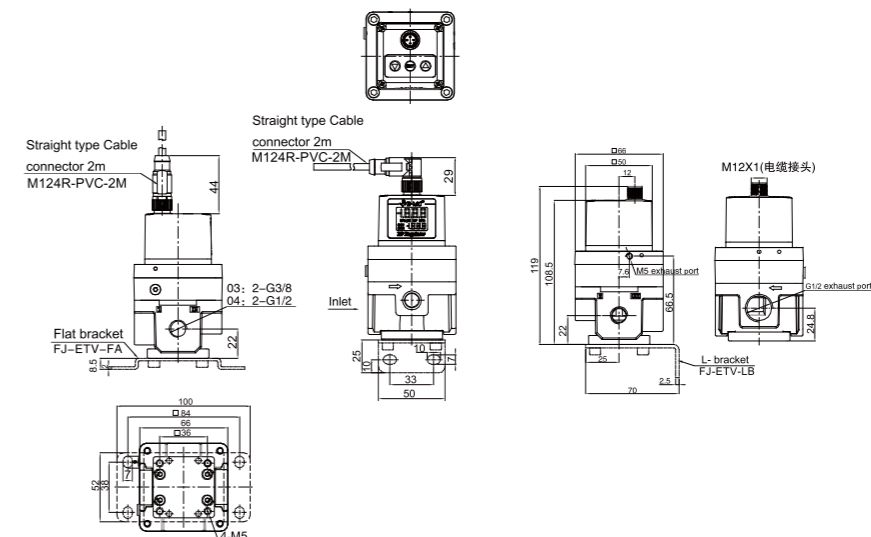


Main Dimension

ETV3000



ETV4000



ERM Mini Regulator



Product Features

- Unique structural design, good pressure characteristics, large flow
- Variety of piping options are available
- Two ports position (Ø4, Ø6) are available
- Multiple installation methods

How to order?

Series NO.	Piping Position	Port Size	Bracket Code	Scale Unit
ERM1000F: ERM series mini pressure regulator single front handwheel type	1. Downward Downward 2. Upward Upward 3. Downward Upward 4. Upward Downward	0404 0606 0604	J: No bracket	1:Mpa 2:Bar 3:Psi

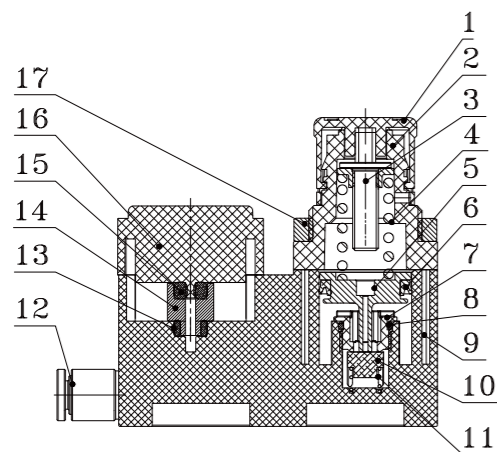
Order Example: ERM series mini pressure regulator single front handwheel type, piping position in downward, out downward, port size in out Ø4~Ø4, no bracket, scale unit Mpa, the ERP code is : ERM1000F-1-0404-J-1

Position Mark	In		Out	
	Downward	Upward	Downward	Upward
1	●		●	
2		●		●
3	●			●
4		●	●	

Portsize Mark	In		Out	
	4	6	4	6
0404	●		●	
0606		●		●
0604			●	●

All joint are straight joint

Internal Structure

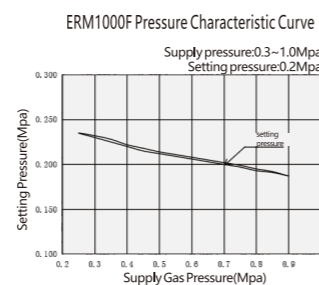


NO.	Part Name	Material	NO.	Part Name	Material
1	Regulating Handle	Plastics	10	Packing Washer	Rubber
2	Valve Cover	Plastics	11	Spring	Stainless Steel
3	Pressure Regulating Screw	Free-Cutting Steel	12	Joint	Stainless Steel + Plastic
4	Spring	SWC	13	Seal	Rubber
5	Piston	Aluminum alloy	14	Vent Pipe	Aluminum alloy
6	Y sealing Ring	Rubber	15	Seal	Rubber
7	Valve Seat	Plastics	16	Pressure Gage	Plastics+Brass
8	O-Ring	Rubber	17	Octagonal Caps	Aluminum Alloy
9	Valve Body	Plastics			

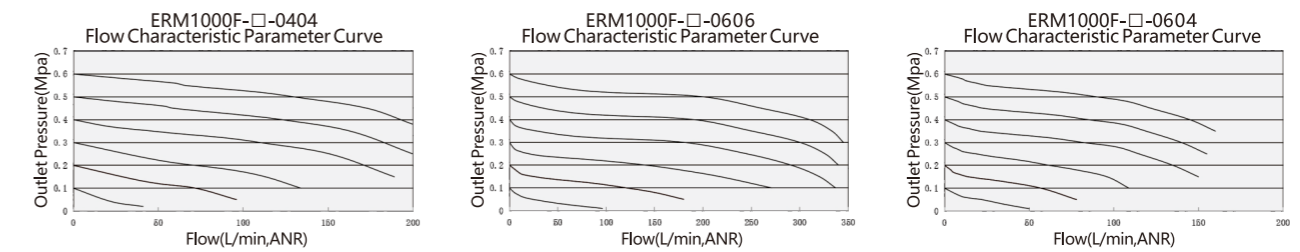
Specifications

Model	ERM1000F
Working Medium	Clean Air
Pressure Regulating Valve Structure	Directly Operated Type
Pressure Mode	Piston
Overflow Structure	Overflow Mode
In External Port	Ø4 Ø6
Out External Port	Ø4 Ø6
Proof Pressure (Mpa)	1.5
Maximum Working Pressure	1.0
Working Pressure Range(Mpa)	0.05 ~ 0.7
Working Temperature (°C)	5 ~ 60
Weight (g)	97

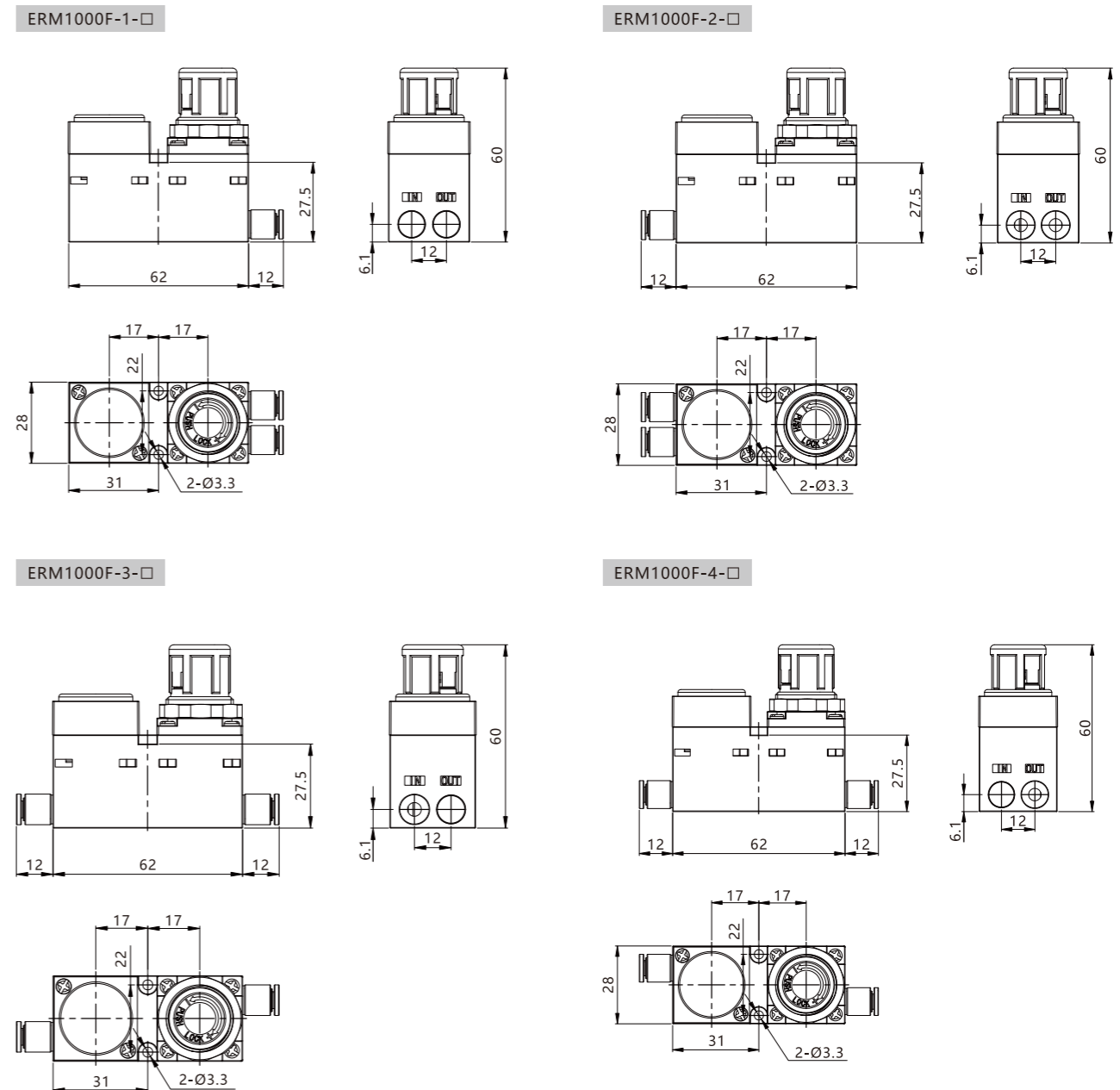
Pressure Characteristic Parameter Curve



Flow Characteristic Parameter Curve



ERM1000F Outline Dimensional Drawing



How to Order?

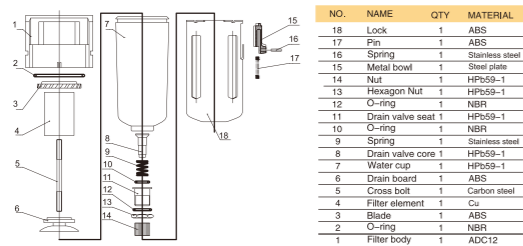
Series No.	Type Code	Body Size	Combination	QTY	Port Size	Drain Type	Pressure Gauge Code	Bracket Code	Scale Unit	Filter Precision	Thread Type
EI: Square gauge series	C: Filter+regulator+lubricator W: Filter+regulator F: Filter R: Regulator L: Lubricator	20: 2000 body 30: 3000 body 40: 4000 body 50: 5000 body	10: Two units (Regulator+Lubricator) 00: Others	2000 01: 1/8" 4000 04: 1/2" 02: 1/4" 5000 06: 3/4" 03: 3/8" 10: 1"	Blank: Manual drain type C: Semi-auto drain D: Auto drain type	Blank: With pressure gauge N: No pressure gauge	Blank: With bracket J: No bracket	1: Mpa 2: Bar *3: Psi (*Need special made)	Blank: 25 μm 5M: 5 μm	Blank: G P: PT T: NPT	

Order Example:

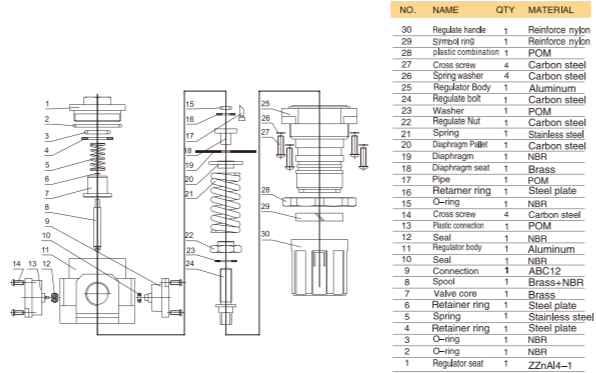
EI series regulator, 2000 body size, 1/8 port size, with pressure gauge, Mpa pressure unit, G thread, ERP code is: EIR2000-01 1
 Note: 1) 2000 series is optional for manual /auto drain type;
 Standard 3000/4000/5000 series are optional for manual/semi-auto/semi-auto integrated drain type.

Air Preparation Unit Kits

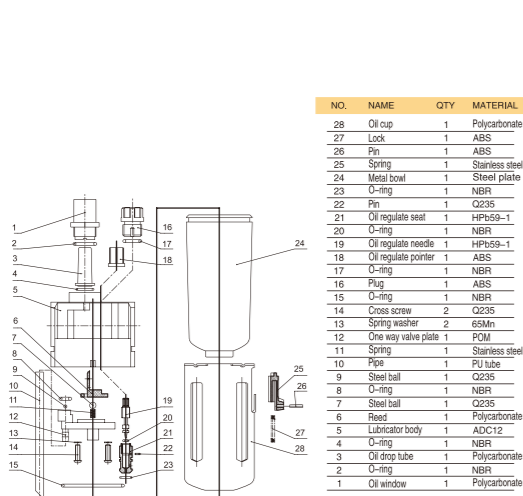
EIF3000



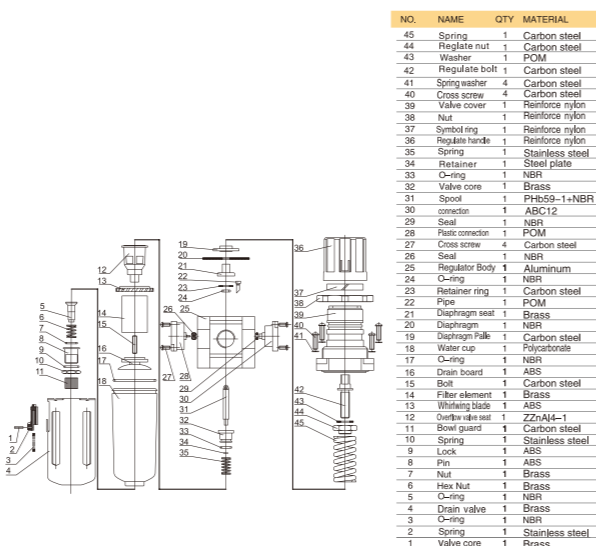
EIR3000



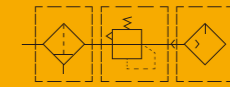
EIL3000



EIW3000



EIC F.R.L



Specifications

Model	EIC2000	EIC3000	EIC4000	EIC5000
Proof Pressure(MPa)	1.5			
Working Pressure Range(MPa)	0.15~1.0			
Pressure Adjustment Range(MPa)	0.05~0.9			
Working temperature(°C)	-5~60			
Filter precision	25μm(5 μm is optional)			
Recommended oil	Turbine No.1 Oil ISOVG32			
Bowl material	Polycarbonate			
Bowl guard	None	Available		
Valve type	With overflow			

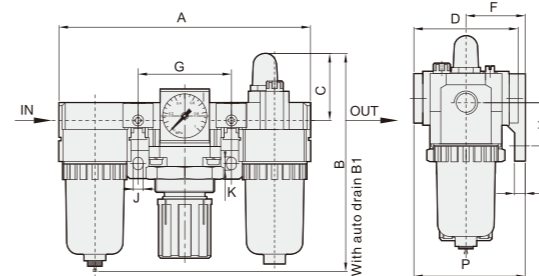
Model	Specifications			* Rated flow (L/min)	* Port size (G)
	Filter	Assembly Regulator	Lubricator		
EIC2000-01				1000	1/8
EIC2000-02	EIF2000	EIR2000	EIL2000	1100	1/4
EIC3000-02	EIF3000	EIR3000	EIL3000	1950	1/4
EIC3000-03				2105	3/8
EIC4000-04	EIF4000	EIR4000	EIL4000	5200	1/2
EIC5000-06	EIF5000	EIR5000	EIL5000	6200	3/4
EIC5000-10				6500	1

* The above information is based on 8.0 Bar supply pressure and 6.3 Bar set pressure

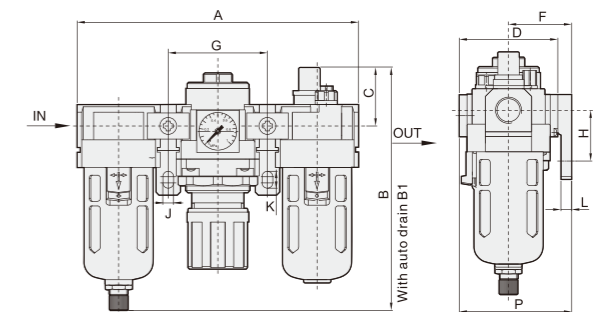
* NPT,PT port size is optional

Main Dimension

EIC2000

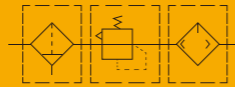


EIC3000-EIC5000



Model	Port Size (G)	A	B	B1	C	D	F	G	H	J	K	L	P
EIC2000	1/8"-1/4"	140	123	161	37.5	54	30	50	24	5.5	8.5	5	57
EIC3000	1/4"-3/8"	184	157.5	170	39	64	41	65	35	7.5	11	7.2	71
EIC4000	3/8"-1/2"	238	190	194	40	80	50	84	40	9	13	7.2	88
EIC5000	3/4"-1"	300	271.5	274.5	45.5	90	69.8	105	50	12	16	10.5	115

EIC FR.L



Specifications

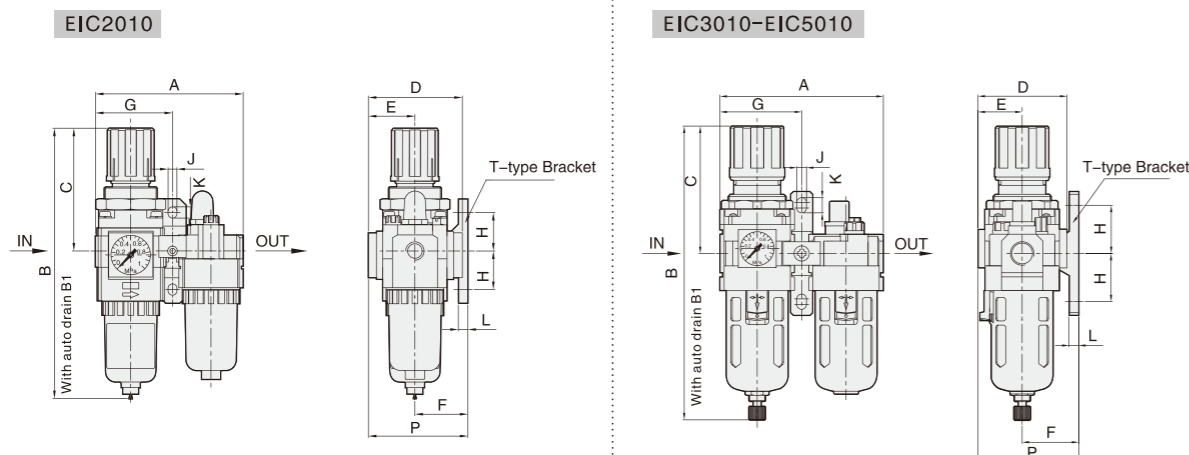
Model	EIC2010	EIC3010	EIC4010	EIC5010
Proof Pressure(MPa)	1.5			
Working Pressure Range(MPa)	0.15~1.0			
Pressure Adjustment Range(MPa)	0.05~0.9			
Working temperature(°C)	-5~60			
Filter precision	25µm(5 µm is optional)			
Recommended oil	Turbine No.1 Oil ISOVG32			
Bowl material	Polycarbonate			
Bowl guard	None	Available		
Valve type	With overflow			

Model	Assembly		* Rated flow (L/min)	*Port size (G)
	Filter with pressure reducer	Lubricator		
EIC2010-01	EIW2000	EIL2000	945	1/8
EIC2010-02			960	1/4
EIC3010-02	EIW3000	EIL3000	1874	1/4
EIC3010-03			1956	3/8
EIC4010-04	EIW4000	EIL4000	5120	1/2
EIC5010-06	EIW5000	EIL5000	6000	3/4
EIC5010-10			6200	1

* The above information is based on 8.0 Bar supply pressure and 6.3 Bar set pressure

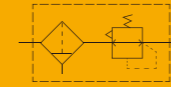
* NPT,PT port size is optional

Main Dimension



Model	Port Size (G)	A	B	B1	C	D	E	F	G	H	J	K	L	P
EIC2010	1/8"-1/4"	90	168.5	205.5	82	54	27	29.5	45	24	5.5	8.5	5	56.5
EIC3010	1/4"-3/8"	117	210.5	224.5	92	63	31.5	40	59.5	35	7.5	11	7.2	71.5
EIC4010	3/8"-1/2"	154	264	267	113.5	80	40	49.5	77	39	9	13	7.2	89.5
EIC5010	3/4"-1"	195	343	348	121.5	94	47	68.5	97.5	50	12	16	10.5	115.5

EIW F&R



Specifications

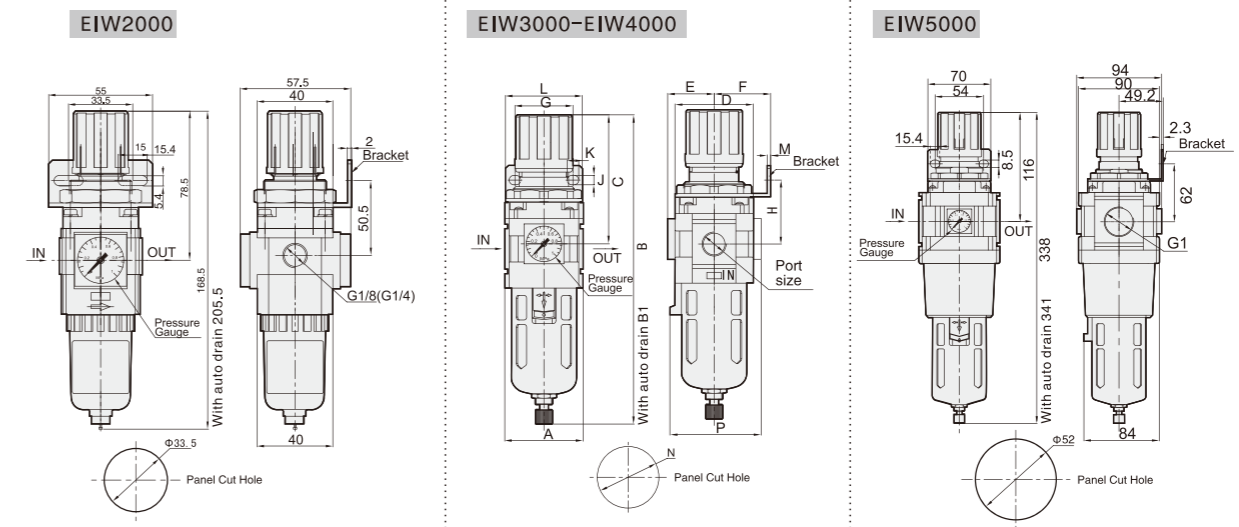
Model	EIW2000	EIW3000	EIW4000	EIW5000
Proof Pressure(MPa)	1.5			
Working Pressure Range(MPa)	0.15~1.0			
Pressure Adjustment Range(MPa)	0.05~0.9			
Working temperature(°C)	-5~60			
Filter precision	25µm(5 µm is optional)			
Bowl material	Polycarbonate			
Bowl guard (MPa)	None	Available		
Valve type	With overflow			

Model	Specifications		Drain function	Auto drain model
	*Rated flow (L/min)	*Port size(G)		
EIW2000-01	1078	1/8	Manual drain	EIW2000-01D
EIW2000-02	1165	1/4		EIW2000-02D
EIW3000-02	1998	1/4	Zero pressure drain/Manual drain	EIW3000-02D
EIW3000-03	2177	3/8		EIW3000-03D
EIW4000-04	5211	1/2		EIW4000-04D
EIW5000-06	6200	3/4		EIW5000-06D
EIW5000-10	6400	1		EIW5000-10D

* The above information is based on 8.0 Bar supply pressure and 6.3 Bar set pressure

* NPT,PT port size is optional

Main Dimension



Model	Port Size (G)	A	B	B1	C	D	E	F	G	H	J	K	L	M	N	P	
EIW2000	1/8"-1/4"	40	168.5	205.5	78.5	40	27	30.5	33.5	49.5	5.4	15	55	2	33	40	
EIW3000	1/4"-3/8"	53	210.5	224.5	92	53	31.5	39	40	45.5	6.5	8	53	2	42	63	
EIW4000	3/8"-1/2"	70	264	267	113.5	70	40	48	48	53.5	54.5	8.5	10.5	70	2	52	73
EIW5000	3/4"-1"	90	343	348	116.5	90	47	48	48	53.5	62	8.5	10.5	70	2	52	84

4
EIC

4
EIW

EIF Filter



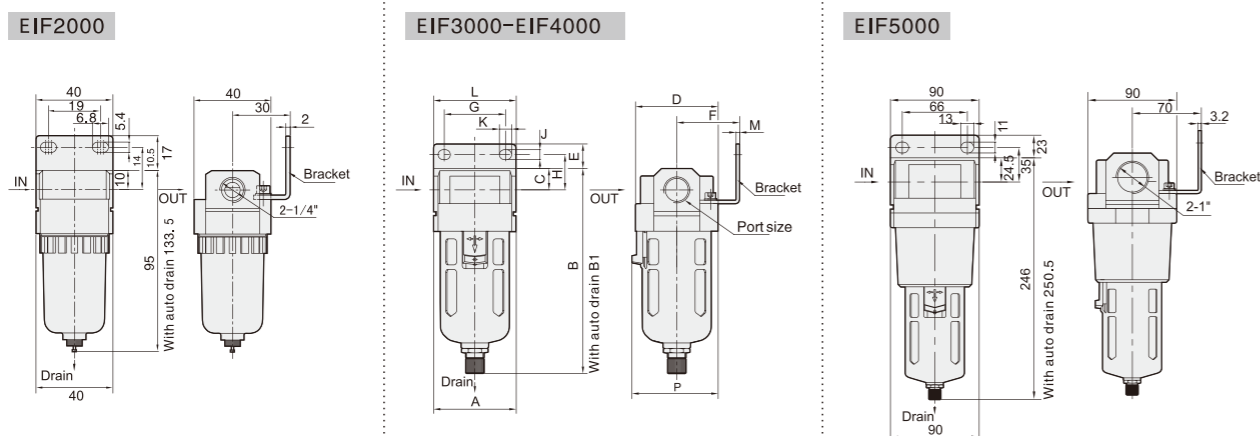
Specifications

Model	EIF2000	EIF3000	EIF4000	EIF5000
Proof pressure(MPa)	1.5			
Working Pressure Range(MPa)	0.15~1.0			
Working temperature(°C)	-5~60			
Filter precision	25µm(5 µm is optional)			
Bowl material	Polycarbonate			
Bowl guard	None	Available		
Entrance pressure(MPa)	0.15~1.0			

Model	Specifications			Drain function	Auto drain model
	*Rated flow (L/min)	*Port size (G)	Bowl capacity (cm³)		
EIF2000-01	1222	1/8	15	Manual drain	EIF2000-01D
EIF2000-02	1278	1/4			EIF2000-02D
EIF3000-02	2006	1/4	20	Zero pressure drain/Manual drain	EIF3000-02D
EIF3000-03	2148	3/8			EIF3000-03D
EIF4000-04	5430	1/2	45	Zero pressure drain/Manual drain	EIF4000-04D
EIF5000-06	8200	3/4			EIF5000-06D
EIF5000-10	8500	1	130		EIF5000-10D

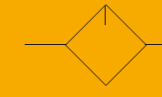
* The above information is based on 6.3 Bar supply pressure and 1.0 Bar set pressure * NPT,PT port size is optional

Main Dimension



Model	Port Size (G)	A	B	B1	C	D	E	F	G	H	J	K	L	M	P
EIF2000	1/8"-1/4"	40	95	133.5	10.5	40	25	31	19	14	17	6.8	40	2	-
EIF3000	1/4"-3/8"	53	132.5	145	14	53	15	41.5	40	22	6.5	8	53	2	56
EIF4000	3/8"-1/2"	70	168	171.5	18	70	18	53	54	27	8.5	10.5	70	2	73
EIF5000	3/4"-1"	90	246	250	24	90	23	67	66	35	11	13	90	3	-

EIL Lubricator



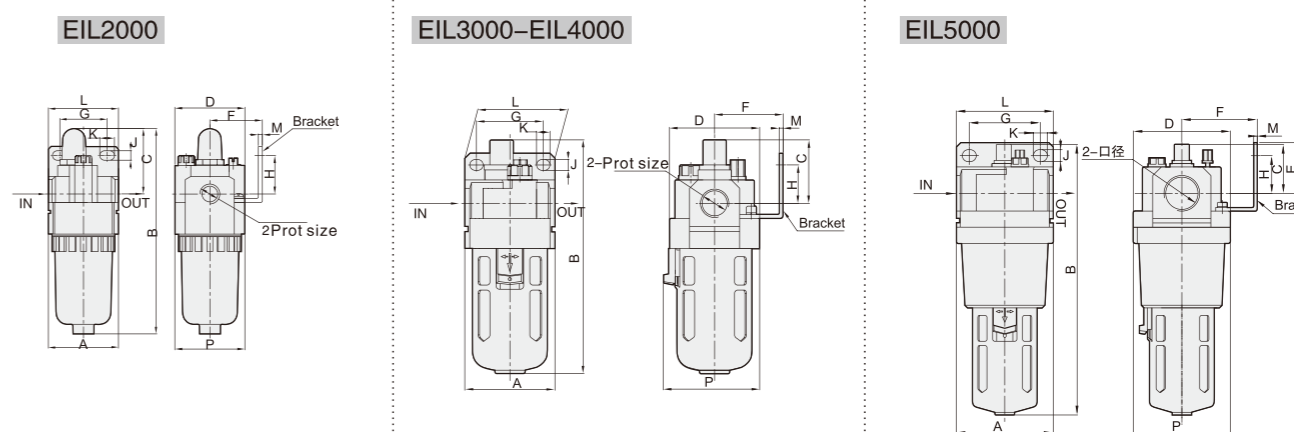
Specifications

Model	EIL2000	EIL3000	EIL4000	EIL5000
Proof pressure(MPa)	1.5			
Working Pressure Range(MPa)	0.05~1.0			
Working temperature(°C)	-5~60			
Recommended oil	Turbine No.1 Oil ISOVG32			
Bowl material	Polycarbonate			
Bowl guard	None	Available		
Entrance pressure(MPa)	0.15~1.0			

Model	Specifications			
	* Minimal flow of oil drop (L/min)	* Rated flow (L/min)	* Port size(G)	Bowl capacity (cm³)
EIL2000-01	15	1300	1/8	25
EIL2000-02		1345	1/4	
EIL3000-02	30	2310	1/4	50
EIL3000-03	40	2375	3/8	
EIL4000-04	50	5532	1/2	130
EIL5000-06	190	7700	3/4	
EIL5000-10		8000	1	130

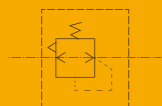
* The above information is based on 6.3 Bar supply pressure, the flow of oil drop is 2-3 drops/ min, the temperature of Turbine No.1 oil is 20°C
* The above information is based on 6.3 Bar supply pressure and 1.0 Bar step down
* NPT,PT port size is optional

Main Dimension



Model	Port Size (G)	A	B	C	D	F	G	H	J	K	L	M	P
EIL2000	1/8"-1/4"	40	115	37.5	40	31	19	14	17	6.8	40	2	40
EIL3000	1/4"-3/8"	53	141	39	53	41	40	23	6.5	8	53	2	56
EIL4000	3/8"-1/2"	70	175	40	70	53	54	26	8.5	10.5	70	2	73
EIL5000	3/4"-1"	90	254	45.5	90	67	66	35	11	13	90	3	90

EIR Regulator



Specifications

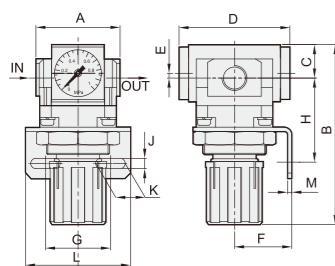
Model	EIR2000	EIR3000	EIR4000	EIR5000
Proof pressure(MPa)	1.5			
Max. working pressure(MPa)	1.0			
Pressure adjusting range (MPa)	0.05-0.9			
Working temperature(°C)	-5-60			
Valve type	With overflow			

Model	Specifications	
	* Rated flow (L/min)	* Port Size (G)
EIR2000-01	1178	1/8
EIR2000-02	1200	1/4
EIR3000-02	2112	1/4
EIR3000-03	2212	3/8
EIR4000-04	5312	1/2
EIR5000-06	6400	3/4
EIR5000-10	6600	1

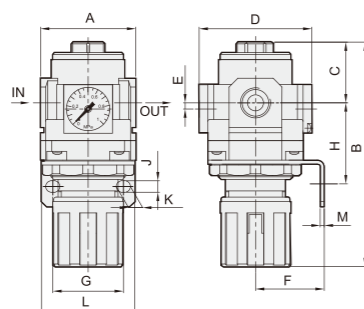
* The above information is based on 8.0 Bar supply pressure and 6.3 Bar set pressure * NPT,PT port size is optional

Main Dimension

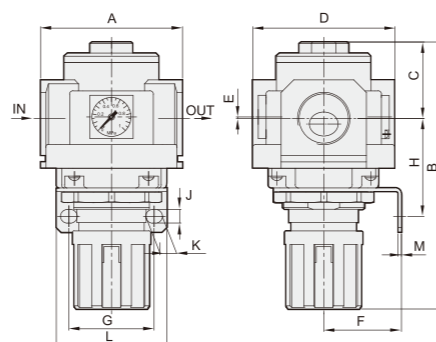
EIR2000



EIR3000-EIR4000



EIR5000



Panel Cut Hole EIR2000~3000: Max 3.5mm
EIR4000~5000: Max 5mm

Model	Port Size (G)	A	B	C	D	E	F	G	H	J	K	L	M	N
EIR2000	1/8"-1/4"	40	95	17	55	1.3	30.5	33.5	44	5.4	15	55	2	33
EIR3000	1/4"-3/8"	53	127.5	34.5	64	3	39	40	46	6.5	8	53	2	42
EIR4000	1/2"	70	149.5	37.5	81	4	48	53.5	54.5	8.5	10.5	70	2	52
EIR5000	3/4"-1"	90	168	49	90	0.5	48	53.5	62	8.5	10.5	70	2	52

EIR-K Regulator with backflow function



How to order?

Series No.	Valve body size	Type code	Port size	Pressure Gauge code	Bracket code	Scale unit	Thread type
EIR:Regulator with square gauge		K: Backflow type		Blank: With Pressure Gauge N: Without Pressure Gauge	Blank: With bracket J: Without bracket	1: Mpa 2: Bar 3: Psi	Blank: G P: PT T: NPT
2000:2000 Series		2000	01: 1/8" 02: 1/4"	4000 04: 1/2" ⊕			
3000:3000 Series		3000	02: 1/4" 03: 3/8"	5000 06: 3/4" 10: 1"			
4000:4000 Series							
5000:5000 Series							

Order Example: Regulator with square gauge, 2000 series body, backflow type, 1/4" port size, with gauge, with bracket, MPa, G thread, ERP code is: EIR2000K-021

- Note:**
1. Backflow type regulator must work separately; the regulator knob must be upward, the air should be left port in and right port out.
 2. 2000 series must work in case of knob upward and left port in & right port out Right port in & left port out is not available currently.
 3. Standard 3000,4000,5000 series with backflow function must conform to above 1st point.If right port in & left port out was requested, EMC can customize it.

Note: ⊕ 3/8" and 3/4" port are not available for 4000 series.

Specification

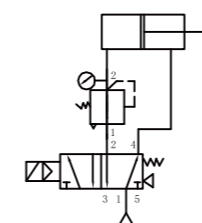
Model	EIR2000K	EIR3000K	EIR4000K	EIR5000K
Working Medium	Clean air(After 40 μm filtration)			
Proof pressure(MPa)	1.5			
Max. Working pressure(MPa)	1.0			
Pressure adjusting range(MPa)	0.05-0.9			
Working temperature(°C)	-5-60 (No freezing)			
Overpressure Exhaust Mechanism	With overflow			

Model	Rated flow(L/min) *	Port size *
EIR2000K-01	1178	1/8"
EIR2000K-02	1200	1/4"
EIR3000K-02	2112	1/4"
EIR3000K-03	2212	3/8"
EIR4000K-04	5312	1/2"
EIR5000K-06	6400	3/4"
EIR5000K-10	6600	1"

* Supply pressure 8.0Bar, Set pressure 6.3Bar, and pressure difference 1 Bar, testing result shows that standard type and backflow type have same flow rate.
* G, PT, NPT is optional.

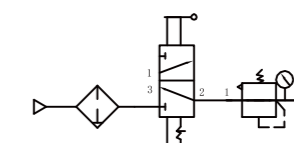
Suitable Applications

1. The pressure is different between piston rod side and the opposite side.



2. Exhaust through the inlet port when air supply stopped. It is a safety precaution.

The residual compress air on the outlet side of pressure reducing valve can be discharged



EIR-K Series Regulator with Backflow Function

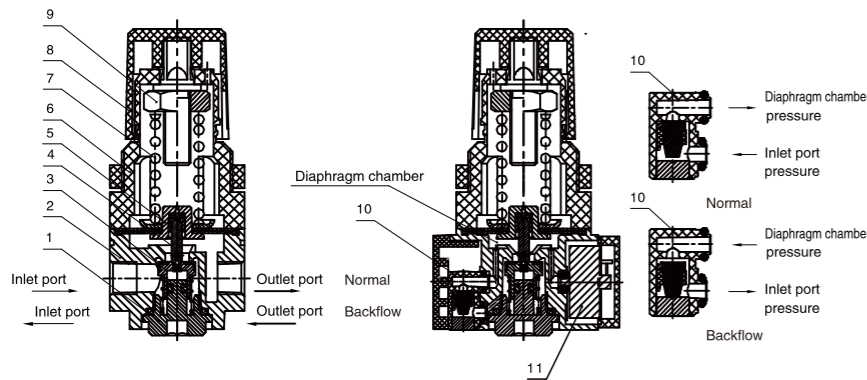
EIW-K Series Filter Regulator with Backflow Function



Construction and working principle

Working principle:

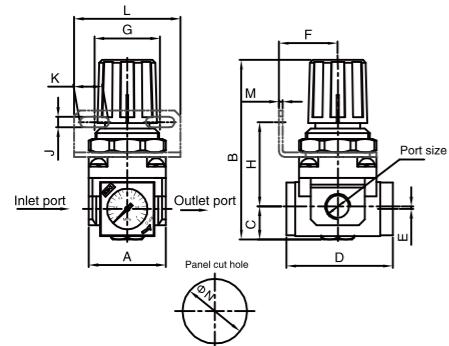
- When inlet pressure is higher than set pressure, one-way valve 10 closes, it works as a normal regulator.
- When the inlet pressure blocked, the one-way valve 10 opens, pressure in diaphragm chamber exhausts from the inlet side. When diaphragm chamber pressure goes down, diaphragm is pushed down by the spring force, The valve core will be open by valve rod, pressure at the outlet side exhaust through the inlet side, it works as a regulator with backflow function.



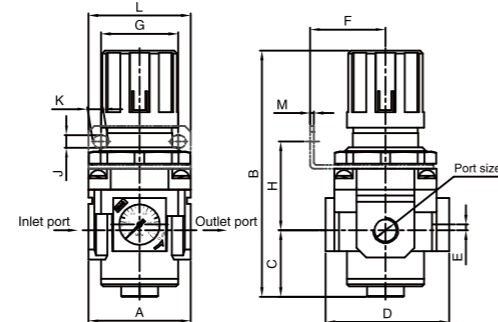
No.	Name	Material
1	Regulator seat	Aluminium
2	Regulator body	Aluminium
3	Valve core	NBR/Metal
4	Spool	Brass
5	Diaphragm components	NBR/Metal
6	Valve cover	Reinforce nylon (2000/3000) Aluminium(4000/5000)
7	Spring	SWC
8	Knob	Reinforce nylon
9	Adjustment bolt components	Free-cutting steel
10	One-way valve components	NBR/Plastic
11	Pressure gauge	Brass/Plastic

Main Dimension

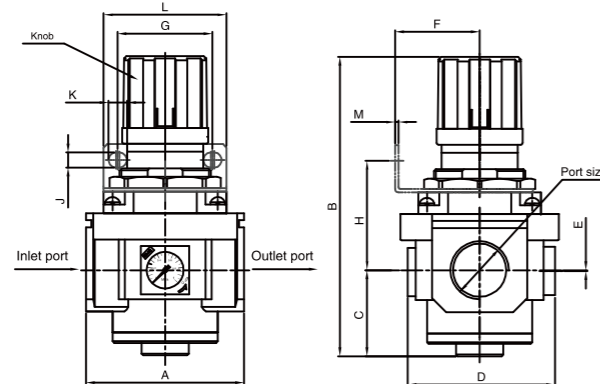
EIR2000K



EIR3000K-EIR4000K



EIR5000K



- Note:**
- Backflow type regulator knob should be upward, left port inlet and right port outlet.
 - Standard regulator knob should be downward, left port inlet and right port outlet. (Refer to EI series of standard type)
 - The installation size and dimensions of standard and backflow type are same.

Model	Port size	A	B	C	D	E	F	G	H	J	K	L	M	N
EIR2000K	1/8" -1/4"	40	95	17	55	1.3	30.5	33.5	44	5.4	15	55	2	33
EIR3000K	1/4" -3/8"	53	127.5	34.5	64	3	39	40	46	6.5	8	53	2	42
EIR4000K	1/2"	70	149.5	37.5	81	4	48	53.5	54.5	8.5	10.5	70	2	52
EIR5000K	3/4" -1"	90	168	49	90	0.5	48	53.5	62	8.5	10.5	70	2	52

EIW-K

Filter regulator with backflow function



How to order?

Series No.	Valve body size	Type code	Port size	Drain Type	Pressure Gauge Code	Bracket code	Scale unit	Filter Precision	Thread type
EIW:Regulator filter with square gauge		K: Backflow type		Blank: Manual drain type C: Semi-auto drain D: Auto Drain type			1: Mpa 2: Bar 3: Psi	Blank: 25 μm 5M: 5 μm	Blank: G P: PT T: NPT
2000:2000 Series		2000	01: 1/8" 02: 1/4"	4000 03: 3/8" 04: 1/2" 06: 3/4"		Blank: With bracket J: Without bracket			
3000:3000 Series									
4000:4000 Series									
5000:5000 Series		3000	02: 1/4" 03: 3/8"	5000 06: 3/4" 10: 1"		Blank: With pressure gauge N: Without pressure gauge			

Order Example: Regulator filter with square gauge, 2000 series body, backflow type, 1/4" port, auto drain type, with gauge, with bracket, MPa, filter precision 5 μm, G thread, ERP code is:EIW2000K-02D15M.

- Note:**
- Backflow type regulator filter must work separately; the knob must be upward, the air should be left port in and right port out.
 - 2000 series must work in case of knob upward and left port in & right port out. Right port in & left port out is not available currently.
 - Standard 3000,4000,5000 series with backflow function must conform to above 1st point. If right port in & left port out was requested, EMC can customize it.

Specification

Model	EIW2000K	EIW3000K	EIW4000K	EIW5000K
Working Medium	Clean air(After 40 μm filtration)			
Proof pressure(MPa)	1.5			
Working Pressure Range(MPa)	0.15-1.0			
Pressure Adjustment Range(MPa)	0.05-0.9			
Working temperature(°C)	-5-60 (No freezing)			
Filter precision	25 μm/5 μm optional			
Bowl material	PC(Polycarbonate)			
Bowl guard	None	Available		
Overpressure Exhaust Mechanism	With overflow			

Model	Rated flow(L/min) *	Port size *
EIW2000K-01	1078	1/8"
EIW2000K-02	1165	1/4"
EIW3000K-02	1998	1/4"
EIW3000K-03	2177	3/8"
EIW4000K-03	5108	3/8"
EIW4000K-04	5211	1/2"
EIW4000K-06	5900	3/4"
EIW5000K-06	6200	3/4"
EIW5000K-10	6400	1"

* Supply pressure 8.0Bar, Set pressure 6.3Bar, and pressure difference 1 Bar, testing result shows that standard type and backflow type have same flow rate.
* G, PT, NPT is optional.

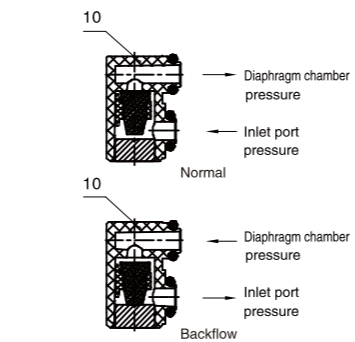
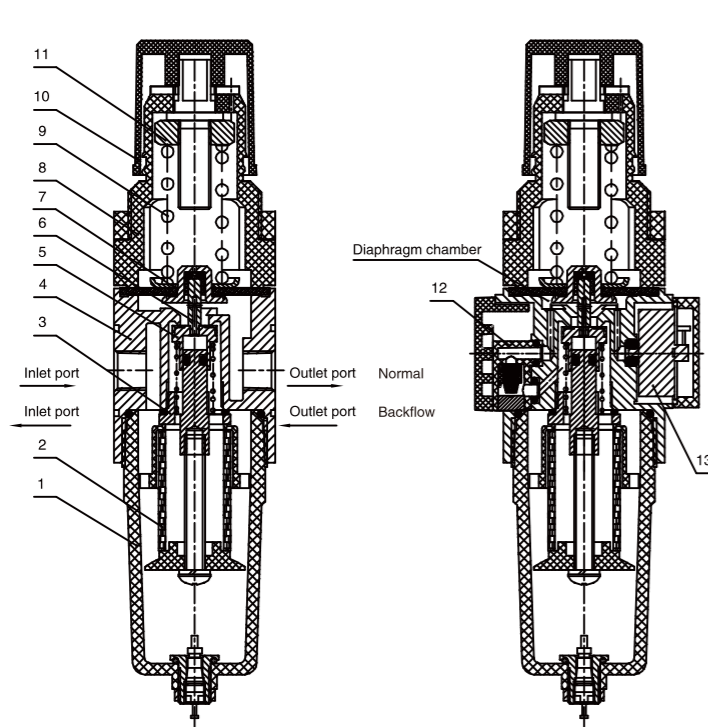
4
EIR
Backflow function

4
EIW
Backflow function

Construction and working principle

Working principle:

- When inlet pressure is higher than set pressure, one-way valve 10 closes, it works as a normal regulator.
- When the inlet pressure blocked, the one-way valve 12 opens, pressure in diaphragm chamber exhausts from the inlet side. When diaphragm chamber pressure goes down, diaphragm is pushed down by the spring force, The valve core will be open by valve rod, pressure at the outlet side exhaust through the inlet side, it works as a regulator with backflow function.



No.	Name	Material
1	Bowl components	Polycarbonate/Metal
2	Filter core	Brass
3	Relieving valve seat	Aluminium
4	Body	Aluminium
5	Valve core components	NBR/Metal
6	Valve spool	Brass
7	Diaphragm components	NBR/Metal
8	Valve cover	Reinforce nylon (2000/3000) Aluminium(4000/5000)
9	Spring	SWC
10	Knob	Reinforce nylon
11	Adjustment bolt components	Free-cutting steel
12	One-way valve components	NBR/Plastic
13	Pressure gauge	Brass/Plastic

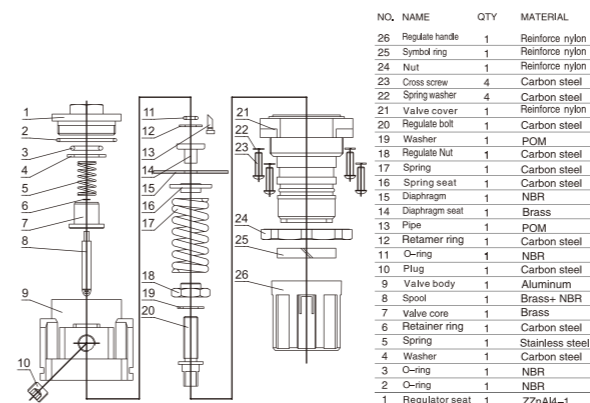
How to Order?

Series No.	Type Code	Body Size	Combination QTY	Port Size	Drain Type	Pressure Gauge Code	Bracket Code	Scale Unit	Filter Precision	Thread Type
E: Round gauge series			10: Two units (Regulator+Lubricator) 00: Others	Blank: Manual drain type C: Semi-auto drain D: Auto Drain type	Blank: With bracket J: No bracket	Blank: With pressure gauge N: No pressure gauge	Blank: 25 µm 5M: 5 µm	4: Mpa/Psi(Default) 5: Bar/Psi	Blank: G P: PT T: NPT	
C: Filter+regulator-lubricator	10: 1000 body	20: 2000 body	30: 3000 body	40: 4000 body	50: 5000 body	1000 M5: M5	2000 01: 1/8"	3000 02: 1/4"	4000 03: 3/8"	5000 06: 3/4"
W: Filter+regulator	1000 01: 1/8"	2000 02: 1/4"	3000 03: 1/2"	4000 04: 3/4"	5000 06: 3/4"					
F: Filter										
R: Regulator										
L: Lubricator										

Order Example:
E series regulator, 2000 body size, 1/8 port size, with pressure gauge, with bracket, scale unit is Mpa/Psi, G thread, ERP code is: ER2000-01 4
Note:2000 Series is optional for manual /auto drain type;
Standard 3000/4000/5000 Series are optional for manual/semi-auto/semi-auto integrated drain type.

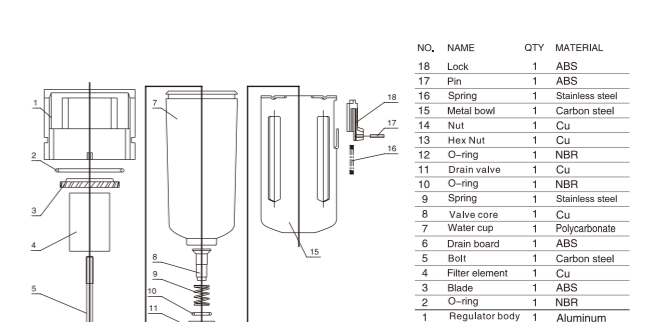
Air Preparation Unit Kits

ER



NO.	NAME	QTY	MATERIAL
26	Regulate handle	1	Reinforce nylon
25	Symbol ring	1	Reinforce nylon
24	Nut	1	Reinforce nylon
23	Crash screw	4	Carbon steel
22	Spring washer	4	Carbon steel
21	Valve cover	1	Reinforce nylon
20	Regulate bolt	1	Carbon steel
19	Washer	1	POM
18	Regulate Nut	1	Carbon steel
17	Spring	1	Carbon steel
16	Spring seat	1	Carbon steel
15	Diaphragm	1	NBR
14	Diaphragm seat	1	Brass
13	Pipe	1	POM
12	Retainer ring	1	Carbon steel
11	O-ring	1	NBR
10	Plug	1	Carbon steel
9	Valve body	1	Aluminum
8	Spool	1	Brass+NBR
7	Valve core	1	Brass
6	Retainer ring	1	Carbon steel
5	Spring	1	Stainless steel
4	Washer	1	Carbon steel
3	O-ring	1	NBR
2	O-ring	1	NBR
1	Regulator seat	1	ZZnAM-1

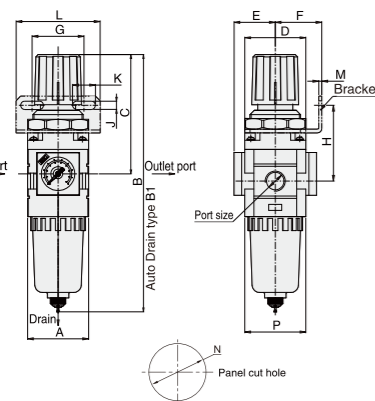
EF



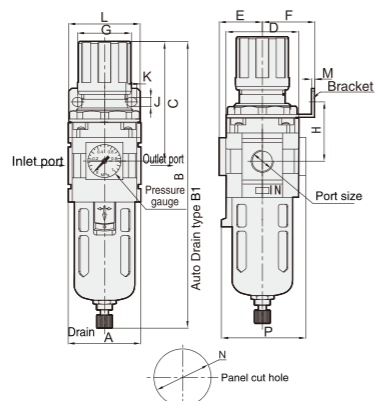
NO.	NAME	QTY	MATERIAL
18	Lock	1	ABS
17	Pin	1	ABS
16	Metal bowl	1	Stainless steel
15	Metal bowl	1	Carbon steel
14	Nut	1	Cu
13	Hex Nut	1	Cu
12	O-ring	1	NBR
11	Drain valve	1	Cu
10	O-ring	1	NBR
9	Spring	1	Stainless steel
8	Valve core	1	Cu
7	Water cup	1	Polycarbonate
6	Drain board	1	ABS
5	Bolt	1	Carbon steel
4	Filter element	1	Cu
3	Blade	1	ABS
2	O-ring	1	NBR
1	Regulator body	1	Aluminum

Main Dimension

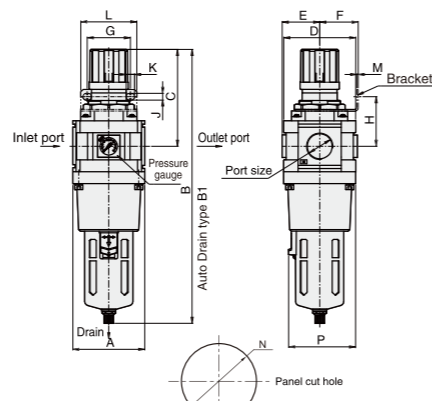
EIW2000K



EIW3000K-EIW4000K

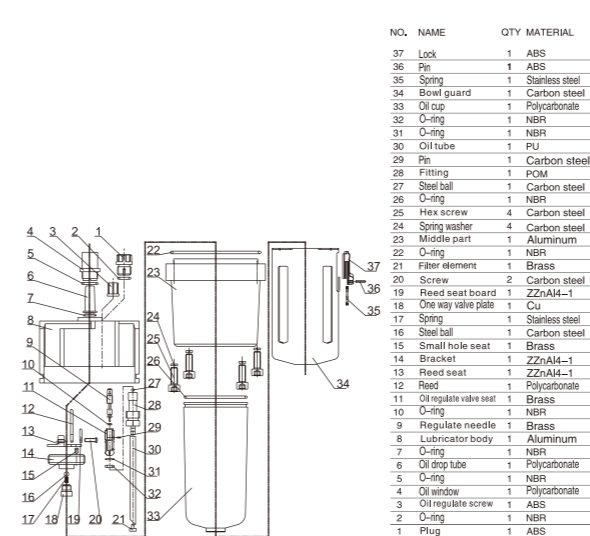


EIW5000K



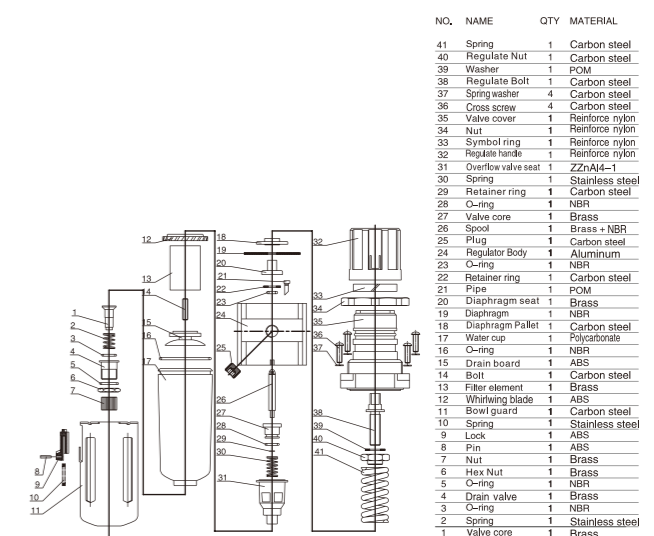
Model	Port size	A	B	B1	C	D	E	F	G	H	J	K	L	M	N	P
EIW2000K	1/8"-1/4"	40	168.5	205.5	78.5	40	27	30.5	33.5	49.5	5.4	15	55	2	33	40
EIW3000K	1/4"-3/8"	53	210.5	224.5	92	53	31.5	39	40	45.5	6.5	8	53	2	42	63
EIW4000K	3/8"-1/2"	70	264	267	113.5	70	40	48	53.5	54.5	8.5	10.5	70	2	52	73
EIW4000K-06	3/4"	90	343	348	116.5	90	47	48	53.5	62	8.5	10.5	70	2	52	84
EIW5000K	3/4"-1"	90	343	348	116.5	90	47	48	53.5	62	8.5	10.5	70	2	52	84

EL



NO.	NAME	QTY	MATERIAL
37	Lock	1	ABS
36	Pin	1	ABS
35	Spring	1	Stainless steel
34	Bowl guard	1	Carbon steel
33	Oil cup	1	Polycarbonate
32	O-ring	1	NBR
31	O-ring	1	NBR
30	Oil tube	1	PU
29	Pin	1	Carbon steel
28	Fitting	1	POM
27	Steel ball	1	Carbon steel
26	O-ring	1	NBR
25	Hex screw	4	Carbon steel
24	Spring washer	4	Carbon steel
23	Middle part	1	Aluminum
22	O-ring	1	NBR
21	Fiber element	1	Brass
20	Screw	2	Carbon steel
19	Reed seat board	1	ZZnAM-1
18	One way valve plate	1	Cu
17	Spring	1	Stainless steel
16	Steel ball	1	Carbon steel
15	Small hole seat	1	Brass
14	Bracket	1	ZZnAM-1
13	Reed seat	1	ZZnAM-1
12	Reed	1	Polycarbonate
11	Oil regulate valve seat	1	Brass
10	O-ring	1	NBR
9	Regulate needle	1	Brass
8	Lubricator body	1	Aluminum
7	O-ring	1	NBR
6	Oil drip tube	1	Polycarbonate
5	O-ring	1	NBR
4	Oil window	1	Polycarbonate
3	Oil regulate screw	1	ABS
2	O-ring	1	NBR
1	Plug	1	ABS

EW

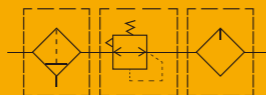


NO.	NAME	QTY	MATERIAL
41	Spring	1	Carbon steel
40	Regulate Nut	1	Carbon steel
39	Washer	1	POM
38	Regulate Bolt	1	Carbon steel
37	Spring washer	4	Carbon steel
36	Cross screw	4	Carbon steel
35	Valve cover	1	Reinforce nylon
34	Nut	1	Reinforce nylon
33	Symbol ring	1	Reinforce nylon
32	Regulate handle	1	Reinforce nylon
31	Overflow valve seat	1	ZZnAM-1
30	Spring	1	Stainless steel
29	Retainer ring	1	Carbon steel
28	O-ring	1	NBR
27	Valve core	1	Brass
26	Spool	1	Brass + NBR
25	Plug	1	Carbon steel
24	Regulator Body	1	Aluminum
23	Diaphragm seat	1	Brass
22	Retainer ring	1	Carbon steel
21	Pipe	1	POM
20	Diaphragm seat	1	Brass
19	Diaphragm	1	NBR
18	Diaphragm Pallet	1	Carbon steel
17	Water cup	1	Polycarbonate
16	O-ring	1	NBR
15	Drain board	1	ABS
14	Bolt	1	Carbon steel
13	Filter element	1	Brass
12	Whirling blade	1	ABS
11	Bowl guard	1	Carbon steel
10	Spring	1	Stainless steel
9	Lock	1	ABS
8	Pin	1	ABS
7	Nut	1	Brass
6	Hex Nut	1	Brass
5	O-ring	1	NBR
4	Drain valve	1	Brass
3	O-ring	1	NBR
2	Spring	1	Stainless steel
1	Valve core	1	Brass

4
EIW Backflow function

4
EC

EC F.R.L



Specifications

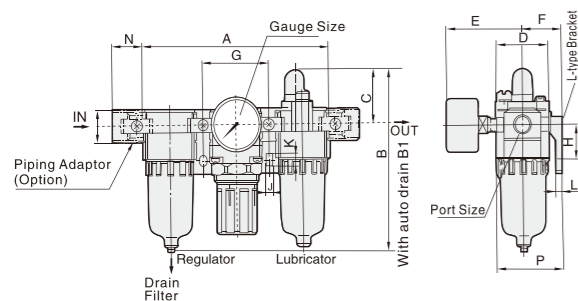
Model	EC1000	EC2000	EC2500	EC3000	EC4000	EC5000
Proof pressure(MPa)	1.5					
Max. working pressure(MPa)	1.0					
Working temperature(°C)	-5-60 (No freezing)					
Filter precision	25µm (5 µm is optional)					
Recommended oil	Turbine No.1 Oil ISOVG32					
Bowl material	Polycarbonate					
Bowl guard	None			Available		
Pressure adjusting range(MPa)	0.15-0.85					
Valve type	With overflow					

Model	Specifications							Accessories Bracket(Two)
	Assembly			* Rated flow (L/min)	** Port size (G)	Pressure gauge thread size (G)	Weight (kg)	
	Filter	Regulator	Lubricator					
EC1000-M5	EF1000	ER1000	EL1000	90	M5	1/16	0.26	Y10L
EC2000-01	EF2000	ER2000	EL2000	1000	1/8	1/8	0.74	Y20L
EC2000-02				1100	1/4			
EC3000-02	EF3000	ER3000	EL3000	1950	1/4	1/8	1.18	Y30L
EC3000-03				2105	3/8			
EC4000-03				4950	3/8			
EC4000-04	EF4000	ER4000	EL4000	5200	1/2	1/4	2.14	Y40L
EC4000-06	EF4000-06	ER4000-06	EL4000-06	5600	3/4	1/4	2.47	Y50L
EC5000-06	EF5000	ER5000	EL5000	6200	3/4	1/4	3.82	Y60L
EC5000-10				6500	1			

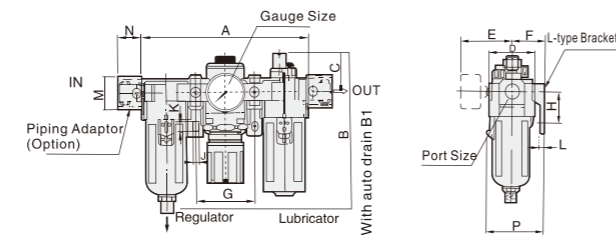
* The above information is based on 8.0 Bar supply pressure and 6.3 Bar set pressure * NPT,PT port size is optional

Main Dimension

EC1000-EC2000

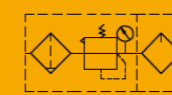


EC3000-EC5000



Model	Port Size (G)	A	B	B1	C	D	E	F	G	H	J	K	L	M	N	P
EC1000	M5	91	84.5	-	25.5	25	26	25	33	20	4.5	7.5	5	17.5	16	38.5
EC2000	1/8"-1/4"	140	123.5	161	37.5	40	53	30	50	24	5.5	8.5	5	22	23	50
EC3000	1/4"-3/8"	181	157.5	170	39	53	57	41	64	35	7.5	11	7.2	34.2	26	70.5
EC4000	3/8"-1/2"	238	190	194	40	70	62	50	84	40	9	13	7.2	42.2	33	88
EC4000-06	3/4"	253	191.5	194.5	39	70	66	50	89	40	9	13	7.2	46.2	36	88
EC5000	3/4"-1"	300	271.5	274.5	45.5	90	72	69.8	105	50	12	16	10.5	55.2	40	115

EC FR.L



Specifications

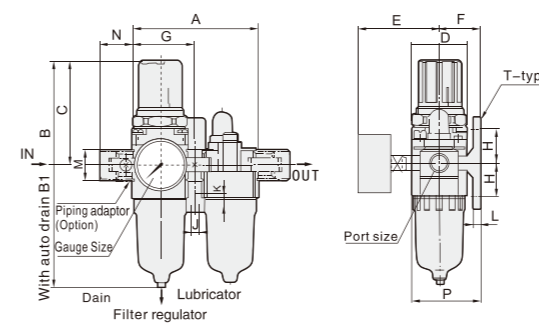
Model	EC1010	EC2010	EC3010	EC4010	EC5010
Proof pressure(MPa)	1.5				
Max. working pressure(MPa)	1.0				
Working temperature(°C)	-5-60 (No freezing)				
Filter precision	25µm (5 µm is optional)				
Recommended oil	Turbine No.1 Oil ISOVG32				
Bowl material	Polycarbonate				
Bowl guard	None			Available	
Pressure adjusting range(MPa)	0.15-0.85				
Valve type	With overflow				

Model	Specifications					Accessories Bracket	
	Assembly		* Rated flow (L/min)	** Port size (G)	Pressure gauge thread size (G)		Weight (kg)
	Filter with pressure	Lubricator					
EC1010-M5	EW1000	EL1000	90	M5	1/16	0.22	Y10T
EC2010-01	EW2000	EL2000	945	1/8	1/8	0.66	Y20T
EC2010-02			960	1/4			
EC3010-02	EW3000	EL3000	1874	1/4	1/8	0.98	Y30T
EC3010-03			1956	3/8			
EC4010-03			4923	3/8			
EC4010-04	EW4000	EL4000	5120	1/2	1/4	1.93	Y40T
EC4010-06	EW4000-06	EL4000-06	5000	3/4	1/4	1.99	Y50T
EC5010-06	EW5000	EL5000	6000	3/4	1/4	3.20	Y60T
EC5010-10			6200	1			

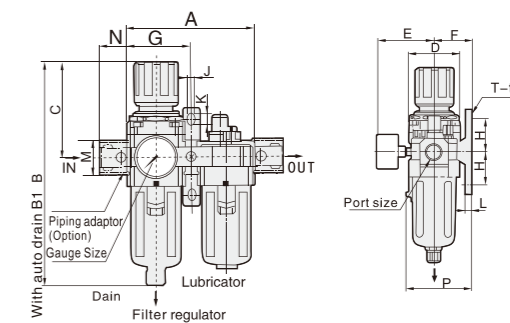
* The above information is based on 8.0 Bar supply pressure and 6.3 Bar set pressure * NPT,PT port size is optional

Main Dimension

EC1010-EC2010

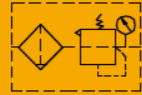


EC3010-EC5010



Model	Port Size (G)	A	B	B1	C	D	E	F	G	H	J	K	L	M	N	P
EC1010	M5	58	109.5	-	50.5	25	26	25	29	20	4.5	7.5	5	17.5	16	38.5
EC2010	1/8"-1/4"	90	162	200	76	40	53	29.5	45	24	5.5	8.5	5	22	23	50
EC3010	1/4"-3/8"	116	210.5	224.5	92	53	51	40	58.5	35	7.5	11	7.2	34.2	26	69.5
EC4010	1/4"-3/8"	154	264	267	113.5	70	67	49.5	77	40	9	13	7.2	42.2	33	88
EC4010-06	3/4"	164	268	271	115	70	67	49.5	82	40	9	13	7.2	46.2	36	88
EC5010	3/4"-1"	195	343	348	116.5	90	72	68.5	97.5	50	12	16	10.5	55.2	40	115

EW F&R



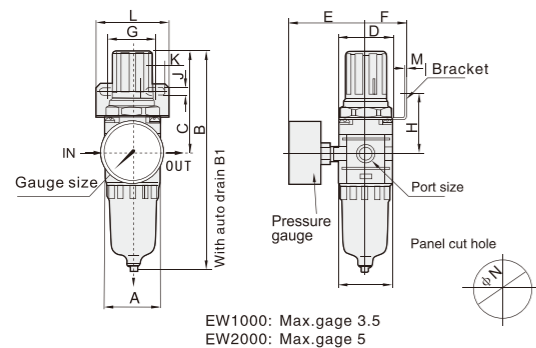
Specifications

Model	EW1000	EW2000	EW3000	EW4000	EW5000
Proof pressure(MPa)			1.5		
Max. working pressure(MPa)			1.0		
Working temperature(°C)			-5~60 (No freezing)		
Filter precision			25µm (5 µm is optional)		
Bowl material			Polycarbonate		
Bowl guard	None			Available	
Pressure adjusting range(MPa)			0.15~0.85		
Valve type			With overflow		

Model	Specifications				Accessories	Drain function	Auto drain model	
	*Rated flow(L/min)	** Port size (G)	Pressure gauge thread size	Weight (kg)				
EW1000-M5	100	M5	1/16	0.09	Bracket			
EW2000-01	1078	1/8	1/8	0.36	B220		EW2000-01D	
EW2000-02	1165	1/4	1/8				EW2000-02D	
EW3000-02	1998	1/4	1/8	0.56	B320		EW3000-02D	
EW3000-03	2177	3/8	1/8				EW3000-03D	
EW4000-03	5108	3/8	1/4	1.15	B420		EW4000-03D	
EW4000-04	5211	1/2	1/4					EW4000-04D
EW4000-06	5750	3/4	1/4	1.21				EW4000-06D
EW5000-06	6200	3/4	1/4	1.70				EW5000-06D
EW5000-10	6400	1	1/4				EW5000-10D	

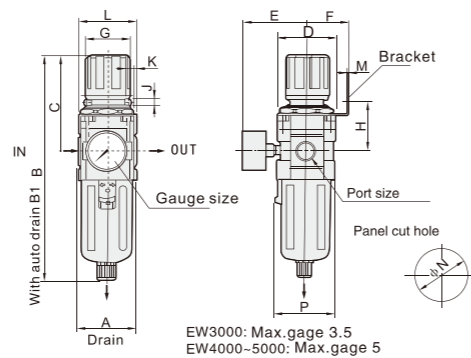
Main Dimension

EW1000-EW2000



EW1000: Max.gage 3.5
EW2000: Max.gage 5

EW3000-EW5000



EW3000: Max.gage 3.5
EW4000-5000: Max.gage 5

Model	Port Size (G)	A	B	B1	C	D	E	F	G	H	J	K	L	M	N	P
EW1000	M5	25	109.5	-	50.5	25	26	25	28	30	4.5	6.5	40	2	20.5	28
EW2000	1/8"-1/4"	40	162	200	76	40	53	30.5	33.5	43	5.4	15	55	2	33	40
EW3000	1/4"-3/8"	53	210.5	224.5	92	53	57	39	40	45	6.5	8	53	2	42	56
EW4000	3/8"-1/2"	70	264	267	113.5	70	67	48	53.5	53.5	8.5	10.5	70	2	52	73
EW4000-06	3/4"	75	268	271	115	70	67	48	53.5	53.5	8.5	10.5	70	2	52	73
EW5000	3/4"-1"	90	343	348	116.5	90	72	48	53.5	62	8.5	10.5	70	2	52	90

EF Filter



Specifications

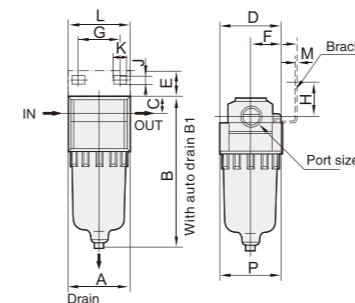
Model	EF1000	EF2000	EF3000	EF4000	EF5000
Proof pressure(MPa)			1.5		
Max. working pressure(MPa)			1.0		
Working temperature(°C)			-5~60 (No freezing)		
Filter precision			25µm (5 µm is optional)		
Bowl material			Polycarbonate		
Bowl guard	None			Available	
Pressure adjusting range(MPa)			0.15~1.0		

Model	Specifications				Accessories	Drain function	Auto drain model
	*Rated flow (L/min)	** Port size (G)	Bowl capacity (CM ³)	Weight (kg)			
EF1000-M5	110	M5	4	0.07	-	Manual drain	
EF2000-01	1222	1/8	15	0.19	B240		EF2000-01D
EF2000-02	1278	1/4					EF2000-02D
EF3000-02	2006	1/4	20	0.29	B340	a. Zero pressure drain b. Manual drain	EF3000-02D
EF3000-03	2148	3/8					EF3000-03D
EF4000-03	5120	3/8	45	0.55	B440		EF4000-03D
EF4000-04	5430	1/2					EF4000-04D
EF4000-06	7680	3/4	45	0.58	B540		EF4000-06D
EF5000-06	8200	3/4	130	1.08	B640		EF5000-06D
EF5000-10	8500	1					EF5000-10D

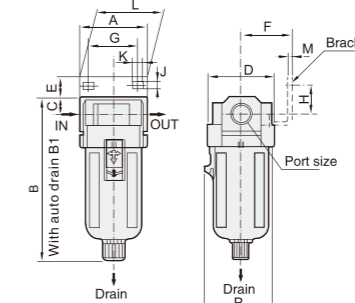
* The above information is based on 6.3 Bar supply pressure and 1.0 Bar set pressure * NPT,PT port size is optional

Main Dimension

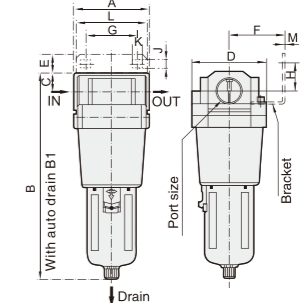
EF1000-EF2000



EF3000-EF4000

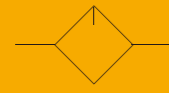


EF5000



Model	Port Size (G)	A	B	B1	C	D	E	F	G	H	J	K	L	M	P
EF1000	M5	25	66	-	7	25	-	-	-	-	-	-	-	-	26.5
EF2000	1/8"-1/4"	40	96.5	134.5	11	40	25	31	19	14	17	6.8	40	2	40
EF3000	1/4"-3/8"	53	132.5	145	14	53	15	41.5	40	22	6.5	8	53	2	56
EF4000	3/8"-1/2"	70	168	171.5	18	70	18	53	54	27	8.5	10.5	70	2	73
EF4000-06	3/4"	75	172.5	175.5	20	70	14	50	54	25	8.5	10.5	70	2	73
EF5000	3/4"-1"	90	246	250	24	90	23	67	66	35	11	13	90	3	90

EL Lubricator



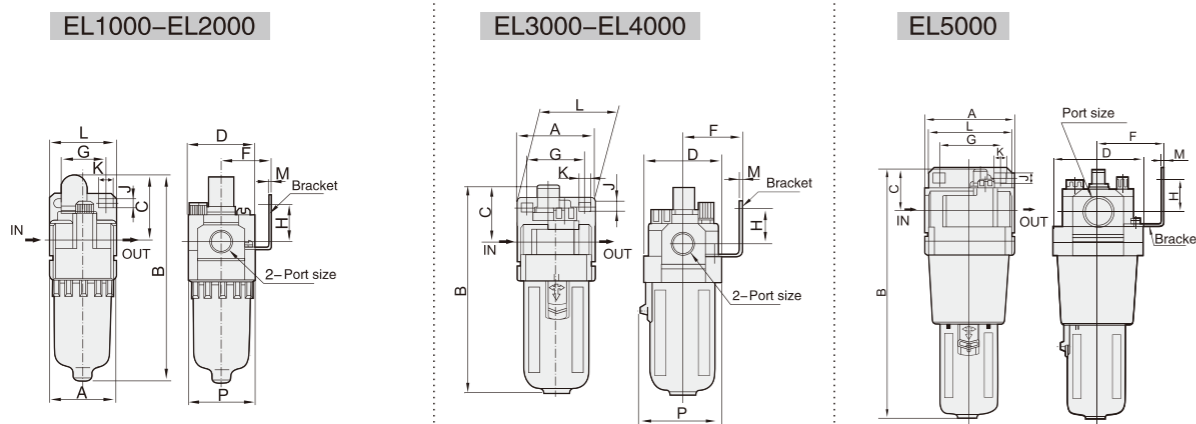
Specifications

Model	EL1000	EL2000	EL3000	EL4000	EL5000
Proof pressure(MPa)	1.5				
Max. working pressure(MPa)	1.0				
Working temperature(°C)	-5~60 (No freezing)				
Filter precision	25µm (5 µm is optional)				
Bowl material	Polycarbonate				
Bowl guard	None				Available
Pressure adjusting range (MPa)	0.15~1.0				

Model	Specifications					Accessories
	Minimal flow of oil drop (L/min)	*Rated flow(L/min)	** Port size (G)	Bowl capacity (CM ³)	Weight (kg)	Bracket
EL1000-M5	4	95	M5	7	0.07	-
EL2000-01	15	1300	1/8	25	0.22	B240
EL2000-02		1345	1/4			
EL3000-02	30	2310	1/4	50	0.50	B340
EL3000-03	40	2375	3/8			
EL4000-03	40	5321	3/8	130	0.56	B440
EL4000-04	50	5532	1/2			
EL4000-06	50	6700	3/4	130	0.58	B540
EL5000-06	190	7700	3/4			
EL5000-10	190	8000	1	130	1.08	B640

- * The above information is based on 6.3 Bar supply pressure, the flow of oil drop is 2~3 drops/min, the temperature of Turbine No.1 oil is 20°C
- ** The above information is based on 6.3 Bar supply pressure and 1.0 Bar step down
- NPT,PT port size is optional

Main Dimension



Model	Port Size (G)	A	B	C	D	F	G	H	J	K	L	M	P
EL1000	M5	25	81.5	25.5	25	-	-	-	-	-	-	-	27
EL2000	1/8"-1/4"	40	115	37.5	40	31	19	14	17	6.8	40	2	40
EL3000	1/4"-3/8"	53	141	39	53	41	40	23	6.5	8	53	2	56
EL4000	3/8"-1/2"	70	175	40	70	53	54	26	8.5	10.5	70	2	73
EL4000-06	3/4"	75	177	39	70	50	54	26	8.5	10.5	70	2	73
EL5000	3/4"-1"	90	254	45.5	90	67	66	35	11	13	90	3	90

ER Regulator



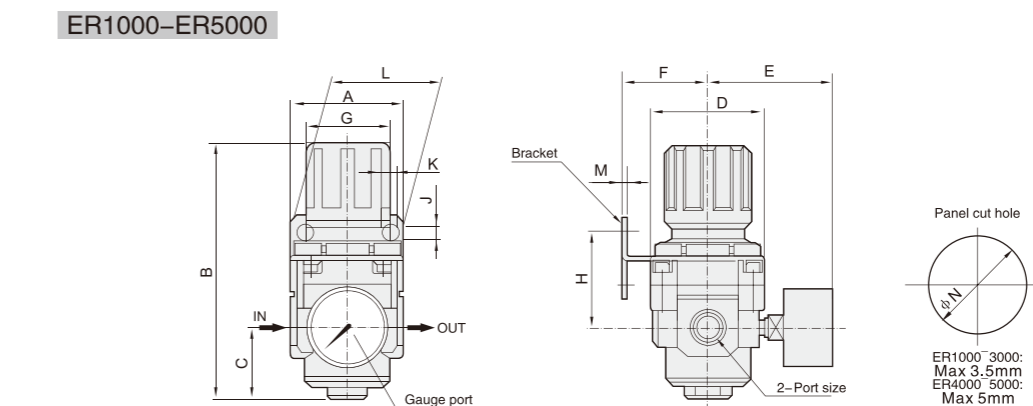
Specifications

Model	ER1000	ER2000	ER3000	ER4000	ER5000
Proof pressure(MPa)	1.5				
Max. working pressure(MPa)	1.0				
Working temperature(°C)	-5~60 (No freezing)				
Pressure adjusting range(MPa)	0.05~0.85				
Valve type	With overflow				

Model	Specifications				Accessories
	*Rated flow(L/min)	** Port size (G)	size (G)	Weight (kg)	Bracket
ER1000-M5	100	M5	1/16	0.08	B120
ER2000-01	1178	1/8	1/8	0.27	B220
ER2000-02	1200	1/4			
ER3000-02	2112	1/4	1/8	0.41	B320
ER3000-03	2212	3/8			
ER4000-03	5020	3/8	1/4	0.84	B420
ER4000-04	5312	1/2			
ER4000-06	6000	3/4	1/4	0.94	
ER5000-06	6400	3/4	1/4	1.19	
ER5000-10	6600	1			

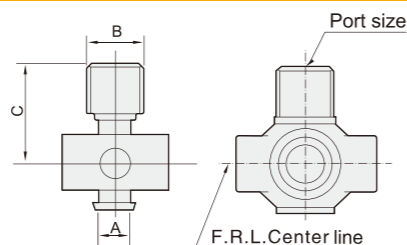
- * The above information is based on 8.0 Bar supply pressure and 6.3 Bar set pressure
- ** NPT,PT port size is optional

Main Dimension



Model	Port Size (G)	A	B	C	D	E	F	G	H	J	K	L	M	N
ER1000	M5	25	61.5	11	25	26	25	28	30	4.5	6.5	40	2	20.5
ER2000	1/8"-1/4"	40	93	17	40	52	30.5	33.5	44	5.4	15	55	2	33
ER3000	1/4"-3/8"	53	127.5	34.5	53	57	39	40	46	6.5	8	53	2	42
ER4000	3/8"-1/2"	70	149.5	40.5	70	62	48	53.5	54.5	8.5	10.5	70	2	52
ER4000-06	3/4"	75	154	40.5	70	66	48	53.5	55.5	8.5	10.5	70	2	52
ER5000	3/4"-1"	90	168	49	90	72	48	53.5	62	8.5	10.5	70	2	52

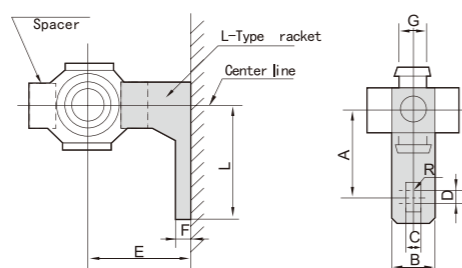
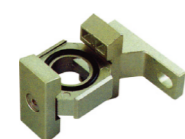
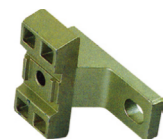
Accessory



Y-Type Spacer

Model	A	Applicable model
Y10	8	EC1000
Y20	10	EC2000
Y30	11	EC2500 - 3000
Y40	14	EC4000
Y50	14	EC4000-06
Y60	15	EC5000

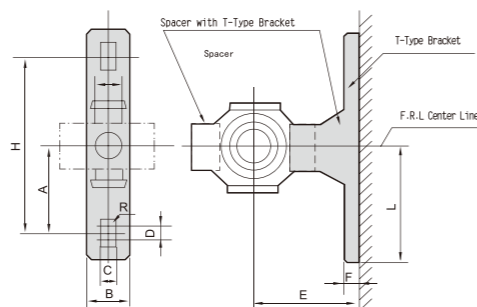
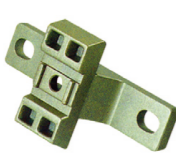
Model	*Port Size (G)	A	B	C	Applicable Model
Y21-01	G1/8	10	19	29	EC2000
Y21-02	G1/4				
Y31-01	G1/8				
Y31-02	G1/4	11	19	33	EC3000
Y41-02	G1/4				
Y41-03	G3/8				
Y61-03	G3/8	15	30	50.5	EC5000
Y61-04	G1/2				



L-Type Bracket Spacer with L-Type Bracket

L-Type Bracket	Spacer with L-Type Bracket	A	B	C	D	E	F	G	R	L	Applicable Model
B110L	Y10L	20	12	4.5	3	25	5	8	2.25	27	EC1000
B210L	Y20L	24	15	5.5	3	30	5	10	2.75	33	EC2000
B310L	Y30L	35	16	7	4	41	7	11	3.5	45	EC2500-EC3000
B410L	Y40L	40	22	9	4	50	7	14	4.5	50	EC4000
B510L	Y50L	40	22	9	4	50	7	14	4.5	50	EC4000-06
B610L	Y60L	50	23	12	4	69.8	10.5	15	6	63	EC5000
IB210L	IY20L	24	15	5.5	3	30	5	10	2.75	33	EIC2000
ILB310L	ILY30L	35	16	7	4	41	7	11	3.5	45	Connect EIC3000 filter and regulator
IRB310L	IRY30L	35	16	7	4	41	7	11	3.5	45	Connect EIC3000 regulator and lubricator

*EIC4000/5000 adopts EC series corresponding model.

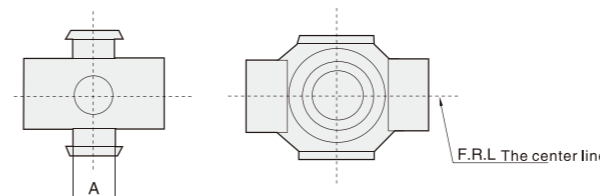


T-Type Bracket Spacer with T-Type Bracket

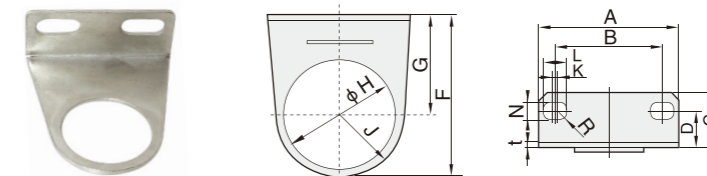
T-Type Bracket	Spacer with T-Type Bracket	A	B	C	D	E	F	G	H	R	L	Applicable Model
B110T	Y10T	20	12	4.5	3	25	5	8	40	2.25	27	EC1010
B210T	Y20T	24	15	5.5	3	30	5	10	48	2.75	33	EC2010
B310T	Y30T	35	16	7	4	41	7	11	70	3.5	45	EC3010
B410T	Y40T	40	22	9	4	50	7	14	80	4.5	50	EC4010
B510T	Y50T	40	22	9	4	50	7	14	80	4.5	50	EC4010-06
B610T	Y60T	50	23	12	4	69.8	10.5	15	100	6	63	EC5010
IB210T	IY20T	24	15	5.5	3	30	5	10	48	2.75	33	EIC2010
IB310T	IY30T	35	16	7	4	41	7	11	70	3.5	45	EIC3010

*EIC4000/5000 adopts EC series corresponding model.

Y-Type Spacer

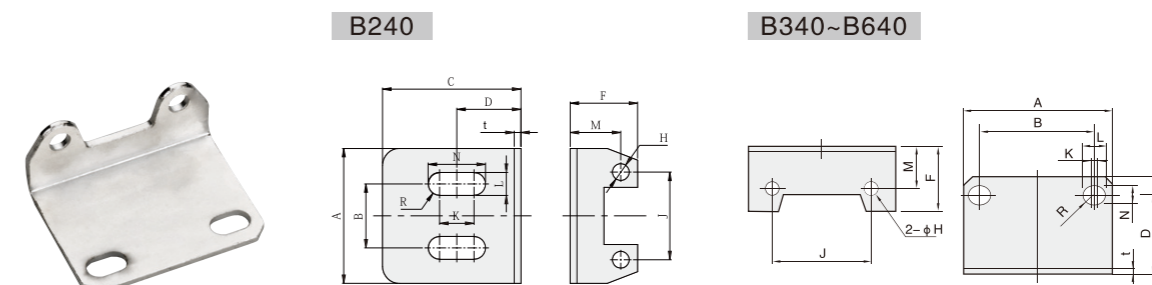


20-Type Bracket



Model	A	B	C	D	F	G	φH	J	K	L	N	R	t	Applicable model
B120	40	28	17	11	37.8	25	20	12.3	2	6.5	4.5	2.25	2	ER/EW 1000
B220	55	33.5	24	18	50.5	30.5	33	20	10	15	5.4	2.7	2	ER/EW 2000, ER2500
B320	53	40	22	14	64	39	42	25	1.5	8	6.5	3.25	2	ER/EW 3000
B420	70	53.5	27	18	78.5	48.2	52	30	2	10.5	8.5	4.25	2	ER4000` 5000 EW4000` 5000

40-Type Bracket



Model	A	B	C	D	F	φH	J	K	L	M	N	R	t	Fixing screw	Applicable model
B240	40	19	41	19	20	5	26	10.2	6.8	15	17	3.4	2	M4x8	EF/EL2000
B340	53	40	38	31.2	23	4.5	35	1.5	8	19	6.5	3.25	2	M4x8	EF/EL3000
B440	70	54	49	40	30	5.5	47	2	10.5	18.4	8.5	4.25	2	M5X12	EF/EL4000
B540	70	54	49	40	30	5.5	47	2	10.5	21.5	8.5	4.25	2	M5X12	EF/EL4000-06
B640	90	66	64	52	43	6.5	60	2	13	29	11	5.5	2	M5X12	EF/EL5000

HED402

Auto Drain



HED402 Auto Drain

◎ Purpose

This product often applies to the low places of auto-remove piping, frozen type air drying machine, oil separator, air storage tank and the bottom of various air filters. It can be installed in the places which are not convenient for manual discharge of sewage, such as high, low, narrow places. Especially, it can be installed in the places with large consumption of air or frequent drain times, to prevent the compressed air to be re-polluted by condensed water resulting from the neglect of manual drain.

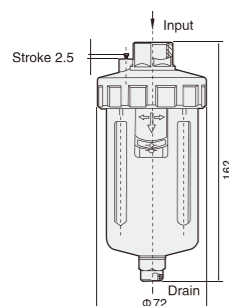
◎ Features

Auto drain/ Zero pressure drain/ The water cup with metal bowl guard.

◎ Attention

The drainer should be installed vertically and the port should face down, when using.

◎ Main Dimension



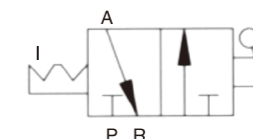
Model	HED402-02	HED402-03	HED402-04
Working medium	Compressed air		
Working pressure (MPa)	0.15~1.0		
Guaranteed pressure resistance (MPa)	1.5		
Working temperature (°C)	5~60		
Port size	G1/4	G3/8	G1/2
Drain port size	G1/8		
Drain status	Normal open		

EVSH

Pressure Relief Valve (3/2)



EVSH



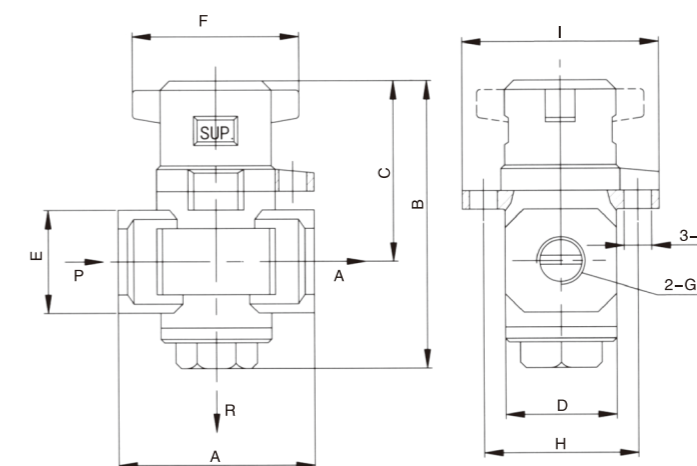
◎ How to Order?

Series No.	Body Size	Port Size	Thread Type
EVSH Series	2000: 2000 Body	01: 1/8"	Blank: G P: PT T: NPT
		02: 1/4"	
	3000: 3000 Body	03: 3/8"	
		04: 1/2"	

Order Example:

EVSH series 3/2 way check valve, 2000 body size, 1/4" port size, PT thread, ERP code is: EVSH2000-02-P

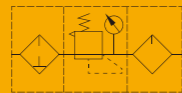
◎ Main Dimension



Model	G	Exhaust port	A	B	C	D	E	F	H	I	J
EVSH2000-01	1/8	1/8	40	59	39	28	22	40	32	41	Φ6
EVSH2000-02	1/4	1/8	40	59	39	28	22	40	32	41	Φ6
EVSH3000-02	1/4	1/4	53	78	49	30	28	45	41.5	53	Φ7.5
EVSH3000-03	3/8	1/4	53	78	49	30	28	45	41.5	53	Φ7.5
EVSH4000-03	3/8	3/8	70	84	52	36	36	45	41.5	53	Φ7.5
EVSH4000-04	1/2	3/8	70	84	52	36	36	45	41.5	53	Φ7.5

AEC/BEC

F.R.L



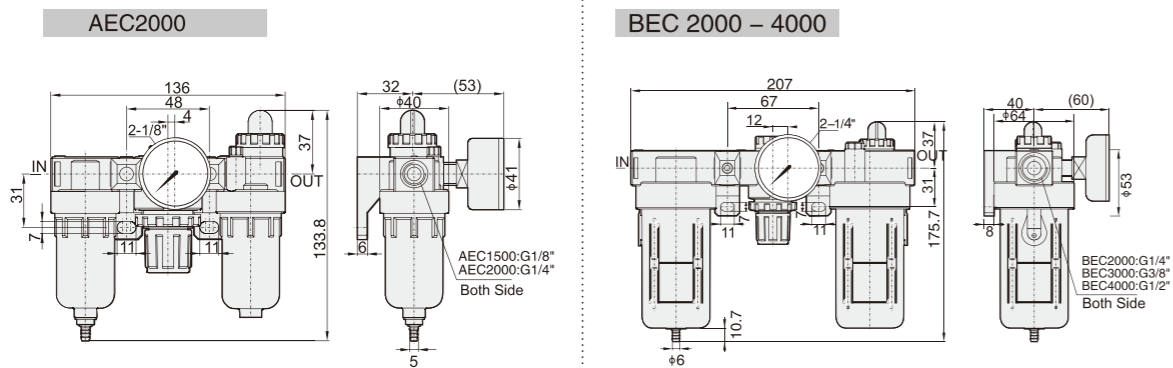
How to Order?

Series No.	Type Code	Body Size	Pressure Gauge Code	Bracket Code	Scale Unit	Thread Type
AE: Small body size without bowl guard BE: Larger body size with bowl guard	C: Filter+regulator+lubricator	2000: 1/4" 3000: 3/8" 4000: 1/2"	Blank: With pressure gauge N: No pressure gauge	Blank: With bracket J: No bracket	4: Mpa/Psi(Default) 5: Bar/Psi	Blank: G P: PT T: NPT

Order Example:

AE series three units, 2000 body size, with gauge, with bracket, Mpa/Psi pressure scale unit, PT thread, ERP code is: AEC2000-4-P

Main Dimension

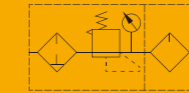


Specifications

Model	AEC2000	BEC2000	BEC3000	BEC4000	
Working medium	Air				
Port size	G1/4	G1/4	G3/8	G1/2	
Filter precision	40 μm (5, 40 μm is optional)				
Adjusting pressure range (MPa)	0.15-0.85				
Max. adjusting pressure (MPa)	1.0				
Guaranteed pressure (MPa)	1.5				
Working temperature(°C)	5-60				
Filter bowl capacity (CC)	15	60		60	
Lubricator bowl capacity (CC)	25	90		90	
Recommend oil	ISO VG32 or equivalent oil				
Weight (g)	700	900		900	
Components	Filter	AEF2000	BEF2000	BEF3000	BEF4000
	Regulator	AER2000	BER2000	BER3000	BER4000
	Lubricator	AEL2000	BEL2000	BEL3000	BEL4000

AEFC/BEFC

FR.L



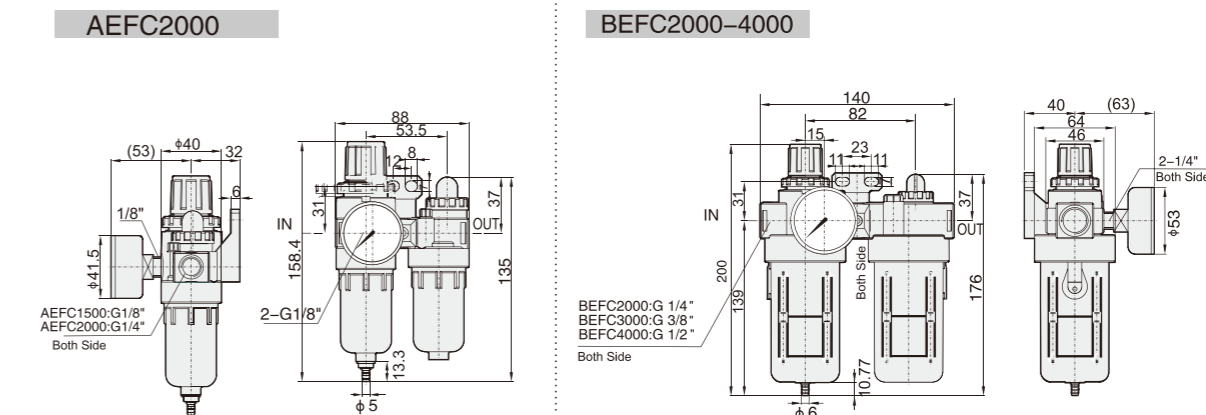
How to Order?

Series No.	Type Code	Body Size	Pressure Gauge Code	Bracket Code	Scale Unit	Thread Type
AE: Small body size without bowl guard BE: Larger body size with bowl guard	FC: Filter & Regulator +lubricator	2000: 1/4" 3000: 3/8" 4000: 1/2"	Blank: With pressure gauge N: Without pressure gauge	Blank: With bracket J: Without bracket	4: Mpa/Psi(Default) 5: Bar/Psi	Blank: G P: PT T: NPT

Order Example:

AE series two units, 2000 body size, with gauge, with bracket, Mpa/Psi pressure scale unit, PT thread, ERP code is: AEFC2000-4-P

Main Dimension



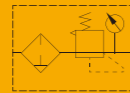
Specifications

Model	AEFC2000	BEFC2000	BEFC3000	BEFC4000	
Working medium	Air				
Port size	G1/4	G1/4	G3/8	G1/2	
Filter precision	40 μm (5, 40 μm is optional)				
Adjusting pressure range (MPa)	0.15-0.85				
Max. adjusting pressure (MPa)	1.0				
Guaranteed pressure (MPa)	1.5				
Working temperature(°C)	5-60				
Filter bowl capacity (CC)	15	60		60	
Lubricator bowl capacity (CC)	25	90		90	
Recommend oil	ISO VG32 or equivalent oil				
Weight (g)	500	700		700	
Components	Filter.Regulator	AEFR2000	BEEF2000	BEFR3000	BEFR4000
	Lubricator	AEL2000	BEL2000	BEL3000	BEL4000

4
AE/BE

4
AEFC/BEFC

AEFR/BEFR



How to Order?

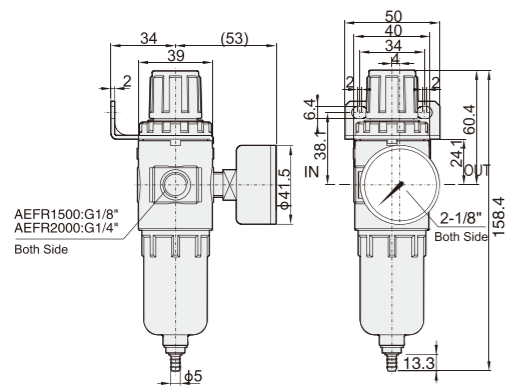
Series No.	Type Code	Body Size	Pressure Gauge Code	Bracket Code	Scale Unit	Thread Type
AE: Small body size without bowl guard BE: Larger body size with bowl guard	FR: Regulator+Filter	1500: 1/8" 2000: 1/4" 3000: 3/8" 4000: 1/2"	Blank: With pressure gauge N: No pressure gauge	Blank: With bracket J: No bracket	4: Mpa/Psi(Default) 5: Bar/Psi	Blank: G P: PT T: NPT

Order Example:

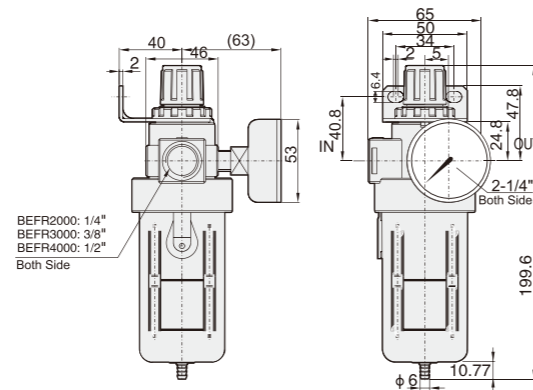
AE series Filter+regulators, 1/4" body size, Mpa/Psi pressure scale unit, PT thread, ERP code is: AEFR2000-4-P

Main Dimension

AEFR1500/2000



BEFR2000-4000



Specifications

Model	AEFR1500	AEFR2000	BEFR2000	BEFR3000	BEFR4000
Working medium	Air				
Port size	G1/8	G1/4	G1/4	G3/8	G1/2
Filter precision	40 μm (5, 50 μm is optional)				
Adjusting pressure range (MPa)	0.15-0.85				
Max. adjusting pressure (MPa)	1.0				
Guaranteed. pressure (MPa)	1.5				
Working temperature(°C)	5-60				
Filter bowl capacity (CC)	15		60		
Weight (g)	260		400		

AEF/BEF

Filter



How to Order?

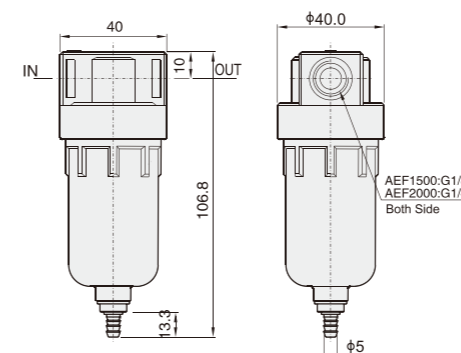
Series No.	Type Code	Body Size	Bracket Code	Thread Type
AE: Small body size without bowl guard BE: Larger body size with bowl guard	F: Filter	1500: 1/8" 2000: 1/4" 3000: 3/8" 4000: 1/2"	Blank: With bracket J: No bracket	Blank: G P: PT T: NPT

Order Example:

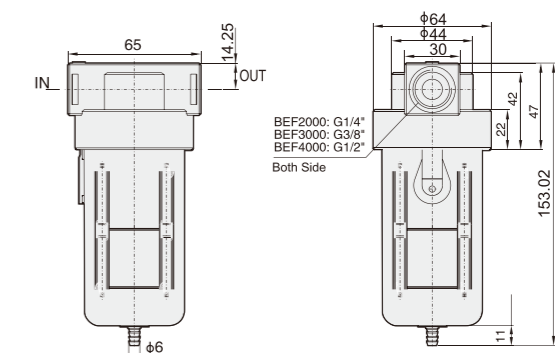
AE series filter, 1/4" body size, with bracket, PT thread, ERP code is: AEF2000-P

Main Dimension

AEF1500/2000



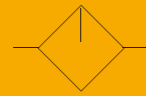
BEF2000-4000



Specifications

Model	AEF1500	AEF2000	BEF2000	BEF3000	BEF4000
Working medium	Air				
Port size	G1/8	G1/4	G1/4	G3/8	G1/2
Filter precision	40 μm (5, 50 μm is optional)				
Working pressure (MPa)	0.15-1.0				
Guaranteed. pressure (MPa)	1.5				
Working temperature(°C)	5-60				
Filter bowl capacity (CC)	15		60		
Weight (g)	140		330		

AEL/BEL Lubricator



How to Order?

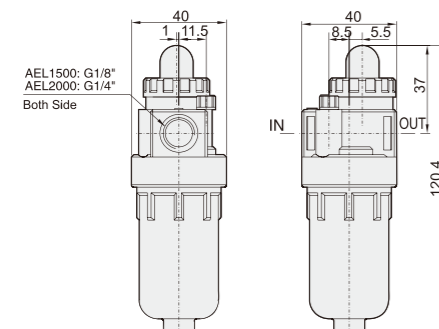
Series No.	Type Code	Body Size	Bracket Code	Thread Type
AE: Small body size without bowl guard BE: Larger body size with bowl guard	L: Lubricator	1500: 1/8" 2000: 1/4" 3000: 3/8" 4000: 1/2"	Blank: With bracket J: No bracket	Blank: G P: PT T: NPT

Order Example:

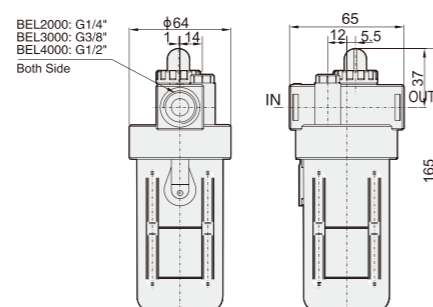
AE series Lubricator, 1/4" body size, with bracket, PT thread, ERP code is: AEL 2000-P

Main Dimension

AEL1500/2000



BEL2000-4000



Specifications

Model	AEL1500	AEL2000	BEL2000	BEL3000	BEL4000
Working medium	Air				
Port size	G1/8	G1/4	G1/4	G3/8	G1/2
Guaranteed pressure resistance (MPa)	1.5				
Working temperature (°C)	5-60				
Lubricator bowl capacity	25CC		90CC		
Recommend oil	ISO VG32 or equivalent oil				
Weight (g)	170g		250g		

AER/BER Regulator



How to Order?

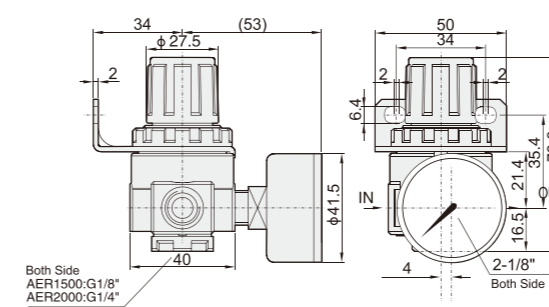
Series No.	Type Code	Body Size	Pressure Gauge Code	Bracket Code	Scale Unit	Thread Type
AE: Small body size without bowl guard BE: Larger body size with bowl guard	R: Regulator	1500: 1/8" 2000: 1/4" 3000: 3/8" 4000: 1/2"	Blank: With pressure gauge N: No pressure gauge	Blank: With bracket J: No bracket	4: Mpa/Psi (Default) 5: Bar/Psi	Blank: G P: PT T: NPT

Order Example:

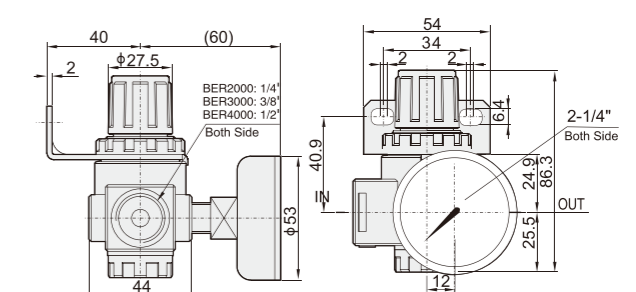
AE series Regulator, 1/4" body size, Mpa/Psi pressure scale unit, PT thread, ERP code is: AEC2000-4-P

Main Dimension

AER1500/2000



BER2000-4000



Specifications

Model	AER1500	AER2000	BER2000	BER3000	BER4000
Working medium	Air				
Port size	G1/8	G1/4	G1/4	G3/8	G1/2
Adjusting pressure range (MPa)	0.05-0.85				
Max. adjusting pressure (MPa)	1.0				
Guaranteed pressure (MPa)	1.5				
Working temperature (°C)	5-60				
Weight (g)	200		230		