



---

## Contents

\* Each section will have a contents page for that specific section as this is a combined document.

### BAR: Modular Bar Manifold

NG06 (D03) with SAE Ports .....	3
NG06 (D03) with SAE Ports, LOAD SENSING .....	4
NG10 (D05) with SAE Ports .....	5
NG16 (D07) with SAE Ports .....	6
NG25 (D08) with SAE Ports .....	7

### BAR: BAR End Adapter

NG10 (D05) to NG06 (D03) .....	8
NG16 (D07) to NG06 (D03) .....	9
NG16 (D07) to NG10 (D05) .....	10
NG25 (D08) to NG06 (D03) .....	11
NG25 (D08) to NG10 (D05) .....	12
NG25 (D08) to NG16 (D07) .....	13

### BMOD: BAR Module

NG06 (D03) C10-2 Relief .....	14
NG06 (D03) C10-2 Relief and Unload .....	15
NG06 (D03) T-10A Relief .....	16
NG06 (D03) T-10A Relief + T-13A Unload .....	17
NG10 (D05) C10-2 Relief .....	18
NG10 (D05) C10-2 Relief and Unload .....	19
NG10 (D05) T-10A Relief .....	20
NG10 (D05) T-10A Relief + T-5A Unload .....	21
NG16 (D07) C16-2 Relief .....	22

**BMOD: BAR Module Cont.**

NG16 (D07) C16-2 Relief and Unload .....	23
NG16 (D07) T-3A Relief .....	24
NG16 (D07) T-3A Relief + T-5A Unload .....	25
NG25 (D08) C16-2 Relief Mod .....	26
NG25 (D08) C16-2 Relief and Unload .....	27
NG25 (D08) T-16A Relief .....	28
NG25 (D08) T-16A Relief and Unload .....	29

**BVKT: BAR Valve Kit**

Tank-Top C10-2 Relief, Unloader and Check .....	30
---	----

**ECVP: E-Cover Plates**

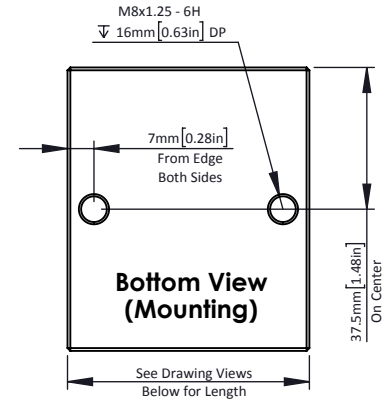
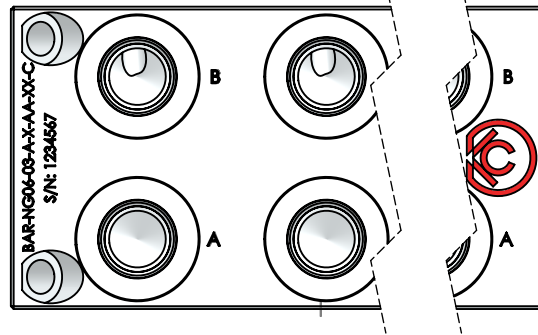
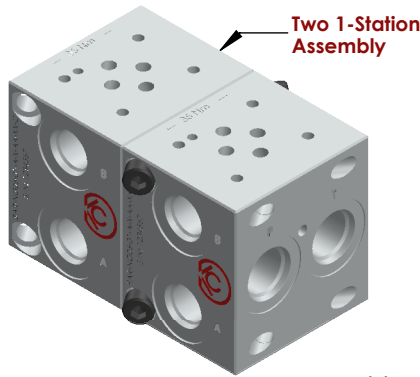
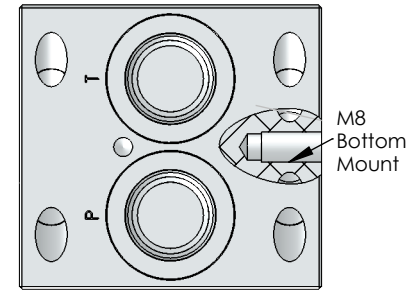
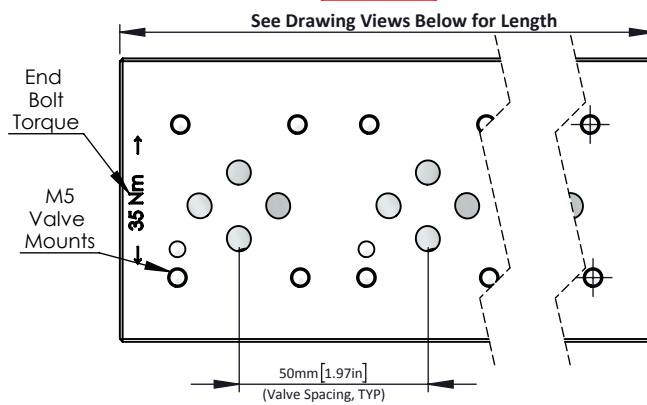
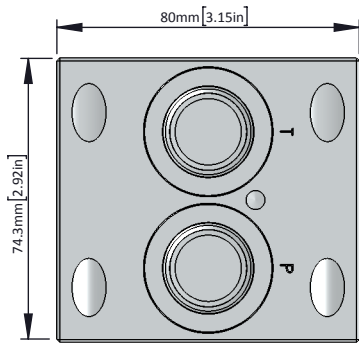
NG06 and NG10 .....	31
NG16 and NG25 .....	32

**EDKT: BAR End Bolt Kits**

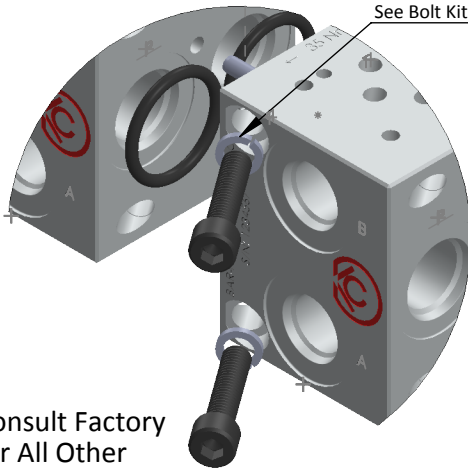
NG06, NG10, NG16 and NG25 .....	33
NG06, NG10, NG16 and NG25 – Load Sensing .....	34

**MTKT: BAR Mounting Kit**

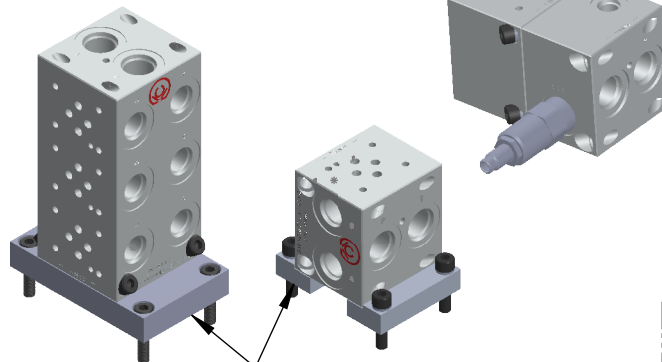
NG06 (D03) .....	35
NG10 (D05) .....	36
NG16 (D07) and NG25 (D08) .....	37



DETAIL A



**Module Assembly Kit**  
EDKT-NG06-01-BA-C  
See Bolt Kit Section for Details



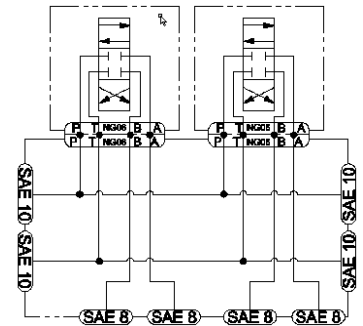
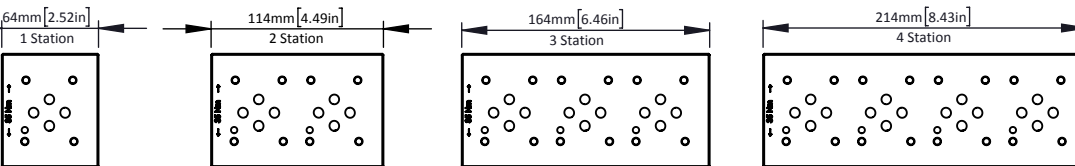
**Mounting Kits** sold separately  
See Mounting Kit Section

**Relief, Unloading, Wide Spacing and Other Options**  
Modules Available See Module Section for Details

**PATENT PENDING**

**ISOLATIONS:**  
Zero-Leak 22S-S10 Plugs can be installed between modules in the P and T to create ISOLATIONS as required.

Consult Factory for All Other Dimensional Data



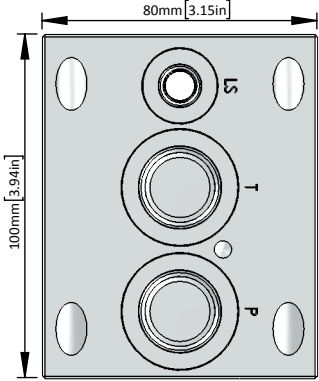
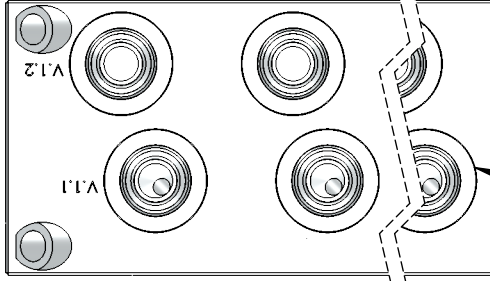
<b>BAR-</b>	<b>NG06-</b>	<b>**-</b>	<b>A-</b>	<b>X-</b>	<b>**-</b>	<b>XX-</b>	<b>C</b>
• Product Family <b>BAR</b> Manifold	• Interface - NG06 (D03) ISO 4401-03-02-0-0	• Number of Stations • 01 - 1 Station • 02 - 2 Station • 03 - 3 Station • 04 - 4 Station	• Port Type - A: SAE • P&T: SAE 10 • A&B: SAE 8	• Cavity - X: None • Available Upon Special Request	• Material • AA: Aluminum • 6061T6 • 210 BAR • DA: Ductile Iron • 654512 • 350 BAR	• Surface Finish XX: Bare Metal • Special Surface Finish Options Available Upon Special Request	• Design Variant C: Design C

BAR: Modular Bar Manifold

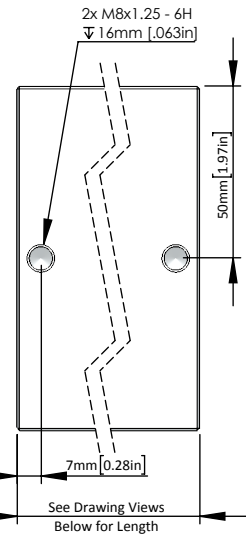
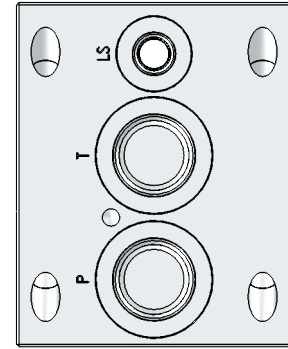
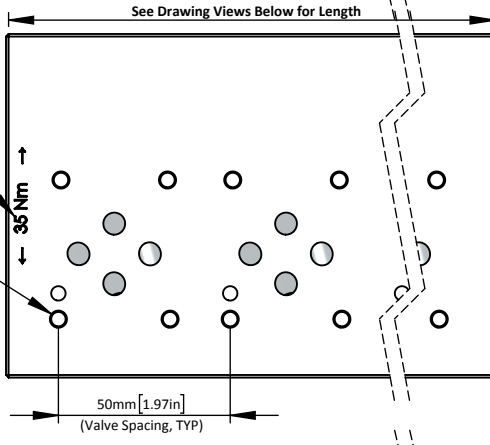
BAR: Modular Bar Manifold



NG10(D05), NG16(D07)  
& NG25(D08) Sizes Available  
Consult Factory for Details

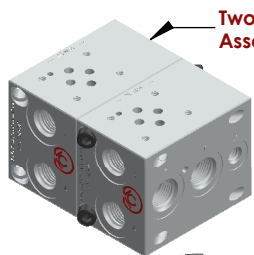


End Bolt Torque  
M5 Valve Mounts  
35 Nm

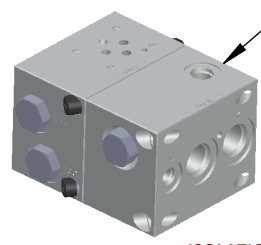


Open Center Auto-LS, Relief, Unloading, Wide Spacing and Other Options Modules Available See Module Section for Details

**PATENT PENDING**



Two 1-Station Assembly

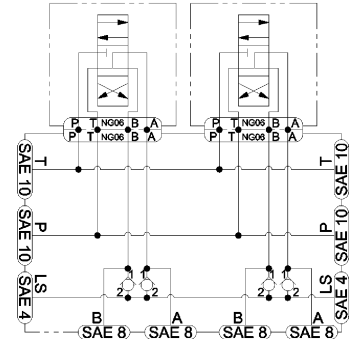
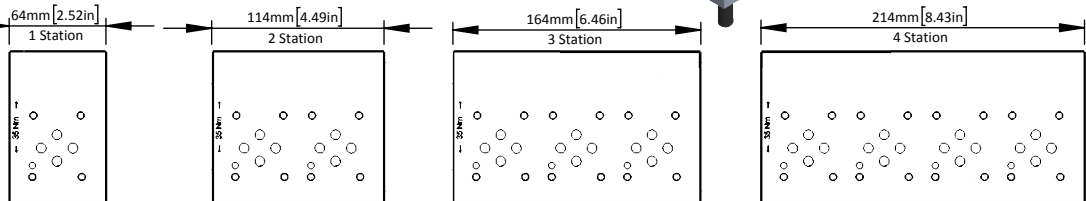


Module Assembly Kit  
EDKT-LS06-01-BA-A  
See Bolt Kit Section for Details

Consult Factory for All Other Dimensional Data

Mounting Kits sold separately See Mounting Kit Section

**ISOLATIONS:**  
Zero-Leak 22S-S10 Plugs can be installed between modules in the P and T to create ISOLATIONS as required.

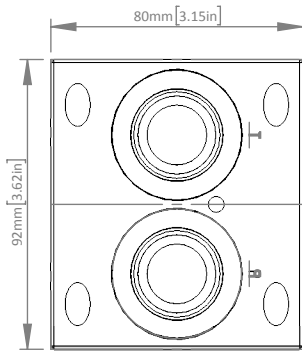


<b>BAR-</b>	<b>LS06-</b>	<b>**-</b>	<b>A-</b>	<b>X-</b>	<b>**-</b>	<b>XX-</b>	<b>A</b>
• Product Family <b>BAR</b> Manifold	• Interface - <b>LS06:</b> NG06 (D03) ISO4401-03-02-0-0 W/Load Sensing	• Number of Stations- <b>01</b> - 1 Station <b>02</b> - 2 Station <b>03</b> - 3 Station <b>04</b> - 4 Station	• Port Type- <b>A:</b> SAE <b>P&amp;T:</b> SAE 10 <b>A&amp;B:</b> SAE 8 <b>LS:</b> SAE 4	• Relief Cavity- <b>X:</b> None  • Available Upon Special Request	• Material <b>AA:</b> Aluminum • 6061T6 • 210 BAR <b>DA:</b> Ductile Iron • 654512 • 350 BAR	• Surface Finish <b>XX:</b> Bare Metal  • Special Surface Finish Options Available Upon Special Request	• Design Variant <b>A:</b> Design C

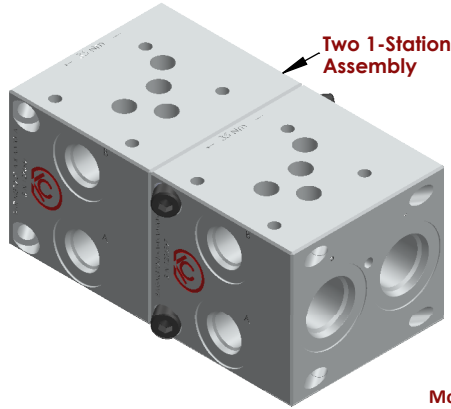
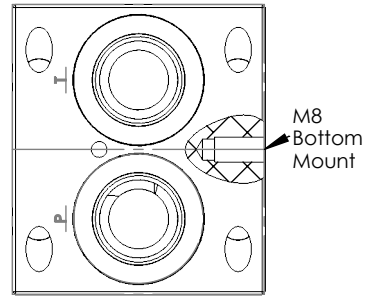
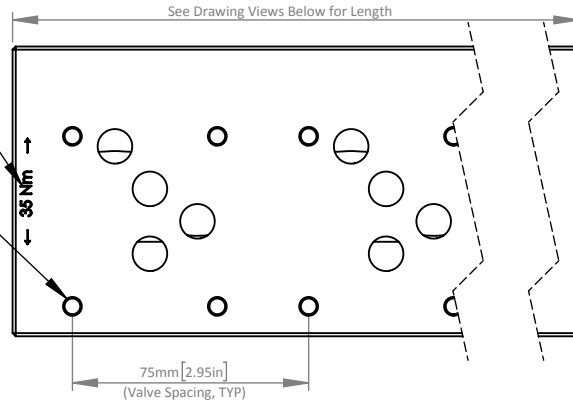
Subject to Change: CTLG-01-001A

BAR: Modular Bar Manifold

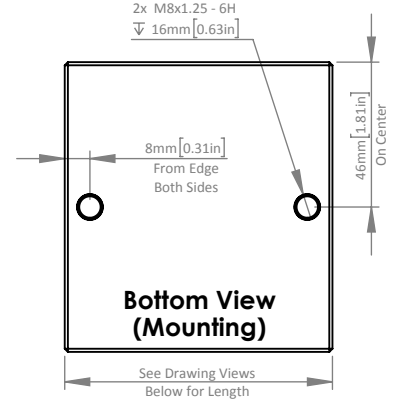
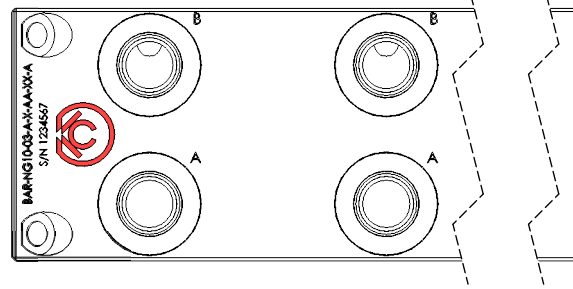
BAR: Modular Bar Manifold



End Bolt Torque  
M6 Valve Mounts



Two 1-Station Assembly

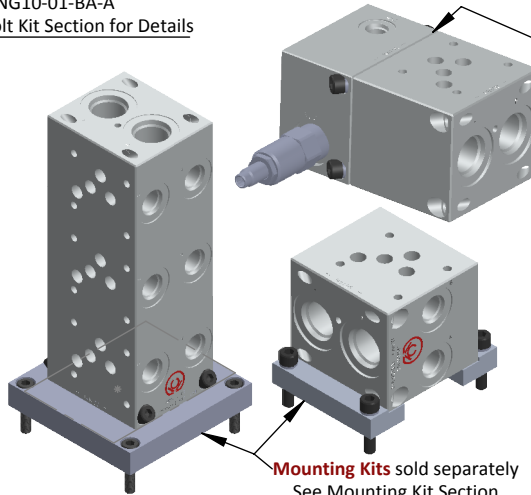


Module Assembly Kit  
EDKT-NG10-01-BA-A  
See Bolt Kit Section for Details

Relief, Unloading, Wide Spacing and Other Options  
Modules Available See Module Section for Details



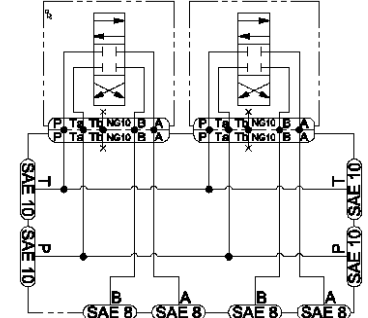
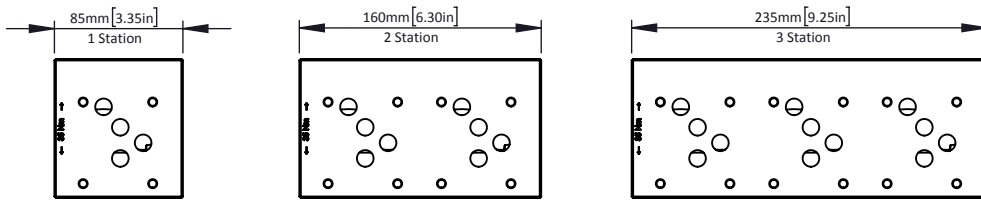
Consult Factory for All Other Dimensional Data



Mounting Kits sold separately  
See Mounting Kit Section

**PATENT PENDING**

**ISOLATIONS:**  
Zero-Leak 22S-S12 Plugs can be installed between modules in the P and T to create ISOLATIONS as required.

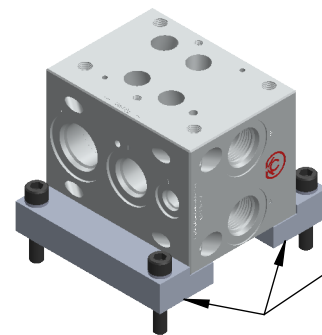
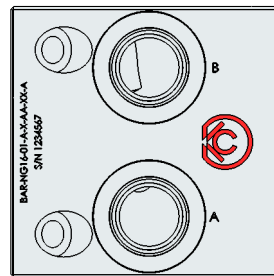
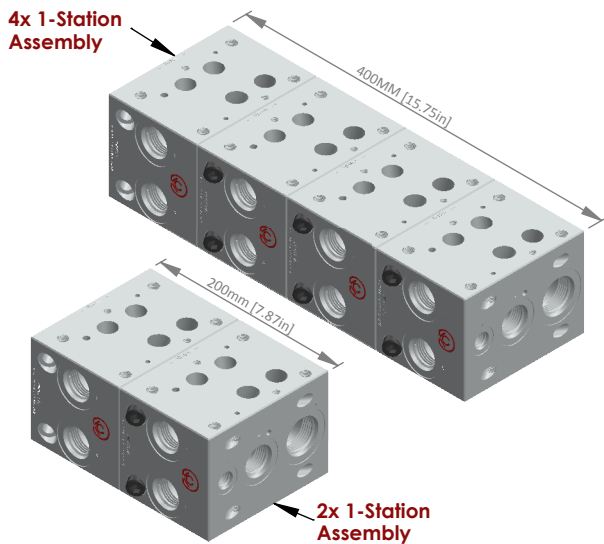
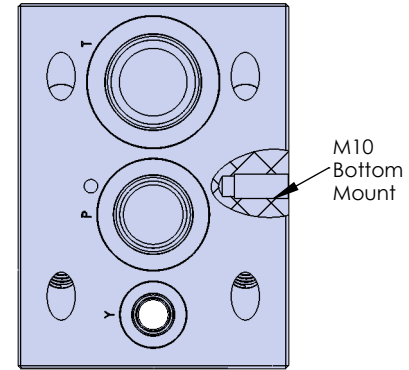
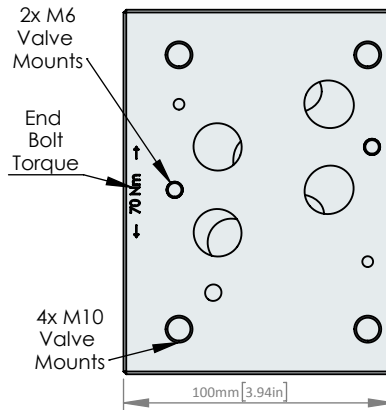
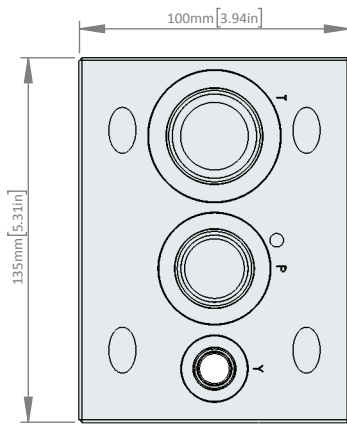


<b>BAR-</b>	<b>NG10-</b>	<b>**</b>	<b>A-</b>	<b>X-</b>	<b>**</b>	<b>XX-</b>	<b>A</b>
• Product Family- <b>BAR</b> Manifold	• Interface - <b>NG10</b> (D05) 4401-05-04-0-05	• Number of Stations- <b>01</b> - 1 Station <b>02</b> - 2 Station <b>03</b> - 3 Station	• Port Type- <b>A</b> : SAE • P&T : SAE 12 • A&B: SAE 8	• Cavity - <b>X</b> : None • Available Upon Special Request	• Material <b>AA</b> : Aluminum • 6061T6 <b>DA</b> : Ductile Iron • 654512 • 350 BAR	• Surface Finish <b>XX</b> : Bare Metal • Special Surface Finish Options Available Upon Special Request	• Design Variant <b>A</b> : Design A

Subject to Change: CTLG-01-001A

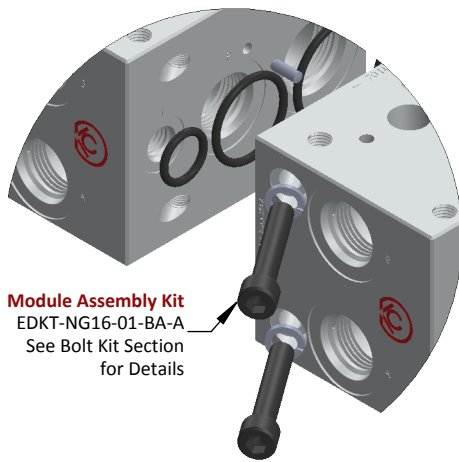
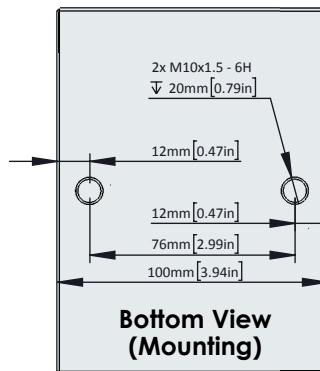
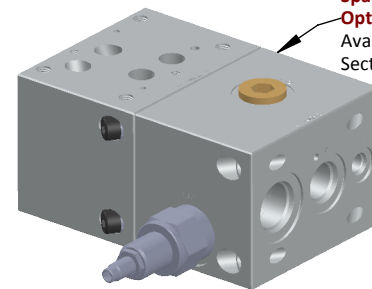
BAR: Modular Bar Manifold

BAR: Modular Bar Manifold



Mounting Kits sold separately See Mounting Kit Section

Relief, Unloading, Wide Spacing and Other Options Modules Available See Module Section for Details

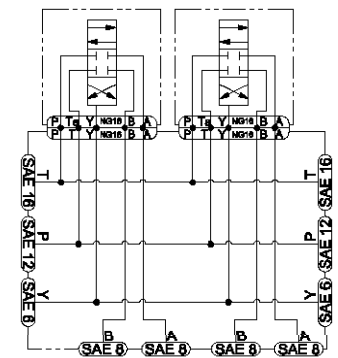


Module Assembly Kit EDKT-NG16-01-BA-A See Bolt Kit Section for Details

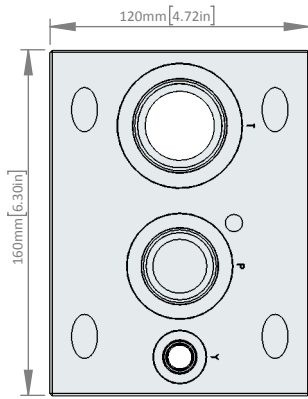
**PATENT PENDING**

Consult Factory for All Other Dimensional Data

**ISOLATIONS:** Zero-Leak 22S-S12 and 22S-S16 Plugs can be installed between modules in the P and T to create ISOLATIONS as required.

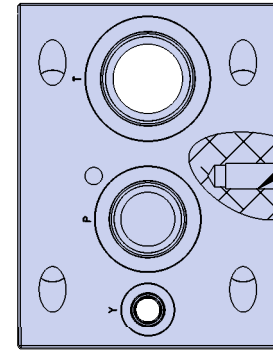
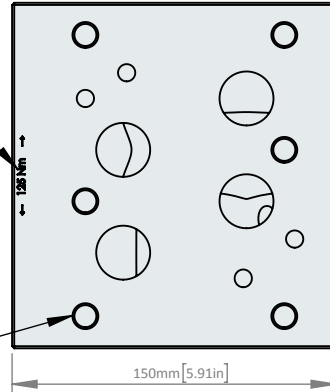


<b>BAR-</b>	<b>NG25-</b>	<b>**</b>	<b>A-</b>	<b>X-</b>	<b>**</b>	<b>XX-</b>	<b>A</b>
• Product Family- <b>BAR</b> Manifold	• Interface - <b>NG25</b> (D08) 4401-08-08-0-05	• Number of Stations- <b>01</b> - 1 Station	• Port Type- <b>A:</b> SAE  • P, A & B: SAE 16  • T: SAE 20 • X & Y: SAE 6	• Cavity - <b>X:</b> None  • Available Upon Special Request	• Material  • <b>AA:</b> Aluminum • 210 BAR • <b>DA:</b> Ductile Iron • 654512 • 350 BAR	• Surface Finish  <b>XX:</b> Bare Metal  • Special Surface Finish Options Available Upon Special Request	• Design Variant  <b>A:</b> Design A



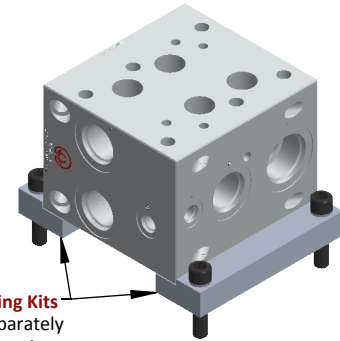
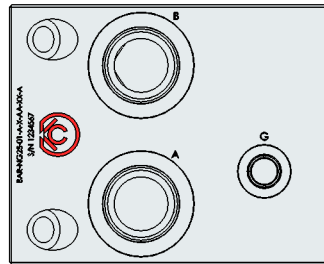
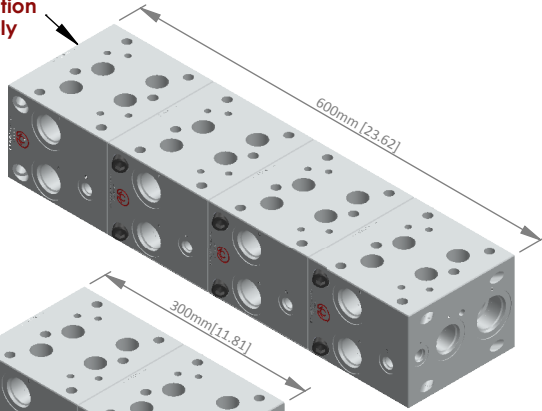
End Bolt Torque

6x M12 Valve Mounts



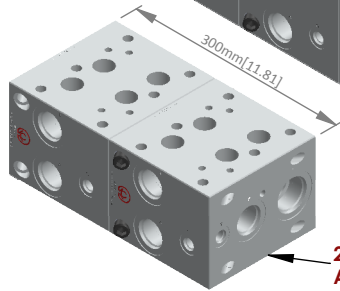
M12 Bottom Mount

4x 1-Station Assembly

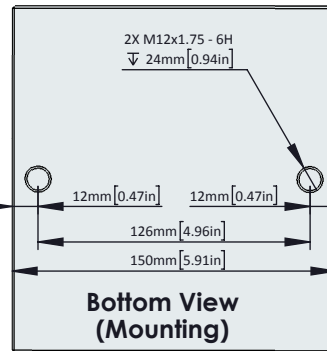
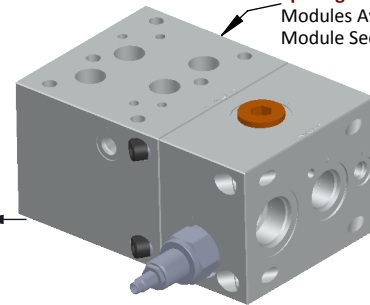


Mounting Kits sold separately See Mounting Kit Section

Relief, Unloading, Wide Spacing and Other Options Modules Available See Module Section for Details



2x 1-Station Assembly



Bottom View (Mounting)

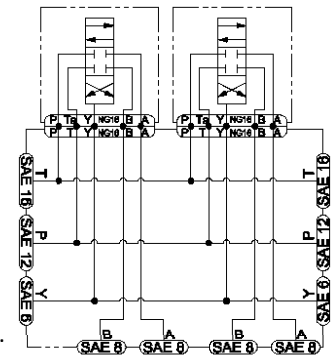


Module Assembly Kit EDKT-NG25-01-BA-A See Bolt Kit Section for Details

**PATENT PENDING**

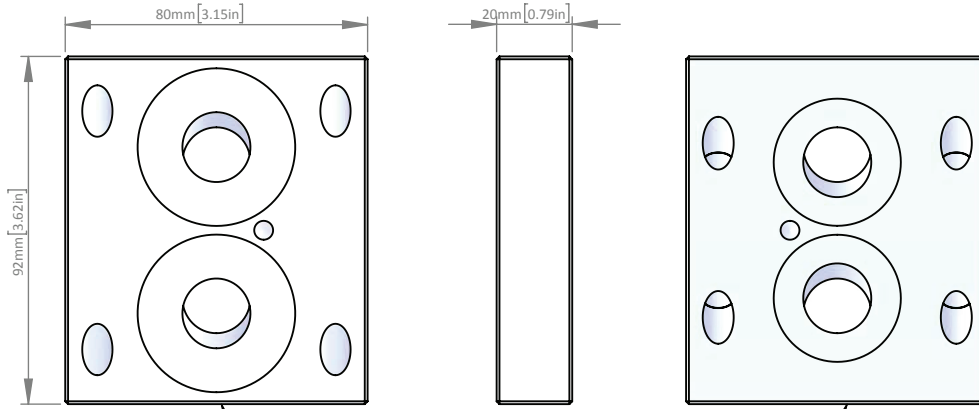
Consult Factory for All Other Dimensional Data

**ISOLATIONS:** Zero-Leak 22S-S16 or 22S-S20 Plugs can be installed between modules in the P and T to create ISOLATIONS as required.

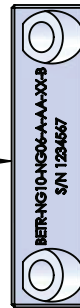


BAR-	NG25-	**-	A-	X-	**-	XX-	A
• Product Family- <b>BAR</b> Manifold	• Interface - <b>NG25 (D08)</b> 4401-08-08-0-05	• Number of Stations-  • <b>01</b> - 1 Station	• Port Type- <b>A:</b> SAE  • P, A & B: SAE 16  • T: SAE 20 • X & Y: SAE 6	• Cavity -  <b>X:</b> None  • Available Upon Special Request	• Material  • <b>AA:</b> Aluminum • 6061T6 • 210 BAR • <b>DA:</b> Ductile Iron • 654512 • 350 BAR	• Surface Finish  <b>XX:</b> Bare Metal  • Special Surface Finish Options Available Upon Special Request	• Design Variant  <b>A:</b> Design A

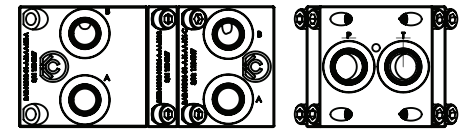
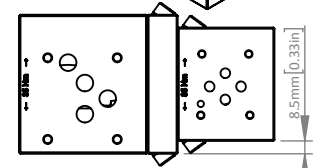
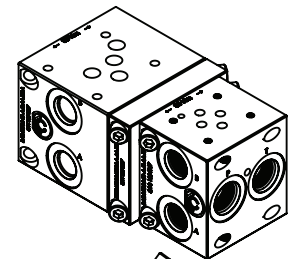
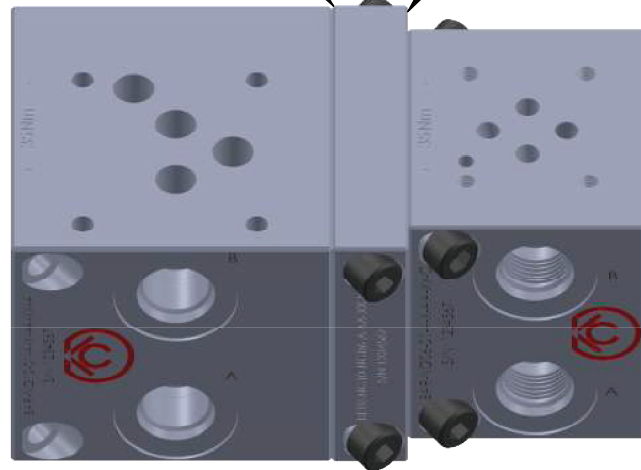
Subject to Change: CTLG-01-001A



**From:** NG10 (D05) BAR



**To:** NG06 (D03) BAR



Consult Factory for All Other Dimensional Data

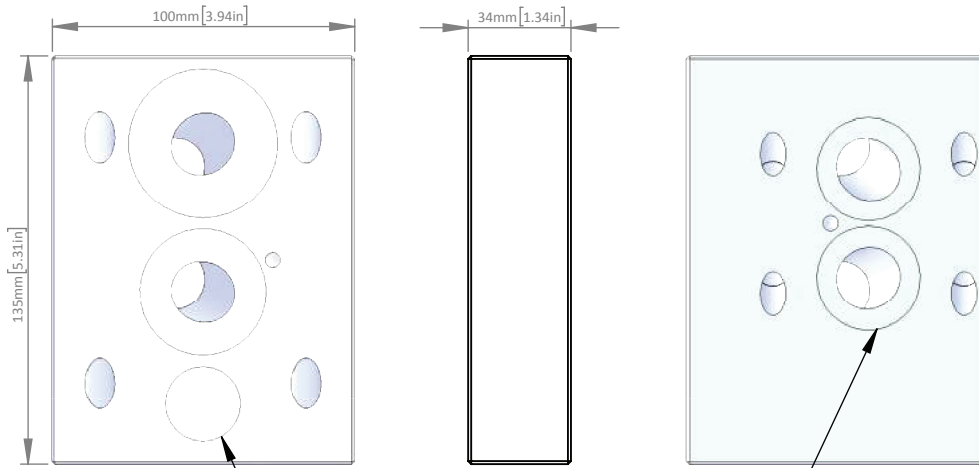
BETR-	NG10-	NG06-	A-	**-	XX-	A
<ul style="list-style-type: none"> <li>Product Family- <b>BAR</b> End Adap<b>TeR</b></li> </ul>	<ul style="list-style-type: none"> <li>"Though Bolt Side" End Interface -</li> <li><b>NG10</b> (D05) 4401-05-04-0-05</li> </ul>	<ul style="list-style-type: none"> <li>"Tapped Bolt Side" End Interface -</li> <li><b>NG06</b> (D03) ISO 4401-03-02-0-0</li> </ul>	<ul style="list-style-type: none"> <li>Port Type- <b>A:</b> SAE</li> <li>Type for SAE type modular manifolds</li> </ul>	<ul style="list-style-type: none"> <li>Material</li> <li><b>AA:</b> Aluminum • 6061T6 • 210 BAR</li> <li><b>DA:</b> Ductile Iron • 654512 • 350 BAR</li> </ul>	<ul style="list-style-type: none"> <li>Surface Finish <b>XX:</b> Bare Metal</li> <li>Special Surface Finish Options Available Upon Special Request</li> </ul>	<ul style="list-style-type: none"> <li>Design Variant <b>A:</b> Design A</li> </ul>

Subject to Change: CTLG-01-001A

BETR: BAR End Adapter

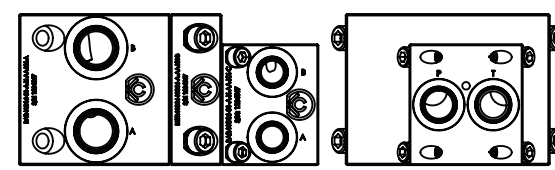
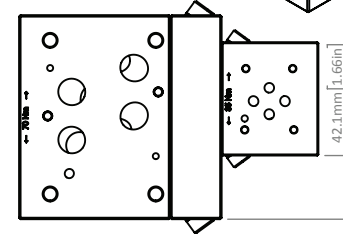
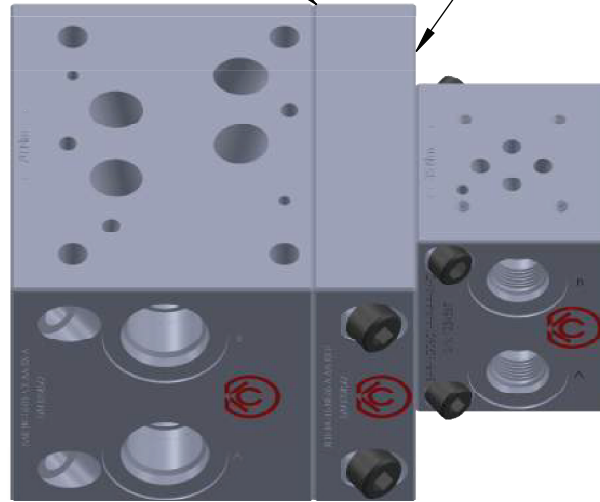
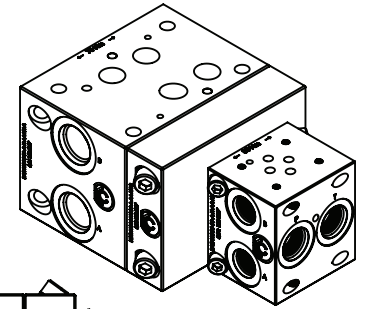
BETR: BAR End Adapter





From: NG16 (D07) BAR

To: NG06 (D03) BAR



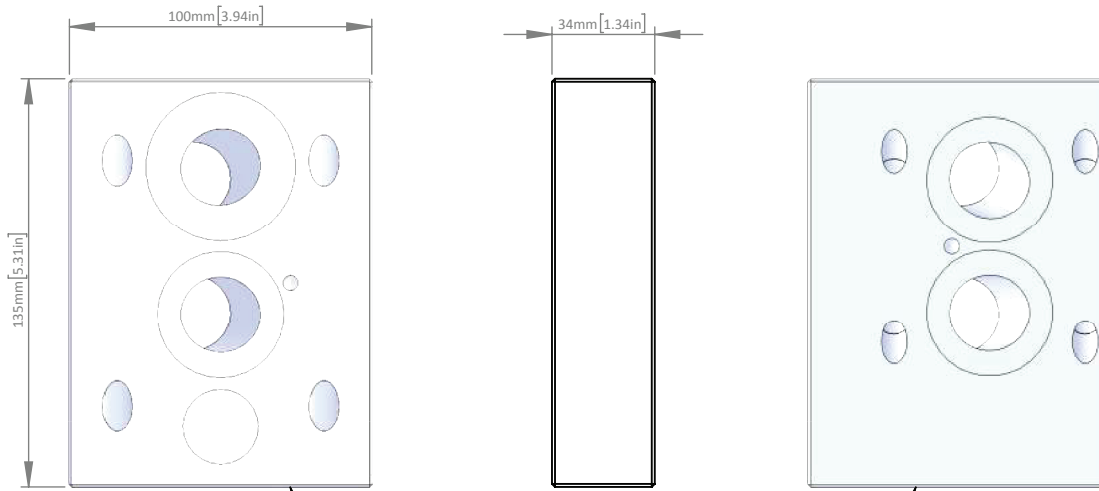
Consult Factory for All Other Dimensional Data

BETR-	NG16-	NG06-	A-	**-	XX-	A
<ul style="list-style-type: none"> <li>Product Family- BAR End Adapter</li> </ul>	<ul style="list-style-type: none"> <li>"Though Bolt Side" End Interface -</li> <li>NG16 (D07) 4401-07-07-0-05</li> </ul>	<ul style="list-style-type: none"> <li>"Tapped Bolt Side" End Interface -</li> <li>NG06 (D03) ISO 4401-03-02-0-0</li> </ul>	<ul style="list-style-type: none"> <li>Port Type- A: SAE</li> <li>Type for SAE type modular manifolds</li> </ul>	<ul style="list-style-type: none"> <li>Material</li> <li>AA: Aluminum                             <ul style="list-style-type: none"> <li>6061T6</li> <li>210 BAR</li> </ul> </li> <li>DA: Ductile Iron                             <ul style="list-style-type: none"> <li>654512</li> <li>350 BAR</li> </ul> </li> </ul>	<ul style="list-style-type: none"> <li>Surface Finish</li> <li>XX: Bare Metal</li> <li>Special Surface Finish Options Available Upon Special Request</li> </ul>	<ul style="list-style-type: none"> <li>Design Variant</li> <li>A: Design A</li> </ul>

Subject to Change: CTLG-01-001A

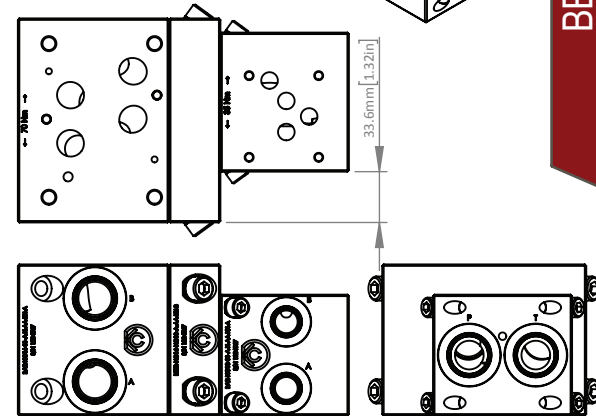
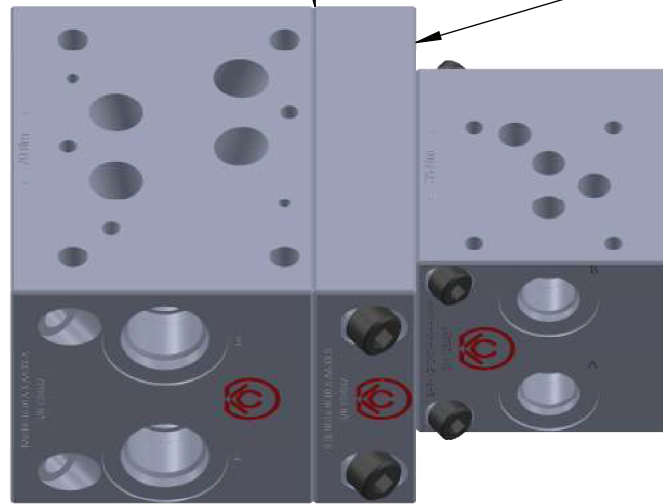
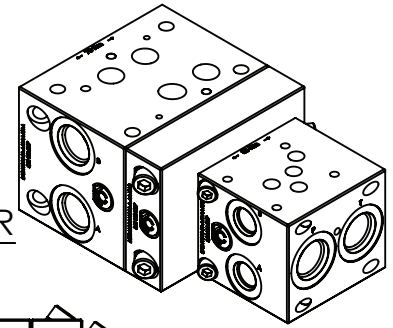
BETR: BAR End Adapter

BETR: BAR End Adapter



From: NG16 (D07) BAR

To: NG10 (D05) BAR



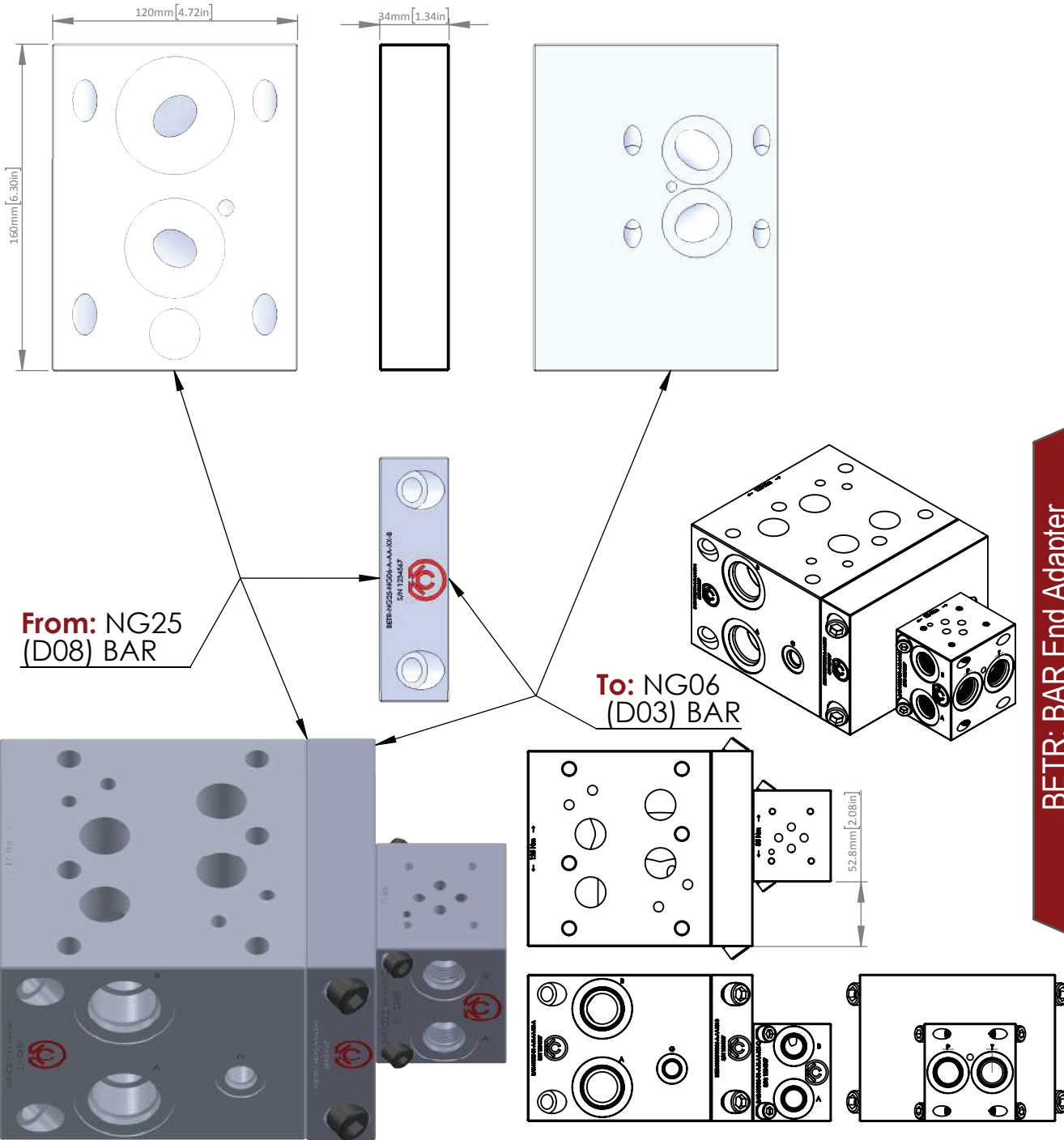
Consult Factory for All Other Dimensional Data

BETR-	NG16-	NG10-	A-	**-	XX-	A
<ul style="list-style-type: none"> <li>Product Family- <b>BAR End AdapTeR</b></li> </ul>	<ul style="list-style-type: none"> <li>"Though Bolt Side" End Interface -</li> <li><b>NG16 (D07)</b> 4401-07-07-0-05</li> </ul>	<ul style="list-style-type: none"> <li>"Tapped Bolt Side" End Interface -</li> <li><b>NG10 (D05)</b> 4401-05-04-0-05</li> </ul>	<ul style="list-style-type: none"> <li>Port Type- <b>A: SAE</b></li> <li>Type for SAE type modular manifolds</li> </ul>	<ul style="list-style-type: none"> <li>Material</li> <li><b>AA:</b> Aluminum                             <ul style="list-style-type: none"> <li>6061T6</li> <li>210 BAR</li> </ul> </li> <li><b>DA:</b> Ductile Iron                             <ul style="list-style-type: none"> <li>654512</li> <li>350 BAR</li> </ul> </li> </ul>	<ul style="list-style-type: none"> <li>Surface Finish</li> <li><b>XX:</b> Bare Metal</li> <li>Special Surface Finish Options Available Upon Special Request</li> </ul>	<ul style="list-style-type: none"> <li>Design Variant</li> <li><b>A:</b> Design A</li> </ul>

Subject to Change: CTLG-01-001A

BETR: BAR End Adapter

BETR: BAR End Adapter



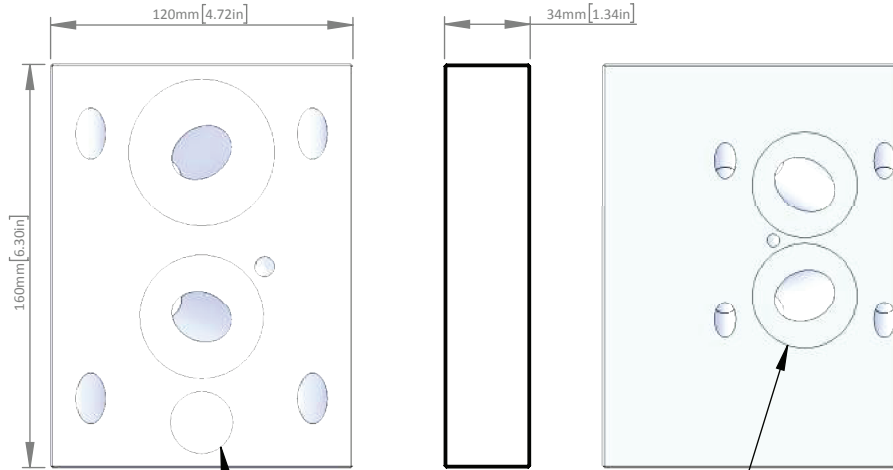
BETR: BAR End Adapter

BETR: BAR End Adapter

Consult Factory for All Other Dimensional Data

BETR-	NG25-	NG06-	A-	**-	XX-	A
<ul style="list-style-type: none"> <li>Product Family - <b>BAR End AdapTeR</b></li> </ul>	<ul style="list-style-type: none"> <li>"Though Bolt Side" End Interface -</li> <li><b>NG25 (D08)</b> 4401-08-08-0-05</li> </ul>	<ul style="list-style-type: none"> <li>"Tapped Bolt Side" End Interface -</li> <li><b>NG06 (D03)</b> ISO 4401-03-02-0-0</li> </ul>	<ul style="list-style-type: none"> <li>Port Type - <b>A: SAE</b></li> <li>Type for SAE type modular manifolds</li> </ul>	<ul style="list-style-type: none"> <li>Material</li> <li><b>AA:</b> Aluminum                             <ul style="list-style-type: none"> <li>6061T6</li> <li>210 BAR</li> </ul> </li> <li><b>DA:</b> Ductile Iron                             <ul style="list-style-type: none"> <li>654512</li> <li>350 BAR</li> </ul> </li> </ul>	<ul style="list-style-type: none"> <li>Surface Finish</li> <li><b>XX:</b> Bare Metal</li> <li>Special Surface Finish Options Available Upon Special Request</li> </ul>	<ul style="list-style-type: none"> <li>Design Variant</li> <li><b>A:</b> Design A</li> </ul>

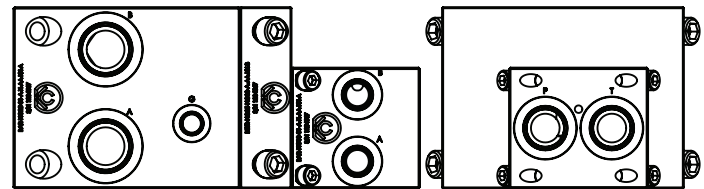
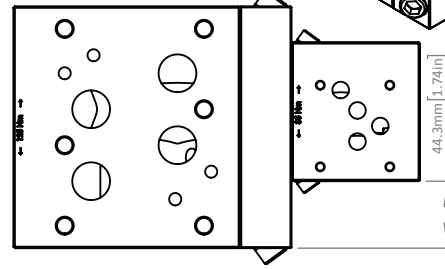
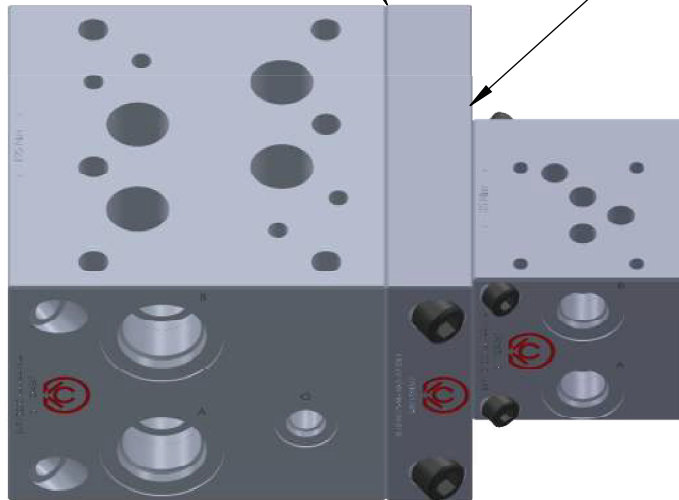
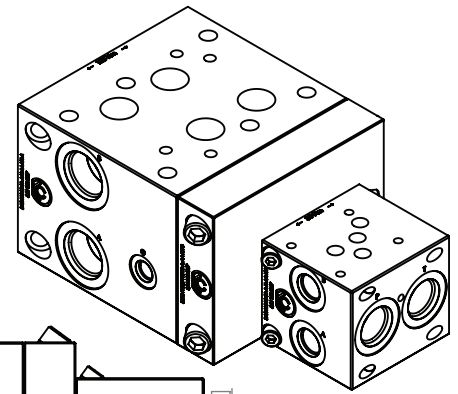
Subject to Change: CTLG-01-001A



Consult Factory for All Other Dimensional Data

From: NG25 (D08) BAR

To: NG10 (D05) BAR

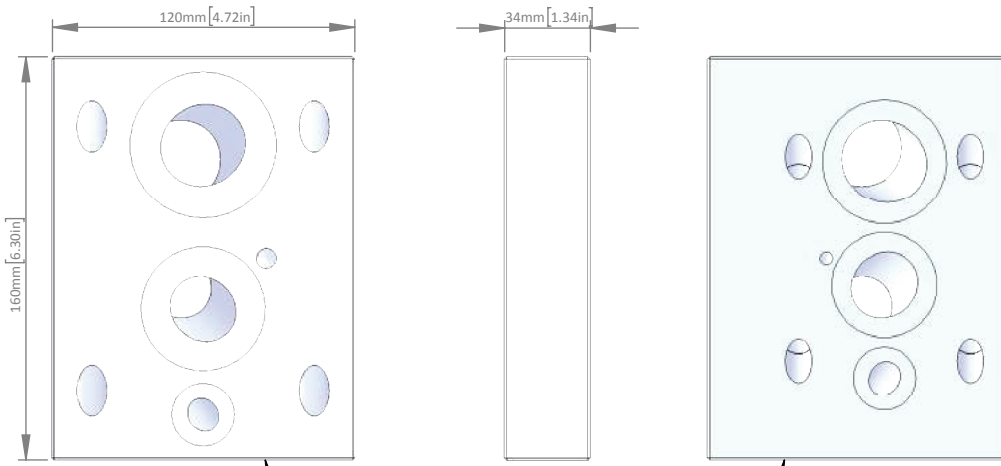


<b>BETR-</b>	<b>NG25-</b>	<b>NG10-</b>	<b>A-</b>	<b>**-</b>	<b>XX-</b>	<b>A</b>
•Product Family- <b>BAR End AdapTeR</b>	•"Tough Bolt Side" End Interface -  • <b>NG25 (D08)</b> 4401-08-08-0-05	•"Tapped Bolt Side" End Interface -  • <b>NG10 (D05)</b> 4401-05-04-0-05	•Port Type - <b>A:</b> SAE  •Type for SAE type modular manifolds	•Material • <b>AA:</b> Aluminum •6061T6 •210 BAR  • <b>DA:</b> Ductile Iron •654512 •350 BAR	•Surface Finish  <b>XX:</b> Bare Metal  •Special Surface Finish Options Available Upon Special Request	•Design Variant  <b>A:</b> Design A

Subject to Change: CTLG-01-001A

BETR: BAR End Adapter

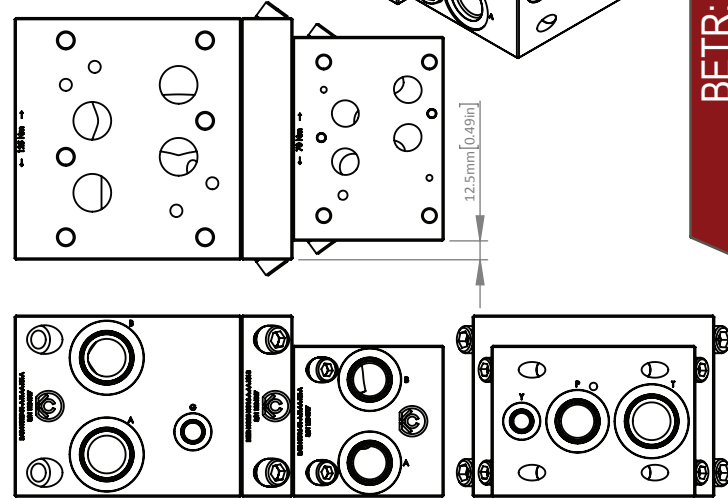
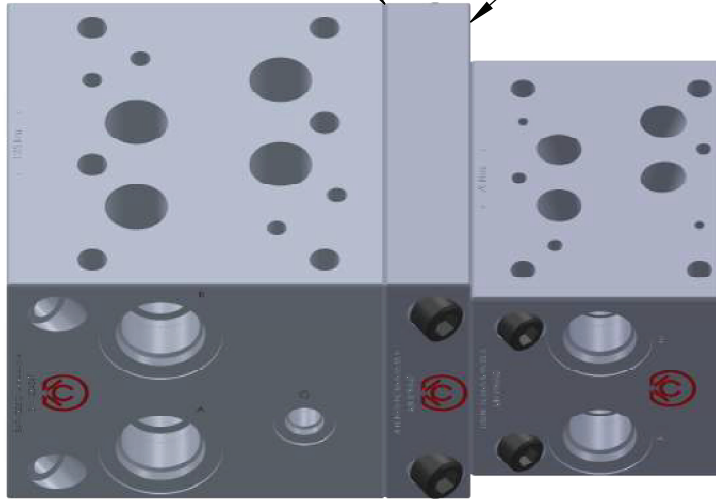
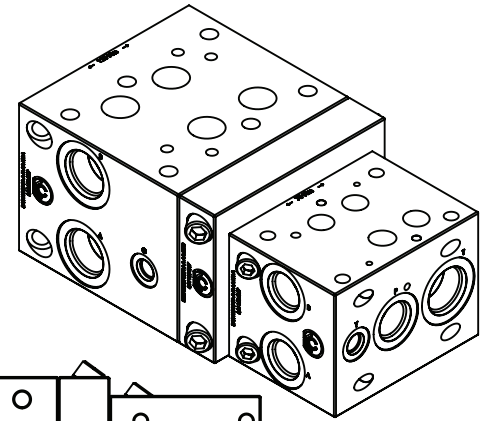
BETR: BAR End Adapter



Consult Factory for All Other Dimensional Data

From: NG25 (D08) BAR

To: NG16 (D07) BAR



BETR: BAR End Adapter

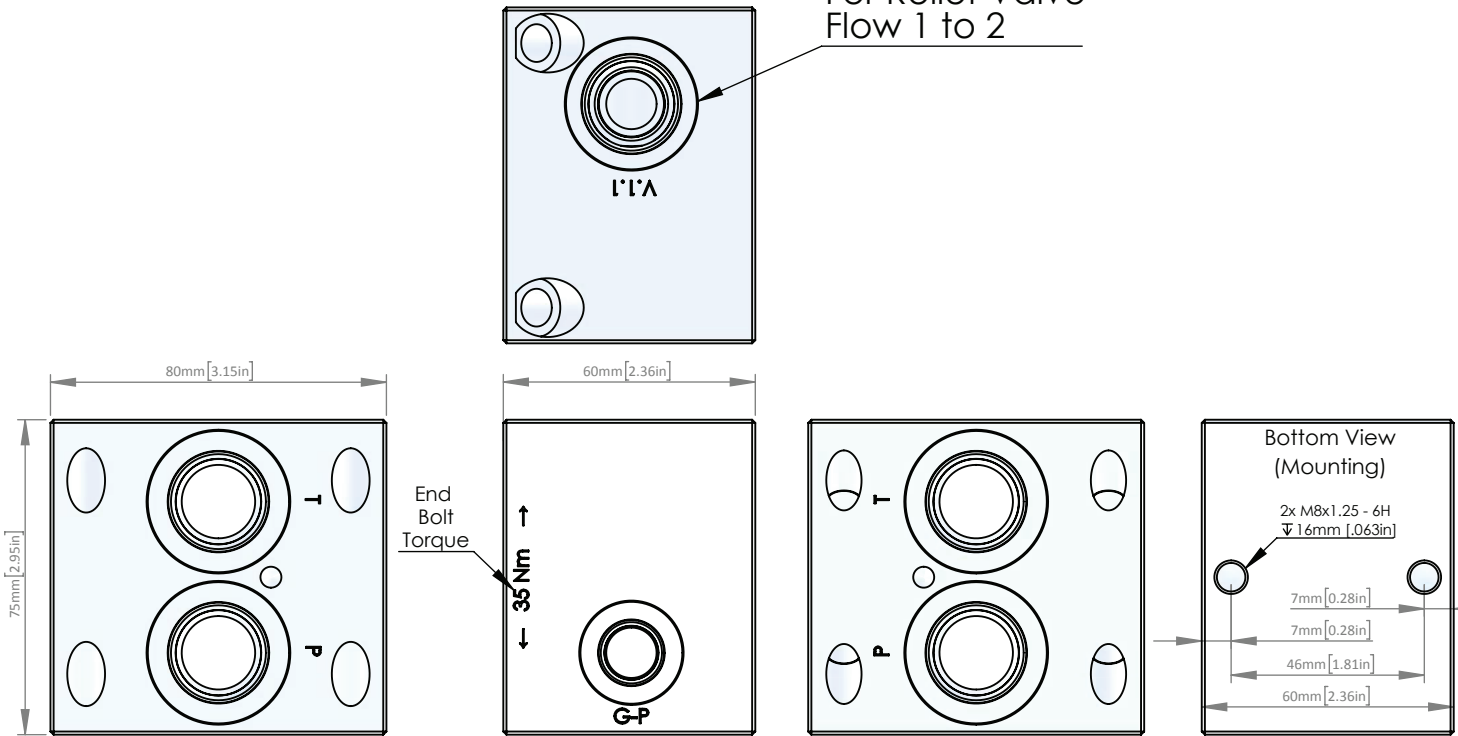
BETR: BAR End Adapter

<b>BETR-</b>	<b>NG25-</b>	<b>NG16-</b>	<b>A-</b>	<b>**</b>	<b>XX-</b>	<b>A</b>
•Product Family- <b>BAR End AdapTeR</b>	•"Tough Bolt Side" End Interface -  • <b>NG25 (D08)</b> 4401-08-08-05	•"Tapped Bolt Side" End Interface -  • <b>NG16 (D07)</b> 4401-07-07-05	•Port Type- <b>A:</b> SAE  •Type for SAE type modular manifolds	•Material • <b>AA:</b> Aluminum •6061T6 •210 BAR  • <b>DA:</b> Ductile Iron •654512 •350 BAR	•Surface Finish <b>XX:</b> Bare Metal  •Special Surface Finish Options Available Upon Special Request	•Design Variant <b>A:</b> Design A

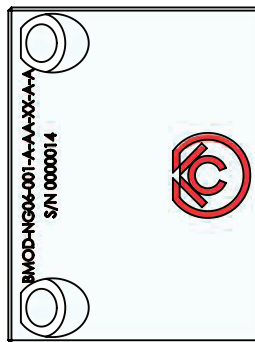
Subject to Change: CTLG-01-001A



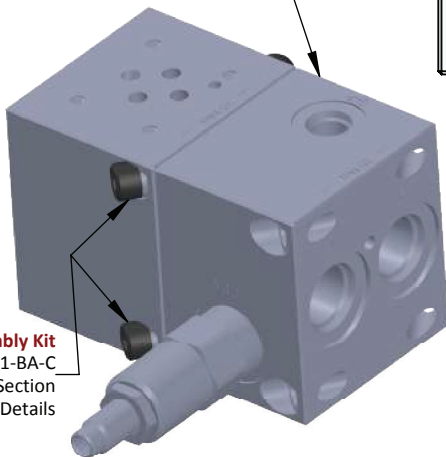
C10-2 Cavity  
For Relief Valve  
Flow 1 to 2



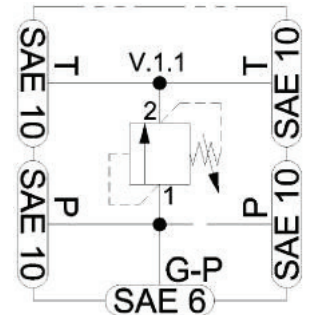
Module Compatible  
with NG03 (C Desing)  
BAR Manifold Series



Module Assembly Kit  
EDKT-NG06-01-BA-C  
See Bolt Kit Section  
for Details



Consult Factory  
for All Other  
Dimensional Data



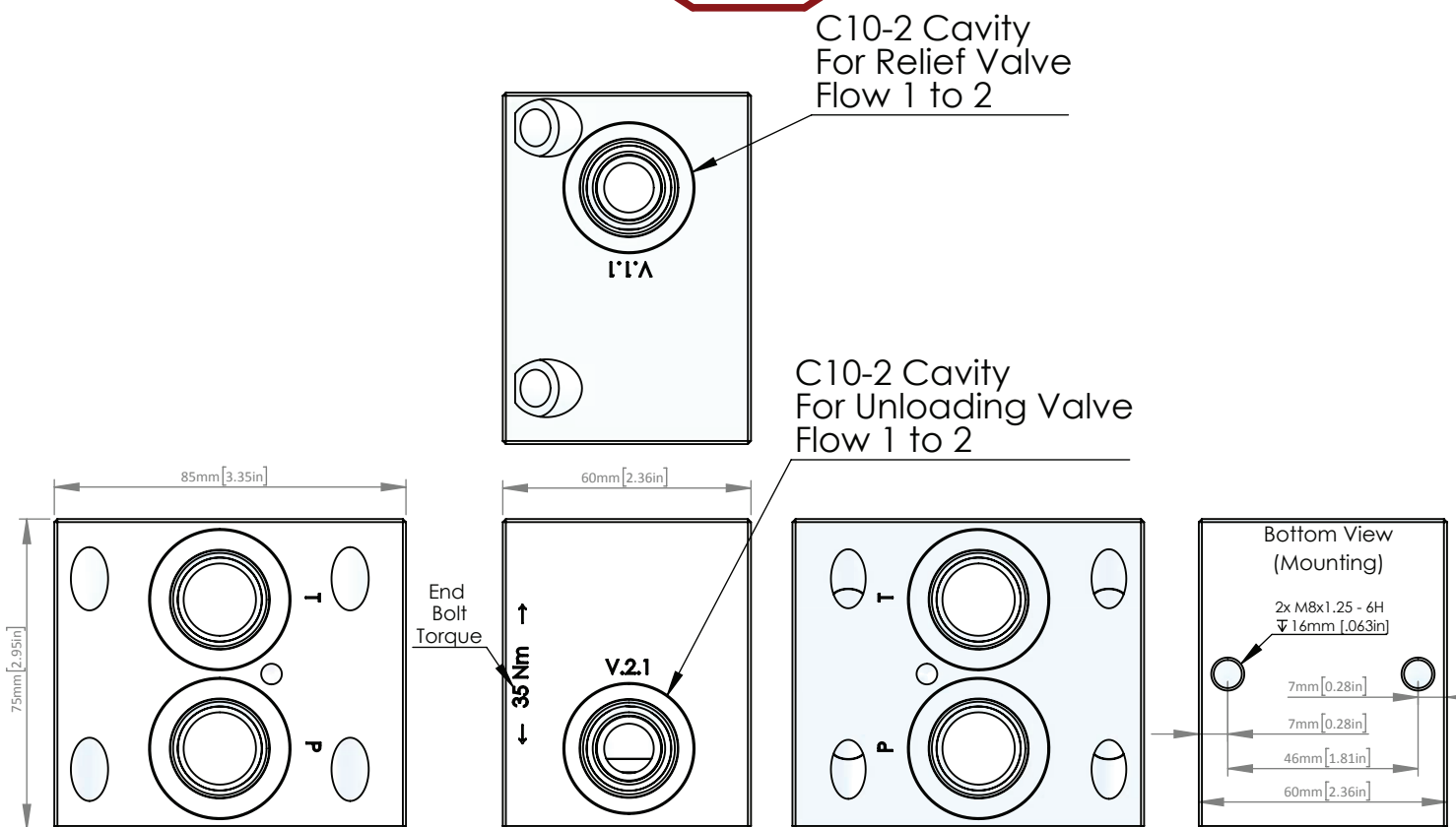
BMOD-	NG06-	001-	A-	**	XX-	A
<ul style="list-style-type: none"> <li>Product Family- <b>Bar Manifold</b> <b>Module</b></li> </ul>	<ul style="list-style-type: none"> <li>Interface - <b>NG06 (D03)</b> 4401-03-02-0-05</li> </ul>	<ul style="list-style-type: none"> <li>Option <b>001</b> C10-2 Relief</li> </ul>	<ul style="list-style-type: none"> <li>Port Type- <b>A:</b> SAE</li> <li>To join SAE to SAE BAR manifolds</li> </ul>	<ul style="list-style-type: none"> <li>Material</li> <li><b>AA:</b> Aluminum</li> <li>6061T6</li> <li>210 BAR</li> <li><b>DA:</b> Ductile Iron</li> <li>654512</li> <li>350 BAR</li> </ul>	<ul style="list-style-type: none"> <li>Surface Finish <b>XX:</b> Bare Metal</li> <li>Special Surface Finish Options Available Upon Special Request</li> </ul>	<ul style="list-style-type: none"> <li>Design Variant <b>A:</b> Design A</li> </ul>

Subject to Change: CTLG-01-001A

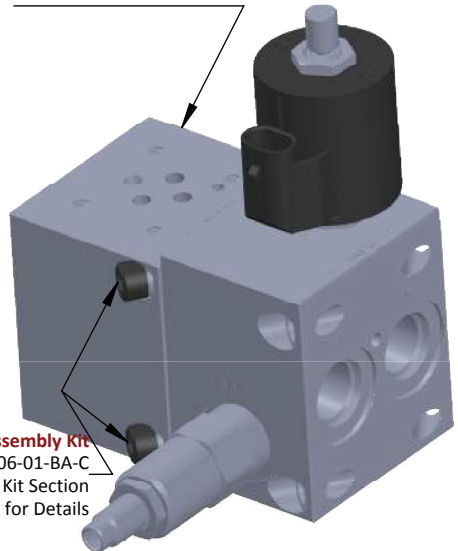


BMOD: BAR Module

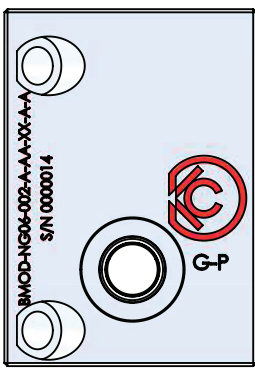
BMOD: BAR Module



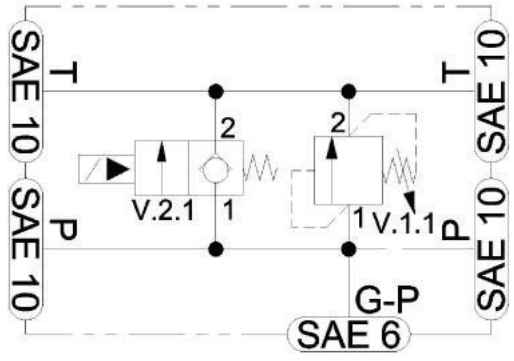
Module Compatible with NG03 (C Desing) BAR Manifold Series



Module Assembly Kit EDKT-NG06-01-BA-C See Bolt Kit Section for Details



Consult Factory for All Other Dimensional Data

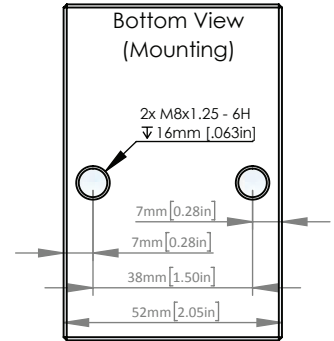
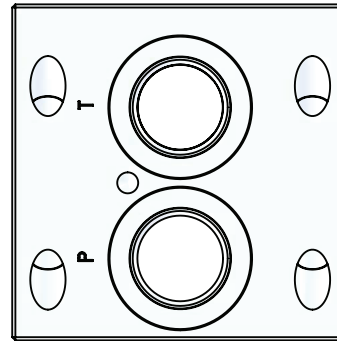
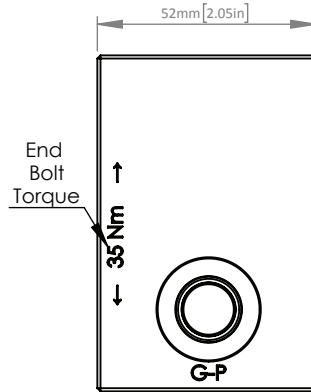
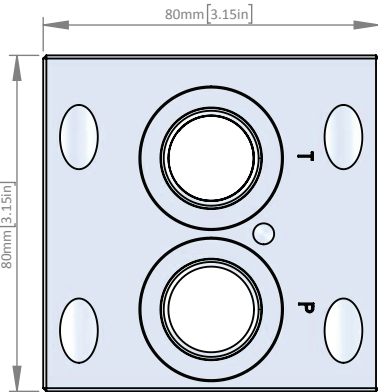
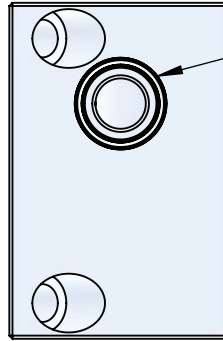


<p><b>BMOD-</b></p> <ul style="list-style-type: none"> <li>Product Family - Bar Manifold <b>MOD</b>ule</li> </ul>	<p><b>NG06-</b></p> <ul style="list-style-type: none"> <li>Interface - <b>NG06</b> (D03) 4401-03-02-0-05</li> </ul>	<p><b>002-</b></p> <ul style="list-style-type: none"> <li>Option - <b>002</b> C10-2 Relief C10-2 Unloader</li> </ul>	<p><b>A-</b></p> <ul style="list-style-type: none"> <li>Port Type - <b>A:</b> SAE</li> <li>To join SAE to SAE BAR manifolds</li> </ul>	<p><b>**-</b></p> <ul style="list-style-type: none"> <li>Material - <b>AA:</b> Aluminum (6061T6, 210 BAR), <b>DA:</b> Ductile Iron (654512, 350 BAR)</li> </ul>	<p><b>XX-</b></p> <ul style="list-style-type: none"> <li>Surface Finish - <b>XX:</b> Bare Metal</li> <li>Special Surface Finish Options Available Upon Special Request</li> </ul>	<p><b>A</b></p> <ul style="list-style-type: none"> <li>Design Variant - <b>A:</b> Design A</li> </ul>
---	---	--	--	---	---	---

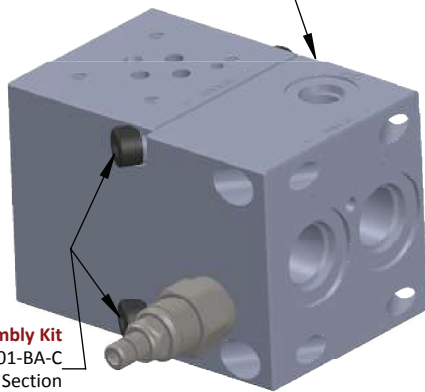
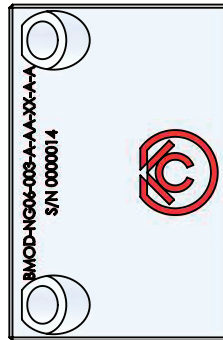
Subject to Change: CTLG-01-001A



T-10A Cavity  
For Relief Valve  
Flow 1 to 2

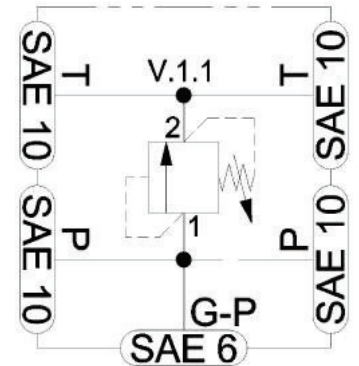


Module Compatible  
with NG03 (C Desing)  
BAR Manifold Series



Module Assembly Kit  
EDKT-NG06-01-BA-C  
See Bolt Kit Section  
for Details

Consult Factory  
for All Other  
Dimensional Data



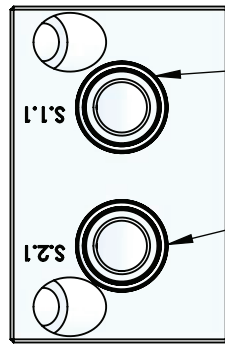
<p><b>BMOD-</b></p> <ul style="list-style-type: none"> <li>Product Family- <b>Bar Manifold MODULE</b></li> </ul>	<p><b>NG06-</b></p> <ul style="list-style-type: none"> <li>Interface - <b>NG06 (D03)</b> 4401-03-02-0-05</li> </ul>	<p><b>003-</b></p> <ul style="list-style-type: none"> <li>Option <b>003</b> T-10A Relief</li> </ul>	<p><b>A-</b></p> <ul style="list-style-type: none"> <li>Port Type <b>A:</b> SAE</li> <li>To join SAE to SAE BAR manifolds</li> </ul>	<p><b>**</b></p> <ul style="list-style-type: none"> <li>Material <b>AA:</b> Aluminum • 6061T6 • 210 BAR <b>DA:</b> Ductile Iron • 654512 • 350 BAR</li> </ul>	<p><b>XX-</b></p> <ul style="list-style-type: none"> <li>Surface Finish <b>XX:</b> Bare Metal</li> <li>Special Surface Finish Options Available Upon Special Request</li> </ul>	<p><b>A</b></p> <ul style="list-style-type: none"> <li>Design Variant <b>A:</b> Design A</li> </ul>
--	---	---	--	---	---	---

Subject to Change: CTLG-01-001A

BMOD: BAR Module

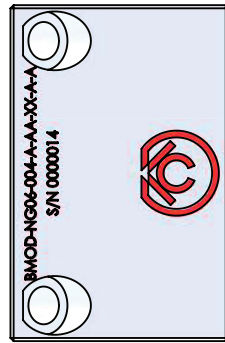
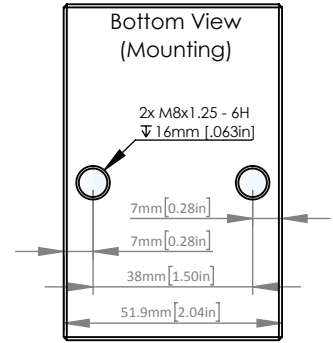
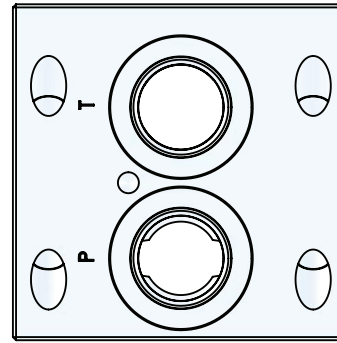
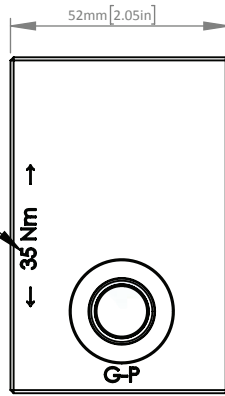
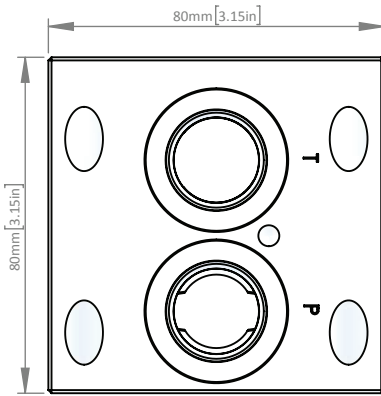
BMOD: BAR Module



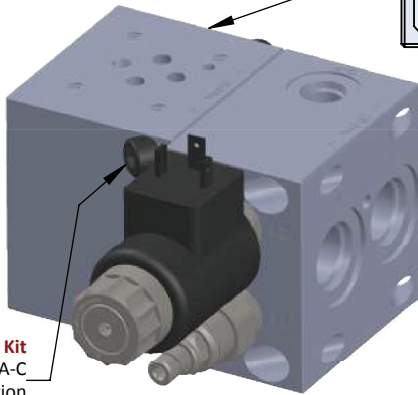


T-10A Cavity  
For Relief Valve  
Flow 1 to 2

T-13A Cavity  
For Unloading Valve  
Flow 1 to 2

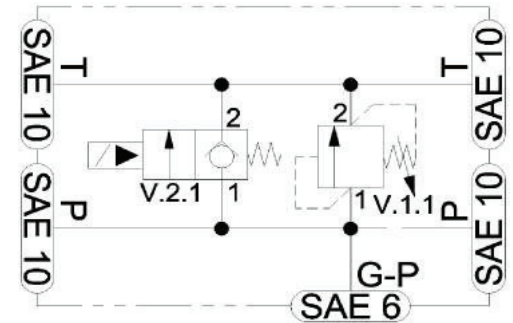


Module Compatible  
with NG03 (C Desing)  
BAR Manifold Series



Module Assembly Kit  
EDKT-NG06-01-BA-C  
See Bolt Kit Section  
for Details

Consult Factory  
for All Other  
Dimensional Data



<p><b>BMOD-</b></p> <ul style="list-style-type: none"> <li>Product Family-</li> <li>Bar Manifold <b>MOD</b>ule</li> </ul>	<p><b>NG06-</b></p> <ul style="list-style-type: none"> <li>Interface -</li> <li><b>NG06</b> (D03) 4401-03-02-0-05</li> </ul>	<p><b>004-</b></p> <ul style="list-style-type: none"> <li>Option</li> <li><b>004</b> T-10A Relief T-13A Unloader</li> </ul>	<p><b>A-</b></p> <ul style="list-style-type: none"> <li>Port Type-</li> <li><b>A:</b> SAE</li> <li>To join SAE to SAE BAR manifolds</li> </ul>	<p><b>**-</b></p> <ul style="list-style-type: none"> <li>Material</li> <li><b>AA:</b> Aluminum</li> <li>• 6061T6</li> <li>• 210 BAR</li> <li><b>DA:</b> Ductile Iron</li> <li>• 654512</li> <li>• 350 BAR</li> </ul>	<p><b>XX-</b></p> <ul style="list-style-type: none"> <li>Surface Finish</li> <li><b>XX:</b> Bare Metal</li> <li>Special Surface Finish Options Available Upon Special Request</li> </ul>	<p><b>A</b></p> <ul style="list-style-type: none"> <li>Design Variant</li> <li><b>A:</b> Design A</li> </ul>
---	--	---	--	--	--	--

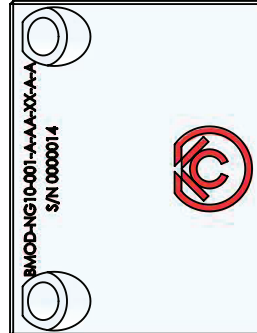
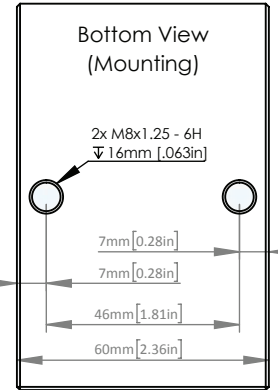
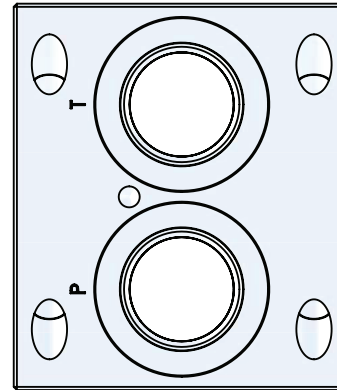
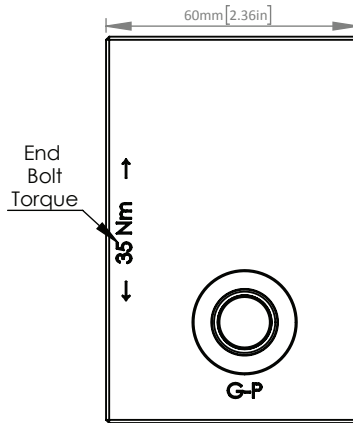
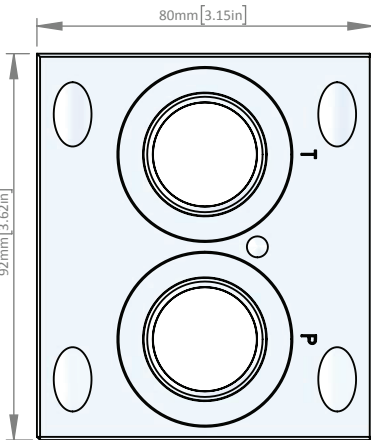
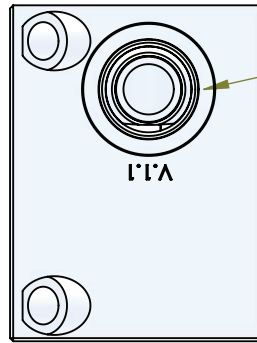
Subject to Change: CTLG-01-001A

BMOD: BAR Module

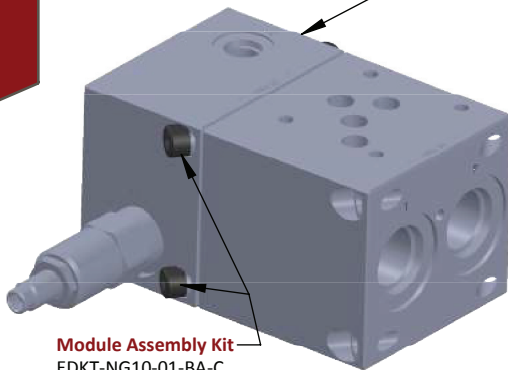
BMOD: BAR Module



C10-2 Cavity  
For Relief Valve  
Flow 1 to 2

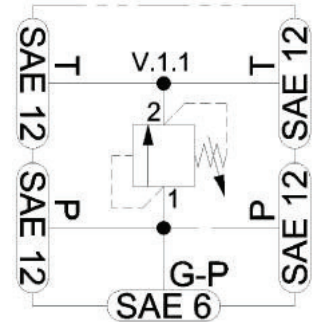


Module Compatible  
with NG10 (A Desing)  
BAR Manifold Series



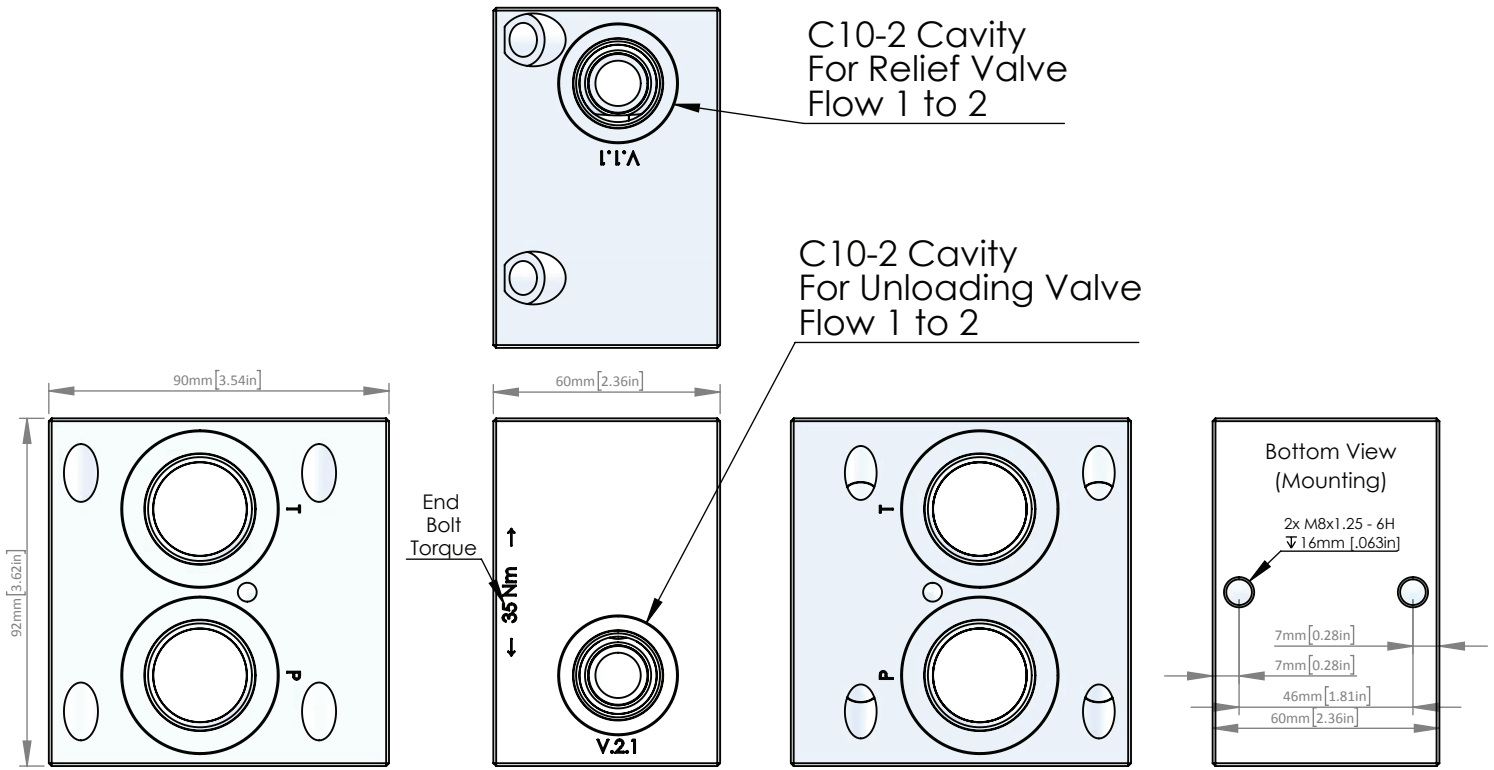
Module Assembly Kit  
EDKT-NG10-01-BA-C  
See Bolt Kit Section  
for Details

Consult Factory  
for All Other  
Dimensional Data

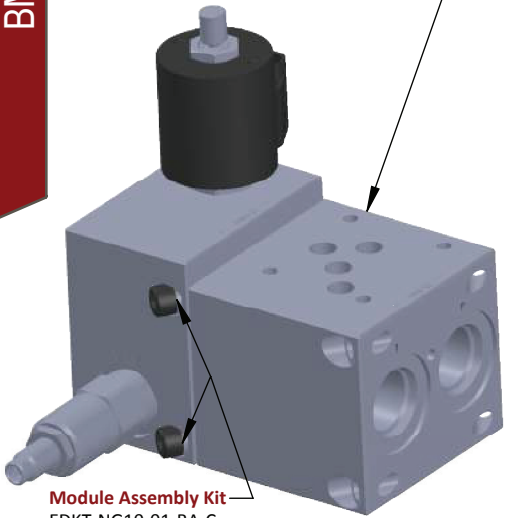
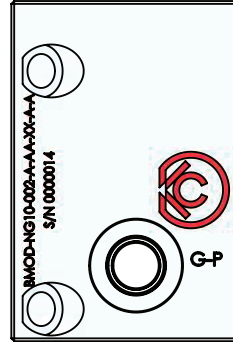


BMOD-	NG10-	001-	A-	**-	XX-	A
<ul style="list-style-type: none"> <li>Product Family - Bar Manifold Module</li> </ul>	<ul style="list-style-type: none"> <li>Interface - NG10 (D05) 4401-05-04-0-05</li> </ul>	<ul style="list-style-type: none"> <li>Option • 001 C10-2 Relief</li> </ul>	<ul style="list-style-type: none"> <li>Port Type - A: SAE • To join SAE to SAE BAR manifolds</li> </ul>	<ul style="list-style-type: none"> <li>Material • AA: Aluminum • 6061T6 • 210 BAR • DA: Ductile Iron • 654512 • 350 BAR</li> </ul>	<ul style="list-style-type: none"> <li>Surface Finish XX: Bare Metal • Special Surface Finish Options Available Upon Special Request</li> </ul>	<ul style="list-style-type: none"> <li>Design Variant A: Design A</li> </ul>

Subject to Change: CTLG-01-001A

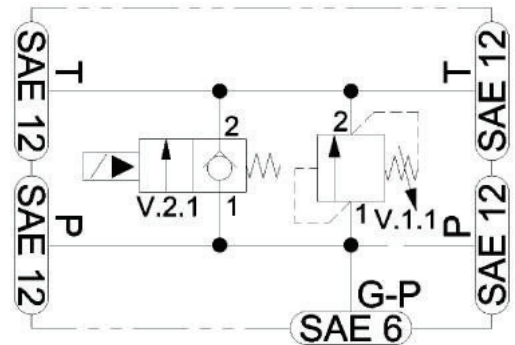


Module Compatible with NG10 (A Desing) BAR Manifold Series



Module Assembly Kit  
EDKT-NG10-01-BA-C  
See Bolt Kit Section for Details

Consult Factory for All Other Dimensional Data



<p><b>BMOD-</b></p> <ul style="list-style-type: none"> <li>Product Family - Bar Manifold <b>MOD</b>ule</li> </ul>	<p><b>NG10-</b></p> <ul style="list-style-type: none"> <li>Interface - <b>NG10</b> (D05) 4401-05-04-0-05</li> </ul>	<p><b>002-</b></p> <ul style="list-style-type: none"> <li>Option <b>002</b> C10-2 Relief C10-2 Unloader</li> </ul>	<p><b>A-</b></p> <ul style="list-style-type: none"> <li>Port Type <b>A:</b> SAE</li> <li>To join SAE to SAE BAR manifolds</li> </ul>	<p><b>**-</b></p> <ul style="list-style-type: none"> <li>Material <b>AA:</b> Aluminum 6061T6 210 BAR <b>DA:</b> Ductile Iron 654512 350 BAR</li> </ul>	<p><b>XX-</b></p> <ul style="list-style-type: none"> <li>Surface Finish <b>XX:</b> Bare Metal</li> <li>Special Surface Finish Options Available Upon Special Request</li> </ul>	<p><b>A</b></p> <ul style="list-style-type: none"> <li>Design Variant <b>A:</b> Design A</li> </ul>
---	---	--	--	--	---	---

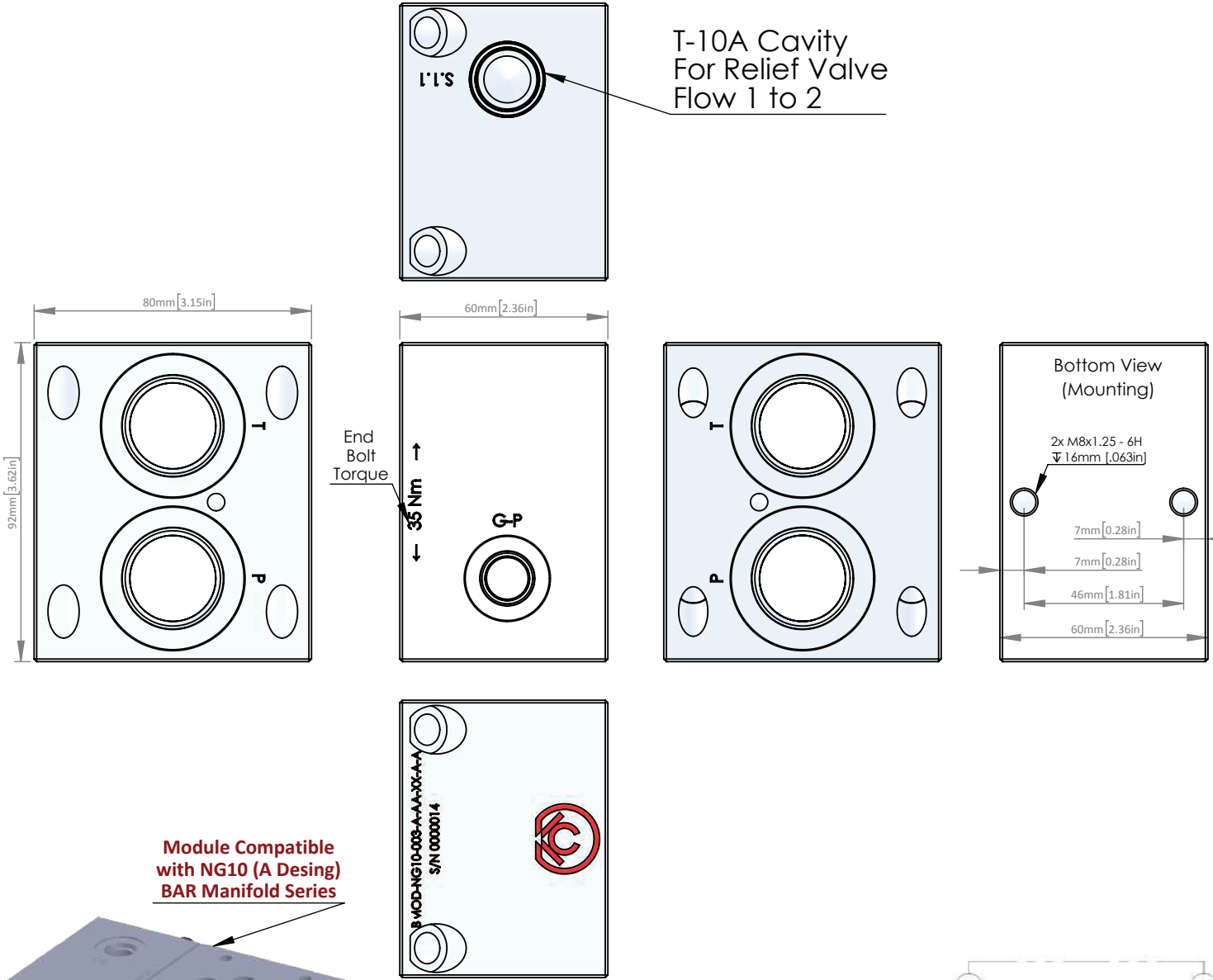
Subject to Change: CTLG-01-001A



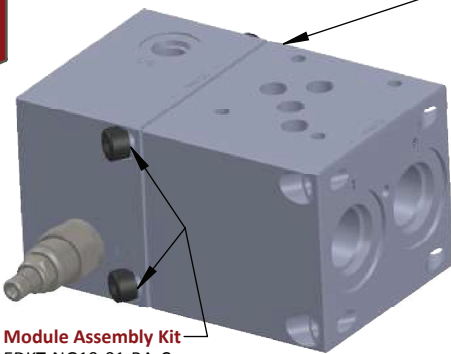
BMOD: BAR Module

BMOD: BAR Module

T-10A Cavity  
For Relief Valve  
Flow 1 to 2

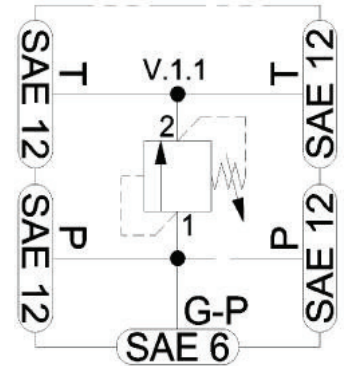


Module Compatible  
with NG10 (A Desing)  
BAR Manifold Series



Module Assembly Kit  
EDKT-NG10-01-BA-C  
See Bolt Kit Section  
for Details

Consult Factory  
for All Other  
Dimensional Data



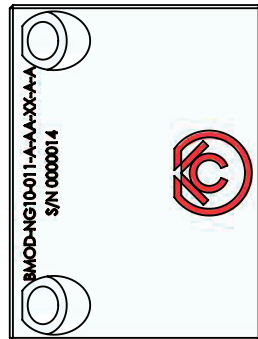
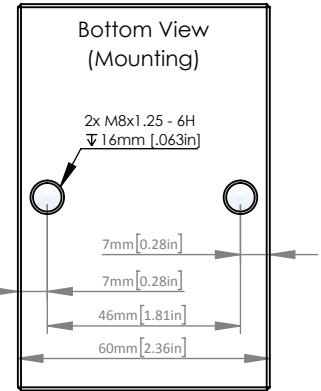
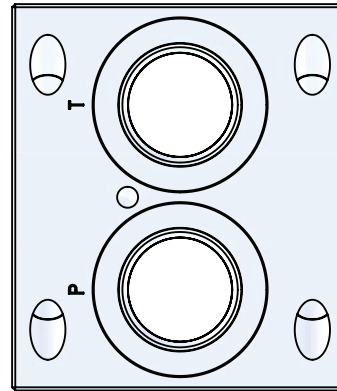
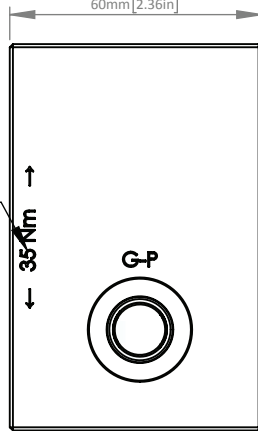
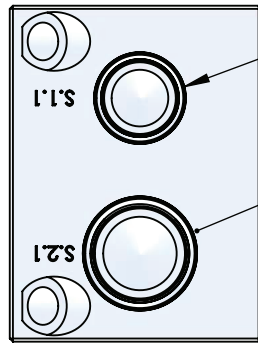
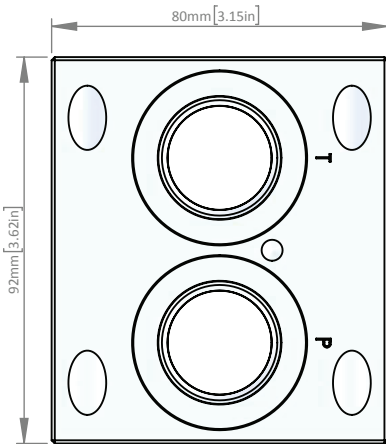
BMOD-	NG10-	003-	A-	**-	XX-	A
<ul style="list-style-type: none"> <li>Product Family- Bar Manifold <b>MOD</b>ule</li> </ul>	<ul style="list-style-type: none"> <li>Interface - <b>NG10</b> (D05) 4401-05-04-0-05</li> </ul>	<ul style="list-style-type: none"> <li>Option <b>003</b> T-10A Relief</li> </ul>	<ul style="list-style-type: none"> <li>Port Type- <b>A:</b> SAE  • To join SAE to SAE BAR manifolds</li> </ul>	<ul style="list-style-type: none"> <li>Material <b>AA:</b> Aluminum • 6061T6 • 210 BAR <b>DA:</b> Ductile Iron • 654512 • 350 BAR</li> </ul>	<ul style="list-style-type: none"> <li>Surface Finish <b>XX:</b> Bare Metal  • Special Surface Finish Options Available Upon Special Request</li> </ul>	<ul style="list-style-type: none"> <li>Design Variant <b>A:</b> Design A</li> </ul>

Subject to Change: CTLG-01-001A

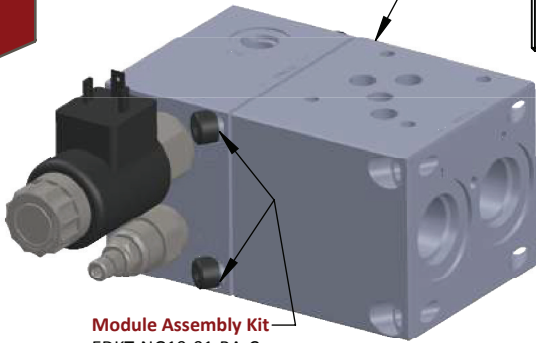


T-10A Cavity  
For Relief Valve  
Flow 1 to 2

T-5A Cavity  
For Unloading Valve  
Flow 1 to 2

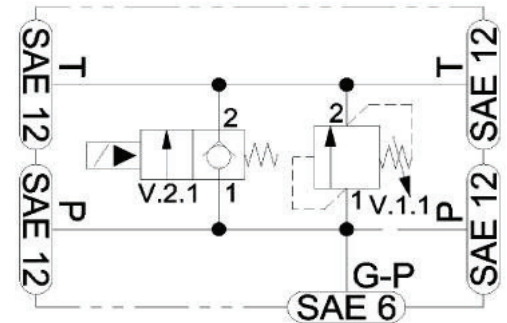


Module Compatible  
with NG10 (A Desing)  
BAR Manifold Series



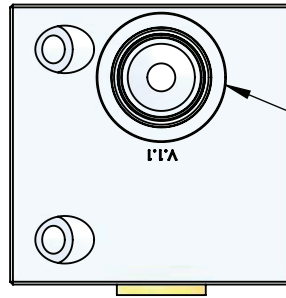
Module Assembly Kit  
EDKT-NG10-01-BA-C  
See Bolt Kit Section  
for Details

Consult Factory  
for All Other  
Dimensional Data

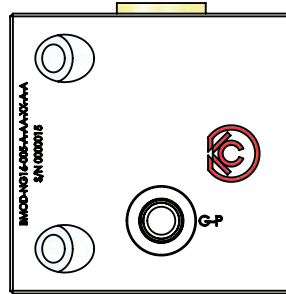
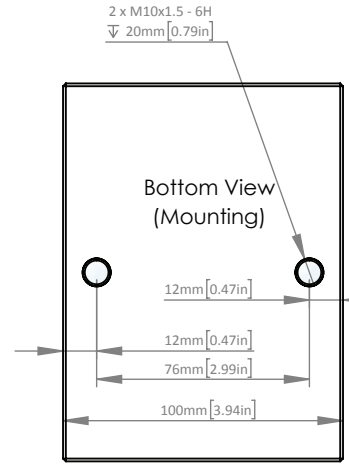
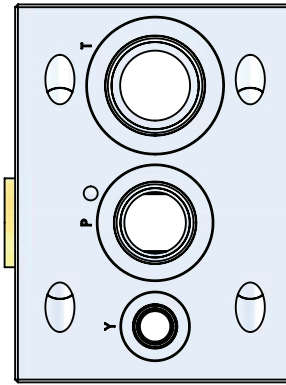
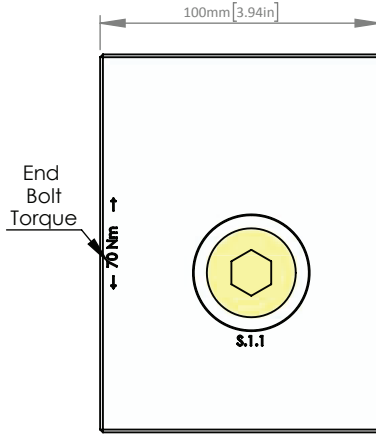
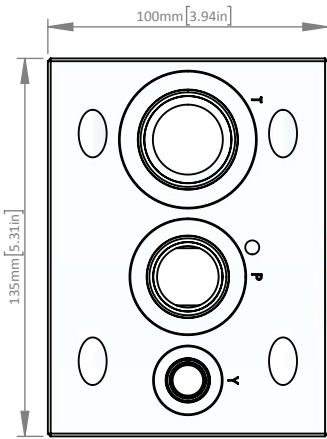


<p><b>BMOD-</b></p> <ul style="list-style-type: none"> <li>Product Family- <b>Bar Manifold MODULE</b></li> </ul>	<p><b>NG10-</b></p> <ul style="list-style-type: none"> <li>Interface - <b>NG10 (D05)</b> 4401-05-04-0-05</li> </ul>	<p><b>011-</b></p> <ul style="list-style-type: none"> <li>Option <b>• 011</b> T-10A Relief T-5A Unloader</li> </ul>	<p><b>A-</b></p> <ul style="list-style-type: none"> <li>Port Type- <b>A:</b> SAE</li> <li>To join SAE to SAE BAR manifolds</li> </ul>	<p><b>**-</b></p> <ul style="list-style-type: none"> <li>Material</li> <li><b>• AA:</b> Aluminum</li> <li>• 6061T6</li> <li>• 210 BAR</li> <li><b>• DA:</b> Ductile Iron</li> <li>• 654512</li> <li>• 350 BAR</li> </ul>	<p><b>XX-</b></p> <ul style="list-style-type: none"> <li>Surface Finish <b>XX:</b> Bare Metal</li> <li>Special Surface Finish Options Available Upon Special Request</li> </ul>	<p><b>A</b></p> <ul style="list-style-type: none"> <li>Design Variant <b>A:</b> Design A</li> </ul>
--	---	---	---	--	---	---

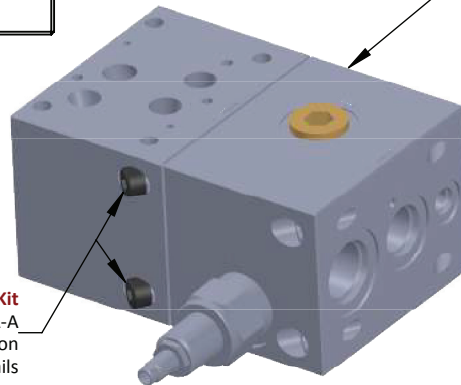
Subject to Change: CTLG-01-001A



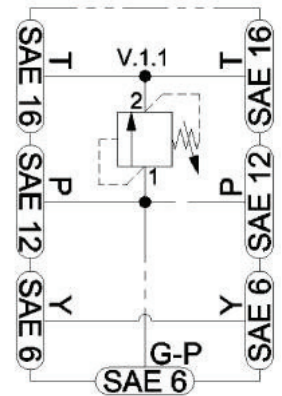
C16-2 Cavity  
For Relief Valve  
Flow 1 to 2



Module Compatible  
with NG16 (A Desing)  
BAR Manifold Series



Module Assembly Kit  
EDKT-NG16-01-BA-A  
See Bolt Kit Section  
for Details



Consult Factory  
for All Other  
Dimensional Data

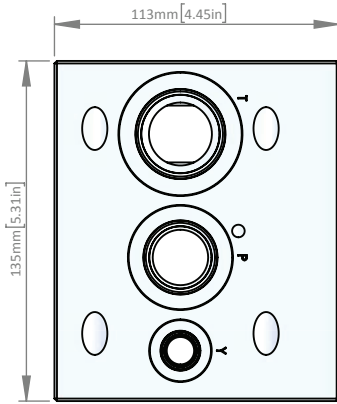
BMOD-	NG16-	005-	A-	**-	XX-	A
<ul style="list-style-type: none"> <li>Product Family-</li> </ul> <p><b>Bar Manifold</b> <b>MOD</b>ule</p>	<ul style="list-style-type: none"> <li>Interface -</li> </ul> <p><b>NG16</b> (D07) 4401-07-07-0-05</p>	<ul style="list-style-type: none"> <li>Option</li> </ul> <p><b>005</b> C16-2 Relief</p>	<ul style="list-style-type: none"> <li>Port Type-</li> </ul> <p><b>A:</b> SAE</p> <ul style="list-style-type: none"> <li>To join SAE to SAE BAR manifolds</li> </ul>	<ul style="list-style-type: none"> <li>Material</li> </ul> <ul style="list-style-type: none"> <li><b>AA:</b> Aluminum</li> <li>• 6061T6</li> <li>• 210 BAR</li> <li><b>DA:</b> Ductile Iron</li> <li>• 654512</li> <li>• 350 BAR</li> </ul>	<ul style="list-style-type: none"> <li>Surface Finish</li> </ul> <p><b>XX:</b> Bare Metal</p> <ul style="list-style-type: none"> <li>Special Surface Finish Options Available Upon Special Request</li> </ul>	<ul style="list-style-type: none"> <li>Design Variant</li> </ul> <p><b>A:</b> Design A</p>

Subject to Change: CTIG-01-001A

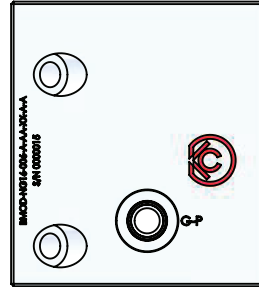
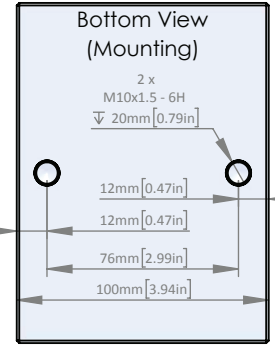
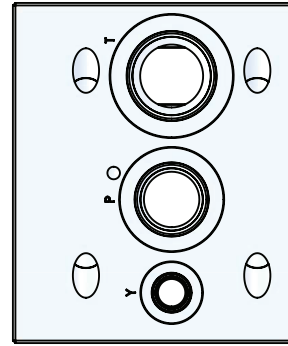
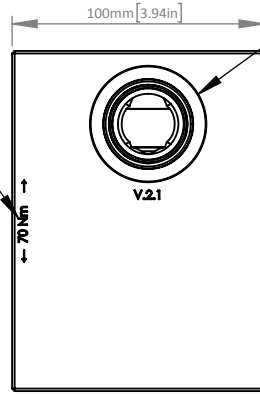


C16-2 Cavity  
For Relief Valve  
Flow 1 to 2

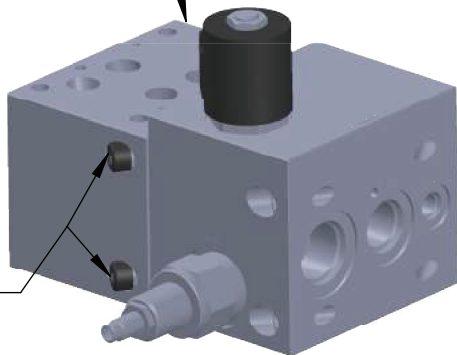
C16-2 Cavity  
For Unloading Valve  
Flow 2 to 1



End Bolt  
Torque

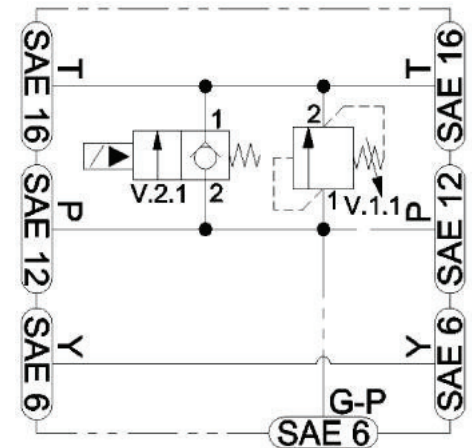


Module Compatible  
with NG16 (A Desing)  
BAR Manifold Series



Module Assembly Kit  
EDKT-NG16-01-BA-A  
See Bolt Kit Section  
for Details

Consult Factory  
for All Other  
Dimensional Data



<b>BMOD-</b>
• Product Family - Bar Manifold <b>MODULE</b>

<b>NG16-</b>
• Interface - <b>NG16 (D07)</b> 4401-07-07-0-05

<b>006-</b>
• Option • <b>006</b> C16-2 Relief C16-2 Unloader

<b>A-</b>
• Port Type - <b>A:</b> SAE • To join SAE to SAE BAR manifolds

<b>**-</b>
• Material • <b>AA:</b> Aluminum • 6061T6 • 210 BAR • <b>DA:</b> Ductile Iron • 654512 • 350 BAR

<b>XX-</b>
• Surface Finish <b>XX:</b> Bare Metal • Special Surface Finish Options Available Upon Special Request

<b>A</b>
• Design Variant <b>A:</b> Design A

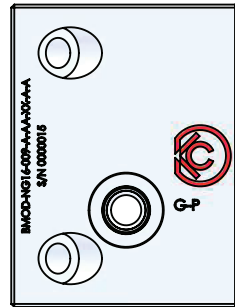
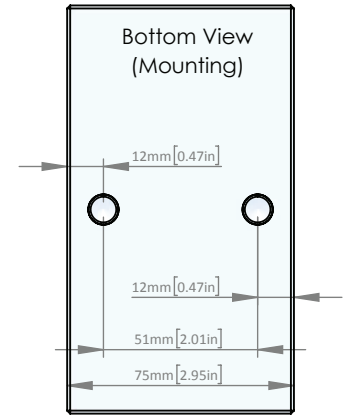
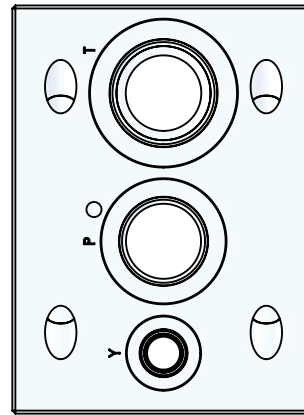
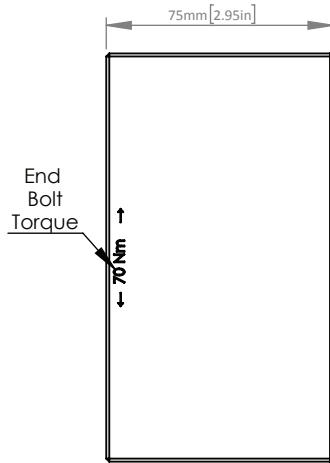
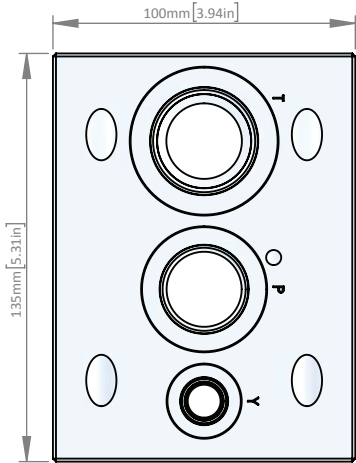
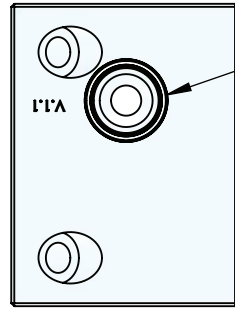
Subject to Change: CTIG-01-001A

BMOD: BAR Module

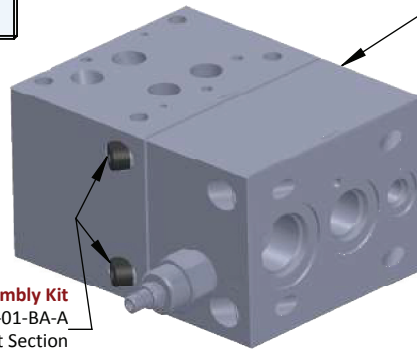
BMOD: BAR Module



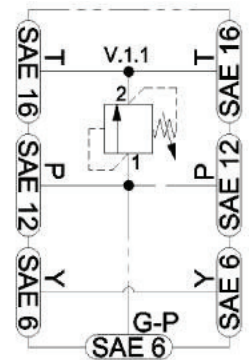
T-16A Cavity  
For Relief Valve  
Flow 1 to 2



Module Compatible  
with NG16 (A Desing)  
BAR Manifold Series



Module Assembly Kit  
EDKT-NG16-01-BA-A  
See Bolt Kit Section  
for Details



Consult Factory  
for All Other  
Dimensional Data

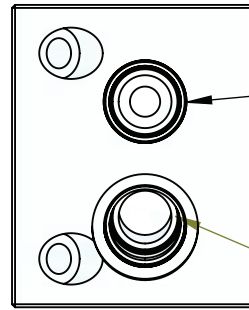
<p><b>BMOD-</b></p> <ul style="list-style-type: none"> <li>Product Family- Bar Manifold <b>MOD</b>ule</li> </ul>	<p><b>NG16-</b></p> <ul style="list-style-type: none"> <li>Interface - <b>NG16</b> (D07) 4401-07-07-0-05</li> </ul>	<p><b>009-</b></p> <ul style="list-style-type: none"> <li>Option <b>009</b> T-3A Relief</li> </ul>	<p><b>A-</b></p> <ul style="list-style-type: none"> <li>Port Type- <b>A:</b> SAE • To join SAE to SAE BAR manifolds</li> </ul>	<p><b>**-</b></p> <ul style="list-style-type: none"> <li>Material <b>AA:</b> Aluminum • 6061T6 • 210 BAR <b>DA:</b> Ductile Iron • 654512 • 350 BAR</li> </ul>	<p><b>XX-</b></p> <ul style="list-style-type: none"> <li>Surface Finish <b>XX:</b> Bare Metal • Special Surface Finish Options Available Upon Special Request</li> </ul>	<p><b>A</b></p> <ul style="list-style-type: none"> <li>Design Variant <b>A:</b> Design A</li> </ul>
--	---	--	--	--	--	---

Subject to Change: CTLG-01-001A

BMOD: BAR Module

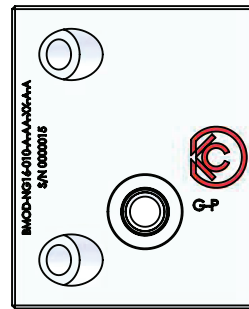
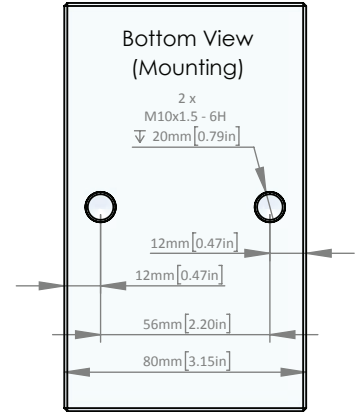
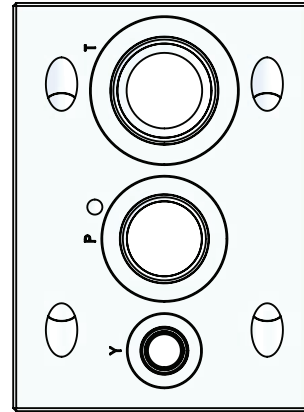
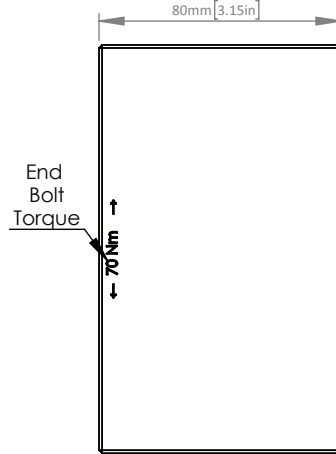
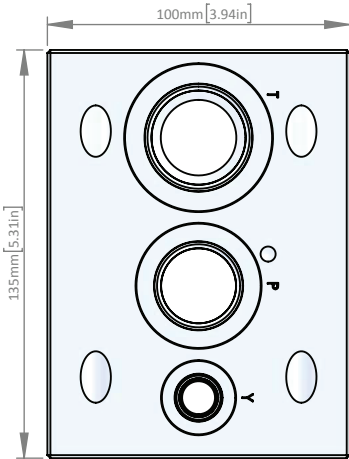
BMOD: BAR Module



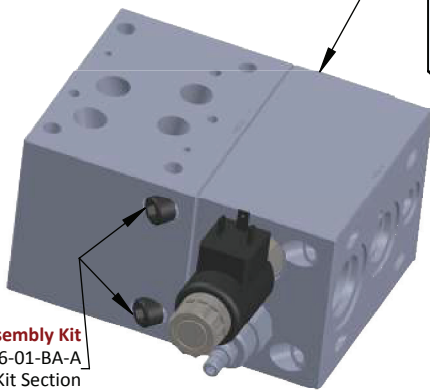


T-3A Cavity  
For Relief Valve  
Flow 1 to 2

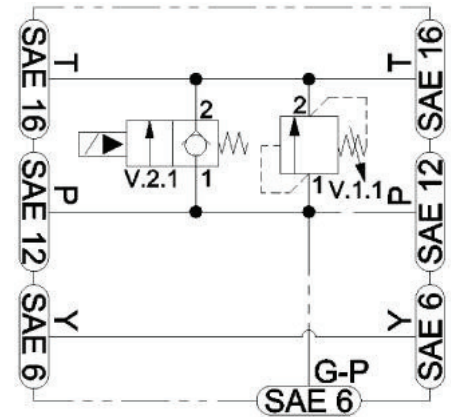
T-5A Cavity  
For Solenoid Dump Valve  
Flow 1 to 2



Module Compatible  
with NG16 (A Desig)  
BAR Manifold Series



Module Assembly Kit  
EDKT-NG16-01-BA-A  
See Bolt Kit Section  
for Details

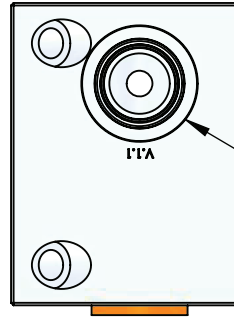


Consult Factory  
for All Other  
Dimensional Data

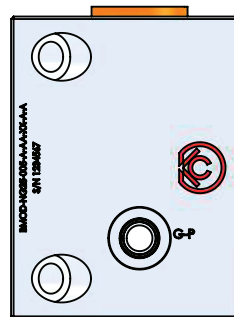
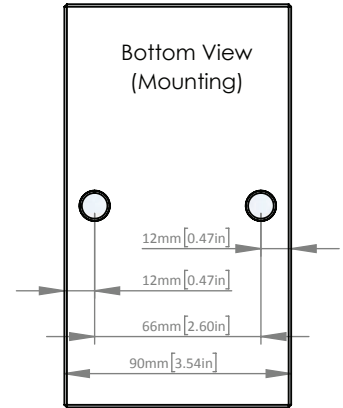
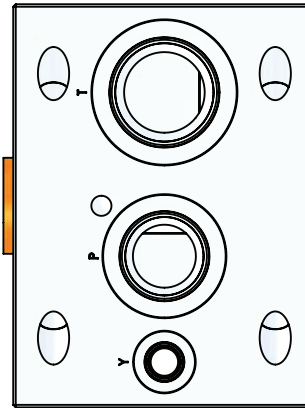
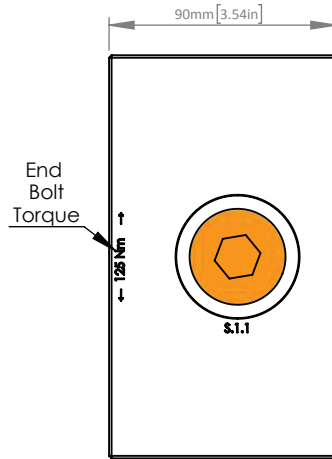
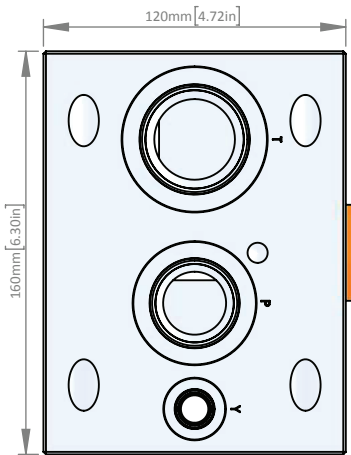
BMOD-	NG16-	010-	A-	**-	XX-	A
<ul style="list-style-type: none"> <li>Product Family-</li> </ul> <p>Bar Manifold <b>MOD</b>ule</p>	<ul style="list-style-type: none"> <li>Interface -</li> </ul> <p><b>NG16</b> (D07) 4401-07-07-0-05</p>	<ul style="list-style-type: none"> <li>Option</li> </ul> <p><b>010</b> T-3A Relief T-5A Unloader</p>	<ul style="list-style-type: none"> <li>Port Type-</li> </ul> <p><b>A:</b> SAE</p> <ul style="list-style-type: none"> <li>To join SAE to SAE BAR manifolds</li> </ul>	<ul style="list-style-type: none"> <li>Material</li> </ul> <ul style="list-style-type: none"> <li><b>AA:</b> Aluminum</li> <li>6061T6</li> <li>210 BAR</li> <li><b>DA:</b> Ductile Iron</li> <li>654512</li> <li>350 BAR</li> </ul>	<ul style="list-style-type: none"> <li>Surface Finish</li> </ul> <p><b>XX:</b> Bare Metal</p> <ul style="list-style-type: none"> <li>Special Surface Finish Options Available Upon Special Request</li> </ul>	<ul style="list-style-type: none"> <li>Design Variant</li> </ul> <p><b>A:</b> Design A</p>

BMOD: BAR Module

BMOD: BAR Module



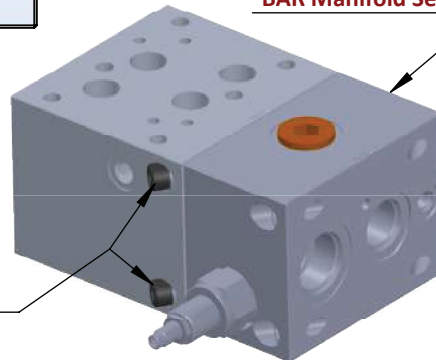
C16-2 Cavity  
For Relief Valve  
Flow 1 to 2



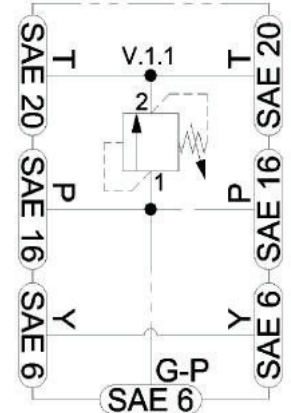
BMOD: BAR Module

BMOD: BAR Module

Module Compatible  
with NG25 (A Desing)  
BAR Manifold Series



Module Assembly Kit  
EDKT-NG25-01-BA-A  
See Bolt Kit Section  
for Details



Consult Factory  
for All Other  
Dimensional Data

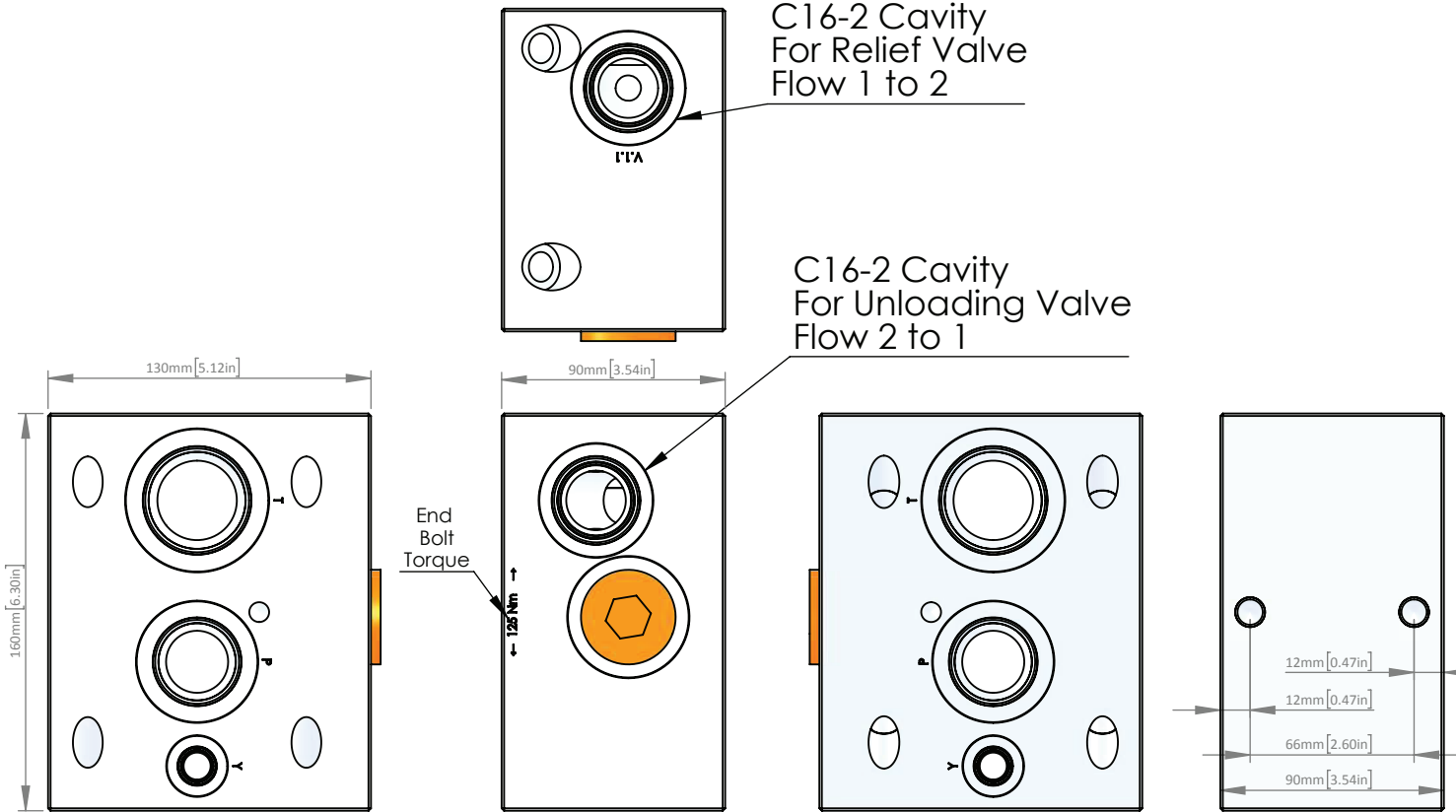
BMOD-	NG25-	005-	A-	**	XX-	A
<ul style="list-style-type: none"> <li>Product Family- <b>Bar Manifold</b> <b>MOD</b>ule</li> </ul>	<ul style="list-style-type: none"> <li>Interface - <b>NG25</b> (D08) 4401-08-08-0-05</li> </ul>	<ul style="list-style-type: none"> <li>Option <b>005</b> C16-2 Relief</li> </ul>	<ul style="list-style-type: none"> <li>Port Type- <b>A:</b> SAE</li> <li>To join SAE to SAE BAR manifolds</li> </ul>	<ul style="list-style-type: none"> <li>Material</li> <li><b>AA:</b> Aluminum</li> <li>6061T6</li> <li>210 BAR</li> <li><b>DA:</b> Ductile Iron</li> <li>654512</li> <li>350 BAR</li> </ul>	<ul style="list-style-type: none"> <li>Surface Finish <b>XX:</b> Bare Metal</li> <li>Special Surface Finish Options Available Upon Special Request</li> </ul>	<ul style="list-style-type: none"> <li>Design Variant <b>A:</b> Design A</li> </ul>

Subject to Change: CTLG-01-001A

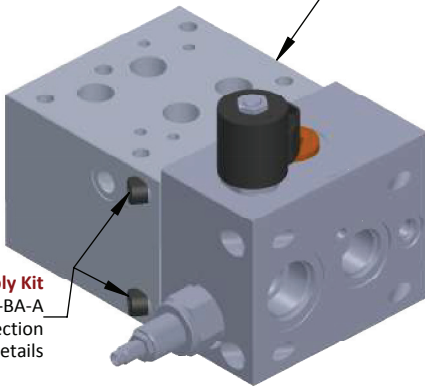


BMOD: BAR Module

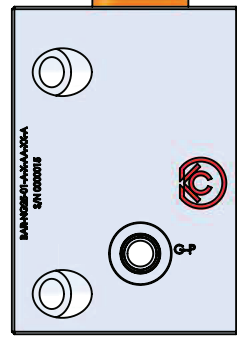
BMOD: BAR Module



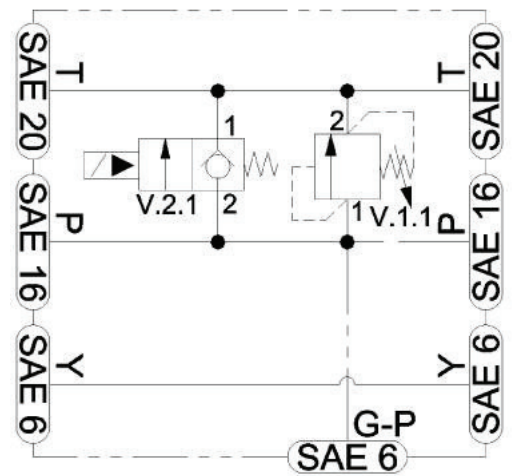
Module Compatible with NG25 (A Desing) BAR Manifold Series



Module Assembly Kit EDKT-NG25-01-BA-A See Bolt Kit Section for Details



Consult Factory for All Other Dimensional Data



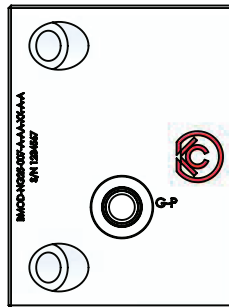
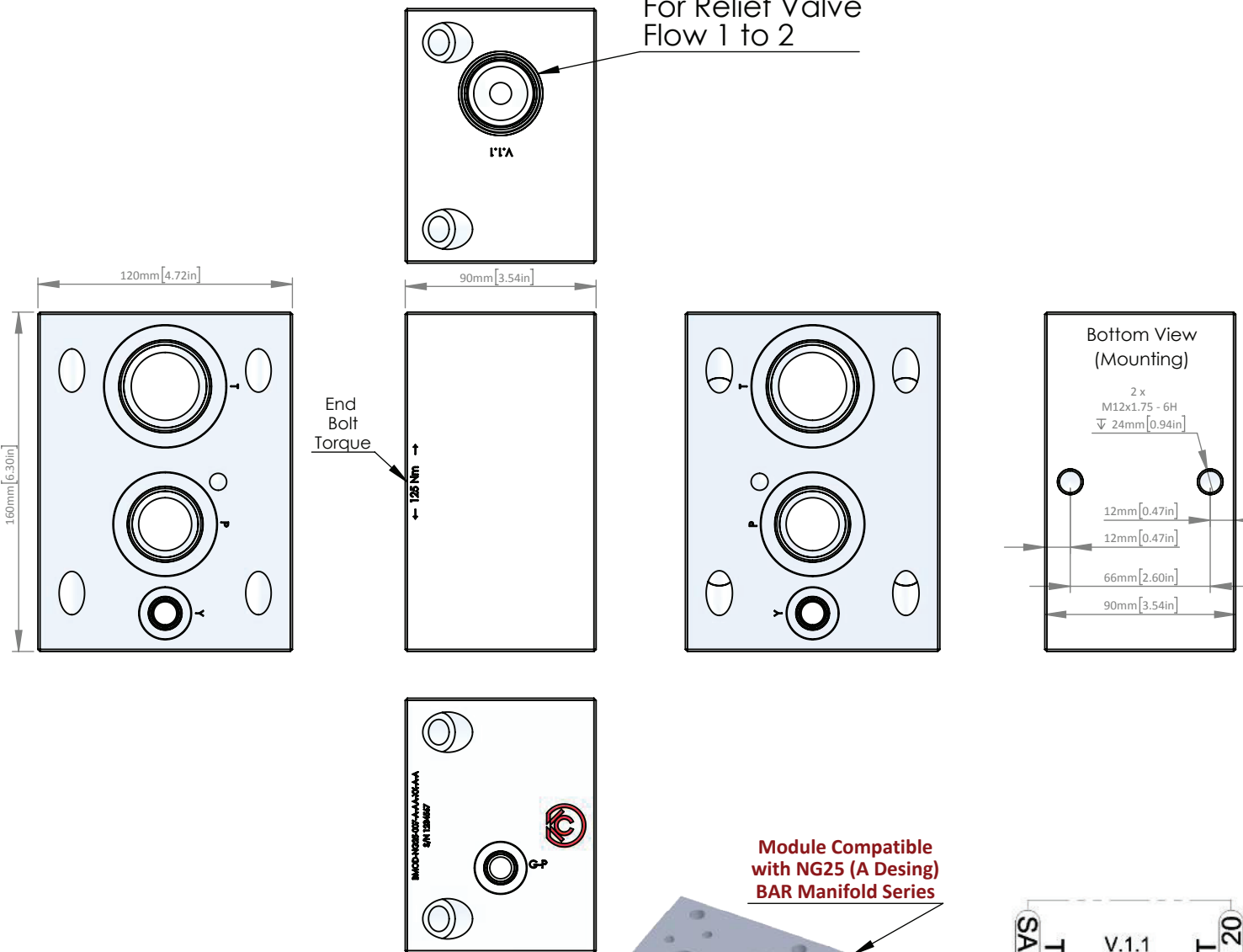
<p><b>BMOD-</b></p> <ul style="list-style-type: none"> <li>Product Family- Bar Manifold <b>MOD</b>ule</li> </ul>	<p><b>NG25-</b></p> <ul style="list-style-type: none"> <li>Interface - <b>NG25</b> (D08) 4401-08-08-0-05</li> </ul>	<p><b>006-</b></p> <ul style="list-style-type: none"> <li>Option <b>006</b> C16-2 Relief C16-2 Unloader</li> </ul>	<p><b>A-</b></p> <ul style="list-style-type: none"> <li>Port Type- <b>A:</b> SAE</li> <li>To join SAE to SAE BAR manifolds</li> </ul>	<p><b>**-</b></p> <ul style="list-style-type: none"> <li>Material <b>AA:</b> Aluminum 6061T6 210 BAR <b>DA:</b> Ductile Iron 654512 350 BAR</li> </ul>	<p><b>XX-</b></p> <ul style="list-style-type: none"> <li>Surface Finish <b>XX:</b> Bare Metal</li> <li>Special Surface Finish Options Available Upon Special Request</li> </ul>	<p><b>A</b></p> <ul style="list-style-type: none"> <li>Design Variant <b>A:</b> Design A</li> </ul>
--	---	--	---	--	---	---

Subject to Change: CTLG-01-001A

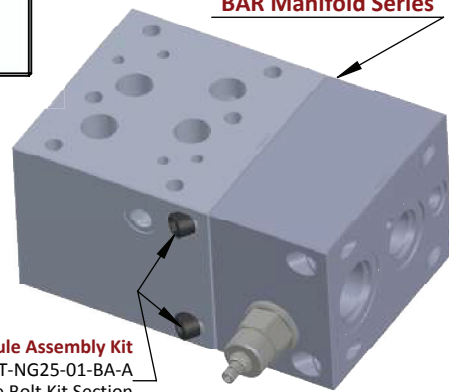


BMOD: BAR Module

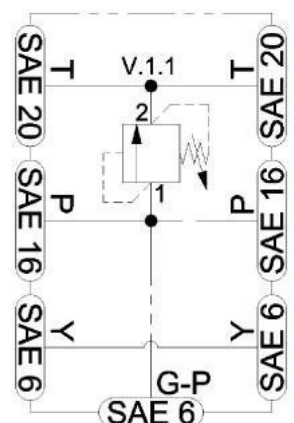
BMOD: BAR Module



**Module Compatible with NG25 (A Desing) BAR Manifold Series**



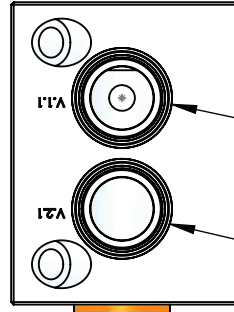
**Module Assembly Kit**  
 EDKT-NG25-01-BA-A  
 See Bolt Kit Section for Details



Consult Factory for All Other Dimensional Data

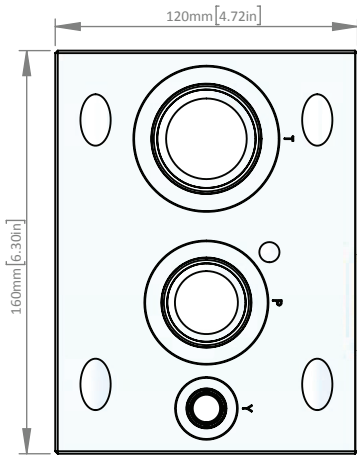
<p><b>BMOD-</b></p> <ul style="list-style-type: none"> <li>Product Family- Bar Manifold <b>MOD</b>ule</li> </ul>	<p><b>NG25-</b></p> <ul style="list-style-type: none"> <li>Interface - <b>NG25</b> (D08) 4401-08-08-0-05</li> </ul>	<p><b>007-</b></p> <ul style="list-style-type: none"> <li>Option <b>007</b> T-16A Relief</li> </ul>	<p><b>A-</b></p> <ul style="list-style-type: none"> <li>Port Type- <b>A:</b> SAE</li> <li>To join SAE to SAE BAR manifolds</li> </ul>	<p><b>**-</b></p> <ul style="list-style-type: none"> <li>Material <b>AA:</b> Aluminum • 6061T6 • 210 BAR <b>DA:</b> Ductile Iron • 654512 • 350 BAR</li> </ul>	<p><b>XX-</b></p> <ul style="list-style-type: none"> <li>Surface Finish <b>XX:</b> Bare Metal</li> <li>Special Surface Finish Options Available Upon Special Request</li> </ul>	<p><b>A</b></p> <ul style="list-style-type: none"> <li>Design Variant <b>A:</b> Design A</li> </ul>
--	---	---	---	--	---	---

Subject to Change: CTLG-01-001A

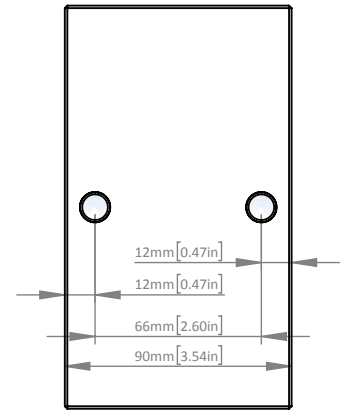
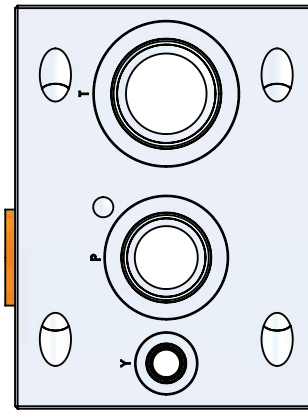
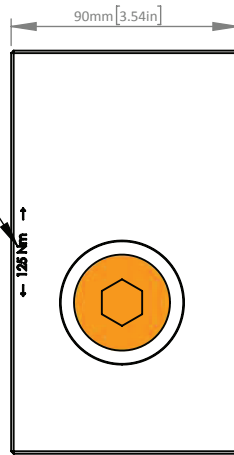


T-16A Cavity  
For Relief Valve  
Flow 1 to 2

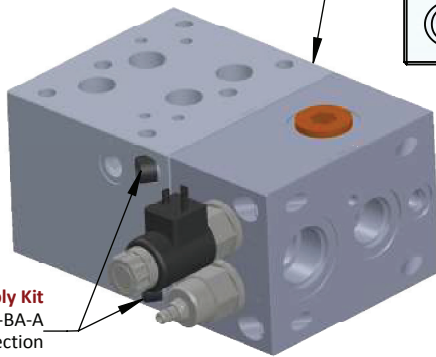
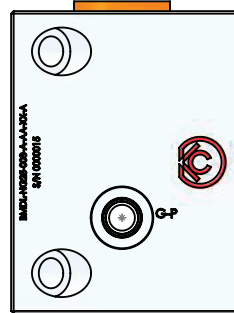
T-16A Cavity  
For Solenoid Dump Valve  
Flow 1 to 2



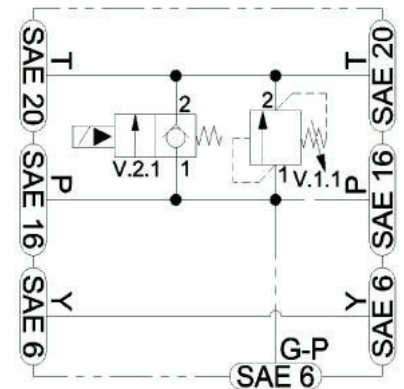
End Bolt  
Torque



Module Compatible  
with NG25 (A Desing)  
BAR Manifold Series



Module Assembly Kit  
EDKT-NG25-01-BA-A  
See Bolt Kit Section  
for Details

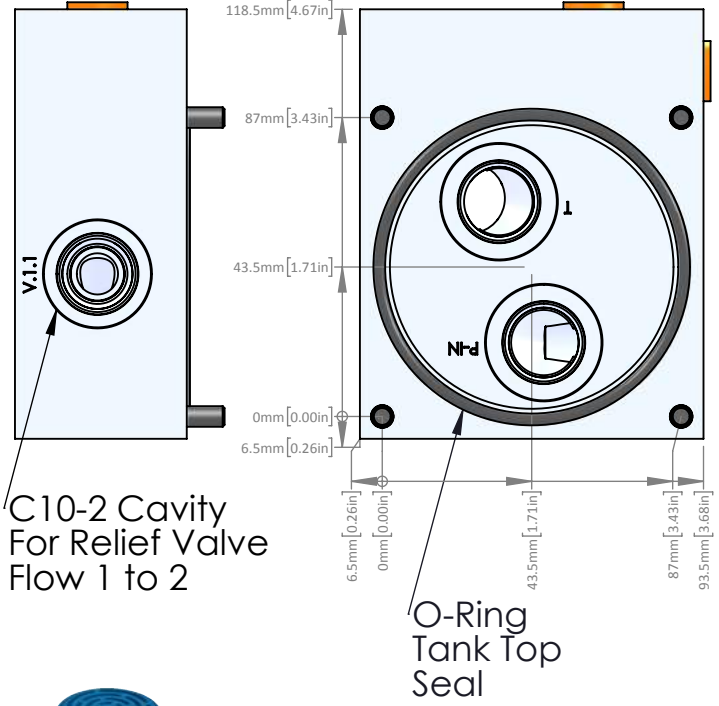
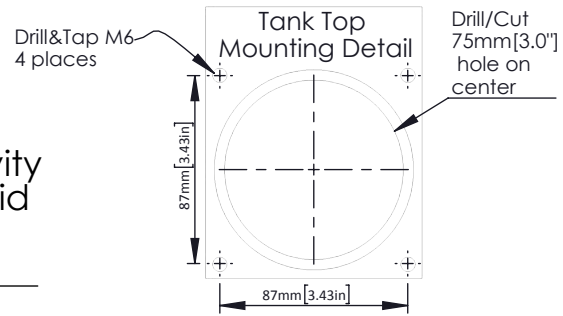
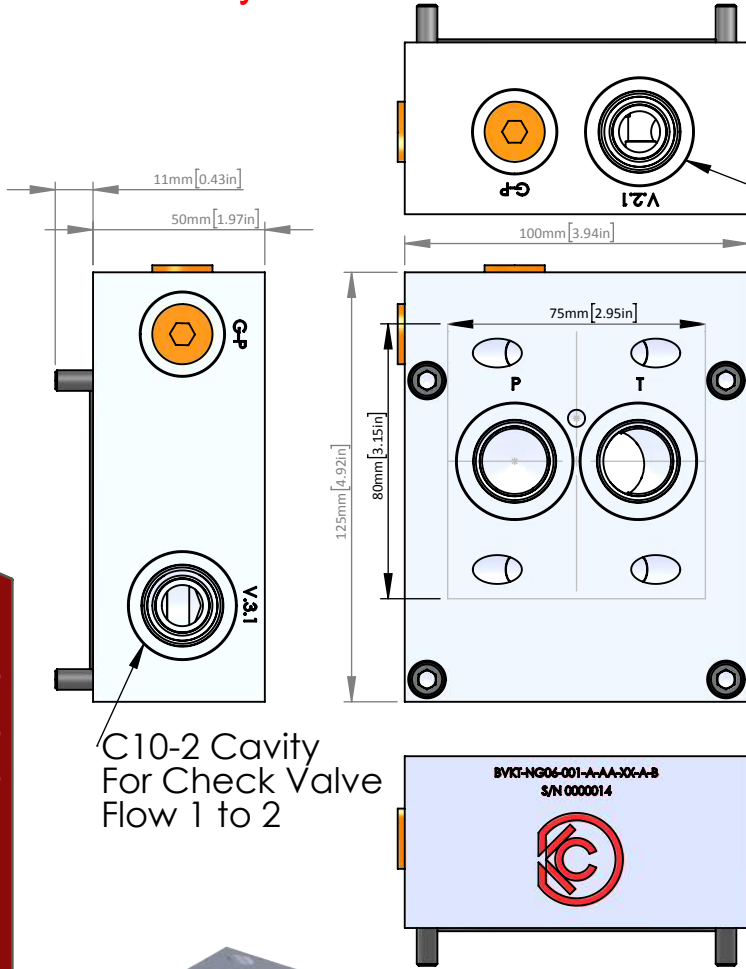


Consult Factory  
for All Other  
Dimensional Data

<p><b>BMOD-</b></p> <ul style="list-style-type: none"> <li>Product Family-</li> </ul> <p><b>Bar Manifold MODule</b></p>	<p><b>NG25-</b></p> <ul style="list-style-type: none"> <li>Interface -</li> </ul> <p><b>NG25 (D08)</b> 4401-08-08-0-05</p>	<p><b>008-</b></p> <ul style="list-style-type: none"> <li>Option</li> </ul> <p><b>008</b> T-16A Relief T-16A Unloader</p>	<p><b>A-</b></p> <ul style="list-style-type: none"> <li>Port Type-</li> </ul> <p><b>A:</b> SAE</p> <ul style="list-style-type: none"> <li>To join SAE to SAE BAR manifolds</li> </ul>	<p><b>**</b></p> <ul style="list-style-type: none"> <li>Material</li> </ul> <ul style="list-style-type: none"> <li><b>AA:</b> Aluminum</li> <li>6061T6</li> <li>210 BAR</li> <li><b>DA:</b> Ductile Iron</li> <li>654512</li> <li>350 BAR</li> </ul>	<p><b>XX-</b></p> <ul style="list-style-type: none"> <li>Surface Finish</li> </ul> <p><b>XX:</b> Bare Metal</p> <ul style="list-style-type: none"> <li>Special Surface Finish Options Available Upon Special Request</li> </ul>	<p><b>A</b></p> <ul style="list-style-type: none"> <li>Design Variant</li> </ul> <p><b>A:</b> Design A</p>
---	--	---	---	--	---	--

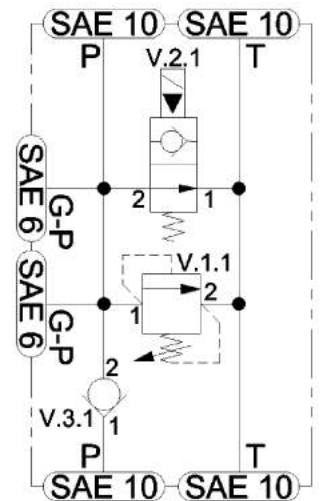
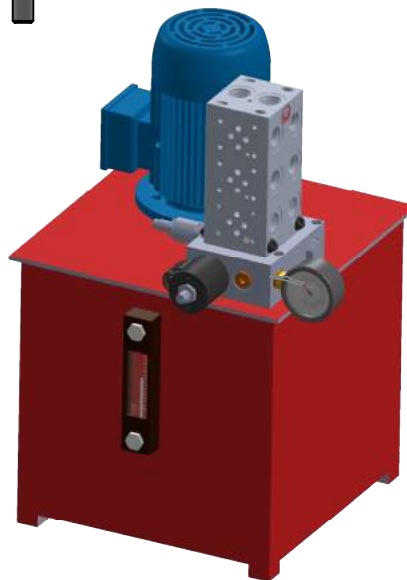
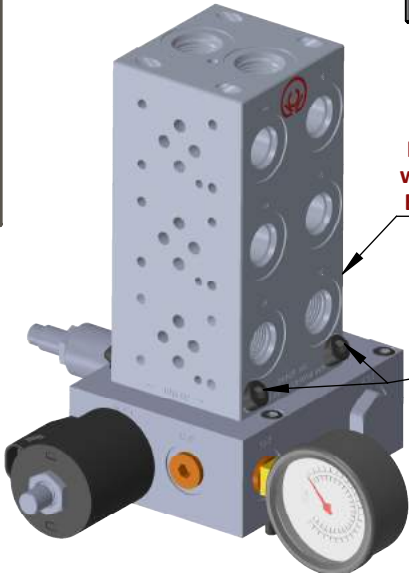


**Additional Sizes/Options Available  
Consult Factory for Details**



BVKT: BAR Valve Kit

BVKT: BAR Valve Kit



Consult Factory for All Other Dimensional Data

<b>BVKT-</b>	<b>NG06-</b>	<b>001-</b>	<b>A-</b>	<b>**-</b>	<b>XX-</b>	<b>A</b>	<b>K</b>
• Product Family - <b>BAR Valve Kit</b>	• BAR Size • <b>NG06 (D03)</b>	• Circuit  • <b>001:</b> Tank Top Mount C10-2 Relief C10-2 Unloader C10-2 Pump Check	• Port Type - <b>A:</b> SAE Type	• Material  • <b>AA:</b> Aluminum • 6061T6 • 210 BAR • <b>DA:</b> Ductile Iron • 654512 • 350 BAR	• Surface Finish  <b>XX:</b> Bare Metal  • Special Surface Finish Options Available Upon Special Request	• Design Variant  <b>A:</b> Design A	• Asm State  <b>K:</b> Plugs and Seal included

Subject to Change: CTLG-01-001A



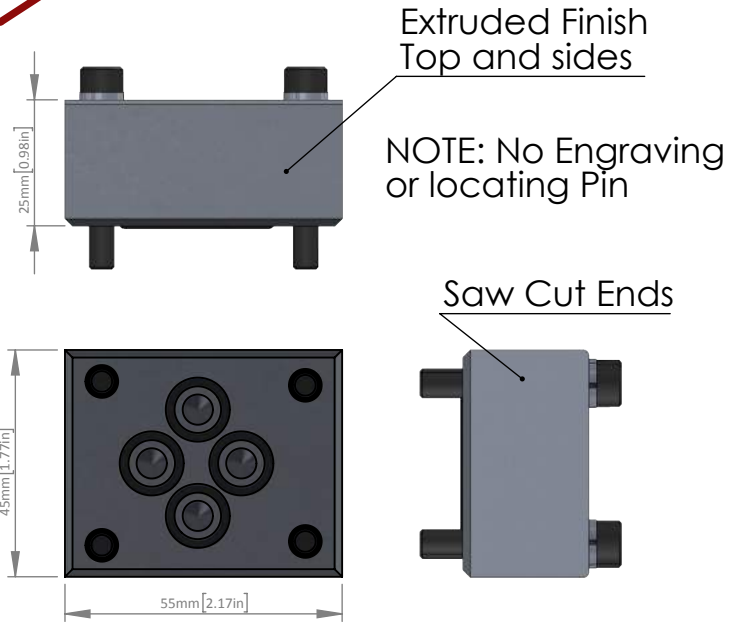
**NG06 / D03 : All Ports Blocked**

Interface Conforms to: ISO 4401-03-02-0-05

Aluminum P/N: ECVP-NG06-XX-X-AA-XX-A

Ductile P/N: ECVP-NG06-XX-X-DA-XX-A

ITEM NO.	QTY.	PART NUMBER	DESCRIPTION
1	1	ECVP-NG06-XX-X-_-XX-A	NG06 D03 E-Cover Plate, All Blocked
2	4	BOLT-SHC-M5x35-C-BA-129	M5 x 35 Long Socket Head Cap Screw
3	4	WASR-HCL-M05-2-BA	High Collar Lock Washer, M6
4	4	SEAL-ORG-BA-A-012	O-Ring, Buna-N, 70 Duro, -012



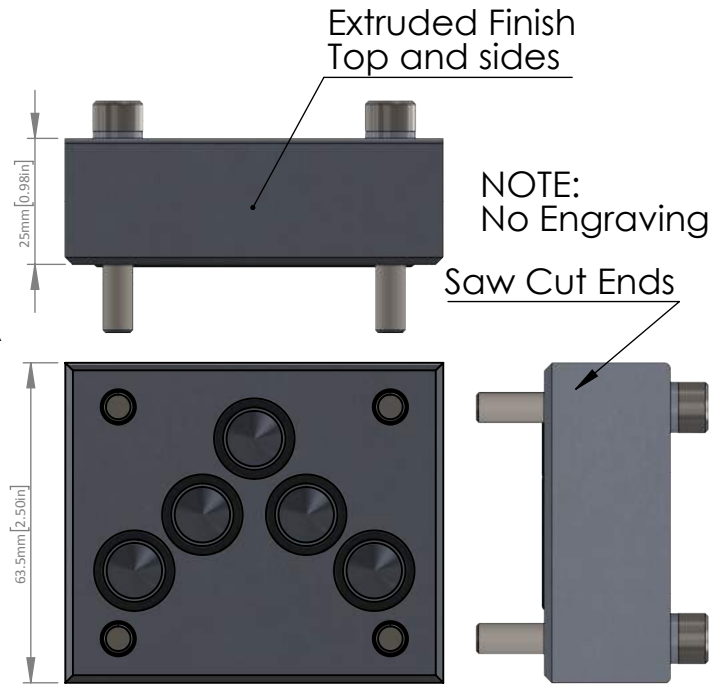
**NG10 / D05 : All Ports Blocked**

Interface Conforms to: ISO 4401-05-04-0-05

Aluminum P/N: ECVP-NG10-XX-X-AA-XX-A

Ductile P/N: ECVP-NG10-XX-X-DA-XX-A

ITEM NO.	QTY.	PART NUMBER	DESCRIPTION
1	1	ECVP-NG10-XX-X-_-XX-A	NG10 D05 E-Cover Plate, All Blocked
2	4	BOLT-SHC-M6x40-C-BA-129	M6 x 40 Long Socket Head Cap Screw
3	4	WASR-HCL-M06-2-BA	High Collar Lock Washer, M6
4	5	SEAL-ORG-BA-A-014	O-Ring, Buna-N, 70 Duro, -014



ECVP: E-Cover Plates

ECVP: E-Cover Plates

<p><b>ECVP-</b></p> <ul style="list-style-type: none"> <li>Product Family- Economy CoVer Plate</li> </ul>	<p><b>****_</b></p> <ul style="list-style-type: none"> <li>"BAR Size</li> <li>NG06 (D03)</li> <li>NG10 (D05)</li> </ul>	<p><b>XX-</b></p> <ul style="list-style-type: none"> <li>Connection option</li> <li>XX: All Ports Blocked</li> </ul>	<p><b>X-</b></p> <ul style="list-style-type: none"> <li>Port Type</li> <li>X: None</li> </ul>	<p><b>**_</b></p> <ul style="list-style-type: none"> <li>Material</li> <li>AA: Aluminum                             <ul style="list-style-type: none"> <li>6061T6</li> <li>210 BAR</li> </ul> </li> <li>DA: Ductile Iron                             <ul style="list-style-type: none"> <li>654512</li> <li>350 BAR</li> </ul> </li> </ul>	<p><b>XX-</b></p> <ul style="list-style-type: none"> <li>Surface Finish</li> <li>XX: Bare Metal</li> <li>Special Surface Finish Options Available Upon Special Request</li> </ul>	<p><b>A</b></p> <ul style="list-style-type: none"> <li>Design Variant</li> <li>A: Design A</li> </ul>
---	---	--	---	--	---	---

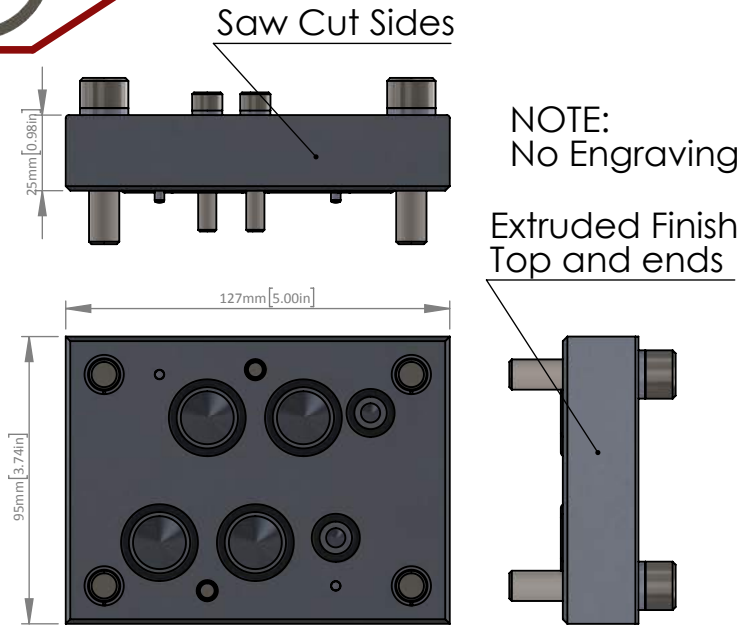
Subject to Change: CTLG-01-001A



**NG16 / D07 : All Ports Blocked**

Interface Conforms to: ISO 4401-07-07-0-05  
 Aluminum P/N: ECVP-NG16-XX-X-AA-XX-A  
 Ductile P/N: ECVP-NG16-XX-X-DA-XX-A

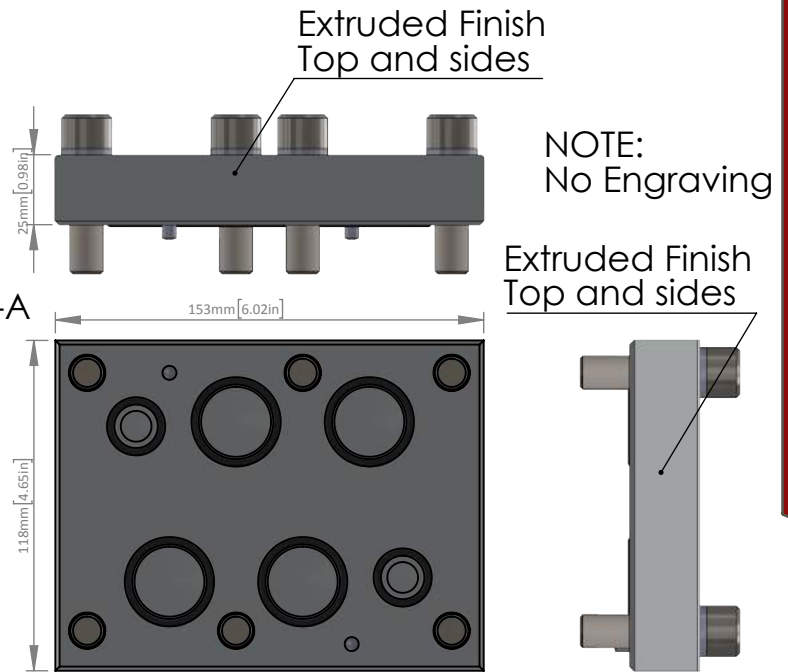
ITEM NO.	QTY.	PART NUMBER	DESCRIPTION
1	1	ECVP-NG16-XX-X-_-XX-A	NG16 D07 E-Cover Plate, All Blocked
2	4	BOLT-SHC-M10x45-C-BA-129	M10 x 45 Long Socket Head Cap Screw
3	4	WASH-HCL-M10-BA	High Collar Lock Washer, M10
4	2	BOLT-SHC-M6x40-C-BA-129	M6 x 40 Long Socket Head Cap Screw
5	2	WASR-HCL-M06-2-BA	High Collar Lock Washer, M6
6	2	SEAL-ORG-BA-A-111	O-Ring, Buna-N, 70 Duro, -111
7	4	SEAL-ORG-BA-A-117	O-Ring, Buna-N, 70 Duro, -117
8	2	PIN-DP-1_8x375	1/8 x 3/8 Long Dowel Pin



**NG25 / D08 : All Ports Blocked**

Interface Conforms to: ISO 4401-08-08-0-05  
 Aluminum P/N: ECVP-NG25-XX-X-AA-XX-A  
 Ductile P/N: ECVP-NG25-XX-X-DA-XX-A

ITEM NO.	QTY.	PART NUMBER	DESCRIPTION
1	1	ECVP-NG25-XX-X-_-XX-A	NG16 D07 E-Cover Plate, All Blocked
2	6	BOLT-SHC-M12x45-C-BA-129	M12 x 45 Long Socket Head Cap Screw
3	6	WASR-HCL-M12-BA	High Collar Lock Washer, M12
4	4	SEAL-ORG-BA-A-121	O-Ring, Buna-N, 70 Duro, -121
5	2	SEAL-ORG-BA-A-114	O-Ring, Buna-N, 70 Duro, -114
6	2	PIN-DP-M05X14	M5 x 14mm Long Dowel Pin



ECVP: E-Cover Plates

ECVP: E-Cover Plates

<b>ECVP-</b>	<b>***_</b>	<b>XX-</b>	<b>X-</b>	<b>**_</b>	<b>XX-</b>	<b>A</b>
<ul style="list-style-type: none"> <li>Product Family</li> <li>Economy CoVer Plate</li> </ul>	<ul style="list-style-type: none"> <li>BAR Size</li> <li>NG16 (D07)</li> <li>NG25 (D08)</li> </ul>	<ul style="list-style-type: none"> <li>Connection option</li> <li>XX: All Ports Blocked</li> </ul>	<ul style="list-style-type: none"> <li>Port Type</li> <li>X: None</li> </ul>	<ul style="list-style-type: none"> <li>Material</li> <li>AA: Aluminum                             <ul style="list-style-type: none"> <li>6061T6</li> <li>210 BAR</li> </ul> </li> <li>DA: Ductile Iron                             <ul style="list-style-type: none"> <li>654512</li> <li>350 BAR</li> </ul> </li> </ul>	<ul style="list-style-type: none"> <li>Surface Finish</li> <li>XX: Bare Metal</li> <li>Special Surface Finish Options Available Upon Special Request</li> </ul>	<ul style="list-style-type: none"> <li>Design Variant</li> <li>A: Design A</li> </ul>

Subject to Change: CTLG-01-001A





For **NG06 (D03)** Design C, SAE Ports  
P/N w/ Buna Seals: **EDKT-NG06-01-BA-C**

ITEM NO.	QTY.	PART NUMBER	DESCRIPTION
1	4	BOLT-SHC-M08x35-C-BA-129	M8 x 35 Long Socket Head Cap Screw
2	4	WASR-HCL-M08-2-BA	High Collar Lock Washer, M8
3	2	SEAL-ORG-BA-A-215	O-Ring, Buna-N, 70 Duro, -215
4	1	PIN-DP-M05X14	M5 x 14mm Long Dowl Pin

For **NG10 (D05)** Design A  
P/N w/ Buna Seals: **EDKT-NG10-01-BA-A**

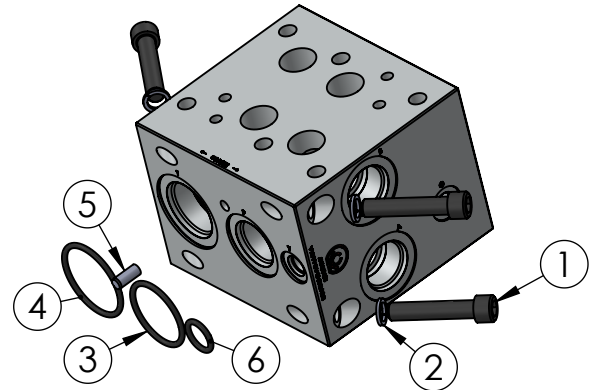
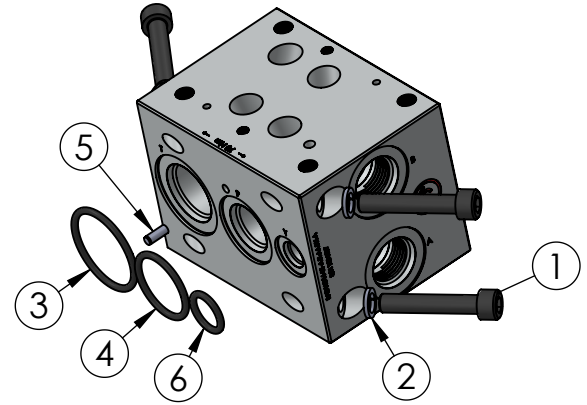
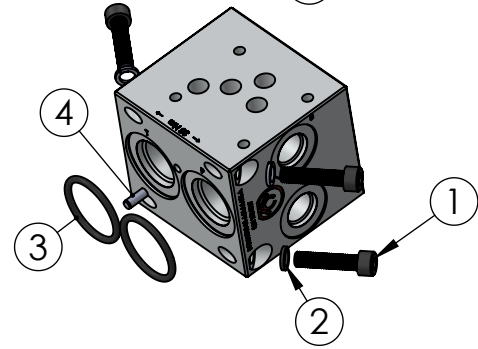
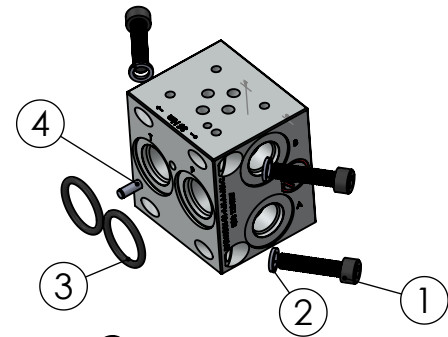
ITEM NO.	QTY.	PART NUMBER	DESCRIPTION
1	4	BOLT-SHC-M08x35-C-BA-129	M8 x 35 Long Socket Head Cap Screw
2	4	WASR-HCL-M08-2-BA	High Collar Lock Washer, M8
3	2	SEAL-ORG-BA-A-220	O-Ring, Buna-N, 70 Duro, -220
4	1	PIN-DP-M05X14	M5 x 14mm Long Dowl Pin

For **NG16 (D07)** Design A  
P/N w/ Buna Seals: **EDKT-NG16-01-BA-A**

BOM Table			
ITEM NO.	QTY.	PART NUMBER	DESCRIPTION
1	4	BOLT-SHC-M10x55-C-BA-129	M10 x 55 Long Socket Head Cap Screw
2	4	WASH-HCL-M10-BA	High Collar Lock Washer, M10
3	1	SEAL-ORG-BA-A-224	O-Ring, Buna-N, 70 Duro, -224
4	1	SEAL-ORG-BA-A-220	O-Ring, Buna-N, 70 Duro, -220
5	1	SEAL-ORG-BA-A-210	O-Ring, Buna-N, 70 Duro, -210
6	1	PIN-DP-M05X14	M5 x 14mm Long Dowl Pin

For **NG25 (D08)** Design A  
P/N w/ Buna Seals: **EDKT-NG25-01-BA-A**

BOM Table			
ITEM NO.	QTY.	PART NUMBER	DESCRIPTION
1	4	BOLT-SHC-M12x60-C-BA-129	M12 x 60 Long Socket Head Cap Screw
2	4	WASR-HCL-M12-BA	High Collar Lock Washer, M12
3	1	SEAL-ORG-BA-A-224	O-Ring, Buna-N, 70 Duro, -224
4	1	SEAL-ORG-BA-A-226	O-Ring, Buna-N, 70 Duro, -226
5	1	PIN-DP-M08x20	M8 x 20mm Long Dowl Pin
6	1	SEAL-ORG-BA-A-210	O-Ring, Buna-N, 70 Duro, -210



EDKT: BAR End Bolt Kits

EDKT: BAR End Bolt Kits

<b>EDKT-</b>
•Product Family- BAR EnD mounting Kit

<b>****_</b>
•BAR Size •NG06 (D03) •NG10 (D05) •NG16 (D07) •NG25 (D08)

<b>01-</b>
•Port Type- 01: SAE Type w/ Standard Bolts

<b>**_</b>
•Seal Material •BA: Buna •VA: Viton

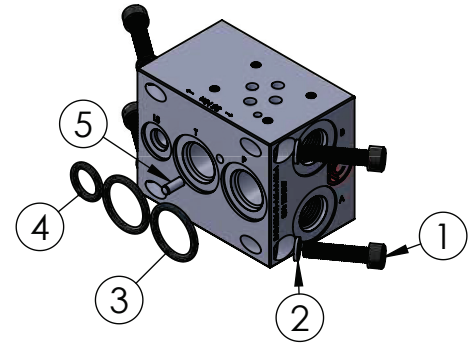
<b>A</b>
•Design Variant A: Design A

Subject to Change: CTLG-01-001A



For Load Sensing **NG06 (D03)** Desing A  
 P/N w/ Buna Seals: **EDKT-LS06-01-BA-A**

ITEM NO.	QTY.	PART NUMBER	DESCRIPTION
1	4	BOLT-SHC-M08x35-C-BA-129	M8 x 35 Long Socket Head Cap Screw
2	4	WASR-HCL-M08-2-BA	High Collar Lock Washer, M8
3	2	SEAL-ORG-BA-A-215	O-Ring, Buna-N, 70 Duro, -215
4	1	SEAL-ORG-BA-A-208	O-Ring, Buna-N, 70 Duro, -208
5	1	PIN-DP-M05X14	M5 x 14mm Long Dowl Pin



EDKT: BAR End Bolt Kits

EDKT: BAR End Bolt Kits

**EDKT-**

- Product Family-

BAR **EnD** mounting **Kit**

**\*\*\*\*\_**

- BAR With Load Sensing

- LS06** (D03)
- LS10** (D05)
- LS16** (D07)
- LS25** (D08)

**01-**

- Port Type-

**01:** SAE Type w/  
Standard Bolts

**\*\*\_**

- Seal Material

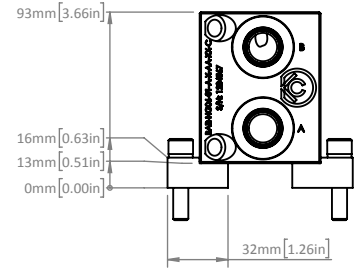
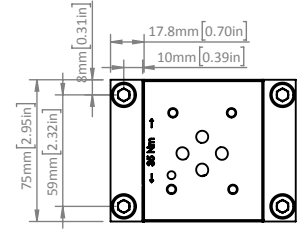
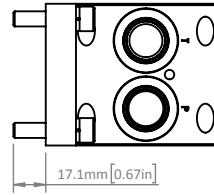
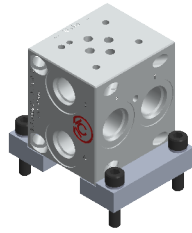
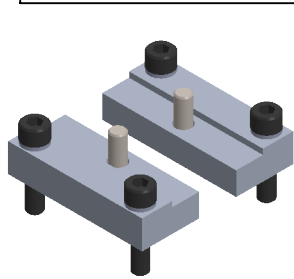
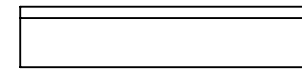
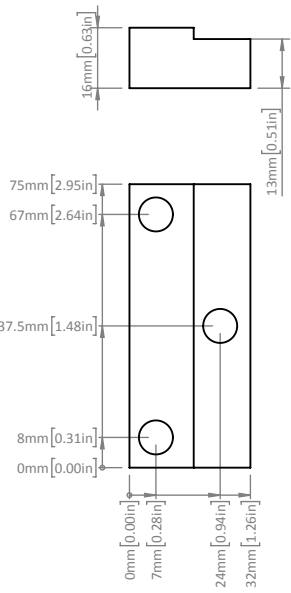
- BA:** Buna
- VA:** Viton

**A**

- Design Variant

**A:** Design A

Subject to Change: CTLG-01-001A

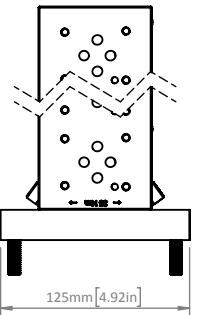
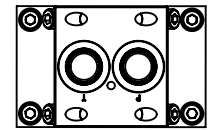
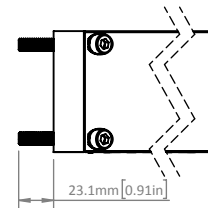
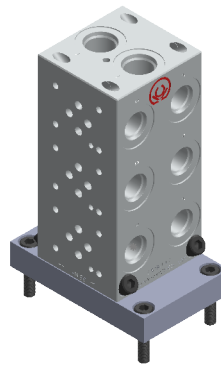
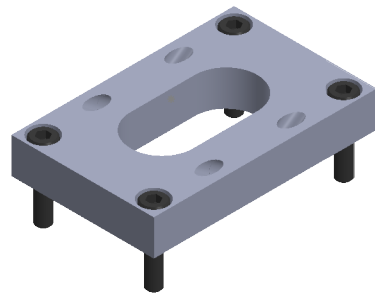


For **NG6 (D03)**  
P/N: **MTKT-NG06-001-K-01-A**

ITEM NO.	QTY.	PART NUMBER	DESCRIPTION
1	2	MTKT-NG06-001-B-xx-A	NG06 Mounting Bracket, Foot Mount
2	4	BOLT-SHC-M08x35-C-BA-12 9	M08 x 35 Long Socket Head Cap Screw
3	2	BOLT-SHC-M08x20-C-BA-129	M08 x 20 Long Socket Head Cap Screw
4	6	WASR-HCL-M08-2-BA	High Collar Lock Washer, M8

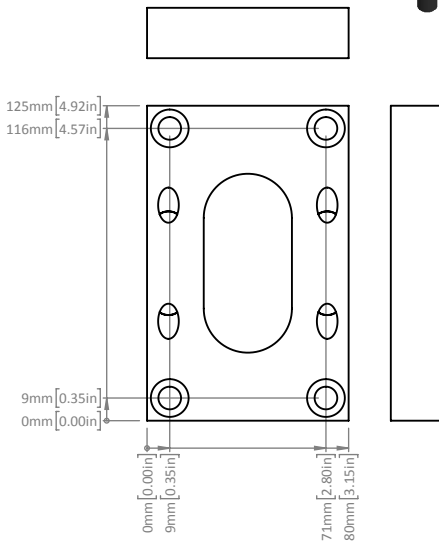
MTKT: BAR Mounting Kit

MTKT: BAR Mounting Kit



For **NG6 (D03)**  
P/N: **MTKT-NG06-002-K-01-A**

ITEM NO.	QTY.	PART NUMBER	DESCRIPTION
1	4	BOLT-SHC-M08x35-C-BA-12 9	M08 x 35 Long Socket Head Cap Screw
2	4	WASR-HCL-M08-2-BA	High Collar Lock Washer, M8
3	1	BAR-NG10-002-A-AA-XX-A-B	NG06 Mounting Bracket, Base Mount



**MTKT-**

- Product Family -

**BAR Mounting Kit**

**NG06-**

- BAR Size
- NG06 (D03)**

**\*\*\*-**

- Port Type -
- 001:** Foot Mount
- 002:** Base Mount

**K-**

- Assembly Level

**K:** Complete Kit

**01-**

- Hardware Modifier

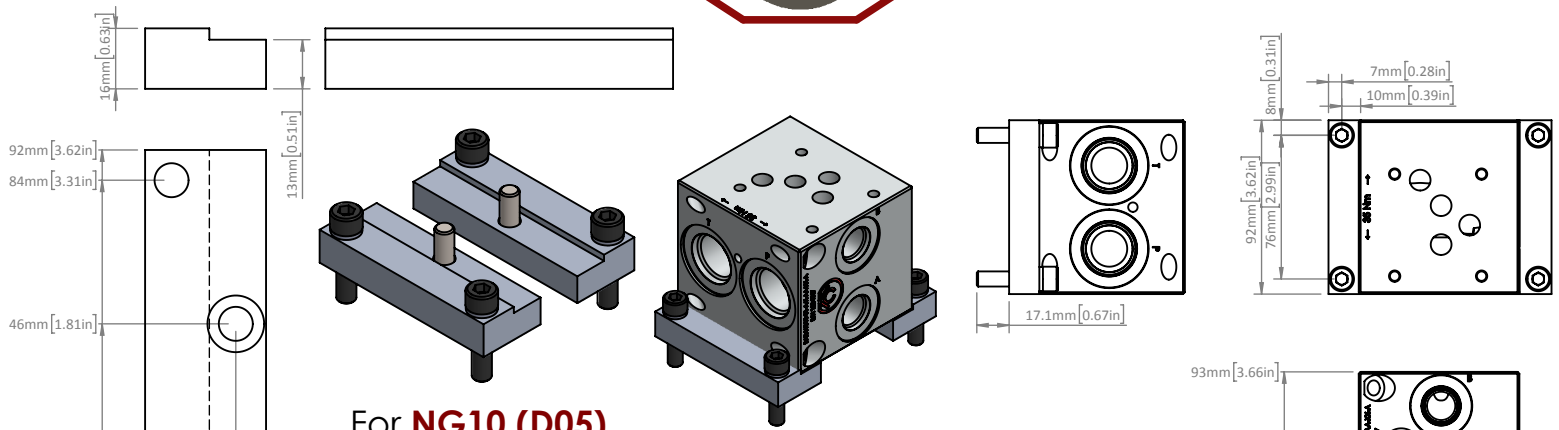
**01:** Aluminum Bracket w / Steel Bolts

**A**

- Design Variant

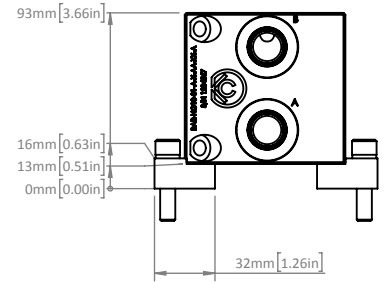
**A:** Design A

Subject to Change: CTLG-01-001A



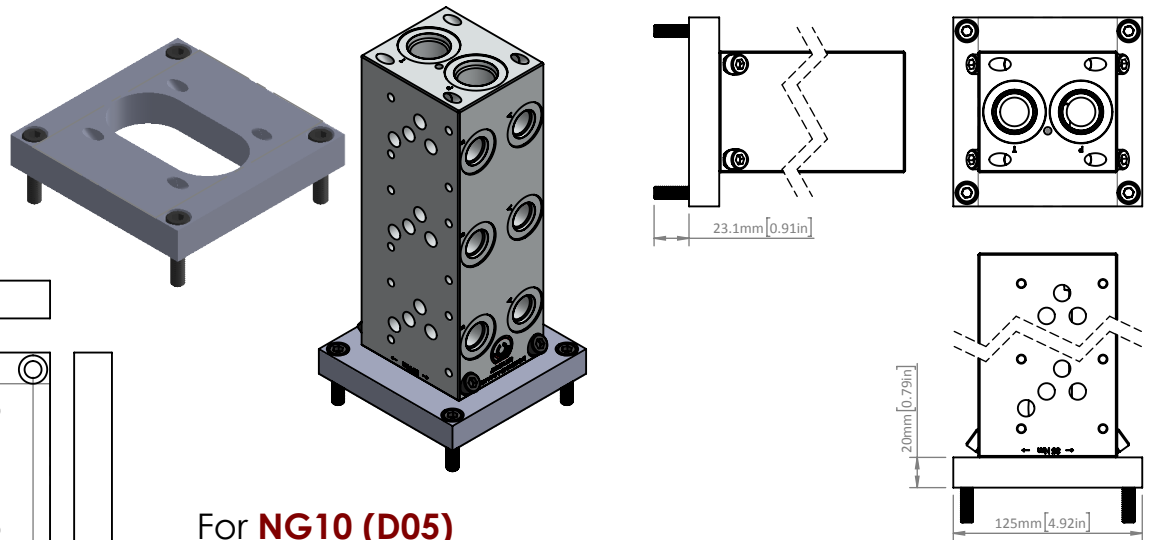
For **NG10 (D05)**  
P/N: **MTKT-NG10-001-K-01-A**

ITEM NO.	QTY.	PART NUMBER	DESCRIPTION
1	2	MTKT-NG10-001-B-xx-A	NG10 Mounting Bracket, Foot Mount
2	4	BOLT-SHC-M08x35-C-BA-12 9	M08 x 35 Long Socket Head Cap Screw
3	6	WASR-HCL-M08-2-BA	High Collar Lock Washer, M8
4	2	BOLT-SHC-M08x20-C-BA-129	M08 x 20 Long Socket Head Cap Screw



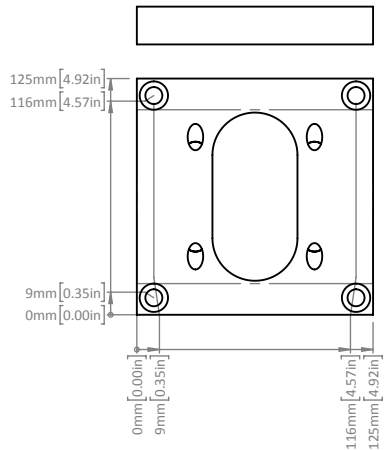
MTKT: BAR Mounting Kit

MTKT: BAR Mounting Kit



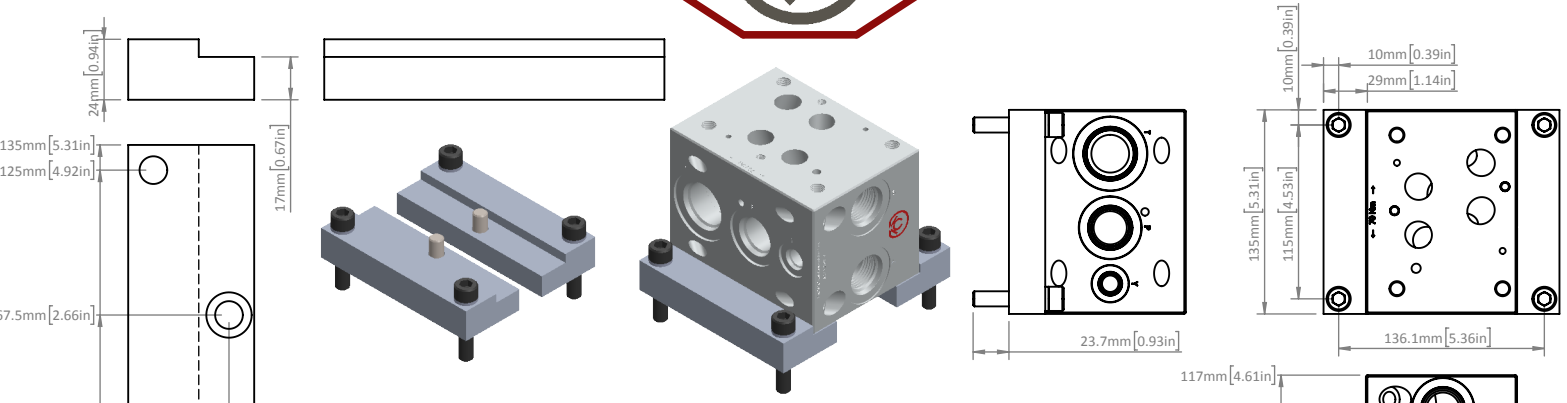
For **NG10 (D05)**  
P/N: **MTKT-NG10-002-K-01-A**

ITEM NO.	QTY.	PART NUMBER	DESCRIPTION
1	1	BAR-NG10-002-A-AA-XX-A-B	NG10 Mounting Bracket, Base Mount
2	4	WASR-HCL-M08-2-BA	High Collar Lock Washer, M8
3	4	BOLT-SHC-M08x35-C-BA-129	M8 x 35 Long Socket Head Cap Screw



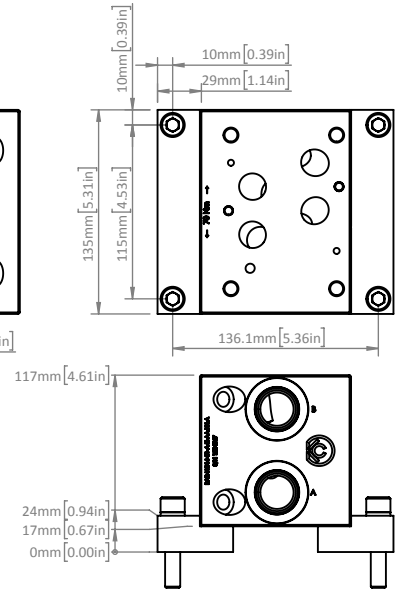
<b>MTKT-</b>	<b>NG10-</b>	<b>***-</b>	<b>K-</b>	<b>01-</b>	<b>A</b>
<ul style="list-style-type: none"> <li>Product Family-</li> </ul> <p><b>BAR Mounting Kit</b></p>	<ul style="list-style-type: none"> <li>BAR Size</li> <li><b>NG10 (D05)</b></li> </ul>	<ul style="list-style-type: none"> <li>Port Type-</li> <li><b>001:</b> Foot Mount</li> <li><b>002:</b> Base Mount</li> </ul>	<ul style="list-style-type: none"> <li>Assembly Level</li> </ul> <p><b>K:</b> Complete Kit</p>	<ul style="list-style-type: none"> <li>Hardware Modifier</li> </ul> <p><b>01:</b> Aluminum Bracket w/ Steel Bolts</p>	<ul style="list-style-type: none"> <li>Design Variant</li> </ul> <p><b>A:</b> Design A</p>

Subject to Change: CTLG-01-001A



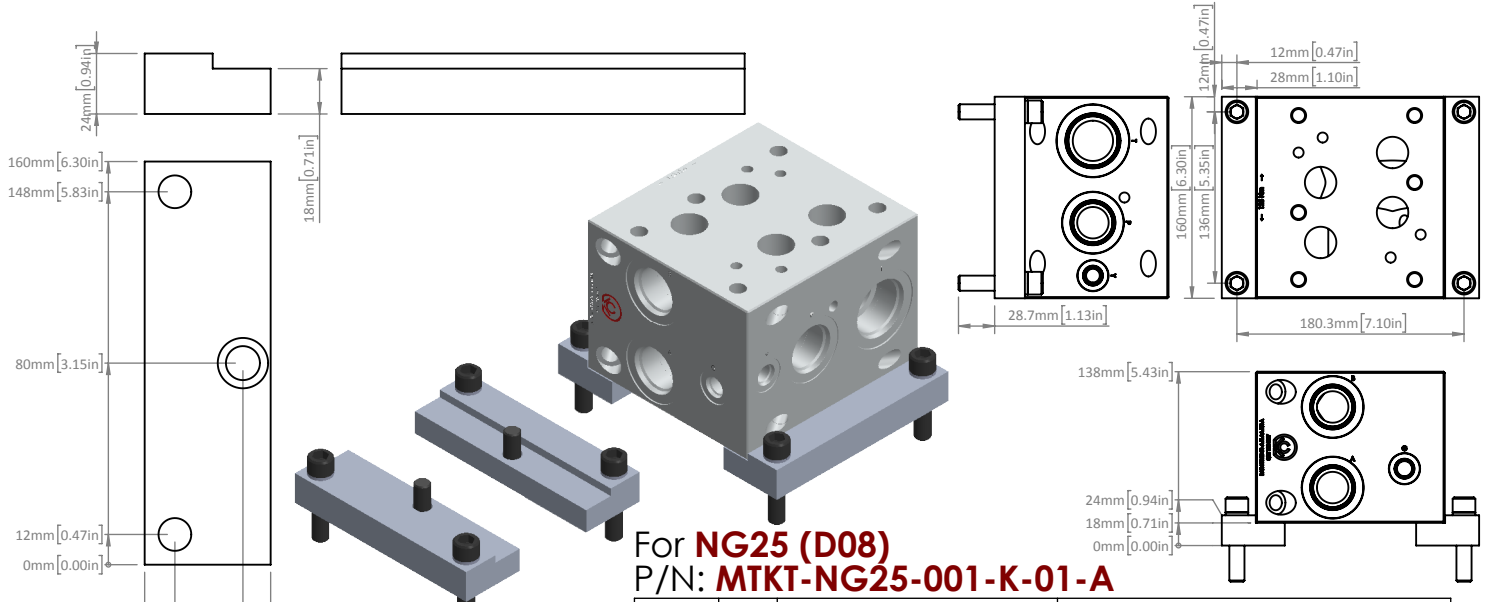
For **NG16 (D07)**  
P/N: **MTKT-NG16-001-K-01-A**

ITEM NO.	QTY.	PART NUMBER	DESCRIPTION
1	2	MTKT-NG16-001-B-xx-A	NG16 Mounting Bracket, Base Mount
2	4	BOLT-SHC-M10x50-C-BA-129	M10 x 50 Long Socket Head Cap Screw
3	2	BOLT-SHC-M10x20-C-BA-129	M10 x 20 Long Socket Head Cap Screw
4	6	WASH-HCL-M10-BA	High Collar Lock Washer, M10



MTKT: BAR Mounting Kit

MTKT: BAR Mounting Kit



For **NG25 (D08)**  
P/N: **MTKT-NG25-001-K-01-A**

ITEM NO.	QTY.	PART NUMBER	DESCRIPTION
1	2	MTKT-NG25-001-B-xx-A	NG25 Mounting Bracket, Base Mount
2	4	BOLT-SHC-M12x55-C-BA-129	M12 x 55 Long Socket Head Cap Screw
3	2	BOLT-SHC-M12x25-C-BA-129	M12 x 25 Long Socket Head Cap Screw
4	6	WASR-HCL-M12-BA	High Collar Lock Washer, M12

<b>MTKT-</b>	<b>****_</b>	<b>001-</b>	<b>K-</b>	<b>01-</b>	<b>A</b>
<ul style="list-style-type: none"> <li>Product Family-</li> </ul> <p><b>BAR MounTing Kit</b></p>	<ul style="list-style-type: none"> <li>BAR Size</li> </ul> <ul style="list-style-type: none"> <li><b>NG16</b> (D07)</li> <li><b>NG25</b> (D08)</li> </ul>	<ul style="list-style-type: none"> <li>Port Type-</li> </ul> <ul style="list-style-type: none"> <li><b>001:</b> Foot Mount</li> </ul>	<ul style="list-style-type: none"> <li>Assembly Level</li> </ul> <ul style="list-style-type: none"> <li><b>K:</b> Complete Kit</li> </ul>	<ul style="list-style-type: none"> <li>Hardware Modifier</li> </ul> <ul style="list-style-type: none"> <li><b>01:</b> Aluminum Bracket w/ Steel Bolts</li> </ul>	<ul style="list-style-type: none"> <li>Design Variant</li> </ul> <ul style="list-style-type: none"> <li><b>A:</b> Design A</li> </ul>

Subject to Change: CTLG-01-001A