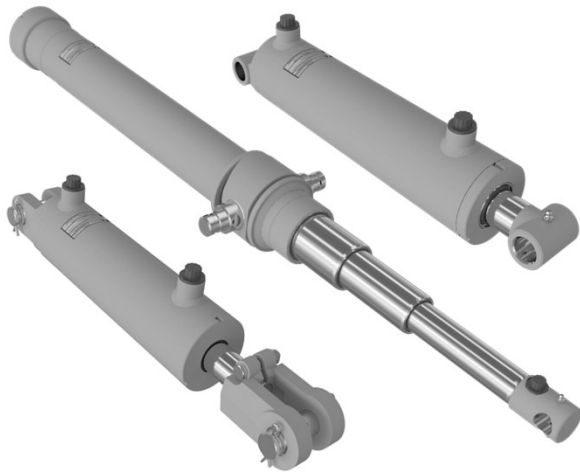




“Douglas Hydraulics Canada”



One Stop Solution

By

Chris Douglas

May 16th, 2023





Douglas Hydraulics Factory



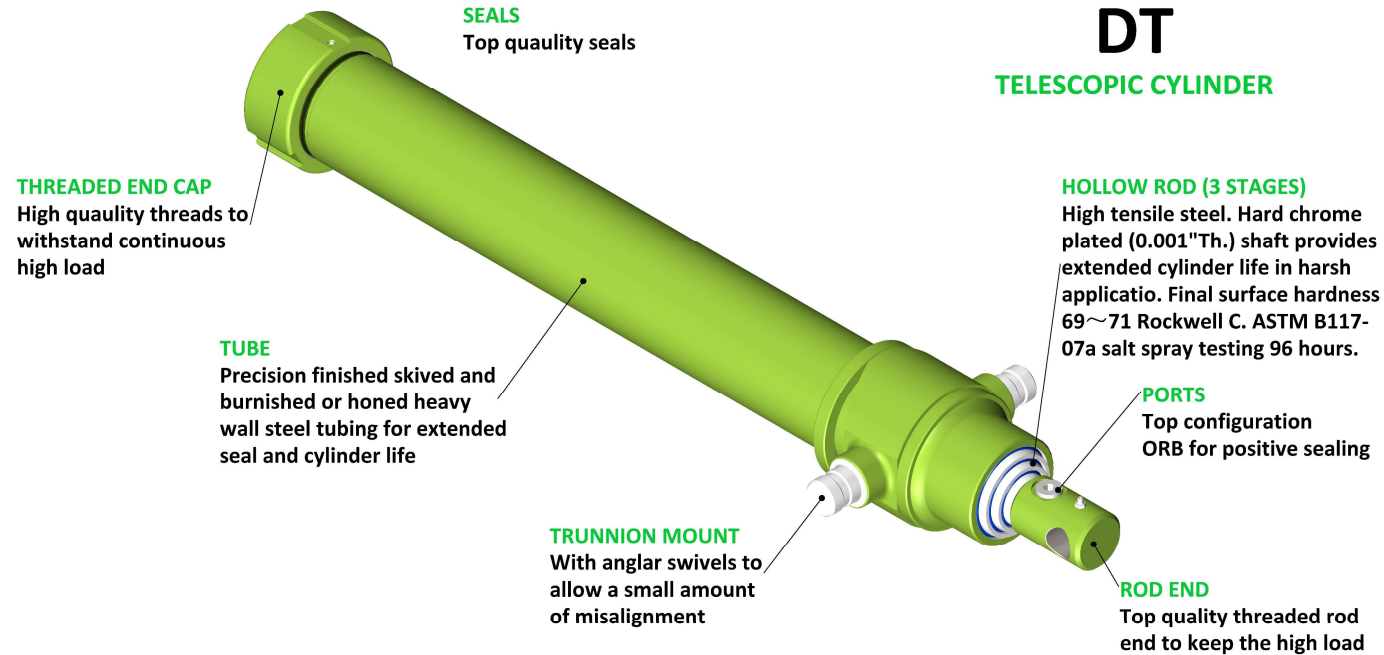
Chris Douglas
President &
Owner Douglas
Hydraulic
Manufacturing
Inc. Canada



Hydraulic Cylinder Manufacturing

Telescopic Cylinders

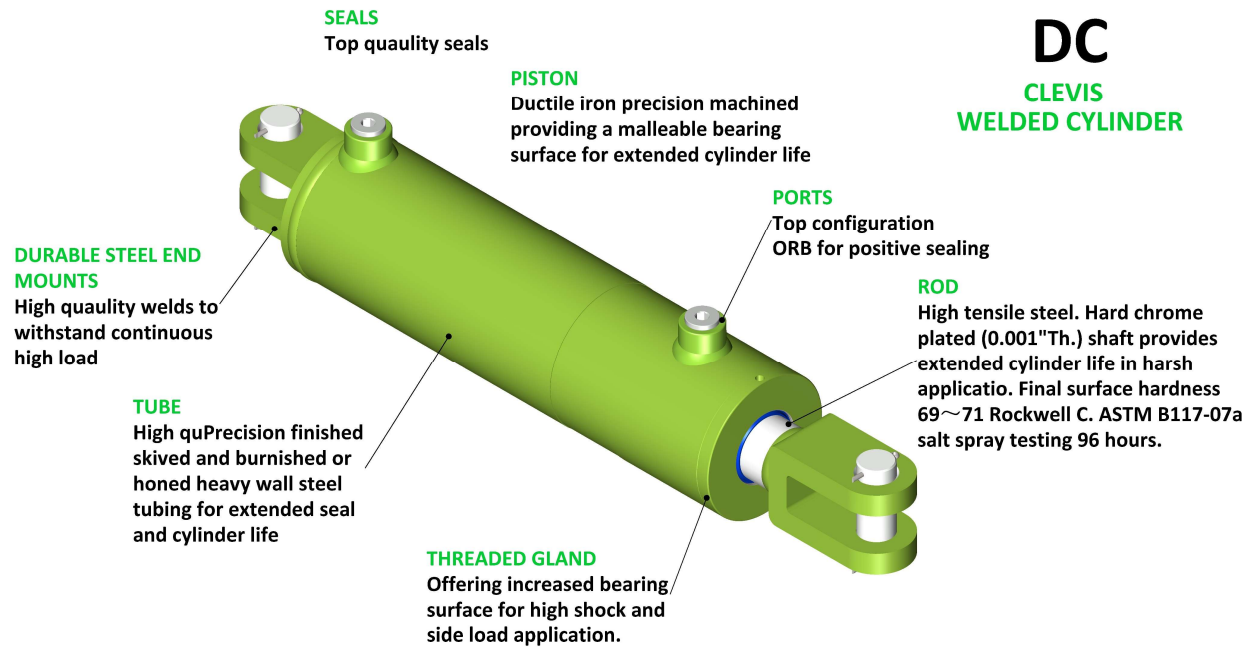
- Single Acting multi stage
- Great for dump trailer & landscape truck applications
- 7 Ton & 12 Ton applications
- Multi configurations for different capacities
- Completely customizable to your requirements
- 100% pressure tested
- Engineered in USA, FEA design analysis completed with American based engineer



Hydraulic Cylinder Manufacturing

Welded Rod Cylinders

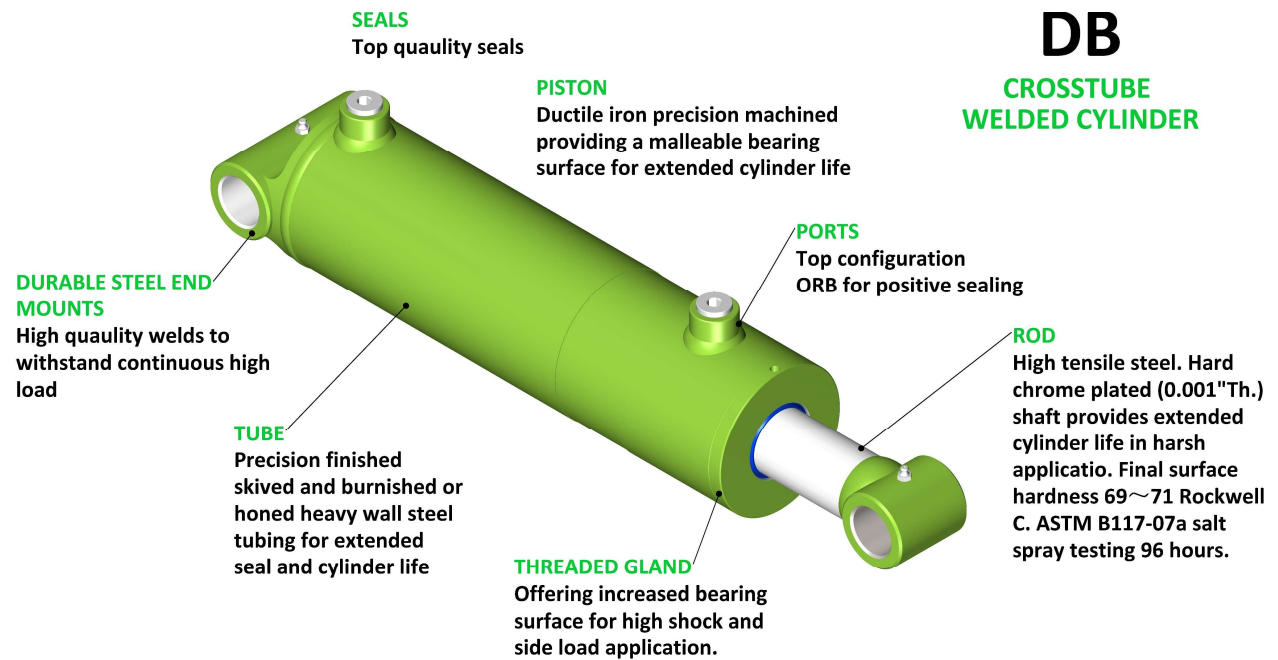
- Clevis mount
- Multi configurations for different capacities
- Completely customizable to your requirements
- Engineered in USA



Hydraulic Cylinder Manufacturing

Welded Rod Cylinders

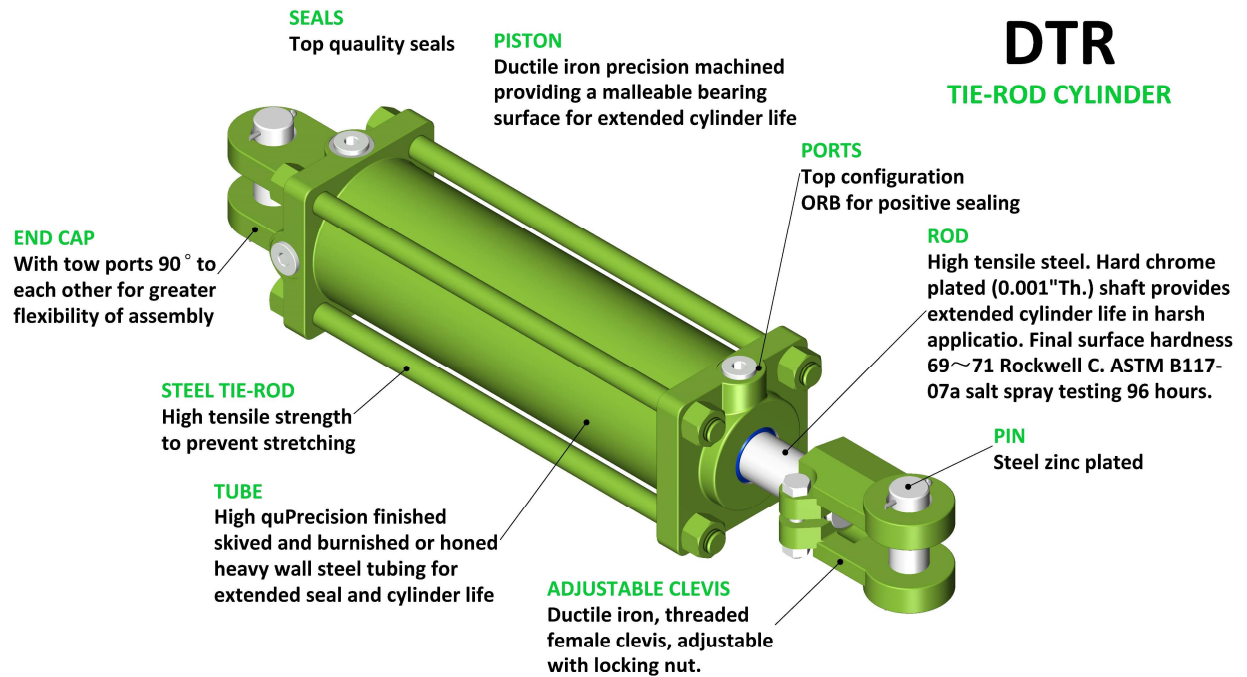
- Bushing or pin eye mounts
- Completely customizable to your requirements
- 100% pressure tested
- Engineered in USA



Hydraulic Cylinder Manufacturing

Tie Rod Cylinders

- Multi configurations for different capacities
- 2500 & 3000 PSI models
- Completely customizable to your requirements
- 100% pressure tested
- Engineered in USA



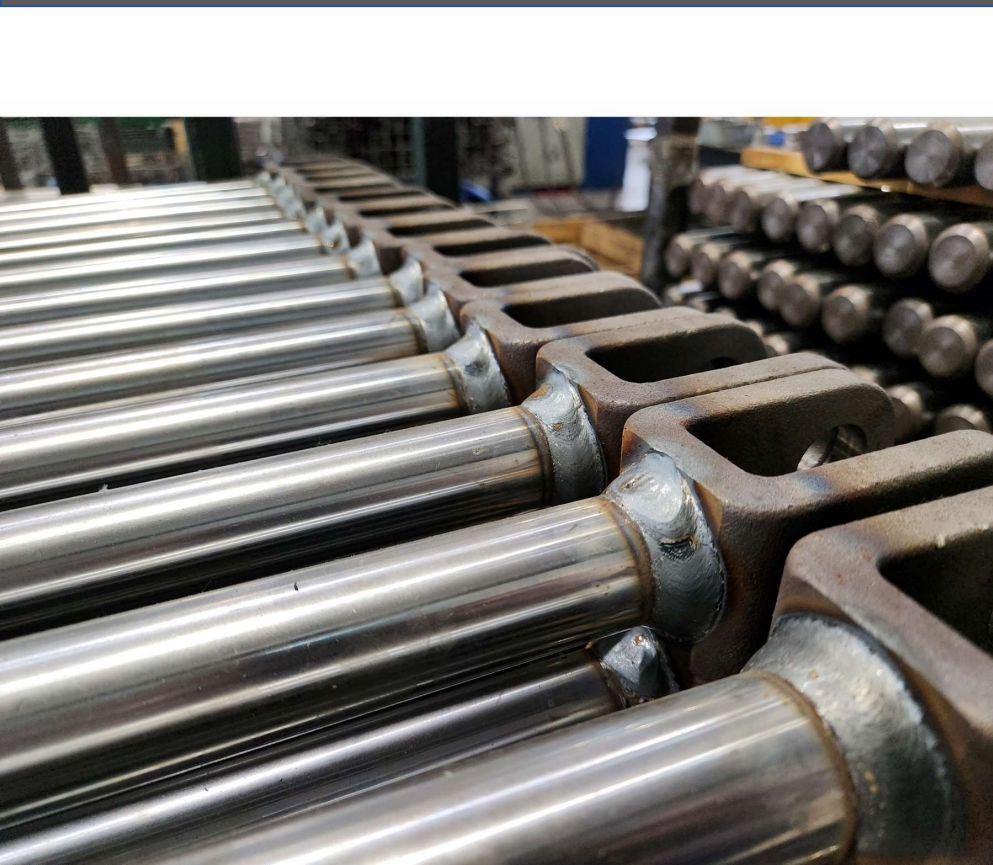
Quality Assurance - Consistent, Reliable Quality

- Automatic, repeatable welding
- Digital pulse arc welds
- OTC Controllers
- Industry best quality





Quality Assurance - Consistent, Reliable Quality



Quality Assurance

100% Tested & Quality Assured

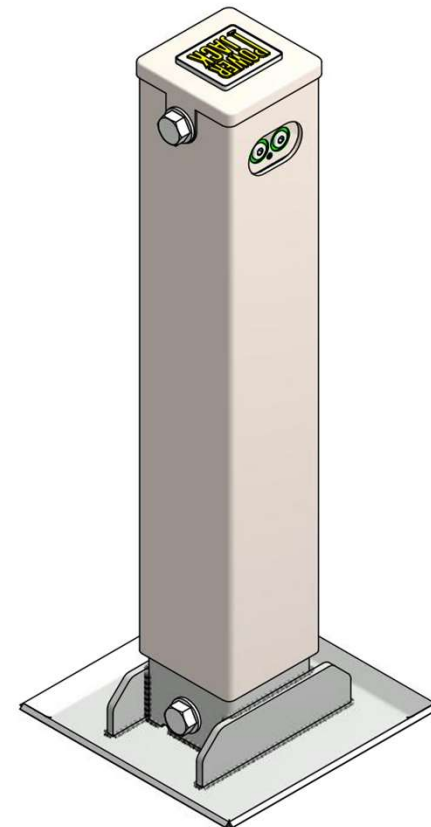
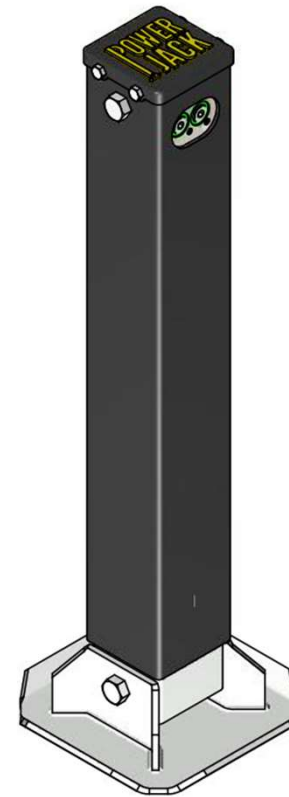
- We pressure test every cylinder
- We provide leak free hydraulics
- North American sourced seals
- Integral & consistent welds
- Quality Assured
- On site service



Hydraulic Jack Manufacturing

Hydraulic Jacks

- Multi configurations for different applications
- Single, dual applications for dumps and goosenecks
- 12k, 14k, 16k round or square column
- Dual counterbalance valves for safety and reliability
- Welded mount bracket can be added to any design
- Zinc Plated foot offers corrosion resistance
- Zinc plated inner leg for visual appeal
- Powder painted or unpainted outer sleeve
- Customized top cap, private label optional
- Completely customizable to your requirements
- Engineered in Canada, FEA design analysis completed with American based engineer



Hydraulic Jacks



Pump In The Box



Pump In The Box Benefits

- From manufacturer to door offers direct bolt on solution
- “Creates One Stop Shopping”
- To client: 1 part number
- Less supplier sourced part numbers & items to manage
- Saves the client procurement time
- Very little competition in America with this solution
- Pump in the Box is Completely customizable
- Complementary to XXXXXXXX kit packages



Pump In The Box



Optional Tool Box Types

- **Complete flexibility**
- **Standard metal, black power paint**
7 ton telescopic, scissor hoist and rod cylinder dumps
- **Aluminum diamond plate short**
Canadian spec - 7 Ton Telescopic pumps
Molded bolt on battery tray
- **Aluminum diamond plate tall**
Canadian spec - 12 Ton Telescopic pumps
Molded bolt on battery tray
- **Black powder painted aluminum diamond plate option**
- Front or side mounted stainless steel lockable latch
- Premium gas strut
- **Molded polymer box with lockable latch**

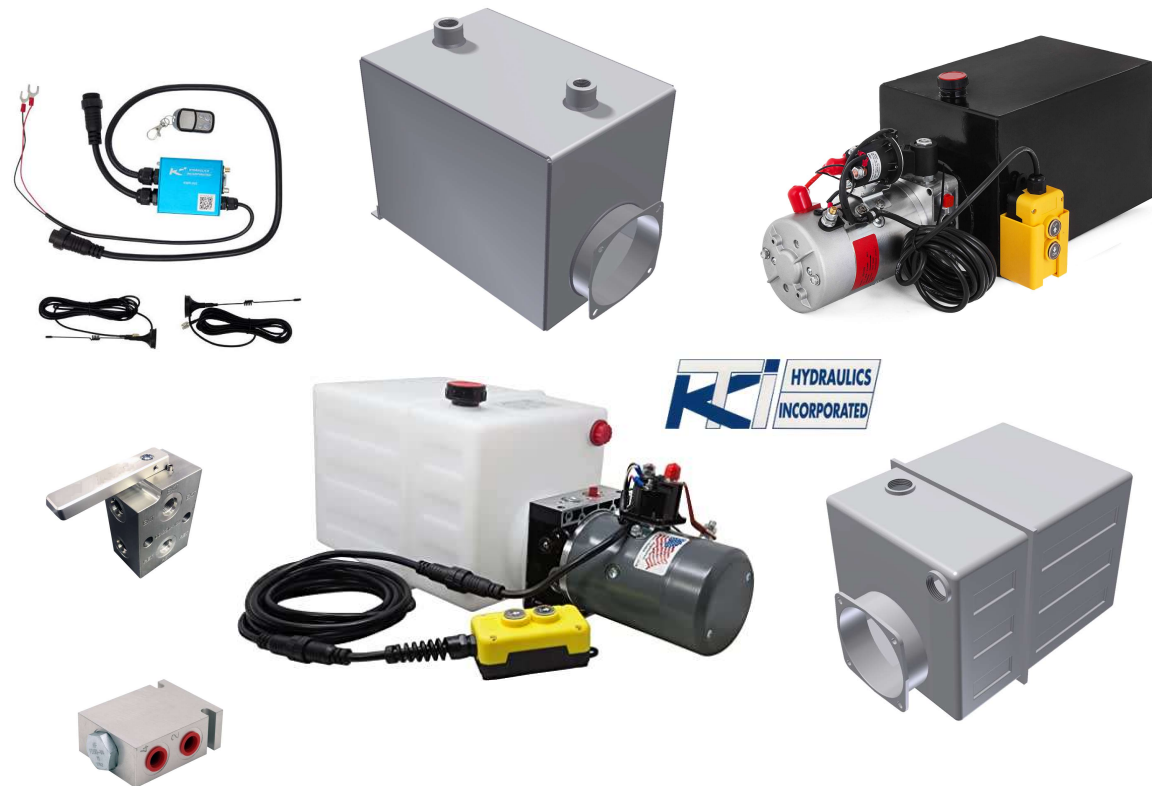


Pump In The Box



12 Volt Hydraulic Power Unit “Pump”

- Multi configurable per application requirements
- Polymer tank in various quarts or gallonage
- Metal tank in various quarts or gallonage
- Single acting for telescopic dumps
- Double acting for scissor dumps
- Double single for incorporation of hydraulic jack
- Optional flow divider and patch kits
- Molded manifold for ease of circuitry and flow
- Optional solenoids to meet weather and duty cycle
- Optional Bluetooth wireless module
- Multi button multi functional wired remote
- **Designed in the USA**



Pump In The Box



Tool Box Accessories

- Standard toolbox includes designated power unit
- Power unit can be KTI branded or no name alternative
- Battery cables pos & neg
- Hydraulic line from the pump to cylinder
- Bulkhead adaptor

Optional Items:

- Manual kill switch to cut battery power from the pump while transporting the trailer
- Battery Charger 5, 8 or 18 amp based on client spec.
- Pulse Tech Solar Panel battery charger
- Road Charger – Heavy Duty
- Wireless Bluetooth remote
- 12 Volt Interstate Battery
- Private labelled for xxxxxxxxxxxx

**COMPLETELY
CUSTOMIZABLE TO MEET
YOUR REQUIREMENTS**



Pump In The Box Assembly



PRIVATE LABEL

Fabricated Metal Components

Fabricated Components

- Multi configurations
- Completely customizable to your requirements
- Telescopic Cylinder Mounts
- Body Props
- Hinges
- Mount Pins
- Collars
- Brackets
- Foot Pads
- Jack Caps with 3D private label
- Toolboxes – metal & diamond plate aluminum



Hydraulic Scissor Hoist

Scissor Hoist

- Multi configurations for different capacities
- Completely customizable to your requirements
- Engineered in USA, FEA design analysis completed with American based engineer
- Supplied powder painted, no cylinder
- Supplied powder painted with cylinder installed
- Supplied with or without mounting pins
- From 3x10 hoist up to 630



Volume Manufacturing



- Product in stock, ready to ship
- Reduced lead time
- Local supply
- On site service



Thank You!

