

# Custom

# Fittings Ltd

CFI05D 2005

[www.customfittings.com](http://www.customfittings.com)

JIC 37° Flare and Pipe Adapter  
SAE.J514 in 316 Stainless Steel

- Majority of fittings shown are available ex-stock. For more information please contact us.
- Elbows, Tees and Crosses are manufactured from plate per ASTM.240.316/316L or BS. 1501.316/316L and F18.
- Entire range machined within our own works on CNC machine.
- Control of material ensures Mill Certificates can be provided for all fittings.
- If the combination of fittings you require is not shown please contact us for more information.

**Custom Fittings Ltd**



MATERIAL	
1 1/2" x 3/8"	PLATE BAR
ASTM.A240. 316L	
MACHINE	
SMOOTH	M/C
ALLOWEE	
TITLE	
1/2" - 20 JIC	
UNION	ELB

REMOVE ALL SHARP CORNERS

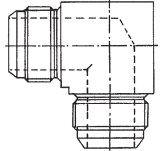
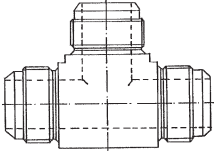
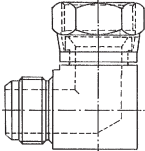
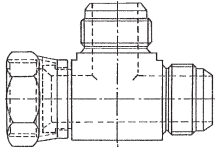
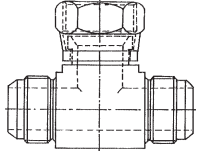
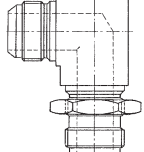
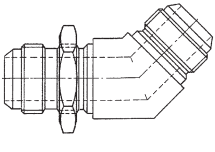
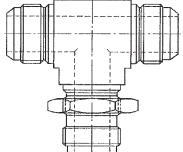
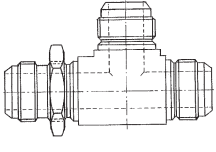
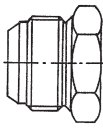
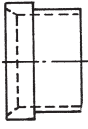
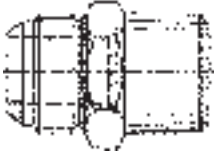
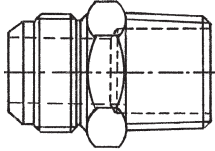
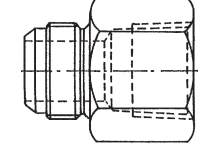
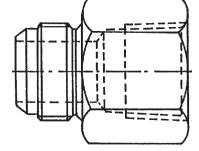
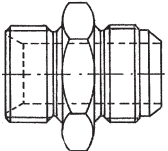
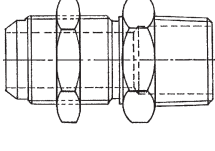
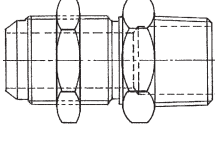
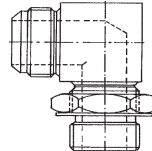
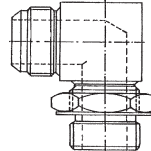
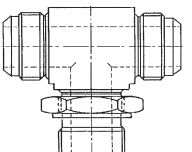
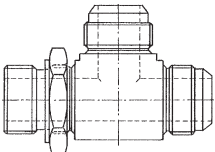
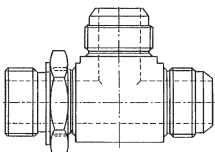
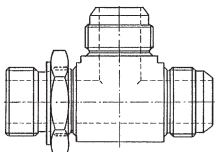
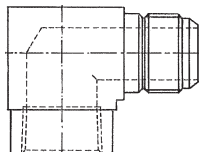
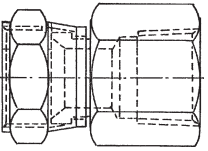
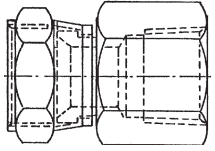
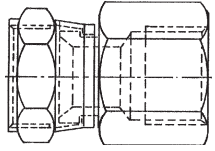
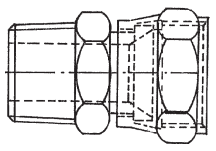
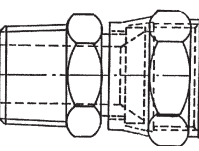
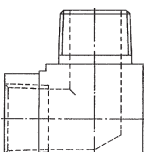
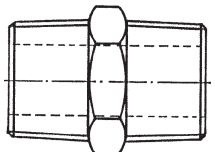
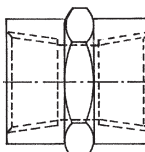
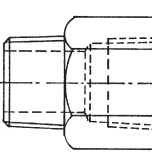
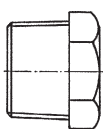
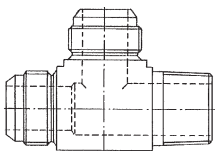
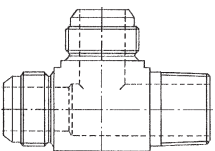
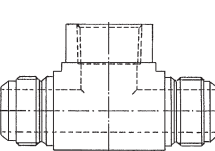
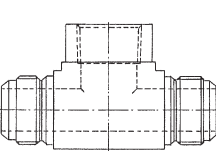
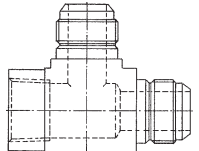
ENLARGED OF THREAD OUT  
OF TOOL MARKS  
CLASS 2 LINE OR BETTER

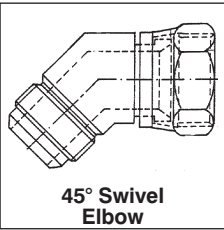
## J.I.C. 37° FLARE FITTINGS IN 316 STAINLESS STEEL



## **JIC 37° Flare and Pipe Adaptor Fittings to SAE.J514 in 316 Stainless Steel**

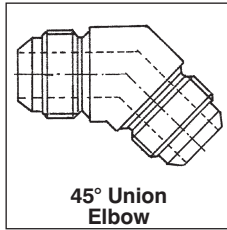
- Majority of fittings shown are available ex-stock. For actual range see our comprehensive price list.
- Elbows, Tees and Crosses are manufactured from prime plate conforming to specifications ASTM.240.316/316L or BS.1501.316/316L and F.182.316L.
- Entire range machined within our own works on CNC machine tools to ensure utmost accuracy and finish.
- Control of material ensures Mill Certificates can be issued for all items in accordance with our BS EN ISO 9001: Part 2 procedures.
- If the combination of fittings you require is not shown please advise, when we will quote you immediately.

 <b>90° Union Elbow</b> UE-500 - Page 4	 <b>Union Tee</b> UT-500 - Page 4	 <b>90° Swivel Elbow</b> SE-500 - Page 5	 <b>Swivel Run Tee</b> SRT-500 - Page 5	 <b>Swivel Branch Tee</b> SBT-500 - Page 6
 <b>90° Bulkhead Elbow</b> UEB-500 - Page 9	 <b>45° Bulkhead Elbow</b> UEFB-500 - Page 10	 <b>Bulkhead Branch Tee</b> UTBB-500 - Page 10	 <b>Bulkhead Run Tee</b> UTBR-500 - Page 11	 <b>JIC Plug</b> UP-500 - Page 11
 <b>Tube Sleeve Metric</b> SM-500 - Page 15	 <b>Male Connector NPT'F'</b> UC-5NT - Page 16	 <b>Male Connector BSP'T'</b> UC-5BT - Page 17	 <b>Female Connector NPT'F'</b> UFC-5NT - Page 18	 <b>Female Connector BSP'T'</b> UFC-5BT - Page 18
 <b>Straight Connector BSP'P' (CS)</b> UCC-5BP - Page 23	 <b>Male Bulkhead NPT'F'</b> UBM-5NT - Page 24	 <b>Male Bulkhead BSP'T'</b> UBM-5BT - Page 24	 <b>90° Position Elbow SAE</b> UPE-5SA - Page 25	 <b>90° Position Elbow BSP'P'</b> UPE-5BP - Page 26
 <b>Position Branch Tee Metric</b> UPBT-5M - Page 30	 <b>Position Run Tee SAE</b> UPRT-5SA - Page 30	 <b>Position Run Tee BSP'P'</b> UPRT-5BP - Page 31	 <b>Position Run Tee Metric</b> UPRT-5M - Page 31	 <b>90° Female Elbow NPT'F'</b> UFE-5NT - Page 32
 <b>Female(S)/Female(F) Connector NPT'F'</b> FSFF-5NT - Page 36	 <b>Female(S)/Female(F) Connector BSP'T'</b> FSFF-5BT - Page 36	 <b>Female(S)/Female(F) Connector BSP'P'</b> FSFF-5BP - Page 37	 <b>Female Swivel Connector NPT'F'</b> FST-5NT - Page 37	 <b>Female Swivel Connector BSP'T'</b> FST-5BT - Page 38
 <b>90° Male Female Elbow</b> MFE-5NT - Page 41	 <b>Hex Nipple</b> HN-300 - Page 42	 <b>Coupling</b> C-5NT - Page 42	 <b>Female/Male Connector</b> FM-300 - Page 43	 <b>Hex Plug</b> HP-300 - Page 43
 <b>Male Run Tee NPT'F'</b> UTMR-5NT - Page 48	 <b>Male Run Tee BSP'T'</b> UTMR-5BT - Page 48	 <b>Female Branch Tee NPT'F'</b> UTFB-5NT - Page 49	 <b>Female Branch Tee BSP'T'</b> UTFB-5BT - Page 49	 <b>Female Run Tee NPT'F'</b> UTFR-5NT - Page 50



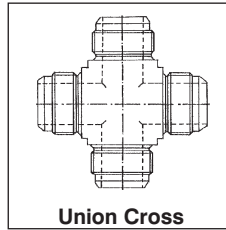
**45° Swivel Elbow**

SEF-500 - Page 6



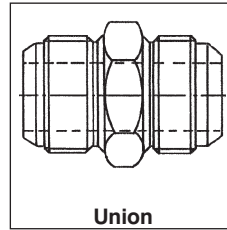
**45° Union Elbow**

UEF-500 - Page 7



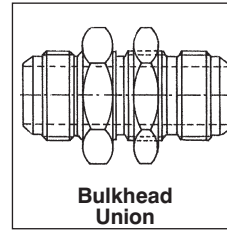
**Union Cross**

UCR-500 - Page 7



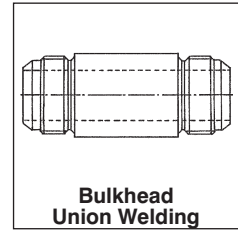
**Union**

U-500 - Page 8



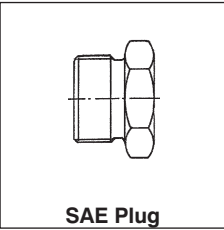
**Bulkhead Union**

UB-500 - Page 8



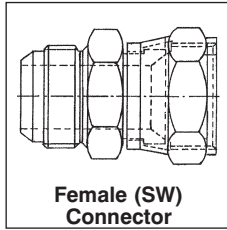
**Bulkhead Union Welding**

UBW-500 - Page 9



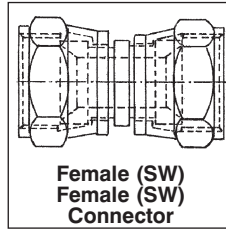
**SAE Plug**

SP-500 - Page 12



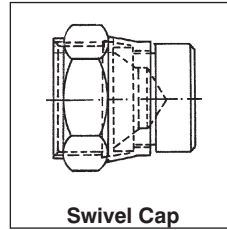
**Female (SW) Connector**

UFS-500 - Page 12



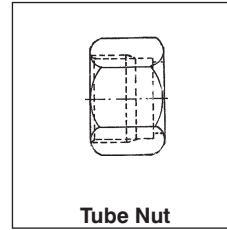
**Female (SW) Female (SW) Connector**

FFS-500 - Page 13



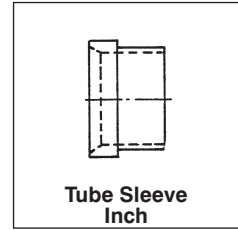
**Swivel Cap**

SC-500 - Page 13



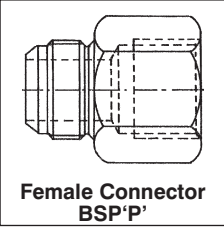
**Tube Nut**

N-500 - Page 14



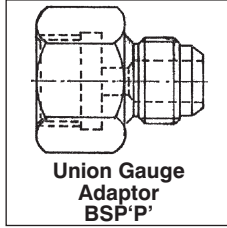
**Tube Sleeve Inch**

SI-500 - Page 14



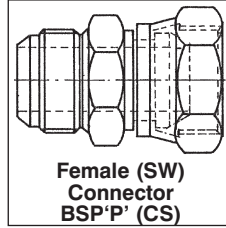
**Female Connector BSP'P'**

UFC-5BP - Page 19



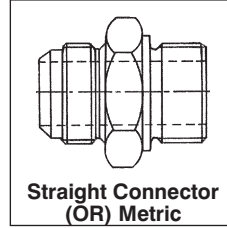
**Union Gauge Adaptor BSP'P'**

UGA-5BP - Page 19



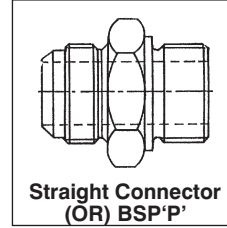
**Female (SW) Connector BSP'P' (CS)**

UFSC-5BP - Page 20



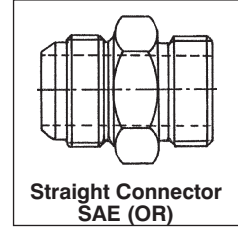
**Straight Connector (OR) Metric**

UCO-5M - Page 20



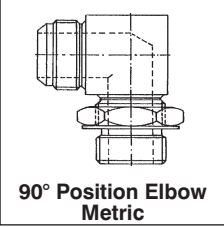
**Straight Connector (OR) BSP'P'**

UCO-5BP - Page 21



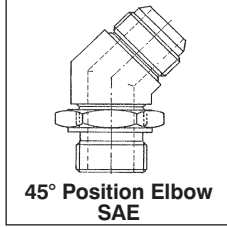
**Straight Connector SAE (OR)**

UCO-5SA - Page 22



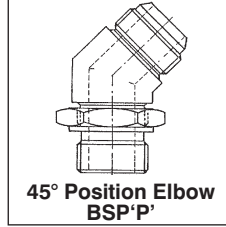
**90° Position Elbow Metric**

UPE-5M - Page 27



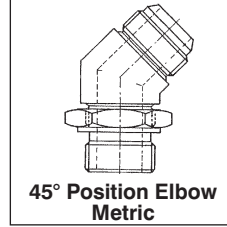
**45° Position Elbow SAE**

UPEF-5SA - Page 27



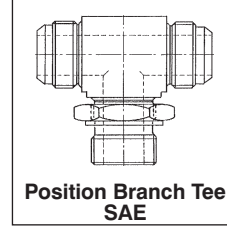
**45° Position Elbow BSP'P'**

UPEF-5BP - Page 28



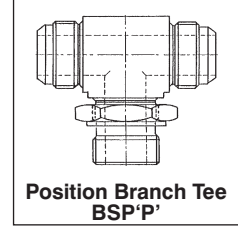
**45° Position Elbow Metric**

UPEF-5M - Page 28



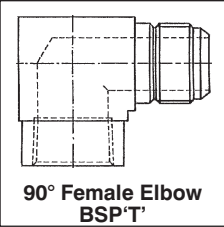
**Position Branch Tee SAE**

UPBT-5SA - Page 29



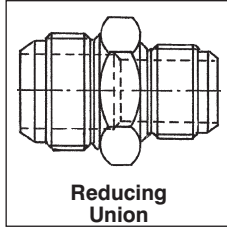
**Position Branch Tee BSP'P'**

UPBT-5BP - Page 29



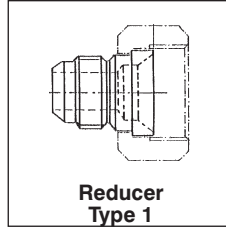
**90° Female Elbow BSP'T'**

UFE-5BT - Page 32



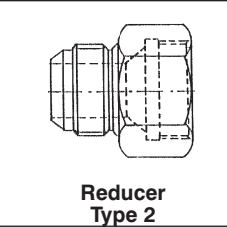
**Reducing Union**

UR-500 - Page 33

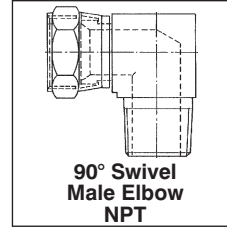


**Reducer Type 1**

TR-500 - Page 34

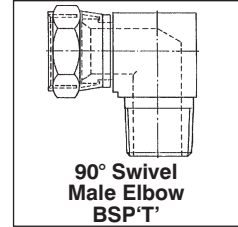


**Reducer Type 2**



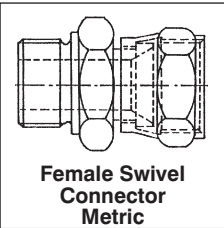
**90° Swivel Male Elbow NPT**

SEM-5NT - Page 35



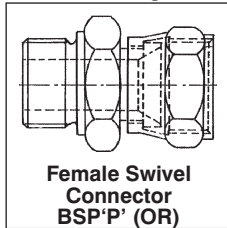
**90° Swivel Male Elbow BSP'T'**

SEM 5BT - Page 35



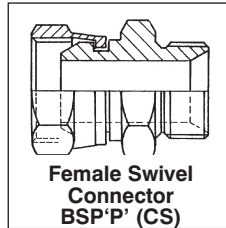
**Female Swivel Connector Metric**

FSO-5M - Page 38



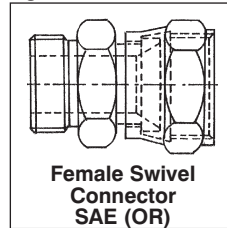
**Female Swivel Connector BSP'P' (OR)**

FSO-5BP - Page 39



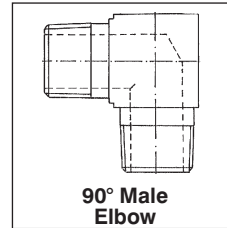
**Female Swivel Connector BSP'P' (CS)**

FSC-5BP - Page 39



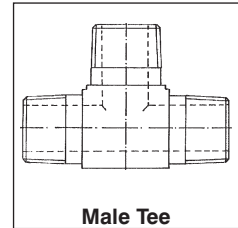
**Female Swivel Connector SAE (OR)**

FSO-5SA - Page 40



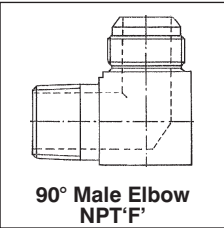
**90° Male Elbow**

ME-5NT - Page 40



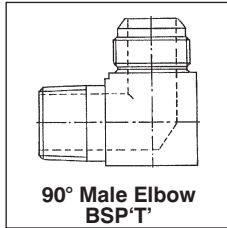
**Male Tee**

MT-5NT - Page 41



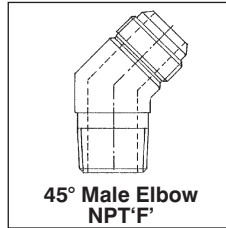
**90° Male Elbow NPT'F'**

UME-5NT - Page 44



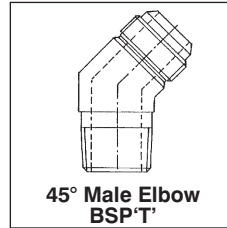
**90° Male Elbow BSP'T'**

UME-5BT - Page 45



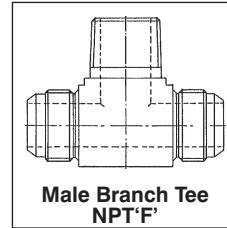
**45° Male Elbow NPT'F'**

UMEF-5NT - Page 46



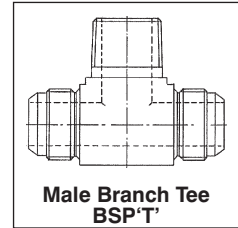
**45° Male Elbow BSP'T'**

UMEF-5BT - Page 46



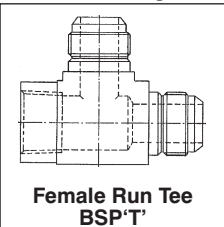
**Male Branch Tee NPT'F'**

UTMB-5NT - Page 47



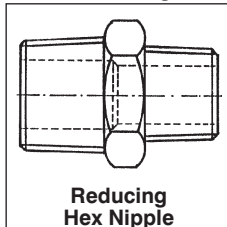
**Male Branch Tee BSP'T'**

UTMB-5BT - Page 47



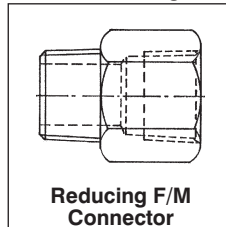
**Female Run Tee BSP'T'**

UTFR-5BT - Page 50



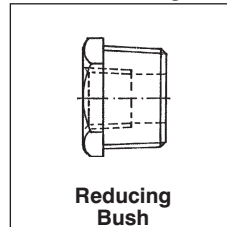
**Reducing Hex Nipple**

RN-300 - Page 51



**Reducing F/M Connector**

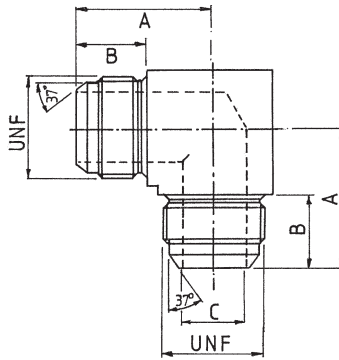
FM-300 - Page 52



**Reducing Bush**

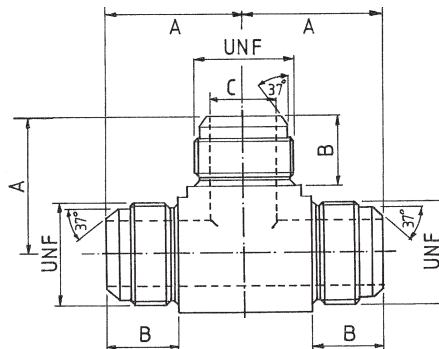
RB-300 - Page 53

# JIC 37° FLARE UNION 90° ELBOW



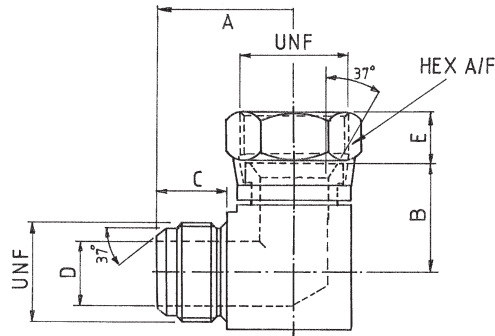
Part No.	TUBE OD INCH	TUBE OD MM	THREAD SIZE UNF	A	B	C
UE-500-4	1/4"	6	7/16"-20	23.4	14.4	4.3
UE-500-5	5/16"	8	1/2"-20	24.9	14.4	5.2
UE-500-6	3/8"	10	9/16"-18	27.7	14.5	7.5
UE-500-8	1/2"	12	3/4"-16	32.5	17.7	9.9
UE-500-10	5/8"	14/15/16	7/8"-14	37.6	19.6	12.3
UE-500-12	3/4"	18/20	1 1/16"-12	42.9	22.4	15.5
UE-500-16	1"	25	1 5/16"-12	46.7	23.5	21.4
UE-500-20	1 1/4"	30/32	1 5/8"-12	53.8	24.7	27.4
UE-500-24	1 1/2"	38	1 7/8"-12	59.9	27.9	33.3

# JIC 37° FLARE UNION TEE



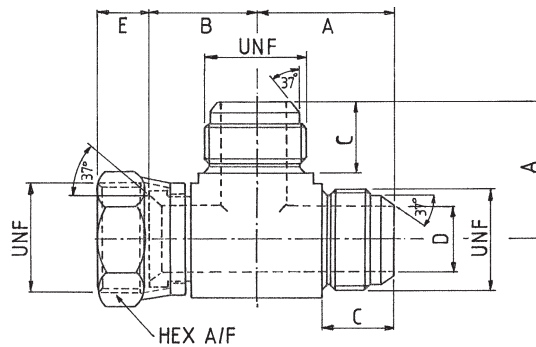
Part No.	TUBE OD INCH	TUBE OD MM	THREAD SIZE UNF	A	B	C
UT-500-4	1/4"	6	7/16"-20	23.4	14.4	4.3
UT-500-5	5/16"	8	1/2"-20	24.9	14.4	5.2
UT-500-6	3/8"	10	9/16"-18	27.7	14.5	7.5
UT-500-8	1/2"	12	3/4"-16	32.5	17.7	9.9
UT-500-10	5/8"	14/15/16	7/8"-14	37.6	19.6	12.3
UT-500-12	3/4"	18/20	1 1/16"-12	42.9	22.4	15.5
UT-500-16	1"	25	1 5/16"-12	46.7	23.5	21.4
UT-500-20	1 1/4"	30/32	1 5/8"-12	53.8	24.7	27.4
UT-500-24	1 1/2"	38	1 7/8"-12	59.9	27.9	33.3

# JIC 37° FLARE 90° SWIVEL NUT ELBOW



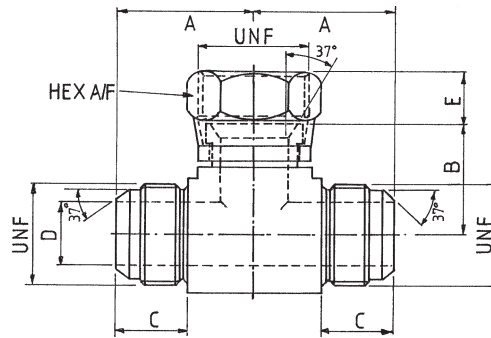
Part No.	TUBE OD INCH	TUBE OD MM	THREAD SIZE UNF	A	B	C	D	E	HEX
SE-500-4	1/4"	6	7/16"-20	23.4	17.4	14.4	4.3	9.8	15.9
SE-500-5	5/16"	8	1/2"-20	24.9	22.1	14.4	5.2	8.5	18.1
SE-500-6	3/8"	10	9/16"-18	27.7	23.5	14.5	7.5	9.4	18.1
SE-500-8	1/2"	12	3/4"-16	32.5	25.8	17.7	9.9	10.7	23.4
SE-500-10	5/8"	14/15/16	7/8"-14	37.6	29.1	19.6	12.3	13.7	28.6
SE-500-12	3/4"	18/20	1 1/16"-12	42.9	31.5	22.4	15.5	14.2	31.7
SE-500-16	1"	25	1 5/16"-12	46.7	36.6	23.5	21.4	16.4	38.1
SE-500-20	1 1/4"	30/32	1 5/8"-12	53.8	44.4	24.7	27.4	15.9	50.8
SE-500-24	1 1/2"	38	1 7/8"-12	59.9	46.6	27.9	33.3	20.1	56.4

# JIC 37° FLARE SWIVEL RUN TEE



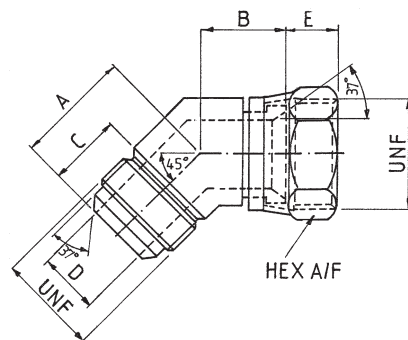
Part No.	TUBE OD INCH	TUBE OD MM	THREAD SIZE UNF	A	B	C	D	E	HEX
SRT-500-4	1/4"	6	7/16"-20	23.4	17.4	14.4	4.3	9.8	15.9
SRT-500-5	5/16"	8	1/2"-20	24.9	22.1	14.4	5.2	8.5	18.1
SRT-500-6	3/8"	10	9/16"-18	27.7	23.5	14.5	7.5	9.4	18.1
SRT-500-8	1/2"	12	3/4"-16	32.5	25.8	17.7	9.9	10.7	23.4
SRT-500-10	5/8"	14/15/16	7/8"-14	37.6	29.1	19.6	12.3	13.7	28.6
SRT-500-12	3/4"	18/20	1 1/16"-12	42.9	31.5	22.4	15.5	14.2	31.7
SRT-500-16	1"	25	1 5/16"-12	46.7	36.6	23.5	21.4	16.4	38.1
SRT-500-20	1 1/4"	30/32	1 5/8"-12	53.8	44.4	24.7	27.4	15.9	50.8
SRT-500-24	1 1/2"	38	1 7/8"-12	59.9	46.6	27.9	33.3	20.1	56.4

# JIC 37° FLARE SWIVEL BRANCH TEE



Part No.	TUBE OD INCH	TUBE OD MM	THREAD SIZE UNF	A	B	C	D	E	HEX
SBT-500-4	1/4"	6	7/16"-20	23.4	17.4	14.4	4.3	9.8	15.9
SBT-500-5	5/16"	8	1/2"-20	24.9	22.1	14.4	5.2	8.5	18.1
SBT-500-6	3/8"	10	9/16"-18	27.7	23.5	14.5	7.5	9.4	18.1
SBT-500-8	1/2"	12	3/4"-16	32.5	25.8	17.7	9.9	10.7	23.4
SBT-500-10	5/8"	14/15/16	7/8"-14	37.6	29.1	19.6	12.3	13.7	28.6
SBT-500-12	3/4"	18/20	1 1/16"-12	42.9	31.5	22.4	15.5	14.2	31.7
SBT-500-16	1"	25	1 5/16"-12	46.7	36.6	23.5	21.4	16.4	38.1
SBT-500-20	1 1/4"	30/32	1 5/8"-12	53.8	44.4	24.7	27.4	15.9	50.8
SBT-500-24	1 1/2"	38	1 7/8"-12	59.9	46.6	27.9	33.3	20.1	56.4

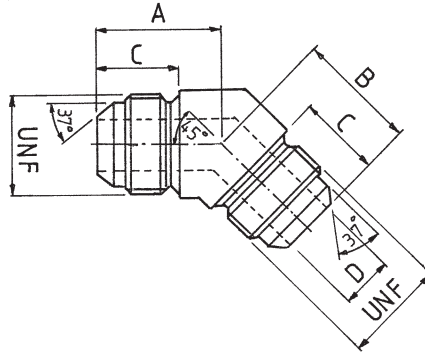
# JIC 37° FLARE SWIVEL NUT 45° ELBOW



Part No.	TUBE OD INCH	TUBE OD MM	THREAD SIZE UNF	A	B	C	D	E	HEX
SEF-500-4	1/4"	6	7/16"-20	18.3	23.9	14.4	4.3	9.8	15.9
SEF-500-5	5/16"	8	1/2"-20	19.6	25.4	14.4	5.2	8.5	18.1
SEF-500-6	3/8"	10	9/16"-18	21.1	28.4	14.5	7.5	9.4	18.1
SEF-500-8	1/2"	12	3/4"-16	24.9	32.5	17.7	9.9	10.7	23.4
SEF-500-10	5/8"	14/15/16	7/8"-14	28.2	36.6	19.6	12.3	13.7	28.6
SEF-500-12	3/4"	18/20	1 1/16"-12	32.5	38.1	22.4	15.5	14.2	31.7
SEF-500-16	1"	25	1 5/16"-12	37.3	44.4	23.5	21.4	16.4	38.1
SEF-500-20	1 1/4"	30/32	1 5/8"-12	40.4	51.6	24.7	27.4	15.9	50.8
SEF-500-24	1 1/2"	38	1 7/8"-12	45.2	57.2	27.9	33.3	20.1	56.4

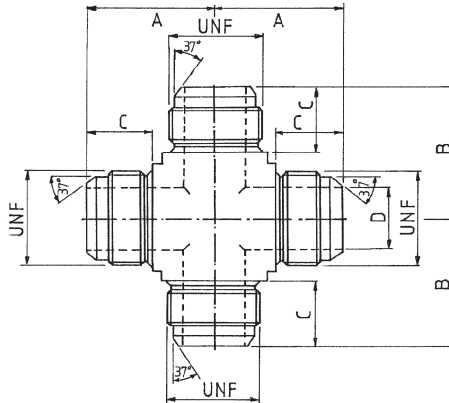


# JIC 37° FLARE UNION 45° ELBOW



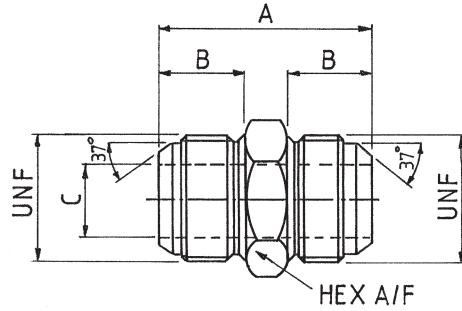
Part No.	TUBE OD INCH	TUBE OD MM	THREAD SIZE UNF	A	B	C	D
UEF-500-4	1/4"	6	7/16"-20	18.3	18.3	14.4	4.3
UEF-500-5	5/16"	8	1/2"-20	19.6	19.6	14.4	5.2
UEF-500-6	3/8"	10	9/16"-18	21.1	21.1	14.5	7.5
UEF-500-8	1/2"	12	3/4"-16	24.9	24.9	17.7	9.9
UEF-500-10	5/8"	14/15/16	7/8"-14	28.2	28.2	19.6	12.3
UEF-500-12	3/4"	18/20	1 1/16"-12	32.5	32.5	22.4	15.5
UEF-500-16	1"	25	1 5/16"-12	37.3	37.3	23.5	21.4
UEF-500-20	1 1/4"	30/32	1 5/8"-12	40.4	40.4	24.7	27.4
UEF-500-24	1 1/2"	38	1 7/8"-12	45.2	45.2	27.9	33.3

# JIC 37° FLARE UNION CROSS



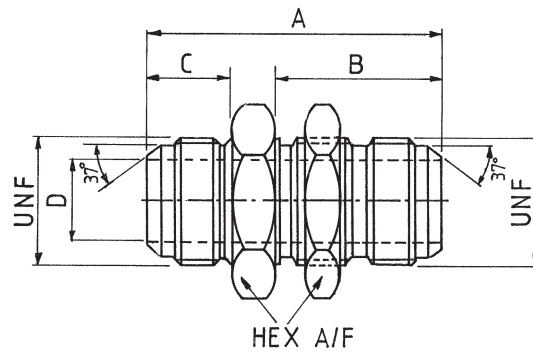
Part No.	TUBE OD INCH	TUBE OD MM	THREAD SIZE UNF	A	B	C	D
UCR-500-4	1/4"	6	7/16"-20	23.4	23.4	14.4	4.3
UCR-500-5	5/16"	8	1/2"-20	24.9	24.9	14.4	5.2
UCR-500-6	3/8"	10	9/16"-18	27.7	27.7	14.5	7.5
UCR-500-8	1/2"	12	3/4"-16	32.5	32.5	17.7	9.9
UCR-500-10	5/8"	14/15/16	7/8"-14	37.6	37.6	19.6	12.3
UCR-500-12	3/4"	18/20	1 1/16"-12	42.9	42.9	22.4	15.5
UCR-500-16	1"	25	1 5/16"-12	46.7	46.7	23.5	21.4
UCR-500-20	1 1/4"	30/32	1 5/8"-12	53.8	53.8	24.7	27.4
UCR-500-24	1 1/2"	38	1 7/8"-12	59.9	59.9	27.9	33.3

# JIC 37° FLARE EQUAL UNION



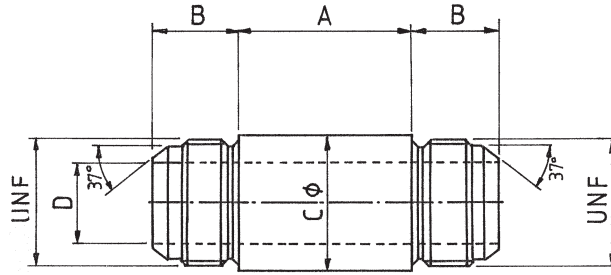
Part No.	TUBE OD INCH	TUBE OD MM	THREAD SIZE UNF	A	B	C	HEX
U-500-4	1/4"	6	7/16"-20	34.3	14.4	4.3	12.7
U-500-5	5/16"	8	1/2"-20	35.1	14.4	5.2	14.3
U-500-6	3/8"	10	9/16"-18	35.6	14.5	7.5	15.9
U-500-8	1/2"	12	3/4"-16	40.4	17.7	9.9	22.2
U-500-10	5/8"	14/15/16	7/8"-14	47.2	19.6	12.3	25.6
U-500-12	3/4"	18/20	1 1/16"-12	53.5	22.3	15.5	28.6
U-500-16	1"	25	1 5/16"-12	55.9	23.2	21.4	34.9
U-500-20	1 1/4"	30/32	1 5/8"-12	61.6	24.7	27.4	44.5
U-500-24	1 1/2"	38	1 7/8"-12	69.7	27.9	33.3	50.8

# JIC 37° FLARE UNION BULKHEAD



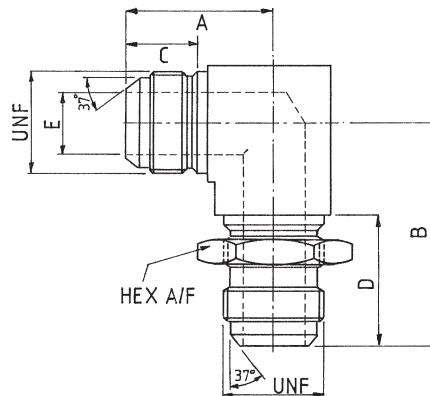
Part No.	TUBE OD INCH	TUBE OD MM	THREAD SIZE UNF	A	B	C	D	HEX
UB-500-4	1/4"	6	7/16"-20	51.94	30.9	14.4	4.3	18.1
UB-500-5	5/16"	8	1/2"-20	52.7	30.9	14.4	5.2	19.1
UB-500-6	3/8"	10	9/16"-18	54.8	33.1	14.5	7.5	22.2
UB-500-8	1/2"	12	3/4"-16	61.5	37.1	17.1	9.9	25.6
UB-500-10	5/8"	14/15/16	7/8"-14	69.3	40.6	19.6	12.3	28.6
UB-500-12	3/4"	18/20	1 1/16"-12	77.4	44.4	22.3	15.5	34.9
UB-500-16	1"	25	1 5/16"-12	79.4	44.9	23.2	21.4	41.3
UB-500-20	1 1/4"	30/32	1 5/8"-12	84.2	46.2	24.7	27.4	47.3
UB-500-24	1 1/2"	38	1 7/8"-12	89.4	46.5	27.9	33.3	56.4

# JIC 37° FLARE WELDING UNION



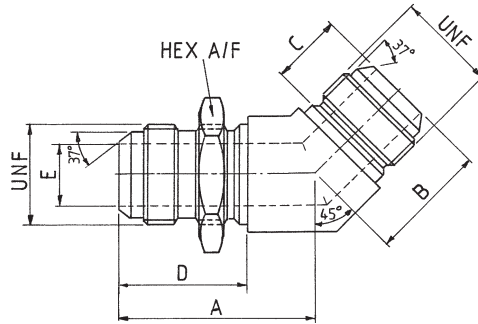
Part No.	TUBE OD INCH	TUBE OD MM	THREAD SIZE UNF	A	B	C	D
UBW-500-4	1/4"	6	7/16"-20	21.1	14.4	16.1	4.3
UBW-500-5	5/16"	8	1/2"-20	20.1	14.4	16.1	5.2
UBW-500-6	3/8"	10	9/16"-18	26.1	14.5	16.1	7.5
UBW-500-8	1/2"	12	3/4"-16	29.9	17.1	25.4	9.9
UBW-500-10	5/8"	14/15/16	7/8"-14	32.9	19.6	25.4	12.3
UBW-500-12	3/4"	18/20	1 1/16"-12	32.9	22.3	31.9	15.5
UBW-500-16	1"	25	1 5/16"-12	40.1	23.2	34.9	21.4
UBW-500-20	1 1/4"	30/32	1 5/8"-12	45.9	24.7	45.1	27.4
UBW-500-24	1 1/2"	38	1 7/8"-12	61.9	27.9	50.1	33.3

# JIC 37° FLARE 90° BULKHEAD ELBOW



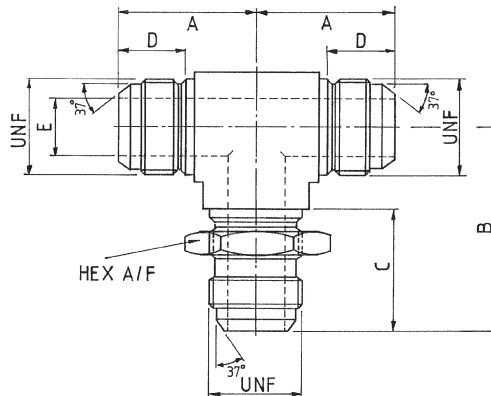
Part No.	TUBE OD INCH	TUBE OD MM	THREAD SIZE UNF	A	B	C	D	E	HEX
UEB-500-4	1/4"	6	7/16"-20	25.4	41.2	14.4	25.4	4.3	18.1
UEB-500-5	5/16"	8	1/2"-20	25.4	41.2	14.4	25.4	5.2	19.1
UEB-500-6	3/8"	10	9/16"-18	28.4	46.7	14.5	28.2	7.5	22.2
UEB-500-8	1/2"	12	3/4"-16	35.3	54.3	17.1	32.3	9.9	25.6
UEB-500-10	5/8"	14/15/16	7/8"-14	40.3	61.4	19.6	38.9	12.3	28.6
UEB-500-12	3/4"	18/20	1 1/16"-12	45.9	68.6	22.3	40.1	15.5	34.9
UEB-500-16	1"	25	1 5/16"-12	50.1	71.8	23.2	40.2	21.4	41.3
UEB-500-20	1 1/4"	30/32	1 5/8"-12	55.1	79.2	24.7	40.9	27.4	47.3
UEB-500-24	1 1/2"	38	1 7/8"-12	59.4	86.9	27.9	41.1	33.3	56.4

# JIC 37° FLARE 45° BULKHEAD ELBOW



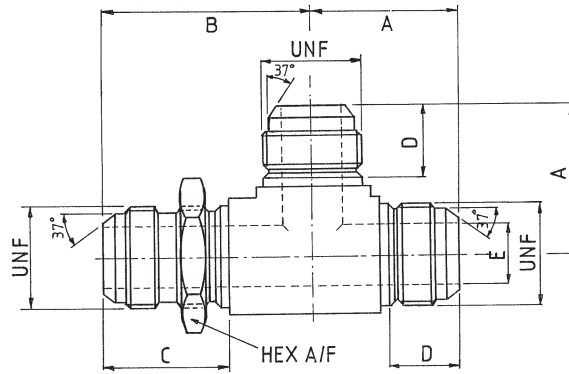
Part No.	TUBE OD INCH	TUBE OD MM	THREAD SIZE UNF	A	B	C	D	E	HEX
UEFB-500-4	1/4"	6	7/16"-20	38.9	18.3	14.4	25.4	4.3	18.1
UEFB-500-5	5/16"	8	1/2"-20	42.2	19.6	14.4	25.4	5.2	19.1
UEFB-500-6	3/8"	10	9/16"-18	43.2	21.8	14.5	28.2	7.5	22.2
UEFB-500-8	1/2"	12	3/4"-16	50.1	25.4	17.1	32.3	9.9	25.6
UEFB-500-10	5/8"	14/15/16	7/8"-14	55.1	28.2	19.6	38.9	12.3	28.6
UEFB-500-12	3/4"	18/20	1 1/16"-12	62.1	32.5	22.3	40.1	15.5	34.9
UEFB-500-16	1"	25	1 5/16"-12	65.8	38.1	23.2	40.2	21.4	41.3
UEFB-500-20	1 1/4"	30/32	1 5/8"-12	67.3	40.4	24.7	40.9	27.4	47.3
UEFB-500-24	1 1/2"	38	1 7/8"-12	67.8	45.2	27.9	41.1	33.3	56.4

# JIC 37° FLARE BULKHEAD BRANCH TEE



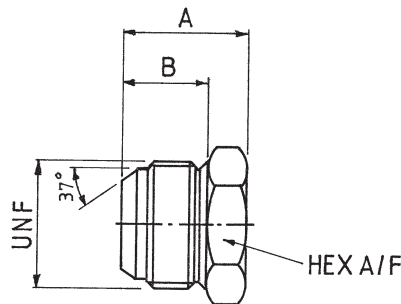
Part No.	TUBE OD INCH	TUBE OD MM	THREAD SIZE UNF	A	B	C	D	E	HEX
UTBB-500-4	1/4"	6	7/16"-20	25.4	41.2	25.4	14.4	4.3	18.1
UTBB-500-5	5/16"	8	1/2"-20	25.4	41.2	25.4	14.4	5.2	19.1
UTBB-500-6	3/8"	10	9/16"-18	28.4	46.7	28.2	14.5	7.5	22.2
UTBB-500-8	1/2"	12	3/4"-16	35.3	54.3	32.3	17.1	9.9	25.6
UTBB-500-10	5/8"	14/15/16	7/8"-14	40.3	61.4	38.9	19.6	12.3	28.6
UTBB-500-12	3/4"	18/20	1 1/16"-12	45.9	68.6	40.1	22.3	15.5	34.9
UTBB-500-16	1"	25	1 5/16"-12	50.1	71.8	40.2	23.2	21.4	41.3
UTBB-500-20	1 1/4"	30/32	1 5/8"-12	55.1	79.2	40.9	24.7	27.4	47.3
UTBB-500-24	1 1/2"	38	1 7/8"-12	59.4	86.9	41.1	27.9	33.3	56.4

## JIC 37° FLARE BULKHEAD RUN TEE



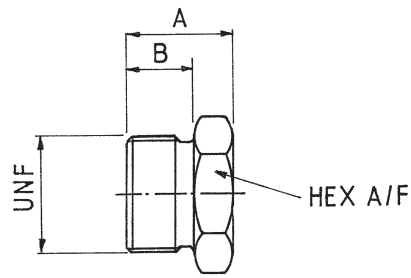
Part No.	TUBE OD INCH	TUBE OD MM	THREAD SIZE UNF	A	B	C	D	E	HEX
UTBR-500-4	1/4"	6	7/16"-20	25.4	41.2	25.4	14.4	4.3	18.1
UTBR-500-5	5/16"	8	1/2"-20	25.4	41.2	25.4	14.4	5.2	19.1
UTBR-500-6	3/8"	10	9/16"-18	28.4	46.7	28.2	14.5	7.5	22.2
UTBR-500-8	1/2"	12	3/4"-16	35.3	54.3	32.3	17.1	9.9	25.6
UTBR-500-10	5/8"	14/15/16	7/8"-14	40.3	61.4	38.9	19.6	12.3	28.6
UTBR-500-12	3/4"	18/20	1 1/16"-12	45.9	68.6	40.1	22.3	15.5	34.9
UTBR-500-16	1"	25	1 5/16"-12	50.1	71.8	40.2	23.2	21.4	41.3
UTBR-500-20	1 1/4"	30/32	1 5/8"-12	55.1	79.2	40.9	24.7	27.4	47.3
UTBR-500-24	1 1/2"	38	1 7/8"-12	59.4	86.9	41.1	27.9	33.3	56.4

## JIC 37° FLARE HEX HEAD PLUG



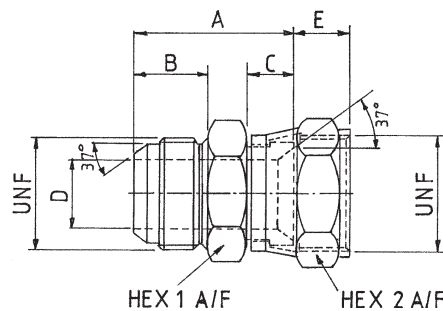
Part No.	TUBE OD INCH	TUBE OD MM	THREAD SIZE UNF	A	B	C
UP-500-4	1/4"	6	7/16"-20	19.9	14.4	12.7
UP-500-5	5/16"	8	1/2"-20	20.5	14.4	14.3
UP-500-6	3/8"	10	9/16"-18	20.8	14.5	15.8
UP-500-8	1/2"	12	3/4"-16	23.9	17.1	22.2
UP-500-10	5/8"	14/15/16	7/8"-14	27.5	19.6	25.6
UP-500-12	3/4"	18/20	1 1/16"-12	31.8	22.3	28.6
UP-500-16	1"	25	1 5/16"-12	34.3	23.2	34.9
UP-500-20	1 1/4"	30/32	1 5/8"-12	36.9	24.7	44.4
UP-500-24	1 1/2"	38	1 7/8"-12	43.7	27.9	50.8

# SAE HEX HEAD PLUG



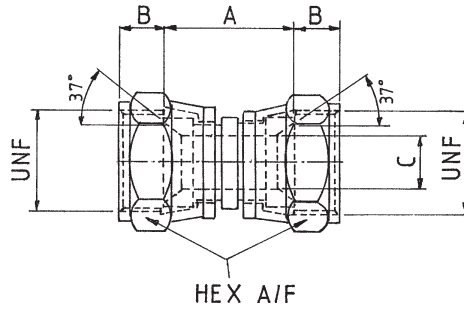
Part No.	THREAD SIZE UNF	A	B	HEX
SP-500-4	7/16"-20	15.9	9.5	15.9
SP-500-5	1/2"-20	16.4	9.3	15.9
SP-500-6	9/16"-18	18.5	9.9	17.4
SP-500-8	3/4"-16	20.4	11.3	22.2
SP-500-10	7/8"-14	23.5	12.8	25.6
SP-500-12	1 1/16"-12	27.9	15.2	31.7
SP-500-16	1 5/16"-12	28.4	15.9	38.1
SP-500-20	1 5/8"-12	30.5	15.9	47.2
SP-500-24	1 7/8"-12	32.3	15.9	50.8

# JIC 37° FLARE HEX MALE/SWIVEL FEMALE CONNECTOR



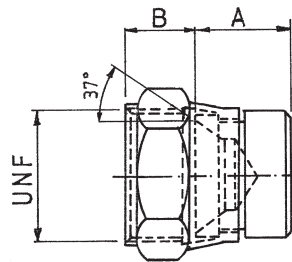
Part No.	TUBE OD INCH	TUBE OD MM	THREAD SIZE UNF	A	B	C	D	E	HEX 1	HEX 2
UFS-500-4-4	1/4"	6	7/16"-20	28.8	14.4	8.4	4.3	9.8	12.7	15.9
UFS-500-5-5	5/16"	8	1/2"-20	31.3	14.4	10.6	5.2	8.5	14.3	18.1
UFS-500-6-6	3/8"	10	9/16"-18	31.3	14.5	10.4	7.5	9.4	15.8	18.1
UFS-500-8-8	1/2"	12	3/4"-16	37.7	17.7	12.7	9.9	10.7	22.2	23.4
UFS-500-10	5/8"	14/15/16	7/8"-14	40.4	19.6	12.9	12.3	13.7	25.6	28.6
UFS-500-12	3/4"	18/20	1 1/16"-12	46.8	22.4	14.9	15.5	14.2	28.6	31.7
UFS-500-16	1"	25	1 5/16"-12	48.2	23.5	14.9	21.4	16.4	34.9	38.1
UFS-500-20	1 1/4"	30/32	1 5/8"-12	52.6	24.7	15.7	27.4	15.9	44.4	50.8
UFS-500-24	1 1/2"	38	1 7/8"-12	58.4	27.9	16.5	33.3	20.1	50.8	56.4

# JIC 37° FLARE SWIVEL FEMALE/SWIVEL FEMALE CONNECTOR



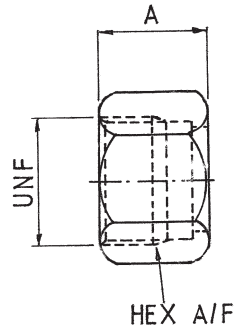
Part No.	TUBE OD INCH	TUBE OD MM	THREAD SIZE UNF	A	B	C	HEX
FFS-500-4	1/4"	6	7/16"-20	19.9	9.8	3.9	15.9
FFS-500-5	5/16"	8	1/2"-20	23.6	8.5	4.7	18.1
FFS-500-6	3/8"	10	9/16"-18	24.6	9.4	7.2	18.1
FFS-500-8	1/2"	12	3/4"-16	28.6	10.7	9.5	23.4
FFS-500-10	5/8"	14/15/16	7/8"-14	29.2	13.7	12.3	28.6
FFS-500-12	3/4"	18/20	1 1/16"-12	33.3	14.2	15.5	31.7
FFS-500-16	1"	25	1 5/16"-12	34.1	16.4	21.4	38.1
FFS-500-20	1 1/4"	30/32	1 5/8"-12	37.8	15.9	27.4	50.8
FFS-500-24	1 1/2"	38	1 7/8"-12	41.1	20.1	33.3	56.4

# JIC 37° FLARE SWIVEL CAP



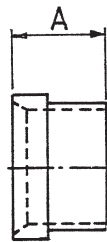
Part No.	TUBE OD INCH	TUBE OD MM	THREAD SIZE UNF	A	B	HEX
SC-500-4	1/4"	6	7/16"-20	14.5	9.8	15.9
SC-500-5	5/16"	8	1/2"-20	16.8	8.5	18.1
SC-500-6	3/8"	10	9/16"-18	16.8	9.4	18.1
SC-500-8	1/2"	12	3/4"-16	20.5	10.7	23.4
SC-500-10	5/8"	14/15/16	7/8"-14	21.1	13.7	28.6
SC-500-12	3/4"	18/20	1 1/16"-12	22.7	14.2	31.7
SC-500-16	1"	25	1 5/16"-12	27.2	16.4	38.1
SC-500-20	1 1/4"	30/32	1 5/8"-12	28.9	15.9	50.8
SC-500-24	1 1/2"	38	1 7/8"-12	30.8	20.1	56.4

# TUBE NUT



Part No.	TUBE OD INCH	TUBE OD MM	THREAD SIZE UNF	A	HEX
N-500-4	1/4"	6	7/16"-20	15.7	14.3
N-500-5	5/16"	8	1/2"-20	17.3	15.9
N-500-6	3/8"	10	9/16"-18	18.5	17.5
N-500-8	1/2"	12	3/4"-16	21.3	22.2
N-500-10	5/8"	14/15/16	7/8"-14	24.9	28.6
N-500-12	3/4"	18/20	1 1/16"-12	26.2	31.7
N-500-16	1"	25	1 5/16"-12	28.7	38.1
N-500-20	1 1/4"	30/32	1 5/8"-12	30.9	50.8
N-500-24	1 1/2"	38	1 7/8"-12	36.1	56.4

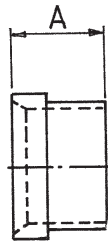
# TUBE SLEEVE (INCH)



Part No.	TUBE OD	A
SI-500-4	1/4"	10.9
SI-500-5	5/16"	11.7
SI-500-6	3/8"	13.2
SI-500-8	1/2"	14.7
SI-500-10	5/8"	17.3
SI-500-12	3/4"	17.8
SI-500-16	1"	20.3
SI-500-20	1 1/4"	23.6
SI-500-24	1 1/2"	28.9

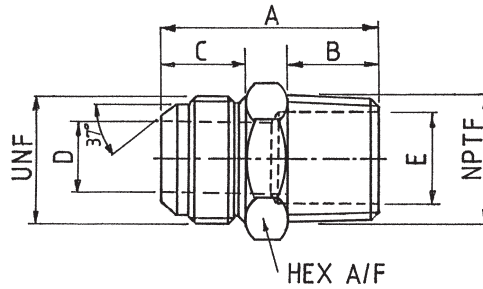


# TUBE SLEEVE (METRIC)



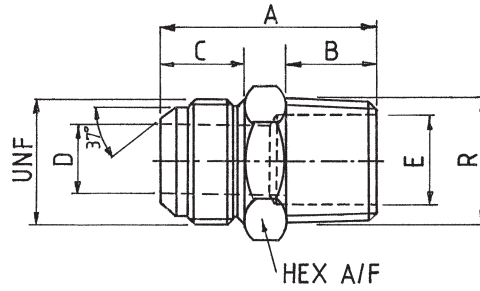
Part No.	TUBE OD	A
SM-500-6	6	10.9
SM-500-8	8	11.7
SM-500-10	10	13.2
SM-500-12	12	14.7
SM-500-14	14	17.3
SM-500-15	15	17.3
SM-500-16	16	17.3
SM-500-18	18	17.8
SM-500-20	20	17.8
SM-500-25	25	20.3
SM-500-30	30	23.6
SM-500-32	32	23.6
SM-500-38	38	28.9

# JIC 37° FLARE x NPT'F' HEX MALE CONNECTOR



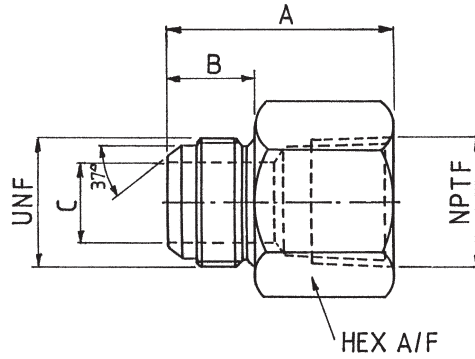
Part No.	TUBE OD INCH	TUBE OD METRIC	THREAD SIZE UNF	THREAD SIZE NPT'F'	A	B	C	D	E	HEX
UC-5NT-4-2	1/4"	6	7/16"-20	1/8"	29.5	9.5	14.3	4.3	4.3	12.7
UC-5NT-4-4	1/4"	6	7/16"-20	1/4"	32.6	12.7	14.3	4.3	7.5	15.9
UC-5NT-4-6	1/4"	6	7/16"-20	3/8"	34.2	13.5	14.3	4.3	10.3	18.1
UC-5NT-4-8	1/4"	6	7/16"-20	1/2"	38.2	15.9	14.3	4.3	12.7	22.2
UC-5NT-5-2	5/16"	8	1/2"-20	1/8"	30.2	9.5	14.4	5.9	4.7	14.3
UC-5NT-5-4	5/16"	8	1/2"-20	1/4"	33.4	12.7	14.4	5.9	7.5	15.9
UC-5NT-6-2	3/8"	10	9/16"-18	1/8"	30.4	9.5	14.5	7.5	4.7	15.9
UC-5NT-6-4	3/8"	10	9/16"-18	1/4"	33.5	12.7	14.5	7.5	7.5	15.9
UC-5NT-6-6	3/8"	10	9/16"-18	3/8"	33.5	12.7	14.5	7.5	10.3	18.1
UC-5NT-6-8	3/8"	10	9/16"-18	1/2"	38.3	15.9	14.5	7.5	13.4	22.2
UC-5NT-8-4	1/2"	12	3/4"-16	1/4"	37.6	12.7	17.1	9.9	7.2	22.2
UC-5NT-8-6	1/2"	12	3/4"-16	3/8"	36.1	12.7	17.1	9.9	9.9	22.2
UC-5NT-8-8	1/2"	12	3/4"-16	1/2"	39.3	15.9	17.1	9.9	13.4	22.2
UC-5NT-8-12	1/2"	12	3/4"-16	3/4"	44.1	17.5	17.1	9.9	18.3	28.6
UC-5NT-10-6	5/8"	14/15/16	7/8"-14	3/8"	40.3	12.7	19.6	12.3	10.3	25.6
UC-5NT-10	5/8"	14/15/16	7/8"-14	1/2"	43.4	15.9	19.6	12.3	12.3	25.6
UC-5NT-10-12	5/8"	14/15/16	7/8"-14	3/4"	46.6	19.1	19.6	12.3	18.3	28.6
UC-5NT-12-8	3/4"	18/20	1 1/16"-12	1/2"	47.7	15.7	22.3	15.5	12.7	28.6
UC-5NT-12	3/4"	18/20	1 1/16"-12	3/4"	51.1	19.1	22.3	15.5	18.3	28.6
UC-5NT-12-16	3/4"	18/20	1 1/16"-12	1"	52.5	20.6	22.3	15.5	23.8	34.9
UC-5NT-16-12	1"	25	1 5/16"-12	3/4"	50.5	15.9	23.5	21.4	19.1	34.9
UC-5NT-16	1"	25	1 5/16"-12	1"	58.1	23.8	23.5	21.4	23.8	34.9
UC-5NT-20	1 1/4"	30/32	1 5/8"-12	1 1/4"	60.7	23.8	24.7	27.3	31.7	44.4
UC-5NT-24	1 1/2"	38	1 7/8"-12	1 1/2"	64.1	22.2	27.9	33.3	33.3	50.8

# JIC 37° FLARE x BSP'T' HEX MALE CONNECTOR



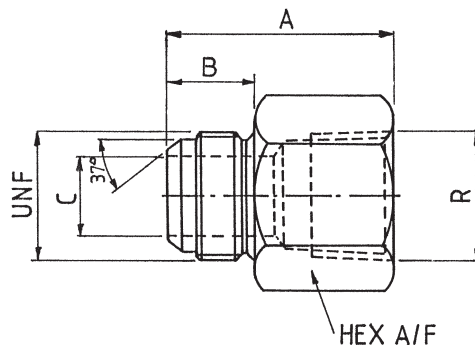
Part No.	TUBE OD INCH	TUBE OD METRIC	THREAD SIZE UNF	BSPT THREAD SIZE R	A	B	C	D	E	HEX
UC-5BT-4-2	1/4"	6	7/16"-20	1/8"	29.5	9.5	14.3	4.3	4.3	12.7
UC-5BT-4-4	1/4"	6	7/16"-20	1/4"	32.6	12.7	14.3	4.3	7.5	15.9
UC-5BT-4-6	1/4"	6	7/16"-20	3/8"	34.2	13.5	14.3	4.3	10.3	18.1
UC-5BT-4-8	1/4"	6	7/16"-20	1/2"	38.2	15.9	14.3	4.3	12.7	22.2
UC-5BT-5-2	5/16"	8	1/2"-20	1/8"	30.2	9.5	14.4	5.9	4.7	14.3
UC-5BT-5-4	5/16"	8	1/2"-20	1/4"	33.4	12.7	14.4	5.9	7.5	15.9
UC-5BT-6-2	3/8"	10	9/16"-18	1/8"	30.4	9.5	14.5	7.5	4.7	15.9
UC-5BT-6-4	3/8"	10	9/16"-18	1/4"	33.5	12.7	14.5	7.5	7.5	15.9
UC-5BT-6-6	3/8"	10	9/16"-18	3/8"	33.5	12.7	14.5	7.5	10.3	18.1
UC-5BT-6-8	3/8"	10	9/16"-18	1/2"	38.3	15.9	14.5	7.5	13.4	22.2
UC-5BT-8-4	1/2"	12	3/4"-16	1/4"	37.6	12.7	17.1	9.9	7.2	22.2
UC-5BT-8-6	1/2"	12	3/4"-16	3/8"	36.1	12.7	17.1	9.9	9.9	22.2
UC-5BT-8-8	1/2"	12	3/4"-16	1/2"	39.3	15.9	17.1	9.9	13.4	22.2
UC-5BT-8-12	1/2"	12	3/4"-16	3/4"	44.1	17.5	17.1	9.9	18.3	28.6
UC-5BT-10-6	5/8"	14/15/16	7/8"-14	3/8"	40.3	12.7	19.6	12.3	10.3	25.6
UC-5BT-10	5/8"	14/15/16	7/8"-14	1/2"	43.4	15.9	19.6	12.3	12.3	25.6
UC-5BT-10-12	5/8"	14/15/16	7/8"-14	3/4"	46.6	19.1	19.6	12.3	18.3	28.6
UC-5BT-12-8	3/4"	18/20	1 1/16"-12	1/2"	47.7	15.7	22.3	15.5	12.7	28.6
UC-5BT-12	3/4"	18/20	1 1/16"-12	3/4"	51.1	19.1	22.3	15.5	18.3	28.6
UC-5BT-12-16	3/4"	18/20	1 1/16"-12	1"	52.5	20.6	22.3	15.5	23.8	34.9
UC-5BT-16-12	1"	25	1 5/16"-12	3/4"	50.5	15.9	23.5	21.4	19.1	34.9
UC-5BT-16	1"	25	1 5/16"-12	1"	58.1	23.8	23.5	21.4	23.8	34.9
UC-5BT-20	1 1/4"	30/32	1 5/8"-12	1 1/4"	60.7	23.8	24.7	27.3	31.7	44.4
UC-5BT-24	1 1/2"	38	1 7/8"-12	1 1/2"	64.1	22.2	27.9	33.3	33.3	50.8

# JIC 37° FLARE x NPT'F' HEX FEMALE CONNECTOR



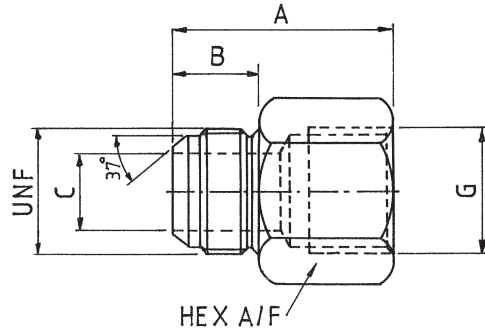
Part No.	TUBE OD INCH	TUBE OD METRIC	THREAD SIZE UNF	THREAD SIZE NPT'F'	A	B	C	HEX
UFC-5NT-4-4	1/4"	6	7/16"-20	1/4"	36.6	14.3	4.3	19.1
UFC-5NT-5-4	5/16"	8	1/2"-20	1/4"	36.6	14.3	5.9	19.1
UFC-5NT-6-4	3/8"	10	9/16"-20	1/4"	36.7	14.5	7.5	19.1
UFC-5NT-6-6	3/8"	10	9/16"-20	3/8"	39.9	14.5	7.5	22.2
UFC-5NT-8-8	1/2"	12	3/4"-16	1/2"	45.6	17.1	9.9	28.6
UFC-5NT-10	5/8"	14/15/16	7/8"-14	1/2"	48.2	19.6	12.3	28.6
UFC-5NT-12	3/4"	18/20	1 1/16"-12	3/4"	53.3	22.3	15.5	34.9
UFC-5NT-16	1"	25	1 5/16"-12	1"	59.8	23.5	21.4	41.3
UFC-5NT-20	1 1/4"	30/32	1 5/8"-12	1 1/4"	64.4	24.7	27.3	50.8
UFC-5NT-24	1 1/2"	38	1 7/8"-12	1 1/2"	65.9	27.9	33.3	60.3

# JIC 37° FLARE x BSP'T' HEX FEMALE CONNECTOR



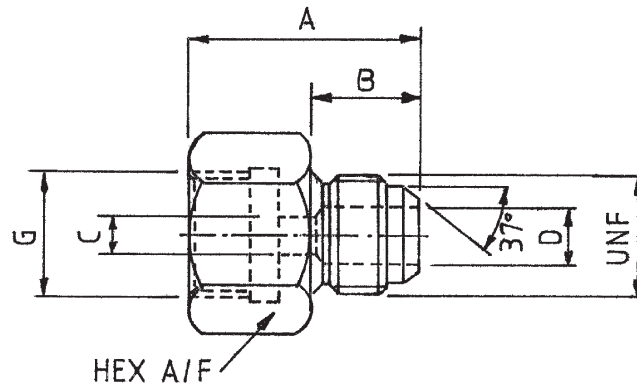
Part No.	TUBE OD INCH	TUBE OD METRIC	THREAD SIZE UNF	BSP'T' THREAD SIZE R	A	B	C	HEX
UFC-5BT-4-4	1/4"	6	7/16"-20	1/4"	36.6	14.3	4.3	19.1
UFC-5BT-5-4	5/16"	8	1/2"-20	1/4"	36.6	14.3	5.9	19.1
UFC-5BT-6-4	3/8"	10	9/16"-18	1/4"	36.7	14.5	7.5	19.1
UFC-5BT-6-6	3/8"	10	9/16"-18	3/8"	39.9	14.5	7.5	22.2
UFC-5BT-8-8	1/2"	12	3/4"-16	1/2"	45.6	17.1	9.9	28.6
UFC-5BT-10	5/8"	14/15/16	7/8"-14	1/2"	48.2	19.6	12.3	28.6
UFC-5BT-12	3/4"	18/20	1 1/16"-12	3/4"	53.3	22.3	15.5	34.9
UFC-5BT-16	1"	25	1 5/16"-12	1"	59.8	23.5	21.4	41.3
UFC-5BT-20	1 1/4"	30/32	1 5/8"-12	1 1/4"	64.4	24.7	27.3	50.8
UFC-5BT-24	1 1/2"	38	1 7/8"-12	1 1/2"	65.9	27.9	33.3	60.3

# JIC 37° FLARE x BSP'P' HEX FEMALE CONNECTOR



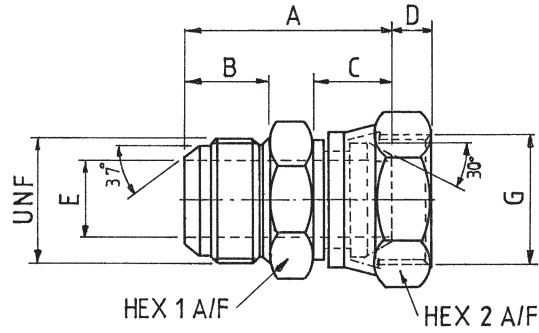
Part No.	TUBE OD INCH	TUBE OD METRIC	THREAD SIZE UNF	BSP'P' THREAD G	A	B	C	HEX
UFC-5BP-4-4	1/4"	6	7/16"-20	1/4"	35.2	14.3	4.3	19.1
UFC-5BP-5-4	5/16"	8	1/2"-20	1/4"	35.2	14.3	5.9	19.1
UFC-5BP-6-6	3/8"	10	9/16"-18	3/8"	38.3	14.5	7.5	22.2
UFC-5BP-8-8	1/2"	12	3/4"-16	1/2"	46.1	17.1	9.9	28.6
UFC-5BP-10	5/8"	14/15/16	7/8"-14	1/2"	48.6	19.6	12.3	28.6
UFC-5BP-12	3/4"	18/20	1 1/16"-12	3/4"	53.3	22.3	15.5	34.9
UFC-5BP-16	1"	25	1 5/16"-12	1"	56.3	23.5	21.4	41.3
UFC-5BP-20	1 1/4"	30/32	1 5/8"-12	1 1/4"	64.6	24.7	27.3	50.8
UFC-5BP-24	1 1/2"	38	1 7/8"-12	1 1/2"	69.2	27.9	33.3	60.3

# JIC 37° FLARE x BSP'P' HEX GAUGE ADAPTOR



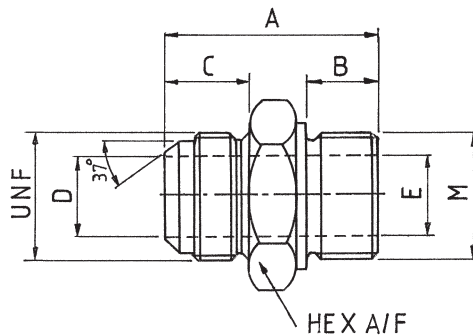
Part No.	TUBE OD INCH	TUBE OD METRIC	THREAD SIZE UNF	BSP'P' THREAD G	A	B	C	D	HEX
UGA-5BP-4-4	1/4"	6	7/16"-20	1/4"	33.4	14.3	5.5	4.3	19.1
UGA-5BP-5-4	5/16"	8	1/2"-20	1/4"	33.4	14.3	5.5	5.9	19.1
UGA-5BP-6-6	3/8"	10	9/16"-18	3/8"	34.8	14.5	5.9	7.5	22.2
UGA-5BP-8-8	1/2"	12	3/4"-16	1/2"	41.1	17.1	6.5	9.9	28.6

# JIC 37° FLARE x BSP'P'(CS) SWIVEL FEMALE CONNECTOR



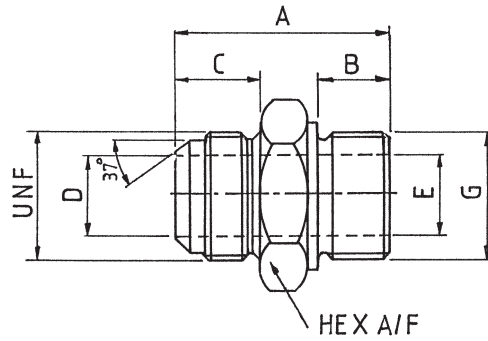
Part No.	TUBE OD INCH	TUBE OD METRIC	THREAD SIZE UNF	BSP'P' THREAD G	A	B	C	D	E	HEX 1	HEX 2
UFSC-5BP-4-4	1/4"	6	7/16"-20	1/4"	34.9	14.3	15.1	11.1	4.3	14.3	18.1
UFSC-5BP-5-4	5/16"	8	1/2"-20	1/4"	35.6	14.3	15.1	11.1	5.9	15.9	18.1
UFSC-5BP-6-6	3/8"	10	9/16"-18	3/8"	37.5	14.5	16.5	12.1	7.5	15.9	22.2
UFSC-5BP-8-8	1/2"	12	3/4"-16	1/2"	39.9	17.1	16.5	14.1	9.9	22.2	25.6
UFSC-5BP-10	5/8"	14/15/16	7/8"-14	1/2"	43.9	19.6	16.5	14.1	12.3	25.6	25.6
UFSC-5BP-12	3/4"	18/20	1 1/16"-12	3/4"	49.5	22.3	17.5	16.1	15.5	28.6	31.7
UFSC-5BP-16	1"	25	1 5/16"-12	1"	54.4	23.5	21.2	19.1	21.4	34.9	38.1
UFSC-5BP-20	1 1/4"	30/32	1 5/8"-12	1 1/4"	58.4	24.7	21.5	20.1	27.3	44.4	47.2
UFSC-5BP-24	1 1/2"	38	1 7/8"-12	1 1/2"	68.3	27.9	26.4	22.1	33.3	50.8	56.4

# JIC 37° FLARE x METRIC 'O' RING HEX MALE CONNECTOR



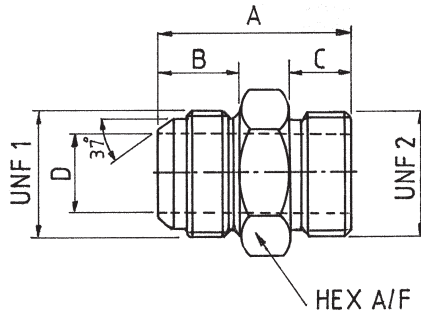
Part No.	TUBE OD INCH	TUBE OD METRIC	THREAD SIZE UNF	METRIC THREAD SIZE M	A	B	C	D	E	HEX
UCO-5M-4-10	1/4"	6	7/16"-20	10 x 1	30.7	8.1	14.3	4.4	4.4	15.9
UCO-5M-5-12	5/16"	8	1/2"-20	12 x 1.5	34.7	12.1	14.3	5.9	5.9	19.1
UCO-5M-6-14	3/8"	10	9/16"-18	14 x 1.5	34.8	12.1	14.5	7.5	6.5	19.1
UCO-5M-8-16	1/2"	12	3/4"-16	16 x 1.5	37.9	12.1	17.1	9.9	7.9	22.1
UCO-5M-10-22	5/8"	14/15/16	7/8"-14	22 x 1.5	45.6	14.1	19.6	12.3	12.3	28.6
UCO-5M-12-27	3/4"	18/20	1 1/16"-12	27 x 2	47.7	16.1	22.3	15.5	19.1	31.7
UCO-5M-16-33	1"	25	1 5/16"-12	33 x 2	55.7	16.1	23.5	21.4	21.4	41.1
UCO-5M-20-42	1 1/4"	30/32	1 5/8"-12	42 x 2	59.7	16.1	24.7	27.4	27.4	50.8
UCO-5M-24-50	1 1/2"	38	1 7/8"-12	50 x 2	60.9	16.1	27.9	33.3	33.3	56.2

# JIC 37° FLARE x BSP'P' 'O' RING HEX MALE CONNECTOR



Part No.	TUBE OD INCH	TUBE OD MM	THREAD SIZE UNF	BSP'P' THREAD SIZE G	A	B	C	D	E	HEX
UCO-5BP-4-2	1/4"	6	7/16"-20	1/8"	31.9	10.5	14.3	4.4	4.4	14.3
UCO-5BP-4-4	1/4"	6	7/16"-20	1/4"	33.7	11.1	14.3	4.4	4.7	19.1
UCO-5BP-4-6	1/4"	6	7/16"-20	3/8"	37.1	12.5	14.3	4.4	7.9	22.2
UCO-5BP-4-8	1/4"	6	7/16"-20	1/2"	42.3	15.1	14.3	4.4	11.1	28.6
UCO-5BP-5-2	5/16"	8	1/2"-20	1/8"	31.9	10.5	14.3	5.9	3.5	14.3
UCO-5BP-5-4	5/16"	8	1/2"-20	1/4"	33.5	11.1	14.3	5.9	5.9	19.1
UCO-5BP-5-6	5/16"	8	1/2"-20	3/8"	37.4	12.5	14.3	5.9	7.9	22.2
UCO-5BP-6-2	3/8"	10	9/16"-18	1/8"	32.8	10.5	14.5	7.5	3.5	15.9
UCO-5BP-6-4	3/8"	10	9/16"-18	1/4"	33.6	11.1	14.5	7.5	7.5	19.1
UCO-5BP-6-6	3/8"	10	9/16"-18	3/8"	36.4	11.4	14.5	7.5	7.5	22.2
UCO-5BP-6-8	3/8"	10	9/16"-18	1/2"	42.5	15.1	14.5	7.5	11.1	28.6
UCO-5BP-8-4	1/2"	12	3/4"-16	1/4"	36.2	11.1	17.1	9.9	7.9	22.2
UCO-5BP-8-6	1/2"	12	3/4"-16	3/8"	37.4	11.4	17.1	9.9	9.9	22.2
UCO-5BP-8-8	1/2"	12	3/4"-16	1/2"	45.1	15.1	17.1	9.9	9.9	28.6
UCO-5BP-8-12	1/2"	12	3/4"-16	3/4"	48.4	16.3	17.1	9.9	16.6	31.7
UCO-5BP-10-6	5/8"	14/15/16	7/8"-14	3/8"	42.6	12.5	19.6	12.3	7.9	25.6
UCO-5BP-10	5/8"	14/15/16	7/8"-14	1/2"	47.2	14.9	19.6	12.3	12.3	28.6
UCO-5BP-10-12	5/8"	14/15/16	7/8"-14	3/4"	50.8	16.3	19.6	12.3	16.6	31.7
UCO-5BP-12-8	3/4"	18/20	1 1/16"-12	1/2"	49.8	14.9	22.3	15.5	11.1	28.6
UCO-5BP-12	3/4"	18/20	1 1/16"-12	3/4"	51.2	16.3	22.3	15.5	15.5	31.8
UCO-5BP-12-16	3/4"	18/20	1 1/16"-12	1"	56.5	19.1	22.3	15.5	22.2	41.3
UCO-5BP-16-12	1"	25	1 5/16"-12	3/4"	52.3	16.3	23.5	21.4	15.5	34.9
UCO-5BP-16	1"	25	1 5/16"-12	1"	58.3	19.1	23.5	21.4	21.4	41.3
UCO-5BP-16-20	1"	25	1 5/16"-12	1 1/4"	62.1	21.4	23.5	21.4	28.6	50.8
UCO-5BP-20-16	1 1/4"	30/32	1 5/8"-12	1"	59.5	19.1	24.7	27.4	22.2	44.4
UCO-5BP-20	1 1/4"	30/32	1 5/8"-12	1 1/4"	63.1	21.4	24.7	27.4	27.4	50.8
UCO-5BP-24-20	1 1/2"	38	1 7/8"-12	1 1/4"	66.3	21.4	27.9	33.3	28.6	50.8
UCO-5BP-24	1 1/2"	38	1 7/8"-12	1 1/2"	67.4	22.5	27.9	33.3	33.3	56.4

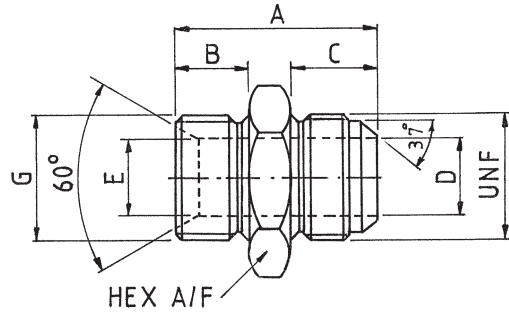
# JIC 37° x SAE MALE HEX CONNECTOR



Part No.	TUBE OD INCH	TUBE OD MM	THREAD SIZE UNF 1	THREAD SIZE UNF 2	A	B	C	D	HEX
UCO-5SA-4-4	1/4"	6	7/16"-20	7/16"-20	30.7	14.3	9.3	4.4	14.3
UCO-5SA-5-4	5/16"	8	7/16"-20	7/16"-20	31.2	14.3	9.3	5.9	14.3
UCO-5SA-6-6	3/8"	10	9/16"-18	9/16"-18	32.7	14.5	10.1	7.5	18.1
UCO-5SA-8-8	1/2"	12	3/4"-16	3/4"-16	36.9	17.1	11.2	9.9	22.2
UCO-5SA-10	5/8"	14/15/16	7/8"-14	7/8"-14	43.4	19.6	12.7	12.3	25.6
UCO-5SA-12	3/4"	18/20	1 1/16"-12	1 1/16"-12	50.2	22.3	15.2	15.5	31.7
UCO-5SA-16	1"	25	1 5/16"-12	1 5/16"-12	50.8	23.5	15.2	21.4	38.1
UCO-5SA-20	1 1/4"	30/32	1 5/8"-12	1 5/8"-12	59.9	24.7	15.2	27.4	50.8
UCO-5SA-24	1 1/2"	38	1 7/8"-12	1 7/8"-12	64.4	27.9	15.2	33.3	56.4

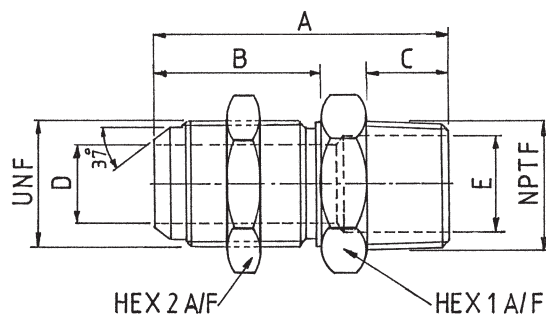


# JIC 37° FLARE x BSP'P' (CS) HEX MALE CONNECTOR



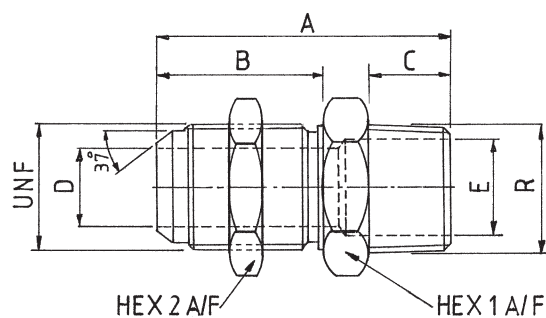
Part No.	TUBE OD INCH	TUBE OD MM	THREAD SIZE UNF	BSP'P' THREAD SIZE G	A	B	C	D	E	HEX
UCC-5BP-4-2	1/4"	6	7/16"-20	1/8"	27.4	8.1	14.3	4.4	3.5	14.3
UCC-5BP-4-4	1/4"	6	7/16"-20	1/4"	30.7	10.1	14.3	4.4	4.4	19.1
UCC-5BP-5-2	5/16"	8	1/2"-20	1/8"	27.4	8.1	14.3	5.9	3.5	14.3
UCC-5BP-5-4	5/16"	8	1/2"-20	1/4"	32.4	11.1	14.3	5.9	4.7	19.1
UCC-5BP-6-2	3/8"	10	9/16"-18	1/8"	28.8	8.1	14.5	7.5	3.5	15.9
UCC-5BP-6-4	3/8"	10	9/16"-18	1/4"	32.5	11.1	14.5	7.5	4.7	19.1
UCC-5BP-6-6	3/8"	10	9/16"-18	3/8"	34.5	12.1	14.5	7.5	7.5	22.2
UCC-5BP-8-8	1/2"	12	3/4"-16	1/2"	39.4	14.5	17.1	9.9	9.9	28.6
UCC-5BP-10	5/8"	14/15/16	7/8"-14	1/2"	43.7	14.2	19.6	12.3	11.1	28.6
UCC-5BP-12	3/4"	18/20	1 1/16"-12	3/4"	50.3	16.1	22.3	15.5	15.5	31.7
UCC-5BP-16	1"	25	1 5/16"-12	1"	54.5	19.1	23.5	21.4	21.4	41.3
UCC-5BP-20	1 1/4"	30/32	1 5/8"-12	1 1/4"	58.7	20.1	24.7	27.4	28.6	50.8
UCC-5BP-24	1 1/2"	38	1 7/8"-12	1 1/2"	64.1	22.2	27.9	33.3	33.3	56.4

## JIC 37° FLARE x NPT'F' MALE HEX BULKHEAD



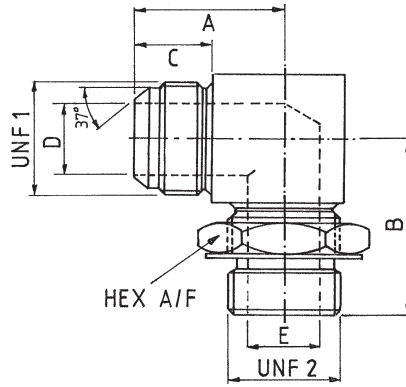
Part No.	TUBE OD INCH	TUBE OD MM	THREAD SIZE UNF	THREAD SIZE NPT'F'	A	B	C	D	E	HEX 1	HEX 2
UBM-5NT-4-4	1/4"	6	7/16"-20	1/4"	51.1	32.1	12.7	4.4	7.5	18.1	18.1
UBM-5NT-5-4	5/16"	8	1/2"-20	1/4"	51.1	32.1	12.7	5.9	7.5	19.1	19.1
UBM-5NT-6-6	3/8"	10	9/16"-18	3/8"	53.1	34.2	12.7	7.5	10.7	22.2	22.2
UBM-5NT-8-8	1/2"	12	3/4"-16	1/2"	60.8	38.1	15.9	9.9	13.5	25.6	25.6
UBM-5NT-10	5/8"	14/15/16	7/8"-14	1/2"	65.5	41.7	15.9	12.3	13.5	28.6	28.6
UBM-5NT-12	3/4"	18/20	1 1/16"-12	3/4"	74.1	45.5	19.1	15.5	15.5	34.9	34.9
UBM-5NT-16	1"	25	1 5/16"-12	1"	79.2	45.9	23.8	21.4	23.8	41.3	41.3
UBM-5NT-20	1 1/4"	30/32	1 5/8"-12	1 1/4"	84.1	47.3	23.8	27.3	31.7	50.8	50.8
UBM-5NT-24	1 1/2"	38	1 7/8"-12	1 1/2"	84.6	47.5	23.8	33.3	38.1	56.4	56.4

## JIC 37° FLARE x BSP'T' MALE HEX BULKHEAD



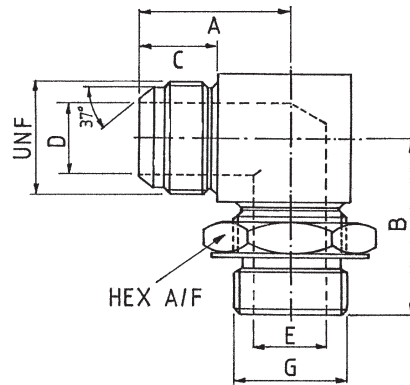
Part No.	TUBE OD INCH	TUBE OD MM	THREAD SIZE UNF	BSP'T' THREAD R	A	B	C	D	E	HEX 1	HEX 2
UBM-5BT-4-4	1/4"	6	7/16"-20	1/4"	51.1	32.1	12.7	4.4	7.5	18.1	18.1
UBM-5BT-5-4	5/16"	8	1/2"-20	1/4"	51.1	32.1	12.7	5.9	7.5	19.1	19.1
UBM-5BT-6-6	3/8"	10	9/16"-18	3/8"	53.1	34.2	12.7	7.5	10.7	22.2	22.2
UBM-5BT-8-8	1/2"	12	3/4"-16	1/2"	60.8	38.1	15.9	9.9	13.5	25.6	25.6
UBM-5BT-10	5/8"	14/15/16	7/8"-14	1/2"	65.5	41.7	15.9	12.3	13.5	28.6	28.6
UBM-5BT-12	3/4"	18/20	1 1/16"-12	3/4"	74.1	45.5	19.1	15.5	15.5	34.9	34.9
UBM-5BT-16	1"	25	1 5/16"-12	1"	79.2	45.9	23.8	21.4	23.8	41.3	41.3
UBM-5BT-20	1 1/4"	30/32	1 5/8"-12	1 1/4"	84.1	47.3	23.8	27.3	31.7	50.8	50.8
UBM-5BT-24	1 1/2"	38	1 7/8"-12	1 1/2"	84.6	47.5	23.8	33.3	38.1	56.4	56.4

# JIC 37° FLARE x SAE POSITIONAL 90° ELBOW



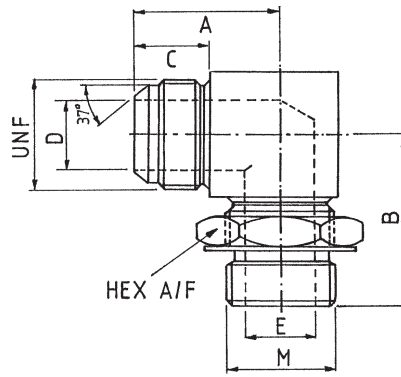
Part No.	TUBE OD INCH	TUBE OD MM	THREAD SIZE UNF 1	THREAD SIZE UNF 2	A	B	C	D	E	HEX
UPE-5SA-4-4	1/4"	6	7/16"-20	7/16"-20	23.7	25.4	14.3	4.4	4.4	18.1
UPE-5SA-5-4	5/16"	8	1/2"-20	7/16"-20	27.7	25.4	14.3	5.9	4.4	18.1
UPE-5SA-6-6	3/8"	10	9/16"-18	9/16"-18	29.9	32.5	14.5	7.5	7.5	22.2
UPE-5SA-8-8	1/2"	12	3/4"-16	3/4"-16	32.5	37.6	17.1	9.9	9.9	25.6
UPE-5SA-10	5/8"	14/15/16	7/8"-14	7/8"-14	36.8	43.2	19.6	12.3	12.3	28.6
UPE-5SA-12	3/4"	18/20	1 1/16"-12	1 1/16"-12	41.4	50.1	22.3	15.5	15.5	34.9
UPE-5SA-16	1"	25	1 5/16"-12	1 5/16"-12	46.7	51.3	23.5	21.4	21.4	41.3
UPE-5SA-20	1 1/4"	30/32	1 5/8"-12	1 5/8"-12	53.1	57.9	24.7	27.4	27.4	50.8
UPE-5SA-24	1 1/2"	38	1 7/8"-12	1 7/8"-12	59.2	60.7	27.9	33.3	33.3	56.4

# JIC 37° FLARE x BSP'P' POSITIONAL 90° ELBOW



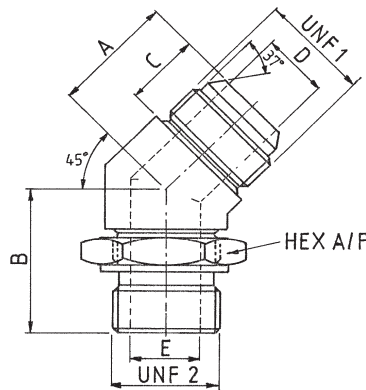
Part No.	TUBE OD INCH	TUBE OD MM	THREAD SIZE UNF	BSP'P' THREAD SIZE G	A	B	C	D	E	HEX
UPE-5BP-4-2	1/4"	6	7/16"-20	1/8"	23.7	25.4	14.3	4.4	3.5	15.9
UPE-5BP-4-4	1/4"	6	7/16"-20	1/4"	27.7	33.2	14.3	4.4	5.1	19.1
UPE-5BP-5-4	5/16"	8	1/2"-20	1/4"	27.7	33.2	14.3	5.9	5.1	19.1
UPE-5BP-6-4	3/8"	10	9/16"-18	1/4"	27.7	33.2	14.5	7.5	5.1	19.1
UPE-5BP-6-6	3/8"	10	9/16"-18	3/8"	29.9	38.6	14.5	7.5	8.1	22.2
UPE-5BP-8-6	1/2"	12	3/4"-16	3/8"	32.5	38.6	17.1	9.9	8.1	22.2
UPE-5BP-8-8	1/2"	12	3/4"-16	1/2"	35.3	44.4	17.1	9.9	11.1	28.6
UPE-5BP-10	5/8"	14/15/16	7/8"-14	1/2"	37.6	44.7	19.6	12.3	11.1	28.6
UPE-5BP-12-8	3/4"	18/20	1 1/16"-12	1/2"	42.9	50.8	22.3	15.5	11.1	28.6
UPE-5BP-12	3/4"	18/20	1 1/16"-12	3/4"	42.9	50.8	22.3	15.5	16.6	35.1
UPE-5BP-16	1"	25	1 5/16"-12	1"	46.7	56.9	23.5	21.4	22.2	44.4
UPE-5BP-20	1 1/4"	30/32	1 5/8"-12	1 1/4"	53.1	65.1	24.7	27.4	28.6	50.8
UPE-5BP-24	1 1/2"	38	1 7/8"-12	1 1/2"	59.9	73.1	27.9	33.3	33.3	63.5

# JIC 37° FLARE x METRIC POSITIONAL 90° ELBOW



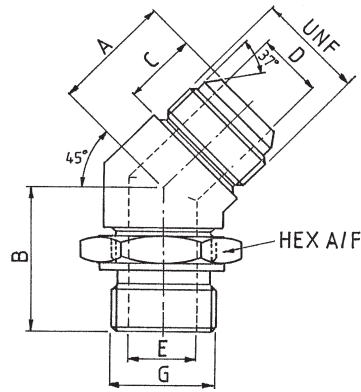
Part No.	TUBE OD INCH	TUBE OD MM	THREAD SIZE UNF	METRIC THREAD SIZE M	A	B	C	D	E	HEX
UPE-5M-4-10	1/4"	6	7/16"-20	10 x 1	23.7	25.4	14.3	4.4	4.7	15.9
UPE-5M-5-12	5/16"	8	1/2"-20	12 x 1.5	27.7	33.1	14.3	5.9	4.7	18.1
UPE-5M-6-14	3/8"	10	9/16"-18	14 x 1.5	27.7	33.1	14.5	7.5	7.2	19.1
UPE-5M-8-16	1/2"	12	3/4"-16	16 x 1.5	32.5	38.6	17.1	9.9	7.9	19.1
UPE-5M-10-22	5/8"	14/15/16	7/8"-14	22 x 1.5	36.8	42.5	19.6	12.3	12.3	27.1
UPE-5M-12-27	3/4"	18/20	1 1/16"12	27 x 2	42.9	51.5	22.3	15.5	18.9	34.9
UPE-5M-16-33	1"	25	1 5/16"-12	33 x 2	46.1	53.2	23.5	21.4	21.4	38.1
UPE-5M-20-42	1 1/4"	30/32	1 5/8"-12	42 x 2	52.3	58.1	24.7	27.4	27.4	48.1
UPE-5M-24-50	1 1/2"	38	1 7/8"-12	50 x 2	60.2	74.6	27.9	33.3	33.3	63.5

# JIC 37° FLARE x SAE POSITIONAL 45° ELBOW



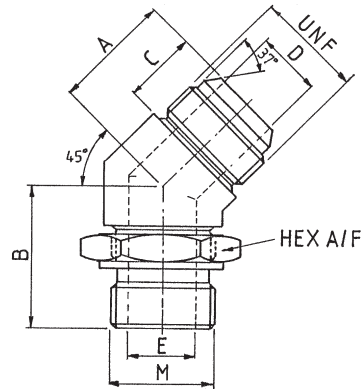
Part No.	TUBE OD INCH	TUBE OD MM	THREAD SIZE UNF 1	THREAD SIZE UNF 2	A	B	C	D	E	HEX
UPEF-5SA-4-4	1/4"	6	7/16"-20	7/16"-20	19.1	27.4	14.3	4.4	4.4	18.1
UPEF-5SA-5-4	5/16"	8	1/2"-20	7/16"-20	19.6	27.4	14.3	5.9	4.4	18.1
UPEF-5SA-6-6	3/8"	10	9/16"-18	9/16"-18	21.1	29.1	14.5	7.5	7.5	22.2
UPEF-5SA-8-8	1/2"	12	3/4"-16	3/4"-16	24.9	33.1	17.1	9.9	9.9	25.6
UPEF-5SA-10	5/8"	14/15/16	7/8"-14	7/8"-14	28.2	38.6	19.6	12.3	12.3	28.6
UPEF-5SA-12	3/4"	18/20	1 1/16"12	1 1/16"12	32.5	43.9	22.3	15.5	15.5	34.9
UPEF-5SA-16	1"	25	1 5/16"-12	1 5/16"-12	37.3	47.2	23.5	21.4	21.4	41.3
UPEF-5SA-20	1 1/4"	30/32	1 5/8"-12	1 5/8"-12	40.4	48.5	24.7	27.4	27.4	50.8
UPEF-5SA-24	1 1/2"	38	1 7/8"-12	1 7/8"-12	45.2	48.5	27.9	33.3	33.3	56.4

## JIC 37° FLARE x BSP'P' POSITIONAL 45° ELBOW



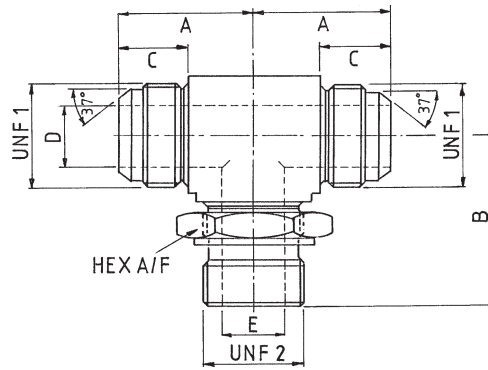
Part No.	TUBE OD INCH	TUBE OD MM	THREAD SIZE UNF	BSP'P' THREAD SIZE G	A	B	C	D	E	HEX
UPEF-5BP-4-4	1/4"	6	7/16"-20	1/4"	19.1	27.4	14.3	4.4	5.1	19.1
UPEF-5BP-5-4	5/16"	8	1/2"-20	1/4"	19.6	27.4	14.3	5.9	5.1	19.1
UPEF-5BP-6-6	3/8"	10	9/16"-18	3/8"	21.1	29.1	14.5	7.5	8.1	22.2
UPEF-5BP-8-8	1/2"	12	3/4"-16	1/2"	24.9	33.1	17.1	9.9	11.1	28.6
UPEF-5BP-10	5/8"	14/15/16	7/8"-14	1/2"	28.2	38.6	19.6	12.3	11.1	28.6
UPEF-5BP-12	3/4"	18/20	1 1/16"12	3/4"	32.5	43.9	22.3	15.5	16.6	35.1
UPEF-5BP-16	1"	25	1 5/16"-12	1"	37.3	47.2	23.5	21.4	22.2	44.4
UPEF-5BP-20	1 1/4"	30/32	1 5/8"-12	1 1/4"	40.4	48.5	24.7	27.4	28.6	50.8
UPEF-5BP-24	1 1/2"	38	1 7/8"-12	1 1/2"	45.2	48.5	27.9	33.3	33.3	63.5

## JIC 37° FLARE x METRIC POSITIONAL 45° ELBOW



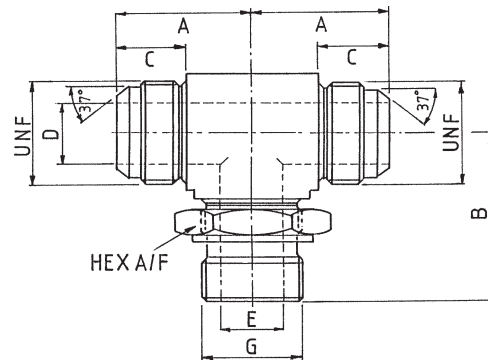
Part No.	TUBE OD INCH	TUBE OD MM	THREAD SIZE UNF	METRIC THREAD SIZE M	A	B	C	D	E	HEX
UPEF-5M-4-10	1/4"	6	7/16"-20	10 x 1	19.1	27.4	14.3	4.4	4.7	15.9
UPEF-5M-5-12	5/16"	8	1/2"-20	12 x 1.5	19.6	27.4	14.3	5.9	4.7	18.1
UPEF-5M-6-14	3/8"	10	9/16"-18	14 x 1.5	21.1	29.1	14.5	7.5	7.2	19.1
UPEF-5M-8-16	1/2"	12	3/4"-16	16 x 1.5	24.9	33.1	17.1	9.9	7.9	19.1
UPEF-5M-10-22	5/8"	14/15/16	7/8"-14	22 x 1.5	28.2	38.6	19.6	12.3	12.3	27.1
UPEF-5M-12-27	3/4"	18/20	1 1/16"12	27 x 2	32.5	43.9	22.3	15.5	18.9	34.9
UPEF-5M-16-33	1"	25	1 5/16"-12	33 x 2	37.3	47.2	23.5	21.4	21.4	38.1
UPEF-5M-20-42	1 1/4"	30/32	1 5/8"-12	42 x 2	40.4	48.5	24.7	27.4	27.4	48.1
UPEF-5M-24-50	1 1/2"	38	1 7/8"-12	50 x 2	45.2	48.5	27.9	33.3	33.3	63.5

## JIC 37° FLARE x SAE POSITIONAL BRANCH TEE



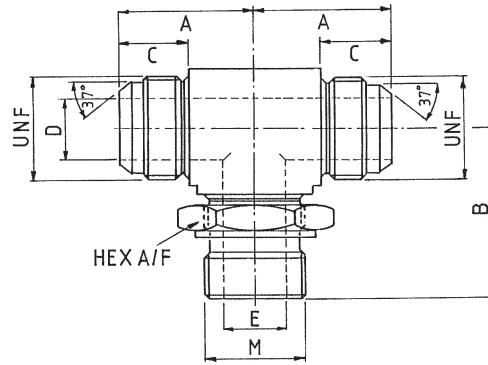
Part No.	TUBE OD INCH	TUBE OD MM	THREAD SIZE UNF 1	THREAD SIZE UNF 2	A	B	C	D	E	HEX
UPBT-5SA-4-4	1/4"	6	7/16"-20	7/16"-20	22.6	26.2	14.3	4.4	4.4	18.1
UPBT-5SA-5-4	5/16"	8	1/2"-20	7/16"-20	24.1	28.7	14.3	5.9	4.4	18.1
UPBT-5SA-6-6	3/8"	10	9/16"-18	9/16"-18	26.9	31.8	14.5	7.5	7.5	22.2
UPBT-5SA-8-8	1/2"	12	3/4"-16	3/4"-16	31.8	36.8	17.1	9.9	9.9	25.6
UPBT-5SA-10	5/8"	14/15/16	7/8"-14	7/8"-14	36.8	43.2	19.6	12.3	12.3	28.6
UPBT-5SA-12	3/4"	18/20	1 1/16"12	1 1/16"12	42.2	49.3	22.3	15.5	15.5	34.9
UPBT-5SA-16	1"	25	1 5/16"-12	1 5/16"-12	46.1	52.1	23.5	21.4	21.4	41.3
UPBT-5SA-20	1 1/4"	30/32	1 5/8"-12	1 5/8"-12	52.3	57.2	24.7	27.4	27.4	50.8
UPBT-5SA-24	1 1/2"	38	1 7/8"-12	1 7/8"-12	59.2	60.7	27.9	33.3	33.3	56.4

## JIC 37° FLARE x BSP'P' POSITIONAL BRANCH TEE



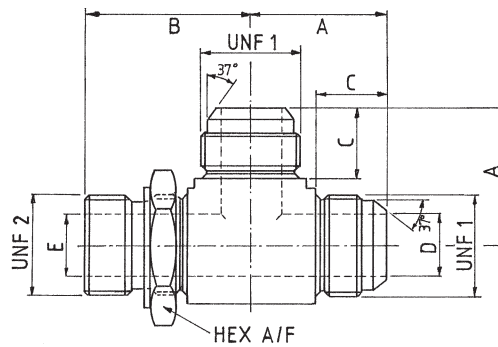
Part No.	TUBE OD INCH	TUBE OD MM	THREAD SIZE UNF	BSP'P' THREAD SIZE G	A	B	C	D	E	HEX
UPBT-5BP-4-4	1/4"	6	7/16"-20	1/4"	22.6	26.2	14.3	4.4	5.1	19.1
UPBT-5BP-5-4	5/16"	8	1/2"-20	1/4"	24.1	28.7	14.3	5.9	5.1	19.1
UPBT-5BP-6-6	3/8"	10	9/16"-18	3/8"	26.9	31.8	14.5	7.5	8.1	22.2
UPBT-5BP-8-8	1/2"	12	3/4"-16	1/2"	31.8	36.8	17.1	9.9	11.1	28.6
UPBT-5BP-10	5/8"	14/15/16	7/8"-14	1/2"	36.8	43.2	19.6	12.3	11.1	28.6
UPBT-5BP-12	3/4"	18/20	1 1/16"12	3/4"	42.2	49.3	22.3	15.5	16.6	35.1
UPBT-5BP-16	1"	25	1 5/16"-12	1"	46.1	52.1	23.5	21.4	22.2	44.4
UPBT-5BP-20	1 1/4"	30/32	1 5/8"-12	1 1/4"	52.3	57.2	24.7	27.4	28.6	50.8
UPBT-5BP-24	1 1/2"	38	1 7/8"-12	1 1/2"	59.2	60.7	27.9	33.3	33.3	63.5

# JIC 37° FLARE x METRIC POSITIONAL BRANCH TEE



Part No.	TUBE OD INCH	TUBE OD MM	THREAD SIZE UNF	METRIC THREAD SIZE M	A	B	C	D	E	HEX
UPBT-5M-4-10	1/4"	6	7/16"-20	10 x 1.5	22.6	26.2	14.3	4.4	4.7	15.9
UPBT-5M-5-12	5/16"	8	1/2"-20	12 x 1.5	24.1	28.7	14.3	5.9	4.7	18.1
UPBT-5M-6-14	3/8"	10	9/16"-18	14 x 1.5	26.9	31.8	14.5	7.5	7.2	19.1
UPBT-5M-8-16	1/2"	12	3/4"-16	16 x 1.5	31.8	36.8	17.1	9.9	7.9	19.1
UPBT-5M-10-22	5/8"	14/15/16	7/8"-14	22 x 1.5	36.8	43.2	19.6	12.3	12.3	27.1
UPBT-5M-12-27	3/4"	18/20	1 1/16"12	27 x 2	42.2	49.3	22.3	15.5	18.9	34.9
UPBT-5M-16-33	1"	25	1 5/16"-12	33 x 2	46.1	52.1	23.5	21.4	21.4	38.1
UPBT-5M-20-42	1 1/4"	30/32	1 5/8"-12	42 x 2	52.3	57.2	24.7	27.4	27.4	48.1
UPBT-5M-24-50	1 1/2"	38	1 7/8"-12	50 x 2	59.2	60.7	27.9	33.3	33.3	63.5

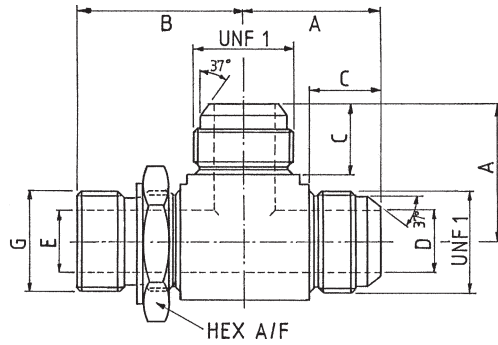
# JIC 37° FLARE x SAE POSITIONAL RUN TEE



Part No.	TUBE OD INCH	TUBE OD MM	THREAD SIZE UNF 1	THREAD SIZE UNF 2	A	B	C	D	E	HEX
UPRT-5SA-4-4	1/4"	6	7/16"-20	7/16"-20	22.6	26.2	14.3	4.4	4.4	18.1
UPRT-5SA-5-4	5/16"	8	1/2"-20	7/16"-20	24.1	28.7	14.3	5.9	4.4	18.1
UPRT-5SA-6-6	3/8"	10	9/16"-18	9/16"-18	26.9	31.8	14.5	7.5	7.5	22.2
UPRT-5SA-8-8	1/2"	12	3/4"-16	3/4"-16	31.8	36.8	17.1	9.9	9.9	25.6
UPRT-5SA-10	5/8"	14/15/16	7/8"-14	7/8"-14	36.8	43.2	19.6	12.3	12.3	28.6
UPRT-5SA-12	3/4"	18/20	1 1/16"12	1 1/16"12	42.2	49.2	22.3	15.5	15.5	34.9
UPRT-5SA-16	1"	25	1 5/16"-12	1 5/16"-12	46.1	52.1	23.5	21.4	21.4	41.3
UPRT-5SA-20	1 1/4"	30/32	1 5/8"-12	1 5/8"-12	52.3	57.2	24.7	27.4	27.4	50.8
UPRT-5SA-24	1 1/2"	38	1 7/8"-12	1 7/8"-12	59.2	60.7	27.9	33.3	33.3	56.4

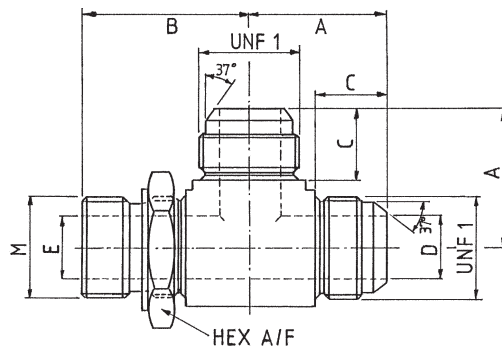


# JIC 37° FLARE x BSP'P' POSITIONAL RUN TEE



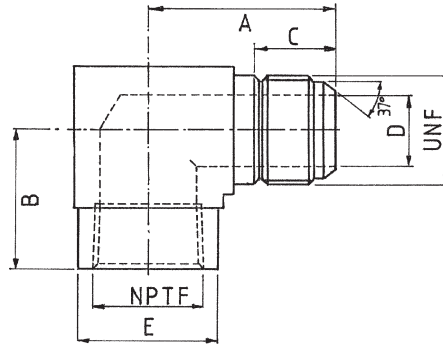
Part No.	TUBE OD INCH	TUBE OD MM	THREAD SIZE UNF	BSP'P' THREAD SIZE G	A	B	C	D	E	HEX
UPRT-5BP-4-4	1/4"	6	7/16"-20	1/4"	22.6	26.2	14.3	4.4	5.1	19.1
UPRT-5BP-5-4	5/16"	8	1/2"-20	1/4"	24.1	28.7	14.3	5.9	5.1	19.1
UPRT-5BP-6-6	3/8"	10	9/16"-18	3/8"	26.9	31.8	14.5	7.5	8.1	22.2
UPRT-5BP-8-8	1/2"	12	3/4"-16	1/2"	31.8	36.8	17.1	9.9	11.1	28.6
UPRT-5BP-10	5/8"	14/15/16	7/8"-14	1/2"	36.8	43.2	19.6	12.3	11.1	28.6
UPRT-5BP-12	3/4"	18/20	1 1/16"12	3/4"	42.2	49.3	22.3	15.5	16.6	35.1
UPRT-5BP-16	1"	25	1 5/16"-12	1"	46.1	52.1	23.5	21.4	22.2	44.4
UPRT-5BP-20	1 1/4"	30/32	1 5/8"-12	1 1/4"	52.3	57.2	24.7	27.4	28.6	50.8
UPRT-5BP-24	1 1/2"	38	1 7/8"-12	1 1/2"	59.2	60.7	27.9	33.3	33.3	63.5

# JIC 37° FLARE x METRIC POSITIONAL RUN TEE



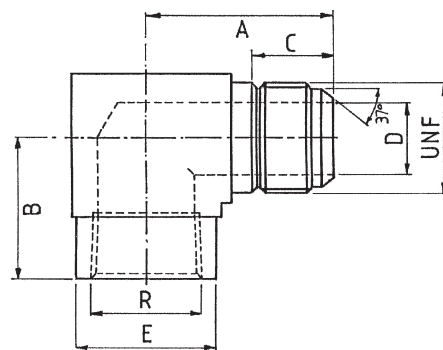
Part No.	TUBE OD INCH	TUBE OD MM	THREAD SIZE UNF	METRIC THREAD SIZE M	A	B	C	D	E	HEX
UPRT-5M-4-10	1/4"	6	7/16"-20	10 x 1.5	22.6	26.2	14.3	4.4	4.7	15.9
UPRT-5M-5-12	5/16"	8	1/2"-20	12 x 1.5	24.1	28.7	14.3	5.9	4.7	18.1
UPRT-5M-6-14	3/8"	10	9/16"-18	14 x 1.5	26.9	31.8	14.5	7.5	7.2	19.1
UPRT-5M-8-16	1/2"	12	3/4"-16	16 x 1.5	31.8	36.8	17.1	9.9	7.9	19.1
UPRT-5M-10-22	5/8"	14/15/16	7/8"-14	22 x 1.5	36.8	43.2	19.6	12.3	12.3	27.1
UPRT-5M-12-27	3/4"	18/20	1 1/16"12	27 x 2	42.2	49.3	22.3	15.5	18.9	34.9
UPRT-5M-16-33	1"	25	1 5/16"-12	33 x 2	46.1	52.1	23.5	21.4	21.4	38.1
UPRT-5M-20-42	1 1/4"	30/32	1 5/8"-12	42 x 2	52.3	57.2	24.7	27.4	27.4	48.1
UPRT-5M-24-50	1 1/2"	38	1 7/8"-12	50 x 2	59.2	60.7	27.9	33.3	33.3	63.5

## JIC 37° FLARE x NPT'F' FIXED FEMALE 90° ELBOW



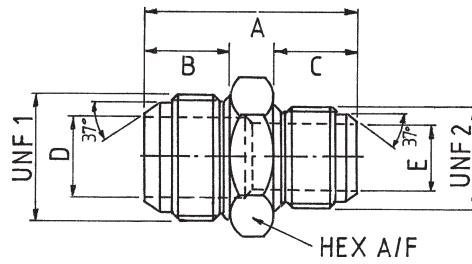
Part No.	TUBE OD INCH	TUBE OD MM	THREAD SIZE UNF	THREAD SIZE NPT'F'	A	B	C	D	E
UFE-5NT-4-4	1/4"	6	7/16"-20	1/4"	27.4	16.8	14.3	4.4	19.1
UFE-5NT-5-4	5/16"	8	1/2"-20	1/4"	27.4	16.8	14.3	5.9	19.1
UFE-5NT-6-6	3/8"	10	9/16"-18	3/8"	31.2	22.4	14.5	7.5	19.1
UFE-5NT-8-8	1/2"	12	3/4"-16	1/2"	36.1	25.9	17.1	9.9	28.7
UFE-5NT-10	5/8"	14/15/16	7/8"-14	1/2"	41.7	31.2	19.6	12.3	28.7
UFE-5NT-12	3/4"	18/20	1 1/16"-12	3/4"	48.1	34.5	22.3	15.5	33.8
UFE-5NT-16	1"	25	1 5/16"-12	1"	55.1	41.1	23.5	21.4	41.8
UFE-5NT-20	1 1/4"	30/32	1 5/8"-12	1 1/4"	59.2	43.2	24.7	27.4	47.6
UFE-5NT-24	1 1/2"	38	1 7/8"-12	1 1/2"	73.4	52.8	27.9	33.3	65.6

## JIC 37° FLARE x BSPT FIXED FEMALE 90° ELBOW



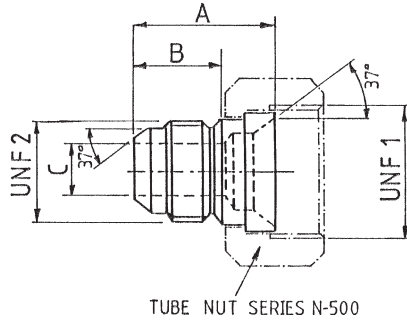
Part No.	TUBE OD INCH	TUBE OD MM	THREAD SIZE UNF	BSP'T' THREAD SIZE R	A	B	C	D	E
UFE-5BT-4-4	1/4"	6	7/16"-20	1/4"	27.4	16.8	14.3	4.4	19.1
UFE-5BT-5-4	5/16"	8	1/2"-20	1/4"	27.4	16.8	14.3	5.9	19.1
UFE-5BT-6-6	3/8"	10	9/16"-18	3/8"	31.2	22.4	14.5	7.5	19.1
UFE-5BT-8-8	1/2"	12	3/4"-16	1/2"	36.1	25.9	17.1	9.9	28.7
UFE-5BT-10	5/8"	14/15/16	7/8"-14	1/2"	41.7	31.2	19.6	12.3	28.7
UFE-5BT-12	3/4"	18/20	1 1/16"-12	3/4"	48.1	34.5	22.3	15.5	33.8
UFE-5BT-16	1"	25	1 5/16"-12	1"	55.1	41.1	23.5	21.4	41.8
UFE-5BT-20	1 1/4"	30/32	1 5/8"-12	1 1/4"	59.2	43.2	24.7	27.4	47.6
UFE-5BT-24	1 1/2"	38	1 7/8"-12	1 1/2"	73.4	52.8	27.9	33.3	65.6

# JIC 37° FLARE REDUCING UNION

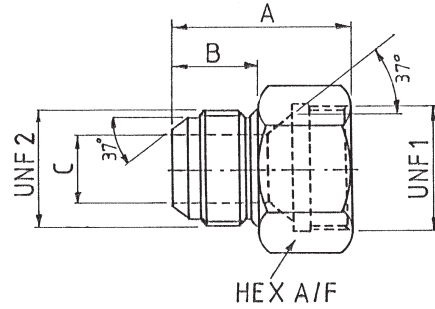


Part No.	TUBE OD INCH	TUBE OD MM	THREAD SIZE UNF 1	THREAD SIZE UNF 2	A	B	C	D	E	HEX
UR-500-5-4	5/16" x 1/4"	8 x 6	1/2"-20	7/16"-20	34.9	14.3	14.3	5.2	4.4	14.3
UR-500-6-4	3/8" x 1/4"	10 x 6	9/16"-18	7/16"-20	35.2	14.5	14.3	7.5	4.4	15.9
UR-500-6-5	3/8" x 5/16"	10 x 8	9/16"-18	1/2"-20	35.2	14.5	14.3	7.5	5.9	15.9
UR-500-8-4	1/2" x 1/4"	12 x 6	3/4"-16	7/16"-20	37.8	17.1	14.4	9.9	4.4	22.2
UR-500-8-5	1/2" x 5/16"	12 x 8	3/4"-16	1/2"-20	37.8	17.1	14.3	9.9	5.9	22.2
UR-500-8-6	1/2" x 3/8"	12 x 10	3/4"-16	9/16"-18	37.9	17.1	14.5	9.9	7.5	22.2
UR-500-10-6	5/8" x 3/8"	14/15/16 x 10	7/8"-14	9/16"-18	42.1	19.6	14.5	12.3	7.5	25.6
UR-500-10-8	5/8" x 1/2"	14/15/16 x 12	7/8"-14	3/4"-16	44.6	19.6	17.1	12.3	9.9	25.6
UR-500-12-8	3/4" x 1/2"	18/20 x 12	1 1/16"-12	3/4"-16	49.1	22.3	17.1	15.5	9.9	28.6
UR-500-12-10	3/4" x 5/8"	18/20 x 14/15/16	1 1/16"-12	7/8"-14	51.9	22.3	19.6	15.5	12.3	28.6
UR-500-16-10	1" x 5/8"	25 x 14/15/16	1 5/16"-12	7/8"-14	52.4	23.2	19.6	21.4	12.3	34.9
UR-500-16-12	1" x 3/4"	25 x 18/20	1 5/16"-12	1 1/16"-12	56.1	23.2	22.3	21.4	15.5	34.9
UR-500-20-12	1 1/4" x 3/4"	30/32 x 18/20	1 5/8"-12	1 1/16"-12	59.2	24.7	22.3	27.3	15.5	44.4
UR-500-20-16	1 1/4" x 1"	30/32 x 25	1 5/8"-12	1 5/16"-12	60.4	24.7	23.5	27.3	21.4	44.4
UR-500-24-16	1 1/2" x 1"	38 x 25	1 7/8"-12	1 5/16"-12	65.4	27.9	23.5	33.3	21.4	50.8
UR-500-24-20	1 1/2" x 1 1/4"	38 x 30/32	1 7/8"-12	1 5/8"-12	66.6	27.9	24.7	33.3	27.3	50.8

# JIC 37° FLARE TUBE END REDUCER



**Type 1**

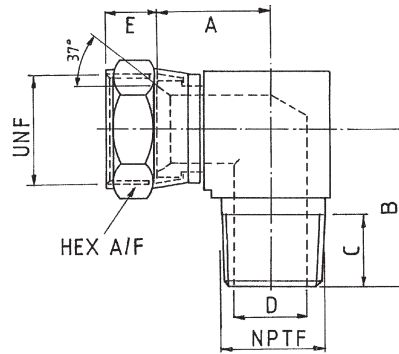


**Type 2**

Part No.	TUBE OD INCH	TUBE OD MM	THREAD SIZE UNF 1	THREAD SIZE UNF 2	A	B	C	HEX
TR-500-5-4*	5/16" x 1/4"	8 x 6	1/2"-20	7/16"-20	30.6	14.3	4.4	15.9
TR-500-6-4	3/8" x 1/4"	10 x 6	9/16"-18	7/16"-20	26.2	14.3	4.4	0
TR-500-6-5*	3/8" x 5/16"	10 x 8	9/16"-18	1/2"-20	33.7	14.3	5.9	18.1
TR-500-8-4	1/2" x 1/4"	12 x 6	3/4"-16	7/16"-20	26.2	14.3	4.4	0
TR-500-8-5	1/2" x 5/16"	12 x 8	3/4"-16	1/2"-20	26.2	14.3	5.9	0
TR-500-8-6	1/2" x 3/8"	12 x 10	3/4"-16	9/16"-18	26.3	14.5	7.5	0
TR-500-10-6	5/8" x 3/8"	14/15/16 x 10	7/8"-14	9/16"-18	28.2	14.5	7.5	0
TR-500-10-8*	5/8" x 1/2"	14/15/16 x 12	7/8"-14	3/4"-16	36.2	17.1	9.9	28.6
TR-500-12-4	3/4" x 1/4"	18/20 x 12	1 1/16"-12	7/16"-20	29.8	14.3	4.4	0
TR-500-12-5	3/4" x 5/16"	18/20 x 8	1 1/16"-12	1/2"-20	29.8	14.3	5.9	0
TR-500-12-6	3/4" x 3/8"	18/20 x 10	1 1/16"-12	9/16"-18	30.1	14.5	7.5	0
TR-500-12-8	3/4" x 1/2"	18/20 x 12	1 1/16"-12	3/4"-16	33.3	17.1	9.9	0
TR-500-12-10*	3/4" x 5/8"	18/20 x 14/15/16	1 1/16"-12	7/8"-14	45.1	19.6	12.3	31.7
TR-500-16-8	1" x 1/2"	25 x 12	1 5/16"-12	3/4"-16	35.6	17.1	9.9	0
TR-500-16-10	1" x 5/8"	25 x 14/15/16	1 5/16"-12	7/8"-14	37.5	19.6	12.3	0
TR-500-16-12	1" x 3/4"	25 x 18/20	1 5/16"-12	1 1/16"-12	40.2	22.3	15.5	0
TR-500-20-10	1 1/4" x 5/8"	30/32 x 14/15/16	1 5/8"-14	7/8"-14	37.9	19.6	12.3	0
TR-500-20-12	1 1/4" x 3/4"	30/32 x 18/20	1 5/8"-12	1 1/16"-12	40.6	22.3	15.5	0
TR-500-20-16	1 1/4" x 1"	30/32 x 25	1 5/8"-12	1 5/16"-12	41.8	23.5	21.4	0
TR-500-24-16	1 1/2" x 1"	38 x 25	1 7/8"-12	1 5/16"-12	43.2	23.5	21.4	0
TR-500-24-20	1 1/2" x 1 1/4"	38 x 30/32	1 7/8"-12	1 5/8"-12	44.3	24.7	27.4	0

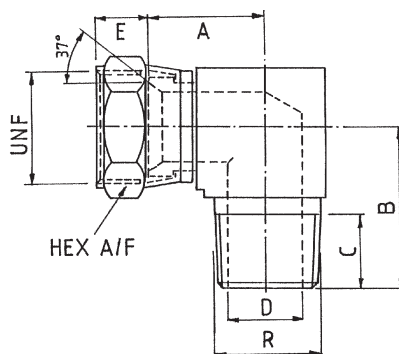
\* Denotes items will be supplied as Type 2.

## JIC 37° FLARE SWIVEL x NPT'F' MALE 90° ELBOW



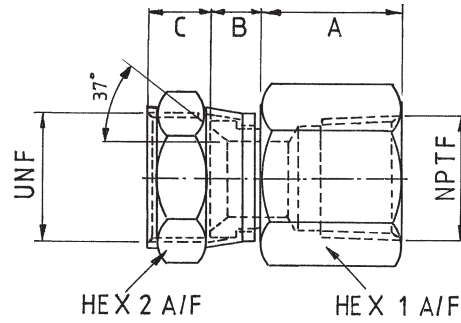
Part No.	TUBE OD INCH	TUBE OD MM	THREAD SIZE UNF	THREAD SIZE NPT'F'	A	B	C	D	E	HEX
SEM-5NT-4-4	1/4"	6	7/16"-20	1/4"	17.4	19.8	12.7	7.2	9.8	15.9
SEM-5NT-5-4	5/16"	8	1/2"-20	1/4"	22.1	19.8	12.7	7.2	8.5	18.1
SEM-5NT-6-6	3/8"	10	9/16"-18	3/8"	23.5	27.7	12.7	10.3	9.4	18.1
SEM-5NT-8-8	1/2"	12	3/4"-16	1/2"	25.8	31.1	16.1	13.5	10.7	23.4
SEM-5NT-10	5/8"	14/15/16	7/8"-14	1/2"	29.1	37.3	16.1	13.5	13.7	28.6
SEM-5NT-12	3/4"	18/20	1 1/16"12	3/4"	31.5	40.4	19.1	19.1	14.2	31.7
SEM-5NT-16	1"	25	1 5/16"-12	1"	36.6	50.1	20.6	23.8	16.4	38.1
SEM-5NT-20	1 1/4"	30/32	1 5/8"-12	1 1/4"	44.4	60.5	25.4	31.7	15.9	50.8
SEM-5NT-24	1 1/2"	38	1 7/8"-12	1 1/2"	46.6	67.5	25.4	38.1	20.1	56.4

## JIC 37° FLARE SWIVEL x BSP'T' MALE 90° ELBOW



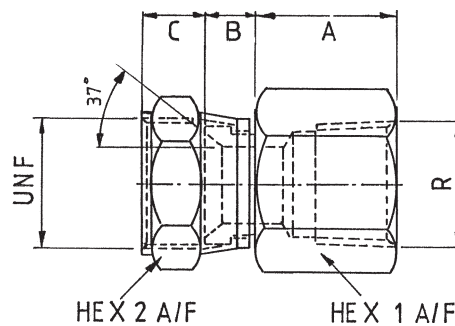
Part No.	TUBE OD INCH	TUBE OD MM	THREAD SIZE UNF	BSPT THREAD SIZE R	A	B	C	D	E	HEX
SEM-5BT-4-4	1/4"	6	7/16"-20	1/4"	17.4	19.8	12.7	7.2	9.8	15.9
SEM-5BT-5-4	5/16"	8	1/2"-20	1/4"	22.1	19.8	12.7	7.2	8.5	18.1
SEM-5BT-6-6	3/8"	10	9/16"-18	3/8"	23.5	27.7	12.7	10.3	9.4	18.1
SEM-5BT-8-8	1/2"	12	3/4"-16	1/2"	25.8	31.1	16.1	13.5	10.7	23.4
SEM-5BT-10	5/8"	14/15/16	7/8"-14	1/2"	29.1	37.3	16.1	13.5	13.7	28.6
SEM-5BT-12	3/4"	18/20	1 1/16"12	3/4"	31.5	40.4	19.1	19.1	14.2	31.7
SEM-5BT-16	1"	25	1 5/16"-12	1"	36.6	50.1	20.6	23.8	16.4	38.1
SEM-5BT-20	1 1/4"	30/32	1 5/8"-12	1 1/4"	44.4	60.5	25.4	31.7	15.9	50.8
SEM-5BT-24	1 1/2"	38	1 7/8"-12	1 1/2"	46.6	67.5	25.4	38.1	20.1	56.4

# JIC 37° FLARE SWIVEL FEMALE x NPT'F' FIXED FEMALE CONNECTOR



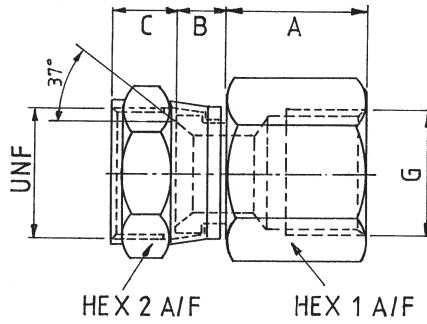
Part No.	TUBE OD INCH	TUBE OD MM	THREAD SIZE UNF	THREAD SIZE NPT'F'	A	B	C	HEX 1	HEX 2
FSFF-5NT-4-4	1/4"	6	7/16"-20	1/4"	22.2	8.4	9.8	19.1	15.9
FSFF-5NT-5-4	5/16"	8	1/2"-20	1/4"	22.2	10.6	8.5	19.1	18.1
FSFF-5NT-6-6	3/8"	10	9/16"-18	3/8"	25.4	10.4	9.4	22.2	18.1
FSFF-5NT-8-8	1/2"	12	3/4"-16	1/2"	28.6	12.7	10.7	28.6	23.4
FSFF-5NT-10	5/8"	14/15/16	7/8"-14	1/2"	28.6	12.9	13.7	28.6	28.6
FSFF-5NT-12	3/4"	18/20	1 1/16"-12	3/4"	30.1	14.9	14.2	34.9	31.7
FSFF-5NT-16	1"	25	1 5/16"-12	1"	36.3	14.9	16.4	41.3	38.1
FSFF-5NT-20	1 1/4"	30/32	1 5/8"-12	1 1/4"	38.1	15.7	15.9	50.8	50.8
FSFF-5NT-24	1 1/2"	38	1 7/8"-12	1 1/2"	39.5	16.5	20.1	60.3	56.4

# JIC 37° FLARE SWIVEL FEMALE x BSP'T' FIXED FEMALE CONNECTOR



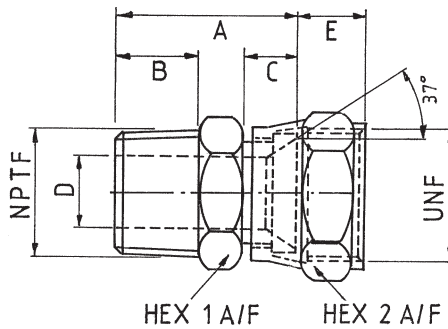
Part No.	TUBE OD INCH	TUBE OD MM	THREAD SIZE UNF	BSP'T' THREAD SIZE R	A	B	C	HEX 1	HEX 2
FSFF-5BT-4-4	1/4"	6	7/16"-20	1/4"	22.2	8.4	9.8	19.1	15.9
FSFF-5BT-5-4	5/16"	8	1/2"-20	1/4"	22.2	10.6	8.5	19.1	18.1
FSFF-5BT-6-6	3/8"	10	9/16"-18	3/8"	25.4	10.4	9.4	22.2	18.1
FSFF-5BT-8-8	1/2"	12	3/4"-16	1/2"	28.6	12.7	10.7	28.6	23.4
FSFF-5BT-10	5/8"	14/15/16	7/8"-14	1/2"	28.6	12.9	13.7	28.6	28.6
FSFF-5BT-12	3/4"	18/20	1 1/16"-12	3/4"	30.1	14.9	14.2	34.9	31.7
FSFF-5BT-16	1"	25	1 5/16"-12	1"	36.3	14.9	16.4	41.3	38.1
FSFF-5BT-20	1 1/4"	30/32	1 5/8"-12	1 1/4"	38.1	15.7	15.9	50.8	50.8
FSFF-5BT-24	1 1/2"	38	1 7/8"-12	1 1/2"	39.5	16.5	20.1	60.3	56.4

# JIC 37° FLARE SWIVEL FEMALE x BSP'P' FIXED FEMALE CONNECTOR



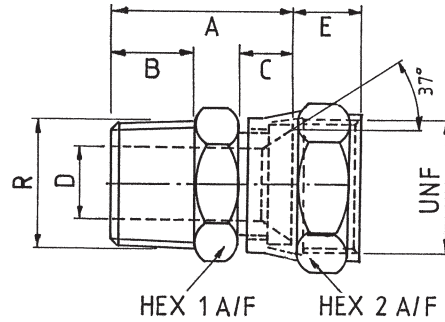
Part No.	TUBE OD INCH	TUBE OD MM	THREAD SIZE UNF	BSP'P' THREAD SIZE G	A	B	C	HEX 1	HEX 2
FSFF-5BP-4-4	1/4"	6	7/16"-20	1/4"	19.1	8.4	9.8	19.1	15.9
FSFF-5BP-5-4	5/16"	8	1/2"-20	1/4"	19.1	10.6	8.5	19.1	18.1
FSFF-5BP-6-6	3/8"	10	9/16"-18	3/8"	25.4	10.4	9.4	22.2	18.1
FSFF-5BP-8-8	1/2"	12	3/4"-16	1/2"	28.1	12.7	10.7	28.6	23.4
FSFF-5BP-10	5/8"	14/15/16	7/8"-14	1/2"	28.1	12.9	13.7	28.6	28.6
FSFF-5BP-12	3/4"	18/20	1 1/16"-12	3/4"	30.3	14.9	14.2	31.7	31.7
FSFF-5BP-16	1"	25	1 5/16"-12	1"	32.3	14.9	16.4	41.3	38.1
FSFF-5BP-20	1 1/4"	30/32	1 5/8"-12	1 1/4"	35.4	15.7	15.9	50.8	50.8
FSFF-5BP-24	1 1/2"	38	1 7/8"-12	1 1/2"	37.2	16.5	20.1	56.4	56.4

# JIC 37° FLARE SWIVEL FEMALE x NPT'F' MALE CONNECTOR



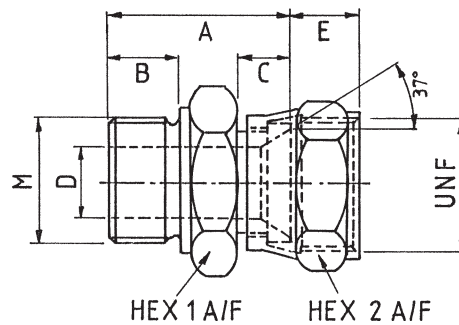
Part No.	TUBE OD INCH	TUBE OD MM	THREAD SIZE UNF	THREAD SIZE NPT'F'	A	B	C	D	E	HEX 1	HEX 2
FST-5NT-4-4	1/4"	6	7/16"-20	1/4"	27.4	12.7	8.4	7.2	9.8	15.9	15.9
FST-5NT-5-4	5/16"	8	1/2"-20	1/4"	29.2	12.7	10.6	7.2	8.5	15.9	18.1
FST-5NT-6-6	3/8"	10	9/16"-18	3/8"	31.1	14.2	10.4	10.3	9.4	18.1	18.1
FST-5NT-8-8	1/2"	12	3/4"-16	1/2"	36.5	15.9	12.7	13.5	10.7	22.2	23.4
FST-5NT-10	5/8"	14/15/16	7/8"-14	1/2"	36.7	15.9	12.9	12.3	13.7	22.2	28.6
FST-5NT-12	3/4"	18/20	1 1/16"-12	3/4"	46.7	22.2	14.9	18.2	14.2	28.6	31.7
FST-5NT-16	1"	25	1 5/16"-12	1"	47.8	23.8	14.9	23.8	16.4	34.9	38.1
FST-5NT-20	1 1/4"	30/32	1 5/8"-12	1 1/4"	50.8	23.9	15.7	31.7	15.9	44.4	50.8
FST-5NT-24	1 1/2"	38	1 7/8"-12	1 1/2"	53.5	23.9	16.5	38.1	20.1	50.8	56.4

# JIC 37° FLARE SWIVEL FEMALE x BSP'T' MALE CONNECTOR



Part No.	TUBE OD INCH	TUBE OD MM	THREAD SIZE UNF	BSP'T' THREAD SIZE R	A	B	C	D	E	HEX 1	HEX 2
FST-5BT-4-4	1/4"	6	7/16"-20	1/4"	27.4	12.7	8.4	7.2	9.8	15.9	15.9
FST-5BT-5-4	5/16"	8	1/2"-20	1/4"	29.2	12.7	10.6	7.2	8.5	15.9	18.1
FST-5BT-6-6	3/8"	10	9/16"-18	3/8"	31.1	14.2	10.4	10.3	9.4	18.1	18.1
FST-5BT-8-8	1/2"	12	3/4"-16	1/2"	36.5	15.9	12.7	13.5	10.7	22.2	23.4
FST-5BT-10	5/8"	14/15/16	7/8"-14	1/2"	36.7	15.9	12.9	12.3	13.7	22.2	28.6
FST-5BT-12	3/4"	18/20	1 1/16"-12	3/4"	46.7	22.2	14.9	18.2	14.2	28.6	31.7
FST-5BT-16	1"	25	1 5/16"-12	1"	47.8	23.8	14.9	23.8	16.4	34.9	38.1
FST-5BT-20	1 1/4"	30/32	1 5/8"-12	1 1/4"	50.8	23.9	15.7	31.7	15.9	44.4	50.8
FST-5BT-24	1 1/2"	38	1 7/8"-12	1 1/2"	53.5	23.9	16.5	38.1	20.1	50.8	56.4

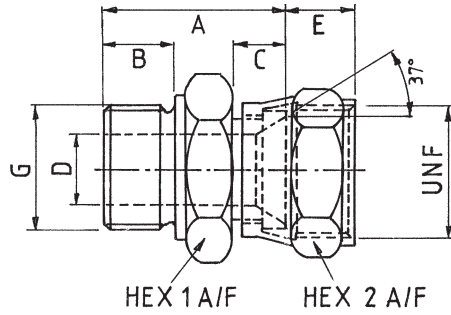
# JIC 37° FLARE SWIVEL FEMALE x METRIC MALE CONNECTOR



Part No.	TUBE OD INCH	TUBE OD MM	THREAD SIZE UNF	METRIC THREAD SIZE M	A	B	C	D	E	HEX 1	HEX 2
FSO-5M-4-10	1/4"	6	7/16"-20	10 x 1.5	22.8	8.1	8.4	4.4	9.8	15.9	15.9
FSO-5M-5-12	5/16"	8	1/2"-20	12 x 1.5	29.7	12.1	10.6	5.9	8.5	19.1	18.1
FSO-5M-6-14	3/8"	10	9/16"-18	14 x 1.5	28.8	12.1	10.4	6.5	9.4	19.1	18.1
FSO-5M-8-16	1/2"	12	3/4"-16	16 x 1.5	31.4	12.1	12.7	7.9	10.7	22.1	23.4
FSO-5M-10-22	5/8"	14/15/16	7/8"-14	22 x 1.5	34.9	14.1	12.9	12.3	13.7	28.6	28.6
FSO-5M-12-27	3/4"	18/20	1 1/16"-12	27 x 2	40.5	16.1	14.9	19.1	14.2	31.7	31.7
FSO-5M-16-33	1"	25	1 5/16"-12	33 x 2	43.7	16.1	14.9	21.4	16.4	41.1	38.1
FSO-5M-20-42	1 1/4"	30/32	1 5/8"-12	42 x 2	45.8	16.1	15.7	27.4	15.9	50.8	50.8
FSO-5M-24-50	1 1/2"	38	1 7/8"-12	50 x 2	46.6	16.1	16.5	33.3	20.1	56.2	56.4

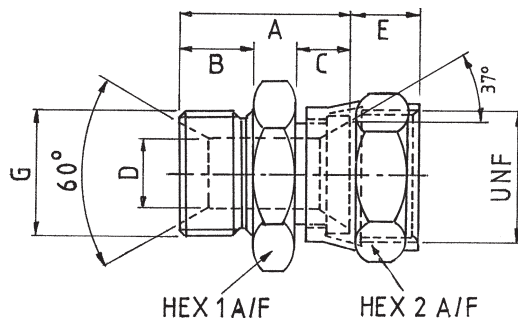


# JIC 37° FLARE SWIVEL FEMALE x BSP'P' (OR) MALE CONNECTOR



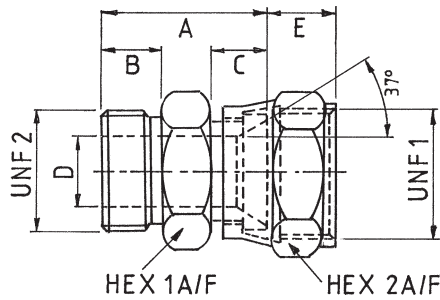
Part No.	TUBE OD INCH	TUBE OD MM	THREAD SIZE UNF	BSP'P' THREAD SIZE G	A	B	C	D	E	HEX 1	HEX 2
FSO-5BP-4-4	1/4"	6	7/16"-20	1/4"	27.7	11.1	8.4	4.7	9.8	19.1	15.9
FSO-5BP-5-4	5/16"	8	1/2"-20	1/4"	30.2	11.1	10.6	4.7	8.5	19.1	18.1
FSO-5BP-6-6	3/8"	10	9/16"-18	3/8"	33.4	12.5	10.4	7.9	9.4	22.2	18.1
FSO-5BP-8-8	1/2"	12	3/4"-16	1/2"	38.6	14.9	12.7	11.1	10.7	28.6	23.4
FSO-5BP-10	5/8"	14/15/16	7/8"-14	1/2"	38.8	14.9	12.9	11.1	13.7	28.6	28.6
FSO-5BP-12	3/4"	18/20	1 1/16"-12	3/4"	43.8	16.3	14.9	16.6	14.2	31.7	31.7
FSO-5BP-16	1"	25	1 5/16"-12	1"	49.3	19.1	14.9	22.2	16.4	41.3	38.1
FSO-5BP-20	1 1/4"	30/32	1 5/8"-12	1 1/4"	54.1	21.4	15.7	28.6	15.9	50.8	50.8
FSO-5BP-24	1 1/2"	38	1 7/8"-14	1 1/2"	56.1	22.5	16.5	33.3	20.1	56.4	56.4

# JIC 37° FLARE SWIVEL FEMALE x BSP'P' (CS) MALE CONNECTOR



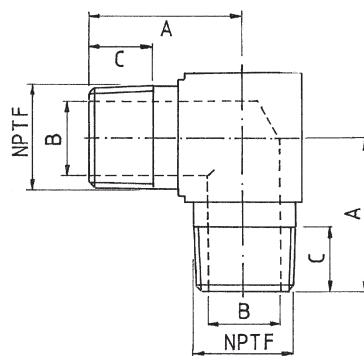
Part No.	TUBE OD INCH	TUBE OD MM	THREAD SIZE UNF	BSP'P' THREAD SIZE G	A	B	C	D	E	HEX 1	HEX 2
FSC-5BP-4-4	1/4"	6	7/16"-20	1/4"	28.6	10.6	8.4	4.7	9.8	19.1	15.9
FSC-5BP-5-4	5/16"	8	1/2"-20	1/4"	27.2	10.6	10.6	4.7	8.5	19.1	18.1
FSC-5BP-6-6	3/8"	10	9/16"-18	3/8"	30.4	12.1	10.4	7.9	9.4	22.2	18.1
FSC-5BP-8-8	1/2"	12	3/4"-16	1/2"	36.7	14.1	12.7	9.9	10.7	28.6	23.4
FSC-5BP-10	5/8"	14/15/16	7/8"-14	1/2"	36.7	14.5	12.9	11.1	13.7	28.6	28.6
FSC-5BP-12	3/4"	18/20	1 1/16"-12	3/4"	42.9	16.1	14.9	16.6	14.2	31.7	31.7
FSC-5BP-16	1"	25	1 5/16"-12	1"	45.5	19.1	14.9	21.4	16.4	41.3	38.1
FSC-5BP-20	1 1/4"	30/32	1 5/8"-12	1 1/4"	50.5	20.1	15.7	28.6	15.9	50.8	50.8
FSC-5BP-24	1 1/2"	38	1 7/8"-14	1 1/2"	52.6	22.5	16.5	33.3	20.1	56.4	56.4

# JIC 37° FLARE SWIVEL FEMALE x SAE MALE CONNECTOR



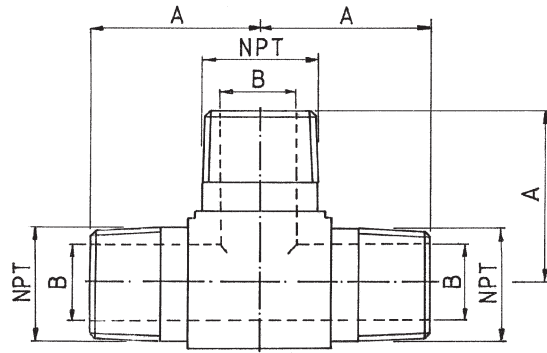
Part No.	TUBE OD INCH	TUBE OD MM	THREAD SIZE UNF 1	THREAD SIZE UNF 2	A	B	C	D	E	HEX 1	HEX 2
FSO-5SA-4-4	1/4"	6	7/16"-20	7/16"-20	24.7	9.3	8.4	3.9	9.8	14.3	15.9
FSO-5SA-5-4	5/16"	8	1/2"-20	7/16"-20	24.7	9.3	10.6	3.9	8.5	14.3	18.1
FSO-5SA-6-6	3/8"	10	9/16"-18	9/16"-18	28.6	10.1	10.4	7.5	9.4	18.1	18.1
FSO-5SA-8-8	1/2"	12	3/4"-16	3/4"-16	32.6	11.2	12.7	9.9	10.7	22.2	23.4
FSO-5SA-10	5/8"	14/15/16	7/8"-14	7/8"-14	36.4	12.7	12.9	12.3	13.7	25.6	28.6
FSO-5SA-12	3/4"	18/20	1 1/16"-12	1 1/16"-12	42.9	15.2	14.9	15.5	14.2	31.7	31.7
FSO-5SA-16	1"	25	1 5/16"-12	1 5/16"-12	42.9	15.2	14.9	21.4	16.4	38.1	38.1
FSO-5SA-20	1 1/4"	30/32	1 5/8"-12	1 5/8"-12	50.8	15.2	15.7	26.9	15.9	50.8	50.8
FSO-5SA-24	1 1/2"	38	1 7/8"-14	1 7/8"-14	53.1	15.2	16.5	33.3	20.1	56.4	56.4

# NPT MALE 90° ELBOW



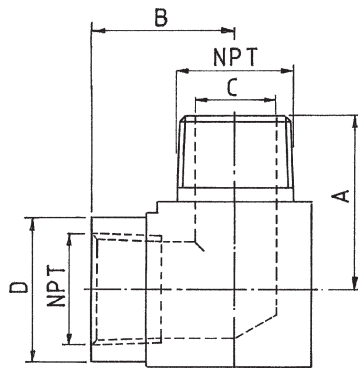
Part No.	THREAD SIZE NPT	A	B	C
ME-5NT-2	1/8"	20.6	4.7	14.4
ME-5NT-4	1/4"	28.4	7.1	14.4
ME-5NT-6	3/8"	31.7	10.3	14.5
ME-5NT-8	1/2"	38.1	13.5	17.7
ME-5NT-12	3/4"	41.2	18.3	22.4
ME-5NT-16	1"	50.8	23.8	23.5
ME-5NT-20	1 1/4"	60.5	22.2	24.7
ME-5NT-24	1 1/2"	67.8	38.1	27.9

# NPT MALE TEE



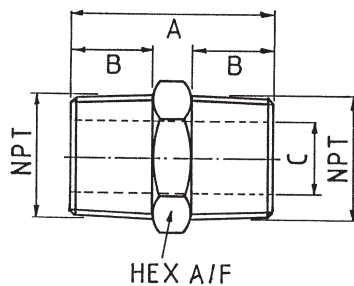
Part No.	THREAD SIZE NPT	A	B	C
MT-5NT-2	1/8"	20.6	4.7	14.4
MT-5NT-4	1/4"	28.4	7.1	14.4
MT-5NT-6	3/8"	31.7	10.3	14.5
MT-5NT-8	1/2"	38.1	13.5	17.7
MT-5NT-12	3/4"	41.2	18.3	22.4
MT-5NT-16	1"	50.8	23.8	23.5
MT-5NT-20	1 1/4"	60.5	22.2	24.7
MT-5NT-24	1 1/2"	67.8	38.1	27.9

# NPT MALE/FEMALE 90° ELBOW



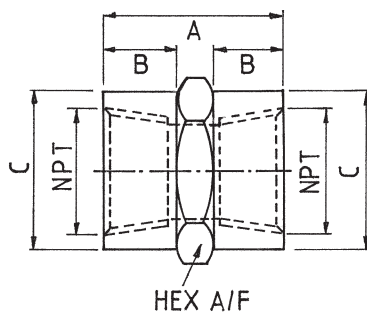
Part No.	THREAD SIZE NPT	A	B	C	D	E
MFE-5NT-2	1/8"	19.8	16.8	4.7	14.3	14.4
MFE-5NT-4	1/4"	27.7	22.4	7.1	14.3	14.4
MFE-5NT-6	3/8"	31.1	25.9	10.3	19.1	14.5
MFE-5NT-8	1/2"	37.3	31.2	13.5	22.2	17.7
MFE-5NT-12	3/4"	40.4	34.5	18.3	33.3	22.4
MFE-5NT-16	1"	50.1	41.1	23.8	41.3	23.5
MFE-5NT-20	1 1/4"	60.5	43.2	22.2	47.6	24.7
MFE-5NT-24	1 1/2"	67.1	52.8	38.1	65.1	27.9

## NPT MALE/MALE HEX NIPPLE



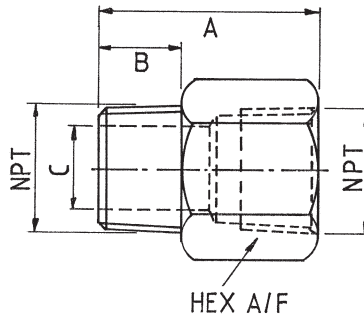
Part No.	THREAD SIZE NPT	A	B	C	HEX
HN-300-2	1/8"	25.4	9.5	3.2	12.7
HN-300-4	1/4"	31.7	12.7	4.8	15.9
HN-300-6	3/8"	33.3	12.7	7.9	18.1
HN-300-8	1/2"	39.7	15.9	11.1	22.2
HN-300-12	3/4"	44.4	17.5	12.7	28.6
HN-300-16	1"	50.8	20.6	15.9	34.9
HN-300-20	1 1/4"	58.7	22.2	28.6	44.4
HN-300-24	1 1/2"	60.3	22.2	30.1	50.8
HN-300-32	2"	65.1	23.8	38.1	63.5

## NPT FEMALE HEX COUPLING



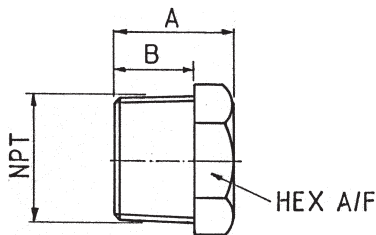
Part No.	THREAD SIZE NPT	A	B	C	HEX
C-5NT-2	1/8"	19.1	6.4	15.9	15.9
C-5NT-4	1/4"	29.2	11.1	19.1	19.1
C-5NT-6	3/8"	29.2	11.1	22.2	22.2
C-5NT-8	1/2"	38.6	15.1	28.6	28.6
C-5NT-12	3/4"	39.4	14.3	34.9	34.9
C-5NT-16	1"	48.3	19.1	41.3	41.3
C-5NT-20	1 1/4"	49.5	18.3	50.8	50.8
C-5NT-24	1 1/2"	49.5	17.4	60.3	60.3
C-5NT-32	2"	49.5	15.9	73.1	73.1

# NPT MALE/FEMALE CONNECTOR



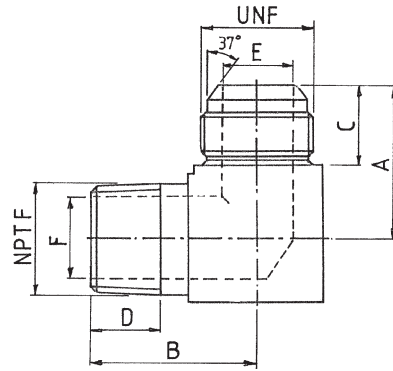
Part No.	THREAD SIZE NPT	A	B	C	HEX
FM-300-2	1/8"	28.6	9.5	4.7	15.9
FM-300-4	1/4"	34.9	12.7	7.1	19.1
FM-300-6	3/8"	36.5	12.7	10.3	22.2
FM-300-8	1/2"	44.4	15.9	12.7	28.6
FM-300-12	3/4"	47.6	17.4	18.2	34.9
FM-300-16	1"	55.5	20.6	23.8	44.6
FM-300-20	1 1/4"	60.5	22.2	32.4	57.2
FM-300-24	1 1/2"	61.9	22.2	38.1	63.5
FM-300-32	2"	73.1	26.9	49.1	76.2

# NPT HEX HEAD PLUG



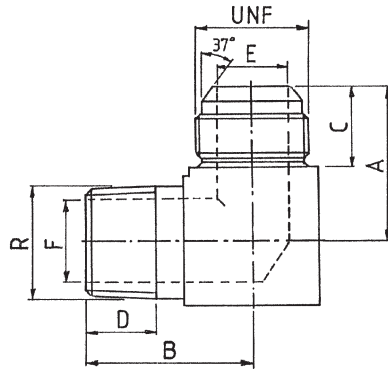
Part No.	THREAD SIZE NPT	A	B	HEX
HP-300-2	1/8"	15.9	9.5	12.7
HP-300-4	1/4"	19.1	12.7	15.9
HP-300-6	3/8"	20.6	12.7	18.1
HP-300-8	1/2"	23.9	15.9	22.2
HP-300-12	3/4"	27.1	17.5	28.6
HP-300-16	1"	30.1	20.6	34.9
HP-300-20	1 1/4"	36.5	22.2	44.4
HP-300-24	1 1/2"	38.1	22.2	50.8
HP-300-32	2"	41.3	23.8	63.5

# 37° FLARE JIC x NPT'F' MALE 90° ELBOW



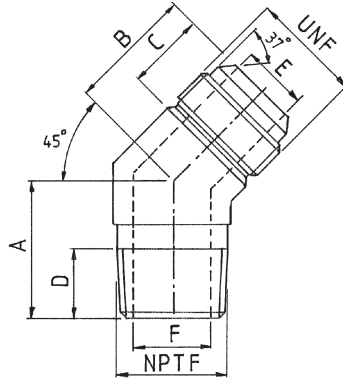
Part No.	TUBE OD INCH	TUBE OD METRIC	THREAD SIZE UNF	THREAD SIZE NPT'F'	A	B	C	D	E	F
UME-5NT-4-2	1/4"	6	7/16"-20	1/8"	23.4	20.6	14.4	9.5	4.3	4.3
UME-5NT-4-4	1/4"	6	7/16"-20	1/4"	27.7	28.5	14.4	12.7	4.3	7.1
UME-5NT-5-4	5/16"	8	1/2"-20	1/4"	27.7	28.5	14.4	12.7	5.2	7.1
UME-5NT-6-4	3/8"	10	9/16"-18	1/4"	27.7	28.5	14.5	12.7	7.5	7.5
UME-5NT-6-6	3/8"	10	9/16"-18	3/8"	29.9	31.7	14.5	12.7	7.5	10.3
UME-5NT-8-6	1/2"	12	3/4"-16	3/8"	32.5	31.7	17.7	12.7	9.9	11.5
UME-5NT-8-8	1/2"	12	3/4"-16	1/2"	32.5	38.1	17.7	15.9	9.9	13.5
UME-5NT-10	5/8"	14/15/16	7/8"-14	1/2"	37.6	38.1	19.6	15.9	12.3	13.9
UME-5NT-12	3/4"	18/20	1 1/16"-12	3/4"	42.9	41.1	22.4	15.9	15.5	18.2
UME-5NT-16	1"	25	1 5/16"-12	1"	46.7	50.8	23.5	20.6	21.4	23.8
UME-5NT-20	1 1/4"	30/32	1 5/8"-12	1 1/4"	53.1	61.1	24.7	25.4	27.4	31.7
UME-5NT-24	1 1/2"	38	1 7/8"-12	1 1/2"	59.9	67.8	27.9	23.8	33.3	38.1

# 37° FLARE JIC x BSP'T' MALE 90° ELBOW



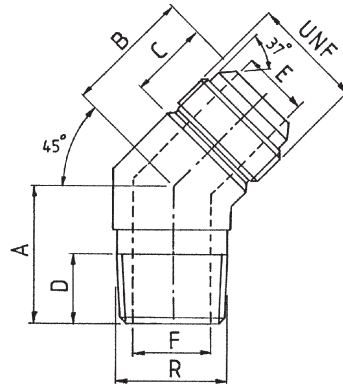
Part No.	TUBE OD INCH	TUBE OD METRIC	THREAD SIZE UNF	BSP'T' THREAD SIZE R	A	B	C	D	E	F
UME-5BT-4-2	1/4"	6	7/16"-20	1/8"	23.4	20.6	14.4	9.5	4.3	4.3
UME-5BT-4-4	1/4"	6	7/16"-20	1/4"	27.7	28.5	14.4	12.7	4.3	7.1
UME-5BT-5-4	5/16"	8	1/2"-20	1/4"	27.7	28.5	14.4	12.7	5.2	7.1
UME-5BT-6-4	3/8"	10	9/16"-18	1/4"	27.7	28.5	14.5	12.7	7.5	7.5
UME-5BT-6-6	3/8"	10	9/16"-18	3/8"	29.9	31.7	14.5	12.7	7.5	10.3
UME-5BT-8-6	1/2"	12	3/4"-16	3/8"	32.5	31.7	17.7	12.7	9.9	11.5
UME-5BT-8-8	1/2"	12	3/4"-16	1/2"	32.5	38.1	17.7	15.9	9.9	13.5
UME-5BT-10	5/8"	14/15/16	7/8"-14	1/2"	37.6	38.1	19.6	15.9	12.3	13.9
UME-5BT-12	3/4"	18/20	1 1/16"-12	3/4"	42.9	41.1	22.4	15.9	15.5	18.2
UME-5BT-16	1"	25	1 5/16"-12	1"	46.7	50.8	23.5	20.6	21.4	23.8
UME-5BT-20	1 1/4"	30/32	1 5/8"-12	1 1/4"	53.1	61.1	24.7	25.4	27.4	31.7
UME-5BT-24	1 1/2"	38	1 7/8"-12	1 1/2"	59.9	67.8	27.9	23.8	33.3	38.1

## 37° FLARE JIC x NPT'F' MALE 45° ELBOW



Part No.	TUBE OD INCH	TUBE OD MM	THREAD SIZE UNF	THREAD SIZE NPT'F'	A	B	C	D	E	F
UMEF-5NT-4-4	1/4"	6	7/16"-20	1/4"	16.3	18.3	14.4	12.7	4.3	7.1
UMEF-5NT-5-4	5/16"	8	1/2"-20	1/4"	16.3	19.6	14.4	12.7	5.2	7.1
UMEF-5NT-6-6	3/8"	10	9/16"-18	3/8"	21.8	21.1	14.5	12.7	7.5	10.3
UMEF-5NT-8-8	1/2"	12	3/4"-16	1/2"	24.1	24.9	17.7	15.9	9.9	13.5
UMEF-5NT-10	5/8"	14/15/16	7/8"-14	1/2"	29.7	28.2	19.6	15.9	12.3	13.5
UMEF-5NT-12	3/4"	18/20	1 1/16"12	3/4"	30.5	32.5	22.4	15.9	15.5	18.2
UMEF-5NT-16	1"	25	1 5/16"-12	1"	37.6	37.3	23.5	20.6	21.4	23.8
UMEF-5NT-20	1 1/4"	30/32	1 5/8"-12	1 1/4"	42.4	40.4	24.7	25.4	27.4	31.7
UMEF-5NT-24	1 1/2"	38	1 7/8"-12	1 1/2"	45.1	45.2	27.9	23.8	33.3	38.1

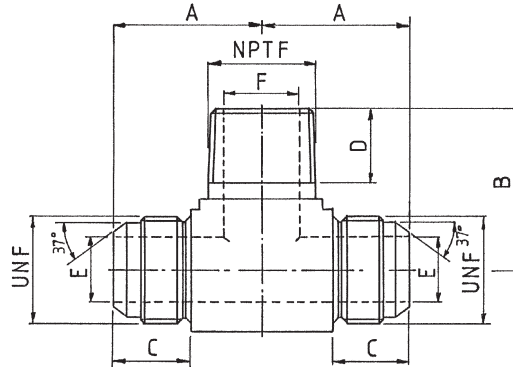
## 37° FLARE JIC x BSP'T' MALE 45° ELBOW



Part No.	TUBE OD INCH	TUBE OD MM	THREAD SIZE UNF	BSP'T' THREAD SIZE R	A	B	C	D	E	F
UMEF-5BT-4-4	1/4"	6	7/16"-20	1/4"	16.3	18.3	14.4	12.7	4.3	7.1
UMEF-5BT-5-4	5/16"	8	1/2"-20	1/4"	16.3	19.6	14.4	12.7	5.2	7.1
UMEF-5BT-6-6	3/8"	10	9/16"-18	3/8"	21.8	21.1	14.5	12.7	7.5	10.3
UMEF-5BT-8-8	1/2"	12	3/4"-16	1/2"	24.1	24.9	17.7	15.9	9.9	13.5
UMEF-5BT-10	5/8"	14/15/16	7/8"-14	1/2"	29.7	28.2	19.6	15.9	12.3	13.5
UMEF-5BT-12	3/4"	18/20	1 1/16"12	3/4"	30.5	32.5	22.4	15.9	15.5	18.2
UMEF-5BT-16	1"	25	1 5/16"-12	1"	37.6	37.3	23.5	20.6	21.4	23.8
UMEF-5BT-20	1 1/4"	30/32	1 5/8"-12	1 1/4"	42.4	40.4	24.7	25.4	27.4	31.7
UMEF-5BT-24	1 1/2"	38	1 7/8"-12	1 1/2"	45.1	45.2	27.9	23.8	33.3	38.1

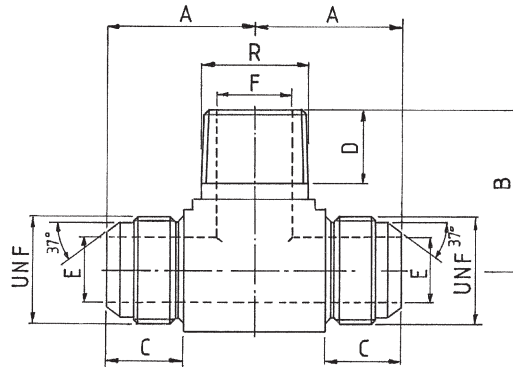


## 37° FLARE JIC x NPT'F' MALE BRANCH TEE



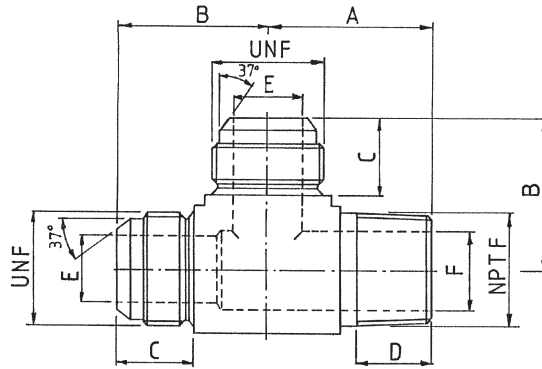
Part No.	TUBE OD INCH	TUBE OD MM	THREAD SIZE UNF	THREAD SIZE NPT'F'	A	B	C	D	E	F
UTMB-5NT-4-4	1/4"	6	7/16"-20	1/4"	27.7	28.5	14.4	12.7	4.3	7.1
UTMB-5NT-5-4	5/16"	8	1/2"-20	1/4"	27.7	28.5	14.4	12.7	5.2	7.1
UTMB-5NT-6-6	3/8"	10	9/16"-18	3/8"	29.9	31.7	14.5	12.7	7.5	10.3
UTMB-5NT-8-8	1/2"	12	3/4"-16	1/2"	32.5	38.1	17.7	15.9	9.9	13.5
UTMB-5NT-10	5/8"	14/15/16	7/8"-14	1/2"	37.6	38.1	19.6	15.9	12.3	13.5
UTMB-5NT-12	3/4"	18/20	1 1/16"12	3/4"	42.9	41.1	22.4	15.9	15.5	18.2
UTMB-5NT-16	1"	25	1 5/16"-12	1"	46.7	50.8	23.5	20.6	21.4	23.8
UTMB-5NT-20	1 1/4"	30/32	1 5/8"-12	1 1/4"	53.1	61.1	24.7	25.4	27.4	31.7
UTMB-5NT-24	1 1/2"	38	1 7/8"-12	1 1/2"	59.9	67.8	27.9	23.8	33.3	38.1

## 37° FLARE JIC x BSP'T' MALE BRANCH TEE



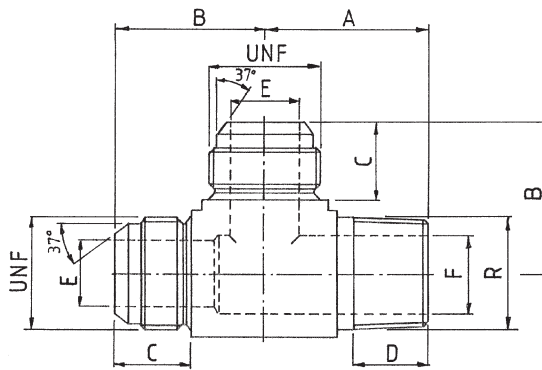
Part No.	TUBE OD INCH	TUBE OD MM	THREAD SIZE UNF	BSP'T' THREAD SIZE R	A	B	C	D	E	F
UTMB-5BT-4-4	1/4"	6	7/16"-20	1/4"	27.7	28.5	14.4	12.7	4.3	7.1
UTMB-5BT-5-4	5/16"	8	1/2"-20	1/4"	27.7	28.5	14.4	12.7	5.2	7.1
UTMB-5BT-6-6	3/8"	10	9/16"-18	3/8"	29.9	31.7	14.5	12.7	7.5	10.3
UTMB-5BT-8-8	1/2"	12	3/4"-16	1/2"	32.5	38.1	17.7	15.9	9.9	13.5
UTMB-5BT-10	5/8"	14/15/16	7/8"-14	1/2"	37.6	38.1	19.6	15.9	12.3	13.5
UTMB-5BT-12	3/4"	18/20	1 1/16"12	3/4"	42.9	41.1	22.4	15.9	15.5	18.2
UTMB-5BT-16	1"	25	1 5/16"-12	1"	46.7	50.8	23.5	20.6	21.4	23.8
UTMB-5BT-20	1 1/4"	30/32	1 5/8"-12	1 1/4"	53.1	61.1	24.7	25.4	27.4	31.7
UTMB-5BT-24	1 1/2"	38	1 7/8"-12	1 1/2"	59.9	67.8	27.9	23.8	33.3	38.1

## 37° FLARE JIC x NPT'F' MALE RUN TEE



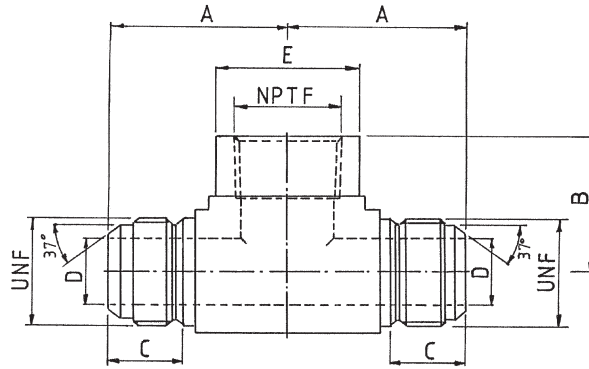
Part No.	TUBE OD INCH	TUBE OD METRIC	THREAD SIZE UNF	THREAD SIZE NPT'F'	A	B	C	D	E	F
UTMR-5NT-4-4	1/4"	6	7/16"-20	1/4"	28.5	27.7	14.4	12.7	4.3	7.1
UTMR-5NT-5-4	5/16"	8	1/2"-20	1/4"	28.5	27.7	14.4	12.7	5.2	7.1
UTMR-5NT-6-6	3/8"	10	9/16"-18	3/8"	31.7	29.9	14.5	12.7	7.5	10.3
UTMR-5NT-8-8	1/2"	12	3/4"-16	1/2"	38.1	32.5	17.7	15.9	9.9	13.5
UTMR-5NT-10	5/8"	14/15/16	7/8"-14	1/2"	38.1	37.6	19.6	15.9	12.3	13.5
UTMR-5NT-12	3/4"	18/20	1 1/16"12	3/4"	41.1	42.9	22.4	15.9	15.5	18.2
UTMR-5NT-16	1"	25	1 5/16"-12	1"	50.8	46.7	23.5	20.6	21.4	23.8
UTMR-5NT-20	1 1/4"	30/32	1 5/8"-12	1 1/4"	61.1	53.1	24.7	25.4	27.4	31.7
UTMR-5NT-24	1 1/2"	38	1 7/8"-12	1 1/2"	67.8	59.9	27.9	23.8	33.3	38.1

## 37° FLARE JIC x BSP'T' MALE RUN TEE



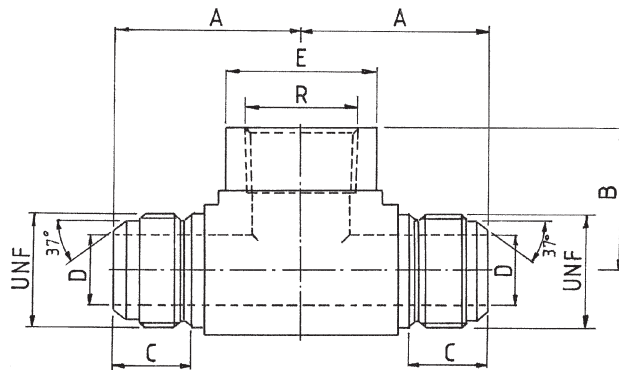
Part No.	TUBE OD INCH	TUBE OD METRIC	THREAD SIZE UNF	BSP'T' THREAD SIZE R	A	B	C	D	E	F
UTMR-5BT-4-4	1/4"	6	7/16"-20	1/4"	28.5	27.7	14.4	12.7	4.3	7.1
UTMR-5BT-5-4	5/16"	8	1/2"-20	1/4"	28.5	27.7	14.4	12.7	5.2	7.1
UTMR-5BT-6-6	3/8"	10	9/16"-18	3/8"	31.7	29.9	14.5	12.7	7.5	10.3
UTMR-5BT-8-8	1/2"	12	3/4"-16	1/2"	38.1	32.5	17.7	15.9	9.9	13.5
UTMR-5BT-10	5/8"	14/15/16	7/8"-14	1/2"	38.1	37.6	19.6	15.9	12.3	13.5
UTMR-5BT-12	3/4"	18/20	1 1/16"12	3/4"	41.1	42.9	22.4	15.9	15.5	18.2
UTMR-5BT-16	1"	25	1 5/16"-12	1"	50.8	46.7	23.5	20.6	21.4	23.8
UTMR-5BT-20	1 1/4"	30/32	1 5/8"-12	1 1/4"	61.1	53.1	24.7	25.4	27.4	31.7
UTMR-5BT-24	1 1/2"	38	1 7/8"-12	1 1/2"	67.8	59.9	27.9	23.8	33.3	38.1

## 37° FLARE JIC x NPT'F' FEMALE BRANCH TEE



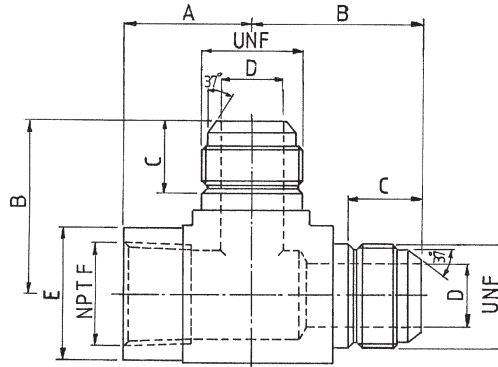
Part No.	TUBE OD INCH	TUBE OD MM	THREAD SIZE UNF	THREAD SIZE NPT'F'	A	B	C	D	E
UTFB-5NT-4-4	1/4"	6	7/16"-20	1/4"	27.4	16.8	14.4	4.3	14.3
UTFB-5NT-5-4	5/16"	8	1/2"-20	1/4"	27.4	16.8	14.4	5.2	14.3
UTFB-5NT-6-6	3/8"	10	9/16"-18	3/8"	31.2	22.4	14.5	7.5	19.1
UTFB-5NT-8-8	1/2"	12	3/4"-16	1/2"	36.1	25.9	17.7	9.9	22.2
UTFB-5NT-10	5/8"	14/15/16	7/8"-14	1/2"	36.8	31.2	19.6	12.3	22.2
UTFB-5NT-12	3/4"	18/20	1 1/16"-12	3/4"	42.2	34.5	22.4	15.5	33.3
UTFB-5NT-16	1"	25	1 5/16"-12	1"	46.1	41.1	23.5	21.4	41.3
UTFB-5NT-20	1 1/4"	30/32	1 5/8"-12	1 1/4"	52.3	43.2	24.7	27.4	47.6
UTFB-5NT-24	1 1/2"	38	1 7/8"-12	1 1/2"	59.2	52.8	27.9	33.3	65.1

## 37° FLARE JIC x BSP'T' FEMALE BRANCH TEE



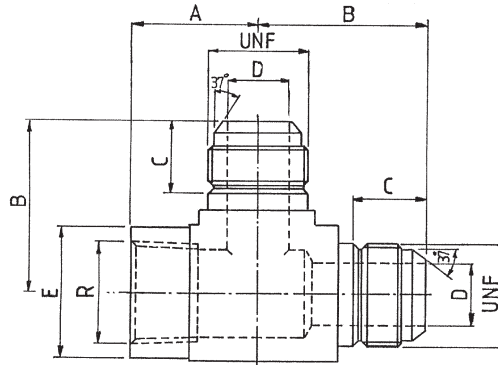
Part No.	TUBE OD INCH	TUBE OD MM	THREAD SIZE UNF	BSP'T' THREAD SIZE R	A	B	C	D	E
UTFB-5BT-4-4	1/4"	6	7/16"-20	1/4"	27.4	16.8	14.4	4.3	14.3
UTFB-5BT-5-4	5/16"	8	1/2"-20	1/4"	27.4	16.8	14.4	5.2	14.3
UTFB-5BT-6-6	3/8"	10	9/16"-18	3/8"	31.2	22.4	14.5	7.5	19.1
UTFB-5BT-8-8	1/2"	12	3/4"-16	1/2"	36.1	25.9	17.7	9.9	22.2
UTFB-5BT-10	5/8"	14/15/16	7/8"-14	1/2"	36.8	31.2	19.6	12.3	22.2
UTFB-5BT-12	3/4"	18/20	1 1/16"-12	3/4"	42.2	34.5	22.4	15.5	33.3
UTFB-5BT-16	1"	25	1 5/16"-12	1"	46.1	41.1	23.5	21.4	41.3
UTFB-5BT-20	1 1/4"	30/32	1 5/8"-12	1 1/4"	52.3	43.2	24.7	27.4	47.6
UTFB-5BT-24	1 1/2"	38	1 7/8"-12	1 1/2"	59.2	52.8	27.9	33.3	65.1

## 37° FLARE JIC x NPT'F' FEMALE RUN TEE



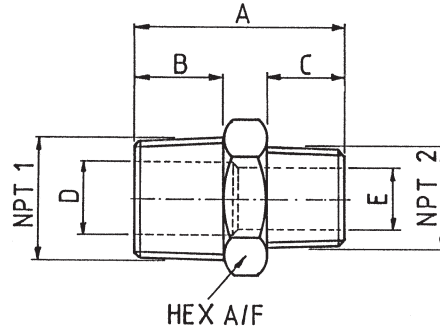
Part No.	TUBE OD INCH	TUBE OD MM	THREAD SIZE UNF	THREAD SIZE NPT'F'	A	B	C	D	E
UTFR-5NT-4-4	1/4"	6	7/16"-20	1/4"	16.8	22.6	14.4	4.3	14.3
UTFR-5NT-5-4	5/16"	8	1/2"-20	1/4"	16.8	24.1	14.4	5.2	14.3
UTFR-5NT-6-6	3/8"	10	9/16"-18	3/8"	22.4	26.9	14.5	7.5	19.1
UTFR-5NT-8-8	1/2"	12	3/4"-16	1/2"	25.9	31.8	17.7	9.9	22.2
UTFR-5NT-10	5/8"	14/15/16	7/8"-14	1/2"	31.2	36.8	19.6	12.3	22.2
UTFR-5NT-12	3/4"	18/20	1 1/16"-12	3/4"	34.5	42.2	22.4	15.5	33.3
UTFR-5NT-16	1"	25	1 5/16"-12	1"	41.1	46.1	23.5	21.4	41.3
UTFR-5NT-20	1 1/4"	30/32	1 5/8"-12	1 1/4"	43.2	52.3	24.7	27.4	47.6
UTFR-5NT-24	1 1/2"	38	1 7/8"-12	1 1/2"	52.8	59.2	27.9	33.3	65.1

## 37° FLARE JIC x BSP'T' FEMALE RUN TEE



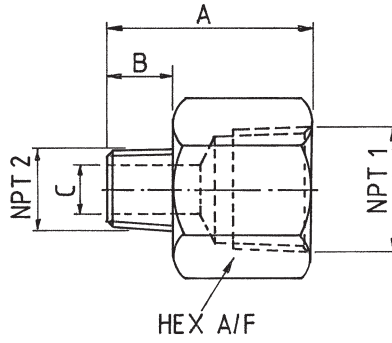
Part No.	TUBE OD INCH	TUBE OD MM	THREAD SIZE UNF	BSP'T' THREAD SIZE R	A	B	C	D	E
UTFR-5BT-4-4	1/4"	6	7/16"-20	1/4"	16.8	22.6	14.4	4.3	14.3
UTFR-5BT-5-4	5/16"	8	1/2"-20	1/4"	16.8	24.1	14.4	5.2	14.3
UTFR-5BT-6-6	3/8"	10	9/16"-18	3/8"	22.4	26.9	14.5	7.5	19.1
UTFR-5BT-8-8	1/2"	12	3/4"-16	1/2"	25.9	31.8	17.7	9.9	22.2
UTFR-5BT-10	5/8"	14/15/16	7/8"-14	1/2"	31.2	36.8	19.6	12.3	22.2
UTFR-5BT-12	3/4"	18/20	1 1/16"-12	3/4"	34.5	42.2	22.4	15.5	33.3
UTFR-5BT-16	1"	25	1 5/16"-12	1"	41.1	46.1	23.5	21.4	41.3
UTFR-5BT-20	1 1/4"	30/32	1 5/8"-12	1 1/4"	43.2	52.3	24.7	27.4	47.6
UTFR-5BT-24	1 1/2"	38	1 7/8"-12	1 1/2"	52.8	59.2	27.9	33.3	65.1

# NPT MALE/MALE HEX REDUCING NIPPLE



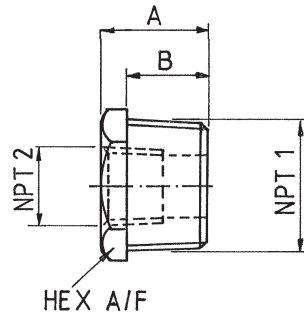
Part No.	THREAD SIZE NPT 1	THREAD SIZE NPT 2	A	B	C	D	E	HEX
RN-300-4-2	1/4"	1/8"	28.6	12.7	9.5	4.7	3.2	15.9
RN-300-6-2	3/8"	1/8"	31.7	12.7	9.5	7.9	3.2	18.1
RN-300-6-4	3/8"	1/4"	33.3	12.7	12.7	7.9	4.7	18.1
RN-300-8-4	1/2"	1/4"	36.5	15.9	12.7	11.9	4.7	22.2
RN-300-8-6	1/2"	3/8"	36.5	15.9	12.7	11.9	7.9	22.2
RN-300-12-4	3/4"	1/4"	39.7	17.4	12.7	12.7	4.7	28.6
RN-300-12-6	3/4"	3/8"	39.7	17.4	12.7	12.7	7.9	28.6
RN-300-12-8	3/4"	1/2"	42.9	17.4	15.9	12.7	11.1	28.6
RN-300-16-8	1"	1/2"	46.1	20.6	15.9	15.9	11.1	34.9
RN-300-16-12	1"	3/4"	47.6	20.6	17.4	15.9	12.7	34.9
RN-300-20-16	1 1/4"	1"	57.2	22.2	20.6	23.8	15.9	44.4
RN-300-24-16	1 1/2"	1"	58.7	22.2	20.6	30.1	15.9	50.8
RN-300-24-20	1 1/2"	1 1/4"	60.3	22.2	22.2	30.1	23.8	50.8
RN-300-32-16	2"	1"	61.9	23.8	20.6	38.1	15.9	63.5
RN-300-32-24	2"	1 1/2"	63.5	23.8	22.2	38.1	30.1	63.5

# NPT FEMALE/MALE HEX REDUCING CONNECTOR



Part No.	THREAD SIZE NPT 1	THREAD SIZE NPT 2	A	B	C	HEX
FM-300-4-2	1/4"	1/8"	31.7	9.5	4.7	19.1
FM-300-6-2	3/8"	1/8"	33.3	9.5	4.7	22.2
FM-300-6-4	3/8"	1/4"	36.5	12.7	7.2	22.2
FM-300-8-4	1/2"	1/4"	41.3	12.7	7.2	28.6
FM-300-8-6	1/2"	3/8"	41.3	12.7	10.3	28.6
FM-300-12-6	3/4"	3/8"	44.4	14.3	10.3	34.9
FM-300-12-8	3/4"	1/2"	46.1	15.9	12.7	34.9
FM-300-16-8	1"	1/2"	52.4	15.9	12.7	44.4
FM-300-16-12	1"	3/4"	55.5	19.1	19.8	44.4
FM-300-20-12	1 1/4"	3/4"	55.5	19.1	19.8	57.2
FM-300-20-16	1 1/4"	1"	60.3	22.2	23.8	57.2
FM-300-24-16	1 1/2"	1"	61.9	22.2	23.8	63.5
FM-300-24-20	1 1/2"	1 1/4"	63.5	23.8	32.5	63.5

# NPT MALE/FEMALE HEX REDUCING BUSH



Part No.	THREAD SIZE NPT 1	THREAD SIZE NPT 2	A	B	HEX
RB-300-4-2	1/4"	1/8"	15.9	12.7	15.9
RB-300-6-2	3/8"	1/8"	16.7	12.7	18.1
RB-300-6-4	3/8"	1/4"	16.7	12.7	18.1
RB-300-8-4	1/2"	1/4"	20.6	15.9	22.2
RB-300-8-6	1/2"	3/8"	20.6	15.9	22.2
RB-300-12-4	3/4"	1/4"	23.1	17.5	28.6
RB-300-12-6	3/4"	3/8"	23.1	17.5	28.6
RB-300-12-8	3/4"	1/2"	23.1	17.5	28.6
RB-300-16-8	1"	1/2"	27.1	20.6	34.9
RB-300-16-12	1"	3/4"	27.1	20.6	34.9
RB-300-20-12	1 1/4"	3/4"	29.3	22.2	44.4
RB-300-20-16	1 1/4"	1"	29.3	22.2	44.4
RB-300-24-12	1 1/2"	3/4"	30.1	22.2	50.8
RB-300-24-16	1 1/2"	1"	30.1	22.2	50.8
RB-300-24-20	1 1/2"	1 1/4"	30.1	22.2	50.8
RB-300-32-16	2"	1"	32.6	23.8	63.5
RB-300-32-20	2"	1 1/4"	32.6	23.8	63.5
RB-300-32-24	2"	1 1/2"	32.6	23.8	63.5









  
***Custom  
Fittings*** 

Rawfolds Way, Spen Valley Industrial Park, Bradford  
Road, Cleckheaton,  
West Yorkshire BD19 5LJ, England

Telephone: (01274) 852066

Telefax: (01274) 852029

E-mail: [sales@customfittings.com](mailto:sales@customfittings.com) Internet: [www.customfittings.com](http://www.customfittings.com)