



**ANFIELD**

**Valves**



# Valves

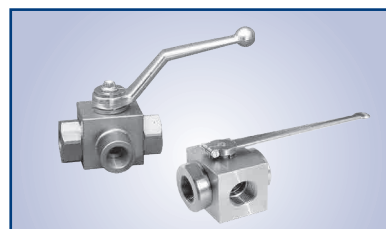
## TABLE OF CONTENTS



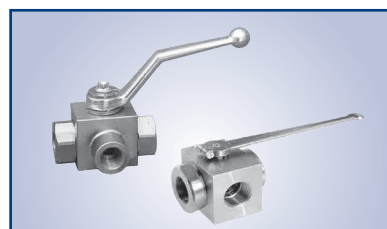
**GE2 / GB2**  
2-Way Ball Valves Carbon **3**



**GE2 / GB2**  
2-Way Ball Valves Stainless **4**



**GE3 / GB3**  
3-Way Ball Valves Carbon **5**



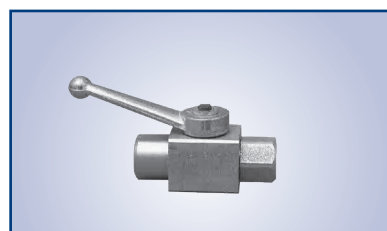
**GE3 / GB3**  
3-Way Ball Valves Stainless **6**



**GES / GBS**  
SAE Flange 2-Way Ball Valves **7**



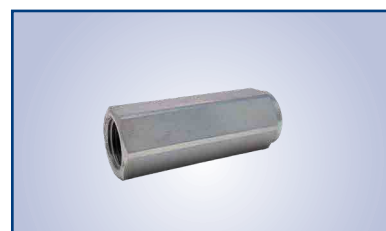
**GEF / GBF**  
2-Way High Pressure Ball Valves **8**



**GEM**  
Mini Ball Valves **9**



**-LK**  
Locking Kits **9**



**NC**  
Check Valves **10**



**NNV-NPTF**  
Inline Needle Valves **11**



**NNV-SAE**  
Inline Needle Valves **12**



**NFC-NPTF**  
Inline Flow Control Valves **13**



**NFC-SAE**  
Inline Flow Control Valves **14**



**PCC-\*-51**  
Compensating Variable Flow Control **15**

## SPECIFICATIONS

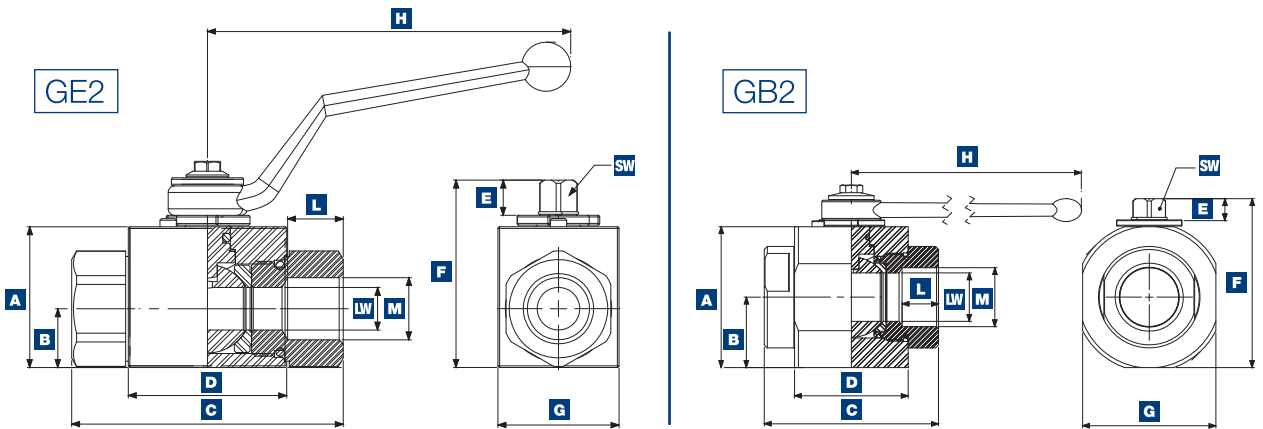
Body	Carbon steel
Ball	Carbon steel
Temperature Range	-4°F to 212°F (depending on seal material selected)
Ball Seats	Delrin (Standard) POM, PEEK PA612, GEMPTFE, PTFE (Optional)
O-Rings	Buna N (Standard) FKM, EPDM, MVQ (Optional)



**GE2 / GB2 CARBON**



## DIMENSIONS



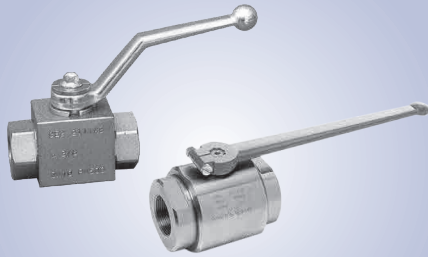
Model	Size	A	B	C	D	E	F	G	H	L	M	SW	LW
Full Bore	1/4"	1.38"	0.57"	2.80"	1.67"	0.43"	1.93"	1.18"	4.33"	0.67"	1/4"	0.35"	0.24"
	3/8"	1.57"	0.69"	2.87"	1.75"	0.43"	2.14"	1.38"	4.33"	0.67"	3/8"	0.35"	0.39"
	1/2"	1.69"	0.71"	3.27"	1.91"	0.43"	2.24"	1.46"	4.33"	0.83"	1/2"	0.35"	0.51"
	3/4"	2.17"	0.92"	3.74"	2.46"	0.55"	2.89"	1.77"	7.09"	0.83"	3/4"	0.55"	0.79"
	1"	2.56"	1.16"	4.41"	2.62"	0.55"	3.29"	2.17"	7.09"	0.94"	1"	0.55"	0.98"
Reduced Bore	1-1/4"	2.56"	1.16"	4.72"	2.62"	0.55"	3.29"	2.17"	7.09"	0.94"	1-1/4"	0.55"	0.98"
	1-1/2"	2.56"	1.16"	4.88"	2.62"	0.55"	3.29"	2.17"	7.09"	0.94"	1-1/2"	0.55"	0.98"
Full Bore	1-1/4"	3.66"	1.83"	4.53"	2.95"	0.53"	4.39"	3.46"	11.81"	0.94"	1-1/4"	0.67"	1.26"
	1-1/2"	4.21"	2.11"	5.16"	3.35"	0.53"	4.94"	4.02"	11.81"	0.98"	1-1/2"	0.67"	1.57"
	2"	4.49"	2.24"	5.51"	3.86"	0.53"	5.22"	4.65"	11.81"	1.06"	2"	0.67"	1.97"

## ORDERING INFORMATION

Model	Part #	Ports	Part #	Ports	Working Pressure	Weight	Locking Kit Part #
Full Bore	<b>GE2 N 1/4"</b>	1/4" NPT	<b>GE2 SAE4</b>	SAE-4	7250 PSI	1.00 lb	GE-LK-6
	<b>GE2 N 3/8"</b>	3/8" NPT	<b>GE2 SAE6</b>	SAE-6	7250 PSI	1.25 lb	GE-LK-6
	<b>GE2 N 1/2"</b>	1/2" NPT	<b>GE2 SAE8</b>	SAE-8	7250 PSI	1.61 lb	GE-LK-6
	<b>GE2 N 3/4"</b>	3/4" NPT	<b>GE2 SAE12</b>	SAE-12	5800 PSI	3.00 lb	GE-LK-20
	<b>GE2 N 1"</b>	1" NPT	<b>GE2 SAE16</b>	SAE-16	5075 PSI	4.80 lb	GE-LK-20
Reduced Bore	<b>GE2 N 1-1/4" R</b>	1-1/4" NPT	<b>GE2 SAE20</b>	SAE-20	5075 PSI	5.25 lb	GE-LK-20
	<b>GE2 N 1-1/2" R</b>	1-1/2" NPT	<b>GE2 SAE24</b>	SAE-24	5075 PSI	5.25 lb	GE-LK-20
Full Bore	<b>GB2 N 1-1/4"</b>	1-1/4" NPT	<b>GB2 SAE20</b>	SAE-20	5075 PSI	8.25 lb	GB-LK
	<b>GB2 N 1-1/2"</b>	1-1/2" NPT	<b>GB2 SAE24</b>	SAE-24	5075 PSI	12.75 lb	GB-LK
	<b>GB2 N 2"</b>	2" NPT	<b>GB2 SAE32</b>	SAE-32	5075 PSI	14.25 lb	GB-LK

Additional options are available. Please contact Anfield Industries for details.

# 2-Way Ball Valves

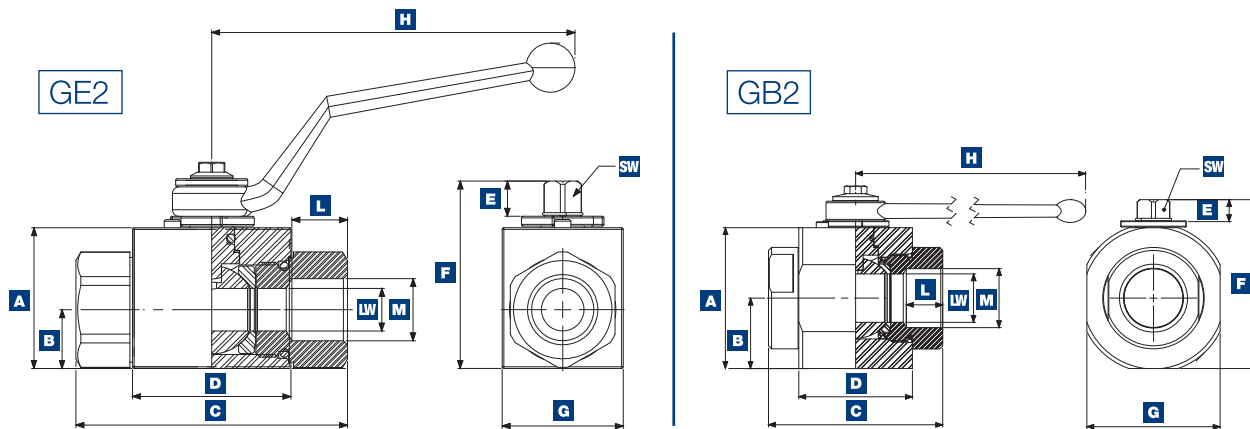


## GE2 / GB2 STAINLESS

### SPECIFICATIONS

Body	Stainless steel
Ball	Stainless steel
Temperature Range	-76°F to 446°F (depending on seal material selected)
Ball Seats	Delrin (Standard) POM, PEEK PA612, GEMPTFE, PTFE (Optional)
O-Rings	Buna N (Standard) FKM, EPDM, MVQ (Optional)

### DIMENSIONS



Model	Size	A	B	C	D	E	F	G	H	L	M	SW	LW
Full Bore	1/4"	1.38"	0.57"	2.80"	1.67"	0.43"	1.93"	1.18"	4.33"	0.67"	1/4"	0.35"	0.24"
	3/8"	1.57"	0.69"	2.87"	1.75"	0.43"	2.14"	1.38"	4.33"	0.67"	3/8"	0.35"	0.39"
	1/2"	1.69"	0.71"	3.27"	1.91"	0.43"	2.24"	1.46"	4.33"	0.83"	1/2"	0.35"	0.51"
	3/4"	2.17"	0.92"	3.74"	2.46"	0.55"	2.89"	1.77"	7.09"	0.83"	3/4"	0.55"	0.79"
	1"	2.56"	1.16"	4.41"	2.62"	0.55"	3.29"	2.17"	7.09"	0.94"	1"	0.55"	0.98"
Reduced Bore	1-1/4"	2.56"	1.16"	4.72"	2.62"	0.55"	3.29"	2.17"	7.09"	0.94"	1-1/4"	0.55"	0.98"
	1-1/2"	2.56"	1.16"	4.88"	2.62"	0.55"	3.29"	2.17"	7.09"	0.94"	1-1/2"	0.55"	0.98"
Full Bore	1-1/4"	3.66"	1.83"	4.53"	2.95"	0.53"	4.39"	3.46"	11.81"	0.94"	1-1/4"	0.67"	1.26"
	1-1/2"	4.21"	2.11"	5.16"	3.35"	0.53"	4.94"	4.02"	11.81"	0.98"	1-1/2"	0.67"	1.57"
	2"	4.49"	2.24"	5.51"	3.86"	0.53"	5.22"	4.65"	11.81"	1.06"	2"	0.67"	1.97"

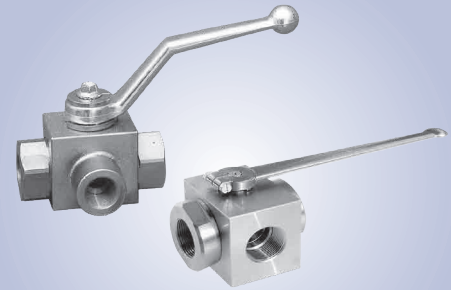
### ORDERING INFORMATION

Model	Part #	Ports	Part #	Ports	Working Pressure	Weight	Locking Kit Part #
Full Bore	GE2 N 1/4"-4444-SS	1/4" NPT	GE2 SAE4-4444-SS	SAE-4	7250 PSI	1.00 lb	GE-LK-6
	GE2 N 3/8"-4444-SS	3/8" NPT	GE2 SAE6-4444-SS	SAE-6	7250 PSI	1.25 lb	GE-LK-6
	GE2 N 1/2"-4444-SS	1/2" NPT	GE2 SAE8-4444-SS	SAE-8	7250 PSI	1.61 lb	GE-LK-6
	GE2 N 3/4"-4444-SS	3/4" NPT	GE2 SAE12-4444-SS	SAE-12	5800 PSI	3.00 lb	GE-LK-20
	GE2 N 1"-4444-SS	1" NPT	GE2 SAE16-4444-SS	SAE-16	5075 PSI	4.80 lb	GE-LK-20
Reduced Bore	GE2 N 1-1/4" R-4444-SS	1-1/4" NPT	GE2 SAE20-4444-SS	SAE-20	5075 PSI	5.25 lb	GE-LK-20
	GE2 N 1-1/2" R-4444-SS	1-1/2" NPT	GE2 SAE24-4444-SS	SAE-24	5075 PSI	5.25 lb	GE-LK-20
Full Bore	GB2 N 1-1/4"-4444-SS	1-1/4" NPT	GB2 SAE20-4444-SS	SAE-20	5075 PSI	8.25 lb	GB-LK
	GB2 N 1-1/2"-4444-SS	1-1/2" NPT	GB2 SAE24-4444-SS	SAE-24	5075 PSI	12.75 lb	GB-LK
	GB2 N 2"-4444-SS	2" NPT	GB2 SAE32-4444-SS	SAE-32	5075 PSI	14.25 lb	GB-LK

Additional options are available. Please contact Anfield Industries for details.

## SPECIFICATIONS

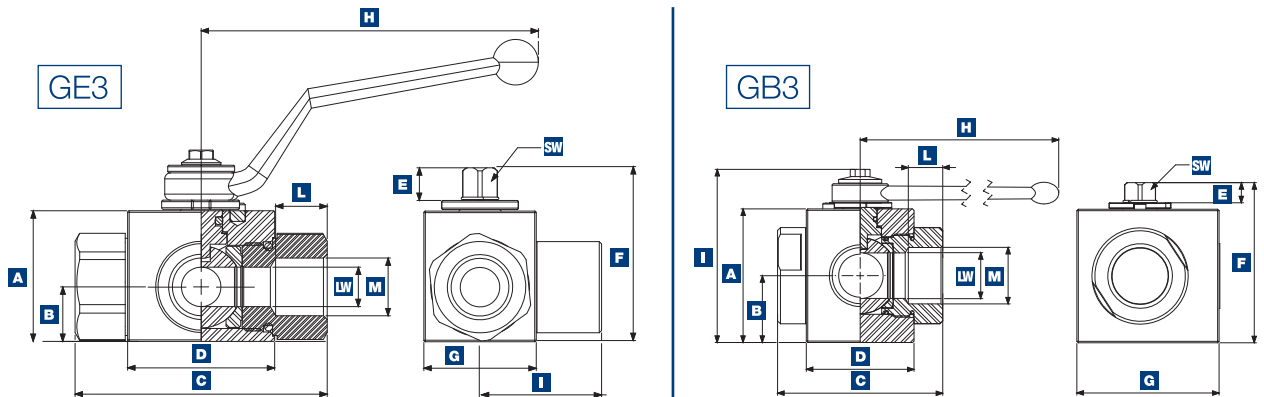
Body	Carbon steel
Ball	Carbon steel
Temperature Range	-4°F to 212°F (depending on seal material selected)
Ball Seats	Delrin (Standard) POM, PEEK PA612, GEMPTFE, PTFE (Optional)
O-Rings	Buna N (Standard) FKM, EPDM, MVQ (Optional)



**GE3 / GB3 CARBON**



## DIMENSIONS

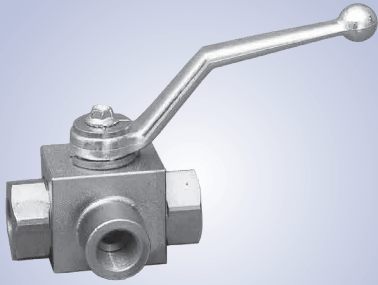


Model	Size	A	B	C	D	E	F	G	H	I	L	M	SW	LW
Full Bore	1/4"	1.38"	0.57"	2.80"	1.67"	0.43"	1.93"	1.18"	4.33"	3.60"	0.67"	1/4"	0.35"	0.24"
	3/8"	1.57"	0.69"	2.87"	1.75"	0.43"	2.14"	1.38"	4.33"	3.80"	0.67"	3/8"	0.35"	0.39"
	1/2"	1.69"	0.71"	3.27"	1.91"	0.43"	2.24"	1.46"	4.33"	3.92"	0.83"	1/2"	0.35"	0.51"
	3/4"	2.17"	0.92"	3.74"	2.46"	0.55"	2.89"	1.77"	7.09"	4.19"	0.83"	3/4"	0.55"	0.79"
	1"	2.56"	1.16"	4.41"	2.62"	0.55"	3.29"	2.17"	7.09"	4.59"	0.94"	1"	0.55"	0.98"
Reduced Bore	1-1/4"	2.56"	1.16"	4.72"	2.62"	0.55"	3.29"	2.17"	7.09"	4.59"	0.94"	1-1/4"	0.55"	0.98"
Full Bore	1-1/4"	3.66"	1.83"	4.53"	2.95"	0.53"	4.39"	3.90"	11.81"	4.74"	0.94"	1-1/4"	0.67"	1.26"
	1-1/2"	4.21"	2.11"	5.16"	3.35"	0.53"	4.94"	4.53"	11.81"	5.30"	0.98"	1-1/2"	0.67"	1.57"
	2"	4.49"	2.24"	5.51"	3.86"	0.53"	5.22"	5.04"	11.81"	5.57"	1.06"	2"	0.67"	1.97"

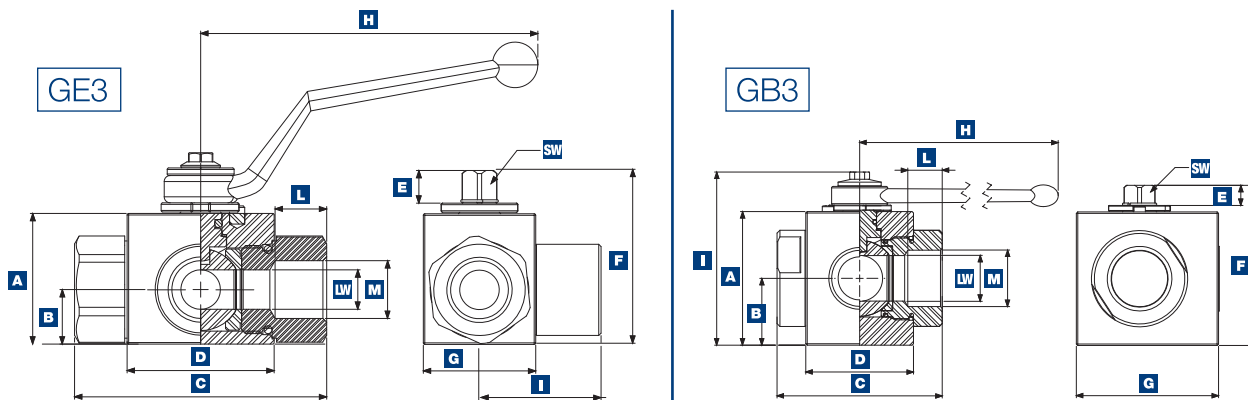
## ORDERING INFORMATION

Model	Part #	Ports	Part #	Ports	Working Pressure	Weight	Locking Kit Part #
Full Bore	<b>GE3 N 1/4"</b>	1/4" NPT	<b>GE3 SAE4</b>	SAE-4	5800 PSI	1.00 lb	GE-LK-6
	<b>GE3 N 3/8"</b>	3/8" NPT	<b>GE3 SAE6</b>	SAE-6	5800 PSI	1.25 lb	GE-LK-6
	<b>GE3 N 1/2"</b>	1/2" NPT	<b>GE3 SAE8</b>	SAE-8	5075 PSI	1.61 lb	GE-LK-6
	<b>GE3 N 3/4"</b>	3/4" NPT	<b>GE3 SAE12</b>	SAE-12	5075 PSI	3.00 lb	GE-LK-20
	<b>GE3 N 1"</b>	1" NPT	<b>GE3 SAE16</b>	SAE-16	5075 PSI	4.80 lb	GE-LK-20
Reduced Bore	<b>GE3 N 1-1/4" R</b>	1-1/4" NPT	<b>GE3 SAE20</b>	SAE-20	5075 PSI	5.25 lb	GE-LK-20
Full Bore	<b>GB3 N 1-1/4"</b>	1-1/4" NPT	N/A	N/A	5075 PSI	8.25 lb	GB-LK
	<b>GB3 N 1-1/2"</b>	1-1/2" NPT	N/A	N/A	5075 PSI	12.75 lb	GB-LK
	<b>GB3 N 2"</b>	2" NPT	N/A	N/A	5075 PSI	14.25 lb	GB-LK



**GE3 / GB3 STAINLESS****SPECIFICATIONS**

Body	Stainless steel
Ball	Stainless steel
Temperature Range	-76°F to 446°F (depending on seal material selected)
Ball Seats	Delrin (Standard) POM, PEEK PA612, GEMPTFE, PTFE (Optional)
O-Rings	Buna N (Standard) FKM, EPDM, MVQ (Optional)

**DIMENSIONS**

Model	Size	A	B	C	D	E	F	G	H	I	L	M	SW	LW
Full Bore	1/4"	1.38"	0.57"	2.80"	1.67"	0.43"	1.93"	1.18"	4.33"	3.60"	0.67"	1/4"	0.35"	0.24"
	3/8"	1.57"	0.69"	2.87"	1.75"	0.43"	2.14"	1.38"	4.33"	3.80"	0.67"	3/8"	0.35"	0.39"
	1/2"	1.69"	0.71"	3.27"	1.91"	0.43"	2.24"	1.46"	4.33"	3.92"	0.83"	1/2"	0.35"	0.51"
	3/4"	2.17"	0.92"	3.74"	2.46"	0.55"	2.89"	1.77"	7.09"	4.19"	0.83"	3/4"	0.55"	0.79"
	1"	2.56"	1.16"	4.41"	2.62"	0.55"	3.29"	2.17"	7.09"	4.59"	0.94"	1"	0.55"	0.98"
Reduced Bore	1-1/4"	2.56"	1.16"	4.72"	2.62"	0.55"	3.29"	2.17"	7.09"	4.59"	0.94"	1-1/4"	0.55"	0.98"
Full Bore	1-1/4"	3.66"	1.83"	4.53"	2.95"	0.53"	4.39"	3.90"	11.81"	4.74"	0.94"	1-1/4"	0.67"	1.26"
	1-1/2"	4.21"	2.11"	5.16"	3.35"	0.53"	4.94"	4.53"	11.81"	5.30"	0.98"	1-1/2"	0.67"	1.57"
	2"	4.49"	2.24"	5.51"	3.86"	0.53"	5.22"	5.04"	11.81"	5.57"	1.06"	2"	0.67"	1.97"

**ORDERING INFORMATION**

Model	Part #	Ports	Part #	Ports	Working Pressure	Weight	Locking Kit Part #
Full Bore	<b>GE3 N 1/4"-4444-SS</b>	1/4" NPT	<b>GE3 SAE4-4444-SS</b>	SAE-4	5800 PSI	1.00 lb	GE-LK-6
	<b>GE3 N 3/8"-4444-SS</b>	3/8" NPT	<b>GE3 SAE6-4444-SS</b>	SAE-6	5800 PSI	1.25 lb	GE-LK-6
	<b>GE3 N 1/2"-4444-SS</b>	1/2" NPT	<b>GE3 SAE8-4444-SS</b>	SAE-8	5075 PSI	1.61 lb	GE-LK-6
	<b>GE3 N 3/4"-4444-SS</b>	3/4" NPT	<b>GE3 SAE12-4444-SS</b>	SAE-12	5075 PSI	3.00 lb	GE-LK-20
	<b>GE3 N 1"-4444-SS</b>	1" NPT	<b>GE3 SAE16-4444-SS</b>	SAE-16	5075 PSI	4.80 lb	GE-LK-20
Reduced Bore	<b>GE3 N 1-1/4" R-4444-SS</b>	1-1/4" NPT	<b>GE3 SAE20-4444-SS</b>	SAE-20	5075 PSI	5.25 lb	GE-LK-20
Full Bore	<b>GB3 N 1-1/4"-4444-SS</b>	1-1/4" NPT	N/A	N/A	5075 PSI	8.25 lb	GB-LK
	<b>GB3 N 1-1/2"-4444-SS</b>	1-1/2" NPT	N/A	N/A	5075 PSI	12.75 lb	GB-LK
	<b>GB3 N 2"-4444-SS</b>	2" NPT	N/A	N/A	5075 PSI	14.25 lb	GB-LK

## SPECIFICATIONS

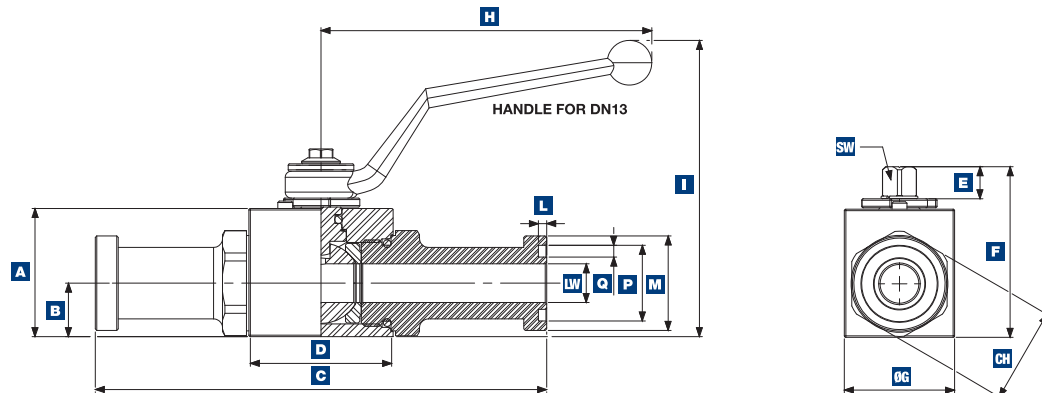
Body	Carbon steel
Ball	Carbon steel
Temperature Range	-4°F to 212°F (depending on seal material selected)
Ball Seats	Delrin (Standard); POM, PEEK PA612, GEMPTFE, PTFE (Optional)
O-Rings	Buna N (Standard) FKM, EPDM, MVQ (Optional)



**GES / GBS**

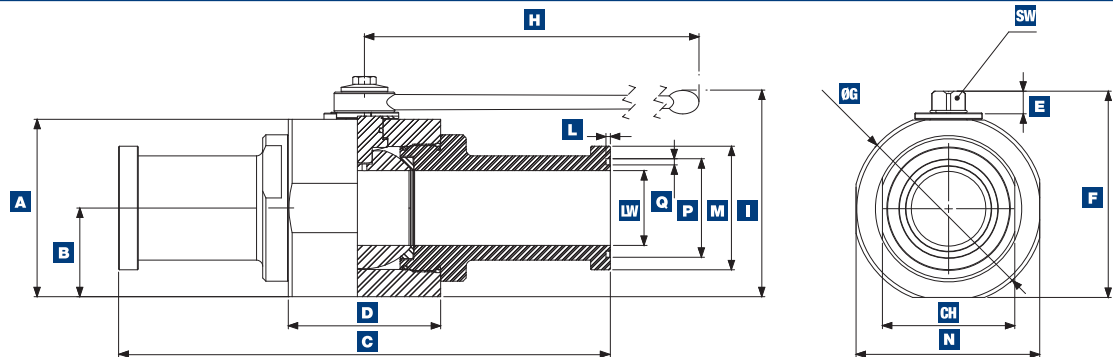


## GES DIMENSIONS



Model	PN	A	B	C	D	E	F	G	H	I	L	M	CH	P	Q	SW	LW	Weight
GES-3 DN13 1/2"	5000 Psi	1.69"	0.71"	5.96"	1.91"	0.43"	2.24"	1.46"	4.33"	3.92"	0.11"	1.19"	1.26"	1"	0.16"	0.35"	0.51"	2.12 lb
GES-3 DN20 3/4"	5000 Psi	2.17"	0.92"	6.38"	2.46"	0.55"	2.89"	1.77"	7.09"	4.19"	0.11"	1.50"	1.61"	1.25"	0.16"	0.55"	0.79"	3.79 lb
GES-3 DN25 1"	5000 Psi	2.56"	1.16"	7.01"	2.62"	0.55"	3.29"	2.17"	7.09"	4.59"	0.11"	1.75"	1.97"	1.54"	0.16"	0.55"	0.98"	5.73 lb
GES-6 DN13 1/2"	6000 Psi	1.69"	0.71"	5.96"	1.91"	0.43"	2.24"	1.46"	4.33"	3.92"	0.11"	1.24"	1.26"	1"	0.16"	0.35"	0.51"	2.12 lb
GES-6 DN20 3/4"	5800 Psi	2.17"	0.92"	6.85"	2.46"	0.55"	2.89"	1.77"	7.09"	4.19"	0.11"	1.63"	1.61"	1.25"	0.16"	0.55"	0.79"	3.95 lb
GES-6 DN25 1"	5000 Psi	2.56"	1.16"	7.80"	2.62"	0.55"	3.29"	2.17"	7.09"	4.59"	0.11"	1.88"	1.97"	1.54"	0.16"	0.55"	0.98"	6.08 lb

## GBS DIMENSIONS



Model	PN	A	B	C	D	E	F	ØG	H	I	L	M	N	CH	P	Q	SW	LW	Weight
GBS-3 DN32 1 1/4"	4000 Psi	3.66"	1.83"	7.50"	2.95"	0.53"	4.39"	3.86"	11.81"	4.74"	0.11"	2.00"	3.46"	2.36"	1.75"	0.16"	0.67"	1.26"	11.97 lb
GBS-3 DN40 1 1/2"	3000 Psi	4.21"	2.11"	9.07"	3.35"	0.53"	4.94"	4.45"	11.81"	5.30"	0.11"	2.37"	4.02"	2.95"	2.11"	0.16"	0.67"	1.57"	18.22 lb
GBS-3 DN50 2"	3000 Psi	4.49"	2.24"	9.13"	3.86"	0.53"	5.22"	4.84"	11.81"	5.57"	0.11"	2.81"	4.65"	3.35"	2.49"	0.16"	0.67"	1.97"	21.75 lb
GBS-6 DN32 1 1/4"	5000 Psi	3.66"	1.83"	8.78"	2.95"	0.53"	4.39"	3.86"	11.81"	4.74"	0.11"	2.13"	3.46"	2.36"	1.75"	0.16"	0.67"	1.26"	12.85 lb
GBS-6 DN40 1 1/2"	5000 Psi	4.21"	2.11"	11.06"	3.35"	0.53"	4.94"	4.45"	11.81"	5.30"	0.11"	2.50"	4.02"	2.95"	2.11"	0.16"	0.67"	1.57"	18.19 lb
GBS-6 DN50 2"	5000 Psi	4.49"	2.24"	12.44"	3.86"	0.53"	5.22"	4.84"	11.81"	5.57"	0.11"	3.13"	4.65"	3.35"	2.49"	0.16"	0.67"	1.97"	25.96 lb

## 2-Way High Pressure Ball Valves



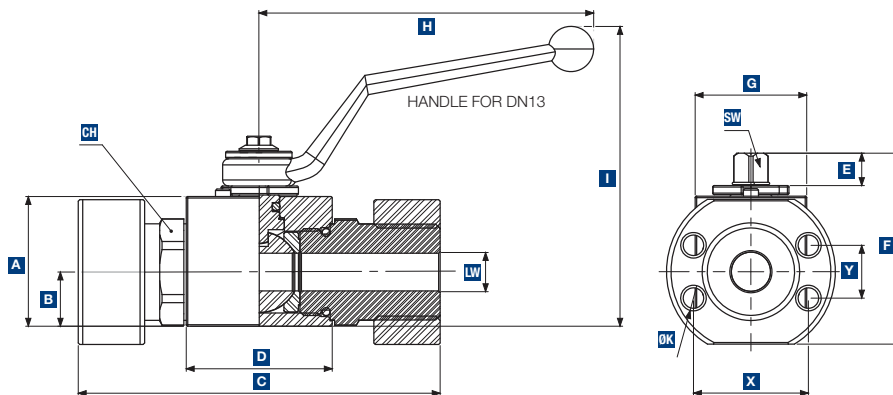
**GEF / GBF**



### SPECIFICATIONS

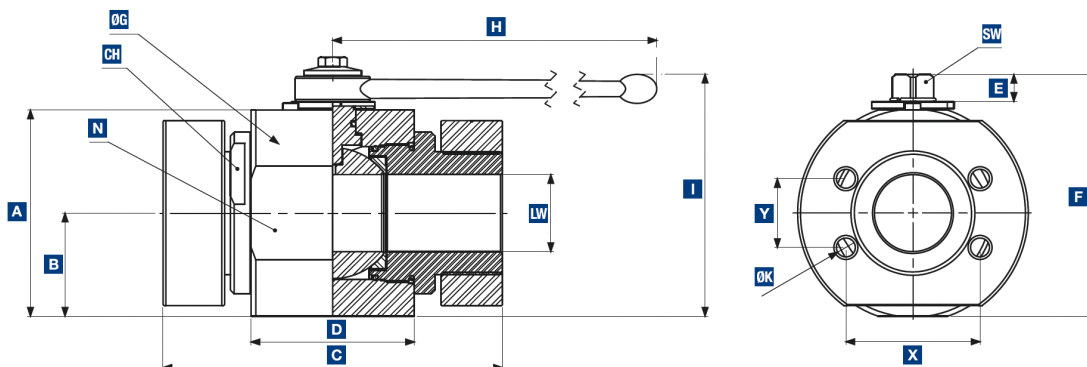
Body	Carbon steel
Ball	Carbon steel
Temperature Range	-4°F to 212°F (depending on seal material selected)
Ball Seats	Delrin (Standard); POM, PEEK PA612, GEMPTFE, PTFE (Optional)
O-Rings	NBR, FKM, EPDM, MVQ

### GEF DIMENSIONS



Model	PN	A	B	C	D	E	F	G	H	I	CH	X	Y	ØK	SW	LW	Weight
GEF-3 DN13 1/2"	5000 Psi	1.69"	0.71"	4.72"	1.91"	0.43"	2.24"	1.46"	4.33"	3.92"	1.26"	1.5"	0.69"	5/16-18 UNC	0.35"	0.51"	3.40 lb
GEF-3 DN20 3/4"	5000 Psi	2.17"	0.92"	5.35"	2.46"	0.55"	2.89"	1.77"	7.09"	4.19"	1.61"	1.87"	0.87"	3/8-16 UNC	0.55"	0.79"	5.75 lb
GEF-3 DN25 1"	5000 Psi	2.56"	1.16"	5.83"	2.62"	0.55"	3.29"	2.17"	7.09"	4.59"	1.97"	2.13"	1.03"	3/8-16 UNC	0.55"	0.98"	8.58 lb
GEF-6 DN13 1/2"	6000 Psi	1.69"	0.71"	4.72"	1.91"	0.43"	2.24"	1.46"	4.33"	3.92"	1.26"	1.59"	0.72"	5/16-18 UNC	0.35"	0.51"	3.40 lb
GEF-6 DN20 3/4"	5800 Psi	2.17"	0.92"	5.35"	2.46"	0.55"	2.89"	1.77"	7.09"	4.19"	1.61"	2"	0.94"	5/16-18 UNC	0.55"	0.79"	5.75 lb
GEF-6 DN25 1"	5000 Psi	2.56"	1.16"	5.83"	2.62"	0.55"	3.29"	2.17"	7.09"	4.59"	1.97"	2.25"	1.09"	7/16-14 UNC	0.55"	0.98"	8.58 lb

### GBF DIMENSIONS

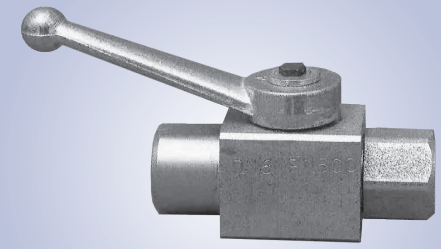


Model	PN	A	B	C	D	E	F	ØG	H	I	N	X	Y	ØK	CH	SW	LW	Weight
GBF-3 DN32 1-1/4"	4000 Psi	3.66"	1.83"	6.77"	2.95"	0.53"	4.39"	3.86"	11.81"	4.74"	3.23"	2.31"	1.19"	7/16-14 UNC	2.36"	0.67"	1.26"	17.86 lb
GBF-3 DN40 1-1/2"	3000 Psi	4.21"	2.11"	6.95"	3.35"	0.53"	4.94"	4.45"	11.81"	5.30"	4.02"	2.75"	1.41"	1/2-13 UNC	2.95"	0.67"	1.57"	24.56 lb
GBF-3 DN 50 2"	3000 Psi	4.49"	2.24"	7.72"	3.86"	0.53"	5.22"	4.84"	11.81"	5.57"	4.65"	3.06"	1.69"	1/2-13 UNC	3.35"	0.67"	1.97"	33.83 lb
GBF-6 DN32 1-1/4"	5000 Psi	3.66"	1.83"	6.77"	2.95"	0.53"	4.39"	3.86"	11.81"	4.74"	3.23"	2.63"	1.25"	1/2-13 UNC	2.36"	0.67"	1.26"	17.86 lb
GBF-6 DN40 1-1/2"	5000 Psi	4.21"	2.11"	6.95"	3.35"	0.53"	4.94"	4.45"	11.81"	5.30"	4.02"	3.13"	1.44"	5/8-11 UNC	2.95"	0.67"	1.57"	24.56 lb
GBF-6 DN 50 2"	5000 Psi	4.49"	2.24"	7.72"	3.86"	0.53"	5.22"	4.84"	11.81"	5.57"	4.65"	3.81"	1.75"	3/4-10 UNC	3.35"	0.67"	1.97"	33.83 lb



## SPECIFICATIONS

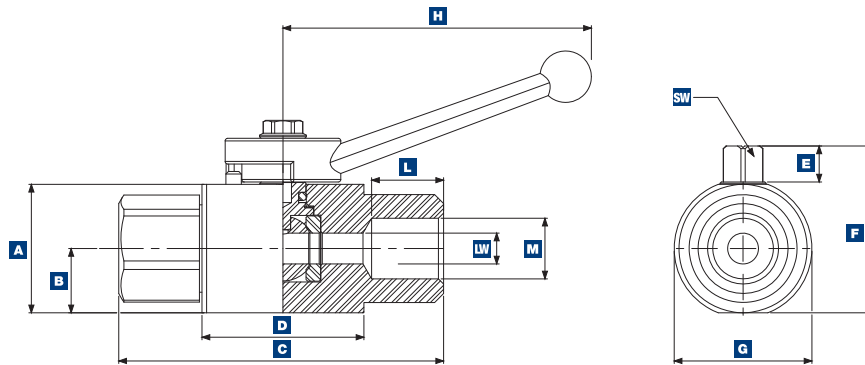
Body	Steel
Ball	Nickel-plated steel
Temperature Range	-4°F to 212°F (depending on seal material selected)
Ball Seats	Delrin (Standard) POM, PEEK PA612, GEMPTFE, PTFE (Optional)
O-Rings	Buna N (Standard) FKM, EPDM, MVQ (Optional)



**GEM**



## DIMENSIONS



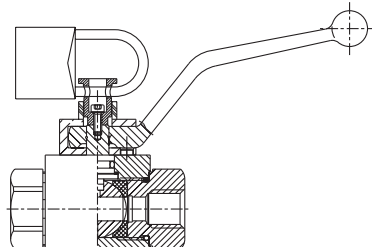
Part #	A	B	C	D	E	F	G	H	L	M	SW	LW
GEM 1/4" NPT 111 1AB	0.98"	0.49"	2.48"	1.85"	0.27"	1.26"	0.98"	2.24"	0.67"	1/4" NPT	0.24"	0.24"
GEM 1/4" SAE 111 1AB	0.98"	0.49"	2.48"	1.85"	0.27"	1.26"	0.98"	2.24"	0.67"	SAE-4	0.24"	0.24"

## ORDERING INFO

Part #	Ports	Working Pressure	Weight
GEM 1/4" NPT 111 1AB	1/4" NPT	7250 PSI	0.50 lb
GEM 1/4" SAE 111 1AB	SAE-4	7250 PSI	0.50 lb

## SPECIFICATIONS

New design allows for increased security.  
Kits are field installable.  
Constructed of zinc plated carbon steel

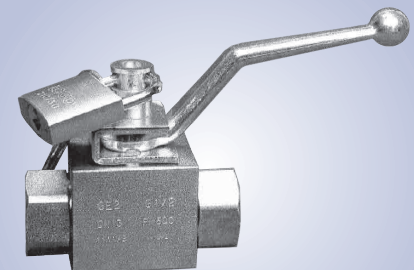


## ORDERING INFO

If ordering factory installed add -LK to the end of the ball valve #  
i.e.: GE2-N-1/4"-LK

Value Size	Kit #
1/4"-1/2"	<b>GE-LK-6</b>
3/4"-1-1/2" reduced bore	<b>GE-LK-20</b>
1-1/4"-2" full bore	<b>GB-LK</b>

## Locking Kits



**-LK**

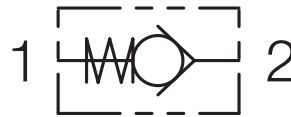
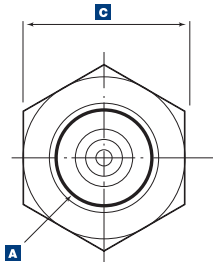
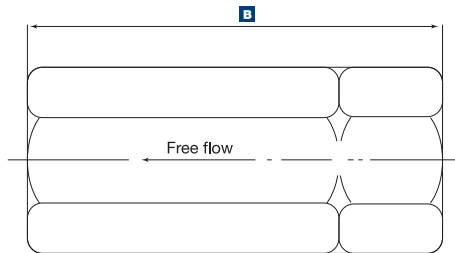


NC

## SPECIFICATIONS

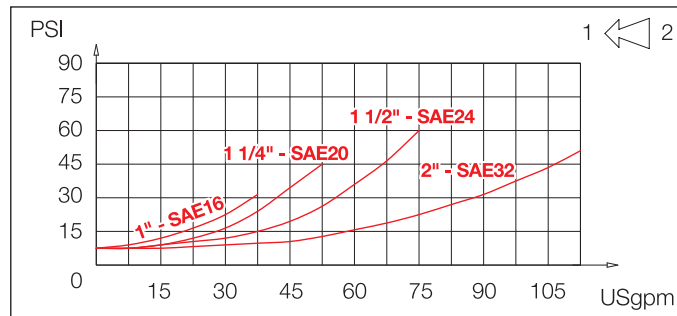
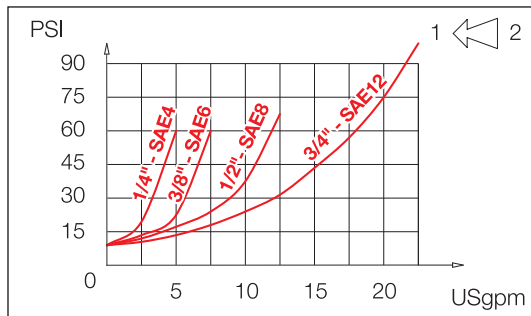
Maximum operating pressure	1/4" - 3/4"	5800 PSI (400 bar)
	1" - 2"	5075 PSI (350 bar)
Temperature range	-4°F to 176°F	
Poppet seat	Metal to metal	
Material	Steel with trivalent (CR3) plated finish for corrosion protection	
Size	Up to 2 inch	
Options	7 PSI or 65 PSI cracking pressure Call for other settings	

## DIMENSIONS



Model	A thread	B	C	Rated Flow	Weight	Model	A thread	B	C	Rated Flow	Weight
NC-250-S-*-NN	1/4" NPT	2.28"	0.75"	4 GPM	0.22 lb	NC-1000-S-*-N	1" NPT	4.33"	1.6"	39.6 GPM	1.7 lb
NC-250-S-*-SAE	7/16"-20 UNF	2.17"	0.75"	4 GPM	0.20 lb	NC-1000-S-*-SAE	1-5/16"-12 UNF	4.33"	1.6"	39.6 GPM	1.6 lb
NC-375-S-*-N	3/8" NPT	2.72"	0.95"	7.9 GPM	0.40 lb	NC-1250-S-*-N	1-1/4" NPT	4.72"	2.2"	52.8 GPM	3.3 lb
NC-375-S-*-SAE	9/16"-18 UNF	2.28"	0.75"	7.9 GPM	0.24 lb	NC-1250-S-*-SAE	1-5/8"-12 UNF	4.72"	2.2"	52.8 GPM	3.4 lb
NC-500-S-*-N	1/2" NPT	2.95"	1.0"	13.2 GPM	0.50 lb	NC-1500-S-*-N	1-1/2" NPT	5.43"	2.4"	79.2 GPM	5.7 lb
NC-500-S-*-SAE	3/4"-16 UNF	2.71"	0.95"	13.2 GPM	0.40 lb	NC-1500-S-*-SAE	1-7/8"-12 UNF	5.43"	2.4"	79.2 GPM	5.5 lb
NC-750-S-*-N	3/4" NPT	3.48"	1.38"	23.8 GPM	1.0 lb	NC-2000-S-*-N	2" NPT	5.43"	3.0"	113.5 GPM	6.6 lb
NC-750-S-*-SAE	1-1/16"-12 UNF	3.48"	1.38"	23.8 GPM	1.0 lb	NC-2000-S-*-SAE	2-1/2"-12 UNF	5.43"	3.0"	113.5 GPM	6.4 lb

## PERFORMANCE CURVES



## ORDERING INFORMATION

NC-

Check valve series

500

Size

250 - 1/4"    1000 - 1"  
 375 - 3/8"    1250 - 1-1/4"  
 500 - 1/2"    1500 - 1-1/2"  
 750 - 3/4"    2000 - 2"

S-

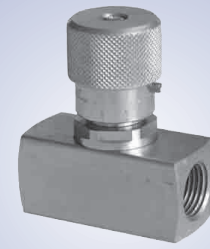
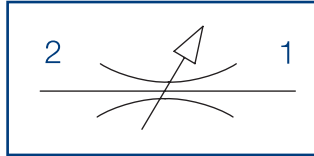
Material  
Steel

65-

Cracking pressure  
 7 - 7.25 PSI  
 65 - 65.25 PSI

SAE

Threads  
 N - NPT  
 SAE - SAE



**NNV-NPTF**



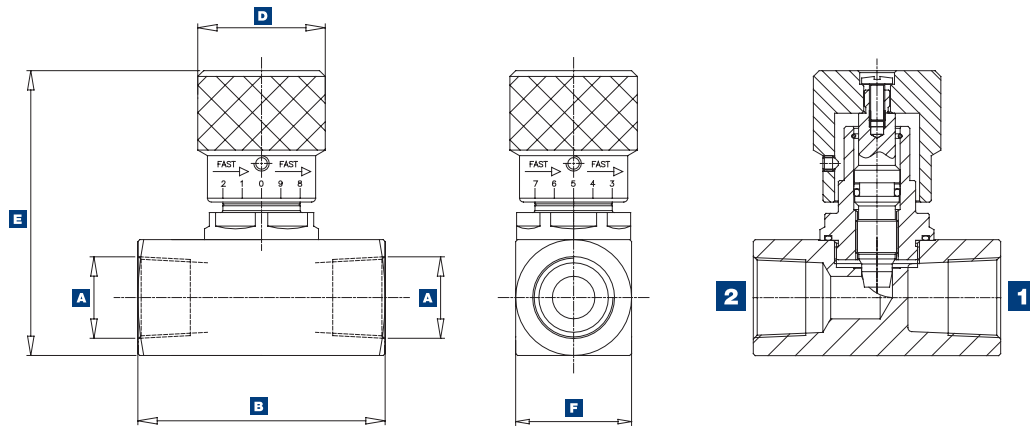
## SPECIFICATIONS

Fluid viscosity	45 to 2000 ssu (6 to 420 cSt)
Filtration	SAE class 4 or better
Fluid temperature	-4°F to 176°F
Ambient temperature	-4°F to 122°F

## MATERIALS

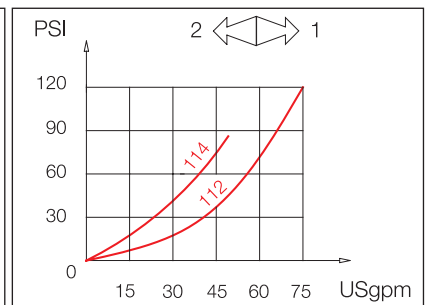
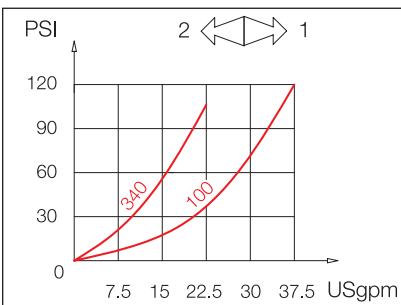
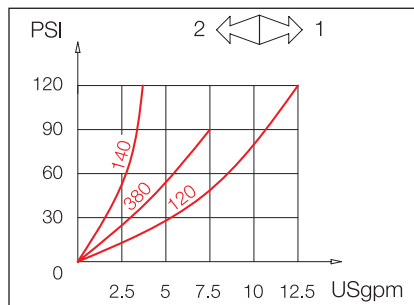
Valve body-setting fitting	High resistance steel CF39SMnPb36 (EN10087)
Setting knob	Aluminium P-AlCu5.5PbBi (UNI 90002/5)
Setting spool	High resistance steel CF35SMnPb10 (EN10087)
O-ring	NBR 70 Sh
External treatment	Zinc plating FeZn8c1A (UNI 2081)

## DIMENSIONS & TECHNICAL PERFORMANCE



Code	A	Max flow	Max pressure	B	D	E	F	Approx. wt.
NNV-1/4"-NPT	NPTF 1/4	4 gpm	5800 PSI	2.13"	1.18"	2.68"	0.98"	0.71 lb
NNV-3/8"-NPT	NPTF 3/8	8 gpm	5800 PSI	2.13"	1.18"	2.68"	0.98"	0.66 lb
NNV-1/2"-NPT	NPTF 1/2	13 gpm	5800 PSI	2.52"	1.30"	2.84"	1.18"	1.03 lb
NNV-3/4"-NPT	NPTF 3/4	21 gpm	5800 PSI	3.19"	1.65"	3.70"	1.57"	2.31 lb
NNV-1"-NPT	NPTF 1	40 gpm	5800 PSI	4.02"	1.65"	3.90"	1.77"	2.95 lb
NNV-1-1/4"-NPT	NPTF 1-1/4	50 gpm	4000 PSI	4.02"	2.08"	4.78"	2.16"	5.21 lb
NNV-1-1/2"-NPT	NPTF 1-1/2	80 gpm	4000 PSI	4.02"	2.08"	5.17"	2.55"	6.60 lb

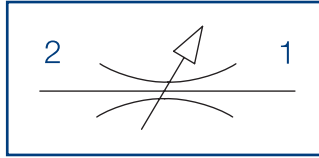
## PRESSURE DROPS



## Inline Needle Valves



**NNV-SAE**



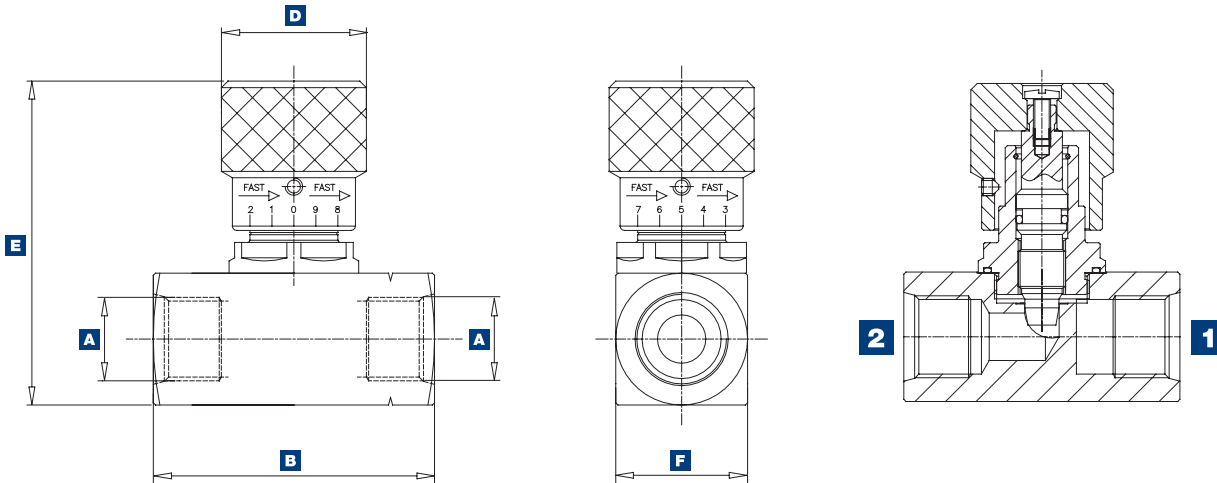
### SPECIFICATIONS

Fluid viscosity	45 to 2000 ssu (6 to 420 cSt)
Filtration	SAE class 4 or better
Fluid temperature	-4°F to 176°F
Ambient temperature	-4°F to 122°F

### MATERIALS

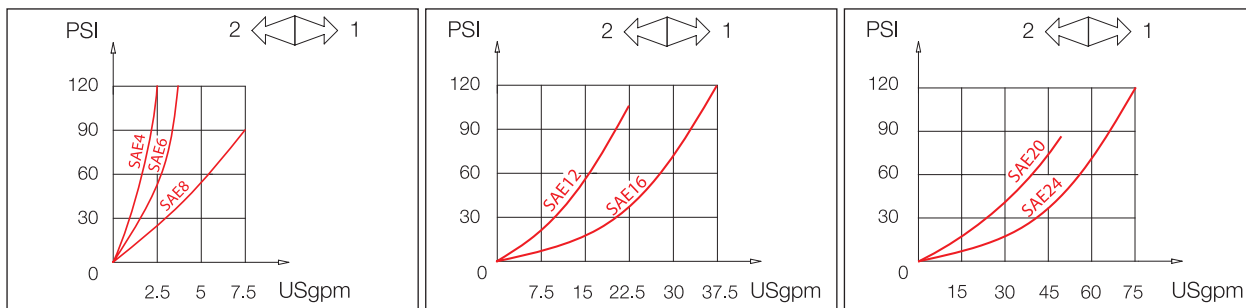
Valve body-setting fitting	High resistance steel CF39SMnPb36 (EN10087)
Setting knob	Aluminium P-AlCu5.5PbBi (UNI 90002/5)
Setting spool	High resistance steel CF35SMnPb10 (EN10087)
O-ring	NBR 70 Sh
External treatment	Zinc plating FeZn8c1A (UNI 2081)

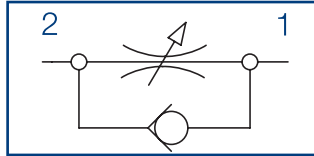
### DIMENSIONS & TECHNICAL PERFORMANCE



Code	A	Max flow	Max pressure	B	D	E	F	Approx. wt.
NNV-SAE4	7/16 - 20UNF	4 gpm	5800 PSI	2.13"	1.18"	2.68"	0.98"	0.71 lb
NNV-SAE6	9/16 - 18UNF	8 gpm	5800 PSI	2.13"	1.18"	2.68"	0.98"	0.66 lb
NNV-SAE8	3/4 - 16UNF	13 gpm	5800 PSI	2.52"	1.30"	2.84"	1.18"	1.03 lb
NNV-SAE12	1-1/16 - 12UNF	21 gpm	5800 PSI	3.19"	1.65"	3.70"	1.57"	2.31 lb
NNV-SAE16	1-5/16 - 12UNF	40 gpm	5800 PSI	4.02"	1.65"	3.90"	1.77"	2.95 lb
NNV-SAE20	1-5/8 - 12UN	50 gpm	4000 PSI	4.02"	2.08"	4.78"	2.16"	5.21 lb
NNV-SAE24	1-7/8 - 12UN	80 gpm	4000 PSI	4.02"	2.08"	5.17"	2.55"	6.60 lb

### PRESSURE DROPS





## SPECIFICATIONS

Fluid viscosity	45 to 2000 ssu (6 to 420 cSt)
Filtration	SAE class 4 or better
Fluid temperature	-4°F to 176°F
Ambient temperature	-4°F to 122°F

## MATERIALS

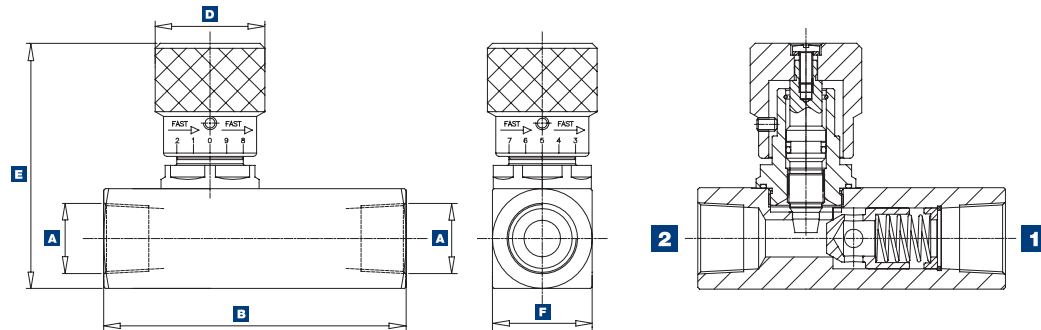
Valve body-setting fitting-thread/ring	High resistance steel CF39SMnPb36 (EN10087)
Setting knob	Aluminium P-AlCu5.5PbBi (UNI 90002/5)
Setting spool	High resistance steel CF35SMnPb10 (EN10087)
Poppet	High resistance steel 16CrNi4Pb ( EN10084) - Hardened (UNI5381) and ground
Spring	High resistance steel Oteva 70 (EN10270/2)
O-ring	NBR 70 Sh
Elastic ring	UNI 7437
External treatment	Zinc plating FeZn8c1A (UNI 2081)



**NFC-NPTF**

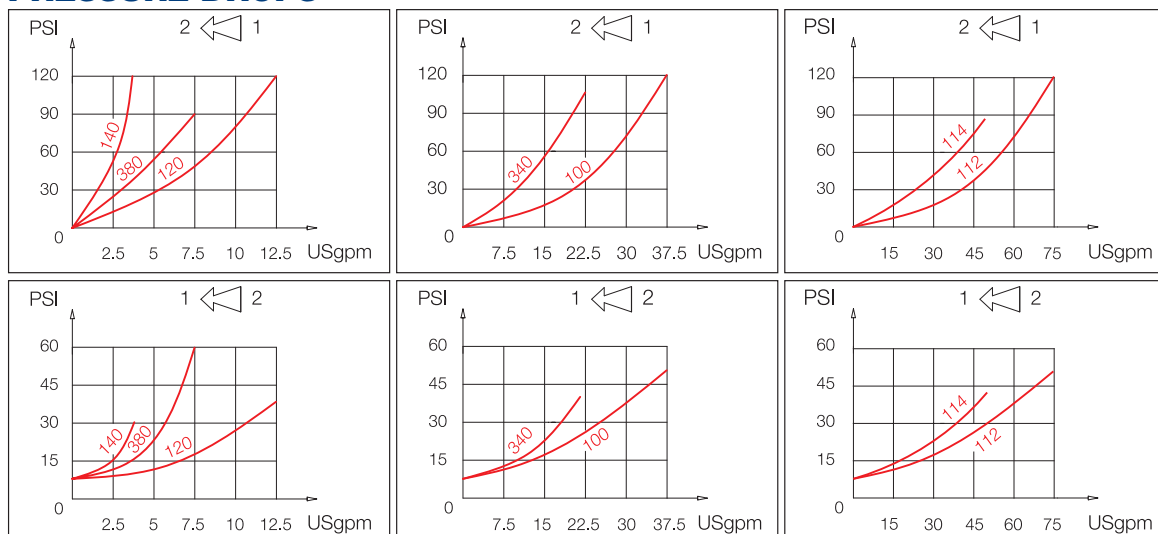


## DIMENSIONS & TECHNICAL PERFORMANCE



Code	A	Max flow	Max pressure	B	D	E	F	Approx. wt.
NFC-1/4"-NPT	NPTF 1/4	4 gpm	5800 PSI	2.60"	1.18"	2.68"	0.98"	0.75 lb
NFC-3/8"-NPT	NPTF 3/8	8 gpm	5800 PSI	3.03"	1.18"	2.68"	0.98"	0.90 lb
NFC-1/2"-NPT	NPTF 1/2	13 gpm	5800 PSI	3.58"	1.30"	2.83"	1.18"	1.32 lb
NFC-3/4"-NPT	NPTF 3/4	21 gpm	5800 PSI	4.43"	1.65"	3.70"	1.57"	3.09 lb
NFC-1"-NPT	NPTF 1	40 gpm	5800 PSI	5.55"	1.65"	3.90"	1.77"	4.20 lb
NFC-1-1/4"-NPT	NPTF 1-1/4	50 gpm	4000 PSI	6.10"	2.08"	4.78"	2.16"	6.73 lb
NFC-1-1/2"-NPT	NPTF 1-1/2	80 gpm	4000 PSI	6.61"	2.08"	5.17"	2.55"	10.00 lb

## PRESSURE DROPS

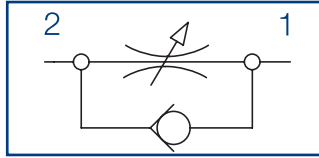




# Inline Flow Control Valves



**NFC-DAE**



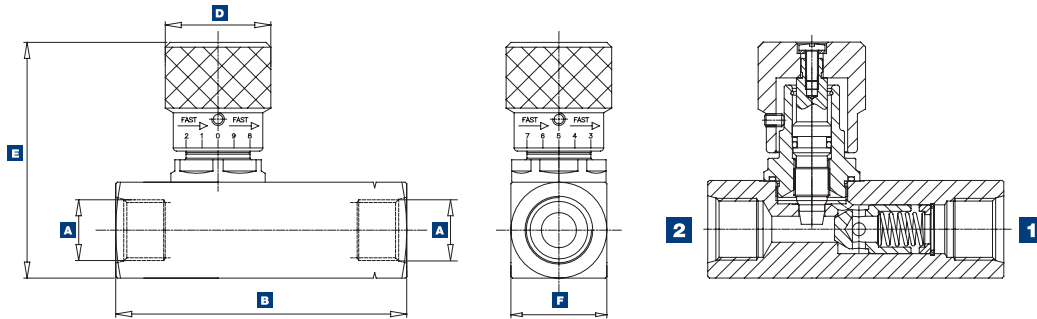
## SPECIFICATIONS

Fluid viscosity	45 to 2000 ssu (6 to 420 cSt)
Filtration	SAE class 4 or better
Fluid temperature	-4°F to 176°F
Ambient temperature	-4°F to 122°F

## MATERIALS

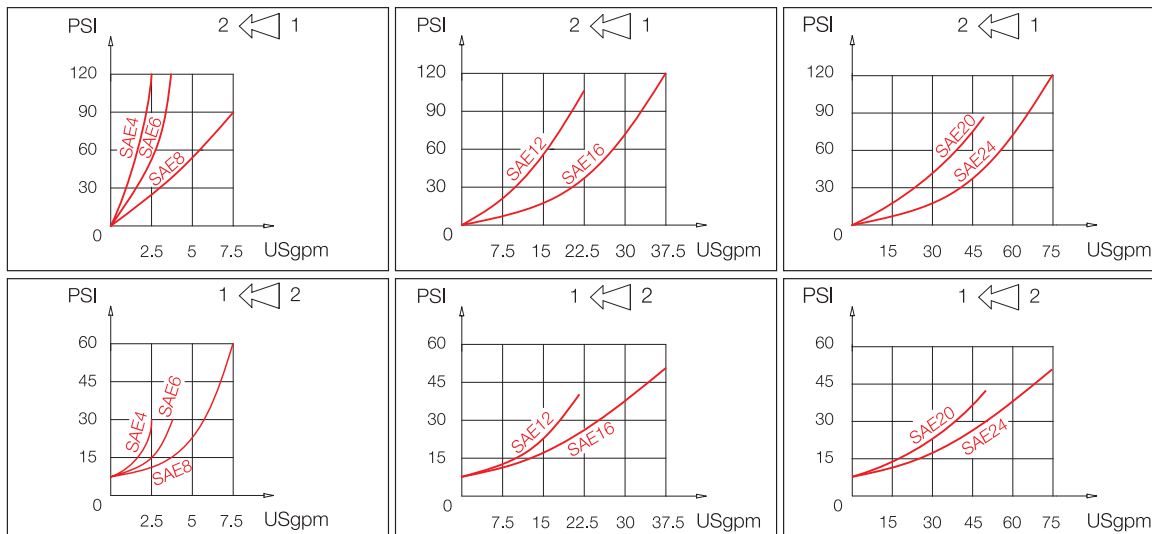
Valve body-setting fitting-thread/ring	High resistance steel CF39SMnPb36 (EN10087)
Setting knob	Aluminium P-AlCu5.5PbBi (UNI 90002/5)
Setting spool	High resistance steel CF35SMnPb10 (EN10087)
Poppet	High resistance steel 16CrNi4Pb ( EN10084) - Hardened (UNI5381) and ground
Spring	High resistance steel Oteva 70 (EN10270/2)
O-ring	NBR 70 Sh
Elastic ring	UNI 7437
External treatment	Zinc plating FeZn8c1A (UNI 2081)

## DIMENSIONS & TECHNICAL PERFORMANCE



Code	A	Max flow	Max pressure	B	D	E	F	Approx. wt.
NFC-DAE4	7/16 - 20UNF	4 gpm	5800 PSI	2.60"	1.18"	2.68"	0.98"	0.85 lb
NFC-DAE6	9/16 - 18UNF	8 gpm	5800 PSI	2.78"	1.18"	2.68"	0.98"	0.88 lb
NFC-DAE8	3/4 - 16UNF	13 gpm	5800 PSI	3.58"	1.30"	2.83"	1.18"	1.32 lb
NFC-DAE12	1-1/16 - 12UN	21 gpm	5800 PSI	4.43"	1.65"	3.70"	1.57"	2.80 lb
NFC-DAE16	1-5/16 - 12UN	40 gpm	5800 PSI	5.55"	1.65"	3.90"	1.77"	4.11 lb
NFC-DAE20	1-5/8 - 12UN	50 gpm	4000 PSI	6.10"	2.08"	4.78"	2.16"	6.73 lb
NFC-DAE24	1-7/8 - 12UN	80 gpm	4000 PSI	6.61"	2.08"	5.17"	2.55"	10.00 lb

## PRESSURE DROPS





**PCC-\*-51**

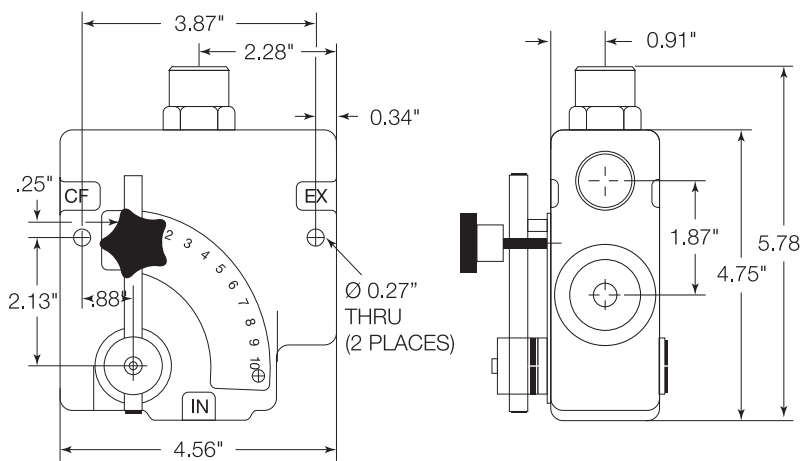
## FEATURES

PCC-\*-51 model is a full range pressure compensating variable flow control. It is designed so that the orifice area varies as the lever is rotated. The outlet flow is smooth and constant regardless of the pressure on the control flow or excess flow ports. An adjustable ball spring relief allows for pressure compensated flow up to the pressure setting on the relief. Relief valves are preset at 1500 psi and field adjustable from 750 to 3000 psi.

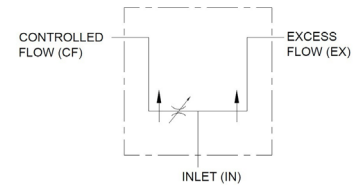
## MATERIALS

Cast iron body, heat treated compensator spool, stainless steel rotary spool, Buna N "O" rings (standard).

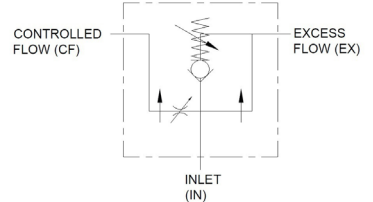
## DIMENSIONS



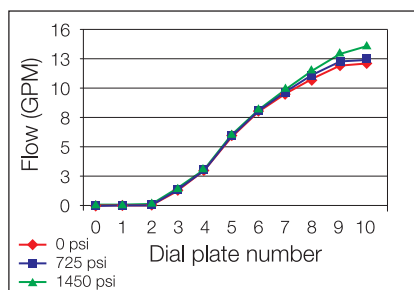
**PCCN-51**



**PCCR-51**



## FLOW CURVE & INFORMATION



Code	Size	Flow
38-N	3/8"-NPT	0-8 gpm
12-N	1/2"-NPT	0-16 gpm
34-N	3/4"-NPT	0-30 gpm
08-S	3/4-16 UNF	0-8 gpm
10-S	7/8-14 UNF	0-16 gpm
12-S	1 1/16-12 UNF	0-30 gpm

\*RATED FOR 3000 PSI (207 BAR)

## ORDERING INFORMATION

**PCC-**

Pressure compensated flow control

**R-**

R - Adjustable ball spring relief  
N - No relief

**51-**

Standard flow control

**34-N**

Port size:  
38-N 08-S  
12-N 10-S  
34-N 12-S

