





TABLE OF CONTENTS



PRESSURE

SPA / SPF	4
SWA / SWF	6
SMA / SMF	8
SDCA / SDCF	10
KAPS / KAPF	12
SKBA / SKBF	14
SKDF	16
SLBA / SLBF	18
SPAL / SPFL / SPFLH	20
SLF	22
SPAH / SPFH	24

PRESSURE

TRANSDUCER

T200 / T201	26
TI2C	28
TC	30

PRESSURE
TRANSDUCER

TEMPERATURE

TT - Temperature Transducer	32
S2TAF / S3TAF	34
S5TAF / S7TAF	36
S6TAF / S8TAF	38

TEMPERATURE
(Switch &
Transducer)

DIFFERENTIAL

DSPA / DSPF	40
-------------------	----

DIFFERENTIAL

VACUUM

SVA / SVF	42
SPVL / SPVF	44

VACUUM

LEVEL

ULS	46
LF1	48
LF2	49
LEVEL SWITCH CHART	50
LEVEL SWITCH SPECIFICATION	51
VE	52
VEC	53

LEVEL

MISC

OPTIONS - DESCRIPTION	54
OPTIONS - AVAILABILITY	55
MATERIAL COMPATIBILITY	56
ELECTRICAL CONFIGURATION	57
GLOSSARY	58

MISC



DESCRIPTION

The SPA is a miniature pressure switch with a high quality snap action micro switch. It is suitable for pneumatic, water, and any low pressure hydraulic applications. The switch is field adjustable with an allen screw and now features an optional IP67 rating for any of our flying lead options (CA and CS). Lead free brass is available for special application requirements.

FEATURES

- Low pressure switch
- Factory set or field adjustable
- Compact size
- Cost effective

APPLICATIONS

- Pneumatic system control
- Low pressure filter monitoring
- Car washes
- Gate control

* UL available for certain models

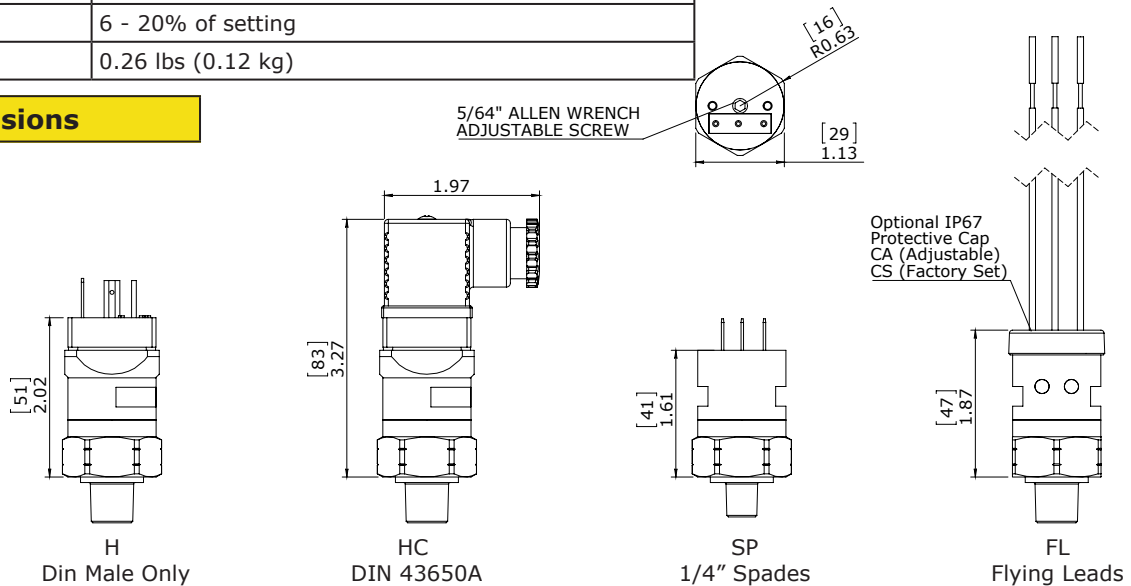
Specifications

Electrical	5A [12/24 VDC, 125 VAC] or 3A [250 VAC] Optional: 10A or Gold Contact
Switch Type	Snap Action
Protection	DIN 43650A - IP65, Terminals - IP00, CA/CS - IP67
Temperature Range	-20°F to 180°F (-29°C to 82°C) Nitrile
Mechanical Range	1,000,000 Cycles @ 75 PSI (5.2 BAR)
Diaphragm Material	Standard: Nitrile Optional: Viton, EPDM, HNBR
Housing Material	Brass (Optional Stainless Steel)
Maximum Overpressure	350 PSI (24 BAR)
Repeatability	+/- 2% of full set point range at 20°C (68°F)
Differential	6 - 20% of setting
Weight	0.26 lbs (0.12 kg)

Pressure Range

Model	Adjustment Range	
	PSI	BAR
1	3 - 7	0.2 - 0.5
2	5 - 30	0.3 - 2.1
3	25 - 150	1.7 - 10

Dimensions



Wiring Code

CONTACT	FLYING LEADS	DIN 43650 TYPE	FLWF / FLWM FLCM / FLCF / FLPM / FLPF		FLDR / FLDP	
			SPDT MODEL	SPST MODEL	SPDT MODEL	SPST MODEL
COMMON	BLACK	PIN 1	PIN A	PIN A	PIN A	PIN 1
NORMALLY CLOSED	BLUE	PIN 2	PIN C	PIN B	PIN C	PIN 2
NORMALLY OPEN	RED	PIN 3	PIN B	PIN B	PIN B	PIN 2

Ordering Information

Field Adjustable

SPA - ¹**2** - ²**2M** - ³**C** - ⁴**HC** - ^{5 (Optional)}**1**

Factory Preset

SPF - ¹**30F** - ²**2M** - ³**C** - ⁴**HC** - ^{5 (Optional)}**1**

1 - Pressure Selection:

Field Adjustable - Select Model Code

Model	Adjustment Range	
	PSI	BAR
1	3 - 7	0.2 - 0.5
2	5 - 30	0.3 - 2.1
3	25 - 150	1.7 - 10

OR

Insert set point value XXX followed by: R, F, BR, or BF

Set Point	Direction	Description
XXXX	R	PSI Rising Pressure
	F	PSI Falling Pressure
	BR	BAR Rising Pressure
	BF	BAR Falling Pressure

2 - Thread Options:

- 2M** - 1/8 NPT male
- 4M** - 1/4 NPT male
- 2G** - 1/8 BSPP male, G1/8
- 4G** - 1/4 BSPP male, G1/4
- 4S** - 7/16-20 SAE male, with O-ring seal
- 6S** - 9/16-18 SAE male, with O-ring seal

3 - Circuit:

- A** - SPST (Normally Open)
- B** - SPST (Normally Closed)
- C** - SPDT (Single Pole Double Throw : Normally Open and Normally Closed)

4 - Electrical Termination:

- HC** - DIN 43650A - connector type (only available in SPDT option)
- HN** - DIN 43650A 1/2" NPT Conduit (only available in SPDT option)
- FL** - Flying Lead 18" long, 18 AWG
- FLWF** - Flying Lead Weatherpack connector, female, Tower, 10" long leads
- FLWM** - Flying Lead Weatherpack connector, male, Shroud, 10" long leads
- FLDP** - Flying Lead Deutsch connector, plug, 10" long leads
- FLDR** - Flying Lead Deutsch connector, receptacle, 10" long leads
- FLCM** - Flying Lead Metripack, male, 150 series, 10" long leads
- FLCF** - Flying Lead Metripack, female, 150 series, 10" long leads
- FLPM** - Flying Lead Metripack, male, 280 series, 10" long leads
- FLPF** - Flying Lead Metripack, female, 280 series, 10" long leads
- SP** - 1/4" Spade

5 - Options (Omit if not required):

- 1** - Viton® Diaphragm
- 2** - EPDM Diaphragm
- 3** - 316 Stainless Steel Housing
- 4** - HNBR Diaphragm
- 6** - Lead Free Brass
- 7** - Gold Contact, Snap Action Microswitch @ 20 mA/12 VDC (minimum set point 5 psi)
- 8** - 10 amp, Snap Action Microswitch @ 10(2) 125 VAC (inductive), 6(2) 250 VAC (inductive) (minimum set point 5 psi)
- 20** - Seal Adjustment Screw
- OC** - Oxygen Cleaned Switches
- SR** - Snubber
- CA** - IP67 rated protective cover with a removable plug (For adjustable switches, SPA flying lead model)
- CS** - IP67 rated protective cover (For factory set switches, SPF flying lead model)



Note: Please see page 52 for other available options



* UL available for certain models

DESCRIPTION

The SWA is a compact designed pressure switch ideal for OEM applications. It is available with WRAS approved EPDM diaphragm for potable water use. Features a high quality snap action micro switch for years of trouble free operation. Lead free brass is now available for special application requirements.

FEATURES

- Very Compact
- Factory set or field adjustable
- Internally vented option
- WRAS approved EPDM diaphragms available

APPLICATION

- Water pressure boost pumps
- Filter monitoring

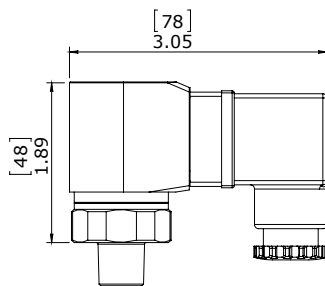
Specifications

Electrical	5A [12/24 VDC, 125 VAC] or 3A [250 VAC] Optional: 10A or Gold Contact
Switch Type	Snap Action
Protection	DIN 43650A - IP65, Flying Leads - IP64, CA/CS - IP67
Temperature Range	-20°F to 180°F (-29°C to 82°C) Nitrile
Diaphragm Material	Standard: Nitrile Optional: Viton, EPDM, HNBR
Housing Material	Brass (Optional Stainless Steel)
Maximum Overpressure	250 PSI (17 BAR)
Repeatability	+/- 2% of full set point range at 20°C (68°F)

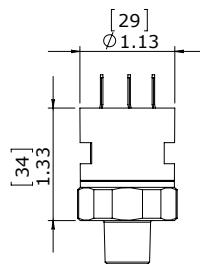
Pressure Range

Model	Adjustment Range	
	PSI	BAR
1	7 - 21	0.5 - 1.5
2	15 - 35	1.0 - 2.4
4	30 - 100	2.1 - 6.9

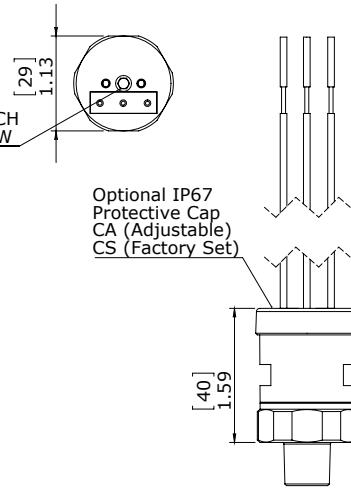
Dimensions



HCR
Right angled DIN
43650A



SP
1/4" Spades



FL
Flying Leads

Wiring Code

CONTACT	FLYING LEADS	DIN 43650 TYPE	FLWM / FLWM		FLDR / FLDP	
			FLCM / FLCF / FLPM / FLPF			
			SPDT MODEL	SPST MODEL	SPDT MODEL	SPST MODEL
COMMON	BLACK	PIN 1	PIN A	PIN A	PIN A	PIN 1
NORMALLY CLOSED	BLUE	PIN 2	PIN C	PIN B	PIN C	PIN 2
NORMALLY OPEN	RED	PIN 3	PIN B	PIN B	PIN B	PIN 2

Ordering Information

Field Adjustable

SWA - ¹2 - ²2M - ³C - ⁴FL - ^{5 (Optional)}1

Factory Preset

SWF - ¹30F - ²2M - ³C - ⁴FL - ^{5 (Optional)}1

1 - Pressure Selection:

Field Adjustable - Select Model Code

Insert set point value XXX followed by: R, F, BR, or BF

Model	Adjustment Range	
	PSI	BAR
1	7 - 21	0.5 - 1.5
2	15 - 35	1.0 - 2.4
4	30 - 100	2.1 - 6.9

OR

Set Point	Direction	Description
XXXX	R	PSI Rising Pressure
	F	PSI Falling Pressure
	BR	BAR Rising Pressure
	BF	BAR Falling Pressure

2 - Thread Options:

- 2M - 1/8 NPT male
- 4M - 1/4 NPT male
- 2G - 1/8 BSPP male, G1/8
- 4G - 1/4 BSPP male, G1/4

3 - Circuit:

- A - SPST (Normally Open)
- B - SPST (Normally Closed)
- C - SPDT (Single Pole Double Throw : Normally Open and Normally Closed)

4 - Electrical Termination:

- HCR - 90 Degree DIN 43650A - connector type - (only available in SPDT option)
- FL - Flying Lead 18" long, 18 AWG
- FLWF - Flying Lead Weatherpack connector, female, Tower, 10" long leads
- FLWM - Flying lead Weatherpack connector, male, Shroud, 10" long leads
- FLDP - Flying Lead Deutsch connector, plug, 10" long leads
- FLDR - Flying Lead Deutsch connector, receptacle, 10" long leads
- FLCM - Flying Lead Metripack, male, 150 series, 10" long leads
- FLCF - Flying Lead Metripack, female, 150 series, 10" long leads
- FLPM - Flying Lead Metripack, male, 280 series, 10" long leads
- FLPF - Flying Lead Metripack, female, 280 series, 10" long leads
- SP - 1/4" Spade

5 - Options (Omit if not required):

- 1 - Viton® Diaphragm
- 2 - EPDM Diaphragm
- 3 - 316 Stainless Steel Housing
- 4 - HNBR Diaphragm
- 6 - Lead Free Brass
- 7 - Gold Contact, Snap Action Microswitch @ 20 mA/12 VDC
- 8 - 10 amp, Snap Action Microswitch @ 10(2) 125 VAC (inductive), 6(2) 250 VAC (inductive)
- 20 - Seal Adjustment Screw
- OC - Oxygen Cleaned Switches
- SR - Snubber
- CA - IP67 rated protective cover with a removable plug (For adjustable switches, SWA flying lead model)
- CS - IP67 rated protective cover (For factory set switches, SWF flying lead model)



Note: Please see page 52 for other available options



DESCRIPTION

The SMA pressure switch is ideal for many hydraulic and pneumatic applications. It utilizes a proven piston/diaphragm design to provide excellent accuracy and high proof pressures with zero leakage. Any flying leads are available with IP67 rating "CA" & "CS" option, making it an exceptional product for outdoor environments.

FEATURES

- Snap action micro switch
- Factory set or field adjustable
- Diaphragm/piston design for longevity
- Wide adjustment range
- High proof pressures

APPLICATIONS

- Hydraulic system control
- Material handling equipment
- Lubrication systems
- Garbage compactors

* UL available for certain models

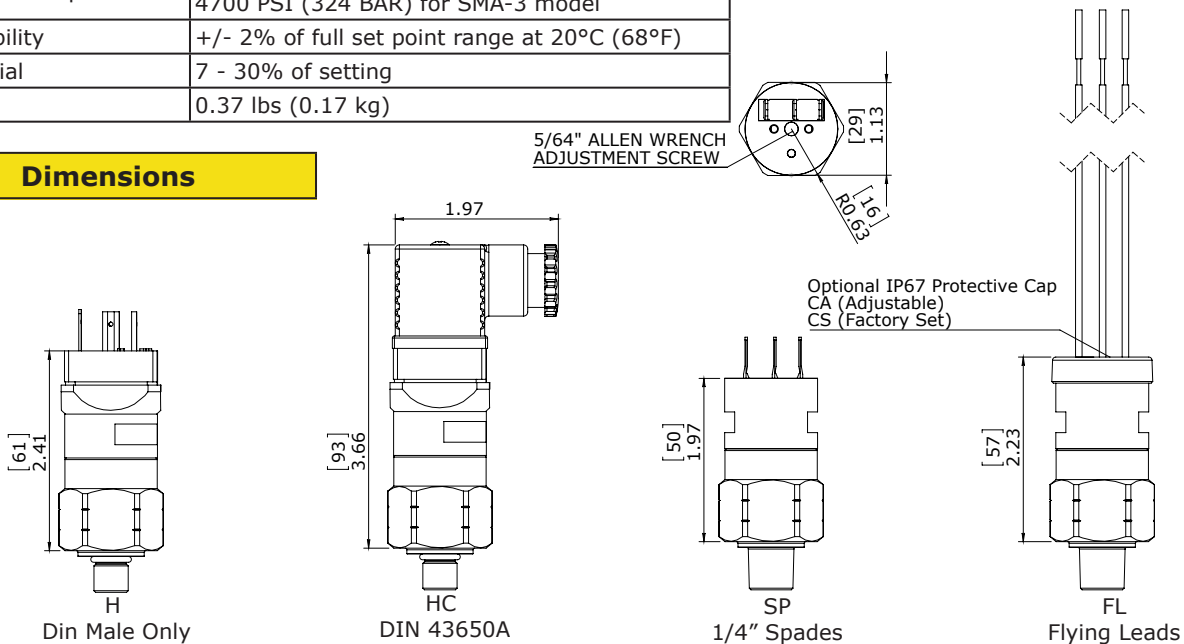
Specifications

Electrical	5A [12/24 VDC, 125 VAC] or 3A [250 VAC] Optional: 10A or Gold Contact
Switch Type	Snap Action
Protection	DIN 43650A - IP65, Terminals - IP00 CA/CS - IP67
Temperature Range	-20°F to 180°F (-29°C to 82°C) Nitrile
Mechanical Range	1,000,000 Cycles @ 1000 PSI (69 BAR)
Diaphragm Material	Standard: Nitrile Optional: Viton, EPDM, HNBR
Housing Material	Zinc Plated Steel (Optional Stainless Steel)
Maximum Overpressure	9000 PSI (620 BAR) 4700 PSI (324 BAR) for SMA-3 model
Repeatability	+/- 2% of full set point range at 20°C (68°F)
Differential	7 - 30% of setting
Weight	0.37 lbs (0.17 kg)

Pressure Range

Model	Adjustment Range	
	PSI	BAR
3	10 - 35	0.7 - 2.4
4	30 - 120	2.0 - 8.0
5	75 - 300	5.2 - 21
6	300 - 1200	21 - 83
7	1000 - 3000	69 - 207
8	2000 - 5000	138 - 345

Dimensions



Wiring Code

CONTACT	FLYING LEADS	DIN 43650 TYPE	FLWF / FLWM FLCM / FLCF / FLPM / FLPF		FLDR / FLDP	
			SPDT MODEL	SPST MODEL	SPDT MODEL	SPST MODEL
COMMON	BLACK	PIN 1	PIN A	PIN A	PIN A	PIN 1
NORMALLY CLOSED	BLUE	PIN 2	PIN C	PIN B	PIN C	PIN 2
NORMALLY OPEN	RED	PIN 3	PIN B	PIN B	PIN B	PIN 2

Ordering Information

Field Adjustable

SMA - ¹**4** - ²**2M** - ³**C** - ⁴**HC** - ^{5 (Optional)}**1**

Factory Preset

SMF - ¹**30F** - ²**2M** - ³**C** - ⁴**HC** - ^{5 (Optional)}**1**

1 - Pressure Selection:

Field Adjustable - Select Model Code

Insert set point value XXXX followed by: R, F, BR, or BF

Model	Adjustment Range	
	PSI	BAR
3	10 - 35	0.7 - 2.4
4	30 - 120	2.0 - 8.0
5	75 - 300	5.2 - 21
6	300 - 1200	21 - 83
7	1000 - 3000	69 - 207
8	2000 - 5000	138 - 345

OR

Set Point	Direction	Description
XXXX	R	PSI Rising Pressure
	F	PSI Falling Pressure
	BR	BAR Rising Pressure
	BF	BAR Falling Pressure

2 - Thread Options:

- 2M** - 1/8 NPT male
- 4M** - 1/4 NPT male
- 2G** - 1/8 BSPP male, G1/8
- 4G** - 1/4 BSPP male, G1/4
- 4S** - 7/16-20 SAE male, with O-ring seal
- 4SLN** - 7/16-20 SAE male, with O-ring seal, adjustable
- 6S** - 9/16-18 SAE male, with O-ring seal
- M10** - M10 X 1.0 male (ISO 9974)
- M12** - M12 X 1.5 male (ISO 9974)

3 - Circuit:

- A** - SPST (Normally Open)
- B** - SPST (Normally Closed)
- C** - SPDT (Single Pole Double Throw : Normally Open and Normally Closed)

4 - Electrical Termination:

- HC** - DIN 43650A - connector type (only available in SPDT option)
- HN** - DIN 43650A 1/2" NPT Conduit (only available in SPDT option)
- FL** - Flying Lead 18" long, 18 AWG
- FLWF** - Flying Lead Weatherpack connector, female, Tower, 10" long leads
- FLWM** - Flying Lead Weatherpack connector, male, Shroud, 10" long leads
- FLDP** - Flying Lead Deutsch connector, plug, 10" long leads
- FLDR** - Flying Lead Deutsch connector, receptacle, 10" long leads
- FLCM** - Flying Lead Metripack, male, 150 series, 10" long leads
- FLCF** - Flying Lead Metripack, female, 150 series, 10" long leads
- FLPM** - Flying Lead Metripack, male, 280 series, 10" long leads
- FLPF** - Flying Lead Metripack, female, 280 series, 10" long leads
- SP** - 1/4" Spade

5 - Options (Omit if not required):

- 1** - Viton® Diaphragm
- 2** - EPDM Diaphragm
- 3** - 316 Stainless Steel Housing
- 4** - HNBR Diaphragm
- 7** - Gold Contact, Snap Action Microswitch @ 20 mA/12 VDC
- 8** - 10 amp, Snap Action Microswitch @ 10(2) 125 VAC (inductive), 6(2) 250 VAC (inductive)
- 20** - Seal Adjustment Screw
- OC** - Oxygen Cleaned Switches
- SR** - Snubber
- CA** - IP67 rated protective cover with a removable plug (For adjustable switches, SMA flying lead model)
- CS** - IP67 rated protective cover (For factory set switches, SMF flying lead model)



Note: Please see page 52 for other available options



DESCRIPTION

A robust pressure switch with full metal stops for demanding applications. Features a heavy steel body providing high proof pressures as well as an outstanding burst pressure rating. Excellent for hydraulic applications that may see system pressure shock.

FEATURES

- Snap action micro switch
- Factory set or field adjustable
- Full metal stops
- High proof pressure

APPLICATIONS

- Industrial equipment
- Scissor lifts
- Presses
- Cranes

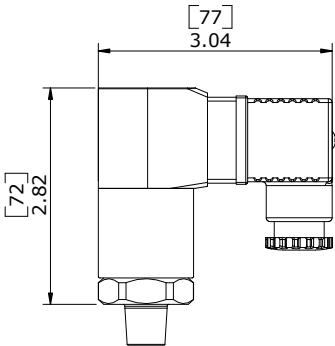
Specifications

Electrical	5A [12/24 VDC, 125 VAC] or 3A [250 VAC] Optional: 10A or Gold Contact
Switch Type	Snap Action
Protection	DIN 43650A - IP65, Terminals - IP00
Temperature Range	-20°F to 180°F (-29°C to 82°C) Nitrile
Mechanical Range	1,000,000 Cycles @ 1000 PSI (69 BAR)
Diaphragm Material	Standard: Nitrile Optional: Viton, EPDM, HNBR
Housing Material	Zinc Plated Steel (Optional Stainless Steel)
Maximum Overpressure	12000 PSI (827 BAR)
Repeatability	+/- 2% of full set point range at 20°C (68°F)
Differential	7 - 30 % of setting
Weight	0.69 lbs (0.31 kg)

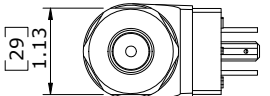
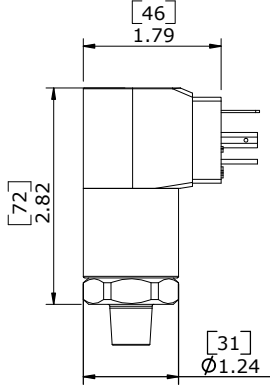
Pressure Range

Model	Adjustment Range	
	PSI	BAR
2	15 - 75	1.2 - 5.2
3	50 - 150	3.4 - 10
4	150 - 650	10 - 44
5	500 - 1750	34 - 120
6	1500 - 6000	103 - 413

Dimensions

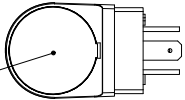


HCR
Right angled DIN
43650A



HR
Right angled DIN
43650A male only

1/8" ALLEN WRENCH
ADJUSTMENT SCREW
UNDERNEATH LID



Wiring Code

CONTACT	DIN 43650 TYPE
COMMON	PIN 1
NORMALLY CLOSED	PIN 2
NORMALLY OPEN	PIN 3

Ordering Information

Field Adjustable	SDCA	-	¹ 2	-	² 2M	-	³ C	-	⁴ HCR	-	^{5 (Optional)} 1
Factory Preset	SDCF	-	¹ 50F	-	² 2M	-	³ C	-	⁴ HCR	-	^{5 (Optional)} 1

1 - Pressure Selection

Field Adjustable - Select Model Code

Insert set point value XXX followed by: R, F, BR, or BF

Model	Adjustment Range	
	PSI	BAR
2	15 - 75	1.2 - 5.2
3	50 - 150	3.4 - 10
4	150 - 650	10 - 44
5	500 - 1750	34 - 120
6	1500 - 6000	103 - 413

OR

Set Point	Direction	Description
XXXX	R	PSI Rising Pressure
	F	PSI Falling Pressure
	BR	BAR Rising Pressure
	BF	BAR Falling Pressure

2 - Thread Options:

- 4M** - 1/4 NPT male
- 4MF** - 1/4 NPT female
- 4G** - 1/4 BSPP male, G1/4
- 4GF** - 1/4 BSPP female, G1/4
- 4S** - 7/16-20 SAE male, with O-ring seal



3 - Circuit:

- C** - SPDT (Single Pole Double Throw)

4 - Electrical Termination:

- HCR** - 90 Degree DIN 43650A PG9/PG11
- HNR** - 90 Degree DIN 43650A 1/2" NPT Conduit

5 - Options (Omit if not required):

- 1** - Viton® Diaphragm
- 2** - EPDM Diaphragm
- 3** - 316 Stainless Steel Process Connection
- 4** - HNBR Diaphragm
- 7** - Gold Contact, Snap Action Microswitch @ 20mA/12VDC
- 8** - 10 amp, Snap Action Microswitch @ 10(2) 125 VAC (inductive), 6(2) 250 VAC (inductive)
- 20** - Seal Adjustment Screw
- OC** - Oxygen Cleaned Switches
- SR** - Snubber

Note: Please see page 52 for other available options



DESCRIPTION

The KAPS/KAPF is a piston pressure switch featuring an external adjustment knob to easily adjust set point . The switch is IP67 rated, enabling high performance in most outdoor conditions. It is excellent for hydraulic applications requiring long cycle life.

FEATURES

- Snap action micro switch
- Factory set or field adjustable
- Full metal stops
- High proof pressure

APPLICATIONS

- Industrial equipment
- Scissor lifts
- Presses
- Cranes

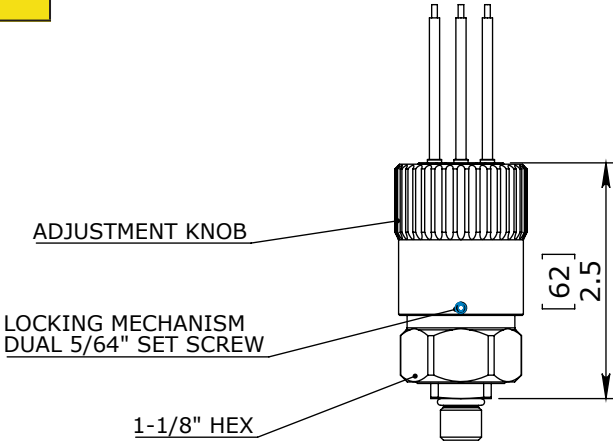
Specifications

Electrical	5A [12/24 VDC, 125 VAC/250 VAC] Optional: 10A or Gold Contact
Switch Type	Snap Action
Protection	IP67
Temperature Range	-20°F to 248°F (-29°C to 120°C) HNBR
Mechanical Range	1,000,000 Cycles @ 2500 PSI (172 BAR)
Piston Seal	HNBR
Housing Material	Zinc Plated Steel
Maximum Overpressure	15000 PSI (1034 BAR)
Repeatability	+/- 2% of full set point range at 20°C (68°F)
Differential	6 - 25 % of setting
Weight	0.44 lbs (0.2 kg)

Pressure Range

Model	Adjustment Range	
	PSI	BAR
5	350 - 1000	24 - 69
6	600 - 1600	41 - 110
7	1000 - 3200	69 - 220

Dimensions



Wiring Code

CONTACT	FLYING LEADS	FLWF / FLWM FLCM / FLCF / FLPM / FLPF		FLDR / FLDP	
		SPDT MODEL	SPST MODEL	SPDT MODEL	SPST MODEL
COMMON	BLACK	PIN A	PIN A	PIN A	PIN 1
NORMALLY CLOSED	BLUE	PIN C	PIN B	PIN C	PIN 2
NORMALLY OPEN	RED	PIN B	PIN B	PIN B	PIN 2

Ordering Information

Field Adjustable	KAPS	-	5	-	4M	-	C	-	FL	-	1
Factory Preset	KAPF	-	350F	-	4M	-	C	-	FL	-	1

1 - Pressure Selection

Field Adjustable - Select Model Code

Insert set point value XXX followed by: R, F, BR, or BF

Model	Adjustment Range	
	PSI	BAR
5	350 - 1000	24 - 69
6	600 - 1600	41 - 110
7	1000 - 3200	69 - 220

OR

Set Point	Direction	Description
XXXX	R	PSI Rising Pressure
	F	PSI Falling Pressure
	BR	BAR Rising Pressure
	BF	BAR Falling Pressure

2 - Thread Options:

- 4M** - 1/4 NPT male
- 4S** - 7/16-20 SAE male, with O-ring seal

3 - Circuit:

- A** - SPST (Normally Open)
- B** - SPST (Normally Closed)
- C** - SPDT (Single Pole Double Throw: Normally Open and Normally Closed)

4 - Electrical Termination:

- FL** - Flying Lead 18" long, 18 AWG
- FLWF** - Flying Lead Weatherpack connector, female, Tower, 10" long leads
- FLWM** - Flying Lead Weatherpack connector, male, Shroud, 10" long leads
- FLDP** - Flying Lead Deutsch connector, plug, 10" long leads
- FLDR** - Flying Lead Deutsch connector, receptacle, 10" long leads
- FLCM** - Flying Lead Metripack, male, 150 series, 10" long leads
- FLCF** - Flying Lead Metripack, female, 150 series, 10" long leads
- FLPM** - Flying Lead Metripack, male, 280 series, 10" long leads
- FLPF** - Flying Lead Metripack, female, 80 series, 10" long leads

5 - Options (Omit if not required):

- 1** - Viton® Seal
- 7** - Gold Contact, Snap Action Microswitch @ 20mA/12VDC
- 8** - 10 amp, Snap Action Microswitch @ 10(1.5) 125 VAC/250 VAC (inductive)



Note: Please see page 52 for other available options



DESCRIPTION

A miniature pressure switch with high proof pressures ideal for mobile and other harsh applications. It is a well sealed design that offers ingress protection to IP68 when paired with the flying lead option. It is offered with a variety of mechanical and electrical terminations for easy integration.

FEATURES

- Silver nickel alloy contacts
- Diaphragm/piston combination
- High ingress protection
- Compact body
- Gold contact available

APPLICATIONS

- Industrial tools
- Garbage trucks
- Brake pressure switch

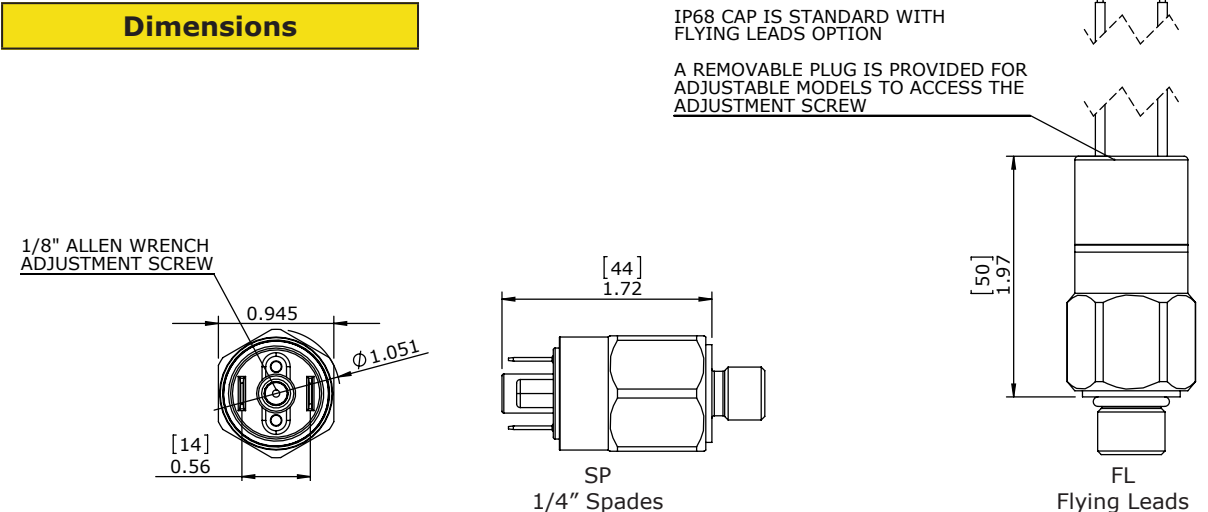
Specifications

Electrical	100 VA, 42 VDC Optional: Gold Contact
Switch Type	Blade Contact
Protection	Exposed Terminals - IP00 (IP68 Available)
Temperature Range	-20°F to 180°F (-29°C to 82°C) Nitrile
Mechanical Range	1,000,000 Cycles @ 1000 PSI (69 BAR)
Diaphragm Material	Standard: Nitrile Optional: Viton, EPDM, HNBR
Housing Material	Zinc Plated Steel
Maximum Overpressure	9000 PSI (600 BAR)
Repeatability	+/- 3% of full set point range at 20°C (68°F) SKBA-1 model, +/- 1.5 psi
Weight	0.16 lbs (0.07 kg)

Pressure Range

Model	Adjustment Range	
	PSI	BAR
1	5 - 20	0.3 - 1.4
2	20 - 120	1.4 - 8.2
3	90 - 250	6.2 - 17
4	250 - 950	17 - 65
5	700 - 1900	48 - 131
6	1000 - 3000	69 - 206

Dimensions



Wiring Code

CONTACT	FLYING LEADS	FLWF / FLWM WEATHERPACK	FLDR / FLDP DEUTSCH RECEPTACLE / PLUG
COMMON	BLACK	PIN A	PIN 1
NORMALLY CLOSED	BLACK	PIN B	PIN 2
NORMALLY OPEN	BLACK	PIN B	PIN 2

Ordering Information

Field Adjustable

SKBA - ¹2 - ²2M - ³B - ⁴SP - ^{5 (Optional)}1

Factory Preset

SKBF - ¹30F - ²2M - ³B - ⁴SP - ^{5 (Optional)}1

1 - Pressure Selection:

Field Adjustable - Select Model Code

Insert set point value XXXX followed by: R, F, BR, or BF

Model	Adjustment Range	
	PSI	BAR
1	5 - 20	0.1 - 1.4
2	20 - 120	1.4 - 8.2
3	90 - 250	6.2 - 17
4	250 - 950	17 - 65
5	700 - 1900	48 - 131
6	1000 - 3000	69 - 206

OR

Set Point	Direction	Description
XXXX	R	PSI Rising Pressure
	F	PSI Falling Pressure
	BR	BAR Rising Pressure
	BF	BAR Falling Pressure

2 - Thread Options:

- 2M - 1/8 NPT male
- 4M - 1/4 NPT male
- 2G - 1/8 BSPP male, G1/8
- 4G - 1/4 BSPP male, G1/4
- 4S - 7/16-20 SAE male, with O-ring seal
- 6S - 9/16-18 SAE male, with O-ring seal
- M10 - M10 X 1.0 male (ISO 9974)
- M12 - M12 X 1.5 male (ISO 9974)

3 - Circuit:

- A - SPST (Normally Open)
- B - SPST (Normally Closed)

4 - Electrical Termination:

- FL - Flying Lead 18" long, 18 AWG, IP68 cap is standard with this option
- FLWF - Flying Lead Weatherpack connector, female, Tower, 10" long leads
- FLWM - Flying Lead Weatherpack connector, male, Shroud, 10" long leads
- FLDP - Flying Lead Deutsch connector, plug, 10" long leads
- FLDR - Flying Lead Deutsch connector, receptacle, 10" long leads
- SP - 1/4" Spade

5 - Options (Omit if not required):

- 1 - Viton® Diaphragm
- 2 - EPDM Diaphragm
- 4 - HNBR Diaphragm
- 7 - Gold Contact, 0.4 VA, 30 VDC
- 20 - Seal Adjustment Screw
- 30 - Rubber Boot - Removable (Excludes IP68 Cap if selected)
- OC - Oxygen Cleaned Switches
- SR - Snubber



Note: Please see page 52 for other available options



DESCRIPTION

One of the smallest pressure switches in the market offering an integrated Deutsch receptacle. Plug in a mating Deutsch DT06-2S plug for an instant solution to the constant water spray present in mobile applications.

FEATURES

- Silver nickel alloy contacts
- Direct blade contact
- Diaphragm/Piston combination
- Integrated Deutsch receptacle
- Gold contact available

APPLICATIONS

- Mobile equipment
- Street sweepers
- Cement trucks
- Aerial booms

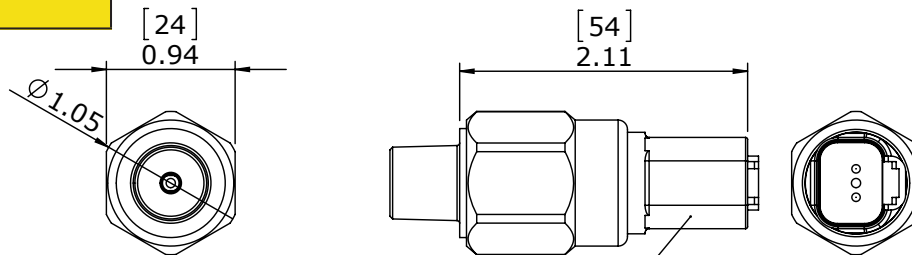
Specifications

Electrical	100 VA, 42 VDC Optional: Gold Contact
Switch Type	Blade Contact
Protection	IP67
Mating Connector	DT06-2S
Temperature Range	-20°F to 180°F (-29°C to 82°C) Nitrile
Mechanical Range	1,000,000 Cycles @ 1000 PSI (69 BAR)
Diaphragm Material	Standard: Nitrile Optional: Viton, EPDM, HNBR
Housing Material	Zinc Plated Steel (Optional Stainless Steel)
Maximum Overpressure	9000 PSI (600 BAR)
Repeatability at 20°C (68°F)	5 psi to 14.5 psi = +/- 1.5 psi 12.5 to 145 psi = +/- 5 psi 146 to 350 psi = +/- 11 psi 351 to 1000 psi = +/- 30 psi 1001 to 2175 psi = +/- 65 psi
Weight	0.15 lbs (0.06 kg)

Pressure Range

Set Point	
PSI	BAR
5 - 2175	0.3 - 150

Dimensions



DT04-2P, 2 POLE RECEPTACLE MATING; DT06-2S, 2 POLE PLUG

Wiring Code

CONTACT	DEUTSCH RECEPTACLE
COMMON	PIN A
NORMALLY CLOSED	PIN B
NORMALLY OPEN	PIN B

Ordering Information

Factory Preset

SKDF - ¹30F - ²2M - ³B - ⁴DR - ^{5 (Optional)}1

1 - Pressure Selection

Insert set point value XXX followed by: R, F, BR, or BF

Set Point	Direction	Description
XXXX	R	PSI Rising Pressure
	F	PSI Falling Pressure
	BR	BAR Rising Pressure
	BF	BAR Falling Pressure

2 - Thread Options:

- 2M** - 1/8 NPT male
- 4M** - 1/4 NPT male
- 2G** - 1/8 BSPP male, G1/8
- 4G** - 1/4 BSPP male, G1/4
- 4S** - 7/16-20 SAE male, with O-ring seal
- 6S** - 9/16-18 SAE male, with O-ring seal
- M10** - M10 X 1.0 male (ISO 9974)
- M12** - M12 X 1.5 male (ISO 9974)

3 - Circuit:

- A** - SPST (Normally Open)
- B** - SPST (Normally Closed)

4 - Electrical Termination:

- DR** - Integrated Deutsch Receptacle - Mates with DT06-2S

5 - Options (Omit if not required):

- 1** - Viton® Diaphragm
- 2** - EPDM Diaphragm
- 4** - HNBR Diaphragm
- 7** - Gold Contact, 0.4 VA, 30 VDC
- 20** - Seal Adjustment Screw
- OC** - Oxygen Cleaned Switches
- SR** - Snubber



Note: Please see page 52 for other available options



DESCRIPTION

The SLBA / SLBF pressure switch is designed with a teflon coated polyimide diaphragm allowing for exceptional use in harsh temperatures with minimal effect to the set point. This switch is ideal for low pressure applications under 500 psi.

FEATURES

- Silver nickel alloy contacts
- Minimal temperature effect
- Vented internal system
- Compact body

APPLICATIONS

- Oil pressure switch
- Fuel pressure switch
- Boost pressure switch

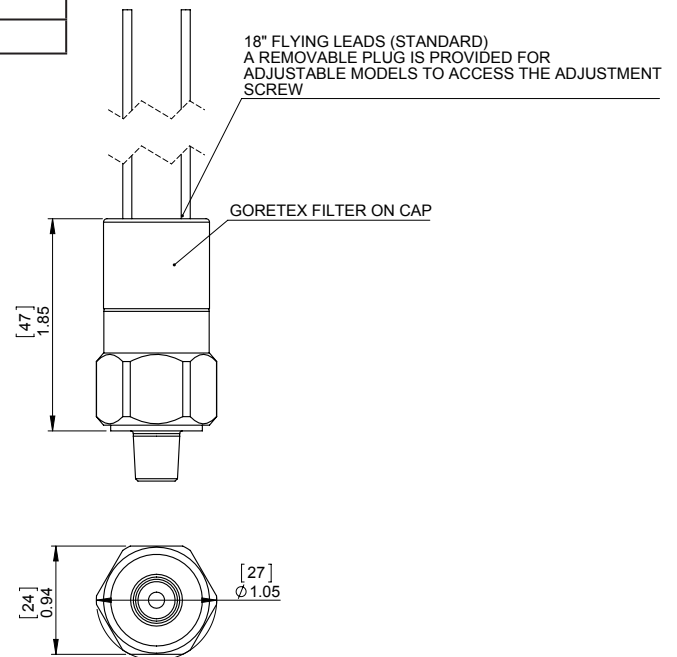
Specifications

Electrical	100 VA, 42 VDC
Switch Type	Blade Contact
Protection	IP68
Temperature Range	-40°F to 230°F (-40°C to 110°C)
Mechanical Range	1,000,000 Cycles @ 75 PSI
Diaphragm Material	Teflon coated polyimide
Housing Material	Brass
Seals	EPDM
Maximum Overpressure	500 psi
Repeatability	+/- 3% of full set point range
Weight	0.16 lbs (0.07 kg)

Pressure Range

MODEL	ADJUSTMENT RANGE	
	PSI	BAR
1	2 - 20	0.1 - 1.4
2	20 - 60	1.4 - 4.2
3	50 - 130	3.5 - 9.0

Dimensions



Wiring Code

CONTACT	FLYING LEADS	FLWF	FLDR / FLDP DEUTSCH RECEPTACLE / PLUG
COMMON	BLACK	PIN A	PIN 1
NORMALLY CLOSED	BLACK	PIN B	PIN 2
NORMALLY OPEN	BLACK	PIN B	PIN 2

Ordering Information

Field Adjustable	SLBA	-	¹ 1	-	² 2M	-	³ A	-	⁴ FL	-	⁵ 2	-	^{6 (Optional)} 7
Factory Preset	SLBF	-	¹ 30F	-	² 2M	-	³ A	-	⁴ FL	-	⁵ 2	-	^{6 (Optional)} 7

1 - Pressure Selection:

Field Adjustable - Select Model Code

MODEL	ADJUSTMENT RANGE	
	PSI	BAR
1	2 - 20	0.1 - 1.4
2	20 - 60	1.4 - 4.2
3	50 - 135	3.5 - 9.0

OR

Insert set point value XXX followed by: R, F, BR, or BF

Set point	Direction	Description
XXXX	R	PSI Rising Pressure
	F	PSI Falling Pressure
	BR	BAR Rising Pressure
	BF	BAR Falling Pressure

2 - Thread Options:

2M - 1/8 NPT male

3 - Circuit:

- A** - SPST (Normally Open)
- B** - SPST (Normally Closed)

4 - Electrical Termination:

- FL** - Flying Lead 18" long, 18 AWG, IP68 Cap is standard with this option
- FLWF** - Flying Lead Weatherpack connector, female, Tower, 10" long leads
- FLWM** - Flying Lead Weatherpack connector, male, Shroud, 10" long leads
- FLDP** - Flying Lead Deutsch connector, plug, 10" long leads
- FLDR** - Flying Lead Deutsch connector, receptacle, 10" long leads
- FLCM** - Flying Lead Metripack, male, 150 series, 10" long leads
- FLCF** - Flying Lead Metripack, female, 150 series, 10" long leads
- FLPM** - Flying Lead Metripack, male, 280 series, 10" long leads
- FLPF** - Flying Lead Metripack, female, 280 series, 10" long leads

5 - Diaphragm Material:

2 - EPDM Diaphragm

6 - Options (Omit if not required):

- 7** - Gold Contact, 0.4VA, 30 VDC
- SR** - Snubber



Note: Please see page 52 for other available options



DESCRIPTION

A simple and common pressure switch utilizing a polyimide diaphragm for extended duty applications. It is used in many automotive applications for monitoring of engine functions and auxiliary devices.

FEATURES

- Gold plated silver alloy contacts
- High current ratings
- Works well in extreme temperatures
- Very economical

APPLICATIONS

- Oil pressure switch
- Fuel pressure switch
- Exhaust pressure switch
- Air brake switch

Specifications

	Resistive	Inductive
Electrical	15 AMP - 6 VDC	1 AMP - 120 VAC
	8 AMP - 12 VDC	0.5 AMP - 240 VAC
	4 AMP - 24 VDC	
Switch Type	Blade Contact	
Protection	Terminals - IP00	
Temperature Range	-40°F to 248°F (-40°C to 120°C) Polyimide Film	
Mechanical Range	1,000,000 Cycles @ 75 PSI (5.2 BAR)	
Diaphragm Material	Standard: Polyimide Film Optional: EPDM (must be selected when in contact with water)	
Housing Material	Brass, Glass Reinforced Polyester (Optional Stainless Steel)	
Maximum Overpressure	Model 1A to 5A - 150 PSI (3.5 BAR) Model 6A to 8A - 250 PSI (17 BAR) Model 1H to 5H - 500 PSI (34 BAR)	
Weight	0.14 lbs (0.06 kg)	

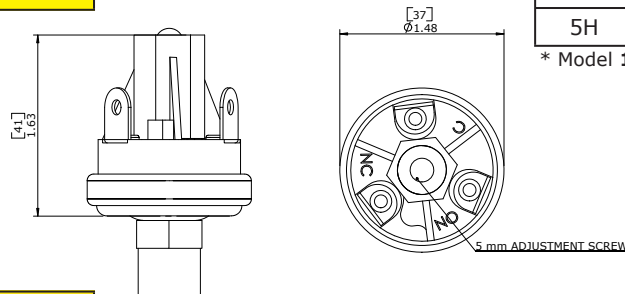
Pressure Range

Model	Adjustment Range	
	PSI	BAR
1A	0.5 - 1.0	0.03 - 0.07
2A	1.1 - 3.0	0.08 - 0.21
3A	3.1 - 7.0	0.21 - 0.49
4A	8.0 - 13	0.55 - 0.90
5A	14 - 24	0.97 - 1.65
6A	25 - 50	1.72 - 3.45
7A	51 - 90	3.52 - 6.20
8A	91 - 150	6.27 - 10.34

Model	Adjustment Range	
	PSI	BAR
1H	10 - 35	0.69 - 2.41
2H	35 - 75	2.41 - 5.17
3H	75 - 150	5.17 - 10.34
4H	150 - 250	10.34 - 17.24
5H	250 - 400	17.24 - 27.58

* Model **1H** to **5H** has an overpressure of 500 PSI

Dimensions



Wiring Code

CONTACT	FLYING LEADS	DIN 43650 TYPE	FLWF / FLWM FLCM / FLCF / FLPM / FLPF		FLDR / FLDP	
			SPDT MODEL	SPST MODEL	SPDT MODEL	SPST MODEL
COMMON	BLACK	PIN 1	PIN A	PIN A	PIN A	PIN 1
NORMALLY CLOSED	BLUE	PIN 2	PIN C	PIN B	PIN C	PIN 2
NORMALLY OPEN	RED	PIN 3	PIN B	PIN B	PIN B	PIN 2

Ordering Information

Field Adjustable

1 2 3 4 5 (Optional)
SPAL - **2A** - **2M** - **B** - **FL** - **3**

Factory Preset

1 2 3 4 5 (Optional)
SPFL - **30F** - **2M** - **B** - **FL** - **3**

Factory Preset

1 2 3 4 5 (Select this ordering code if you require a factory set switch with the high overpressure option.)
SPFLH - **30F** - **2M** - **B** - **FL** - **3**

1 - Pressure Selection:

Field Adjustable - Select Model Code

Model	Adjustment Range	
	PSI	BAR
1A	0.5 - 1.0	0.03 - 0.07
2A	1.1 - 3.0	0.08 - 0.21
3A	3.1 - 7.0	0.21 - 0.49
4A	8.0 - 13	0.55 - 0.90
5A	14 - 24	0.97 - 1.65
6A	25 - 50	1.72 - 3.45
7A	51 - 90	3.52 - 6.20
8A	91 - 150	6.27 - 10.34
1H	10 - 35	0.69 - 2.41
2H	35 - 75	2.41 - 5.17
3H	75 - 150	5.17 - 10.34
4H	150 - 250	10.34 - 17.24
5H	250 - 400	17.24 - 27.58

OR

Insert set point value XXX followed by: R, F, BR, or BF

Set Point	Direction	Description
XXXX	R	PSI Rising Pressure
	F	PSI Falling Pressure
	BR	BAR Rising Pressure
	BF	BAR Falling Pressure

*If you require a factory preset switch with an overpressure higher than 250 PSI, please select the model code SPFLH.

2 - Thread Options:

- 2M** - 1/8 NPT male
- 4M** - 1/4 NPT male
- 2G** - 1/8 BSPP male, G1/8
- 4G** - 1/4 BSPP male, G1/4

3 - Circuit:

- A** - SPST (Normally Open)
- B** - SPST (Normally Closed)
- D** - SPDT (Single Pole Double Throw : Normally Open and Normally Closed)
- E** - SPDT (Single Pole Double Throw, Adjustable Differential)

4 - Electrical Termination:

- FL** - Flying Lead 18" long, 18 AWG
- FLWF** - Flying Lead Weatherpack connector, female, Tower, 10" long leads
- FLWM** - Flying Lead Weatherpack connector, male, Shroud, 10" long leads
- FLDP** - Flying Lead Deutsch connector, plug, 10" long leads
- FLDR** - Flying Lead Deutsch connector, receptacle, 10" long leads
- FLCM** - Flying Lead Metripack, male, 150 series, 10" long leads
- FLCF** - Flying Lead Metripack, female, 150 series, 10" long leads
- FLPM** - Flying Lead Metripack, male, 280 series, 10" long leads
- FLPF** - Flying Lead Metripack, female, 280 series, 10" long leads
- SP** - 1/4" Spade
- TS** - Terminal Screws, #8-32

5 - Options (Omit if not required):

- 2** - EPDM Diaphragm
- 3** - Stainless Steel Housing
- 20** - Seal Adjustment Screw
- 30** - Rubber Boot - Removable



Note: Please see page 52 for other available options



DESCRIPTION

A basic snap disc design pressure switch for control applications. It has the ability to automatically reset pressure at various desired settings. Its main uses are in the air conditioning and refrigeration field.

FEATURES

- Stainless steel diaphragm
- Compact size
- Low cost
- Factory adjusted differential
- Preset differential

APPLICATIONS

- Air conditioning
- Refrigeration

Specifications

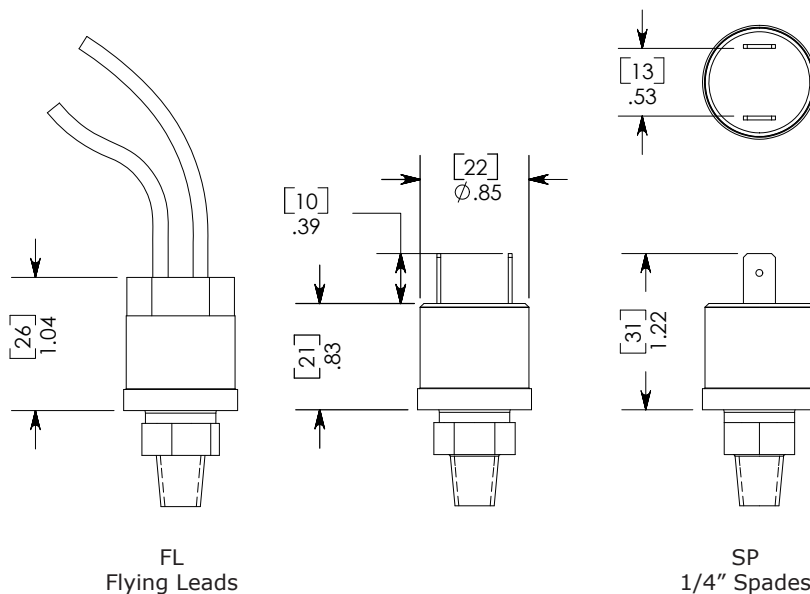
Electrical	2A [12/24 VDC] or 120/240 VAC, 375 VA
Switch Type	Snap Disc
Protection	Terminals - IP00
Temperature Range	-40°F to 180°F (-40°C to 82°C)
Mechanical Range	100,000 Cycles
Diaphragm Material	Standard: Stainless Steel
Housing Material	Brass
Maximum Overpressure	500 PSI (35 BAR) for set points up to 145 PSI (10 BAR) 770 PSI (55 BAR) for set points 146 PSI to 290 PSI (10.1 BAR - 20 BAR) 1200 PSI (85 BAR) for set points 291 PSI to 630 PSI (20.1 BAR - 45 BAR)
Weight	0.07 lbs (0.03 kg)

Pressure Range

Set Point	
PSI	BAR
5 - 650	0.3 - 45

*Factory Set Only

Dimensions



Wiring Code

CONTACT	FLYING LEADS	FLWF / FLWM WEATHERPACK	FLDR / FLDP DEUTSCH RECEPTACLE / PLUG
COMMON	BLACK	A	PIN 1
NORMALLY CLOSED	BLACK	B	PIN 2
NORMALLY OPEN	BLACK	B	PIN 2



Ordering Information

Factory Preset **SLF** - ¹**30R/25F** - ²**2M** - ³**A** - ⁴**FL**

1 - Pressure Selection

Insert rising and falling set point value XXX followed by: R, F, BR, or BF

Set Point	Direction	Description
XX/XX	R	PSI Rising Pressure
	F	PSI Falling Pressure
	BR	BAR Rising Pressure
	BF	BAR Falling Pressure

3 - Circuit:

- A** - SPST (Normally Open)
- B** - SPST (Normally Closed)

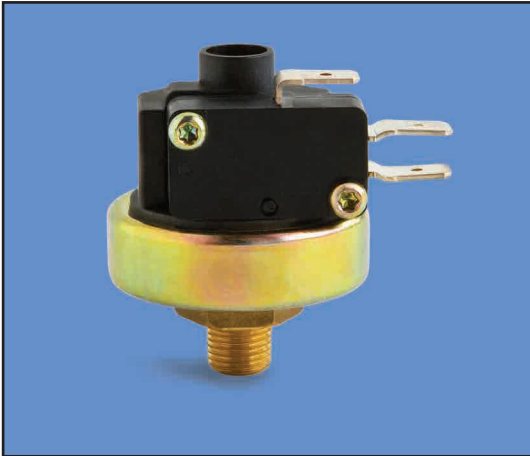
2 - Thread Options:

- 2M** - 1/8 NPT male
- 2MF** - 1/8 NPT female
- 4M** - 1/4 NPT male
- 4MF** - 1/4 NPT female
- 2G** - 1/8 BSPP male, G1/8
- 2GF** - 1/8 BSPP female, G1/8
- 4G** - 1/4 BSPP male, G1/4
- 4GF** - 1/4 BSPP female, G1/4
- SV** - Schreader valve

4 - Electrical Termination:

- FL** - Flying Lead 18" long, 18 AWG
- FLWF** - Flying Lead Weatherpack connector, female, Tower, 10" long leads
- FLWM** - Flying Lead Weatherpack connector, male, Shroud, 10" long leads
- FLDP** - Flying Lead Deutsch connector, plug, 10" long leads
- FLDR** - Flying Lead Deutsch connector, receptacle, 10" long leads
- FLCM** - Flying Lead Metripack, male, 150 series, 10" long leads
- FLCF** - Flying Lead Metripack, female, 150 series, 10" long leads
- FLPM** - Flying Lead Metripack, male, 280 series, 10" long leads
- FLPF** - Flying Lead Metripack, female, 280 series, 10" long leads
- SP** - 1/4" Spade
- TS** - Terminal Screw, #8-32

Note: Please see page 52 for other available options



DESCRIPTION

A small open type construction switch suitable for use in the electrical appliance market. Its high current ratings allow direct control of heating elements and motor loads without the use of an additional relay. It is ideal for high volume requirements.

FEATURES

- Very high current rating
- Compact size
- Open type construction

APPLICATIONS

- Household appliances
- Motor switching
- Heating element switching

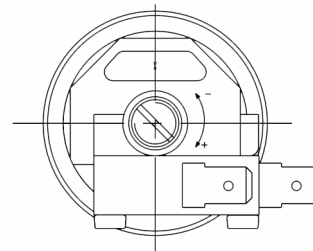
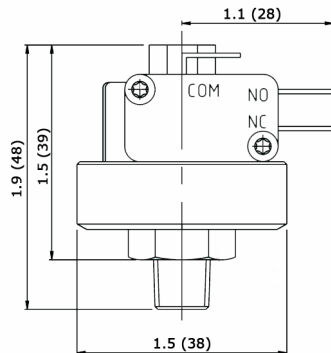
Specifications

Electrical	16A, 125/250 VAC 21A, 125/250 VAC
Switch Type	Snap Action
Protection	Terminals - IP00
Temperature Range	-20°F to 257°F (-29°C to 125°C)
Diaphragm Material	Standard: Stainless Steel
Housing Material	Brass , Glass reinforced polyester
Maximum Overpressure	Model 1 - 43 PSI (3 BAR) Model 2 - 58 PSI (4 BAR) Model 3 - 72 PSI (5 BAR) Model 4 - 87 PSI (6 BAR) Model 5 - 116 PSI (8 BAR) Model 6 - 145 PSI (10 BAR)
Weight	0.16 lbs (0.07 kg)

Pressure Range

Model	Adjustment Range	
	PSI	BAR
1	3 - 9	0.2 - 0.6
2	7 - 20	0.5 - 1.4
3	17 - 36	1.2 - 2.5
4	29 - 58	2.0 - 4.0
5	43 - 100	3.0 - 6.9
6	70 - 130	4.8 - 9.0

Dimensions



SP
1/4" Spades

Wiring Code

CONTACT	SP
COMMON	COM
NORMALLY CLOSED	NC
NORMALLY OPEN	NO

Ordering Information

Field Adjustable

SPAH - ¹2 - ²2M - ³C1 - ⁴QC1 - ⁵T1

Factory Preset

SPFH - ¹30F - ²2M - ³C1 - ⁴QC1 - ⁵T1

1 - Pressure Selection:

Field Adjustable - Select Model Code

Insert set point value XXXX followed by: R, F, BR, or BF

Model	Adjustment Range	
	PSI	BAR
1	3 - 9	0.2 - 0.6
2	7 - 20	0.5 - 1.4
3	17 - 36	1.2 - 2.5
4	29 - 58	2.0 - 4.0
5	43 - 100	3.0 - 6.9
6	70 - 130	4.8 - 9.0

OR

Set Point	Direction	Description
XXXX	R	PSI Rising Pressure
	F	PSI Falling Pressure
	BR	BAR Rising Pressure
	BF	BAR Falling Pressure

2 - Thread Options:

- 2M** - 1/8 NPT male
- 4M** - 1/4 NPT male
- 2G** - 1/8 BSPP male, G1/8
- 4G** - 1/4 BSPP male, G1/4

3 - Circuit:

- C1** - SPDT (Single Pole Double Throw) - 16A, 125/250 VAC
- C2** - SPDT (Single Pole Double Throw) - 22A, 125/250 VAC

4 - Electrical Termination:

- QC1** - Quick Connect 4.8 mm
- QC2** - Quick Connect 6.35 mm

5 - Temperature Rating:

- T1** - 85°C
- T2** - 125°C



Note: Please see page 52 for other available options



DESCRIPTION

The T200 / T201 series is suitable for both mobile and industrial applications. Its small profile is ideal for space constraints. The body is machined from a single piece of 304SS to provide added protection for the internal electronics. A piezoresistive ceramic sensor along with ASIC signal conditioning provides an excellent thermally compensated output.

FEATURES

- Piezoresistive Ceramic Sensor
- ASIC Signal conditioning

APPLICATIONS

- Industrial Equipment
- Safety Monitoring
- Mobile Equipment

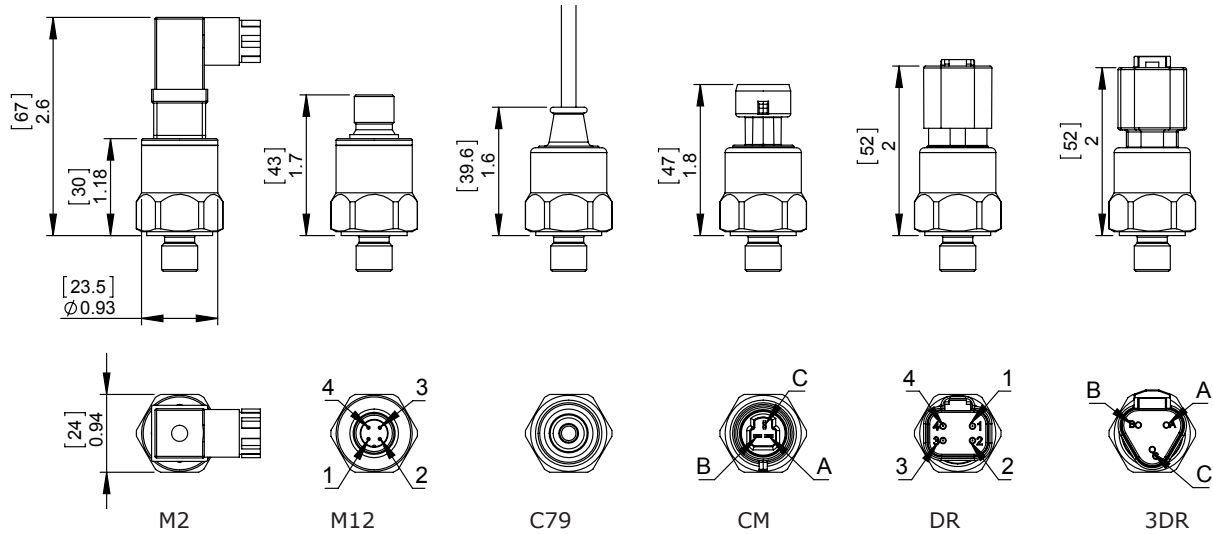
Specifications

Accuracy	0.5% BFSL
Pressure Range	0 to 7,500 PSI (517 BAR)
Proof Pressure	140% to 200% FS based on range (consult factory)
Burst Pressure	180% to 400% FS based on range (consult factory)
Long Term Drift	<0.3% FS @ 77°F (25°C)
Thermal Error	7.5 psi ≥ 100 psi: 0.01% FS/°F (0.018% FS/°C) 100 psi > 400 psi : 0.009% FS/°F (0.016% FS/°C) 400 psi ≥ 1000 psi: 0.011% FS/°F (0.019% FS/°C) 1000 psi > 3000 psi: 0.012% FS/°F (0.021% FS/°C) 3000 psi ≥ 7500 psi: 0.018% FS/°F (0.028% FS/°C)
Compensated Temperatures	T200 Series: 32°F to 185°F (0°C to 85°C) T201 Series: -40°F to 257°F (-40°C to 125°C)
Operating Temperatures	-40°F to 257°F (-40°C to 125°C)
Storage Temperature Rating	-40°F to 275°F (-40°C to 135°C)
Process Connection	SS304
Wetted Materials	Ceramic Al ₂ O ₃ NBR (Standard) or Optional: FKM,HNBR,EPDM
Vibration	10g (20-2000Hz) for ≤ 58 PSI (4 BAR) 20g (20 - 500Hz) for ranges > 58 PSI (4 BAR)
Shock	50g (11ms)
Supply Voltage	4 - 20mA : 8 - 30 VDC 0 - 10V : 12 - 30 VDC 0.5 - 4.5V : 4.5 - 5.5 VDC (ratiometric) 0.5 - 4.5V : 8 - 30 VDC 0 - 5V : 8 - 30 VDC 1 - 5V : 8 - 30 VDC 1 - 6V : 9 - 30 VDC 0.25 - 10.25 V : 12 - 30 VDC *Other supply voltage available upon request
Protection	Overvoltage, Short Circuit, Reverse Polarity Protection
Response Time	<1ms
Ingress Protection	IP67 (IP65 for M2 Electrical Connection)
Compliance	IEC/EN 61000-4-3(2006) 100V/m 80-1000MHz IEC/EN 61000-4-4(2004) Class 3 IEC/EN 61000-4-6(2006) 3Vrms 0.15-80MHz ROHS
Weight	0.15 lbs (0.07kg)

T200 / T201



Dimensions



Connector	Output				
	4 - 20 mA		Voltage		
	Supply +	Supply -	Supply +	Common	Output +
M2	1	2	1	2	3
M12	1	3	1	3	4
C79 / C158	Red	Black	Red	Black	White
DR	2	1	2	1	4
3DR	A	B	A	B	C
CM	B	A	B	A	C

Ordering Information

T200 - 1 (0100P) - 2 (G) - 3 (3) - 4 (M2) - 5 (4M) - 6 (N) - 7 (T1) - 8 (Optional) (SR)

Model:	Pressure Range:	Reference:	Output:	Electrical Connection:	Process Connection:	Seal Material:	Accuracy:	Options:
T200 Compensated Temperature Range 32°F to 185°F (0°C to 85°C)	0015P - 15 PSI 0030P - 30 PSI 0100P - 100 PSI 0150P - 150 PSI 0300P - 300 PSI 0400P - 400 PSI 0600P - 600 PSI 1000P - 1000 PSI 1500P - 1500 PSI 3000P - 3000 PSI 5000P - 5000 PSI 7500P - 7500 PSI **	A - Absolute G - Gauge S - Sealed	2 - 4 - 20 mA (2 wire) 3 - 0 - 10 V (3 wire) 4 - 0.5 - 4.5 V ratiometric 5 - 0-5 V (3 wire) 6 - 1 - 5 V (3 wire) 7 - 0.5 - 4.5 V (3 wire) 8 - 1 - 6V (3 wire) 9 - 0.25 - 10.25 V (3 wire)	M2 - DIN 43650C (Mini DIN) M12 - M12, 4 pin C79 - Shielded Cable 79 inches (2 meter) DR - Deutsch Receptacle DT04-4P DR3 - Deutsch Receptacle DT04-3P CM - Packard, Metripack, 150 Series (PS2)	2M - 1/8" NPT male 4M - 1/4" NPT male 4G - 1/4" BSPP male, G1/4 4S - 7/16-20 SAE male, with O-ring seal 6S - 9/16-18 SAE male, with O-ring seal	N - NBR (Standard) V - VITON® H - HNBR E - EPDM	T1 - 0.5% BFSL	SR - Snubber

** 7500 psi (500 BAR) is only available with 7/16 SAE thread and 9/16 SAE thread

*Other material and options available upon request.
Custom design available. Please consult factory.



DESCRIPTION

The TI2C piezoresistive ceramic pressure transducer provides a digital I²C interface. Calibrated and compensated -40°F to 257°F, this transducer is suitable for industrial and mobile applications. It has excellent resistant to corrosion, EMI certified and has excellent thermal compensation. It is an ideal product for smart systems and for any real-time monitoring applications.

FEATURES

- Digital output
- Sleep mode
- Compact design

APPLICATIONS

- IoT integration for remote control
- Real time monitoring
- Smart system designs

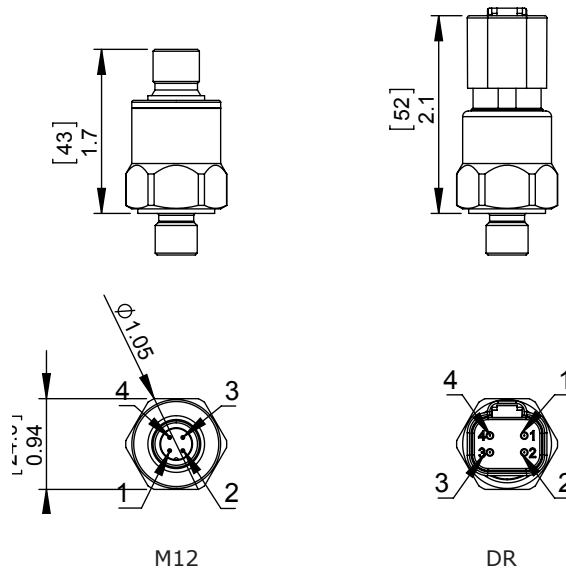
Specifications

Pressure Range	15 psi to 5000 psi (1 Bar to 400 Bar)
Proof Pressure	140% to 200% FS based on range (consult factory)
Burst Pressure	180% to 400% FS based on range (consult factory)
Long Term Drift	<0.3% FS @ 77°F (25°C)
Compensated Temperatures	-40°F to 257°F (-40°C to 125°C)
Operating Temperatures	-13°F to 257°F (-25°C to 125°C)
Storage Temperature Rating	-40°F to 275°F (-40°C to 135°C)
Process Connection	SS304
Wetted Materials	Ceramic Al ₂ O ₃ NBR (Standard) or Optional: FKM,HNBR,EPDM
Vibration	10g (20-2000Hz) for ≤ 58 PSI (4 BAR) 20g (20 - 500Hz) for ranges > 58 PSI (4 BAR)
Shock	50g (11ms)
Supply Voltage	3.3V update mode, 5V update mode, 3.3V sleep mode, 5V sleep mode
Current Consumption	3 mA maximum
Protection	Overvoltage, Short Circuit, Reverse Polarity Protection
Response Time	≤5ms
Ingress Protection	IP67
Compliance	IEC/EN 61000-4-3(2006) IEC/EN 61000-4-4(2004) IEC/EN 61000-4-5(2005) IEC/EN 61000-4-6(2006) ROHS
Weight	0.15 lbs (0.07kg)

TI2C



Dimensions



Connector	Output			
	VCC	SCL	SDA	GND
M12	1	2	4	3
DR	1	2	3	4

Ordering Information

TI2C - 1 - 2 - 3 - 4 - 5 - 6 - 7 - 8 (Optional)

TI2C - 0150P - G - 1 - M12 - 4M - N - T1 - SR

Model:	Pressure Range:	Reference:	Configuration:	Electrical Connection:	Process Connection:	Seal Material:	Accuracy:	Options:
TI2C	0015P - 15 PSI 0030P - 30 PSI 0100P - 100 PSI 0150P - 150 PSI 0300P - 300 PSI 0400P - 400 PSI 0600P - 600 PSI 1000P - 1000 PSI 1500P - 1500 PSI 3000P - 3000 PSI 5000P - 5000 PSI 001B - 1 BAR 002B - 2 BAR 005B - 5 BAR 010B - 10 BAR 020B - 20 BAR 050B - 50 BAR 100B - 100 BAR 200B - 200 BAR 400B - 400 BAR	A - Absolute (15 psi to 1000 psi) G - Gauge (15 psi to 1000 psi) S - Sealed (7.5 psi to 5000 psi)	1 - I ² C - 3.3V update mode 2 - I ² C - 5.0V update mode 3 - I ² C - 3.3V sleep mode 4 - I ² C - 5.0V sleep mode	M12 - M12, 4 pin DR - Deutsch Receptacle DT04-4P	2M - 1/8" NPT male 4M - 1/4" NPT male 4G - 1/4" BSPP male, G1/4 4S - 7/16-20 SAE male, with O-ring seal 6S - 9/16-19 SAE male, with O-ring seal	N - NBR (Standard) V - VITON® H - HNBR E - EPDM	T1 - 0.5% BFSL	SR - Snubber

*Other material and options available upon request. Custom design available. Please consult factory.



DESCRIPTION

A compact thin film pressure transducer excellent for conditions where high proof and burst pressure is required. It features a hermetically sealed construction with all stainless steel body. There is a wide variety of electrical output and electrical connection options.

FEATURES

- Temperature Compensation
- Stainless Steel Construction
- Hermetically sealed
- Stainless steel body

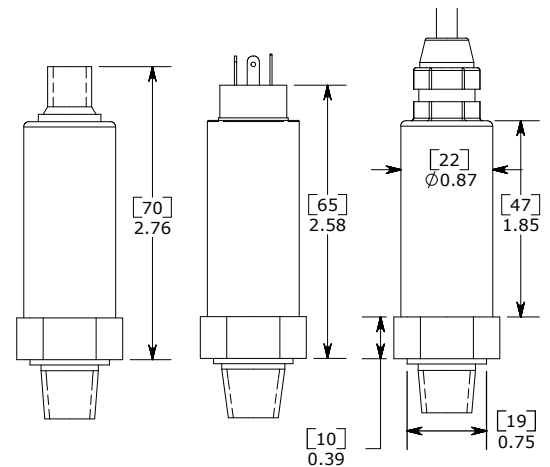
APPLICATIONS

- Road Maintenance Vehicles
- Cranes
- Automation process

Specifications

Accuracy	0.5% FS
Pressure Range	1500 to 10,000 PSI (700 BAR)
Proof Pressure	150% FS
Burst Pressure	300% FS
Fatigue Life	100,000,000 cycles
Long Term Drift	0.1% FS/year for < 725 PSI (50 BAR) 0.2% FS/year for ≥ 725 PSI (50 BAR)
Thermal Error	0.02%/FS/°C
Compensated Temperatures	32°F to 149°F (0°C to 65°C)
Operating Temperatures	-4°F to 176°F (-20°C to 80°C)
Storage Temperature Rating	-40°F to 257°F (-40°C to 125°C)
Process Connection	Standard: SS304 Optional: SS316
Vibration	10g (20-2000Hz) for ≤ 58 PSI (4 BAR) 20g (20 - 500Hz) for ranges > 58 PSI (4 BAR)
Shock	100g (11ms)
Voltage Output	0-5V, 0.5-4.5V, 0-10V
Supply Voltage	4 - 20mA : 12 - 32 VDC 0 - 10V : 16 - 36 VDC 0.5 - 4.5V : 4.5 - 5.5 VDC (ratiometric) 0.5 - 4.5V : 16 - 32 VDC 0 - 5V : 16 - 36 VDC
Max. Loop Resistance	500 Ω

Dimensions



Ordering Information



1 - Measuring Range:

Code	Description
100B	100 BAR
200B	200 BAR
350B	350 BAR
400B	400 BAR
600B	600 BAR
700B	700 BAR

OR

Code	Description
150P	1500 PSI
200P	2000 PSI
300P	3000 PSI
500P	5000 PSI
600P	6000 PSI
750P	7500 PSI
10KP	10000 PSI

2 - Gauge Standard:

- A - Absolute
- G - Gauge

3 - Output:

- 2 - 4 - 20 mA, 2 wire
- 3 - 0 - 10 V, 3 wire
- 4 - 0.5 - 4.5 V (ratiometric)
- 5 - 0 - 5.0 V
- 7 - 0.5 - 4.5 V (3 wire)

4 - Electrical Connection:

- M2 - DIN 43650C (Mini DIN)
- M2C79 - DIN 43650C (Mini DIN) with 79 inches (2 meters cable)
- M12 - M12, 4 pin
- C79 - Shielded Cable, 79 inches (2 meters)
- C158 - Shielded Cable, 158 inches (4 meters)

5 - Process Connection:

- 4M - 1/4" NPT male
- 4G - 1/4" BSPP male, G1/4
- 4S - 7/16-20 SAE male, with O-ring seal

6 - Accuracy:

- A2 - 0.5% FS

7 - Options (Omit if not required):

- 3 - 316 Stainless Steel Port



Note: Other ranges available. Please consult factory.



DESCRIPTION

The TT is a robust temperature transmitter designed for measuring temperature in hydraulic applications. The two sensing element options, solid state (standard) and PT1000 offers versatility for performance and price. The sensor provides an analog 4 to 20 mA output. The TT series is ideal for harsh environmental conditions.

FEATURES

- Robust design
- IP 65 rated
- Solid state sensing or PT1000

APPLICATIONS

- Industrial applications
- Hydraulic Power units
- Gear Box
- Lubrication systems

Specifications

	Solid State	PT1000
Measuring Principle	Solid State	PT1000
Accuracy (Full Range)	≤ 1% FS	≤ 0.8% FS
Accuracy (Room Temperature)	≤ 0.5% FS	≤ 0.4% FS
Supply Voltage	8 to 30 VDC	8 to 30 VDC
Measurement Unit	°F, °C	°F, °C
Ambient Temperature Range	-40°F to 257°F (-40°C to 125°C)	-40°F to 257°F (-40°C to 125°C)
Max Pressure	1800 psi (124 BAR)	1800 psi (124 BAR)
Output Signal	4 - 20mA	4 - 20 mA
Power On Time	< 1 sec	< 1 sec
Temperature Drift	0.001% FS/°C / 1000 hrs	0.001% FS/°C / 1000 hrs
Electrical Connector	43650A (IP65)	43650A (IP65)
Protection	Overvoltage, Short Circuit, Reverse Polarity	
Housing Material	Nickel plated brass	Nickel plated brass
Weight	0.37 lbs (0.17 kg)	0.37 lbs (0.17 kg)

Wiring Code

	4 - 20 mA	
	Supply +	Supply -
HC - DIN 43650A	Pin 1	Pin 2

TEMPERATURE

Ordering Information

Example

TT - ¹S - ²N25/100C - ³2 - ⁴8M32 - ⁵HC

1 - Sensing Element:

- S - Solid State (Standard)
- P - PT1000 (optional)

2 - Temperature Range:

- N25/100C - -25°C to 100°C (-13°F to 212°F)
- 0/100C - 0°C to 100°C (32°F to 212°F)
- 0/300F - 0°F to 300°F (-17°C to 149°C)

3 - Output:

- 2 - 4 - 20mA

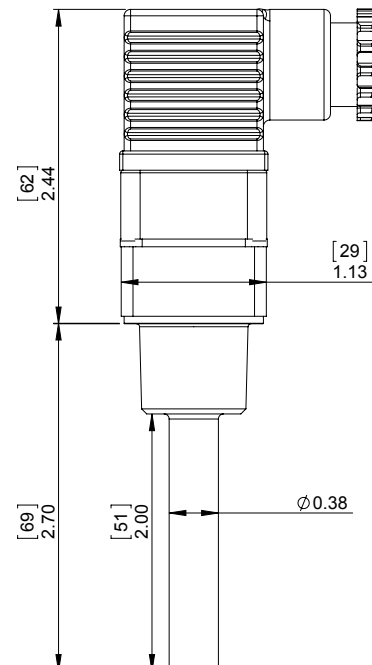
4 - Threads:

- 8M32 - 1/2 NPT thread
- 8G32 - 1/2 BSPP thread with viton seal

5 - Electrical Connector

- HC - DIN 43650A

Dimensions



TEMPERATURE SWITCH GUIDE



	Models					
	S2TAF	S3TAF	S5TAF	S6TAF	S7TAF	S8TAF
Temperature Range	77°F - 293°F (25° - 145°C)	77°F - 293°F (25° - 145°C)	130°F / 54°C 140°F / 60°C 150°F / 65°C 160°F / 71°C 170°F / 76°C 180°F / 82°C 190°F / 87°C 200°F / 93°C 220°F / 104°C	130°F / 54°C 140°F / 60°C 150°F / 65°C 160°F / 71°C 170°F / 76°C 180°F / 82°C 190°F / 87°C 200°F / 93°C 220°F / 104°C	120°F / 49°C 140°F / 60°C 160°F / 71°C 170°F / 76°C 180°F / 82°C	120°F / 49°C 140°F / 60°C 160°F / 71°C 170°F / 76°C 180°F / 82°C
Electrical Rating	15 amp Silver / Gold	15 amp Silver	3 amp Silver	3 amp Silver	3 amp Gold	3 amp Gold
Electrical Connection	DIN 43650A	Spade Flying Leads Deutsch Metripack Weatherpack	Flying Leads Weather Pack Deutsch	Spade Deutsch DT04-2P Flying Lead Packard Metripack	Flying Leads Weather Pack Deutsch	Spade Deutsch DT04-2P Flying Lead Packard Metripack
Differential	25°F	25°F	30% of Setpoint	30% of Setpoint	<4% of Setpoint	<4% of Setpoint
Probe	Not Available	Yes	Yes	Yes	Yes	Yes
IP Rating	IP65, IP67	IP65, IP67	IP65	IP65, IP67	IP65	IP65, IP67
Response Time						

Legend:

Slowest Response =

Fastest Response =





DESCRIPTION

The S2TAF is a bimetal temperature switch featuring an internal sensing cavity that allows for sensing of the fluid temperature without the need of a probe. It is most suitable for where areas is a tight constraint. The S3TAF temperature switch is ideal for high amperage rating with high ingress protection.

FEATURES

- Factory preset
- High current rating
- Reliable differential
- Compact size

APPLICATIONS

- Hydraulic reservoir safety switch
- Coolant temperature switch

Specifications

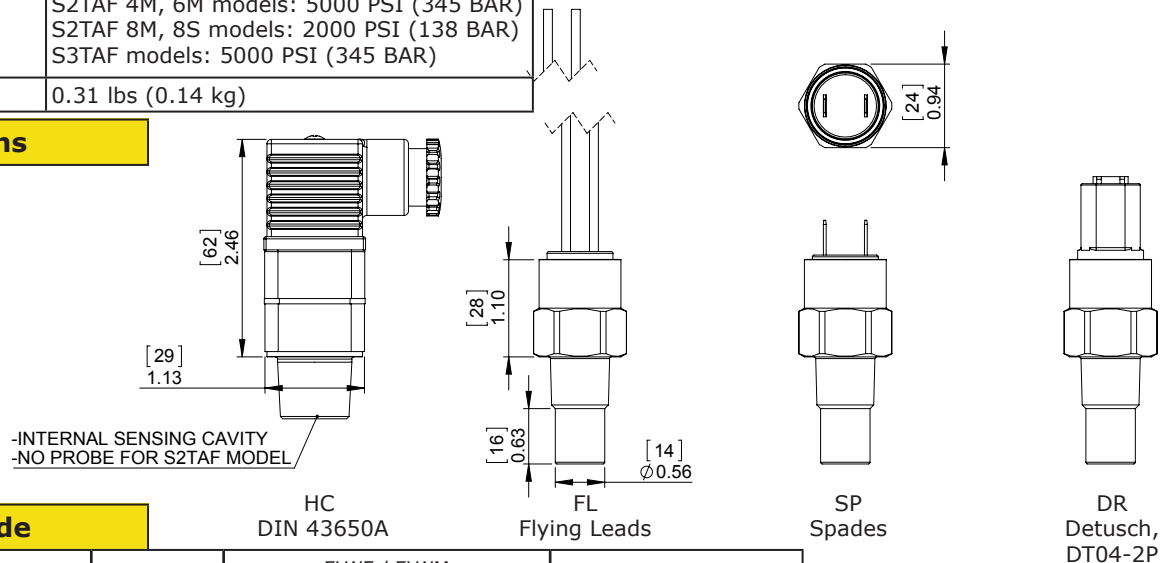
Electrical	120 VAC - 15A Resistive 240 VAC - 10A Resistive 12VDC - 12A Resistive 24 VDC - 6A Resistive
Switch Type	Bimetal
Protection	DIN 43650A: IP65, Terminals: IP00 Flying Lead: IP67 Detusch DT04-2P: IP67
Repeatability	+/- 7°F
Temperature Range	77°F to 293°F (25 °C to 145°C)
Temperature Differential	25°F (12°C)
Temperature Exposure Limit	300°F (149°C)
Housing Material	Brass (Optional: Stainless Steel)
Maximum Overpressure	S2TAF 4M, 6M models: 5000 PSI (345 BAR) S2TAF 8M, 8S models: 2000 PSI (138 BAR) S3TAF models: 5000 PSI (345 BAR)
Weight	0.31 lbs (0.14 kg)

Temperature Set Point Range (Factory Set)

°F	°C
77 - 293	25 - 135

TEMPERATURE

Dimensions



Wiring Code

CONTACT	FLYING LEADS	DIN 43650 TYPE	FLWF / FLWM FLCM / FLCF / FLPM / FLPF	FLDR / FLDP
COMMON	BLACK	PIN 1	PIN A	PIN 1
NORMALLY CLOSED	BLACK	PIN 2	PIN B	PIN 2
NORMALLY OPEN	BLACK	PIN 2	PIN B	PIN 2

Ordering Information

Factory Preset

S2TAF or S3TAF - ¹140F - ²4M - ³B - ⁴HC

1 - Temperature Selection:

Insert set point value XXX followed by: R, F.

Set Point	Direction	Description
XXXX	R	°F Rising Temperature
	F	°F Falling Temperature

2 - Thread Options:

Thread Description	S2TAF Model	S3TAF Model
	No Probe	5/8" Probe
1/4 NPT	4M	4M10
3/8 NPT	6M	6M10
1/2 NPT	8M	8M10
3/4-16 SAE with Viton O-ring seal	8S	N/A

* Other Thread and Probe options are available upon request. Consult factory for availability

3 - Circuit:

- A** - SPST (Normally Open)
- B** - SPST (Normally Closed)

4 - Electrical Termination:

S2TAF	S3TAF	
HC	-	- DIN 43650A - connector type (Only available for S2TAF series)
HN	-	- DIN 43650A 1/2" NPT Conduit (Only available for S2TAF series)
	FL	- Flying Lead 18" long, 18 AWG
	FLWF	- Flying Lead Weatherpack connector, female, Tower, 10" long leads
	FLWM	- Flying Lead Weatherpack connector, male, Shroud, 10" long leads
	FLDP	- Flying Lead Deutsch connector, plug, 10" long leads
	FLDR	- Flying Lead Deutsch connector, receptacle, 10" long leads
	FLCM	- Flying Lead Metripack, male, 150 series, 10" long leads
	FLCF	- Flying Lead Metripack, female, 150 series, 10" long leads
	FLPM	- Flying Lead Metripack, male, 280 series, 10" long leads
	FLPF	- Flying Lead Metripack, female, 280 series, 10" long leads
	SP	- 1/4" Spade
	DR	- Integrated Detusch Receptacle - Mates with DT06-2S



*Other material and options available upon request. Please consult factory for details.



DESCRIPTION

The S5TAF and S7TAF model series are bimetallic temperature switches. The S5TAF series features a large temperature differential and the S7TAF series features a small temperature differential. The sensing element is designed to provide rapid temperature response.

FEATURES

- Temperature switch and sensor
- Compact size
- Low differential

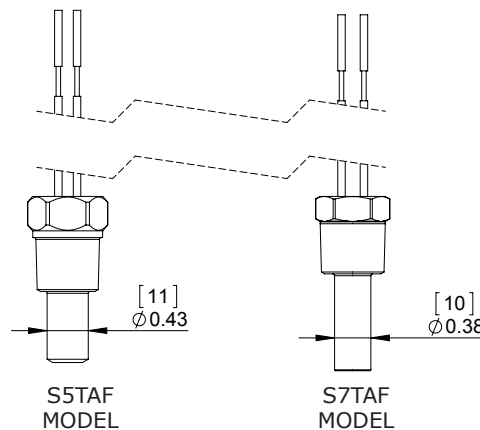
APPLICATIONS

- Coolant temperature switch/sensor
- Lubrication systems
- Oil reservoir temperature switch/sensor

Specifications

Model	S5TAF	S7TAF
Set Point Range (Factory Set)	130°F to 300°F (54°C to 150°C)	40°F to 300°F (4°C to 150°C)
Electrical	120/240 VAC - 3A Resistive 120/240 VAC - 2.5A Inductive 12/24 VDC - 3A Resistive 12/24 VDC - 2A Inductive	120/240 VAC - 3A Resistive 120/240 VAC - 2.5A Inductive 12/24 VDC - 3A Resistive 12/24 VDC - 2A Inductive
Contacts	Silver	Gold
Switch Type	Bimetal Snap Action	Bimetal Creep Action
Protection	IP65	IP65
Repeatability	+/- 7°F	+/- 7°F
Temperature Differential	Approximately 30% of Setpoint	Approximately <4% of Setpoint
Temperature Exposure Limit	325°F (162°C)	325°F (162°C)
Housing Material	Brass	Brass
Probe Length	3/4"	1/2", 1", 2"
Maximum Overpressure	5000 PSI (345 BAR)	5000 PSI (345 BAR)
Weight	0.15 lbs (0.06 kg)	0.15 lbs (0.06 kg)

Dimensions



Hex Size varies depending on thread and model. Please consult factory for details.

Probe length is listed on ordering information.

Wiring Code

CONTACT	FLYING LEADS	FLWF / FLWM FLCM / FLCF / FLPM / FLPF	FLDR / FLDP
COMMON	BLACK	PIN A	PIN 1
NORMALLY CLOSED	BLACK	PIN B	PIN 2
NORMALLY OPEN	BLACK	PIN B	PIN 2

Ordering Information

Factory Preset

1
2
3
4
5

S5TAF or S7TAF - **140R** - **4M08** - **A** - **FL**

1 Model Selection:

- S5TAF** - Approximately 30% of setpoint (see Temperature Selection Table)
- S7TAF** - Approximately <4% of setpoint (see Temperature Selection Table)

2 - Temperature Selection - Standard available setpoints (Fahrenheit Rising):

S5TAF Model	S7TAF Model
130R	120R
140R	140R
150R	160R
160R	170R
170R	180R
180R	
190R	
200R	
220R	

*Other Setpoints are available upon request. Consult factory for availability

3 - Thread Options:

Thread Description	S5TAF Model	S7TAF Model		
	3/4" Probe	1/2" Probe	1" Probe	2" Probe
1/4 NPT	4M12	4M08	4M16	4M32
3/8 NPT	6M12	N/A	6M16	N/A
1/2 NPT	8M12	8M08	8M16	8M32
3/4-16 SAE with Viton O-ring seal	8S12	N/A	8S16	N/A

*Other thread and probe options are available upon request. Consult factory for availability

4 - Circuit:

- A** - SPST (Normally Open)
- B** - SPST (Normally Closed)

5 - Electrical Termination:

- EL** - 1/2" male conduit with 18" long leads. Only available with 8M08 thread
- FL** - Flying Lead 18" long, (20 AWG for S5TAF) (18 AWG for S7TAF)
- FLWF** - Flying Lead Weatherpack connector, female, 10" long leads
- FLWM** - Flying Lead Weatherpack connector, male, 10" long leads
- FLDP** - Flying Lead Deutsch connector, plug, 10" long leads
- FLDR** - Flying Lead Deutsch connector, receptacle, 10" long leads
- FLCM** - Flying Lead, Metripack, male, 150 series, 10" long leads
- FLCF** - Flying Lead, Metripack, female, 150 series, 10" long leads
- FLPM** - Flying Lead Metripack 280 connector, male, 10" long leads
- FLPF** - Flying Lead Metripack 280 connector, female, 10" long leads



DESCRIPTION

The S6TAF and S8TAF model series are bimetallic temperature switches. The S6TAF series features a large temperature differential and the S8TAF series features a small temperature differential. The sensing element is designed to provide rapid temperature response.

FEATURES

- High ingress protection
- Compact size
- Option of low and high differential
- No exposed potting compound

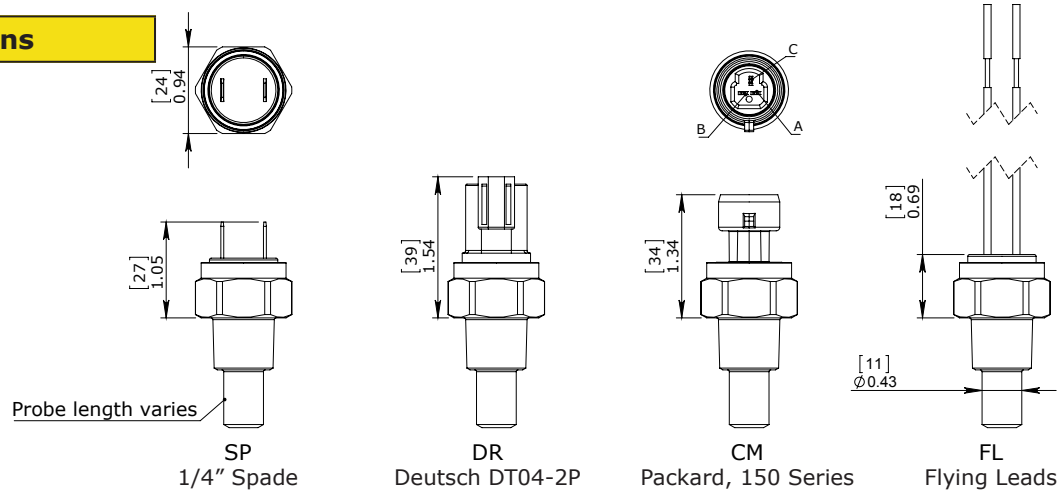
APPLICATIONS

- Coolant temperature switch/sensor
- Fan
- Oil reservoir temperature switch/sensor

Specifications

Model	S6TAF	S8TAF
Set Point Range (Factory Set)	130°F to 300°F (54°C to 150°C)	40°F to 300°F (4°C to 150°C)
Electrical	120/240 VAC - 3A Resistive 120/240 VAC - 2.5A Inductive 12/24 VDC - 3A Resistive 12/24 VDC - 2A Inductive	120/240 VAC - 3A Resistive 120/240 VAC - 2.5A Inductive 12/24 VDC - 3A Resistive 12/24 VDC - 2A Inductive
Contacts	Silver	Gold
Switch Type	Bimetal Snap Action	Bimetal Creep Action
Protection	IP67: Deutsch, Packard, Flying Lead IP65: Spade (Except exposed terminals)	IP67: Deutsch, Packard, Flying Lead IP65: Spade (Except exposed terminals)
Temperature Differential	Approximately 30% of Setpoint	Approximately <4% of Setpoint
Temperature Exposure Limit	325°F (162°C)	325°F (162°C)
Housing Material	Brass	Brass
Probe Length	5/8", 1"	5/8", 1"
Maximum Overpressure	5000 PSI (345 BAR)	5000 PSI (345 BAR)
Weight	0.11 lbs (0.05 kg)	0.11 lbs (0.05 kg)

Dimensions



Wiring Code

CONTACT	FLYING LEADS	FLWF / FLWM FLCM / FLCF / FLPM / FLPF	FLDR / FLDP	CM
COMMON	BLACK	PIN A	PIN 1	PIN A
NORMALLY CLOSED	BLACK	PIN B	PIN 2	PIN B
NORMALLY OPEN	BLACK	PIN B	PIN 2	PIN B

Ordering Information

Factory Preset

1
2
3
4
5

S6TAF or S8TAF - **140R** - **4M10** - **A** - **SP**

1 Model Selection:

- S6TAF** - Approximately 30% of setpoint (see Temperature Specifications Table)
- S8TAF** - Approximately <4% of setpoint (see Temperature Specifications Table)

2 - Temperature Selection - Standard available setpoints (Fahrenheit Rising):

S6TAF Model	S8TAF Model
130R	120R
140R	140R
150R	160R
160R	170R
170R	180R
180R	
190R	
200R	
220R	

*Other Setpoints are available upon request. Consult factory for availability

3 - Thread Options:

Thread Description	S6TAF Model		S8TAF Model	
	5/8" Probe	1" Probe	5/8" Probe	1" Probe
1/4 NPT	4M10	4M16	4M10	4M16
3/8 NPT	6M10	6M16	6M10	6M16
1/2 NPT	8M10	8M16	8M10	8M16
3/4-16 SAE with Viton O-ring seal	8S10	8S16	8S10	8S16

*Other Thread and Probe options are available upon request. Consult factory for availability

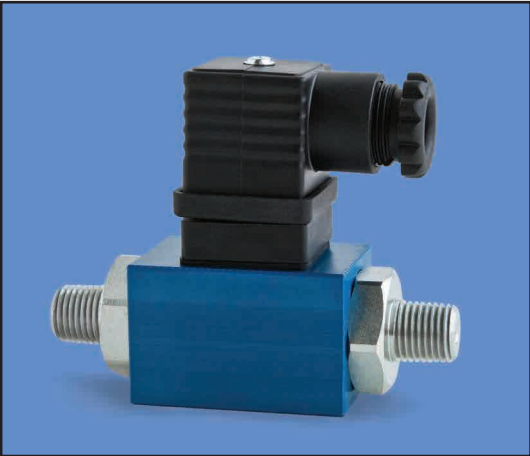
4 - Circuit:

- A** - SPST (Normally Open)
- B** - SPST (Normally Closed)

5 - Electrical Termination:

- SP** - 1/4" Spade
- DR** - Integrated Deutsch Receptacle (DT04-2P) - Mates with DT06-2S
- CM** - Packard, Metripack 150 Series (3 pin)
- FL** - Flying Lead 18" long, (20 AWG for S6TAF) (18 AWG for S8TAF)
- FLWF** - Flying Lead Weatherpack connector, female, 10" long leads
- FLWM** - Flying Lead Weatherpack connector, male, 10" long leads
- FLDP** - Flying Lead Deutsch connector, plug, 10" long leads
- FLDR** - Flying Lead Deutsch connector, receptacle, 10" long leads
- FLPM** - Flying Lead Metripack 280 connector, male, 10" long leads
- FLPF** - Flying Lead Metripack 280 connector, female, 10" long leads

*Other material and options available upon request. Please consult factory for details



DESCRIPTION

An economical differential switch utilizing a simple and reliable design. It is used for many monitoring applications such as a filter change indicator. Constructed of an anodized aluminium body with steel ports for durability.

FEATURES

- Snap action micro switch
- Factory set or field adjustable
- Diaphragm design

APPLICATIONS

- Filter element monitoring
- Fluid control
- Water treatment applications

Specifications

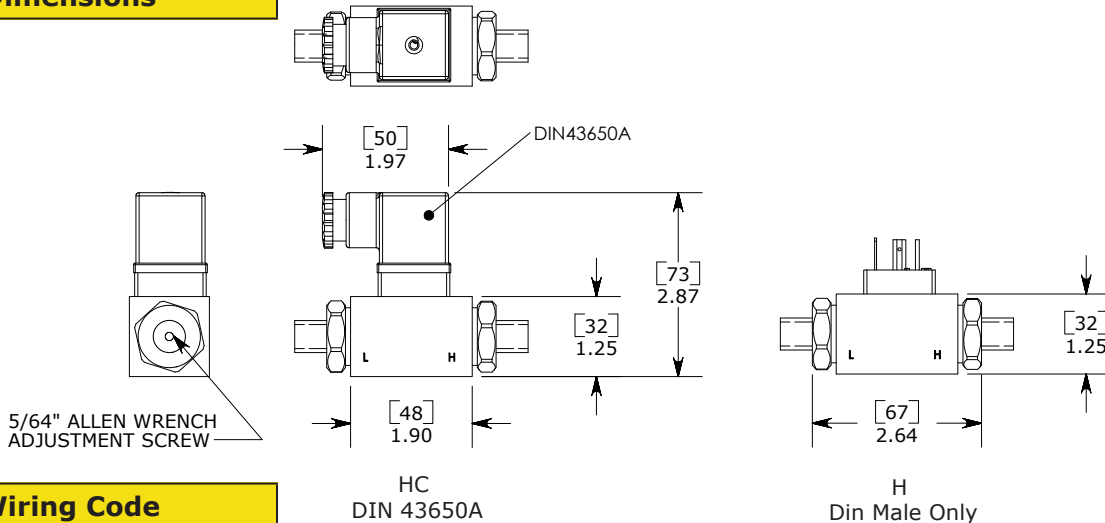
Electrical	5A [12/24 VDC, 125 VAC] or 3A [250 VAC]
Switch Type	Snap Action
Protection	DIN 43650A - IP65, Terminals - IP00
Temperature Range	-20°F to 180°F (-29°C to 82°C) Nitrile
Mechanical Range	1,000,000 Cycles @ 75 PSI (5.2 BAR)
Diaphragm Material	Standard: Nitrile Optional: Viton, EPDM, HNBR
Housing Material	Anodized Aluminum Housing
Maximum Overpressure	500 PSI (34 BAR)
Repeatability	+/- 2% of full set point range at 20°C (68°F)
Differential	10 - 30% of setting
Weight	0.75 lbs (0.35 kg)

Pressure Range

Model	Adjustment Range	
	PSI	BAR
1	10 - 30	0.7 - 2.0
2	25 - 60	1.7 - 4.0

DIFFERENTIAL

Dimensions



Wiring Code

CONTACT	DIN 43650 TYPE
COMMON	PIN 1
NORMALLY CLOSED	PIN 2
NORMALLY OPEN	PIN 3

Ordering Information

Field Adjustable **DSPA** - ¹**2** - ²**4M-4M** - ³**C** - ⁴**HC** - ^{5 (Optional)}**1**

Factory Preset **DSPF** - ¹**30F** - ²**4M-4M** - ³**C** - ⁴**HC** - ^{5 (Optional)}**1**

1 - Pressure Selection:

Field Adjustable - Select Model Code

Insert set point value XXX followed by: R, F, BR, or BF

Model	Adjustment Range	
	PSI	BAR
1	10 - 30	0.7 - 2.0
2	25 - 60	1.7 - 4.0

OR

Set Point	Direction	Description
XXXX	R	PSI Rising Pressure
	F	PSI Falling Pressure
	BR	BAR Rising Pressure
	BF	BAR Falling Pressure

2 - Thread Options for both process connections:

4M-4M - 1/4 NPT male

4G-4G - 1/4 BSPP male, G1/4

3 - Circuit:

C - SPDT (Single Pole Double Throw : Normally Open and Normally Closed)

4 - Electrical Termination:

H - DIN 43650A - connector type - male half only (only available in SPDT option)

HC - DIN 43650A PG9/PG11 - connector type (only available in SPDT option)

HN - DIN 43650A 1/2" NPT Conduit (only available in SPDT option)

5 - Options (Omit if not required):

1 - Viton® Diaphragm

2 - EPDM Diaphragm

4 - HNBR Diaphragm

7 - Gold Contact, Snap Action Microswitch @ 20 mA / 12 VDC

8 - 10 amp, Snap Action Microswitch
@ 10(2) 125 VAC (inductive), 6(2) 250 VAC (inductive)



Note: Please see page 52 for other available options



DESCRIPTION

A compact vacuum switch utilizing a high quality snap action micro switch for applications in which price and size are of concern. It is used for pneumatic, water and low pressure applications. Its modular design allows for a variety of electrical and mechanical terminations.

FEATURES

- Snap action micro switch
- Factory set or field adjustable
- Diaphragm design
- WRAS approved EPDM diaphragms available

APPLICATIONS

- Vacuum generators
- Industrial automation
- Pick and place units
- Engine load monitoring

* UL available for certain models

Specifications

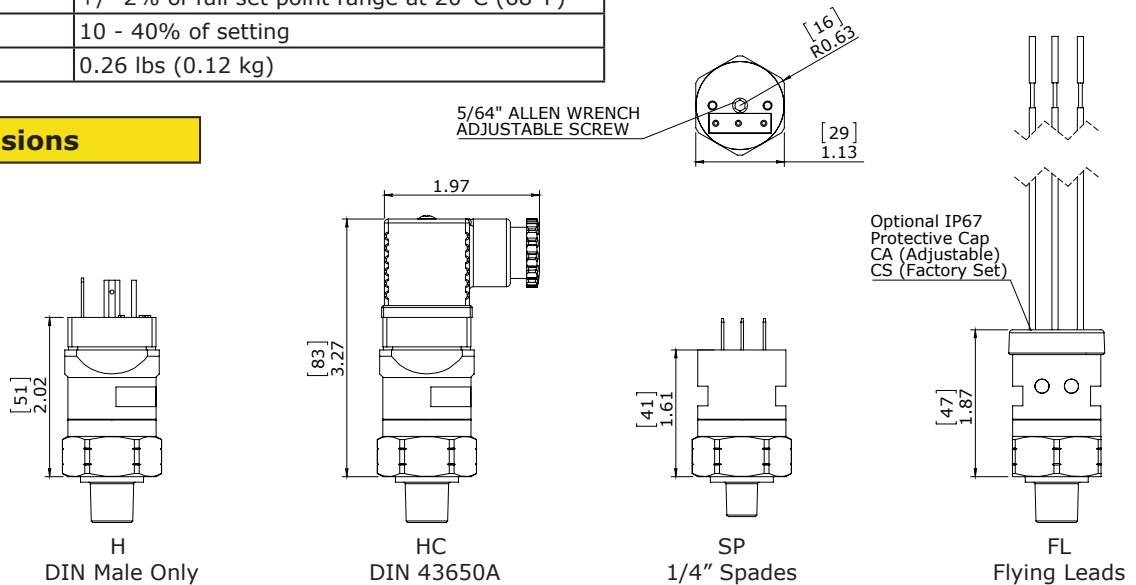
Electrical	5A [12/24 VDC, 125 VAC] or 3A [250 VAC] Optional: 10A or Gold Contact
Switch Type	Snap Action
Protection	DIN 43650A - IP65, Terminals - IP00
Temperature Range	-20°F to 180°F (-29°C to 82°C) Nitrile
Mechanical Range	1,000,000 Cycles @ 20 inHg
Diaphragm Material	Standard: Nitrile Optional: Viton, EPDM
Housing Material	Brass (Optional Stainless Steel)
Maximum Overpressure	350 PSI (25 BAR)
Repeatability	+/- 2% of full set point range at 20°C (68°F)
Differential	10 - 40% of setting
Weight	0.26 lbs (0.12 kg)

Pressure Range

MODEL	Adjustment Range	
	inHg	Millibar
1	5-30"	170 - 1016

VACUUM

Dimensions



Wiring Code

CONTACT	FLYING LEADS	DIN 43650 TYPE	FLWF / FLWM FLCM / FLCF / FLPM / FLPF		FLDR / FLDP	
			SPDT MODEL	SPST MODEL	SPDT MODEL	SPST MODEL
COMMON	BLACK	PIN 1	PIN A	PIN A	PIN A	PIN 1
NORMALLY CLOSED	BLUE	PIN 2	PIN C	PIN B	PIN C	PIN 2
NORMALLY OPEN	RED	PIN 3	PIN B	PIN B	PIN B	PIN 2

Ordering Information

Field Adjustable

SVA - 1 - 2M - C - HC - 1

1 2 3 4 5 (Optional)

Factory Preset

SVF - 25F - 2M - C - HC - 1

1 2 3 4 5 (Optional)

1 - Pressure Selection:

Field Adjustable - Select Model Code

Model	Adjustment Range	
	inHg	Millibar
1	5 - 30"	170 - 1016

OR

Insert set point value XXX followed by: R, F, MR, or MF

Set Point	Direction	Description
XXXX	R	inHg Rising Vacuum
	F	inHg Falling Vacuum
	MR	Millibar Rising Vacuum
	MF	Millibar Falling Vacuum

2 - Thread Options:

- 2M** - 1/8 NPT male
- 4M** - 1/4 NPT male
- 2G** - 1/8 BSPP male, G1/8
- 4G** - 1/4 BSPP male, G1/4
- 4S** - 7/16-20 SAE male, with O-ring seal
- 6S** - 9/16-18 SAE male, with O-ring seal

3 - Circuit:

- A** - SPST (Normally Open)
- B** - SPST (Normally Closed)
- C** - SPDT (Single Pole Double Throw: Normally Open and Normally Closed)

4 - Electrical Termination:

- H** - DIN 43650A - connector type - male half only (only available in SPDT option)
- HC** - DIN 43650A - connector type (only available in SPDT option)
- HN** - DIN 43650A 1/2" NPT Conduit (only available in SPDT option)
- FL** - Flying Lead 18" long, 18 AWG
- FLWF** - Flying Lead Weatherpack connector, female, Tower, 10" long leads
- FLWM** - Flying Lead Weatherpack connector, male, Shroud, 10" long leads
- FLDP** - Flying Lead Deutsch connector, plug, 10" long leads
- FLDR** - Flying Lead Deutsch connector, receptacle, 10" long leads
- FLCM** - Flying Lead Metripack, male, 150 series, 10" long leads
- FLCF** - Flying Lead Metripack, female, 150 series, 10" long leads
- FLPM** - Flying Lead Metripack, male, 280 series, 10" long leads
- FLPF** - Flying Lead Metripack, female, 280 series, 10" long leads
- SP** - 1/4" Spade

5 - Options (Omit if not required):

- 1** - Viton® Diaphragm
- 2** - EPDM Diaphragm
- 3** - 316 Stainless Steel Housing
- 4** - HNBR Diaphragm
- 6** - Lead Free Brass
- 7** - Gold Contact, Snap Action Microswitch @ 20 mA / 12 VDC
- 8** - 10 amp, Snap Action Microswitch @ 10(2) 125 VAC (inductive), 6(2) 250 VAC (inductive)
- 20** - Seal adjustment Screw
- OC** - Oxygen Cleaned Switches
- CA** - IP67 rated protective cover with a removable plug (For Adjustable Switches, SVA Flying lead model)
- CS** - IP67 rated protective cover (For Factory Set Switches, SVF Flying lead model)



Note: Please see page 52 for other available options



DESCRIPTION

This compact, simple vacuum switch is suitable for many applications. It is designed for easy installation and quick access to the set point. It is available in factory set or adjustable ranges.

FEATURES

- Gold plated silver alloy contacts
- High current ratings
- Works well with extreme temperature
- Economical

APPLICATIONS

- Vacuum generators
- Industrial automation
- Engine load monitoring

Specifications

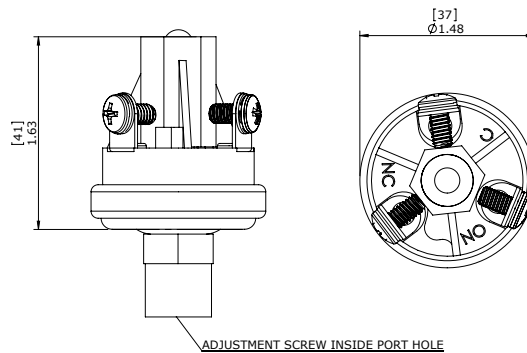
Electrical	Resistive	Inductive
	15 AMP - 6 VDC	1 AMP - 120 VAC
	8 AMP - 12 VDC	0.5 AMP - 240 VAC
	4 AMP - 24 VDC	
Switch Type	Blade Contact	
Protection	Terminals - IP00	
Temperature Range	-40°F to 248°F (-40°C to 120°C)	
Diaphragm Material	Standard: Fluorosilicone elastomer	
Housing Material	Brass, Glass Reinforced Polyester (Optional 304 Stainless Steel)	
Maximum Operating Pressure	30 inHg Vacuum	
Burst Pressure	150 PSI (10.3 BAR)	
Weight	0.14 lbs (0.06 kg)	

Pressure Range

Model	Adjustment Range	
	inHg	Millibar
1	1.1 - 3	37 - 101
2	4 - 8	135 - 270
3	9 - 17	305 - 575
4	18 - 22	610 - 745

VACUUM

Dimensions



Wiring Code

CONTACT	FLYING LEADS	DIN 43650 TYPE	FLWF / FLWM FLCM / FLCF / FLPM / FLPF		FLDR / FLDP	
			SPDT MODEL	SPST MODEL	SPDT MODEL	SPST MODEL
COMMON	BLACK	PIN 1	PIN A	PIN A	PIN A	PIN 1
NORMALLY CLOSED	BLUE	PIN 2	PIN C	PIN B	PIN C	PIN 2
NORMALLY OPEN	RED	PIN 3	PIN B	PIN B	PIN B	PIN 2

Ordering Information

Field Adjustable **SPVL** - ¹**2** - ²**2M** - ³**A** - ⁴**SP** - ^{5 (Optional)}**2**

Factory Preset **SPVF** - ¹**17F** - ²**2M** - ³**A** - ⁴**SP** - ^{5 (Optional)}**2**

1 - Pressure Selection:

Field Adjustable - Select Model Code

Insert set point value XXXX followed by: R, F, MR, or MF

Model	Adjustment Range	
	inHg	Millibar
1	1.1 - 3	37 - 101
2	4 - 8	135 - 270
3	9 - 17	305 - 575
4	18 - 22	610 - 745

OR

Set Point	Direction	Description
XXXX	R	inHg Rising Vacuum
	F	inHg Falling Vacuum
	MR	Millibar Rising Vacuum
	MF	Millibar Falling Vacuum

2 - Thread Options:

- 2M** - 1/8 NPT male
- 4M** - 1/4 NPT male
- 2G** - 1/8 BSPP male, G1/8
- 4G** - 1/4 BSPP male, G1/4

3 - Circuit:

- A** - SPST (Normally Open)
- B** - SPST (Normally Closed)

4 - Electrical Termination:

- FL** - Flying Lead 18" long, 18 AWG
- FLWF** - Flying Lead Weatherpack connector, female, Tower, 10" long leads
- FLWM** - Flying Lead Weatherpack connector, male, Shroud, 10" long leads
- FLDP** - Flying Lead Deutsch connector, plug, 10" long leads
- FLDR** - Flying Lead Deutsch connector, receptacle, 10" long leads
- FLCM** - Flying Lead Metripack, male, 150 series, 10" long leads
- FLCF** - Flying Lead Metripack, female, 150 series, 10" long leads
- FLPM** - Flying Lead Metripack, male, 280 series, 10" long leads
- FLPF** - Flying Lead Metripack, female, 280 series, 10" long leads
- SP** - 1/4" Spade
- TS** - Terminal Screws, #8-32

5 - Options (Omit if not required):

- 2** - EPDM Diaphragm
- 9** - 304 Stainless Steel Housing
- 20** - Seal adjustment Screw
- 30** - Rubber Boot - Removable



Note: Please see page 52 for other available options



**NEW!
Product**

DESCRIPTION

The ultrasonic level sensor provides a continuous level measurement from 5" (12 cm) up to 78" (200 cm). It has both a 4 -20 mA analog output and 4 digital outputs. With no moving parts, the ULS level is highly reliable for dirty and sticky environments. This all-metal enclosure allows for a easily adjustable sensor that is also rugged.

FEATURES

- No moving parts
- Rugged all-metal enclosure
- Continuous non contact measurement
- Slosh/filtering option

APPLICATIONS

- Water tanks
- Hydraulic units

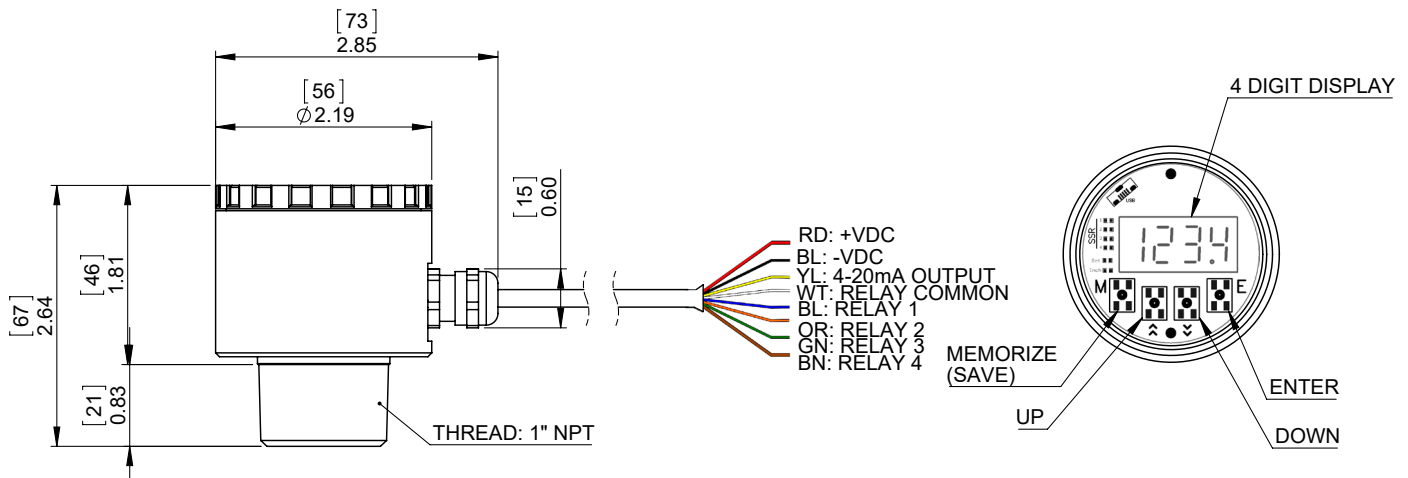
Specifications

Range	78" (200 cm) from sensor surface at 32°F (22°C)
Accuracy	0.5% max distance (perpendicular to surface)*
Dead Zone	5" (12 cm) from sensor face
Beam Angle	12° ± 2°
Ultrasonic Frequency	112 kHz
User Interface	Field Adjustable (push buttons and display) or Windows (mirco USB)
Memory	Non-volatile
Supply Voltage	10 - 36 VDC (100mA maximum)
Analog Output	4-20mA **
Contact Type	(4) Normally Open SPST relays (0.4A) and 4-20 mA
Contact Hysteresis	Adjustable, 0 to 100%
Ambient Temperature	14°F to 140°F (-10°C to 60°C)
Enclosure Materials / Rating	IP65 Powder Coated Aluminum
Exposed Materials	Epoxy, Stainless steel, Aluminum
Cable Type	8-conductor shielded cable
Process Connection	1" NPT Stainless Steel
Optional Accessory	2" NPT PVC fitting. Recommended for optimal sensor performance

* in stable homogeneous standard environment (affected by temperature gradients, vapors, supply voltage)

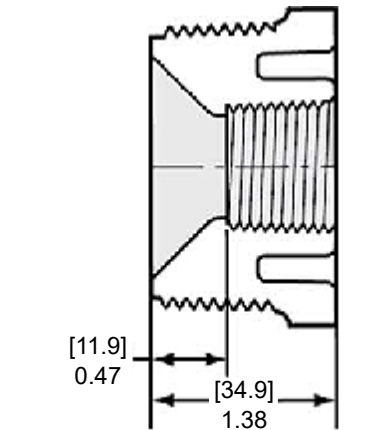
** conversion error rate 0.2%

Dimensions



Wiring Code	
CONTACT	FLYING LEADS
RED	+VDC
BLACK	-VDC
YELLOW	4-20 mA Output
WHITE	Relay Common
BLUE	Relay 1
ORANGE	Relay 2
GREEN	Relay 3
BROWN	Relay 4

TM3216 Bushing Dimensions



Ordering Information

Field Adjustable

ULS - ¹R - ²16M - ³78

1 - Output Type:

- A - Analog Output
- R - 4 Relay Output
- D - Analog and 4 Relay Output

2 - 16M - 1" NPT thread

3 - Cable Length:

- 78 - 78 inches (2 meter cable)
- 275 - 275 inches (7 meter cable)

1 - Accessories (Recommended optional separate item)

TM3216 - 2" NPT PVC isolating bushing. Recommended for optimal performance

Note: Please see page 52 for other available options



DESCRIPTION

This single float level switch is suitable for the use of monitoring maximum or minimum fluid levels. The nylon glass body is strong and resistant to chemicals. Rod height can be easily cut to length for fast integration into your system.

FEATURES

- Rapid level float switch
- User can easily customize length of rod
- Can be used in the presence of dirty liquids or ferrous particles due to lack of magnet
- Materials suitable for high temperatures

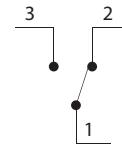
APPLICATIONS

- Hydraulic unit
- Coolant tanks
- Storage tanks

Specifications

Electrical	1A, 20W, 20VA, 150 VDC/VAC 0.5A, 30W, 500VDC
Switch Type	Reed Switch
Protection	DIN 43650 PG9 - IP65
Temperature Range	-20°F to 176°F (-29°C to 80°C)
Rod Material	Stainless Steel (Optional Reinforced Rods Brass)
Rod Length	500 mm or 1000 mm
Maximum Pressure	145 PSI (10 BAR)
Weight	0.5 lbs (0.25 kg)

Single Pole Double Throw Contact



Ordering Information

Example

LF1 - ¹**R** - ²**F3** - ³**S2** - ⁴**A500**

1 - Rod Type:

- Blank** - Stainless Steel Standard Rod
- R** - Reinforced Rod (Brass material)

2 - Thread Options:

- F3** - 3 Hole Flange
- T3** - 1-1/4 NPT

3 - Circuit:

- S2** - SPDT (Single Pole Double Throw)

4 - Control Rod Length:

- A500** - Standard rod length 500 mm
- A1000** - Standard rod length 1000 mm

* Rods can be cut to specific length. Please see pg 50 for cutting chart



DESCRIPTION

This double float level switch is ideal for monitoring both maximum and minimum fluid levels. This rapid fluid level switch is suitable for use with contaminated fluid. Rod height can be easily cut to length for fast implementation into your system. It has two rods to monitor two fluid levels.

FEATURES

- Rapid level float switch
- User can easily customize length of rod
- Can be used in the presence of dirty liquids or ferrous particles due to lack of magnet
- Materials suitable for high temperatures

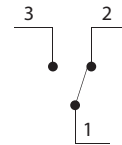
APPLICATIONS

- Process tank
- Batch monitoring
- Storage tanks

Specifications

Electrical	1A, 20W, 20VA, 150 VDC/VAC 0.5A, 30W, 500VDC
Switch Type	Reed Switch
Protection	Junction Box - IP65
Temperature Range	-20°F to 176°F (-29°C to 80°C)
Rod Material	Stainless Steel (Optional Reinforced Rods Brass)
Rod Length	500 mm or 1000 mm
Maximum Pressure	145 PSI (10 BAR)
Weight	0.9 lbs (0.4 kg)

Single Pole Double Throw Contact



Ordering Information

Example **LF2** - **R** - **F3** - **S2-S2** - **A500** - **B400**

1 - Rod Type:

- BLANK** - Stainless Steel Standard Rod
- R** - Reinforced Rod (Brass material)

2 - Thread Options:

- F3** - 3 Hole Flange
- T3** - 1-1/4 NPT

3 - Circuit:

- S2 - S2** - SPDT (Single Pole Double Throw)

4 - Lower Control Rod Length:

- A500** - Standard rod length 500 mm
- A1000** - Standard rod length 1000 mm

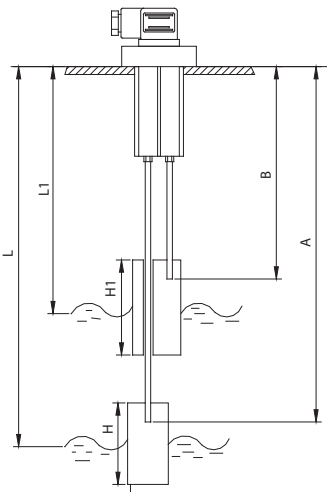
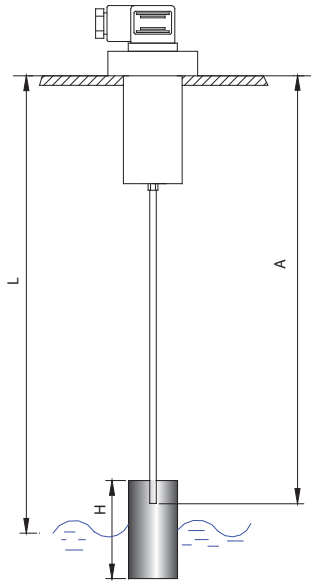
5 - Upper Control Rod Length:

- B400** - Standard rod length 400 mm
- B900** - Standard rod length 900 mm

* Minimum distance between the two points to be controlled is 90mm

** Rods can be cut to specific length. Please see pg 50 for cutting chart





Control Value L (mm)	Rod Cutting For Min Level A (mm)	Control Value L1 (mm)	Rod Cutting for Max Level B (mm)
120	116		
140	137		
160	158		
220	221	120	131
240	242	140	152
260	263	160	173
280	284	180	194
300	305	200	215
320	326	220	236
340	347	240	257
360	368	260	278
380	389	280	299
400	410	300	320
420	431	320	341
440	452	340	362
460	473	360	383
480	494	380	404
500	515	400	425
520	511	420	421
540	532	440	442
560	553	460	463
580	574	480	484
600	595	500	505
620	616	520	526
640	637	540	547
660	658	560	568
680	679	580	589
700	700	600	610
720	721	620	631
740	742	640	652
760	763	660	673
780	784	680	694
800	805	700	715
820	826	720	736
840	847	740	757
860	868	760	778
880	889	780	799
900	910	800	820
920	931	820	841
940	952	840	862
960	973	860	883
980	994	880	904
1000	1015	900	925

H = 60 for L = 120 to 500
H = 90 for L = 501 to 1000
H1 = 70 for L1 = 120 to 1000

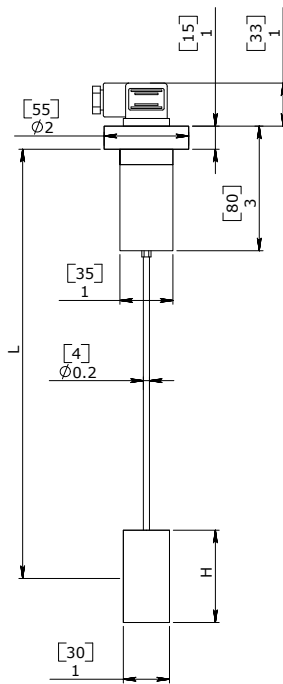
LEVEL SWITCH SPECIFICATION



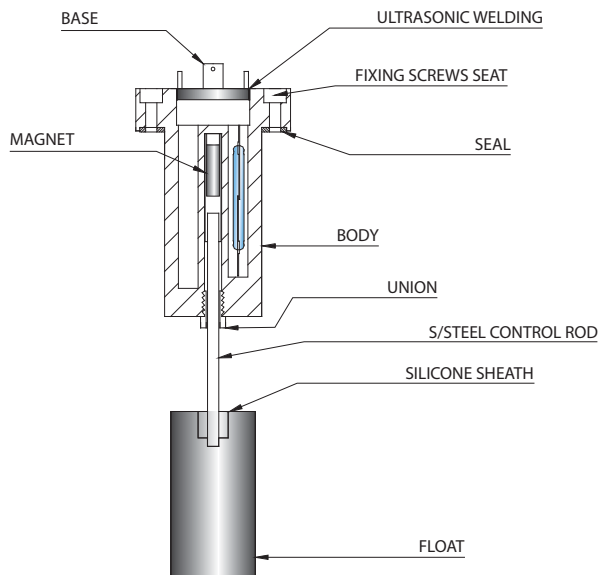
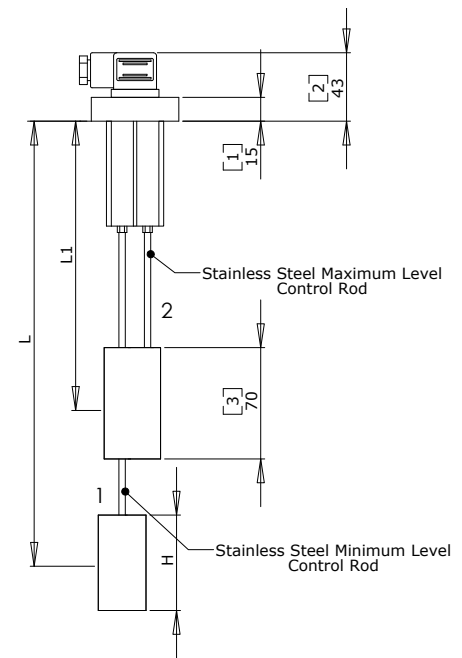
Wiring Code - LF1	
CONTACT	DIN 43650 TYPE
COMMON	PIN 1
NORMALLY CLOSED	PIN 2
NORMALLY OPEN	PIN 3

Wiring Code - LF2	
CONTACT	JUNCTION BOX
COMMON	YELLOW
NORMALLY CLOSED	BLUE
NORMALLY OPEN	WHITE

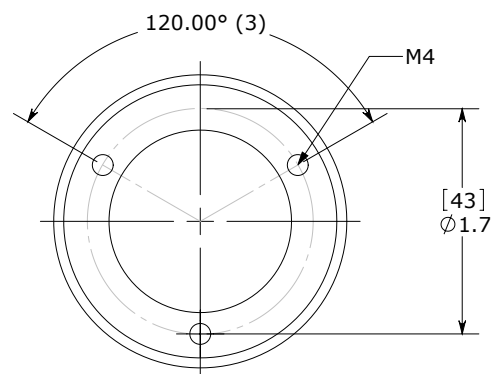
LF1



LF2



F3 Mounting Pattern:



LEVEL



DESCRIPTION

The VE series is a sight gauge level switch that can be installed on the side of a reservoir. It enables an operator to visually identify the liquid level and to generate an electrical signal for low or high level fluid detection. This easy to install switch is affordable and reliable. It is available in two different lengths.

FEATURES

- Compact size
- Easy to install
- Visual indicator

APPLICATIONS

- Water tank
- Hydraulic units
- Level monitoring

Specifications

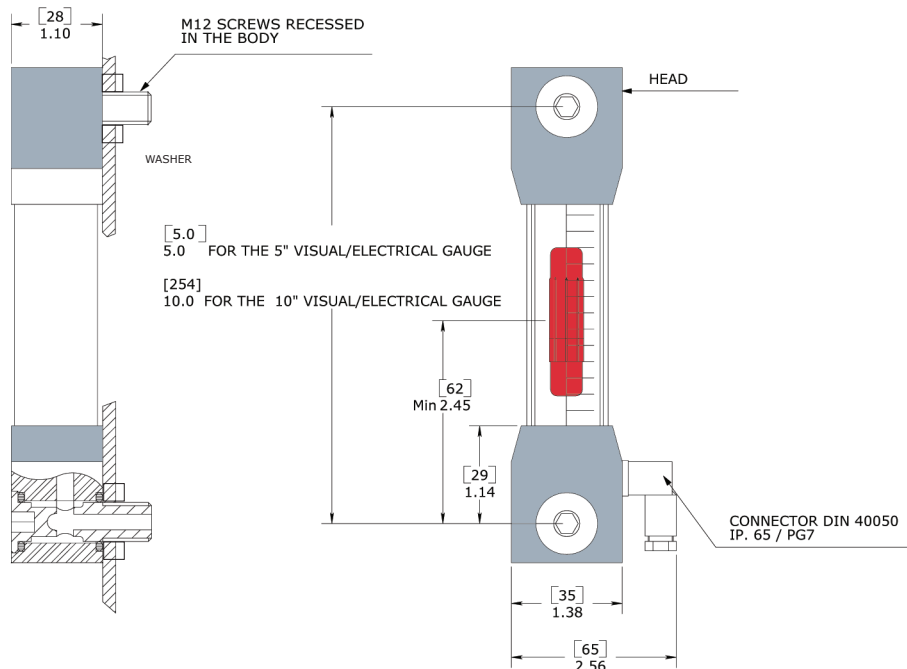
Electrical	1A, 20W, 20 VA. 150 VDC/VAC
Electrical Connection	DIN 40050
Protection	IP65
Temperature Range	-4°F to 158°F (-20°C to 70°C)
Tube Material	Methacrylate Tube
Mounting Method	M12 Screws
Maximum Overpressure	72.5 PSI (5 BAR)
Weight	0.5 lbs (0.25 kg)

Wiring Code

CONTACT	DIN 40050
COMMON	PIN 3
NORMALLY CLOSED	PIN 2
NORMALLY OPEN	PIN 1

* Reference to presence of fluid

Dimensions



Ordering Information

Description	5" Visual/Electrical Gauge	10" Visual/Electrical Gauge
Single Pole Double Throw	VE-127-M12-SPDT	VE-254-M12-SPDT
Single Pole Double Throw with Temperature Probe	VE-127-M12-SPDT-T	VE-254-M12-SPDT-T



DESCRIPTION

The VEC series is a sight gauge level switch with an optional temperature detection. This enables an operator to be able to visually identify the liquid level, provide an electrical signal for low or high level fluid detection as well as monitor the temperature in a reservoir.

FEATURES

- Compact size
- Easy to install
- Economical

APPLICATIONS

- Water tank
- Hydraulic units
- Level monitoring

Specifications

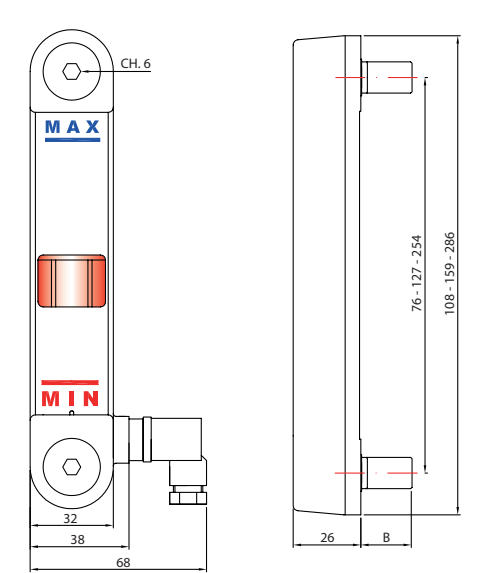
Electrical	1A, 20W, 20 VA, 150VDC/VAC
Electrical Connection	DIN 40050
Protection	IP65
Temperature Range	-4°F to 176°F (-20°C to 80°C)
Tube Material	TR 55 LX
Mounting Method	M12 Screws
Seal Material	Standard: NBR O-ring Optional: Viton
Maximum Pressure	72.5 PSI (5 BAR)
Weight	0.47 lbs (0.23 kg)

Wiring Code

CONTACT	DIN 40050
COMMON	PIN 1
NORMALLY CLOSED	PIN 3
NORMALLY OPEN	PIN 2
THERMOSTAT	Ground

* Reference to absence of fluid

Dimensions



Ordering Information

1 - Model Series

VEC - With electrical output

2 - Body Length:

127 - 127 mm
254 - 254 mm

3 - Screw Selection:

M12 - M12 thread, nickel plated brass

4 - Electrical Configuration for Level (Only for VEC model):

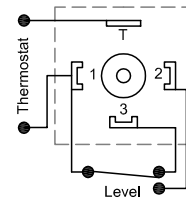
SPDT - Single Pole Double Throw

5 - Thermostat Factory set (Optional):

- BLANK** - No Thermostat
- 122NO** - 122°F (50°C), Normally Open
- 122NC** - 122°F (50°C), Normally Closed
- 140NO** - 140°F (60°C), Normally Open
- 140NC** - 140°F (60°C), Normally Closed
- 158NO** - 158°F (70°C), Normally Open
- 158NC** - 158°F (70°C), Normally Closed
- 176NO** - 176°F (80°C), Normally Open
- 176NC** - 176°F (80°C), Normally Closed

5 - Option (Omit if not required):

- 1** - Viton



Ordering Information

2 - Thread Options:

- 2M** - 1/8 NPT male
- 4M** - 1/4 NPT male
- 2G** - 1/8 BSPP male, G1/8
- 4G** - 1/4 BSPP male, G1/4
- 4GT** - 1/4 BSPT tapered male, R1/4
- 4S** - 7/16-20 SAE male, with O-ring seal
- 4SLN** - 7/16-20 SAE male, with O-ring seal, adjustable
- 6S** - 9/16-18 SAE male, with O-ring seal
- 8S** - 3/4 - 16 SAE male, with O-ring seal
- 6M** - 3/8 NPT male
- 8M** - 1/2 NPT male
- M10** - M10 X 1.0 male (ISO 9974)
- M12** - M12 X 1.5 male (ISO 9974)

4 - Electrical Termination:

- H** - DIN 43650A - connector type - male half only (only available in SPDT option)
- HC** - DIN 43650A - connector type (only available in SPDT option)
- HC-5A** - DIN 43650A - connector type with light 12 VDC
- HC-5B** - DIN 43650A - connector type with light 24 VDC
- HC-5C** - DIN 43650A - connector type with 110/230 VAC
- HR** - 90 Degree DIN 43650A - connector type - male half only (only available in SPDT option)
- HCR** - 90 Degree DIN 43650A - connector type (only available in SPDT option)
- HN** - DIN 43650A 1/2" Female Conduit (only available in SPDT option)
- HNR** - DIN 43650A 1/2" Female Conduit (only available in SPDT option)
- FL** - Flying Lead 18" long, 18 AWG
- FLWF** - Flying Lead Weatherpack connector, female, Tower, 10" long leads
- FLWM** - Flying Lead Weatherpack connector, male, Shroud, 10" long leads
- FLDP** - Flying Lead Deutsch connector, plug, 10" long leads (male)
- FLDR** - Flying Lead Deutsch connector, receptacle, 10" long leads (female)
- FLCM** - Flying Lead Metripack, male, 150 Series
- FLCF** - Flying Lead Metripack, female, 150 Series
- FLPM** - Flying Lead Metripack, male, 280 Series
- FLPF** - Flying Lead Metripack, female, 280 Series
- SP** - 1/4" Spade
- TS** - Terminal Screw
- EL** - Male 1/2 NPT Conduit with 18" leads
- EF** - Female 1/2 NPT Conduit 18" leads

5 - Options:

- 1** - Viton® Diaphragm
- 2** - EPDM Diaphragm
- 3** - 316 Stainless Steel Housing
- 4** - HNBR Diaphragm
- 7** - Gold Contact
- 8** - 10 amp, Snap Action Microswitch @ 10(2) 125 VAC (inductive), 6(2) 250 VAC (inductive)
- 20** - Seal Adjustment Screw
- 30** - Rubber Boot - Removable
- 35** - Bonded Seal
- OC** - Oxygen Cleaned Switches
- SR** - Snubber
- SL** - Split Flex Loom
- HS** - Heat Shrink
- WS** - Weather Shielding IP 67
- CA** - IP67 rated protective cover with a removable plug (For SPA, SWA, SMA, SVA models)
- CS** - IP67 rated protective cover for factory set models (For SPF, SWF, SMF, SVF models)

OPTIONS - AVAILABILITY



		DESCRIPTION	SPA	SWA	SMA	SDCA	SKBA	SKDA	SPAL	SLF	SPAH	DSPA	SVA	SPVL	TC	T200 T201	
THREAD	2G	1/8 BSPP Male	●	●	○		●	●	●	●	●		●	●		○	
	4G	1/4 BSPP Male	●	●	●	●	●	●	●	●	●	●	●	●	○	●	
	4GF	1/4 BSPP Female				●				●							
	4GB	1/4 BSPP Male, Brass										○					
	2M	1/8 NPT Male	●	●	●		●	●	●	●	●		●	●		●	
	4M	1/4 NPT Male	●	●	●	●	●	●	●	●	●	●	●	●	●	●	●
	4MF	1/4 NPT Female				●				●							
	4GT	1/4 BSPT	●														
	6M	3/8 NPT Male															
	4S	7/16 - 20 SAE Oring Male	●	○	●	●	●	●					●		●	●	
	4SLN	7/16 - 20 SAE Oring Male, Adjustable			●	○											
	6S	9/16 - 18 SAE Oring Male	●	○	●	○	●	●					●			●	
	8S	3/4 - 16SAE Oring Male															
	ELECTRICAL	M10	M10 x 1.0 Male	○	○	●		●	●					○			○
M12		M12 x 1.5 Male	○	○	●		●	●					○			○	
H		DIN 43650A male half	●		●							●	●				
HC		DIN 43650A	●		●							●	●				
HC-5A		DIN 43650A 12 VDC	●		●							●	●				
HC-5B		DIN 43650A 24 VDC	●		●							●	●				
HC-5C		DIN 43650A 110 / 230 VAC	●		●							●	●				
HR		90 Degree DIN 43650A male	●	●	●	●							●				
HCR		90 Degree DIN 43650A	●	●	●	●							●				
HN		DIN 43650A 1/2" Conduit	●		●							●	●				
HNR		90 Degree DIN 43650A 1/2" Conduit	●	●	●	●							●				
FL		Flying Lead, 18 AWG	●	●	●		●		●	●			●	●			
FLWF		Flying Lead Weatherpack Tower	●	●	●		●		●	●			●	●			
FLWM		Flying Lead Weatherpack Shroud	●	●	●		●		●	●			●	●			
FLDP		Flying Lead Deutsch plug	●	●	●		●		●	●			●	●			
FLCM		Flying Lead Metripack male 150 series	●	●	●		●		●	●			●	●			
FLCF		Flying Lead Metripack female 150 series	●	●	●		●		●	●			●	●			
FLPM		Flying Lead Metripack male 280 series	●	●	●		●		●	●			●	●			
FLPF		Flying Lead Metripack female 280 series	●	●	●		●		●	●			●	●			
SP		1/4" Spades	●	●	●		●		●	●	●		●	●			
TS	Terminal Screw							●					●				
MISCELLANEOUS OPTIONS	1	VITON Seal	●	●	●	●	●	●				●	●			●	
	2	EPDM Seal	●	●	●	●	●	●	○			●	●			●	
	3	Stainless Steel	●	○	●	○	○	○				○	●				
	4	HNBR	●	●	●	●	●	●				●	●			●	
	6	Lead Free Brass	●	●									●				
	7	Gold Contact Microswitch	●	●	●	●	●	●				●	●				
	8	10A Microswitch	●	●	●	●						●	●				
	20	Seal Adjustment Screw	●	●	●	●	●	●	●			●	●				
	30	Rubber Boot					●		●								
	35	Bonded Seal (Available for M10, M12, 1/8 BSPP, 1/4 BSPP threads only)	●	●	●	●	●	●	●	●		●	●			●	
	OC	Oxygen Cleaned Switches	○	○	○	○	○	○					○			○	
	SR	Snubber	●	●	●	●	●	●					●			●	
	SL	Split Flex Loom	●	●	●		●		●	●			●	●			
	HS	Heat Shrink	●	●	●		●		●	●			●	●			
WS	Weather Shielding IP67 Rating	●	●	●								●					

● - Standard
○ - May require minimum quantity

MISC

Media	Nitrile	EPDM	Viton
Acetic Acid		•	
Acetone		•	
Acetylene	•		
Air	•		
Alcohols	•		
Alkalies (weak)	•		
Alkalies (strong)		•	
Ammonia (Anhydrous)	•		
Ammonia (Hydroxide)		•	
Asphalt			•
Automotive Oils	•		
Beer	•		
Benzene			•
Boric Acid	•		
Brake Fluid		•	
Bunker Oil	•		
Butane	•		
Butyl Cellosolve		•	
Carbon Dioxide	•		
Carbon Monoxide	•		
Cellube		•	
Chlorobenzene			•
Citric Acid	•		
Coke Oven Gas			•
Coolanol	•		
Diesel Fuels	•		
Di-Ester Lube (MIL-L-7808)			•
Dowtherm A&E		•	
Ethanol	•		
Ether		•	
Ethylene	•		
Ethylene Glycol	•		
Freon 11, 12, 112, 114	•		
Freon 22		•	
Fyrquel		•	
Fuel Oil	•		
Gasoline	•		
Glycerin	•		
Helium	•		
Hexane	•		

Media	Nitrile	EPDM	Viton
Hydraulic Oil (PET Base)	•		
Hydrocarbons	•		
Hydrogen	•		
Hydrogen Sulphide		•	
Isopropanol		•	
JP-3-6	•		
Kerosene	•		
LPG	•		
Lube Oil (PET Base)	•		
Methanol	•		
MEK		•	
Mineral Oil	•		
Motor Oils	•		
Naptha		•	
Natural Gas	•		
Nitric Acid		•	
Nitrogen	•		
Oleum Spirits			•
Oxygen			•
Ozone		•	
Cruide Oil	•		
Phosphoric Acid			•
Propane	•		
Propanol	•		
Pydral (135, 150, A200)			
Shell Iris 902	•		
Silicone Greases	•		
Silicone Oils	•		
Skydrol 500 & 7000		•	
Soap Solutions	•		
Steam below 320°F		•	
Stoddard Solvent	•		
Sulfuric Acid			•
Toluene			•
Transmission Fluid A	•		
Trisodium Phosphate	•	•	
Turpentine	•		
Water to 220°F (104°C)		•	
Water to 302°F (150°C)		•	

Recommended Temperature Range

Nitrile: -20°F to 180°F (-29°C to 82°C)
 HNBR: -20°F to 248°F (-29°C to 120°C)

EPDM: -20°F to 248°F (-29°C to 120°C)
 Viton: 23°F to 248°F (-5°C to 120°C)

ELECTRICAL CONFIGURATION



FLDR - Deutsch DT04-2P (Receptacle, 2 Tower) Only available for SPST	FLDP - Deutsch DT06-2S (Plug, 2 Tower) Only available for SPST	FLDR - Deutsch DT04-3P (Receptacle, 3 Tower) Only available for SPDT	FLDP - Deutsch DT06-3S (Plug, 3 Tower) Only available for SPDT
FLWF - Weather Pack (Female, 2 Tower) Only available for SPST	FLWM - Weather Pack (Male, 2 Shroud) Only available for SPST	FLWF - Weather Pack (Female, 3 Tower) Only available for SPDT	FLWM - Weather Pack (Male, 3 Shroud) Only available for SPDT
FLCF - Metripack 150 Series (Female) Only available for SPST	FLCM - Metripack 150 Series (Male) Only available for SPST	FLCF - Metripack 150 Series (Female) Only available for SPDT	FLCM - Metripack 150 Series (Male) Only available for SPDT
FLPF - Metripack 280 Series (Female) Only available for SPST	FLPM - Metripack 280 Series (Male) Only available for SPST	FLPF - Metripack 280 Series (Female) Only available for SPST	FLPM - Metripack 280 Series (Male) Only available for SPST
HC DIN 43650 Form A Only available for SPDT	HN DIN 43650A 1/2" Conduit Only available for SPDT	FL Flying Leads	SP 1/4" Spade Terminals
~-30" BOOT			

Terminology	
Accuracy (Repeatability)	Accuracy is the maximum allowable set point deviation of a single pressure or temperature switch under one given set of environmental and operational conditions.
Actuation Point and Deactuation Point	The actuation point (sometimes called set point) is the exact point at which the electrical circuit controlled by the switching element is opened (or closed) on increasing pressure or temperature. The deactuation point is the opposite of the point at which the electrical circuit is closed (or opened) on decreasing pressure or temperature.
Adjustable Range	It is the range within which a switch can be set from lowest to highest set point.
Bimetal Temperature Switch	A temperature sensing device that contains a bimetallic strip. It has a specified temperature set point for which the switch will open or close the circuitry.
Blade Contact	A pressure switch that is not operated by a microswitch, but rather the circuitry is opened or closed through a piece of metal that bridges the two terminals.
Dead Band Differential	Sometimes referred to as "hysteresis", is the change in pressure between the actuation and deactuation set points.
Diaphragm	The membrane of flexible material (Buna, EPDM, Viton®), which is deflected by input pressure.
Field Adjustable	A sensor which has been designed to permit adjustment or calibration of set points in field applications.
Fluid	In engineering terms, a liquid or gas which tends to conform to the shape of its container, and which alters its shape in response to applied force.
Gauge Pressure	A form of differential pressure measurement which uses atmospheric pressure (14.7psia) as the zero reference.
Gold Contacts	Gold switching elements provide high corrosion resistance and high reliability when switching low voltage circuits.
Impedance	In a circuit, the opposition to flow of alternating current, consisting of ohmic resistance, inductive reactance, and capacitive reactance.
Inductive Load	Load from electrical devices which are made of wound or coiled wire. Current passing through the windings creates a magnetic field which produces mechanical work. When an inductive circuit is switched open, energy stored in the coil can reverse flow, sparking at the switch contact surfaces.
Maximum System Pressure	Rated pressure above the normal system pressure, including surges or spikes.

Terminology	
Normally Closed Switching Element	Is one in which the terminals are wired so that current can flow through the switching element until pressure is applied to open the electrical circuit.
Normally Open Switching Element	Is one in which the terminals are wired so that no current can flow through the switching element until the pressure is applied to close the electrical circuit.
Pressure Range	Minimum and maximum pressure for which a sensor has been calibrated or specified.
Pressure, Proof	Proof Pressure (normally 1-1/2 times system pressure) is the maximum static pressure which can be applied to any switch without causing permanent degradation.
Pressure Sensing Element	That portion of the pressure switch that is in contact with and moves as a result of a change in pressure of the fluid. The most common type of pressure sensing elements are diaphragms, bellows, bourdon tubes, and pistons.
Pressure Switch	An instrument that upon the increase or decrease of a pressure or vacuum, opens or closes one or more electrical switching elements at a predetermined actuation point (setting).
Reed Switch	Is an electrical switch operated by an applied magnetic field. It consists of a pair of contacts, either normally open or normally closed, in a hermetically sealed glass tube.
Resistive Load	Load from devices which use electrical resistance to produce heat or light. Resistive loads cause current to flow in only one direction through a circuit.
Set Point	The point at which motion of the pressure or vacuum or temperature sensing element causes the switch to function.
Single Pole Double Throw (SPDT)	A SPDT switching element has one normally open, one normally closed and one common terminal. Three terminals mean that the switch can be wired with the circuit either normally open (N/O) or normally closed (N/C) or both.
Snap-Action Switch	A mechanically operated electric switch which, once its actuator has reached its operating (or release) point, immediately transfers to its opposite position without further travel of the actuator.
Temperature Range	The ambient temperature range through which a product can operate



Toll Free (CANADA & USA):
1-877-774-8808

Canada
Anfield Sensors Inc.
8831 Keele Street,
Concord, Ontario, Canada, L4K 2N1
Phone : (905) 303-8700
Fax : (905) 303-7130
Email : sales@anfieldsensors.com

USA
Anfield Industries Inc.
375 International Park, Suite 300
Newnan, GA, 30265
Phone : (404) 530-3804
Fax : (404) 530-3805
Email : info@anfieldind.com

Released: September 2019