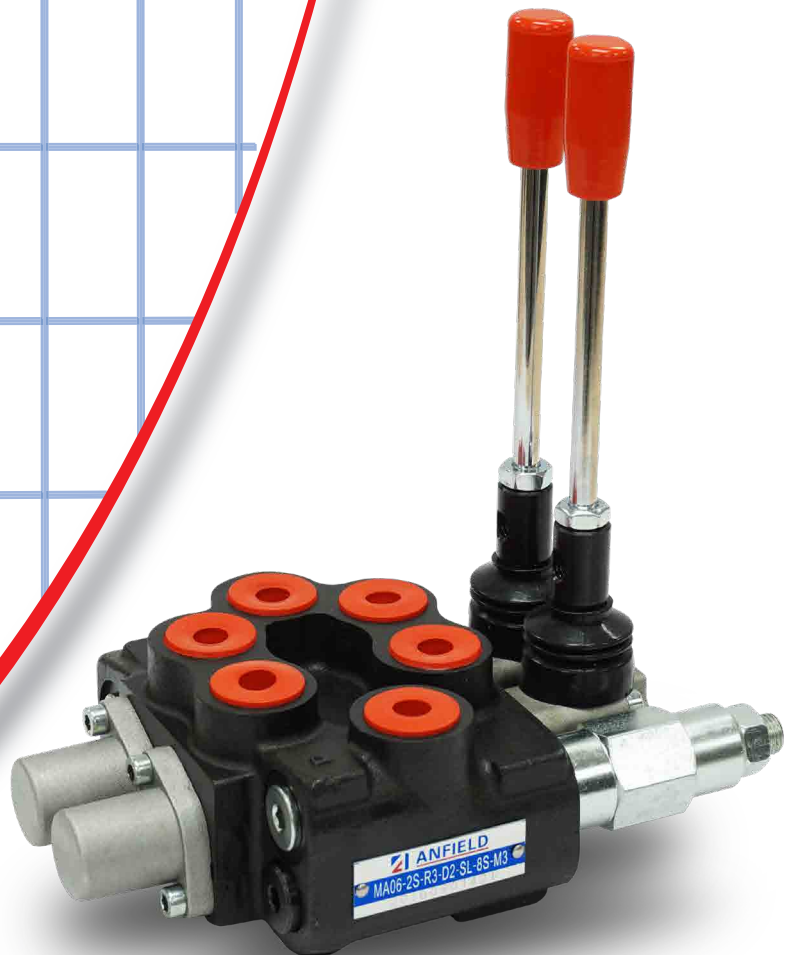




MONOBLOCK VALVE





MONOBLOCK DIRECTIONAL CONTROL VALVES

For mobile and industrial hydraulic applications.

MA06 (6 GPM)

General Specifications	4
Dimensions	5
Performance Chart	6
Ordering Code	7

MAV12 (12 GPM , Single Section)

General Specifications	8
Dimensions	9
Performance Chart	10
Ordering Code	11

MA12 (12 GPM)

General Specifications	12
Dimensions	13
Performance Chart	14
Ordering Code	15

MA18 (18 GPM)

General Specifications	16
Dimensions	17
Performance Chart	18
Ordering Code	19

MAC21 (21 GPM)

General Specifications	20
Dimensions	21
Performance Chart	22
Ordering Code	23



MA06 - GENERAL SPECIFICATIONS

MA06 SERIES



Anfield valve model MA06 model is a 6 gpm (25 l/m) monoblock directional valve that is available from single spool through 4 spool configurations. They feature metered spools for smooth shifting and transition, built in adjustable relief valve, hardened steel spools and come standard with SAE 8 work and inlet/outlet ports. The hand levers are field adjustable for either horizontal or vertical mounting. Field convertible to utilize the power beyond plug. Stock configurations with open center, blocked center for cylinder applications or Pressure blocked, A & B to Tank center position for motor applications.

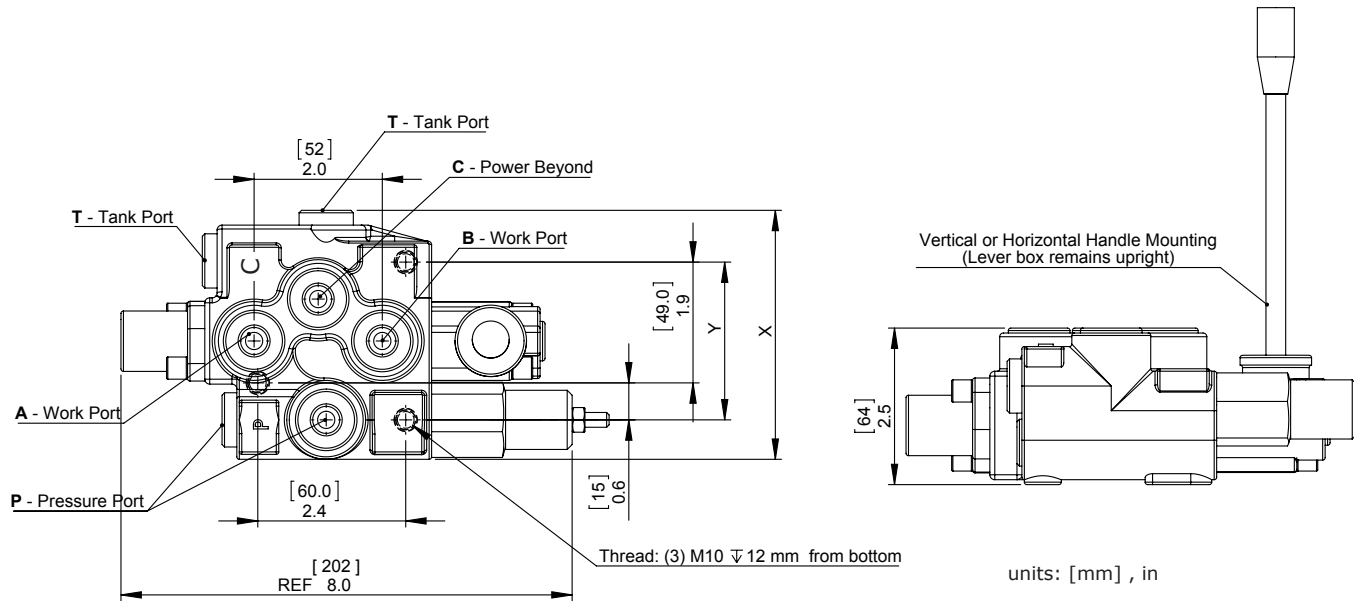
Applications:

- Agricultural
- Construction
- Mining
- Material handling equipment
- Maintenance machinery

TECHNICAL DATA

Nominal Flow Rate	6 GPM	25 L/min
Max Flow Rate	8 GPM	30 L/min
Sections Available	1 to 4 Sections	
Max. Operating Pressure	3600 psi	250 bar
Max Pressure for P port	3600 psi	250 bar
Max Pressure for A & B port	3600 psi	250 bar
Max Pressure for T port	360 psi	25 bar
Recommended Oil Viscosity Range	0.02 to 0.12 in ² /s	15 to 75 mm ² /s
Recommended Temperature Range	-40°F to 140°F	-40°C to 60°C

MA06 - DIMENSIONS



STANDARD THREADS

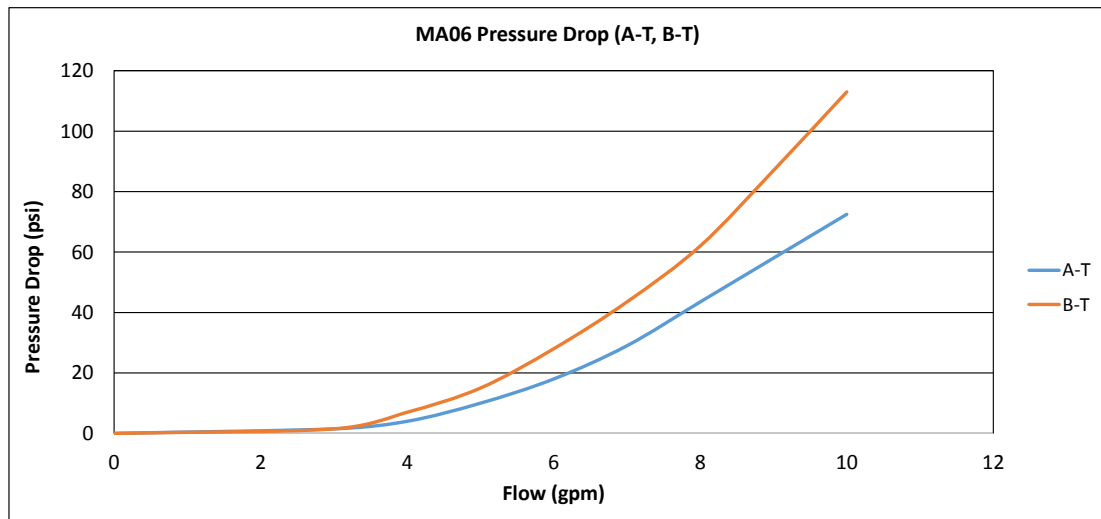
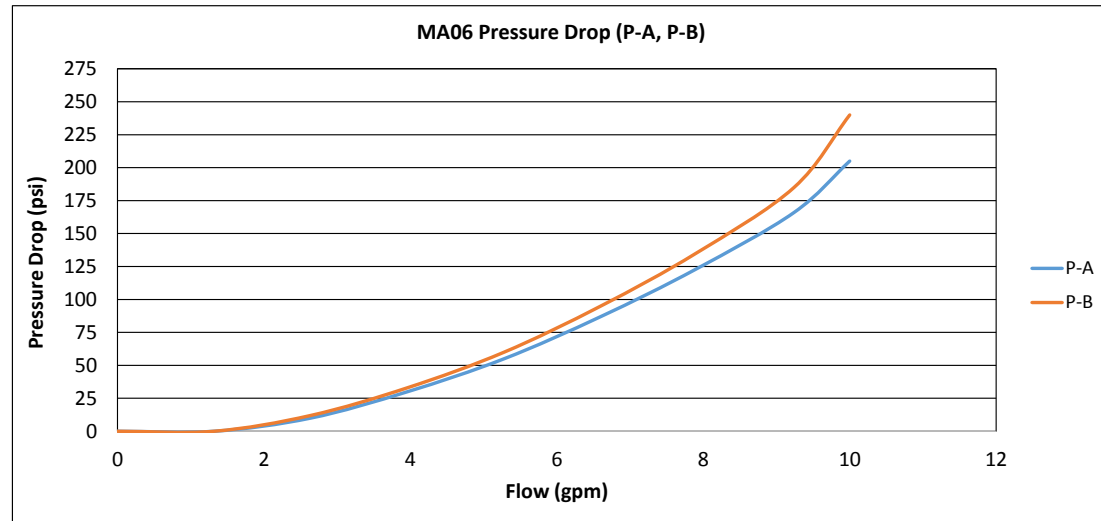
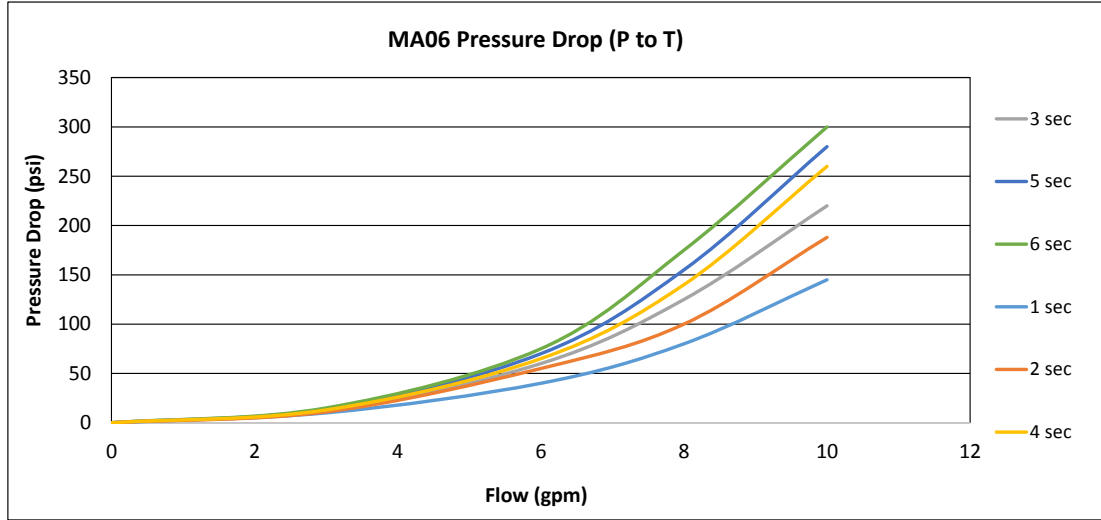
Ports	Inlet P	A and B	Outlet T	Outlet C
		9/16-18 (SAE 6)	9/16-18 (SAE 6)	9/16-18 (SAE 6)

STANDARD DIMENSIONS & WEIGHT

Model	X		Y		LBS
	inch	mm	inch	mm	
MA06 - 1 Spool	3.9	100	2.5	64	7
MA06 - 2 Spool	5.2	132	3.8	96	10
MA06 - 3 Spool	6.5	164	5.0	128	15
MA06 - 4 Spool	7.7	196	6.3	160	18



MA06 - GENERAL SPECIFICATIONS



MA06 - ORDERING CODE



Ordering Code :

Example :

First Spool

Second Spool

 MA06 - 2S - R2 - D1 - 1 - L - D2 - 1 - L - 6S - M8

1. BODY KITS :

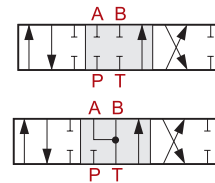
- 1S** - 1 Section
- 2S** - 2 Section
- 3S** - 3 Section
- 4S** - 4 Section

2. INLET RELIEF:

- R2** - 40 Bar to 180 Bar (580 psi to 2610 psi), Standard Setting 80 Bar (1160 psi)
- R3** - 63 Bar to 200 Bar (914 psi to 2900 psi), Standard Setting 120 Bar (1740 psi)
- R4** - 160 Bar to 315 Bar (2320 psi to 4568 psi), Standard Setting 220 Bar (3190 psi)
- SV** Relief valve blanking plug

3. SPOOL TYPE:

- D1** - 4 Way 3 Position
A, B Closed in Neutral Position
- D2** - 4 Way 3 Position
A, B Open to Tank in neutral Position



4. A SIDE SPOOL POSITION

- 1** - 3 Position Detent
- S** - Spring Center to Neutral
- DS3** - Detent in position 1 with spring centered



5. B SIDE SPOOL POSITION

- L** - Lever Handle

6. THREAD

- 6S** - A & B Ports - 9/16-18 (SAE6)

7. OPTIONS

- M3** - No Power Beyond
- M8** - Power Beyond

*Other options available upon request



MAV12 - GENERAL SPECIFICATIONS



MAV12 SERIES

Anfield valve model MAV12 model is a 12 gpm (45 l/m) monoblock directional valve that is only offered in a single spool configuration for a compact design. MAV12 features metered spools for smooth shifting and transition, built in adjustable relief valve, hardened steel spools and come standard with SAE 8 work and inlet/outlet port. The hand levers are field adjustable for either horizontal or vertical mounting. Stock configurations with open center, blocked center for cylinder applications or Pressure blocked, A & B to Tank center position for motor applications.

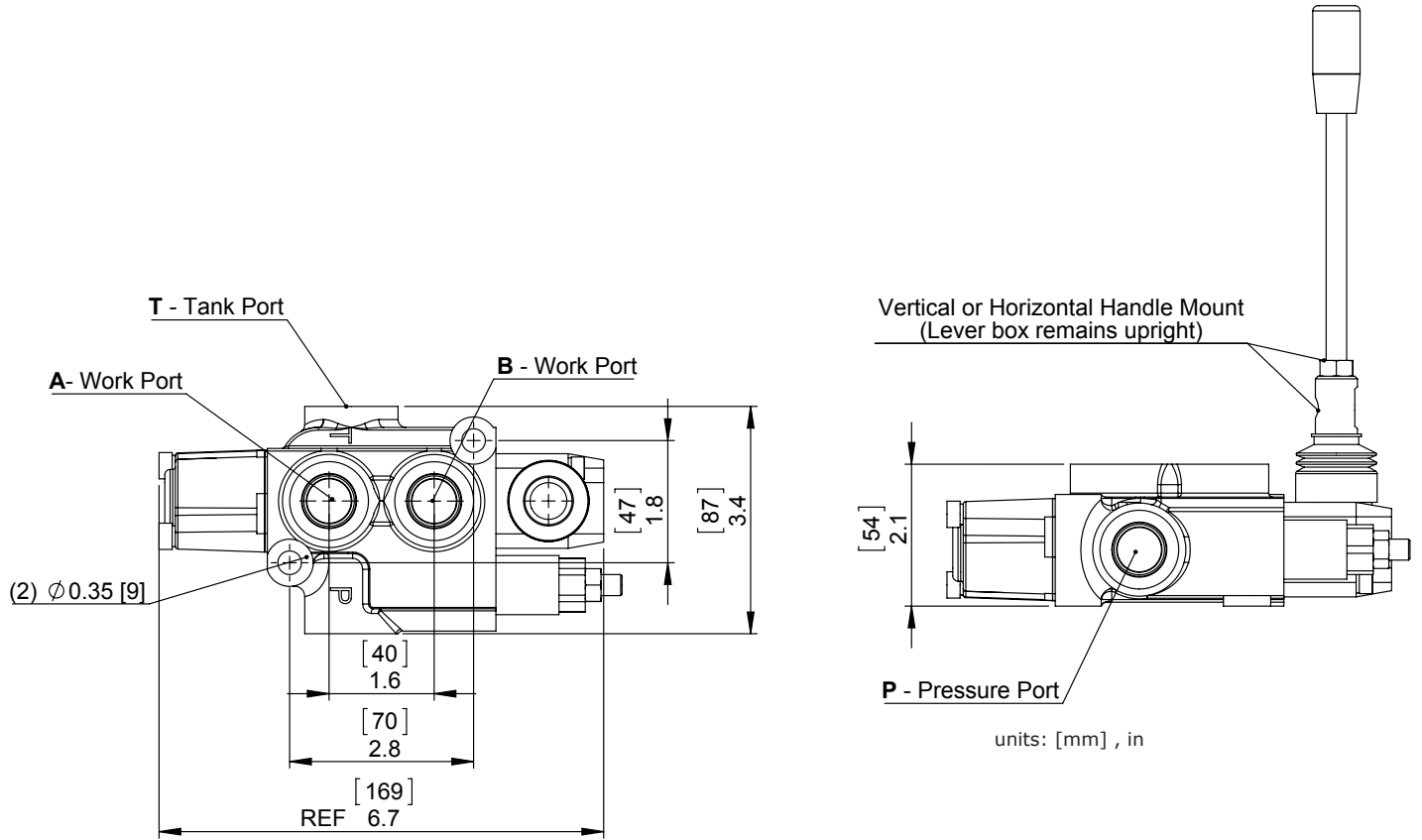
Applications:

- Agricultural
- Construction
- Mining
- Material handling equipment
- Maintenance machinery

TECHNICAL DATA

Nominal Flow Rate	12 GPM	45 L/min
Max Flow Rate	14 GPM	55 L/min
Sections Available	1 Section	
Max. Operating Pressure	4500 psi	310 bar
Max Pressure for P port	4500 psi	310 bar
Max Pressure for A & B port	4500 psi	310 bar
Max Pressure for T port	360 psi	25 bar
Recommended Oil Viscosity Range	0.02 to 0.12 in ² /s	15 to 75 mm ² /s
Recommended Temperature Range	-40°F to 140°F	-40°C to 60°C
Weight	7.5 lbs	3.3 kg

MAV12 - DIMENSIONS

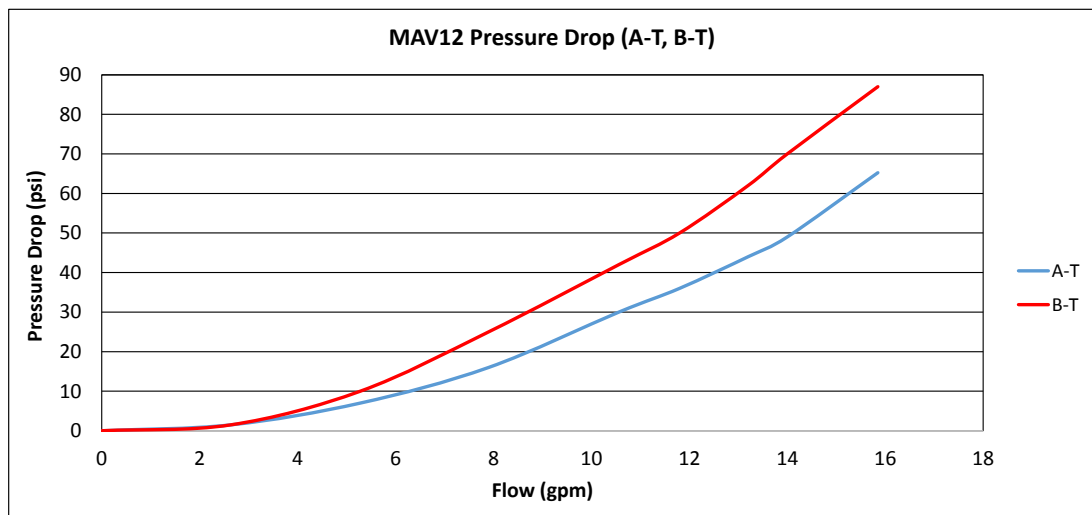
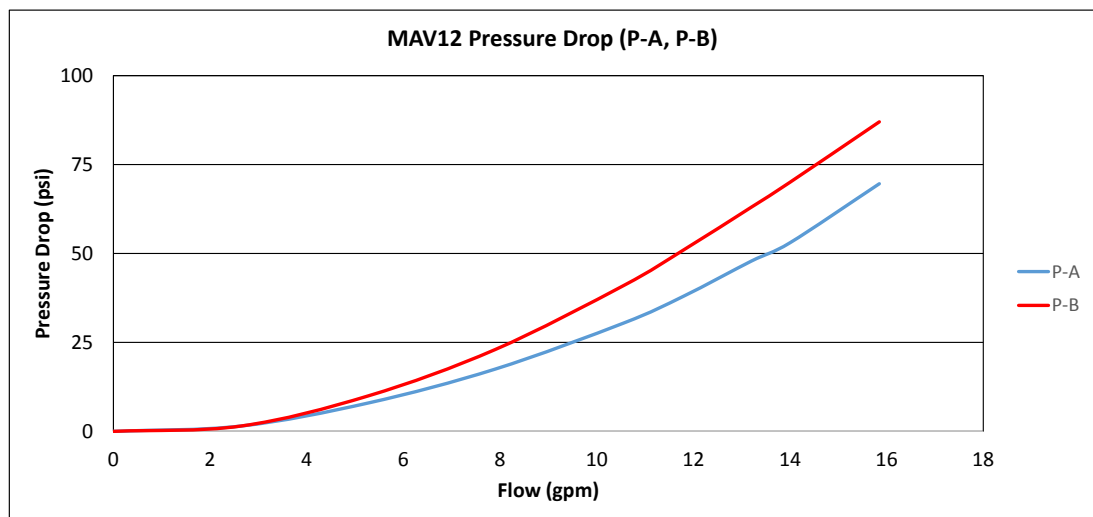
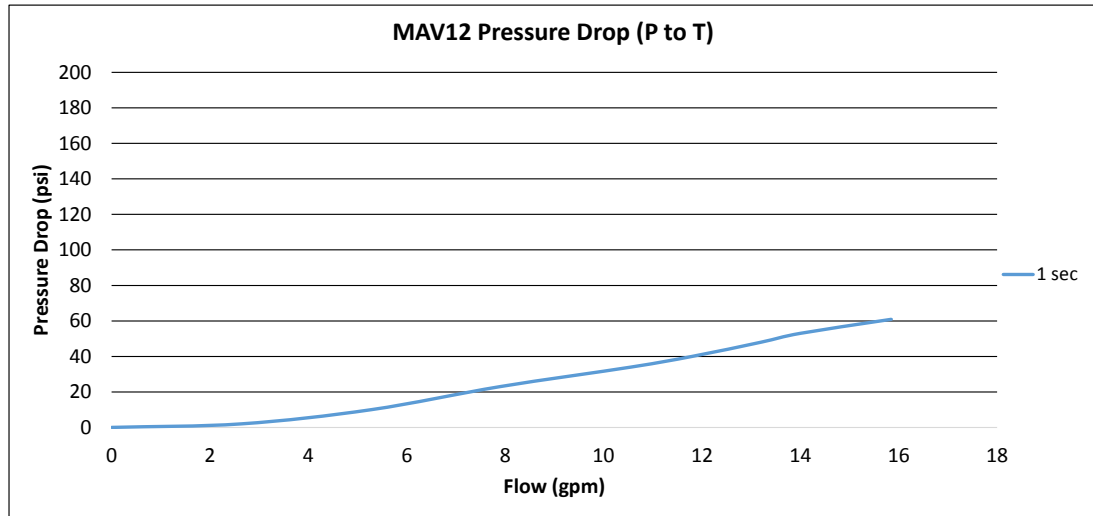


STANDARD THREADS

Ports	Inlet P	A and B	Outlet T
		3/4-16 (SAE 8)	3/4-16 (SAE 8)



MAV12 - GENERAL SPECIFICATIONS



MAV12 - ORDERING INFORMATION



Ordering Code :

Example :

MAV-12 - 1S - R2 - D1 - 1 - L - 8S - M1

1. BODY KITS :

1S - 1 Section (Only offered with 1 section)

2. INLET RELIEF:

R2 - 40 Bar to 180 Bar (580 psi to 2610 psi), Standard Setting 80 Bar (1160 psi)

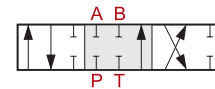
R3 - 63 Bar to 200 Bar (914 psi to 2900 psi), Standard Setting 120 Bar (1740 psi)

R4 - 160 Bar to 315 Bar (2320 psi to 4568 psi), Standard Setting 220 Bar (3190 psi)

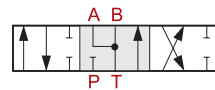
SV Relief valve blanking plug

3. SPOOL TYPE:

D1 - 4 Way 3 Position
A, B Closed in Neutral Position



D2 - 4 Way 3 Position
A, B Open to Tank in neutral Position



4. A SIDE SPOOL POSITION

1 - 3 Position Detent



S - Spring Center to Neutral



5. B SIDE SPOOL POSITION

L - Lever Handle

DP - Dust Plate (No handle and handle box)

6. THREAD

8S - A & B Ports - 3/4-16 (SAE8)

7. PORT

M1 - No Power Beyond



MA12 - GENERAL SPECIFICATIONS

MA12 SERIES



Anfield valve model MA12 model is a 12 gpm (45 l/m) monoblock directional valve that is available from single spool through 6 spool configurations. They feature metered spools for smooth shifting and transition, built in adjustable relief valve, hardened steel spools and come standard with SAE 8 work and inlet/outlet ports. The hand levers are field adjustable for either horizontal or vertical mounting. Field convertible to utilize the power beyond plug. Stock configurations with open center, blocked center for cylinder applications or Pressure blocked, A & B to Tank center position for motor applications.

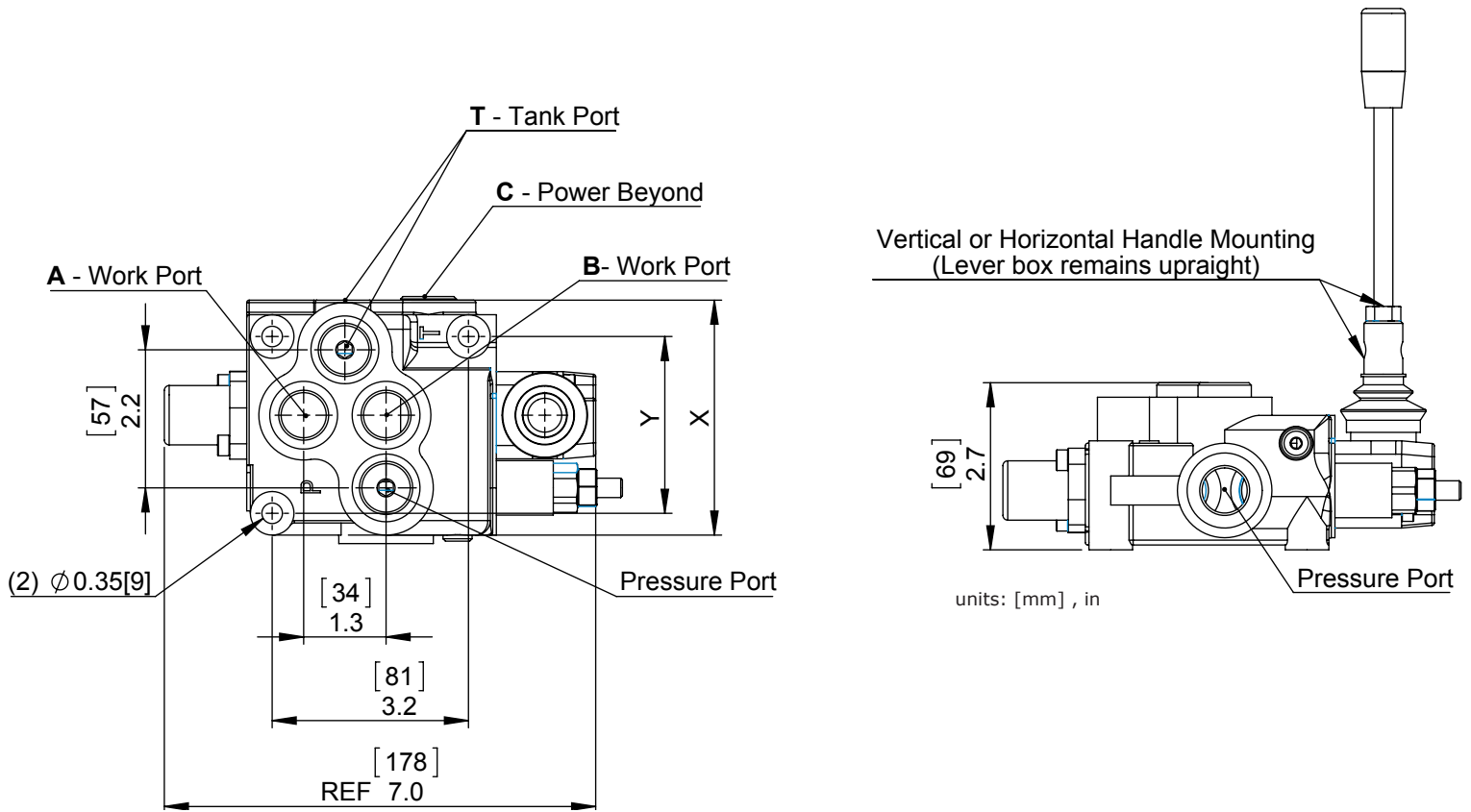
Applications:

- Agricultural
- Construction
- Mining
- Material handling equipment
- Maintenance machinery

TECHNICAL DATA

Nominal Flow Rate	12 GPM	45 L/min
Max Flow Rate	14 GPM	55 L/min
Sections Available	1 to 6 Sections	
Max. Operating Pressure	4500 psi	310 bar
Max Pressure for P port	4500 psi	310 bar
Max Pressure for A & B port	4500 psi	310 bar
Max Pressure for T port	360 psi	25 bar
Recommended Oil Viscosity Range	0.02 to 0.12 in ² /s	15 to 75 mm ² /s
Recommended Temperature Range	-40°F to 140°F	-40°C to 60°C

MA12 - DIMENSIONS



STANDARD THREADS

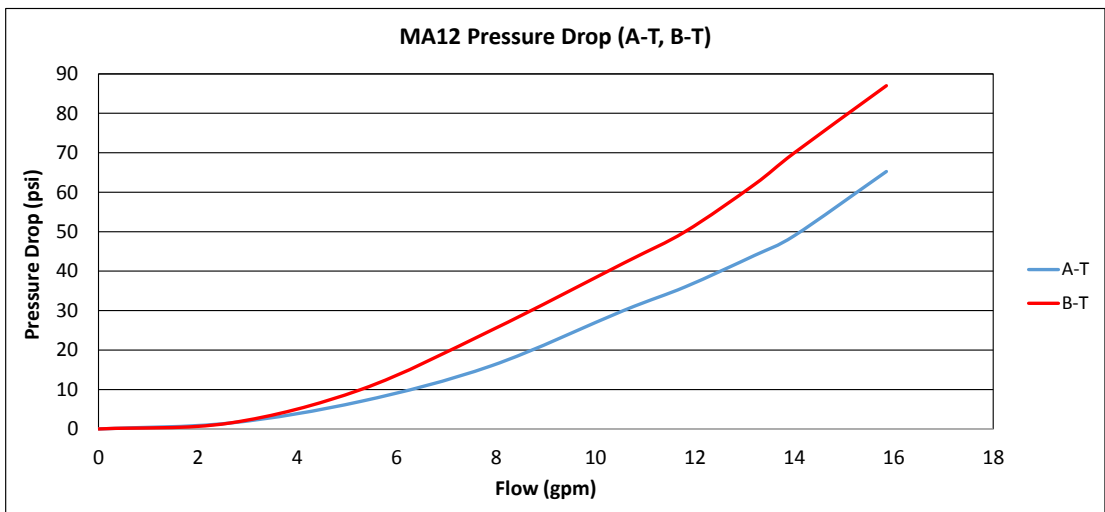
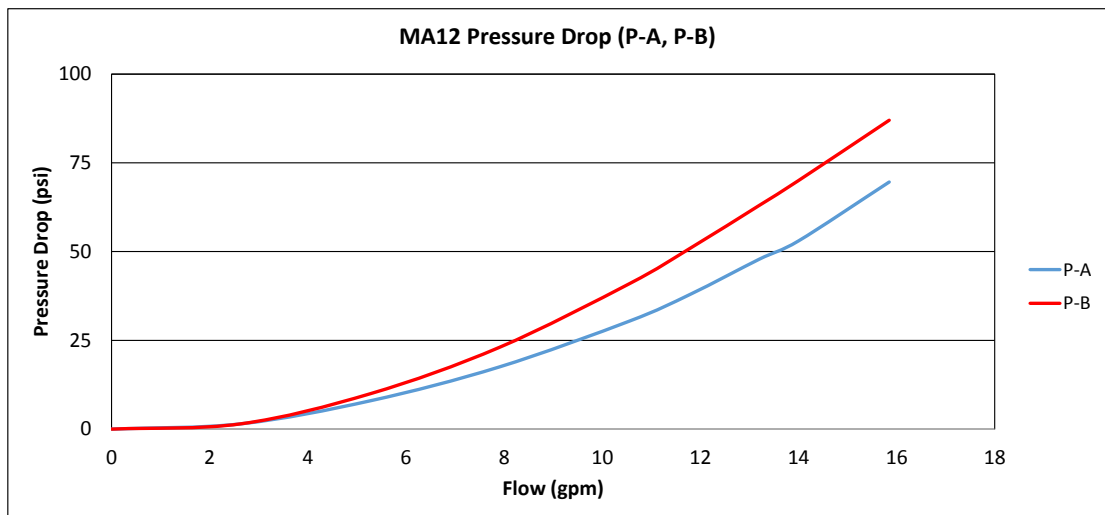
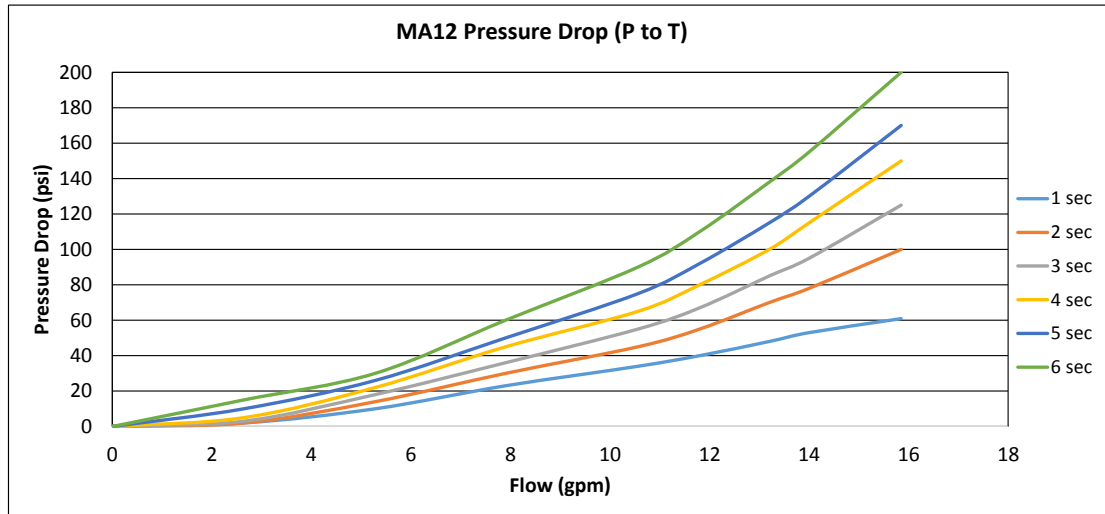
Ports	Inlet P	A and B	Outlet T	Outlet C
	3/4-16 (SAE 8)	3/4-16 (SAE 8)	3/4-16 (SAE 8)	3/4-16 (SAE 8)

STANDARD DIMENSIONS

Model	X		Y		Z		LBS
	inch	mm	inch	mm	inch	mm	
MA12 - 1 Spool	3.9	100.5	2.8	73	2.8	70	7.5
MA12 - 2 Spool	5.4	137.5	4.3	110	3.2	81	13
MA12 - 3 Spool	6.9	174.5	5.7	147	3.2	81	16
MA12 - 4 Spool	8.3	211.5	6.3	160	3.2	81	21
MA12 - 5 Spool	9.7	248.5	8.6	220	3.2	81	24
MA12 - 6 Spool	11.2	285.5	10.2	260	3.2	81	33



MA12 - GENERAL SPECIFICATIONS



MA12 - ORDERING CODE



Ordering Code :

Example :

First Spool

 -

Second Spool

 MA12 - 2S - R2 - D1 - 1 - L - D2 - 1 - L - 8S - M8

1. BODY KITS :

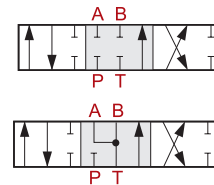
- | | |
|-----------------------|-----------------------|
| 1S - 1 Section | 4S - 4 Section |
| 2S - 2 Section | 5S - 5 Section |
| 3S - 3 Section | 6S - 6 Section |

2. INLET RELIEF:

- R2** - 40 Bar to 180 Bar (580 psi to 2610 psi), Standard Setting 80 Bar (1160 psi)
- R3** - 63 Bar to 200 Bar (914 psi to 2900 psi), Standard Setting 120 Bar (1740 psi)
- R4** - 160 Bar to 315 Bar (2320 psi to 4568 psi), Standard Setting 220 Bar (3190 psi)
- SV** Relief valve blanking plug

3. SPOOL TYPE:

- D1** - 4 Way 3 Position
A, B Closed in Neutral Position
- D2** - 4 Way 3 Position
A, B Open to Tank in neutral Position



4. A SIDE SPOOL POSITION

- 1** - 3 Position Detent
- S** - Spring Center to Neutral
- DS3** - Detent in position 1 with spring centered



5. B SIDE SPOOL POSITION

- L** - Lever Handle
- J** - Joystick lever for 2 section operation

6. THREAD

- 8S** - A & B Ports- 3/4-16 (SAE8)

7. OPTIONS

- M3** - No Power Beyond
- M8** - Power Beyond



MA18 - GENERAL SPECIFICATIONS

MA18 SERIES



Anfield valve model MA18 model is a 18 gpm (70 l/m) monoblock directional valve that is available from single spool through 6 spool configurations. They feature metered spools for smooth shifting and transition, built in adjustable relief valve, hardened steel spools and come standard with SAE 10 & SAE-12 work and inlet/outlet ports. The hand levers are field adjustable for either horizontal or vertical mounting. Field convertible to utilize the power beyond plug. Stock configurations with open center, blocked center for cylinder applications or Pressure blocked, A & B to Tank center position for motor applications.

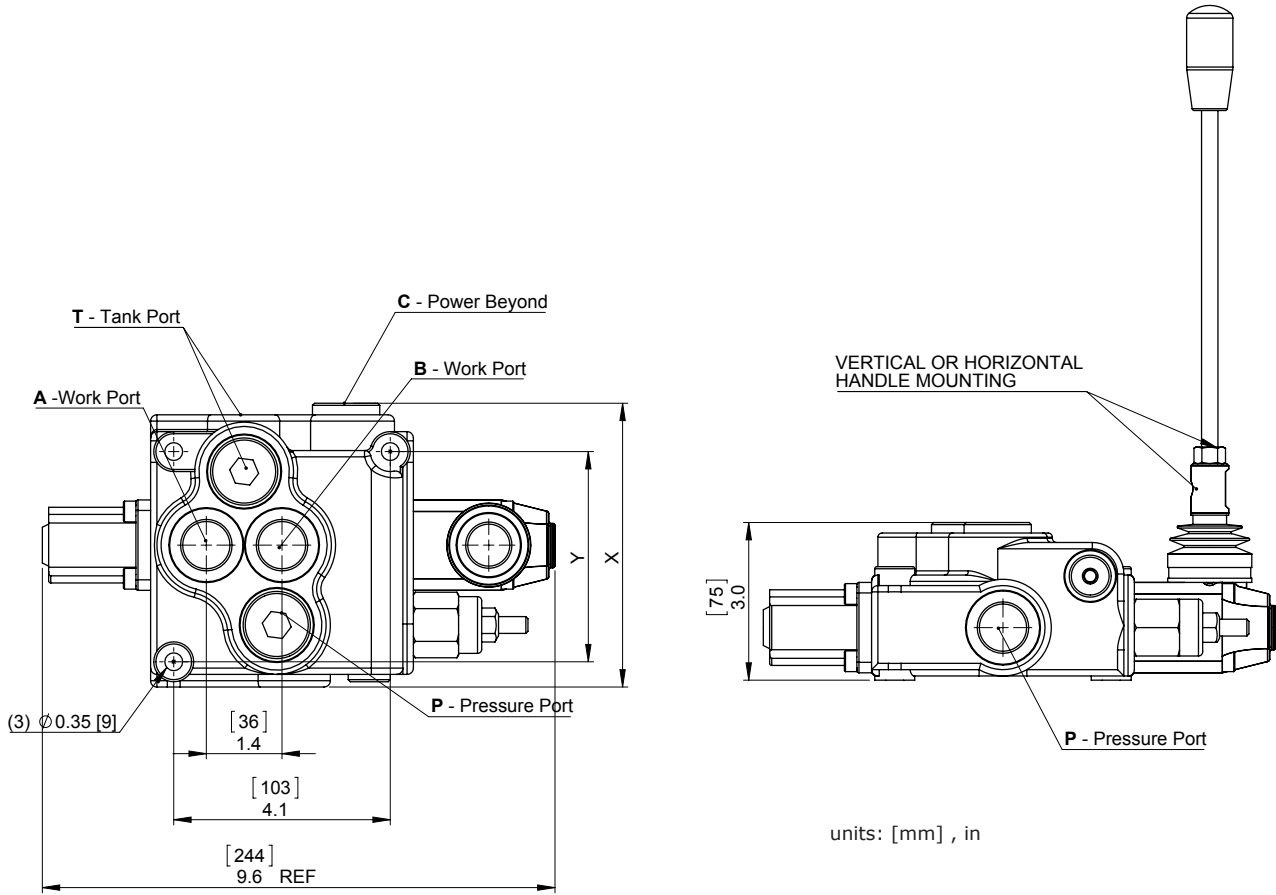
Applications:

- Agricultural
- Construction
- Mining
- Material handling equipment
- Maintenance machinery

TECHNICAL DATA

Nominal Flow Rate	18 GPM	70 L/min
Max Flow Rate	21 GPM	80 L/min
Sections Available	1-6	
Max. Operating Pressure	4500 psi	310 bar
Max Pressure for P port	4500 psi	310 bar
Max Pressure for A & B port	4500 psi	310 bar
Max Pressure for T port	360 psi	25 bar
Recommended Oil Viscosity Range	0.02 to 0.12 in ² /s	15 to 75 mm ² /s
Recommended Temperature Range	-40°F to 140°F	-40°C to 60°C

MA18 - DIMENSIONS

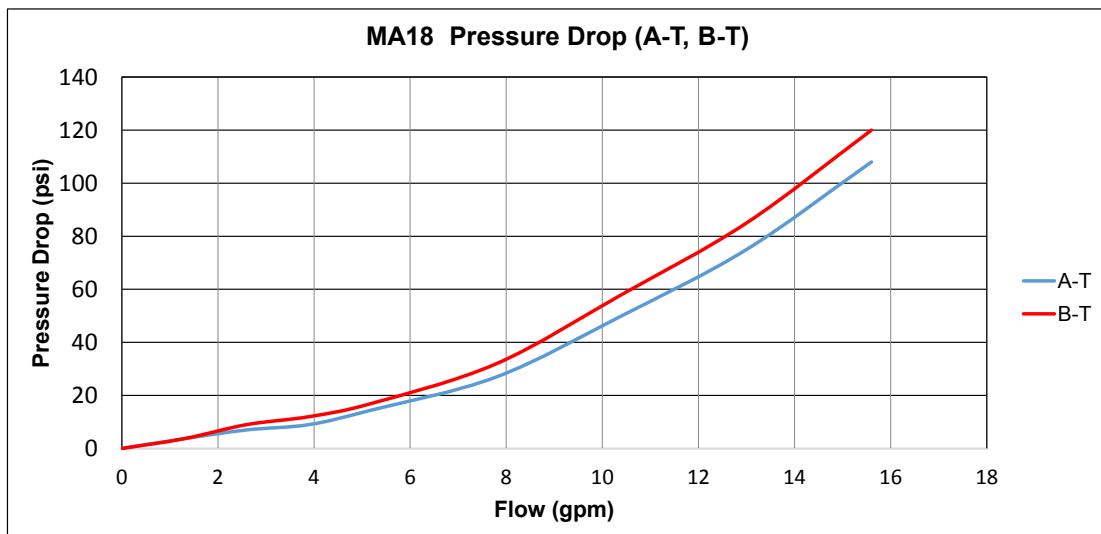
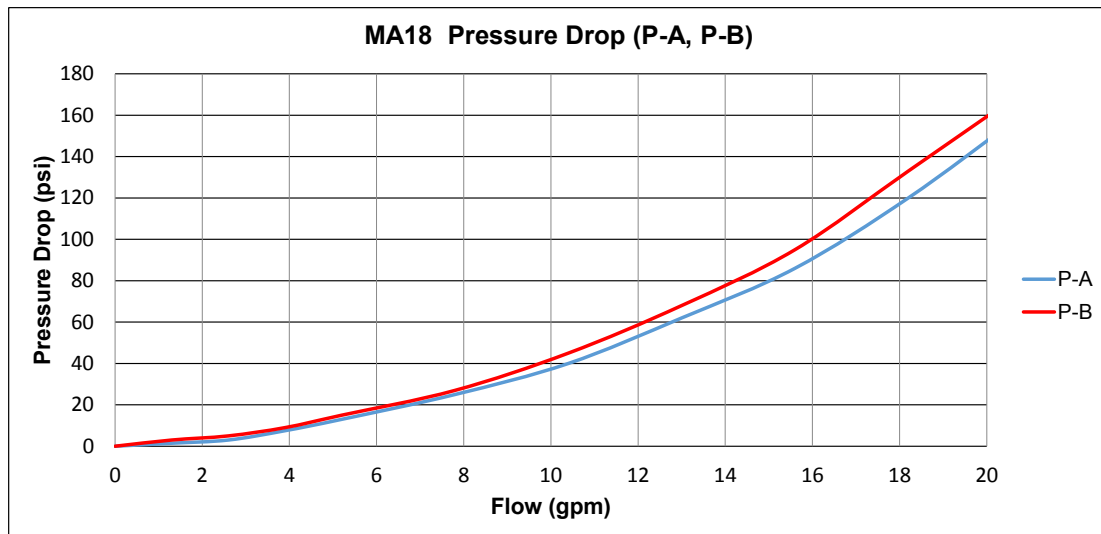
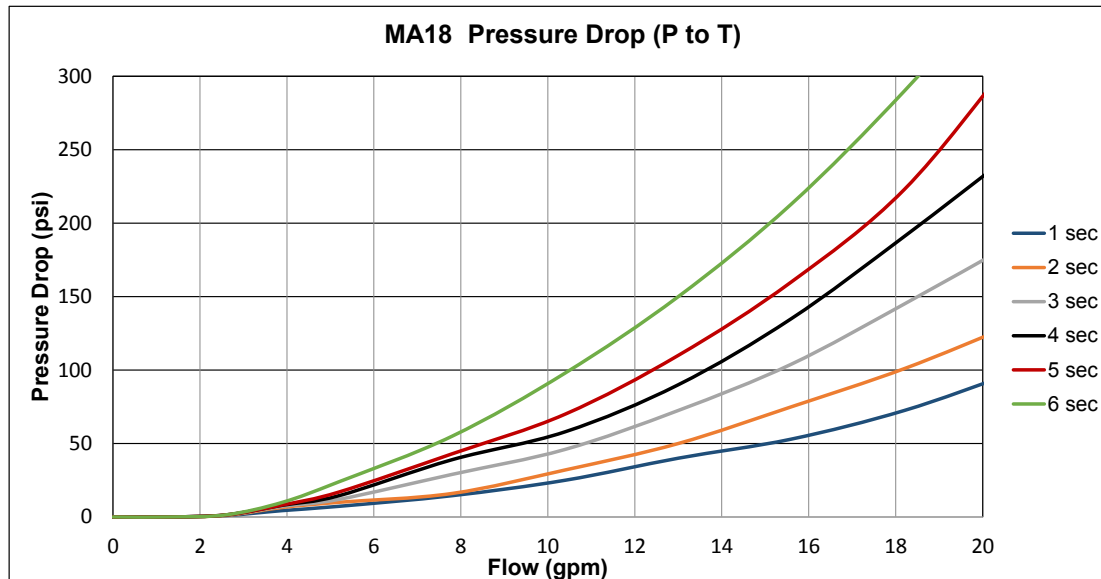


STANDARD THREADS				
Ports	Inlet P	A and B	Outlet T	Outlet C
		1-1/16-12 (SAE 12)	7/8-14 (SAE 10)	1-1/16-12 (SAE 12)

STANDARD DIMENSIONS					
Model	X		Y		LBS
	inch	mm	inch	mm	
MA18 - 1 Spool	5.3	135	3.9	100	17
MA18 - 2 Spool	7.1	180	5.7	145	24
MA18 - 3 Spool	8.9	225	7.5	190	31
MA18 - 4 Spool	10.6	270	9.3	235	39
MA18 - 5 Spool	12.4	315	11	280	53
MA18 - 6 Spool	14.2	360	12.8	325	64



MA18 - GENERAL SPECIFICATIONS



MA18 - ORDERING CODE



Ordering Code :

Example :

First Spool

 -

Second Spool

 - 10S - M3
 MA18 - 2S - R2 - D1 - 1 - L - D2 - 1 - L - 10S - M3

1. BODY KITS :

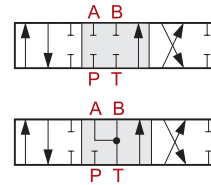
- | | |
|-----------------------|-----------------------|
| 1S - 1 Section | 4S - 4 Section |
| 2S - 2 Section | 5S - 5 Section |
| 3S - 3 Section | 6S - 6 Section |

2. INLET RELIEF:

- R2** - 40 Bar to 180 Bar (580 psi to 2610 psi), Standard Setting 80 Bar (1160 psi)
R3 - 63 Bar to 200 Bar (914 psi to 2900 psi), Standard Setting 120 Bar (1740 psi)
R4 - 160 Bar to 315 Bar (2320 psi to 4568 psi), Standard Setting 220 Bar (3190 psi)
SV Relief valve blanking plug

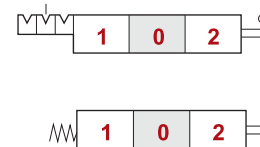
3. SPOOL TYPE:

- D1** - 4 Way 3 Position
 A, B Closed in Neutral Position
- D2** - 4 Way 3 Position
 A, B Open to Tank in neutral Position



4. A SIDE SPOOL POSITION

- 1** - 3 Position Detent
- S** - Spring Center to Neutral



5. B SIDE SPOOL POSITION

- L** - Lever Handle

6. THREAD

- 10S** - A & B Ports- 7/8-14 (SAE 10)

7. OPTIONS

- M3** - No Power Beyond
- M8** - Power Beyond



MAC21- GENERAL SPECIFICATIONS

MAC21 SERIES



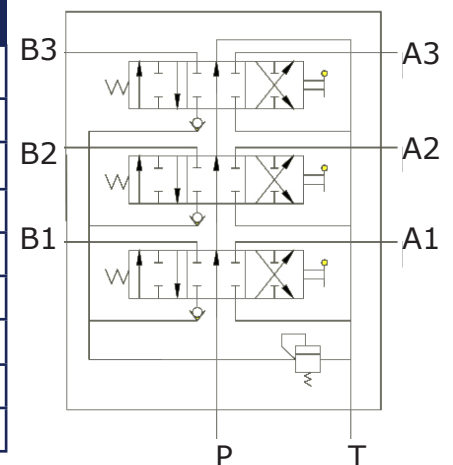
Anfield valve model MAC21 model is a 21 gpm (80 l/m) monoblock directional valve that is available from single spool through 6 spool configurations. They feature metered spools for smooth shifting and transition, built in adjustable relief valve, hardened steel spools and come standard with SAE 8 work and inlet/outlet ports. The hand levers are field adjustable for either horizontal or vertical mounting. Field convertible to utilize the included power beyond plug. Stock configurations with open center, blocked center for cylinder applications or Pressure blocked, A & B to Tank center position for motor applications.

Applications:

- Agricultural
- Construction
- Mining
- Material handling equipment
- Maintenance machinery

TECHNICAL DATA

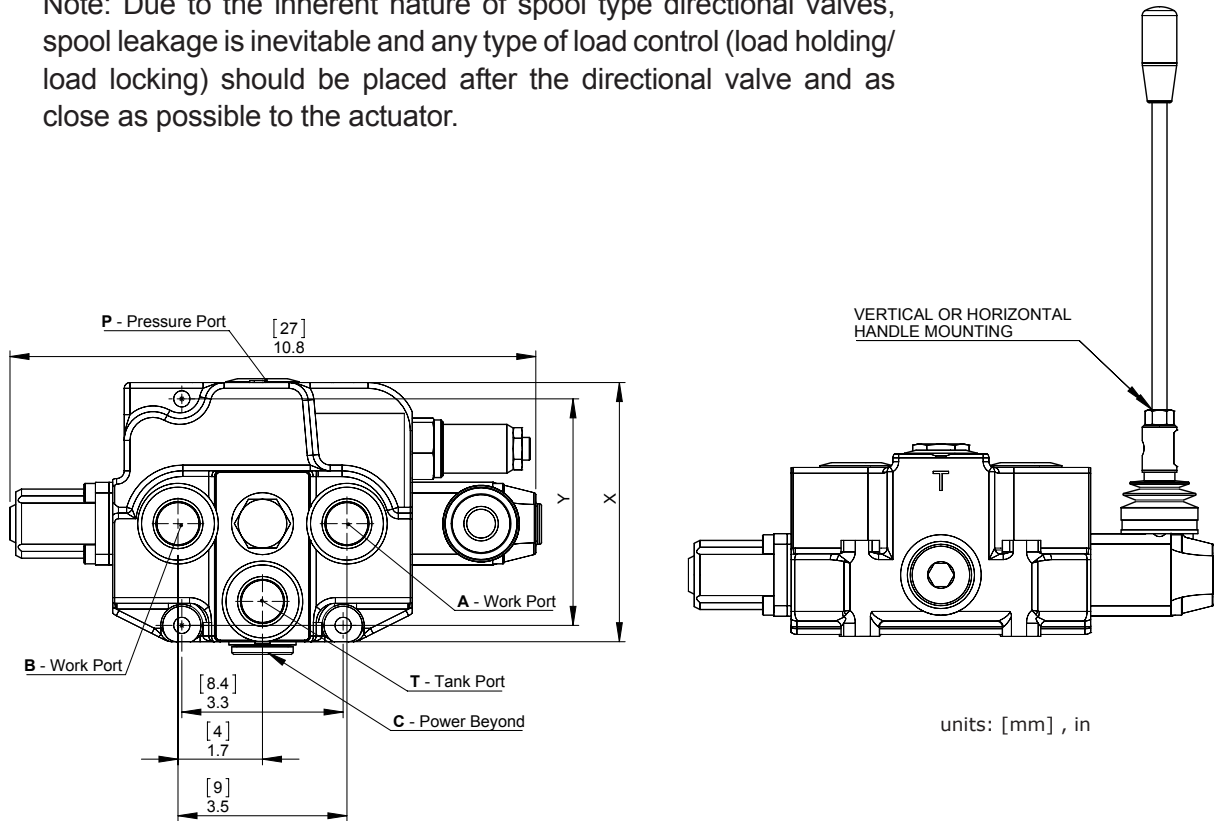
Nominal Flow Rate	21 GPM	80 L/min
Max Flow Rate	26 GPM	100 L/min
Sections Available	1-6	
Max. Operating Pressure	4500 psi	310 bar
Max Pressure for P port	4500 psi	310 bar
Max Pressure for A & B port	4500 psi	310 bar
Max Pressure for T port	360 psi	25 bar
Oil Viscosity Range	0.02 to 0.12 in ² /s	15 to 75 mm ² /s
Temperature Range	-40°F to 140°F	-40°C to 60°C



MAC21 - DIMENSIONS



Note: Due to the inherent nature of spool type directional valves, spool leakage is inevitable and any type of load control (load holding/ load locking) should be placed after the directional valve and as close as possible to the actuator.



STANDARD THREADS

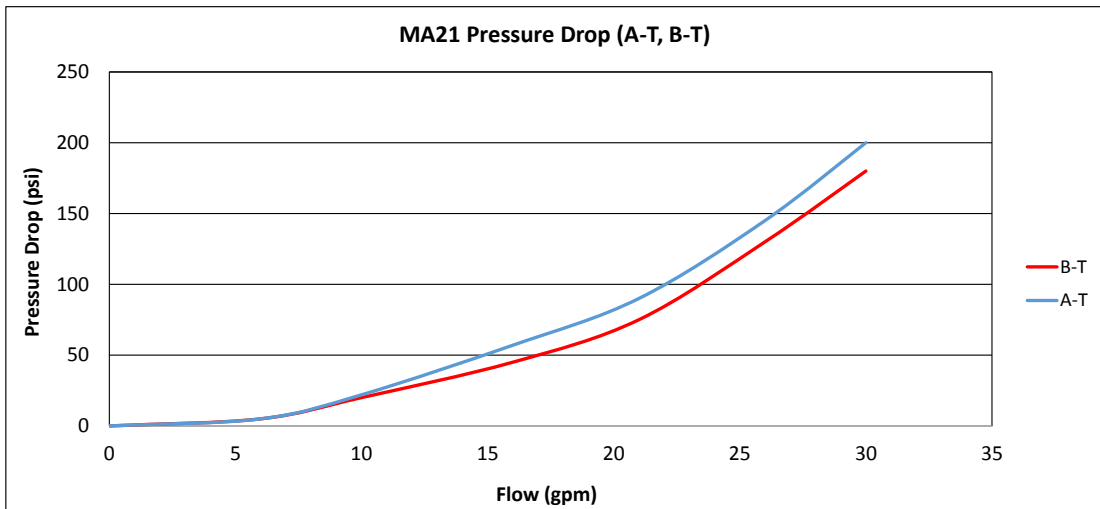
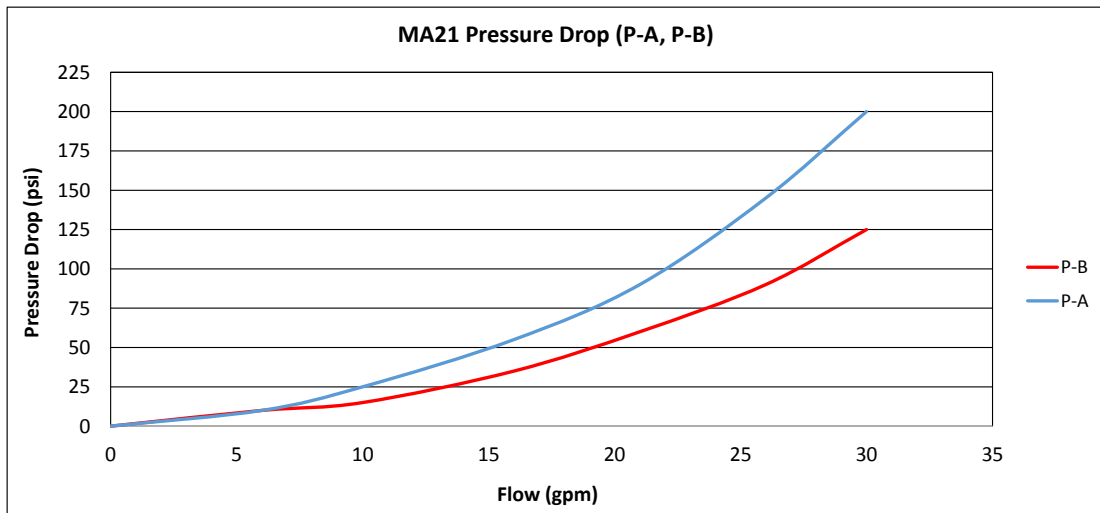
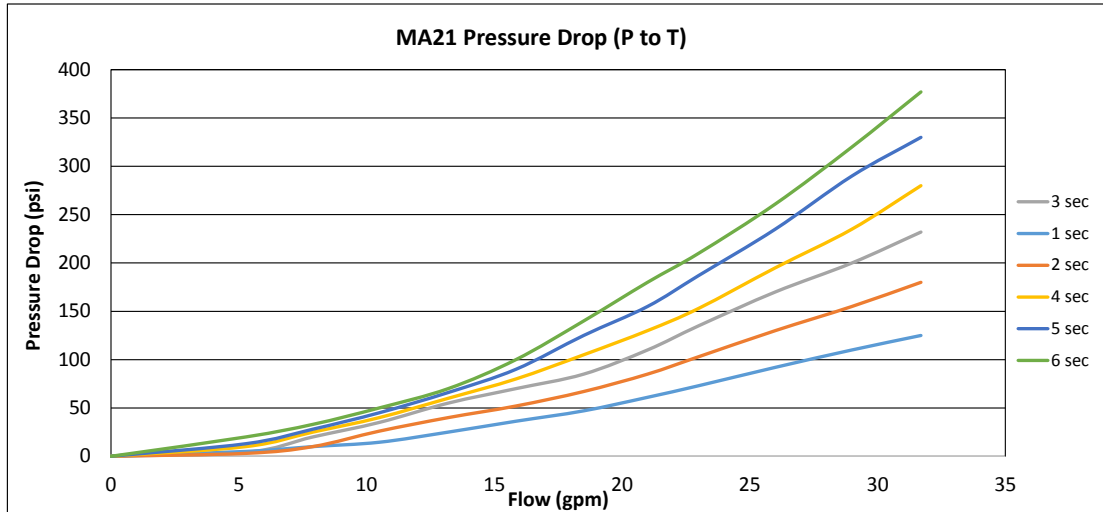
Ports	Inlet P	A and B	Outlet T and C
	1-1/16-12 (SAE 12)	1-1/16-12 (SAE 12)	1-1/16-12 (SAE 12)

STANDARD DIMENSIONS

Model	X		Y		LBS
	inch	mm	inch	mm	
MAC21 - 1 Spool	5.3	135	4.6	118	28
MAC21 - 2 Spool	7.1	180	6.4	163	37
MAC21 - 3 Spool	8.9	225	8.2	208	47
MAC21 - 4 Spool	10.3	261.5	10.0	253	64
MAC21 - 5 Spool	12.4	315	11.7	298	74
MAC21 - 6 Spool	14.2	360	13.5	343	85



MAC21 - GENERAL SPECIFICATIONS





Ordering Code :

Example :

First Spool

 -

Second Spool

 MAC21 - 2S - R2 - D1 - 1 - L - D2 - 1 - L - 12S - M3

1. BODY KITS :

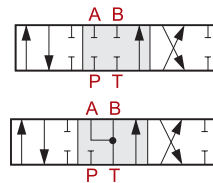
- | | |
|-----------------------|-----------------------|
| 1S - 1 Section | 4S - 4 Section |
| 2S - 2 Section | 5S - 5 Section |
| 3S - 3 Section | 6S - 6 Section |

2. INLET RELIEF:

- R2** - 40 Bar to 180 Bar (580 psi to 2610 psi), Standard Setting 80 Bar (1160 psi)
- R3** - 63 Bar to 200 Bar (914 psi to 2900 psi), Standard Setting 120 Bar (1740 psi)
- R4** - 160 Bar to 315 Bar (2320 psi to 4568 psi), Standard Setting 220 Bar (3190 psi)
- SV** Relief valve blanking plug

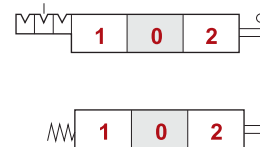
3. SPOOL TYPE:

- D1** - 4 Way 3 Position
A, B Closed in Neutral Position
- D2** - 4 Way 3 Position
A, B Open to Tank in neutral Position



4. B SIDE SPOOL POSITION

- 1** - 3 Position Detent
- S** - Spring Center to Neutral



5. A SIDE SPOOL POSITION

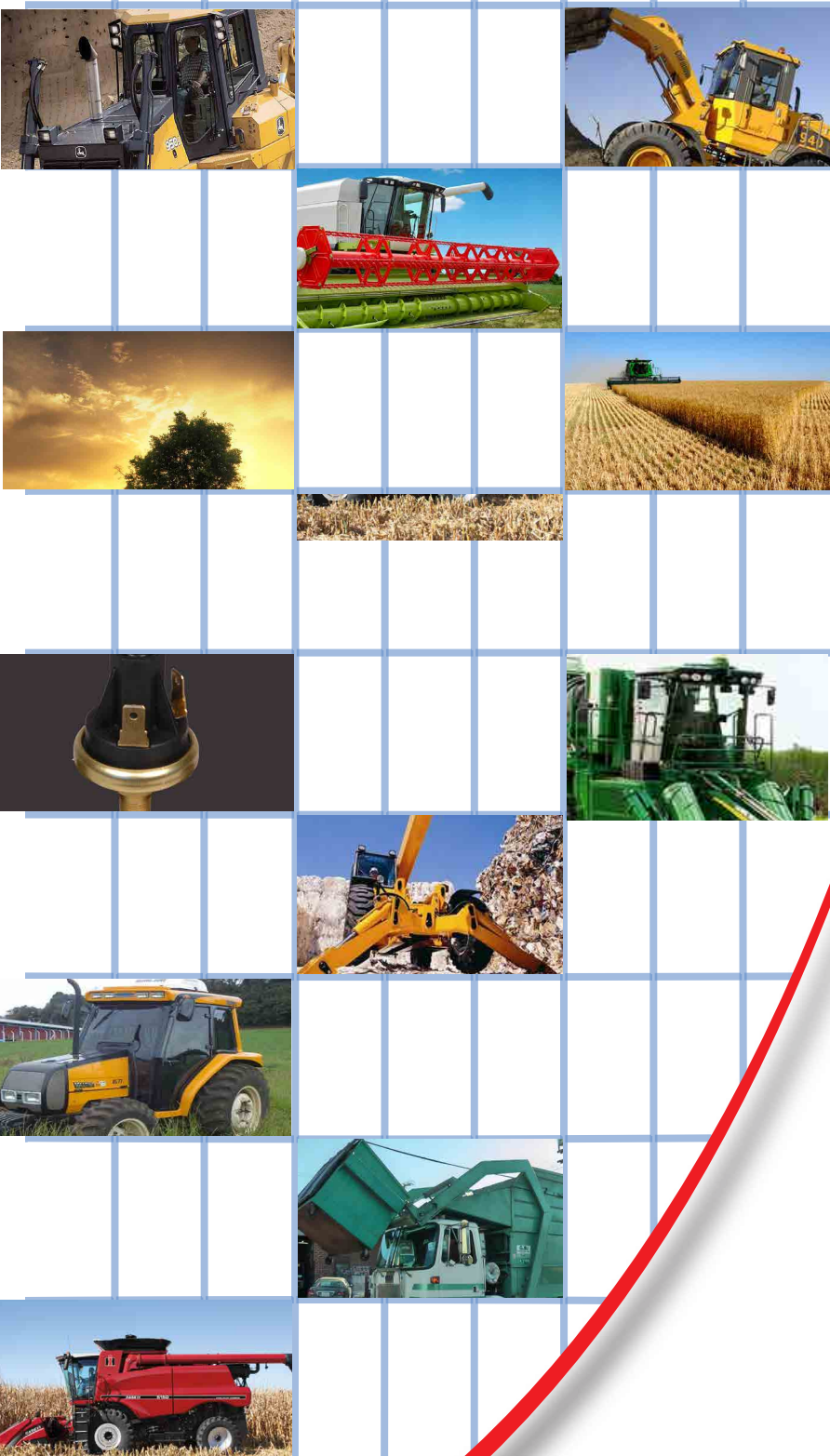
- L** - Lever Handle

6. THREAD

- 12S** - A & B Ports - 1-1/16-12 (SAE 12)

7. OPTIONS

- M3** - No Power Beyond
- M8** - Power Beyond



Canada

MP Filtri Canada

8831 Keele Street,
Concord, Ontario, Canada, L4K 2N1
Phone : (905) 303-1369
Fax : (905) 303-7256
Email : sales@mpfiltricanada..com

USA

Anfield Industries Inc.

375 International Park, Suite 300
Newnan, GA, 30265
Phone : (404) 530-3804
Fax : (404) 530-3805
Email : info@anfieldind.com

Released: June 2020