

VIBRATION **SOLUTIONS**

VIBCO[®]
VIBRATORS

SOLVING MATERIAL FLOW & COMPACTION SINCE 1962

VIBCO

A HISTORY OF EXCELLENCE SINCE 1962

This is VIBCO

We believe you deserve a quality engineered, quality built and long running vibration product. Our qualified engineers, with over 50 years of experience in the vibrator field, design our vibrators utilizing the latest developments in vibration engineering. VIBCO's highly trained craftsmen and women then put these developments into the most reliable and long lasting vibration equipment available today. We are *The Vibration Nation!*



Our Mission

"Same Day - Next Day" is our True North which incorporates our goal of 100% Employee Engagement, Innovation, Throughput, and Quality.

VIBCO strives to be first in the development of new products using new techniques and materials and first in following OSHA Guidelines and Ecology Programs. We carry the most complete and reliable line of vibration products available in the market today!

Bolt Patterns fit Competitive Units

VIBCO's versatile bolt hole patterns are completely compatible with other brands. Simply call to purchase a superior VIBCO vibrator and let us know what bolt pattern you need to match.

We will get you the proper unit for your application - and will even match metric thread configurations.

Our FREE 10 DAY TRIAL



Since 1962 over 1 million customers have successfully participated in our free trial program and proven to themselves that VIBCO products are a great choice for vibration equipment.

Call VIBCO and we will help you get your vibrator properly mounted for exceptional long service life and terrific transfer of the vibration force. Our vibration equipment will solve your material vibration problems at **NO RISK TO YOU!**

ASK FOR ANY ONE OF OUR STANDARD UNITS FOR A 10 DAY FREE TRIAL! Your only obligation under this free trial is to absorb the freight charges. To get your Free Trial Unit, speak to our engineers **call 1-800-633-0032** and send us your purchase order marked: **"For Free Trial"** and **MAKE IT RIGHT!**

MADE IN USA 
At 75 Stilson Road, Wyoming, Rhode Island



Over 30 US Patents

Most of VIBCO's products are manufactured under one or more of the following U.S. Patents:

3,790,137	3,638,914	3,672,639	3,938,905
3,945,246	3,870,282	3,932,057	4,389,120
4,407,403	4,042,102	4,280,616	4,472,980
4,583,414	4,424,718	4,425,813	5,143,256
5,439,314	4,653,927	4,590,814	6,058,588
6,349,817	5,672,027	5,580,234	7,195,217
7,458,547	6,837,648	6,857,773	9,234,316
	7,900,884	7,955,050	

Applications for these patents have also been made in most other countries



CONTENTS

USE THE CONVENIENT TABS AT THE PAGE EDGE TO QUICKLY LOCATE PRODUCT TYPE

■ PNEUMATIC VIBRATORS	
Turbine	Series VS, BVS, CC, MLT, MHI, STV, MLTSS, MHISS, BBS, GIO, FBS 6-21
Ball	Series BB, BV, V 22-23
Piston	Model 50, 55, LI, MP, 10, 30, 40, 70, 80 24-29
High Frequency	Series SVR, SVRS, SVRX 30-33
■ HYDRAULIC VIBRATORS	
Pneumatic / Hydraulic	Series PF, HF, PC, HC, HLF, HL, B 34-35
■ ELECTRIC VIBRATORS	
Adjustable Speed/Force	Series SCR-50 through SCR-1000 38-39
Small Impact	Series SPR, SPRT, SPWT 40-41
Heavy Duty	Series 2P, 4P, 6P, 8P 42-45
Adjustable Speed/Force	Series US, DC 46-47
Dump Truck	Big Bertha, XL Bertha, Hydra Bertha, Air Bertha 48-50
Heavy Duty	Series SFC 51
■ ELECTRIC HARSH ENVIRONMENT	
Explosion Proof	Series PX 52
Corrosive Environment	Series CE 53
■ LUG TYPE VIBRATORS	
Pneumatic/Electric	For use with Lug Brackets..... 56-57
■ RAILROAD CAR SHAKERS	
Carshaker Models	Pneumatic, Hydraulic, and Electric Options with and without brackets 58-59
RB-6500	Latest in Carshaker Technology 60
Rail Buggy	For easier placement of Vibrators into railcar pockets..... 60
■ MOUNTING BRACKETS	
Pipe Brackets, Control Boxes	Timers & Controls, Engineered systems for improved vibration transfer 61
Standard Mounting Brackets	Engineered bracket & mounting systems to improve vibration transfer 62-63
■ STIK-IT™ VIBRATOR MOUNTS	
Traila™	Vibrator Kit..... 64
Stik-It™	Vacuum Mount 65
■ AIR CANNONS	
External Valve	ABS-1-5, ABS-1-1/2, ABS-2, ABS 2-2, ABS-4-2, ABS-4-4, ABS-4-5, ABS4-10 66-67
■ VIBRATION TABLES	
	Test Tables, Grid Top Tables, Compaction, and Platform Tables 68-69
■ CONSTRUCTION DIVISION	
Compactors	Model VR, TP, GR-3200, GR-1600 70-71
Internal Concrete	Models JV, AC, KA 70-71
■ APPLICATION DATA	
	Proper Mounting, Vibrator Selection 72-77
	Other Brochures for the Industrial and Construction Markets 78
	Custom Applications 79

PNEUMATIC
ELECTRIC
LUG TYPE
RAIL CAR
MOUNTING
AIR CANNON
TABLES
CONSTRUCTION
DATA

Intelligent Solutions with Round-the-Clock Technical Assistance



VAN VISIT



VIRTUAL VAN VISIT™

100% FREE of charge

What is a VIBCO Virtual Van Visit™?

A VIBCO Virtual Van Visit™ (VVV) is how our experienced technical team gets a first-hand look at your vibrator application when our actual vans can't physically be there. All you need to do is send a photo of the area.

We will provide you with a report including step-by-step instructions making the installation process quick and easy. These reports include the original photo marked up with instructions for the proper mounting, vibrator model, and installation location.

Why is a photo so important?

We can see exactly what your situation is so we can help you. Our technical team has decades of vibrator installation, selection, and sizing experience. When you send us a picture, you get the maximum benefit of all that experience because it's like our engineers are right there on-site with you.

Pictures allow us to get a feel for the production area, including size limitations, equipment set up, obstructions, and other factors so that we can get you the best

possible information. Drawings are okay, but as the saying goes "one picture says a thousand words".

What format is best?

Send photo(s) to info@vibco.com. Any standard photo format is acceptable (i.e .jpg, .png, .tif, .pdf, .ai, and even camera raw or Photoshop files).

How long will it take?

You should receive an initial report within a few hours of submitting your photos.

Why can't someone physically come see me?

VIBCO's fleet can't be everywhere. Our goal is to respond with the information you need as quickly and efficiently as possible. No waiting or scheduling, just the answers you need when you need them.

What are the benefits of experiencing VIBCO's VVV?

You get a personalized solution for YOUR specific needs which will help save

you time and money. Get started today!
Send your pictures to info@vibco.com

PROPER MOUNT FOR 2P-800-1

1. Stitch welds
2. Start & stop welds 1" in from each end
3. Mount on side shown for best vibration transfer
4. Vibrator mounted in proper direction
5. Proper plate & channel combo

OUR CUSTOMER 1/08/19

PROPER MOUNT FOR BIG BERTHA™

1. Stitch welds
2. Not welded at the ends to prevent cracking
3. Mount Big Bertha 1/4 of the way down the dump body
4. Vibrator mounted in proper direction
5. Proper plate & channel combo

OUR CUSTOMER 09/25/18

VIBCO VIRTUAL VAN VISIT™
800.633.0032 • www.vibco.com

©2019 VIBCO, Inc. Duplication is prohibited without consent of VIBCO, Inc.

LEAN TOURS One Click, One Breath, One Motion, One Second, One Team

Since 2012, we have hosted over 9,000 people on tours to introduce, teach, learn, and encourage successful lean processes for positive change to businesses.

WHAT IS OUR PURPOSE? VIBCO employees are engaged in every step of our manufacturing process. Each day begins with **"Morning Stretch"** meetings. We do some gentle stretching to get ourselves ready for the day. These meetings also function to maintain continuity, set goals and reinforce the

"good to great" philosophy. Employees are encouraged to **"Shake the Waste"** by sharing daily improvements. We set aside time for **"Gratefulness"** when we share how fellow employees helped single individuals or helped VIBCO as a whole.

We are a strengths-based organization, maximizing employees characteristics. All employee's complete an assessment using **Clifton's Strengths Finder** to incorporate and balance individuals' unique strengths throughout the office and manufacturing floor.

"FIX WHAT BUGS YOU" At VIBCO, our culture for continuous improvement is as natural as breathing. Engraved intuitively every minute of every workday, we distance ourselves from competition by providing the most diverse and innovative product line.



VIBCO's CEO, Karl Wadensten, introduces a tour group to our Lean, Strengths-based Manufacturing before the tour begins



Machinist, Dave Bragonier, shows a tour participant how to run one of our state-of-the-art Okuma's.

THE VIBRATION NATION We are the Vibration Nation™ living by our **"True North: Innovation, Throughput, Quality, Same-Day: Next-Day"** philosophy.

SET UP A LEAN TOUR TODAY!

1-401-539-2392 tours@vibco.com

THE VIBCO GUARANTEE

WE GUARANTEE OUR VIBRATORS TO PERFORM per specifications or they can be returned for full credit or exchanged.

PLEASE NOTE: For Vibrators to function as noted in this catalog, they need to be mounted properly. Add a **VIBCO Mounting System** to your purchase for better effectiveness. It will take the guesswork out of applying vibrators properly while saving you time and money.

Please contact a VIBCO sales and engineering representative with your specifications to receive accurate product selection and mounting instructions. (sales@vibco.com)

VIBCO commissioned a study* to determine how we can create more sustainable manufacturing processes. One key finding was that, by eliminating paint, we could reduce our environmental impact and reduce handling while actually improving the durability and sustainability of our vibrators. We are pleased to offer a non-corrosive cast finish as well as our water-based Eco-friendly painted finishes, stainless steel in two grades, aluminum and plastic housings on many of our units. **We are dedicated to environmental improvements** that foster a sustainable future and lead to social and economical improvements in the community we do business.

*Cost and Environmental Impacts in Manufacturing: A Case Study Approach. Nörmann, N. August 2015



VIBCO holds the patent for the **Original Silent Turbine Vibrator**. This logo, next to the Technical Data Chart assures you that you are dealing with the original innovator!



CATALOG CHANGES:

Due to continuous improvement in design and performance VIBCO dimensions and data are subject to change without notice.

APPLICATIONS:

Every vibrator application is different. The solutions presented in this catalog should not be considered as instructions or recommendations. Please contact VIBCO for assistance selecting a vibrator for your specific application.

ENGINEERING:

We are happy to provide a certified dimensional drawing. Please contact a VIBCO sales engineer for the most current product information.

PNEUMATIC VIBRATORS ON THE JOB APPLICATIONS



Above: Each time the hopper needs to empty, the VIBCO **VS-320** Pneumatic Turbine vibrator (as seen on page 10) is activated to ensure a complete clearing of the hopper. Its walls will stay totally clean and the correct amount of material will be consistently dispensed.



Above: Mounting this **50-2** unit (as seen on page 24) on a hopper will help to dispense a better quality product with accurately measured material for more consistent batches. It will also lead to a more efficient and standardized process with predictable scale weights. No more labor time wasted banging on the hopper walls to release stuck material.



Above: The patented **SVR** design (page 30-31) shown in the dust collectors of this power plant, have a dB reading of 95-110. They are also available in a silent version which brings the dB down to 80-85.



Above: A **PC-3500 Big Buster** (see page 34-35 and 58-59) shakes a railroad hopper car with its high force and low frequency. It easily clamps to the railcar and can be moved from place to place.

PNEUMATIC VIBRATOR SECTION

TURBINE VIBRATORSpages 8-21



- ▶ **BVS Series** Ideal for food & pharma, uses non-lubricated air supply
New BVS-190PLAS and BVS-160PLAS
- ▶ **VS Series** Ideal for material conveying, continuous duty, 900 lbs. of force
- ▶ **CC Series** Ideal for precast with high force & no lubrication needed.
- ▶ **MLT/MHI Series** Aluminum body ideal for clean areas - high speed sealed bearings
- ▶ **STV Series** Sanitary, totally enclosed and washdown safe for Food and Pharma
- ▶ **MLTSS Series** Stainless steel body handles sanitary and harsh chemical environments
- ▶ **BBS Series** Smallest turbine vibrator in aluminum housing with versatile mount
- ▶ **GIO Series** Glass filled nylon housing has excellent resistance to solvents.
- ▶ **FBS Series** Designed for intermittent duty for match plate with versatile mount

BALL VIBRATORSpages 22-23



- ▶ **BB Series** Threaded exhaust to pipe away oily exhaust air, small to medium vibration
- ▶ **BV Series** Continuous operation, withstands high temperature
- ▶ **V Series** (Shown left) producing up to 600 lbs. at 10,000 VPM, can be used in high temperatures

PISTON VIBRATORS.....pages 24-29



- ▶ **Model 50** (Shown in photo) High impact, linear force in a steel body, long life
- ▶ **Model 55** Cast iron, sturdy housing ideal for bins, chutes, weigh batchers, more
- ▶ **Model LI** Adjustable impacts on this high energy impactor for bins, chutes, more
- ▶ **Model MP** Mini piston with high force to weight, for small hoppers, bins, feeders
- ▶ **Model 10, 30, 40, 70, 80** End mounted pistons a variety of options for many applications

HIGH FREQUENCY VIBRATORSpages 30-33



- ▶ **SVR Series** (Shown in photo w/o lug bracket) Conventional model, high frequency
- ▶ **SVRL Series** Uses lug bracket for easy portability - high force, high frequency
- ▶ **SVRS Series** Patented silent model with a dB reading of 80 to 85
- ▶ **SVRX Series** Fits every concrete form system on the market today

PNEUMATIC & HYDRAULIC VIBRATORSpages 34-35



- ▶ **PF Series** Big Buster pneumatic - precise speed control allows "tuning" of vibrator
- ▶ **HF Series** Big Buster hydraulic - ideal for tough jobs like railroad cars and bins
- ▶ **PC Series** Big Buster pneumatic built in clamp
- ▶ **HC Series** Big Buster hydraulic built in clamp
- ▶ **HLF Series** (Shown in photo) Small version of Big Buster
- ▶ **HL Series** Small version of Big Buster for lug bracket
- ▶ **B Series** Hydraulic version ideal for O.E.M. equipment

HEAVY DUTY TURBINE "SILENT" PNEUMATIC VIBRATORS



- Heavy Duty Series, High Force Output
- Threaded Exhaust Port
- Large Bearings for Long Service Life
- Outlasts Piston Vibrators 3 to 1
- Quiet, Meets OSHA Standards
- No Lubrication Required
- Call for High Speed / High Temp / High Amplitude

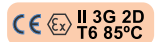
SERIES BVS - VIBCO offers 9 models in the extra heavy duty BVS series. The use of *non-lubricated* air supply makes the BVS turbine vibrators perfect for applications in food and pharmaceutical (etc.) industries where oil exhaust would be objectionable. Exhaust port is threaded for piping off of air exhaust in closed, sanitized systems. Extra large amplitudes and a wide range of sizes makes the BVS's ideal for quickly moving parts or materials. Casting for the BVS-60 or BVS-130 can be ordered in Aluminum or Malleable Iron. **Ask for Catalog #9127**



With its high force output, a BVS unit can easily move tough industrial materials in sturdy hoppers like the BVS 160 shown above. The air fitting on top helps with the flow.



Technical Data

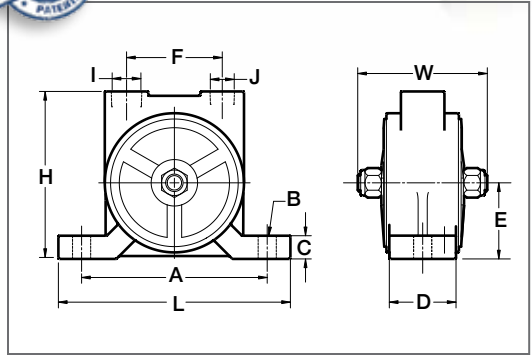


Model	Weight		60 PSI (4 Bar)				80 PSI (5.5 Bar)				Sound*	Max. Weight** of Material in Bin Slope Area	
	lbs.	kg.	Vibration per min.	Cubic ft. per min.	Centrifugal Force		Vibration per min.	Cubic ft. per min.	Centrifugal Force			lbs.	kg.
BVS-60	0.4	0.2	10,000	2.5	20	90	—	—	—	—	66	200	90
BVS-130	0.6	0.3	7,500	2.5	45	195	10,500	5.5	75	335	67	750	340
BVS-160	3.0	1.4	9,500	4.0	120	530	12,000	7.0	160	710	70	1,600	725
BVS-190	3.5	1.6	7,000	6.0	160	710	12,000	7.5	270	1,200	71	2,700	1,230
BVS-250	5.3	2.4	7,000	6.0	250	1,110	12,000	7.5	480	2,135	72	4,800	2,180
BVS-320	8.0	3.6	5,000	12.0	395	1,750	6,000	15.5	600	2,670	70	6,000	2,730
BVS-380	13.1	6.0	4,200	13.0	545	2,415	5,600	16.5	670	2,980	74	6,700	3,845
BVS-510	16.0	7.3	5,200	16.0	710	3,165	6,600	20.5	900	4,005	77	9,000	4,080
BVS-570	23.0	10.4	2,800	23.5	850	3,790	4,000	29.5	1,050	4,670	83	10,500	4,775
BVST-4400	22.0	10.0	11,000	28.0	2,700	12,010	12,500	30.0	3,500	15570	92	35,000	15,875

* Decibel from A-scale at 1 meter and 80 PSI (or maximum listed value)
 ** Rule of thumb for sizing: One lb. vibrator force to each 10 lbs. of bin content at 80 PSI (or maximum listed value)

NOTE: • Data obtained on laboratory test block
 • Frequency and force will decrease on less rigid mount
 • Data subject to design changes

VIBCO BVS SERIES THREADED EXHAUST PORT



Right: VIBCO's standard finish is shown but the BVS is also available in a variety of food-grade and sanitary finishes like bakers enamel and poly (stainless steel and aluminum models are available) and plastic.

Dimensions

Model	L		W		H		A**		B*		C		D		E		F		I	J
	in.	mm	in.	mm	in.	mm	in.	mm	in.	mm	in.	mm	in.	mm	in.	mm	in.	mm	NPT	NPT
BVS-60	3-13/16	97	1-5/8	41	2-7/16	62	3	76	1/4	6	5/8	16	3/4	19	1-3/16	30	1-1/4	32	1/8	1/8
BVS-130	4-7/8	124	1-7/8	48	2-5/8	67	4	102	3/8	10	5/8	16	7/8	22	1-1/4	32	1-7/16	37	1/8	1/4
BVS-160	5-1/2	140	2-7/8	73	3-5/8	93	4	102	3/8	10	9/16	14	1-3/8	35	1-11/16	43	1-7/8	48	1/4	3/8
BVS-190	5-1/4	133	3-1/16	81	3-7/16	87	4	102	3/8	10	7/8	22	1-5/16	33	1-9/16	40	1-7/8	48	1/4	3/8
BVS-250	6-3/4	171	3-9/16	90	3-15/16	100	5	127	1/2	13	7/8	22	1-3/8	35	1-7/8	48	2-5/16	59	1/4	3/8
BVS-320	6-3/4	171	4	102	4-7/8	124	5	127	1/2	13	1-1/8	29	1-5/8	41	2-1/4	57	2-3/4	70	3/8	1/2
BVS-380	7-15/16	202	4-3/4	121	5-13/16	148	6	152	5/8	16	1-1/8	29	2	51	2-11/16	68	3	76	3/8	1/2
BVS-510	8-15/16	227	4-3/4	121	5-3/4	146	7	178	5/8	16	1-1/4	32	2-1/4	57	2-9/16	65	3-7/16	87	1/2	3/4
BVS-570	10-3/16	259	5-7/16	138	7-1/4	184	8	203	3/4	19	1	25	2-15/16	75	3-5/16	84	4-3/16	106	3/4	1
BVST-4400	10-3/16	259	5-7/16	138	7-1/4	184	8	203	3/4	19	1	25	2-15/16	75	3-5/16	84	4-3/16	106	3/4	1

* Max. mounting bolt diameter
 ** Alternate bolt patterns available. Consult factory.

NOTE: • Material, Dimensions & Data subject to change without notice
 • Dimensions ±1/16"
 • Engineered dimensional drawings available on request

HEAVY DUTY TURBINE "SILENT" PNEUMATIC VIBRATORS



- Popular, Economical, Heavy Duty
- Large Bearings for Long Service Life
- Quiet Operation with Built-In Muffler
- Adjustable Speed
- Ideal for Dusty, Rough Environments
- No Lubrication Required

SERIES VS - VIBCO's Model VS Turbine Vibrator is ideal for material conveying systems. It's a popular model for medium size batch hoppers and screeds and is made for continuous duty. With its sturdy cast housing, it can be used for rough applications like concrete form vibration. With eight sizes available and over 900 pounds of force possible, VIBCO can find just the right size to solve your material handling requirements.

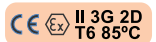
The powerful VS Model is manufactured with a variety of finishes which also make it ideal in food grade and sanitary use. It packs just the right punch to keep your bulk material moving and requires no lubrication.



Material conveying systems work more efficiently with our Model VS Turbine mounted to structural members. Use one of VIBCO's complete mounting systems to get full efficiency and longer life from your vibrator.



Technical Data



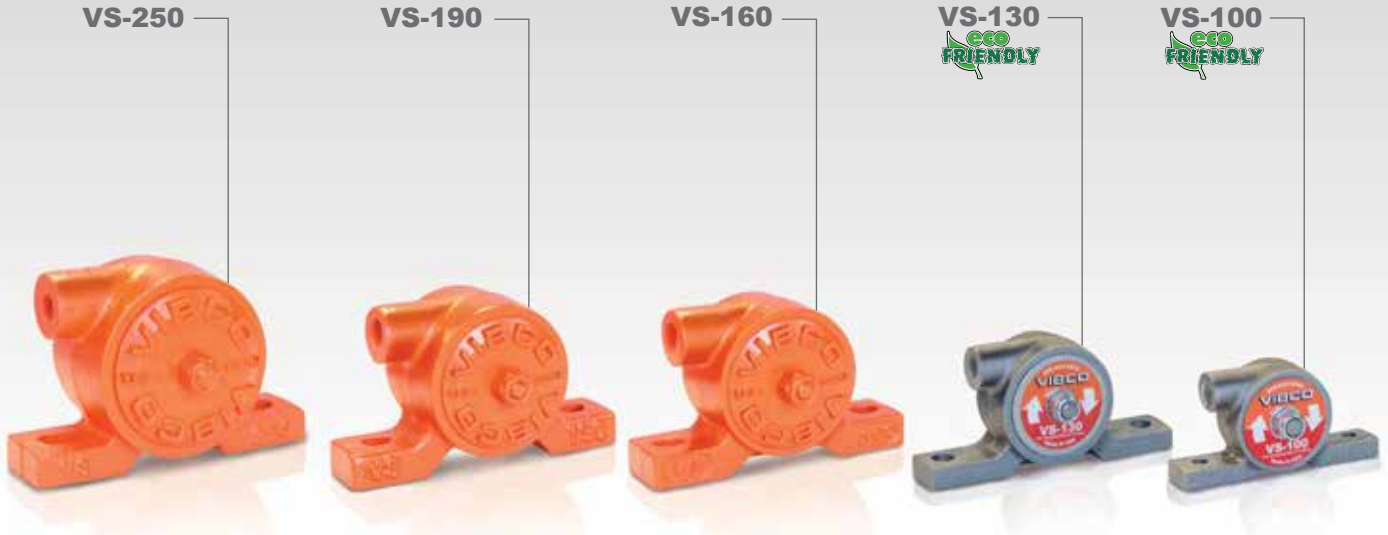
Model	Weight		60 PSI (4 Bar)				80 PSI (5.5 Bar)				Sound*	Max. Weight** of Material in Bin Slope Area	
			Vibration per min.	Cubic ft. per min.	Centrifugal Force		Vibration per min.	Cubic ft. per min.	Centrifugal Force				
	lbs.	kg.	VPM	CFM air	lbs.	Newtons	VPM	CFM air	lbs.	Newtons	dB	lbs.	kg.
VS-100	0.4	0.2	12,000	2.5	20	90	—	—	—	—	66	200	90
VS-130	0.6	0.3	9,000	2.5	45	195	10,500	5.5	75	335	67	750	340
VS-160	2.8	1.3	10,500	4.0	110	495	12,000	7.0	160	710	70	1,600	725
VS-190	3.1	1.4	6,500	6.0	90	410	12,000	7.5	270	1,200	70	2,700	1,225
VS-250	4.5	2.1	7,000	6.0	290	1,300	12,000	7.5	500	2,245	70	5,000	2,270
VS-320	6.5	2.9	5,000	12.0	350	1,560	6,000	15.5	600	2,670	69	6,000	2,720
VS-380	11.0	5.2	4,200	13.0	570	2,520	5,600	16.5	725	3,225	72	7,250	3,290
VS-510	15.0	6.8	6,000	16.0	710	3,165	6,600	20.5	900	4,005	77	9,000	4,080

* Decibel from A-scale at 1 meter and 80 PSI (or maximum listed value)

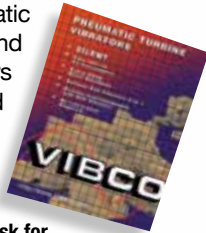
** Rule of thumb for sizing: One lb. vibrator force to each 10 lbs. of bin content at 80 PSI (or maximum listed value)

NOTE: • Data obtained on laboratory test block
• Frequency and force will decrease on less rigid mount
• Data subject to design changes

VIBCO VS SERIES BUILT-IN MUFFLER



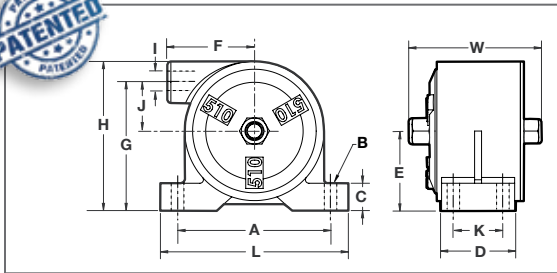
VIBCO patented the first pneumatic turbine vibrator in the early '70s and has excelled at developing vibrators for industry, manufacturing and construction use ever since. Our current patented design is *totally enclosed, maintenance-free, and features quiet operation.*



Ask for Catalog #9127



VIBCO's Model VS Turbine Vibrator works equally well on hopper applications (above left) or in conveying delicate glass vaccine bottles as the VS-100 silent Turbine is doing (above) without breakage or getting stuck.



Dimensions

Model	L		W		H		A**		B*		C		D		E		F		G		I NPT	J		K	
	in.	mm	in.	mm	in.	mm	in.	mm	in.	mm	in.	mm	in.	mm	in.	mm	in.	mm	in.	mm		in.	mm	in.	mm
VS-100	3-7/8	98	1-7/8	48	2	51	3	76	1/4	6	3/8	10	3/4	19	1	25	1-5/16	33	1-11/16	43	1/8	5/8	16	-	-
VS-130	4-7/8	124	2	51	2-5/16	59	4	102	3/8	10	3/8	10	15/16	24	1-1/4	32	1-1/2	38	1-15/16	49	1/8	3/4	19	-	-
VS-160	5-1/8	130	2-7/8	73	3	76	4	102	3/8	10	5/8	16	1-3/8	35	1-5/8	41	1-7/8	48	2-7/16	62	1/4	7/8	22	-	-
VS-190	5-7/16	138	3-1/4	83	3-1/16	78	4	102	3/8	10	5/8	16	1-5/16	33	1-3/4	44	2-1/8	54	2-1/2	64	1/4	7/8	22	-	-
VS-250	5-1/2	140	3-5/8	92	3-11/16	94	4	102	1/2	13	9/16	14	1-1/2	38	1-7/8	48	2-1/4	57	3	76	1/4	1-1/8	29	-	-
VS-320	5-1/2	140	4	102	4-3/4	121	4	102	1/2	13	13/16	21	1-3/4	44	2-3/4	70	2-1/4	57	4-1/8	105	3/8	1-1/4	32	-	-
VS-380	6-7/8	175	4-3/4	121	4-7/8	124	5-1/2	140	3/8	10	1	25	2-1/4	57	2-1/2	64	2-7/8	73	4	102	3/8	1-1/2	38	1-1/4	32
VS-510	6-15/16	176	4-3/4	121	5-3/8	137	5-1/2	140	3/8	10	1	25	2-3/4	70	2-7/8	73	3-1/4	83	4-3/4	121	1/2	1-3/4	44	1-3/4	44

* Max. mounting bolt diameter
 ** Alternate bolt patterns available. Consult factory.

NOTE: • Material, Dimensions & Data subject to change without notice
 • Dimensions ±1/16"
 • Engineered dimensional drawings available on request

HEAVY DUTY TURBINE "SILENT" PNEUMATIC VIBRATORS



- **Years of Trouble-Free Service** • **High Force**
- **Quiet, Meets OSHA Standards** • **Patented Design**
- **No Lubrication Required**

The only unit on the market to offer high force and absolutely quiet operation. Nine models are available. They all work on the patented turbine principle. Compressed air drives a specially designed turbine wheel, allowing the air to be channeled through the unit, then exhausting through muffler pads, making them virtually noiseless. None of these units need lubrication, all are pre-lubricated for life. Oversized bearings give the units years of trouble-free service.

MODEL CCF-2000, CCF-5000 & 7000 - Foot Mount - The quiet solution for large bins, hoppers, chutes, and ideal for the packing table and for screen applications. The lightweight and high force output, CCF-2000 and CCF-5000 replaces noisy 3" and 4" piston vibrators. The CCF-7000 is ideal for precast and concrete and replaces noisy roller vibrators with 100-110 dB noise level.

MODEL CCW-2000 - Wedge Mount - For portable applications, CCW-2000 comes with either a 2" or 3" wide wedge. The 2" wedge is used on septic tanks, manholes, columns, portable hoppers, and tote bins. The 3" wedge is used for larger forms such as wall and utility vaults, etc.

MODEL CCW-2500 HOBO - Wedge Mount - The Hobo Heavy

Duty Pneumatic Turbine Vibrator is the lightest weight railroad car shaker available at just 24 lbs! It works great for railcar clean-out with high force output and virtually silent operation (also see page 59)

MODEL CCW-5000 - Wedge Mount - CCW-5000 the Quiet Railroad Car-shaker has replaced the noisy piston railroad car shakers in the last few years. It replaces 3" & 4" piston vibrators. It fits all standard wedge brackets on hopper railroad cars.

MODEL CCL-2000, 5000, 7000 - Lug Mount - CCL-2000 is lightweight making it ideal for all small concrete pre-cast forms. Model CCL is ideal for tables, casting concrete panels, window frames, etc. or replacing large piston vibrators up to 4" size. CCL-7000 with 78dB and high force replaces the noisy 100-110dB roller vibrators in the concrete pipe, prestressed and precast industries.

MODEL VSP-510 Pin Bracket Mount - VSP-510 - A silent unit for concrete burial vaults, etc. as well as other applications where the vibrator is moved from form to form or bin to bin. They meet OSHA standards for being completely noiseless and outlast standard pistons three to one.

Ask for Catalogs: **Railroad Car Shaker, Concrete Handbook and Concrete Walls & Columns**



Technical Data



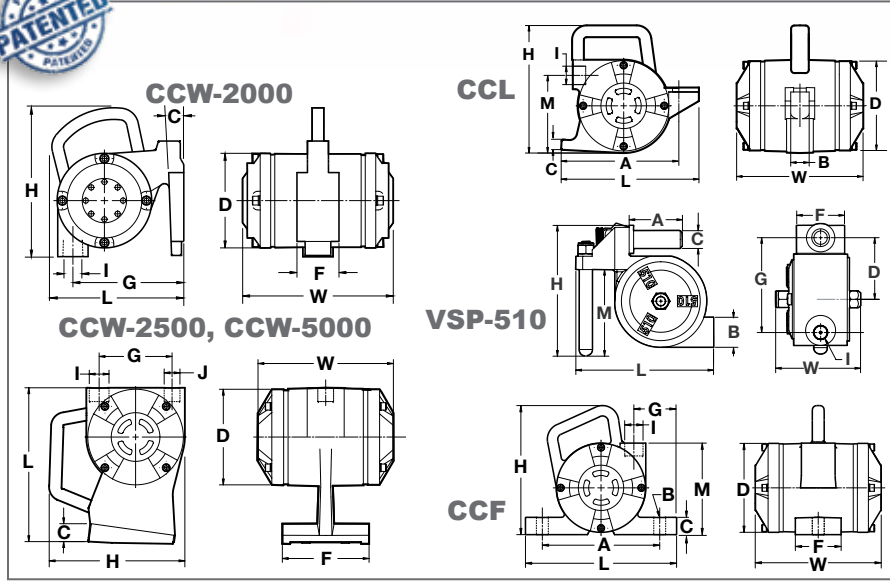
Model	Weight		60 PSI (4 Bar)				80 PSI (5.5 Bar)				Sound*	Max. Weight** of Material in Bin Slope Area	
			Vibration per min.	Cubic ft. per min.	Centrifugal Force		Vibration per min.	Cubic ft. per min.	Centrifugal Force				
	VPM	CFM air			lbs.	Newtons			VPM	CFM air			
CCF-2000	23	10.5	4,000	30	890	3,960	6,000	40	2,000	8,895	78	20,000	9,070
CCL-2000	23	10.5	4,000	30	890	3,960	6,000	40	2,000	8,895	78	20,000	9,070
CCW-2000	23	10.5	4,000	30	890	3,960	6,000	40	2,000	8,895	78	20,000	9,070
CCW-2500	22	10.0	4,000	25	1,115	4,960	6,000	35	2,500	11,120	78	25,000	11,340
CCF & CCL-5000	48	21.8	4,000	35	2,220	9,875	6,000	50	5,000	22,240	75	50,000	22,680
CCW-5000	48	21.8	4,000	35	2,220	9,875	6,000	50	5,000	22,240	75	50,000	22,680
CCF & CCL-7000	48	21.8	5,000	40	3,380	15,035	7,200	50	7,000	31,135	78	70,000	31,750
VSP-510	15	6.8	4,000	18	790	3,515	4,500	21	1,000	4,450	77	10,000	4,500

* Decibel from A-scale at 1 meter and 80 PSI

** Rule of thumb for sizing: One lb. vibrator force to each 10 lbs. of bin content at 80 PSI

NOTE: • Data obtained on laboratory test block
• Frequency and force will decrease on less rigid mount
• Data subject to design changes

CC SERIES HIGH FORCE



The CCW-5000 unit shown here fits the standard rail car female wedge bracket for easy unloading of a rail road hopper car.

Dimensions

Model	L		W		H		A**		B*		C		D		F		G		I	J	M	
	in.	mm	in.	mm	in.	mm	in.	mm	in.	mm	in.	mm	in.	mm	in.	mm	in.	mm	NPT	NPT	in.	mm
CCF-2000	7-1/2	190	8-1/16	205	7-1/8	181	6	152	5/8	16	3/4	19	5-1/8	130	2	51	1-3/4	44	3/4	-	5-3/8	137
CCL-2000	7	178	8-1/16	205	7-1/4	184	6	152	3/4	19	3/8	10	5-1/8	130	-	-	-	-	3/4	-	4-1/8	105
CCW-2000	7	178	8-1/16	205	8	203	-	-	-	-	7/8	22	5-1/8	130	2-1/4	57	5-15/16	151	3/4	-	-	-
CCW-2500	9-3/4	248	6-7/16	164	8-5/8	219	-	-	-	-	1-1/8	29	6-1/16	154	5-1/2	140	4-11/16	120	3/4	3/4	-	-
CCF- 5000 & 7000	10-1/4	260	8-5/8	219	8-7/8	225	8	203	3/4	19	1-1/8	29	6-1/16	154	3-1/8	79	2-7/8	73	1	-	6-1/4	159
CCL- 5000 & 7000	9-3/8	238	8-5/8	219	8-5/8	219	8	203	1	25	13/16	21	6-1/16	154	-	-	-	-	1	-	5-1/4	133
CCW-5000	9-3/4	248	8-5/8	219	8-5/8	219	-	-	-	-	1-1/8	29	6-1/16	154	5-1/2	140	4-5/8	117	1	3/4	-	-
VSP-510	8	203	4-13/16	121	7-1/8	181	3	76	1-1/2†	38	1	25	3-1/2	89	2-5/8	67	5-5/16	135	1/2	-	4-3/4	121

* Max. mounting bolt diameter
 ** Alternate bolt patterns available. Consult factory.
 † See drawing for dimension B, no bolt required for VSP-510

NOTE: • Material, Dimensions & Data subject to change without notice
 • Dimensions ±1/16"
 • Engineered dimensional drawings available on request

"SILENT" PNEUMATIC TURBINE VIBRATORS

MLT-380
MHI-380
eco FRIENDLY

MLT-320
MHI-320
eco FRIENDLY

MLT-250
MHI-250
eco FRIENDLY



- **MLT Continuous Duty**
- **MHI High Speed, Fast Start, Intermittent Duty**
- **Lightweight Extruded Aluminum Housing**
- **Pressure Range 30 to 80 PSI**
- **Quiet, Meets OSHA Standards**
- **No Lubrication Required**

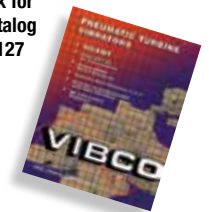
SERIES MLT - VIBCO's MLT line vibrators are lightweight, with housings made from extruded aluminum, stainless steel shafts and aircraft aluminum end cover. Oversized bearings give these vibrators additional strength, durability, and long life. Designed with slotted mounting hole for easy installation on many bolt patterns. The tapped exhaust ports allow exhausting air to be piped off to ensure a clean environment or a muffler should be installed to lessen the noise of exhausting air. The operating range is 30-80 PSI with maximum operating temperature of 250°F or 120°C. The units are virtually noiseless with a dB reading well below OSHA limits, as low as 68 dB on the A-scale at 1 meter.

SERIES MHI - The MHI line features a fast start (reaching full RPM in half the time of standard models) and high frequency.

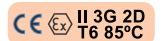
Both the MLT and MHI lines are available in a variety of sanitary finishes for the food and beverage and pharmaceutical industries. Available in high gloss dairy white industrial enamel, anodized or unpainted aluminum.



Ask for Catalog #9127



Technical Data



Model	Weight		60 PSI (4 Bar)				80 PSI (5.5 Bar)				Sound*	Max. Weight** of Material in Bin Slope Area	
			Vibration per min.	Cubic ft. per min.	Centrifugal Force		Vibration per min.	Cubic ft. per min.	Centrifugal Force				
	lbs.	kg.	VPM	CFM air	lbs.	Newtons	VPM	CFM air	lbs.	Newtons	dB	lbs.	kg.
MLT-100	0.4	0.2	10,000	3.0	20	90	—	—	—	—	66	200	90
MLT-130	1.0	0.5	7,500	4.5	50	225	10,500	5.5	75	335	68	750	340
MLT-190	2.0	0.9	7,000	7.5	160	710	7,200	8.5	270	1,200	68	2,700	1,225
MLT-250	2.4	1.1	7,000	8.0	250	1,115	7,200	9.0	480	2,135	72	4,800	2,180
MLT-320	4.5	2.0	5,500	9.0	390	1,735	6,800	10.0	600	2,669	70	6,000	2,700
MLT-380	13.1	6.0	4,200	13.0	545	2,415	5,600	17.0	670	2,980	74	6,700	3,040
MHI-100	0.4	0.2	24,000	2.5	80	355	—	—	—	—	68	200	90
MHI-130	1.0	0.5	17,200	4.5	200	890	21,000	5.5	300	1,340	68	3,000	1,350
MHI-190	2.0	0.9	8,000	7.5	335	1,490	10,500	8.5	575	2,560	71	5,750	2,590
MHI-250	2.4	1.1	7,400	8.0	510	2,270	10,200	9.0	965	9,290	72	9,650	4,350
MHI-320	4.5	2.0	7,200	9.0	675	3,000	10,000	10.0	1300	5,780	70	13,000	5,855
MHI-380	13.1	6.0	7,000	13.0	350	1,560	10,000	17.0	680	3,025	74	6,800	3,090

* Decibel from A-scale at 1 meter and 80 PSI (or maximum listed value)
 ** Rule of thumb for sizing: One lb. vibrator force to each 10 lbs. of bin content at 80 PSI (or maximum listed value)

NOTE: • Data obtained on laboratory test block
 • Frequency and force will decrease on less rigid mount
 • Data subject to design changes

VIBCO MLT SERIES LIGHTWEIGHT

PNEUMATIC

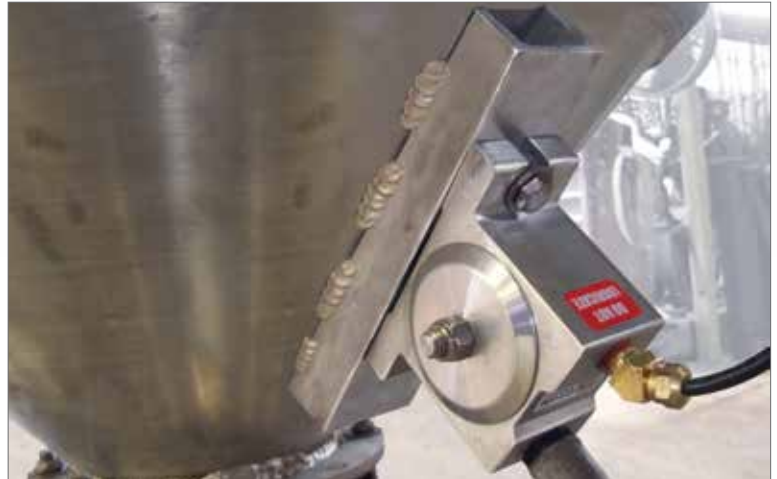
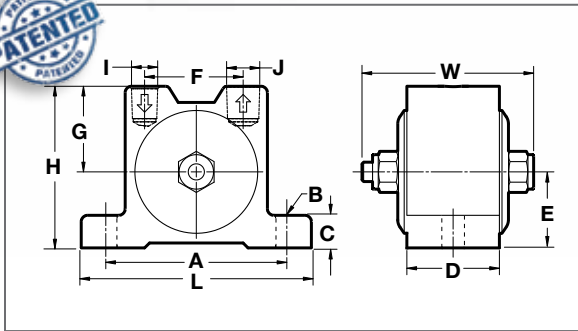
MLT190
MHI-190
ECO FRIENDLY



MLT-130
MHI-130
ECO FRIENDLY



MLT-100
MHI-100
ECO FRIENDLY



With high speed sealed bearings that are pre-lubricated for life, the MLT Vibrators (like the MLT-190 shown right) are virtually maintenance free – no lubrication required! Use VIBCO's mounting system for greater efficiency and longer vibrator life. Consult factory for more information on mounting.

Dimensions

Model	L		W		H		A**		B*		C		D		F		G		I	J
	in.	mm	in.	mm	in.	mm	in.	mm	in.	mm	in.	mm	in.	mm	in.	mm	in.	mm	NPT	NPT
MLT-100	2-13/16	71	1-5/8	41	2	51	2-3/8	60	1/4	6	3/8	10	13/16	21	1-1/8	29	1-1/16	27	1/8	1/8
MLT-130	3-1/2	89	1-7/8	48	2-1/2	64	2-3/4	70	1/4	6	1/2	13	1	25	1-7/16	37	1-1/8	29	1/8	1/4
MLT-190	4-1/2	114	3-3/8	86	3-3/16	81	3-1/2	89	3/8	10	5/8	16	1-13/16	46	1-15/16	49	1-1/2	38	1/4	3/8
MLT-250	5	127	3-1/2	89	3-3/8	86	4	102	3/8	10	5/8	16	2	51	2-1/4	57	1-11/16	43	1/4	3/8
MLT-320	6-5/16	160	4	102	4-3/16	106	5	127	1/2	13	13/16	21	2	51	2-13/16	71	2-3/16	56	3/8	1/2
MLT-380	7-5/8	194	4-15/16	125	4-3/4	121	6	152	11/16	17	1-3/16	30	2-5/16	59	3-1/8	79	2-3/8	60	3/8	1/2
MHI-100	2-13/16	71	1-5/8	41	2	51	2-3/8	60	1/4	6	3/8	10	13/16	21	1-1/8	29	1-1/16	27	1/8	1/8
MHI-130	3-1/2	89	1-7/8	48	2-1/2	64	2-3/4	70	1/4	6	1/2	13	1	25	1-7/16	37	1-3/16	29	1/8	1/4
MHI-190	4-1/2	114	3-3/8	86	3-3/16	81	3-1/2	89	3/8	10	5/8	16	1-13/16	46	1-15/16	49	1-3/4	44	1/4	3/8
MHI-250	5	127	3-1/2	89	3-3/8	86	4	102	3/8	10	5/8	16	2	51	2-1/4	57	1-11/16	43	1/4	3/8
MHI-320	6-5/16	160	4	102	4-3/16	106	5	127	1/2	13	13/16	21	2	51	2-3/4	70	2-3/16	56	3/8	1/2
MHI-380	7-5/8	194	4-15/16	125	4-3/4	121	6	152	11/16	17	1-3/16	30	2-5/16	59	3-1/8	79	2-3/8	60	3/8	1/2

* Max. mounting bolt diameter
** Alternate bolt patterns available.
Consult factory.

NOTE: • Material, Dimensions & Data subject to change without notice
• Dimensions ±1/16"
• Engineered dimensional drawings available on request

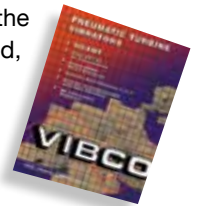
"SILENT" PNEUMATIC TURBINE VIBRATORS



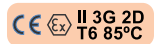
- **Lightweight Aluminum Housing**
- **Sanitary, Washdown Safe**
- **Quiet, Meets OSHA Standards**
- **From 100 to 600 lbs of Force**
- **No Lubrication Required**
- **Slotted Foot for Flexible Placement**
- **Thin and Smooth to Fit in Tight Spaces**
- **Fit's Competitive Hole Patterns**

SERIES STV - The need for a safe wash-down unit in the pharmaceutical, chemical and laboratory environment lead VIBCO engineers to design the STV line. There are no protruding bolts or surfaces to collect material. These units are totally enclosed and are power wash safe. By attaching an air hose to the exhaust port, the exhausting air can be piped away and exhausted outside the area. VIBCO's patented design will insure a long and maintenance free service. The all aluminum anodized unit will not rust or corrode. Six units in line will produce a very small vibration force for the smallest bin or chute to the largest bin in the food, beverage and pharmaceutical or chemical industries needing a safe wash-down unit.

Ask for Catalog #9127



Technical Data



Model	Weight		60 PSI (4 Bar)				80 PSI (5.5 Bar)				Sound*	Max. Weight** of Material in Bin Slope Area	
			Vibration per min.	Cubic ft. per min.	Centrifugal Force		Vibration per min.	Cubic ft. per min.	Centrifugal Force				
	lbs.	kg.	VPM	CFM air	lbs.	Newtons	VPM	CFM air	lbs.	Newtons			
STV-100	0.4	0.2	24,000	2.5	80	355	—	—	—	—	68	200	90
STV-130	1.0	0.5	17,200	4.5	200	890	21,000	5.5	300	1,340	68	3,000	1,350
STV-190	2.0	0.9	8,000	7.5	335	1,490	10,500	8.5	575	2,560	71	5,750	2,590
STV-250	2.4	1.1	7,400	8.0	510	2,270	10,200	9.0	965	9,290	72	9,650	4,350
STV-320	4.5	2.0	7,200	9.0	675	3,000	10,000	10.0	1300	5,780	70	13,000	5,855
STV-380	13.1	6.0	7,000	13.0	350	1,560	10,000	17.0	680	3,025	74	6,800	3,090

* Decibel from A-scale at 1 meter and 80 PSI (or maximum listed value)

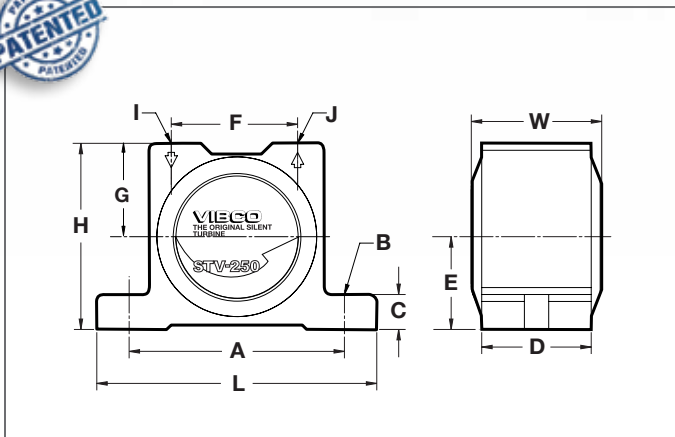
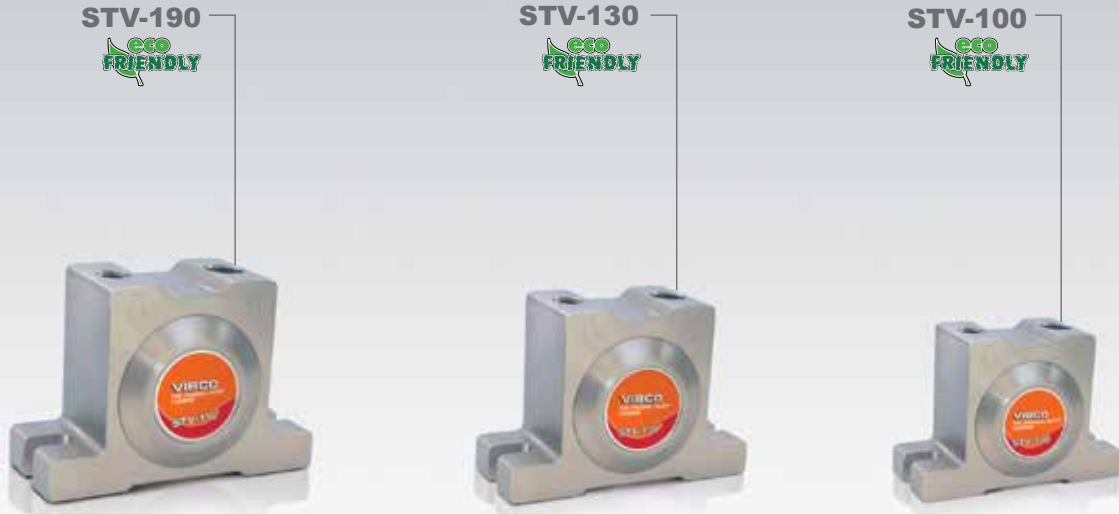
** Rule of thumb for sizing: One lb. vibrator force to each 10 lbs. of bin content at 80 PSI (or maximum listed value)

NOTE: • Data obtained on laboratory test block
• Frequency and force will decrease on less rigid mount
• Data subject to design changes

VIBCO STV SERIES

SANITARY & WASHDOWN SAFE

PNEUMATIC



Totally enclosed, the STV shown right is unaffected by power washing and will not rust or corrode.

Dimensions

Model	L		W		H		A**		B*		C		D		F		G		I	J
	in.	mm	in.	mm	in.	mm	in.	mm	in.	mm	in.	mm	in.	mm	in.	mm	in.	mm	NPT	NPT
STV-100	2-13/16	71	1-3/16	301	2	51	2-3/16	56	1/4	6	3/8	10	13/16	21	1-1/8	29	1-1/16	27	1/8	1/8
STV-130	4-1/2	114	1-7/16	37	2-9/16	65	3-1/2	89	5/16	8	1/2	13	1	25	1-7/16	37	1-5/16	33	1/8	1/4
STV-190	4-1/2	114	2-3/16	56	3-1/8	79	3-1/2	89	7/16	11	5/8	16	1-13/16	46	1-15/16	49	1-11/16	43	1/4	3/8
STV-250	5	127	2-3/8	60	3-3/8	86	3-7/8	98	7/16	11	5/8	16	2	51	2-1/4	57	1-11/16	43	1/4	3/8
STV-320	6-5/16	160	2-11/16	68	4-3/16	106	5	127	1/2	13	13/16	21	2	51	2-3/4	70	2-3/16	56	3/8	1/2
STV-380	7-5/8	194	3-1/8	79	4-3/4	121	6	152	11/16	17	1-3/16	30	2-5/16	59	3-1/8	79	2-3/8	60	3/8	1/2

* Max. mounting bolt diameter
 ** Alternate bolt patterns available.
 Consult factory.

NOTE: • Material, Dimensions & Data subject to change without notice
 • Dimensions $\pm 1/16"$
 • Engineered dimensional drawings available on request

VIBCO MLTSS, MHISS STAINLESS PNEUMATIC, CONTINUOUS/INTERMITTENT DUTY

MLTSS-320
MHISS-320



MLTSS-190
MHISS-190



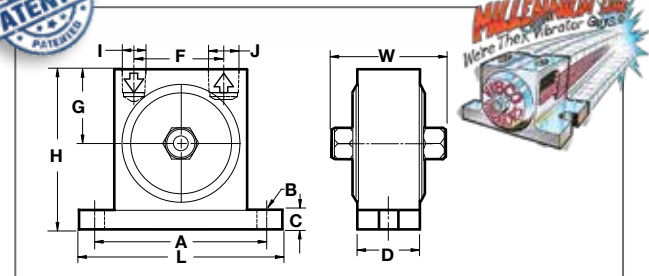
MLTSS-130
MHISS-130



With high speed sealed bearings that are pre-lubricated for life, the MLT Vibrators (like the MLTSS shown above) are virtually maintenance free.

- **MLTSS SERIES** are Continuous Duty
- **MHISS SERIES** are High Speed, Fast Start, Intermittent Duty
- **MLTSS & MHISS Series Can Be Made from 2 Grades of Stainless Steel - Standard 303 or Optional 316L**
- **Ideal for Sanitary Applications Even in Harsh Chemical Environments.**
- **Other Sanitary Finishes Available**
- **Quiet, Meets OSHA Standards**
- **No Lubrication Required**

Oversized bearings give these vibrators additional strength, durability and long life. Designed with slotted mounting hole for easy installation on many bolt patterns. The tapped exhaust ports allow exhausting air to be piped off to ensure a clean environment or a muffler should be installed to lessen the noise of exhausting air.



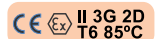
Dimensions

Model	L		W		H		A**		B*		C		D		F		G		I	J
	in.	mm	in.	mm	in.	mm	in.	mm	in.	mm	in.	mm	in.	mm	in.	mm	in.	mm	NPT	NPT
MLTSS-130	3-1/2	89	1-7/8	48	2-1/2	64	2-3/4	70	1/4	6	1/2	13	1	25	1-7/16	37	1-1/8	29	1/8	1/4
MLTSS-190	4-1/2	114	3-3/8	86	3-3/16	81	3-1/2	89	3/8	10	5/8	16	1-13/16	46	1-15/16	49	1-1/2	38	1/4	3/8
MLTSS-320	6-3/8	162	4	102	4-1/4	108	5	127	1/2	13	13/16	21	2	51	2-13/16	71	2-1/16	52	3/8	1/2
MHISS-130	3-1/2	89	1-7/8	48	2-1/2	64	2-3/4	70	1/4	6	1/2	13	1	25	1-7/16	37	1-3/16	29	1/8	1/4
MHISS-190	4-1/2	114	3-3/8	86	3-3/16	81	3-1/2	89	3/8	10	5/8	16	1-13/16	46	1-15/16	49	1-3/4	44	1/4	3/8
MHISS-320	6	152	4	102	4-1/4	108	5	127	1/2	13	13/16	21	2	51	2-13/16	71	2-1/8	54	3/8	1/2

* Max. mounting bolt diameter ** Alternate bolt patterns available. Consult factory. NOTE: Material, Dimensions & Data subject to change without notice • Dimensions ±1/16"



Technical Data



Model	Weight		60 PSI (4 Bar)				80 PSI (5.5 Bar)				Sound*	Max. Weight** of Material in Bin Slope Area	
			Vibration per min.	Cubic ft. per min.	Centrifugal Force		Vibration per min.	Cubic ft. per min.	Centrifugal Force				
	lbs.	kg.	VPM	CFM air	lbs.	Newtons	VPM	CFM air	lbs.	Newtons	dB	lbs.	kg.
MLTSS-130	2	0.9	7,500	4.5	50	225	10,500	5.5	75	335	68	750	340
MLTSS-190	7	3.2	7,000	7.5	160	710	12,000	8.5	270	1,200	71	2,700	1,225
MLTSS-320	13	6.0	5,000	9.0	510	2,270	6,000	10.0	965	4,295	70	9,650	4,380
MHISS-130	2	0.9	17,200	4.5	200	890	21,000	5.5	300	1,340	68	3,000	1,360
MHISS-190	7	3.2	8,000	7.5	335	1,490	10,500	8.5	575	2,560	71	5,750	2,610
MHISS-320	13	6.0	7,200	9.0	675	3,000	10,000	10.0	1,300	5,780	70	13,000	5,900

* Decibel from A-scale at 1 meter and 80 PSI
** Rule of thumb for sizing: One lb. vibrator force to each 10 lbs. of bin content at 80 PSI

NOTE: • Data obtained on laboratory test block
• Frequency and force will decrease on less rigid mount
• Data subject to design changes

VIBCO PNEUMATIC VIBRATORS ON THE JOB



Here are just a few examples of the kind of industries that use VIBCO Pneumatic Turbine vibrators. Above left is our Model MLTSS Stainless Steel (page 18), keeping materials moving in a manufacturing bin. Above right, a model MLT vibrator (page 14-15) works to move and cans along a conveyor. Below right, VIBCO piston models (page 24-29) are a perfect solution for quick and effective clearing of this truck and they work equally well for railroad cars and hoppers (see also railroad car shakers pages 58-59). A Model VS at the left (page 10-11) with internal muffler can handle dusty and rough environments or the clean manufacturing environment shown at left.



"SILENT" PNEUMATIC TURBINE VIBRATORS



BBS & GIO SERIES

- No Lubrication Required
- Fast Start
- High Frequency
- Aluminum Housing for BBS Series
- Lightweight Plastic, Corrosion Resistant Housing for the GIO Series

MODEL BBS - The BBS-100, 130, 160 and 190 are the smallest of VIBCO turbine vibrators and feature a versatile mount and aluminum housing. (Malleable Casting available on special order.) They never need oil for continuous duty operation. Comes with a threaded exhaust port.

MODEL GIO - GIO Silent Pneumatic Turbine Vibrators are the smallest, lightest, most versatile VIBCO turbine vibrators available. Your wash-down environment is no match for the durable, corrosion-resistant housing that has excellent resistance to solvents.

The BBS, shown at right, is a remarkably small 3-1/4" x 2" yet packs a punch with 10,000 vibrations per minute and a centrifugal force of 20 lbs. It is ideal for bins which are loaded with up to 200 lbs.

Ask for Catalog #9127



Technical Data

CE II 3G 2D T6 85°C

Model	Weight		60 PSI (4 Bar)				80 PSI (5.5 Bar)				Sound*	Max. Weight** of Material in Bin Slope Area	
			Vibration per min.	Cubic ft. per min.	Centrifugal Force		Vibration per min.	Cubic ft. per min.	Centrifugal Force				
	lbs.	kg.	VPM	CFM air	lbs.	Newtons	VPM	CFM air	lbs.	Newtons	dB	lbs.	kg.
FBS-100	9.8 oz.	0.28	17,000	<2.0	30	135	—	—	—	—	66	For Match-Plates	
FBS-130	18.1 oz.	0.51	13,000	2.0	115	505	17,000	2.25	150	665	68	For Match-Plates	
FBS-160	23.9 oz.	0.68	15,000	2.25	145	655	18,000	2.50	225	1,000	68	For Match-Plates	
FBS-190	25.2 oz.	0.71	13,000	2.25	180	805	17,000	2.50	250	1,110	70	For Match-Plates	
BBS-100	5.1 oz.	0.14	10,000	<2.0	20	90	—	—	—	—	66	200	90
BBS-130	8.1 oz.	0.23	12,000	2.0	45	195	17,000	2.25	75	335	67	750	340
BBS-160	10.4 oz.	0.29	10,000	2.0	60	265	15,000	2.25	160	710	67	1,600	725
BBS-190	10.6 oz.	0.30	10,000	2.0	180	805	15,000	2.25	250	1,115	70	2,500	1,135
GIO-100	4.0 oz.	0.11	12,000	<2.0	20	90	—	—	—	—	66	200	90
GIO-130	6.4 oz.	0.18	8,000	2.0	45	195	10,500	2.25	75	335	67	750	340
GIO-160	7.2 oz.	0.20	5,500	2.0	60	265	9,000	2.25	160	710	67	1,600	725
GIO-190	7.2 oz.	0.20	5,000	2.0	180	805	8,500	2.25	250	1,115	70	2,500	1,135

* Decibel from A-scale at 1 meter and 80 PSI (or maximum listed value)
 ** Rule of thumb for sizing: One lb. vibrator force to each 10 lbs. of bin content at 80 PSI (or maximum listed value)

NOTE: • Data obtained on laboratory test block
 • Frequency and force will decrease on less rigid mount
 • Data subject to design changes

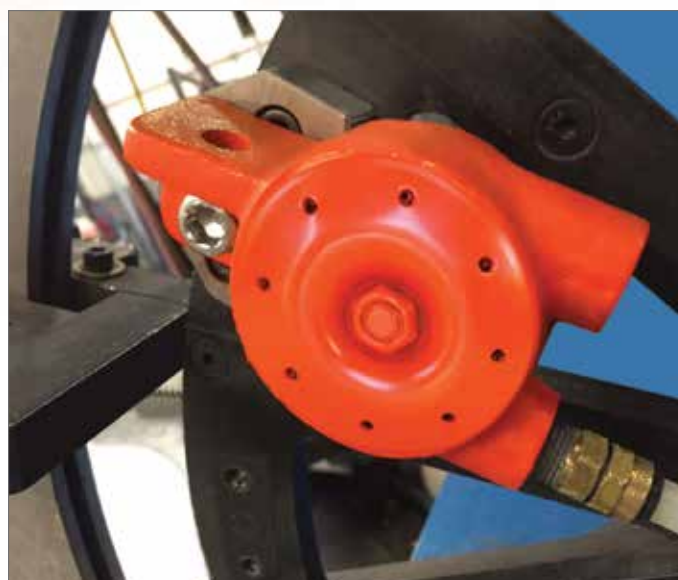
VIBCO FBS, BBS & GIO SERIES

SMALLEST OF VIBCO TURBINES

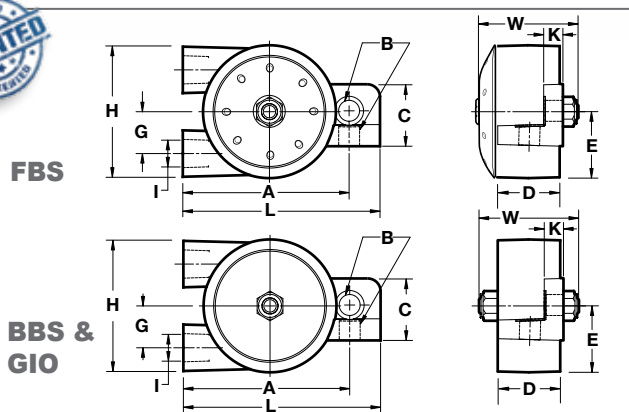


FBS SERIES

- Virtually Noiseless with Built-In Muffler
- Rapid Start, High Frequency
- Cast Iron Housing
- No Lubrication Required
- Filter Regulator Maximizes Performance and Product Life (factory recommended)



The FBS-100, 130, 160 and 190, with built in mufflers, are designed as a match plate vibrator for the foundry industry and feature a fast start with high RPM and force and low noise with a built-in muffler. The match plate vibrators are to be used only for intermittent duty.



Dimensions

Model	L		W		H		A**		B*		C		D		E		G		I	K	
	in.	mm	in.	mm	in.	mm	in.	mm	in.	mm	in.	mm	in.	mm	in.	mm	in.	mm	NPT	in.	mm
BBS-100, FBS-100 & GIO-100	3-1/4	83	1-5/8	41	2	51	2-5/8	67	5/16	8	1	25	7/8	22	15/16	24	9/16	14	1/8	5/16	8
BBS-130, FBS-130 & GIO-130	3-11/16	93	1-7/8	48	2-1/4	57	3-3/16	81	3/8	10	1-3/16	30	1-1/8	27	1-1/8	29	5/8	16	1/4	5/16	8
BBS-160, FBS-160 & GIO-160 BBS-190, FBS-190 & GIO-190	4-1/8	105	2	51	2-9/16	65	3-9/16	90	3/8	10	1-1/4	32	1-1/4	32	1-1/4	32	15/16	24	1/4	7/16	10

* Max. mounting bolt diameter
 ** Alternate bolt patterns available. Consult factory.

NOTE: • Material, Dimensions & Data subject to change without notice
 • Dimensions ±1/16"
 • Engineered dimensional drawings available on request

PNEUMATIC BALL VIBRATORS



THE BB SERIES, left, can be equipped with a muffler on the threaded exhaust port. The threaded exhaust allows oily exhaust air to be piped away when absolute cleanliness is required. Designed for applications requiring a small to medium amount of vibration.

VIBCO BALL VIBRATORS

- Tapped Inlet and Outlet
- High Temperature Operation
- Fast Start
- Bolt Patterns match Competitors

Require lubrication for long maintenance-free operation. Compressed air drives a hardened steel ball at high speeds around a highly finished and hardened steel race creating high frequency vibration. Mount VIBCO Ball Vibrator directly onto mounting plates welded or bolted to the structure to be vibrated.

THE V-LINE BALL VIBRATORS are lowest in cost with tapped exhaust. Versatile, light & sturdy, they're made to work in adverse conditions of water, heat, cold or dirt, and in any position. The most popular unit is the V-320, considered the work horse of the line, producing 600 lbs. at 10,000 VPM.

THE BV SERIES withstands continuous operation at high temperatures up to 350° by maintaining a constant low air pressure of 5 to 10 PSI through unit when not in operation. Easy to repair. The top air outlet port allows discharged air to be silenced by a muffler, or piped away from the area of operation when absolute cleanliness is required.

Technical Data

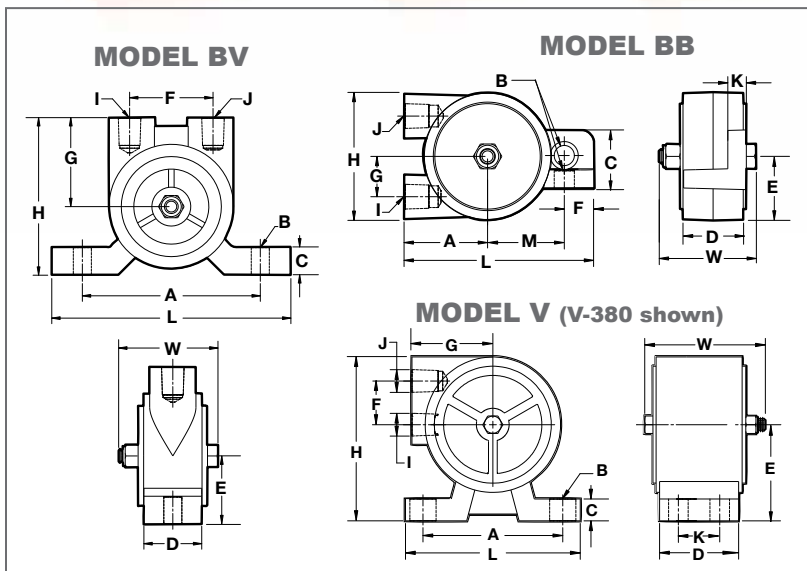
Model	Weight		Vibration per min.		Cubic ft. per min.		Vibration per min.		Cubic ft. per min.		Centrifugal Force		Sound	Max. Weight** of Material in Bin Slope Area	
	lbs.	kg.	VPM*	CFM	VPM*	CFM	VPM*	CFM	lbs.	Newtons	dB*	lbs.	kg.		
SERIES BB			20 PSI (1.4 Bar)		40 PSI (2.8 Bar)		60 PSI (4 Bar)						@VPM		
BB-100	8 oz.	0.23	17,000	2.0	20,000	4	24,000	6.0	55	245	75/20,000	550	250		
BB-130	10 oz.	0.28	12,000	2.5	15,000	5	19,000	7.5	80	355	72/15,000	800	365		
BB-160	16 oz.	0.45	11,000	3.0	13,000	6	15,000	8.0	140	625	76/13,000	1,400	635		
BB-190	18 oz.	0.51	10,000	4.0	12,000	7	15,500	11.0	250	1,110	77/12,000	2,500	1,135		
SERIES BV			40 PSI (2.8 Bar)		60 PSI (4 Bar)		80 PSI (5.5 Bar)						@VPM		
BV-60	8 oz.	0.23	17,000	2.0	20,000	4	24,000	6.0	55	245	75/20,000	550	250		
BV-130	11 oz.	0.31	12,000	2.0	15,000	5	19,000	7.5	80	355	76/15,000	800	365		
BV-190	24 oz.	0.69	12,000	6.0	14,000	10	16,000	11.0	260	1,160	77/12,000	2,600	1,180		
BV-250	2.8	1.30	9,200	8.0	10,500	11	11,000	13.0	380	1,690	79/9,200	3,800	1,725		
BV-320	4.8	2.20	6,500	9.0	7,500	14	8,400	17.0	480	2,135	80/6,500	4,800	2,175		
BV-380	6.2	2.80	5,500	10.0	6,200	15	6,500	20.0	600	2,670	82/5,500	6,000	2,720		
SERIES V			40 PSI (2.8 Bar)		60 PSI (4 Bar)		80 PSI (5.5 Bar)						@VPM		
V-100	8 oz.	0.23	20,000	4.0	24,000	6	-	-	55 (60 PSI)	245 (60 PSI)	75/20,000	550 (60 PSI)	250 (60 PSI)		
V-130	11 oz.	0.31	15,000	5.0	19,000	7.5	-	-	80 (60 PSI)	355 (60 PSI)	72/15,000	800 (60 PSI)	365 (60 PSI)		
V-190	26 oz.	0.74	12,000	6.0	14,000	10	16,000	11.0	260	1,160	73/16,000	2,600	1,180		
V-250	2.6	1.20	9,200	8.0	10,500	11	11,000	13.0	380	1,690	72/11,000	3,800	1,725		
V-320	4.6	2.10	7,500	12.0	8,900	14	10,000	17.0	650	2,895	78/10,000	6,500	2,950		
V-380	6.2	2.80	5,500	10.0	6,200	15	6,500	20.0	600	2,670	78/6,500	6,000	2,720		

* Decibel from A-scale at 1 meter and given VPM

** Rule of thumb for sizing: One lb. vibrator force to each 10 lbs. of bin content at 80 PSI (or maximum listed value)

NOTE: • Data obtained on laboratory test block
• Frequency and force will decrease on less rigid mount
• Data subject to design changes

VIBCO BB, BV & V SERIES FAST START



The V-190 shown with optional muffler for noise reduction. A base plate is mounted under the channel for greater efficiency.

Dimensions

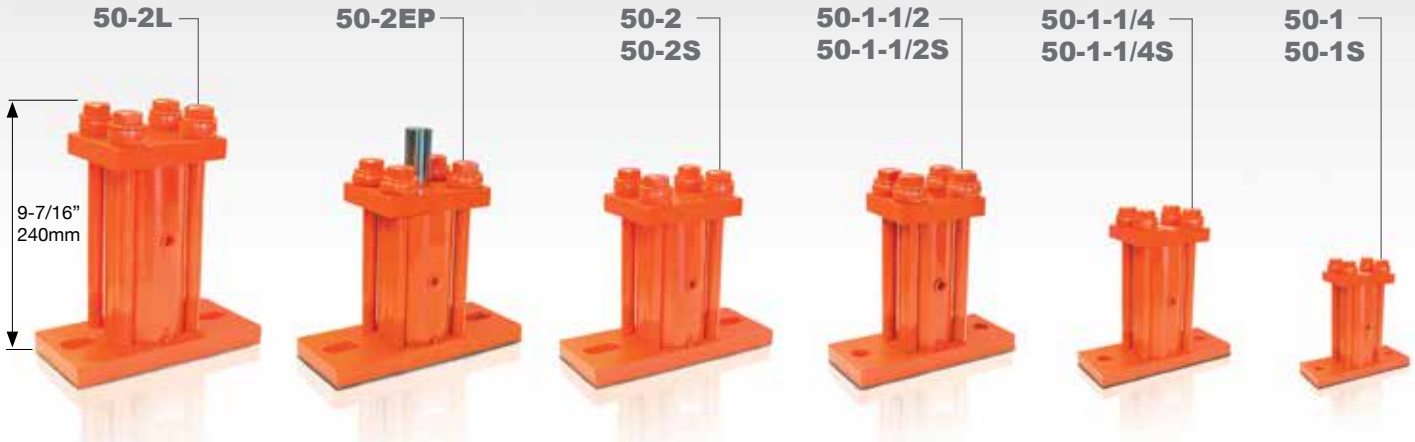
Model	L		W		H		A**		B*		C		D		E		F		G		I	J	K		M	
	in.	mm	in.	mm	in.	mm	in.	mm	in.	mm	in.	mm	in.	mm	in.	mm	in.	mm	in.	mm	NPT	NPT	in.	mm	in.	mm
BB-100	3-1/4	83	1-11/16	43	2	51	1-1/4	32	5/16	8	1	25	7/8	22	15/16	24	1/2	12	9/16	14	1/8	1/8	5/16	8	1-3/8	35
BB-130	3-3/4	95	1-15/16	49	2-1/4	57	1-5/8	41	3/8	10	1-3/16	30	1-1/16	27	1-1/8	29	9/16	14	5/8	16	1/4	1/4	5/16	8	1-9/16	40
BB-160	4-1/8	105	2	51	2-9/16	65	1-3/4	44	3/8	10	1-1/4	32	1-1/4	32	1-1/4	32	3/4	19	3/4	19	1/4	1/4	3/8	10	1-13/16	46
BB-190	4-1/8	105	2	51	2-9/16	65	1-3/4	44	3/8	10	1-1/4	32	1-1/4	32	1-1/4	32	3/4	19	3/4	19	1/4	1/4	3/8	10	1-13/16	46

Model	L		W		H		A**		B*		C		D		E		F		G		I	J
	in.	mm	in.	mm	in.	mm	in.	mm	in.	mm	in.	mm	in.	mm	in.	mm	in.	mm	in.	mm	NPT	NPT
BV-60	3-7/8	98	1-11/16	43	2-1/2	64	3	76	1/4	6	5/8	16	3/4	19	1-3/16	30	1-1/4	32	1-1/4	32	1/8	1/8
BV-130	4-7/8	124	1-15/16	49	2-3/4	70	4	102	3/8	10	3/4	19	7/8	22	1-1/4	32	1-7/16	37	1-5/16	33	1/8	1/4
BV-190	5-1/2	140	2-1/4	57	3-9/16	90	4	102	3/8	10	9/16	14	1-1/4	32	2	51	1-7/8	48	2	51	1/4	1/4
BV-250	6-3/4	171	2-7/16	62	4	102	5	127	1/2	12	7/8	22	1-5/16	33	2	51	2-3/16	56	2-1/8	54	1/4	1/4
BV-320	6-11/16	170	2-3/4	70	4-7/8	124	5	127	1/2	12	1-1/8	29	1-5/8	41	3	76	2-3/4	70	2-9/16	65	3/8	3/8
BV-380	7-7/8	200	2-15/16	75	5-3/4	146	6	152	5/8	16	1-1/8	29	2	51	2-3/4	70	2-13/16	71	3	76	3/8	3/8

Model	L		W		H		A**		B*		C		D		E		F		G		H	I	J	K		
	in.	mm	in.	mm	in.	mm	in.	mm	in.	mm	in.	mm	in.	mm	in.	mm	in.	mm	in.	mm	NPT	NPT	in.	mm		
V-100	3-7/8	98	1-11/16	43	2	51	3	76	1/4	6	7/16	11	3/4	19	1	25	5/8	16	1-5/16	33	1-11/16	43	—	1/8	—	
V-130	4-7/8	124	1-15/16	49	2-5/16	59	4	102	3/8	10	7/16	11	15/16	24	1-1/4	32	3/4	19	1-1/2	38	1-15/16	49	—	1/8	—	
V-190	5-1/16	129	2-3/16	56	3-3/16	81	4	102	3/8	10	9/16	14	1-5/16	3	1-3/4	44	7/8	22	2	51	2-5/8	67	1/4	1/4	—	
V-250	5-9/16	141	2-7/16	62	3-1/2	89	4	102	1/2	12	9/16	14	1-1/2	38	1-7/8	48	3/4	19	2-1/4	57	2-15/16	87	1/4	1/4	—	
V-320	5-9/16	141	2-3/4	70	4-7/8	124	4	102	1/2	12	3/4	19	1-1/2	38	2-3/4	70	1-3/8	35	2-3/8	60	4-1/4	105	3/8	3/8	—	
V-380	6-3/4	171	2-15/16	75	4-7/8	124	5-1/2	140	3/8	10	3/4	19	2-3/8	60	2-1/2	64	1-1/2	38	2-7/8	73	3-7/8	98	3/8	3/8	1-1/4	32

* Max. mounting bolt diameter ** Alternate bolt patterns available. Consult factory. NOTE: Material, Dimensions & Data subject to change without notice • Dimensions ±1/16"

ALL STEEL MODEL 50 PNEUMATIC FLANGE MOUNTED PISTON



- Exhaust Manifolds
- Long Stroke

MODEL 50

- All Steel for Extended Life
- Bolt Isolation Design for Longer Life
- Dual Action - Impacting on Both Up and Down Stroke for Added Force

MODEL 55, PISTON AIR

- One Piece Housing Design
- Economical
- Impacting on Down Stroke

Model 50 and 55 standard impact pistons are the most popular piston series because of their high impact linear force, and efficient energy transfer. This assures the flow of materials through bins, chutes, and weigh batchers; compacts powdered and viscous materials in containers or forms; and activates screens and precipitators.

Exhaust Silencer & Dust-proofer reduces exhaust noise and protects working parts of the vibrator in dusty conditions for lower maintenance and prolonged life. Threaded exhaust is ideal for closed sanitary system.

Model 50-S & 55-S Silent Operating Piston Vibrators are ideal in areas where noise is objectionable because the piston impact is eliminated by a cushion of air at both ends. High thrust oscillatory action permits operation even in low air pressures. Use next larger size when silent units are used in place of impact units.

Model 50-L, extra-long body for high amplitude, high force and lower frequency vibration – best for moving fluffy, low density and wet or sticky materials. Available with Exhaust Silencers. Dustproofers are available for lower maintenance and prolonged life

Model 50-2EP, Extended Piston has a 5/8" stroke and threaded extension for attaching rods or bumpers. Ideal for use on portable tote bins or hoppers.

For greater force, increase piston diameter size - 1", 1-1/4", 1-1/2", 2", 3".

Technical Data - Model 50 & 55

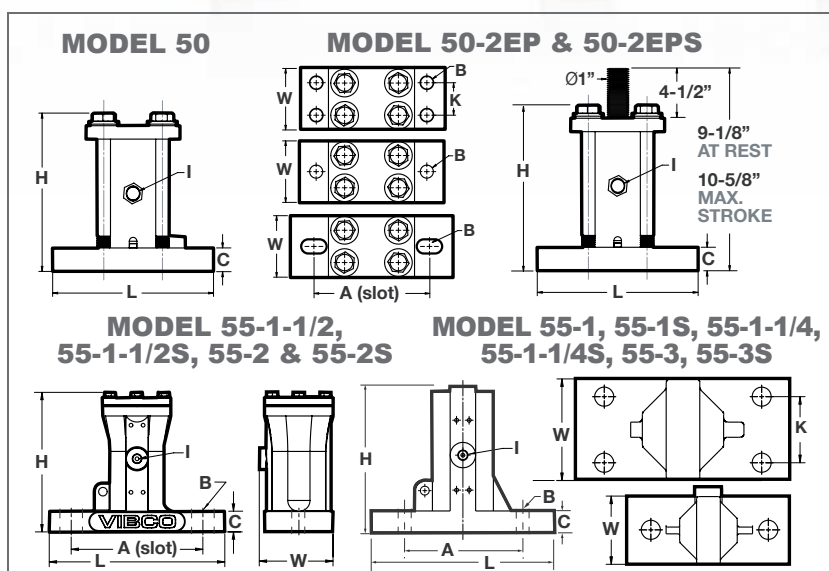
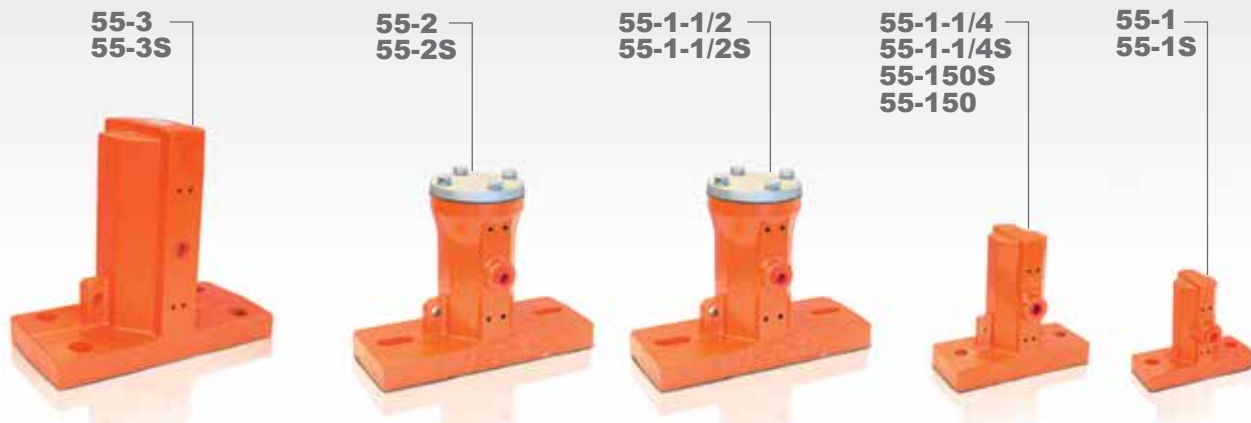
50 & 55 Models	Weight				40 PSI (2.8 Bar)		60 PSI (4 Bar)		80 PSI (5.5 Bar)		Max. Weight* of Material in Bin Slope Area			
	Model 50		Model 55		Vibration per min.	Cubic ft. per min.	Vibration per min.	Cubic ft. per min.	Vibration per min.	Cubic ft. per min.	lbs.		kg.	
	lbs.	kg.	lbs.	kg.							Min.	Max.	Min.	Max.
1	5.0	2.3	3.5	1.6	6,500	3.5	9,000	4.0	11,000	5.0	200	400	90	180
1S**	5.0	2.3	3.5	1.6	3,900	3.5	5,400	4.0	6,500	5.0	100	200	45	90
1-1/4	11.0	5.0	9.0	4.1	4,000	5.0	5,500	7.0	7,000	9.0	400	1,000	180	455
1-1/4S**	10.0	4.5	8.0	3.6	2,400	5.0	3,300	7.0	4,200	9.0	200	400	90	180
55-150	—	—	9.0	4.1	3,600	5.5	4,600	7.5	5,200	9.5	500	2,500	225	1,150
55-150S**	—	—	9.0	4.1	2,400	5.0	2,700	7.0	3,000	9.0	300	700	135	320
1-1/2	17.0	7.7	21.0	9.5	2,800	6.5	4,000	9.0	5,200	11.0	1,000	4,000	455	1,815
1-1/2S**	16.0	7.3	20.0	9.1	1,700	6.5	2,400	9.0	3,200	11.0	400	1,000	180	455
2	23.0	10.4	20.0	9.1	3,200	7.5	4,000	12.0	5,000	15.0	4,000	10,000	1,815	4,535
2S**	23.0	10.4	19.0	8.6	1,950	7.5	2,400	12.0	3,000	15.0	1,000	4,000	455	1,815
2L	26.0	11.8	—	—	1,600	17.0	2,000	26.0	2,400	31.0	8,000	20,000	3,630	9,070
2LS**	25.0	11.3	—	—	950	17.0	1,200	26.0	1,500	31.0	4,000	10,000	1,815	4,535
3	51.0	23.1	45.0	20.4	2,700	18.0	3,200	25.0	3,800	30.0	10,000	30,000	4,535	13,610
3S**	50.0	22.7	44.0	20.0	1,650	18.0	1,950	25.0	2,300	30.0	8,000	20,000	3,630	9,070
3L	62.0	28.1	—	—	1,350	31.0	1,500	42.0	1,700	51.0	20,000	70,000	9,070	31,750
3LS**	61.0	27.7	—	—	800	31.0	900	42.0	1,000	51.0	10,000	30,000	4,535	13,610

* Rule of thumb for sizing: One lb. vibrator force to each 10 lbs. of bin content at 80 PSI

** S indicates Silent, Cushion Impact for quiet operation

NOTE: • Data obtained on laboratory test block
• Frequency and force will vary with quality of air, unit lubrication, and rigidity of mount
• Data subject to design changes

ONE PIECE HOUSING MODEL 55 EXHAUST MANIFOLD - LINEAR FORCE



VIBCO Piston Vibrators provide high impact and efficient energy transfer to ensure a smooth flow of material through bins, chutes, weigh batchers and more.

Dimensions

Model 50	L		W		H		A**		B*		C		I		K	
	in.	mm	in.	mm	in.	mm	in.	mm	in.	mm	in.	mm	NPT	in.	mm	
50-1"	4-1/2	114	2	51	4-9/16	116	3-1/2	89	1/2	13	5/8	16	1/8	-	-	
50-1-1/4"	6	152	2-1/2	64	6-1/2	165	4-1/2	114	1/2	13	3/4	19	1/4	-	-	
50-1-1/2"	7-1/2	190	3	76	7-15/16	202	6	152	3/4	19	3/4	19	1/4	-	-	
50-2"	9	229	3-1/2	89	7-15/16	202	6 to 7-1/2	152 to 191	3/4	19	3/4	19	1/4	-	-	
50-2L"	9	229	3-1/2	89	9-7/16	240	6 to 7-1/2	152 to 191	3/4	19	3/4	19	1/4	-	-	
50-2EP	9	229	3-1/2	89	†	†	6 to 7-1/2	152 to 191	3/4	19	3/4	19	3/8	-	-	
50-3"	10-1/2	267	4-1/2	114	10-1/2	267	8-7/16	214	3/4	19	1	25	1/2	2-1/2	64	
50-3L"	10-1/2	267	4-1/2	114	13-1/2	343	8-7/16	214	3/4	19	1	25	1/2	2-1/2	64	
50-CLE-3L"	10-1/2	267	4-1/2	114	13-1/2	343	8-7/16	214	3/4	19	1	25	1/2	2-1/2	64	
Model 55	L		W		H		A**		B*		C		I		K	
55-1"	4-1/2	114	2	51	3-7/8	98	3-1/2	89	1/2	13	5/8	16	1/8	-	-	
55-1-1/4" & 55-150	6	152	2-1/2	64	5-5/8	143	4-1/2	114	1/2	13	7/8	22	1/4	-	-	
55-1-1/2"	9	229	3-1/2	89	7-1/4	184	6 to 7-1/2	152 to 191	5/8	16	1-1/8	29	1/4	-	-	
55-2"	9	229	3-1/2	89	7-1/4	184	6 to 7-1/2	152 to 191	5/8	16	1-1/8	29	1/4	-	-	
55-3"	10-1/2	267	5	127	9-7/16	240	7-3/4	197	7/8	22	1-1/8	29	3/8	3-1/4	83	

* Max. mounting bolt diameter
† See 50-2EP Diagram

** Range of size indicates slotted mounting holes
Alternate bolt patterns available. Consult factory.

NOTE: • Material, Dimensions & Data subject to change without notice
• Dimensions ±1/16"

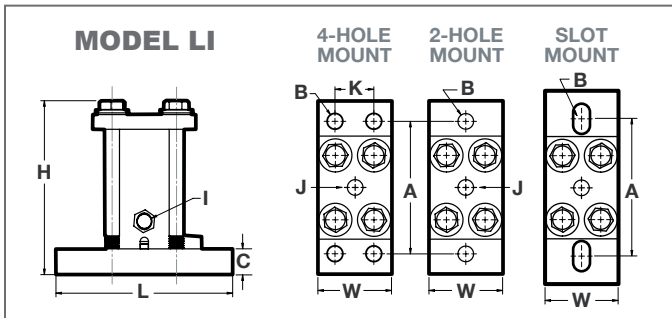
SINGLE IMPACT MODEL LI PNEUMATIC FLANGE MOUNT PISTONS



Model LI is a high energy impactor with adjustable impacts which are controlled through air pressure, a timer and solenoid. Low in operating cost – used to break up material bridges and ratholes in bins, hoppers, chutes, feeders. Units are shipped with plug over NPT Outlet. Remove before using. If needed, piston can be accessed from the top of the unit with removal of 4 nuts. Timer, solenoid, lubricator, hose and recommended muffler sold separately.



The LI Piston is used when an adjustable impact is desired to break up material bridges or ratholes.



Dimensions

Model	PISTON DIA.		L		W		H		A**		B*		C		I	J	K	
	in.	mm	in.	mm	in.	mm	in.	mm	in.	mm	in.	mm	in.	mm	NPT	NPT	in.	mm
LI-10	1-1/4	32	6	152	2-1/2	64	8-9/16	217	4-1/2	114	1/2	13	7/8	22	3/8	3/8	-	-
LI-16	2	51	9	229	3-1/2	89	9-1/4	235	6 to 7-1/2	152	3/4	19	3/4	19	1/2	1/2	-	-
LI-24	3	76	10-1/2	267	4-1/2	114	13-9/16	344	8-7/16	214	3/4	19	1	25	1/2	1/2	2-1/2	64

* Max. mounting bolt diameter

** Available with larger base plate. Range of size indicates slotted mounting holes. Alternate bolt patterns available. Consult factory.

NOTE: • Material, Dimensions & Data subject to change without notice
• Dimensions $\pm 1/16"$
• Engineered dimensional drawings available on request

Technical Data

LI Models	Weight		80 PSI (5.5 Bar)					Max. Weight* of Material in Bin Slope Area	
	lbs.	kg.	Max Pulse Rate per Minute	Cubic Ft. per Stroke	Max. Cubic ft. per Minute	Energy per Impact ft/lbs	Energy per Impact Nm	lbs.	kg.
LI-10	11.8	5.4	200	0.014	2.80	14	19.0	10,000	4,535
LI-16	23.6	10.7	160	0.019	3.04	48	65.1	20,000	9,070
LI-24	57.5	26.1	110	0.049	5.39	98	132.9	60,000	27,215

* Rule of thumb for sizing: One lb. vibrator force to each 10 lbs. of bin content at 80 PSI

NOTE: • Data obtained on laboratory test block
• Frequency and force will vary with quality of air, unit lubrication, and rigidity of mount
• Data subject to design changes

MODEL MP-50, MP-62, MP-75 END MOUNTED MINI PISTONS



- Threaded Inlet & Outlet Holes
- Air Discharge Through Exhaust Manifold
- Quiet, Meets OSHA Standards
- Steel Core Construction for Long Life
- Fits Competitive Brands

The MP Series features a lightweight aluminum body. The steel piston glides in a steel interior cylinder for long life expectancy. The MP line supplies a linear force which is particularly good for small feeder applications.

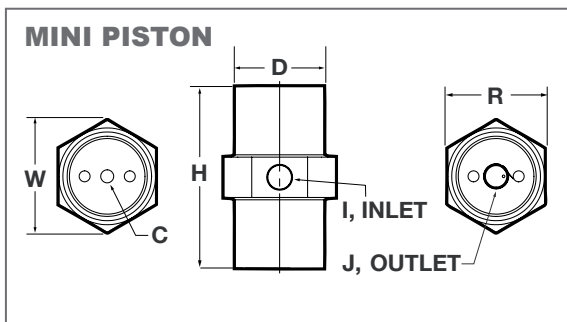
The MP Series is light in weight. It's high force to weight output makes it ideal for all type of applications in chemical and parts feeding industries.

For clean room applications, like in laboratories, the discharge port can be equipped with an air hose leading away exhaust air.

Pressure as low as 20-30 psi will operate the piston. MP units can operate in any position.

Mini Pistons require lubrication for long life.

With it's high force to weight output, an MP unit is perfect for small hoppers (shown right) as well as bins and feeders.



Technical Data

Model	Weight		30 PSI (2 Bar)		60 PSI (4 Bar)		90 PSI (6.2 Bar)		Sound*
	lbs.	kg.	Vibration /min.	Cubic ft./min.	Vibration /min.	Cubic ft./min.	Vibration /min.	Cubic ft./min.	
MP-50	0.75	0.34	4000	0.02	5400	0.14	6400	0.65	50
MP-62	1.00	0.45	3400	0.15	4500	0.98	5500	1.75	55
MP-75	1.50	0.68	2600	0.20	3300	1.75	4000	3.00	65

* Decibel from A-scale at 1 meter and 90 PSI
 NOTE: • Data obtained on laboratory test block
 • Frequency and force will vary with quality of air, unit lubrication, and rigidity of mount
 • Data subject to design changes

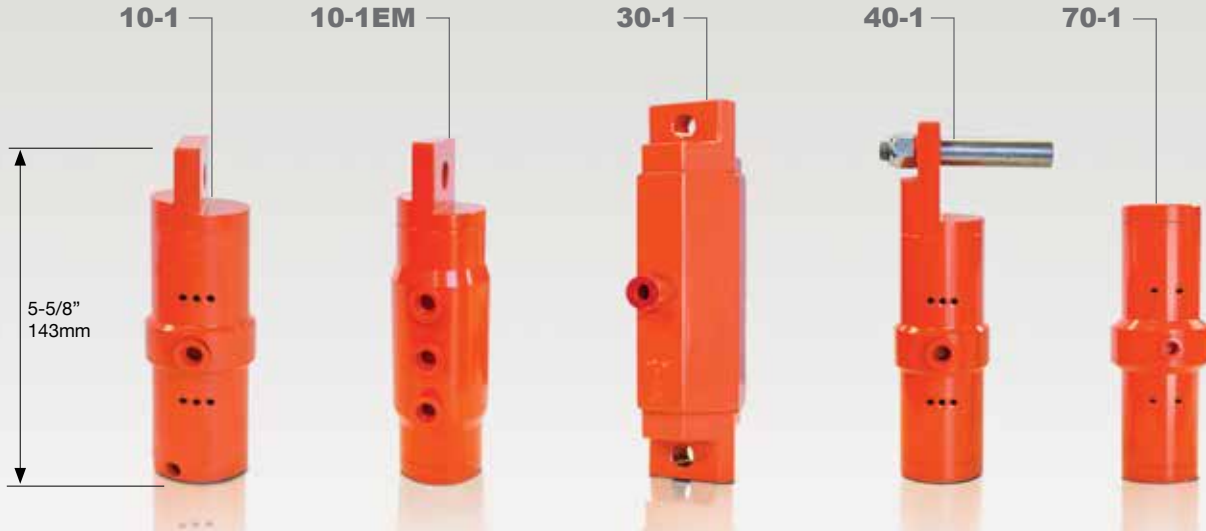
Dimensions

Model	PISTON DIAMETER		H		H (S)**		H (L)**		D		R		W		C		I	J*
	in.	mm	in.	mm	in.	mm	in.	mm	in.	mm	in.	mm	in.	mm	SAE	mm	NPT	NPT
			LENGTH	LENGTH	LENGTH	LENGTH	LENGTH	LENGTH	DIAMETER	HEX	WIDTH	WIDTH	WIDTH	WIDTH	MOUNT			
MP-50	1/2	13	3-3/16	81	2-13/16	71	3-11/16	94	1-3/8	35	1-1/2	38	1-3/4	44	1/4" - 20	Metric threads available, consult VIBCO	1/8	1/4
MP-62	5/8	16	3-11/16	94	3-3/16	81	4-5/16	109	1-9/16	40	1-3/4	44	2	51	3/8" - 16		1/8	1/4
MP-75	3/4	19	4-9/16	116	3-7/8	98	5-5/16	135	1-7/8	48	2	51	2-5/16	59	1/2" - 13		1/8	1/4

* Contact VIBCO for thread options. Metric threads available.
 ** These units can also be supplied on special order with small length H(S) or longer H(L). Consult factory.

NOTE: • Material, Dimensions & Data subject to change without notice
 • Dimensions ±1/16"
 • Engineered dimensional drawings available on request

PNEUMATIC END MOUNTED PISTON VIBRATOR



MODEL 10 END MOUNTED PISTON VIBRATOR: Single attaching head is the basic unit for foundry match plate applications. Available in 5/8, 3/4, 1, 1-1/4, & 1-1/2" piston diameter.

MODEL 30 END MOUNTED PISTON VIBRATOR: Double attaching head for core box machines and applications needing more vibration transfer.

MODEL 40 END MOUNTED PISTON VIBRATOR: Stud head vibrator ideal for easy movability on small concrete forms or bins.

MODEL 44 WEDGE HEAD VIBRATOR: Railroad carshakers have wedge bracket to fit railroad car's female "dove-tail" bracket. Available in 3". See page 56 and 57 for additional Railroad Carshakers.

MODEL 70 END TAPPED VIBRATOR: End tapped with SAE or Metric Thread for attaching to threaded rod or stud. Model 70 can be supplied in many variations; silent (air cushioned) or impacting (piston hitting end cap) with exhaust port for attaching a muffler or air hose to lead off exhausting air. The all-steel construction assures a long life. Model 70 is an inexpensive solution for moving material in small bins and hoppers as well as screens and small feeders. Force and frequency will vary with air pressure. To order, specify SAE or Metric thread; S is for Silent Units and EM is for Exhaust Manifold if required.

MODEL 80: END MOUNTED PISTON VIBRATOR - "BIG RED": The new revolutionary lightweight all-steel design makes it the most inexpensive unit for the big bin or hopper job, without sacrificing the quality of

the more expensive flange mounted units. The single bolt attachment makes them easy and fast to install. The "BIG RED" is supplied either with a silent (air cushioned) piston or the more powerful impacting (piston hitting end cap) standard unit.

O-rings cover the air exhaust holes keeping dust and dirt out of the piston-cylinder avoiding scoring and damage to piston and cylinder walls and allowing the units to operate in the worst environments. There are four basic models with piston sizes of 1", 1-1/4", 1-1/2" and 2". For smaller sizes see Model 70. An optional eye bolt for a safety chain can be added to unit's top.

Exhaust Manifolds are available on most units. Consult with VIBCO Engineering for more information.

Technical Data

All pneumatic piston vibrators require lubricated air for proper operation and long life.

Piston Dia.	40 PSI (2.8 Bar)		60 PSI (4 Bar)		80 PSI (5.5 Bar)		Max. Weight* of Material in Bin Slope Area			
	Vibration/min.	Cubic ft./min.	Vibration/min.	Cubic ft./min.	Vibration/min.	Cubic ft./min.	lbs.		kg.	
	VPM	CFM	VPM	CFM	VPM	CFM	Min.	Max.	Min.	Max.
5/8	9,500	2.5	12,000	3.0	14,500	4.5	0	100	0	45
3/4	7,500	3.0	10,500	3.5	13,000	5.0	100	200	45	90
1	6,500	3.5	9,000	4.0	11,000	5.0	200	400	90	180
1S**	3,900	3.5	5,400	4.0	6,500	5.0	100	200	45	90
1-1/4	4,000	5.0	5,500	7.0	7,000	9.0	400	1,000	180	455
1-1/4S**	2,400	5.0	3,300	7.0	4,200	9.0	200	400	90	180
1-1/2	2,800	6.5	4,000	9.0	5,200	11.0	1,000	4,000	455	1,815
1-1/2S**	1,700	6.5	2,400	9.0	3,200	11.0	400	1,000	180	455
2	3,200	7.5	4,000	12.0	5,000	15.0	4,000	10,000	1,815	4,535
2S**	1,950	7.5	2,400	12.0	3,000	15.0	1,000	4,000	455	1,815
2L	1,600	17.5	2,000	26.0	2,400	31.0	8,000	20,000	3,630	9,070
2LS**	950	17.5	1,200	26.0	1,500	31.0	4,000	10,000	1,815	4,535
3	2,700	18.0	3,200	25.0	3,800	30.0	10,000	30,000	4,535	13,610
3S	1,650	18.0	1,950	25.0	2,300	30.0	8,000	20,000	3,630	9,070

* Rule of thumb for sizing: One lb. vibrator force to each 10 lbs. of bin content at 80 PSI
 ** S indicates Silent, Cushion Impact for quiet operation

NOTE: • Data obtained on laboratory test block
 • Frequency and force will vary with quality of air, unit lubrication, and rigidity of mount
 • Data subject to design changes

MODELS 10, 30, 40, 70, 80 ROUND & HEX HOUSINGS



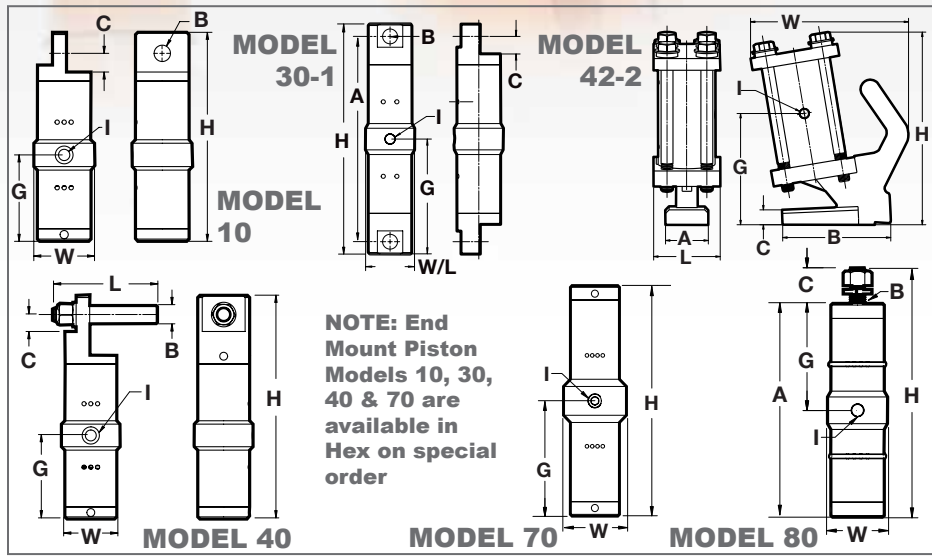
80-2



44-3



42-2



Vibrators used in tandem. All pneumatic piston vibrators require lubricated air for proper operation and long life. Low draw units like these 70-1's can share an air line and still run effectively.

Dimensions

Model	Weight		L		W		H		A		B*		C		G		I		J	
	lbs.	kg.	in.	mm	in.	mm	in.	mm	in.	mm	in.	mm	in.	mm	in.	mm	NPT	NPT		
80 - 1	2.1	1.0	1-5/8	41	1-5/8	41	5-7/8	149	-	-	1/2-20 SAE	-	1-1/4	32	2-5/16	59	1/8	-		
80 - 1-1/4	5.5	2.5	2-1/4	57	2-1/4	57	9-3/8	238	-	-	3/8-16 SAE	-	1-5/16	33	4	102	1/4	-		
80 - 1-1/2	3.8	1.7	2-1/4	57	2-1/4	57	9-5/16	237	-	-	5/8-18 SAE	-	1-5/16	33	4	102	1/4	-		
80 - 2	7.8	3.5	2-1/4	57	2-1/4	57	9-5/16	237	-	-	7/8-15 SAE	-	1-3/8	35	4	102	1/4	-		
70 - 5/8	1.2	0.5	1-5/16	33	1-1/8	29	4-3/4	120	-	-	5/16-24 SAE	-	3/4	19	2-3/8	60	1/8	1/4**		
70 - 3/4	1.8	0.8	1-5/8	41	1-3/8	35	4-3/4	120	-	-	3/8-24 SAE	-	7/8	22	2-3/8	60	1/8	1/4**		
70 - 1	2.0	0.9	1-5/8	41	1-5/8	41	4-5/8	117	-	-	1/2-20 SAE	-	5/8	16	2-3/8	60	1/8	1/4**		
70 - 1-1/4	5.4	2.5	2-1/4	57	2-1/4	57	8	203	-	-	1/2-20 SAE	-	5/8	16	4	102	1/4	1/4**		
44-3	57.1	25.9	6	152	10	254	13	330	6	152	-	-	1	25	7-1/2	191	1/2	-		
42-2	27.1	12.3	3-1/2	89	8-3/8	213	11-1/2	292	2-1/4	57	-	-	3/4	19	6-15/16	177	1/4	-		
40 - 1	1.9	0.9	2-7/8	73	1-5/8	41	6-3/16	157	-	-	1/2	13	7/16	11	2-5/16	59	1/8	-		
40 - 1-1/4	6.7	3.0	6	152	2-1/4	57	9-1/2	241	-	-	1	25	7/8	22	4	102	1/4	-		
30 - 5/8	1.5	0.7	1-1/4	32	1-1/8	29	6-5/16	160	5-3/8	137	5/16	8	1/2	12	3-1/8	79	1/8	-		
30 - 3/4	2.2	1.0	1-1/4	32	1-1/4	32	6-5/16	160	5-3/8	136	3/8	10	1/2	12	3-3/16	81	1/8	-		
30 - 1	2.3	1.0	1-7/8	48	1-5/8	41	6-9/16	167	5-3/8	162	3/8	10	1/2	12	3-1/4	83	1/8	-		
30 - 1-1/4	6.2	2.8	2-5/16	59	2-1/4	57	10-1/2	267	9-1/8	232	1/2	13	3/4	19	5-1/4	133	1/4	-		
30 - 1-1/2	7.5	3.4	2-1/4	57	2-1/4	57	11-3/8	289	9-1/2	241	5/8	16	7/8	22	5-3/8	137	1/4	-		
10 - 5/8	1.4	0.6	1-5/16	33	1-1/4	32	5-1/2	140	-	-	5/16	8	1/2	12	-	-	1/8	-		
10 - 3/4	2.1	1.0	1-5/8	41	1-5/8	41	5-1/2	140	-	-	3/8	10	1/2	12	-	-	1/8	-		
10 - 1	2.1	1.0	1-7/8	48	1-7/8	48	5-5/8	143	-	-	3/8	10	1/2	12	-	-	1/8	-		
10 - 1-1/4	5.8	2.6	2-5/16	59	2-5/16	59	9-1/4	235	-	-	1/2	13	11/16	18	-	-	1/4	-		
10 - 1-1/2	7.0	3.2	2-15/16	75	2-1/2	64	9-11/16	246	-	-	5/8	16	7/8	22	-	-	1/4	-		

* Max. mounting bolt diameter ** For EM Models Only NOTE: Material, Dimensions & Data subject to change without notice • Dimensions ±1/16"

HIGH FREQUENCY PNEUMATIC CONVENTIONAL MODELS SVR, SVRF



- Can be Designed to Start in Any Position
- High Frequency, High Force
- Patented Silent Design
- Patented “Air Saver” Chamber
- Patented Wear Plates

Vibco features two models: The “SILENT” and a “conventional” High Frequency Pneumatic Vibrator.”

HOW IT WORKS - A rotor spins around the shaft in the Conventional model or spins freely and silently in a circular race in the Silent Models. Additional muffler pads in the outer End Cover dampen the noise of the exhausting air.

CONVENTIONAL SVR Units are simple in design and low cost with a dB reading of 95 to 110. **SILENT SVRS** units perform with a dB reading of 80-85.

VIBCO Patented designs feature;

1. Will start **EVERY TIME** by just cracking the air line valve open. No blast of air is necessary.
2. The Patented **WEAR PLATE** between rotor and end cover is made out of spring steel and will not wear, assuring a long maintenance free operation, avoiding costly end cover repairs.



The SVRL Units shown here are being used to strengthen a concrete retaining wall. The Lug Bracket also shown, makes it an ideal solution for portability.

3. The Patented **AIR SAVER CHAMBER** does not exhaust all the compressed air before the next cycle which lowers the units air consumption.

Ask for Catalog #0103 External Walls and Columns or Catalog #8401 Handbook & Equipment Guide External Concrete Vibration.

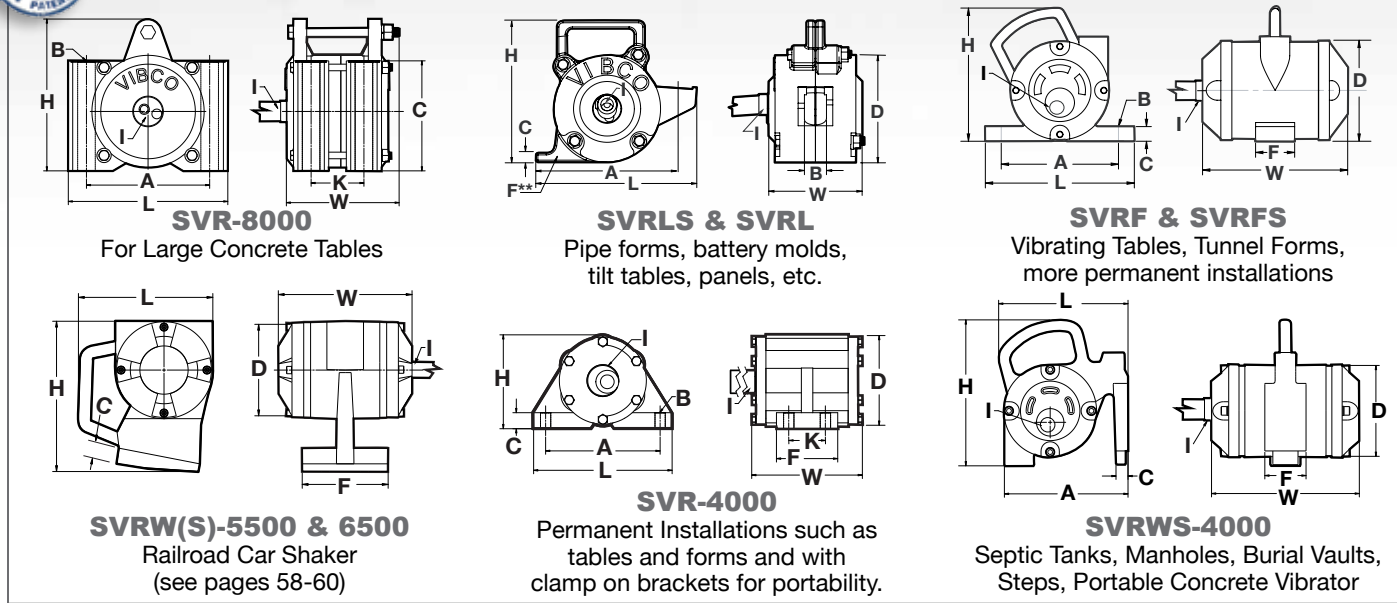
Technical Data

Model	Weight		80 PSI (5.5 Bar)			90 PSI (6.2 Bar)			100 PSI (6.9 Bar)			Cubic ft. /min.	Sound*
			Vibration /min.	Centrifugal Force		Vibration /min.	Centrifugal Force		Vibration /min.	Centrifugal Force			
	lbs.	kg.	VPM	lbs.	Newtons	VPM	lbs.	Newtons	VPM	lbs.	Newtons	CFM	dB
SVRFS-2000 SVRWS-2000	19 20	8.62 9.07	11,500	3,600	16,000	12,500	4,000	17,800	13,500	4,400	19,500	40	78
SVRFS & LS-4000 SVR-4000	22 23	10.0 10.4	11,500	3,600	16,000	12,500	4,000	17,800	13,500	4,400	19,500	40	78 90
SVRLS-5500 SRL-5500	43 33	19.5 15.0	9,000	4,950	22,000	10,000	5,500	24,500	10,500	6,100	27,100	56	78 82
SVRLS-6500 SRL-6500	45 39	20.4 17.8	8,800	5,575	24,800	9,500	6,500	28,900	10,000	7,200	32,000	58	80 98
SVRLS-8000 SVR-8000	47 51	21.3 23.1	8,500	7,625	33,900	8,700	8,000	35,600	9,500	9,550	42,500	62	82 98
SVRWS-4000	23	10.4	11,500	3,600	16,000	12,500	4,000	17,800	13,500	4,400	19,500	40	78
SVRWS-5500	60	27.5	10,000	4,950	22,000	10,000	5,500	24,500	10,500	6,100	27,100	56	82
SVRWS-6500	61	28.0	8,800	5,545	24,800	9,500	6,500	28,900	10,000	7,200	32,000	58	85

* Decibel from A-scale at 1 meter and 90 PSI.

NOTE: • Data obtained on laboratory test block
• Frequency and force will vary with quality of air, unit lubrication, and rigidity of mount
• Data subject to design changes

SILENT MODELS SVRS SVRFS, SVRLS, SVRWS



Dimensions

Model	L		W		H		A		B*		C		D		F**		K		I SAE
	in.	mm	in.	mm	in.	mm	in.	mm	in.	mm	in.	mm	in.	mm	in.	mm	in.	mm	
SVR-4000	7-1/2	191	6-1/8	156	5	127	6-1/4	159	1/2	12	7/8	22	4-7/8	124	3-7/16	87	2	51	5/8-18
SVR-5500	7	178	6-1/16	154	7-3/8	187	7	178	-	-	3/4	19	5-3/8	137	3-1/2	89	-	-	5/8-18
SVRL-5500, 6500	9-1/2	241	6-1/8	156	9-1/4	235	8	203	1	25	3/4	19	6-1/2	165	1-1/4	32	-	-	5/8-18
SVRF-5500	10-1/4	260	6-1/8	156	8-1/8	206	8	203	3/4	19	1-1/8	29	5-3/8	137	3-1/4	83	-	-	5/8-18
SVR-8000	9-3/8	238	6-3/8	162	9	229	7	178	3/4	19	6-1/2	165	-	-	3-1/8	79	3-1/2	89	5/8-18
SVRFS-2000, -4000	7-11/16	195	7-3/8	187	7-1/8	181	6	152	11/16	17	3/4	19	5-1/8	130	2-1/16	52	-	-	5/8-18
SVRLS-2000, -4000	7	178	8	203	7-1/2	190	6	152	3/4	19	1/2	13	5	127	1-1/4	32	-	-	5/8-18
SVRLS-5500, 6500, 8000	9-1/2	241	8-1/16	205	9-1/4	235	7-3/4	197	1	25	3/4	19	6-3/8	162	1-1/4	32	-	-	5/8-18
SVRWS-4000	7-3/4	197	8-1/16	205	6-7/8	175	5-1/8	130	-	-	1	25	5-1/8	130	2-3/16	56	-	-	5/8-18
SVRW(S)-5500, 6500 Rail Road Car Shaker	8-5/8	219	8-5/8	219	9-7/8	251	11	279	-	-	1-1/8	29	6-1/8	156	5-1/2	140	-	-	5/8-18

* Max. mounting bolt diameter
** Foot width

NOTE: • Material, Dimensions & Data subject to change without notice
• Dimensions ±1/16"
• All units use a 3/4" hose with 5/8-18 SAE threads supplied by VIBCO

HIGH FREQUENCY MODEL SVRX PNEUMATIC CONCRETE FORM VIBRATORS



- **Low Cost**
- **Fits Every Concrete Form System on the Market Today**
- **Light in Weight and Easy to Move from Form to Form or Job Site to Job Site**
- **Starts Every Time**
- **Patented Wear Plates for Long Life**

MODEL SVRX comes with mounting bracket to be welded onto the customers MEVA, PERI, DOKA form brackets or welded on permanently to form stiffeners. The SVRX was designed to fit any form bracket used by the form manufacturer. It is light weight and made an integral part of the bracket and is easy to move from position to position on the form. Their low cost makes them affordable to be permanently mounted on the form eliminating someone continually having to move them. The patented "Start every time" feature makes the unit start by just cracking the air valve. Other units on the market require a blast of air for starting. The patented "Wear plate design" assures the unit of long, maintenance free life and eliminates costly end plate repairs.

Ask for
Catalog
#0103

Ask for
VIBCO's
Concrete
Handbook

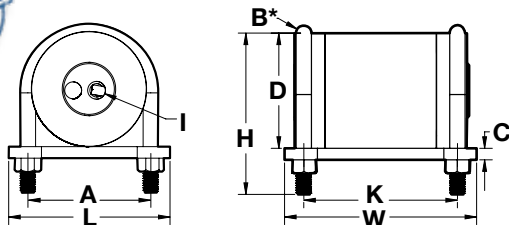


VIBCO's standard SVRX-4000 provides up to 8" of vibration penetration at 9-11000 VPM. Using 80 to 120 PSI air pressure, the SVRX 4000 produces 4000 lbs. of force. Lubrication is necessary for long life. Ask about VIBCO's in-line lubricators.

Technical Data

Model	Weight		80 PSI (5.5 Bar)		100 PSI (6.9 Bar)		120 PSI (6.2 Bar)		Centrifugal Force	
	lbs.	kg.	VPM	CFM	VPM	CFM	VPM	CFM	lbs.	Newtons
SVRX-4000	19	8.6	9,000	28	10,000	32	11,000	38	4,000	17,800

NOTE: • Data obtained on laboratory test block • Data subject to design changes
• Frequency and force will vary with quality of air, unit lubrication, and rigidity of mount



Dimensions (bracket included)

Model	L		W		H		A		B*		C		D		K		Inlet I
	in.	mm	in.	mm	in.	mm	in.	mm	in.	mm	in.	mm	in.	mm	in.	mm	SAE
SVRX-4000	5-1/4	133	6-1/4	159	5-1/4	133	4	102	1/2	13	3/8	10	3-3/4	95	5	127	5/8-18

* Bolt Size - SAE 1/2-13

NOTE: • Material, Dimensions & Data subject to change without notice
• Dimensions ±1/16"

HIGH FREQUENCY MODEL SVR ON THE JOB APPLICATIONS



VIBCO Vibrators are right at home in concrete applications whether it be for columns, walls, slabs, foundations, or precast. Below, our **Model SVRFS** (page 30-31) with **Stik-It™ Mount** (page 65) is being used for bridge repair in RI, and at left, mounted onto a concrete column form. Above, our **SVRWS** (page 30-31) is being used with a **UWF bracket** for excellent transfer of vibration. VIBCO has brackets that will work well with any concrete form including wood.



VIBCO PNEUMATIC & HYDRAULIC FORCES TO 3500 LBS.



- Air & Hydraulic
- Forces to 3500 lbs.
- Continuous Duty

- Speeds from 5600 to 9000 VPM
- Adjustable Speed
- Foot & Clamp Mount

HYDRAULIC & PNEUMATIC

PF-3500 & BIG BUSTER PC-3500 (Pneumatic), **HF-3500 & HC-3500** (Hydraulic)

A patented vibration isolating coupling is mounted between the eccentric shaft and the motor drive shaft eliminating any vibration transfer through the shaft. Another vibration isolating coupling is connected between the vibrator housing and the motor housing eliminating all vibration transfer.

Advantages - With this unique patented design, premature failure of the drive unit is eliminated, and the full life can be expected, which will drastically add to the unit life and eliminate costly shutdowns and maintenance costs. The unit can now truly be used continuously which is the BIG advantage over competitive units.

General Features - Big Buster vibrators provide high force at low frequency. They are designed for continuous duty. All models are available in pneumatic or hydraulic drive. Big Buster units are designed with sealed bearings. Airline lubrication is required for the air motor vanes.

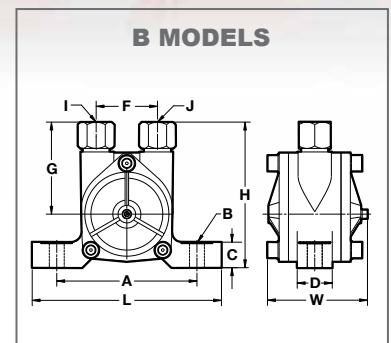
Where to Use? - These units are ideal for the toughest applications from unloading railroad cars to moving materials in bins and hoppers. Precise speed control allows "tuning" of the vibrator for best results in any application. Big Busters are available in clamp on base for portability and bolt-on base for permanent mounting.

HYDRAULIC - VIBCO's hydraulic vibrators operate in any position and are not affected by dirty, muddy or wet locations. They can operate on pressures up to 3000 PSI making them ideal to use with construction equipment for a variety of applications.

MODEL HLF & HL (Hydraulic) The small version of the Big Buster HF-Units are equipped with an internal coupling to maximize the life of the hydraulic motor. These small and powerful high speed 9000 RPM vibrators offer an inexpensive

solution to many material handling problems. HL 3000 same design as the HF - fits LC-1 Lug Bracket. Creates 3000 lbs. force at 7000 RPM - ideal for concrete applications.

MODEL B - PATENTED (Hydraulic) In VIBCO's patented design, hydraulic fluid under pressure drives a specially designed & patented turbine wheel producing high frequency vibration with noise levels as low as 60-62 dB at maximum speed. A real low cost unit ideal for O.E.M equipment.



Technical Data

Pneumatic Models	Weight		60 PSI (4 Bar)			
			Vibration per min.	Cubic ft. per min.	Centrifugal Force	
	lbs.	kg.	VPM	CFM	lbs.	Newtons
PF-800	37	17.0	4,000	11	800	3,560
PF-1200	38	17.4	3,500	21	1,200	5,340
PF-1500	60	27.0	3,500	31	1,500	6,670
PF-PC-3500	71	32.0	3,500	39	3,500	15,570
PLF-3500	40	18.1	5,400	45	5,600	17,000

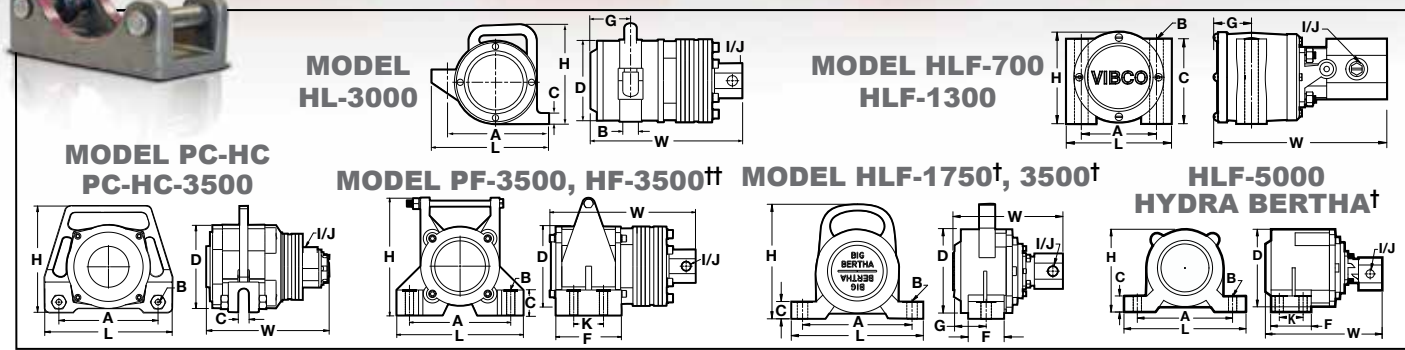
NOTE: Data obtained on laboratory test block • Data subject to design changes • Frequency & force will vary with air quality, unit lubrication, & mount rigidity

Hydraulic Models	Weight		600 PSI (41.4 Bar)			800 PSI (55.2 Bar)			1000 PSI (69 Bar)		
			Vibration /min.	Gallon /min.	Centrifugal Force	Vibration /min.	Gallon /min.	Centrifugal Force	Vibration /min.	Gallon /min.	Centrifugal Force
	lbs.	kg.	max VPM	GPM	lbs. Newtons	max VPM	GPM	lbs. Newtons	max VPM	GPM	lbs. Newtons
B-190	1.0	0.45	4,600	4.5	190 890	6,100	4.8	330 80	7,400	6.5	286 1,272
B-250	2.0	0.91	4,200	4.5	280 1,245	5,000	4.5	400 1,765	5,800	6.5	535 2,375
B-320	3.5	1.60	3,700	5.0	300 1,340	4,500	6.0	445 1,980	5,300	7.0	615 2,745

Hydraulic Models	Weight		Avg. Pressure	Vibration/min.	Gallon/min.	Centrifugal Force		Sound*
	lbs.	kg.	PSI	max VPM	GPM	lbs.	Newtons	
HF-800	37	17.0	600	5,000	3.2	1,300	5,785	72
HF-1200	38	17.4	800	4,500	2.9	1,900	8,450	74
HF-1500	39	17.7	900	4,000	2.6	2,000	8,900	76
HF-HC-3500	51	23.0	1,200	3,500	2.4	3,500	15,570	80
HL-3000	39	17.7	1,000	5,000	3.2	3,400	15,125	76
HLF-700	14	6.5	900	9,000	2.8	700	3,115	72
HLF-1300	20	9.0	1,000	9,000	2.8	1,300	5,785	72
HLF-1750	30	14.0	1,000	5,000	2.6	2,300	10,230	72
HLF-3500	35	16.0	1,200	4,000	2.5	3,500	15,570	72
HLF-5000	41	18.6	1,500	4,000	2.5	4,500	20,020	72

* Decibel from A-scale at 1 meter & avg. PSI (or max. listed value) NOTE: • Data obtained on laboratory test block • Data subject to design changes • Frequency & force will decrease on less rigid mount • Max pressure 3,000 PSI

MODEL B, HL, PF, PLF, PC, HLF, HF, HC



Dimensions

I* (inlet) & J* (exhaust)

Model	L		W		H		A		B*		C		D		F		G		I* & J*		K	
	in.	mm	in.	mm	in.	mm	in.	mm	in.	mm	in.	mm	in.	mm	in.	mm	in.	mm	NPT	in.	mm	
PF-800, 1200, 1500	10-3/8	264	11-1/4	286	8-3/4	222	8-1/2	216	3/4	19	1-3/8	35	6-1/2	165	2-13/16	71	8-1/2	216	1/2	-	-	
PF-3500	10-3/4	273	12-5/8	321	9-1/4	235	8-1/2	216	5/8	16	1-3/8	35	6-5/8	168	4-1/8	105	-	-	1/2	2-1/2	64	
PC-3500	12-1/2	318	12-1/4	311	10-3/4	273	10	254	1-1/4	32	1-3/16	30	6-1/2	165	-	-	-	-	1/2	-	-	
PLF-3500	10-3/8	264	9-1/2	241	8-3/4	223	8-1/2	216	3/4	19	1-3/8	35	6-1/2	165	2-13/16	71	5-3/8	137	-	-	-	

* Max. mounting bolt diameter † See page 45 for more information on Big Bertha units.
 †† PF, HF-800, -1200, & -1500 use compression rings not shown in dimensional drawings. NOTE: Material, dimensions and data subject to change without notice • Dimensions ±1/16"

Model	L		W		H		A		B*		C		D		F		G		I* & J*		K	
	in.	mm	in.	mm	in.	mm	in.	mm	in.	mm	in.	mm	in.	mm	in.	mm	in.	mm	NPT	in.	mm	
B-190	5-1/4	133	3-1/8	79	4-5/8	117	4	102	3/8	104	3/4	19	2-1/2	64	1-13/16	46	3	76	3/8	-	-	
B-250	6-3/4	171	3-5/8	92	5-3/8	137	5	127	1/2	13	1	25	3	76	2-1/4	57	3-3/8	86	1/2	-	-	
B-320	6-7/8	175	3-5/8	92	5-7/8	149	5	127	1/2	13	1-1/8	29	3-1/2	89	2-5/8	67	3-5/8	92	1/2	-	-	

* Max. mounting bolt diameter † See page 45 for more information on Big Bertha units. NOTE: Material, dimensions and data subject to change without notice • Dimensions ±1/16"

Model	L		W		H		A		B*		C		D		F		G		I* & J*		K	
	in.	mm	in.	mm	in.	mm	in.	mm	in.	mm	in.	mm	in.	mm	in.	mm	in.	mm	SAE	in.	mm	
HF-800, 1200, 1500	10-3/8	264	11-1/4	286	8-3/4	222	8-1/2	216	3/4	19	1-3/8	35	6-1/2	165	2-13/16	71	8-1/2	216	3/4-16	-	-	
HF-3500	10-3/4	273	12-5/8	321	9-1/4	235	8-1/2	216	5/8	16	1-3/8	35	6-5/8	168	4-1/8	105	-	-	3/4-16	2-1/2	64	
HC-3500	12-1/2	318	12-1/4	311	10-3/4	273	10	254	1-1/4	32	1-3/16	30	6-1/2	165	-	-	-	-	3/4-16	-	-	
HLF-700	5	127	7	178	4-1/2	114	3-1/2	89	1/2	13	3-7/8	98	-	-	-	-	2-1/2	64	9/16-18	-	-	
HLF-1300	5-3/4	146	7-5/8	194	5	127	4-1/2	114	1/2	13	5	127	-	-	-	-	2-1/2	64	9/16-18	-	-	
HL-3000	9-1/2	241	11-1/4	286	9-1/4	235	7-3/4	197	1	25	3/4	19	6-1/4	159	-	-	3-1/8	79	3/4-16	-	-	
HLF-1750 †	10-1/4	260	8-9/16	217	9	229	8-1/2	216	3/4	19	1-3/8	35	6-1/2	165	2-13/16	71	5-3/8	137	3/4-16	-	-	
HLF-3500 †	10-1/4	260	8-9/16	217	9	229	8-1/2	216	3/4	19	1-3/8	35	6-1/2	165	2-13/16	71	5-3/8	137	3/4-16	-	-	
HLF-5000 †	10-1/4	260	8-9/16	217	7	178	8	203	3/4	19	1-3/8	35	6-1/2	165	3-5/8	92	-	-	3/4-16	2	51	

* Max. mounting bolt diameter † See page 45 for more information on Big Bertha units.
 †† PF, HF-800, -1200, & -1500 use compression rings not shown in dimensional drawings. NOTE: Material, Dimensions & Data subject to change without notice • Dimensions ±1/16"

ELECTRIC VIBRATORS ON THE JOB APPLICATIONS



A hopper of sand flows seamlessly onto a conveyor belt with a shake from a **US-450** vibrator (see page 46-47). Vibco recommends you follow their manuals (which are put into the box with each order) for proper mounting or consult the factory and use our VVV, Virtual Van Visit™, and mount it right!



SPR unit (page 40-41) with a Stik-It™ portable vacuum mount does an effective and clean job in keeping the contents of this hopper moving.



A **SCR** unit (page 38-39) installed on this hopper offers adjustable speed and force with heavy duty and continuous operation.



Several **Model 2PX** explosion proof units (page 52) are used on these twin surge bins.

ELECTRIC VIBRATOR SECTION

ADJUSTABLE SPEED & FORCEpages 38-39



- ▶ **SCR-1000** Handles up to 10,000 lbs. in bin slope area
- ▶ **SCR-500** 500 maximum centrifugal force
- ▶ **SCR-400** 400 maximum centrifugal force
- ▶ **SCRW-400** Watertight, 400 maximum centrifugal force
- ▶ **SCR-300** 300 maximum centrifugal force
- ▶ **SCR-200** The SCR-100, -200 & -300 are rated 68 dB
- ▶ **SCR-100** 100 maximum centrifugal force
- ▶ **SCR-60** -AL Aluminum, -CI Cast Iron, -PL Plastic, Watertight
- ▶ **SCR-50** Weights just 8 lbs., 50 lbs. maximum centrifugal force

SMALL IMPACT MODEL SPR, SPRT & SPWTpages 40-41



- ▶ **SPR** Fan Cooled - Available in a Heavy Duty (HD) Model
- ▶ **SPRT** Totally Enclosed
- ▶ **SPWT** Watertight

HEAVY DUTY ELECTRIC, ADJUSTABLE ECCENTRICSpages 42-45



- ▶ **2P Series** 3600 Vibrations per minute, max force 5,600 lbs
- ▶ **4P Series** 1800 Vibrations per minute, max force 10,000 lbs
- ▶ **6P Series** 1200 Vibrations per minute, max force 4,500 lbs
- ▶ **8P Series** 900 Vibrations per minute, max force 2,500 lbs

ADJUSTABLE SPEED & FORCE - MODEL US & DC.....pages 46-47



- ▶ **US Series** 115 Volt Plug In
- ▶ **DC Series** 12 Volt Battery

BIG BERTHA DUMP TRUCK VIBRATORpages 48-50



- ▶ **Big Bertha** DC-3500, Electric Model
- ▶ **XL Bertha** DC-5000, Electric Model
- ▶ **Hydra Bertha** HLF-1750, HLF-3500, HLF-5000, Hydraulic Models
- ▶ **Air Bertha** 55-2, 55-3 Pneumatic Models

HEAVY DUTY SMALL IMPACT MODEL SFC..... page 51

EXPLOSION PROOF MODELS 2PX, 4PX, FOR HAZARDOUS LOCATIONS page 52

CORROSIVE ENVIRONMENT ELECTRIC MODEL CE..... page 53

HEAVY DUTY ELECTRICAL ADJUSTABLE SPEED & FORCE



- Adjustable Force
- Easy Speed Dial Control
- Totally Enclosed, Quiet Electric Motor
- Heavy Duty Vibrator
- 0-4000 RPM
- 115-Volt Plug-In

Another first by VIBCO – A noiseless, heavy duty electric vibrator that can be force and speed adjusted while running. Unlike old-fashioned, noisy electro-magnetic vibrators, this newly developed silent motor vibrator can meet even the most stringent anti-noise pollution requirement.

MODEL SCR consists of a rugged, permanent magnet DC motor, and SCR control, which is composed of a solid state, full wave rectifier and overload protection. The control is mounted on the cord and plugs into standard 115-volt AC current. Also available is a 230 volt model. No special wiring or circuitry is needed. Accurate and reliable performances throughout the full speed range. Totally enclosed, non-vented housing makes the **SCR ideal for use inside or outside in dusty or wet locations**. Easy to adjust eccentric settings give additional adjustability. SCR units are not continuous duty rated at maximum eccentric setting.

Ask for
Catalog
#0104
Electric
Vibrators



Above: SCR Units are ideal for bins, chutes, packaging, screening, and test tables in rugged conditions, however a Model SCR-60 can also be used with a force and frequency gentle enough to separate egg sizes without scrambling them.

Technical Data

Model	Weight***		Max. Centrifugal Force		Electric Motor Specs.			Vibrations per Minute				Sound*	Max. Weight** of Material in Bin Slope Area	
	lbs.	kg.	lbs.	Newtons	Volt †	Amp.	Phase	Cont. Duty		Int. Duty			Min.	Max.
SCR-50	8	3.6	50	220	115/230	1.3	1	950	2,500	2,500	4,000	71	500	230
SCR-60 ‡	5/8/11	2.3/3.6/5	60	265	115/230	1.3	1	950	2,500	2,500	4,000	68	600	270
SCR-100	11	5.0	100	445	115/230	1.3	1	950	2,500	2,500	4,000	68	1,000	450
SCR-200	16	7.3	200	890	115/230	1.5	1	950	2,500	2,500	4,000	68	2,000	910
SCR-300	16	7.3	300	1,335	115/230	1.7	1	950	2,500	2,500	4,000	70	3,000	1,360
SCRW-400 ‡	12	5.4	400	1,780	115/230	1.7	1	950	2,500	2,500	4,000	70	4,000	1,815
SCR-400	16	7.3	400	1,780	115/230	2.0	1	950	2,500	2,500	4,000	70	4,000	1,815
SCR-500	43	19.5	500	2,225	115/230	3.5	1	950	2,500	2,500	4,000	70	5,000	2,270
SCR-1000	58	26.0	1,000	4,450	115/230	6.5	1	950	2,500	2,500	4,000	72	10,000	4,535

* Decibel from A scale at 1 meter

** Rule of thumb for sizing: One lb. vibrator force to each 10 lbs. of bin content

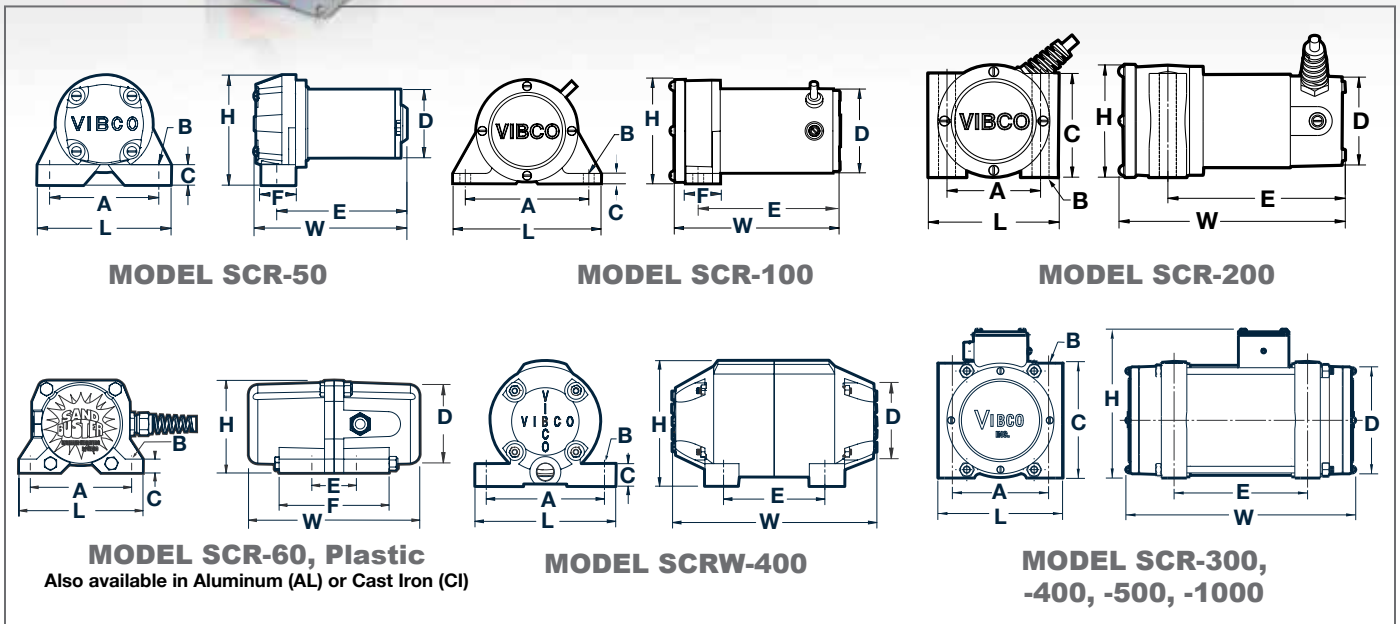
*** Weight in Plastic Housing / Aluminum Housing / Cast Iron

‡ Watertight
† 50 or 60 Hz

NOTE: • Data obtained on laboratory test block
• Frequency and force will decrease on less rigid mount.
• Data subject to design changes

MODEL SCR

ELECTRIC



Dimensions

Model	L		W		H		A		B*		C		D		E		F	
	in.	mm	in.	mm	in.	mm	in.	mm	in.	mm	in.	mm	in.	mm	in.	mm	in.	mm
SCR-50	5	127	5-5/8	143	3-3/4	95	4	102	3/8	10	3/4	19	3	76	4-11/16	119	1	25
SCR-60PL	4-3/8	111	6-1/8	156	3-1/4	83	3-5/8	92	5/16	8	3/8	10	3-1/4	83	1-1/2	38	4	102
SCR-60AL	4-3/8	111	6-1/8	156	3-1/4	83	3-5/8	92	5/16	8	3/8	10	3-1/4	83	1-1/2	38	2-1/2	64
SCR-60CI	4-3/8	111	6-1/8	156	3-1/4	83	3-5/8	92	5/16	8	3/8	10	3-1/4	83	1-1/2	38	2-7/16	62
SCR-100	6	152	6-3/4	171	4-1/4	108	5	127	3/8	10	1/2	13	3-3/8	102	5-11/16	144	1-3/8	35
SCR-200	4-9/32	122	7-7/8	200	4-1/8	108	3-1/2	89	5/8	16	3-3/4	98	3-7/32	98	6-1/2	154	—	—
SCR-300	4-1/8	105	8-3/4	222	4-5/8	117	3-1/16	78	3/8	10	3-5/8	92	3-5/8	92	5-11/16	145	—	—
SCRW-400	6-1/4	159	9	229	5-1/2	140	5-1/4	133	7/16	11	1-1/16	27	5	127	4-1/2	114	—	—
SCR-400	4-1/8	105	9	229	4-5/8	127	3	78	3/8	10	3-5/8	92	3-9/16	90	5-13/16	148	—	—
SCR-500	5-3/4	146	13-7/16	335	6-3/4	171	4-1/2	114	1/2	13	5	127	4-1/2	129	8-15/16	227	—	—
SCR-1000	6-1/2	165	14-1/4	362	7-1/2	191	5	127	5/8	16	6-1/16	154	6	152	9-3/8	238	—	—

* Max. mounting bolt diameter

NOTE: Material, Dimensions & Data subject to change without notice • Dimensions ±1/16" • Engineered dimensional drawings available on request

VIBCO SMALL IMPACT STANDARD AND HEAVY DUTY (HD)

**SPRT-60HD
SPRT-80HD**
(Totally Enclosed)



**SPR-60HD
SPR-80HD**
(Fan Cooled)



**SPR-60
SPR-80**
(Fan Cooled)



SPR-40
(Fan Cooled)



4-1/2"
108mm



- Compact
- Quiet Electric Motor
- Lightweight
- Continuous Duty

**SPR & SPRT Units
are UL Listed**



MODEL SPR, SPRT, and SPWT electric motor vibrators are specially developed for the thousands of applications where only a small shake is necessary, but big vibrator reliability is a must. For activating small hoppers, screens, chutes, tables, filling machines, etc. Controlled flow is obtained on all types of materials, including fine powders, flakes, pills, bottle caps and jars, etc.

Speed and force can be adjusted on most models with simple rheostats or speed adjusters. Completely noiseless operation (no more sound than a fan motor) makes these vibrators desirable in applications where noise is irritating or fatiguing for the employee. Most units available in 230 volt 50/60 Hz. Rugged construction permits continuous or repeated start and stop operation in any position.

SPR-60HD, SPR-80HD and SPRT-60HD, SPRT-80HD are heavy duty units with oversized bearing and cast aluminum end bell instead of plastic for extra long life. For custom performance and for harsh environments, SPR 20, 21, 40, 60 and 80 can be ordered in Steel, Plastic, or Aluminum housings.



Above: A Model SPR vibrator keeps cans moving, jam-free in this bottling plant.

Technical Data

Model	Weight***		Force Impact		Electric Motor Specs.			Vibrations per min.	Housing	Speed Option	Sound*	Max. Weight** of Material in Bin Slope Area	
	lbs.	kg.	lbs.	Newtons	Voltage	Amps.	Phase					VPM	Enclosure
SPR-10	3	1.4	8	36	115	.4	1	1,600	Open	Yes	45	80	36
SPR-20	3	1.4	15	65	115	.4	1	1,600	Open	Yes	45	150	70
SPR-21	3	4.1	20	90	115/230	.7/.32	1	3,200	Open	Yes	48	200	90
SPR-40	7	3.2	25	110	115	1.12	1	1,600	Tot. Encl. & Fan Cooled	Yes	45	250	115
SPR-60, 60HD	6.5/7.3	2.9/3.3	60	265	115/230	1.27/.64	1	3,200		Partly†	48	600	270
SPR-80, 80HD	6.5/7.3	2.9/3.3	80	355	115/230	1.36/.64	1	3,200	Partly†	50	800	365	
SPRT-21	3	1.4	20	90	115/230	.6/.24	1	3,200	Tot. Encl.	Yes	45	200	90
SPRT-60, 60HD	5/5.5	2.3/2.5	60	265	115/230	.6/.24	1	3,200	Tot. Encl.	Partly†	48	600	270
SPRT-80, 80HD	5/5.5	2.3/2.5	80	355	115/230	.6/.24	1	3,200	Tot. Encl.	Partly†	50	800	365
SPWT-21	7	3.2	20	90	115/230	.7/.32	1	3,200	Watertight	Yes	50	200	90
SPWT-60	7	3.2	60	265	115/230	.7/.32	1	3,200	Watertight	Yes	50	600	270
SPWT-80	7	3.2	80	355	115/230	.7/.32	1	3,200	Watertight	Yes	50	800	365

* Decibel from A scale at 1 meter

** Rule of thumb: One lb. vibrator force to each 10 lbs. of bin content

*** First figure is plastic housing & second is aluminum housing

† Does not provide full range of speeds from 1-100

‡ Available in 50 & 60 Cycles

NOTE: • Data obtained on laboratory test block
• Frequency & force will decrease on less rigid mount.
• Data subject to design changes

MODEL SPR SPRT AND SPWT

SPR-21
(Fan Cooled)
eco FRIENDLY



SPRT-21
(Totally Enclosed)
eco FRIENDLY



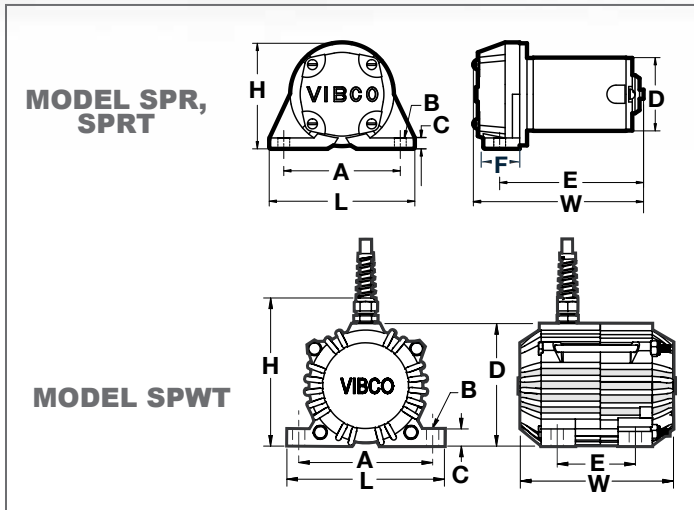
SPR-10
SPR-20
(Fan Cooled)
eco FRIENDLY



SPWT-21
SPWT-60
SPWT-80
eco FRIENDLY
WATER TIGHT



ELECTRIC



Above: A Model SPWT keeps bottles moving without obstruction on this conveyor. Contact VIBCO for optimal mounting in your specific problem areas.

Dimensions

Model	L		W		H		A		B*		C		D		E		F	
	in.	mm	in.	mm	in.	mm	in.	mm	in.	mm	in.	mm	in.	mm	in.	mm	in.	mm
SPR-10, 20	4-7/8	124	4-7/8	124	4	102	4	102	3/8	10	3/4	19	3-11/16	94	4	102	1	25
SPR-21	4-7/8	124	5	127	4	102	4	102	3/8	10	3/4	19	3-7/8	98	4-1/8	105	1	25
SPR-40	6	152	6-3/8	162	4-1/4	108	5	127	3/8	10	1/2	13	4	102	5-1/4	133	1-5/16	33
SPR-60, 60HD	6	152	7	178	4-1/4	108	5	127	3/8	10	1/2	13	4	102	5-7/8	149	1-5/16	33
SPR-80, 80HD	6	152	7	178	4-1/4	108	5	127	3/8	10	1/2	13	4	102	5-7/8	149	1-5/16	33
SPRT-21	6	152	5-1/2	140	4-1/4	108	4	102	3/8	10	9/16	14	3-7/8	98	4-5/16	110	1	25
SPRT-60, 60HD	6	152	6-3/8	162	4-1/4	108	5	127	3/8	10	9/16	14	4-5/16	110	5-5/16	135	1-5/16	33
SPRT-80, 80HD	6	152	6-3/8	162	4-1/4	108	5	127	3/8	10	9/16	14	4-5/16	110	5-5/16	135	1-5/16	33
SPWT-21	5-3/4	146	5-7/16	138	4-1/4	108	4-3/4	121	3/8	10	9/16	14	4-5/16	110	2-3/4	70	—	—
SPWT-60	5-3/4	146	5-7/16	138	4-1/4	108	4-3/4	121	3/8	10	9/16	14	4-5/16	110	2-3/4	70	—	—
SPWT-80	5-3/4	146	5-7/16	138	4-1/4	108	4-3/4	121	3/8	10	9/16	14	4-5/16	110	2-3/4	70	—	—

* Max. mounting bolt diameter

NOTE: • Material, Dimensions & Data subject to change without notice
• Dimensions ±1/16"
• Engineered dimensional drawings available on request

HEAVY DUTY ELECTRIC ADJUSTABLE ECCENTRICS

2P-800, 2P-1700, 2P-2500, 2P-3500

2P-450
2P-600

2P-200

1 Phase
Switch Box

8-1/2"
216mm



Cord lengths
vary. Contact
VIBCO for more info.

- **Totally Enclosed**
- **For Indoor or Outdoor Use**
- **Quiet Electric Motor**
- **Continuous Duty**
- **Adjustable Eccentrics**
- **Single and 3 Phase**
- **Call for High Temperature Models**

Single Phase Units come complete with on-off switch, capacitor & overload protection.

2P Models with 3600 rpm are the most versatile and popular vibrators. With centrifugal force output from 50-5600 lbs., they can be used on all types of bins containing fine to granular materials, for packing coarse materials and casting concrete, etc. The VIBCO lines of heavy duty vibrators which include the 2P shown here and the 4P, 6P and 8P units shown on pages 40 and 41 will solve many vibration problems. They will speed the flow of bulk materials through the smallest bin, hopper, and chute, to the largest silo.

Model 2PCD is designed to cross-over metric and European style vibrators with foot print dimensions that match most models. Comparable force outputs allow the 2PCD to be installed directly to your existing mount. The 2PCD models are totally enclosed, rated for continuous duty and completely noiseless.

Model 2P-100SCR supplies great flexibility with it's new, improved motor featuring constant or variable speed/frequency.



Consistent material flow is maintained by dual units in this pipe line.

Technical Data

Model	Weight***		Electric Motor Specs.					Centrifugal Force						Sound*	Max. Weight** of Material in Bin Slope Area		
			Motor	1 Phase		3 Phase		Power	Min.			Max.					
				Phase	Amperes at Volt ††		Amperes at Volt ††		h.p.	lbs.	Newtons	lbs.	Newtons				lbs.
3600 VIBRATIONS PER MINUTE — 2 POLE																	
2P-75	12	5	1 & 3	0.9/0.5	0.5/0.25	—	1/5	50	220	75	335	100	445	60	1,000	455	
2P-100	12	5	1 & 3	0.9/0.5	0.5/0.25	—	1/5	100	445	150	665	175	780	63	1,750	795	
2P-150	26/25	12/11	1 & 3	1.8/0.9	0.6/0.3	—	1/4	130	580	175	780	250	1,110	63	2,500	1,135	
2P-150-1SCR	26	12	1	1.8								250	1,110				
2P-200	35/33	16/15	1 & 3	3/1.5	1/0.5	0.45	1/3	180	800	325	1,445	400	1,780	62	4,000	1,815	
2P-450	61/54	28/25	1 & 3	5/2.5	1.2/0.6	0.50	1/2	100	445	680	3,025	1,100	4,895	64	11,000	4,990	
2P-600****	65/60	30/27	1 & 3	5/2.5	1.2/0.6	0.50	1/2	550	2,445	900	4,005	1,660	7,385	65	16,600	7,545	
2P-800	85/72	39/33	1 & 3	8/4	2/1	0.80	3/4	100	445	1,000	4,450	1,750	7,785	70	17,500	7,940	
2P-1700	90	41	3	—	3/1.5	1.20	1-1/2	600	2,670	1,500	6,670	2,500	11,120	72	25,000	11,340	
2P-2500	105	48	3	—	5/2.5	2.00	2	500	2,225	1,650	7,340	3,000	13,345	73	30,000	13,610	
2P-3500†	105	48	3	—	5/2.5	2.00	2	500	2,225	1,650	7,340	3,000	13,345	75	30,000	13,610	
2P-4500†	110	50	3	—	5.5/2.8	2.10	2	2,200	9,785	3,450	15,345	5,000	22,240	76	50,000	22,680	
2P-5500†	220	100	3	—	8/4	3.20	3	500	2,225	3,300	14,680	5,600	24,910	72	56,000	25,400	
2PCD-200	14/11	6.5/5	1 & 3	0.9/0.5	0.5/0.25	—	1/5	172	705	225	1000	315	1400	60	3,150	1,430	
2PCD-650	44/39	20/18	1 & 3	3.6/1.8	1.0/0.5	0.45	1/3	50	225	410	1825	705	3135	62	7,050	3,205	
2PCD-1050	63/55	29/25	1 & 3	5.0/2.5	1.5/0.6	0.5	1/2	50	225	640	2850	1090	4850	64	10,900	4,955	

* Decibel from A scale at 1 meter

** Rule of thumb: One lb. vibrator force to each 10 lbs. of bin content (see pg.69)

*** First figure 1 phase units, the other 3 phase units

**** Intermittent Duty Only - max run time 30 minutes per hour

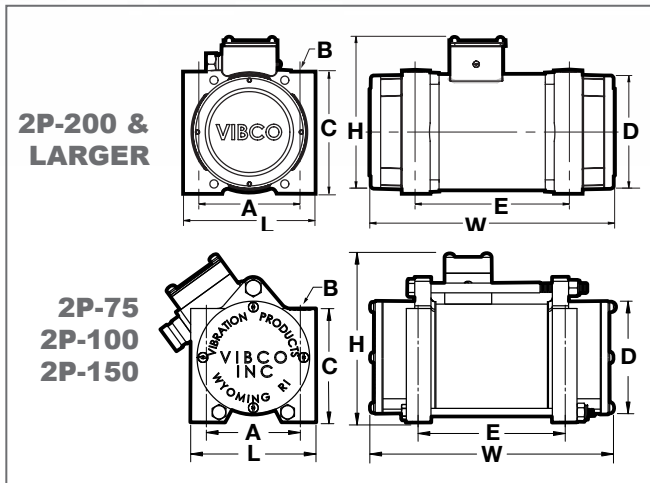
†† Consult factory for availability. Most vibrators available in both 50 & 60 Cycles 115 to 575 volt

NOTE: • Data obtained on laboratory test block
• Frequency & force will decrease on less rigid mount.
• Data subject to design changes

MODEL 2P ROTARY, 3600 RPM



See page 63 for more information on available control boxes.



The 2P unit above is mounted on a unit which restores sand to be environmentally safe for use in any application.

Dimensions

Model	L		W		H		A		B*		C		D		E		
	in.	mm	in.	mm	in.	mm	in.	mm	in.	mm	in.	mm	in.	mm	in.	mm	
2P-75	4-1/8	105	7-7/8	200	5	127	3	76	5/16	8	4-1/8	105	3-9/16	90	4-11/16	119	
2P-100	4-1/8	105	8-3/16	208	5	127	3	76	5/16	8	4-1/8	105	3-9/16	90	4-13/16	122	
2P-150	4-7/8	124	10-3/4	273	6-1/4	159	3-1/2	89	1/2	13	4-1/4	108	4	102	6-1/2	165	
2P-150-1SCR	4-7/8	124	11-3/16	284	6	152	3-1/2	89	1/2	13	4-1/8	105	4	102	6-1/2	165	
2P-200	5-3/4	146	11-1/2	292	6-3/4	171	4-1/2	114	1/2	13	5	127	5	127	7	178	
2P-450	1 Phase	6-1/2	165	13-1/2	343	7-1/2	191	5	127	5/8	16	6	152	6	152	8-3/8	213
	3 Phase	6-1/2	165	12-3/8	314	7-1/2	191	5	127	5/8	16	6	152	6	152	7-5/8	194
2P-600	1 Phase	6-1/2	165	13-1/2	343	7-1/2	191	5	127	5/8	16	6	152	6	152	8-3/8	213
	3 Phase	6-1/2	165	12-3/8	314	7-1/2	191	5	127	5/8	16	6	152	6	152	7-5/8	194
2P-800	1 Phase	7-1/2	191	15-1/4	387	8-1/2	216	5-1/2	140	5/8	16	7	178	7	178	9-5/8	244
	3 Phase	7-1/2	191	14-3/8	365	8-1/2	216	5-1/2	140	5/8	16	7	178	7	178	8-5/8	219
2P-1700	7-1/2	191	16-1/2	419	8-1/2	216	5-1/2	140	5/8	16	7	178	7	178	10-13/16	259	
2P-2500, 2P-3500	7-1/2	191	17-1/2	445	8-1/2	216	5-1/2	140	5/8	16	7	178	7	178	11-5/8	295	
2P-4500	7-1/2	191	18-1/2	470	8-1/2	216	5-1/2	140	5/8	16	7	178	7	178	11-5/8	295	
2P-5500	10-1/4	260	22-1/4	565	10-1/2	267	7-7/8	200	1	25	8-7/8	225	8-7/8	225	12-13/16	325	
2PCD-200	5	127	7-15/16	202	5-1/2	140	4-11/64	106	5/16	8	5/8	16	—	—	2-7/16 - 2-15/16	62-74	
2PCD-650	6-1/4	159	11-5/8	295	7	178	4-59/64 - 5-1/2	125-140	1/2	13	1-1/8	29	—	—	3-17/32	90	
2PCD-1050	7	178	12-5/8	321	8-3/4	222	5-1/2	140	1/2	13	1-3/8	35	—	—	4-1/8	105	

* Max. mounting bolt diameter

NOTE: Material, Dimensions & Data subject to change without notice • Dimensions $\pm 1/16"$ • Engineered dimensional drawings available on request

HEAVY DUTY ELECTRIC 1800, 1200 & 900 RPM



4P-10000
6P-5000
8P-2500

4P-2000, 4P-5000,
6P-1000, 6P-1500,
6P-2500, 8P-500,
8P-750, 8P-1250



- **Totally Enclosed**
- **Adjustable Eccentrics**
1800, 1200 & 900 RPM
- **For Indoor or Outdoor Use**
- **Single and 3 Phase**
- **Quiet Electric Motor**
- **Call for High Temp. Units**

VIBCO's lines of heavy duty vibrators will solve any vibration problem such as: speed the flow of bulk materials through the smallest bin, hopper, and chute, to the largest silo; pack materials in drums and bags; consolidate concrete in pipe,



Technical Data

Model	Weight***		Electric Motor Specs.					Centrifugal Force						Sound*	Max. Weight** of Material in Bin Slope Area	
			Motor	1 Phase		3 Phase		Power	Min.		Norm		Max.			
	lbs.	kg.		Phase	Amperes at Volt ††		h.p.		lbs.	Newtons	lbs.	Newtons	lbs.	Newtons	dB	lbs.
1800 VIBRATIONS PER MINUTE — 4 POLE																
4P-350	36/34	16/15	1 & 3	4/2	1/0.5	0.3	1/4	50	220	100	445	200	890	60	2,000	910
4P-600	40/38	18/17	1 & 3	4.2/2.1	1/0.5	0.3	3/8	150	665	250	1,110	400	1,780	60	4,000	1,815
4P-700	60/56	27/25	1 & 3	6/3	1.2/0.6	0.5	1/2	100	445	300	1,335	500	2,225	63	5,000	2,270
4P-1000	54/43	25/20	1 & 3	6.2/3.1	1.2/0.6	0.5	1/2	250	1,110	500	2,225	800	3,560	63	8,000	3,630
4P-1400	100/95	46/43	1† & 3	†/†	3.5/1.8	1.2	1	400	1,780	700	3,115	1,100	4,895	70	11,000	4,990
4P-2000	98	45	3	—	4/2	1.6	1-1/2	750	3,335	1,100	4,895	1,500	6,670	72	15,000	6,805
4P-3000	200	91	3	—	6/3	2.4	2-1/2	1,500	6,670	2,200	9,785	3,000	13,345	74	30,000	13,610
4P-5000	225	102	3	—	6/3	2.4	3	1,550	6,895	3,900	17,345	4,500	20,015	75	45,000	20,410
4P-10000	460	209	3	—	10/5	4.0	5	4,560	20,285	8,000	35,585	10,000	44,480	76	100,000	45,360
1200 VIBRATIONS PER MINUTE — 6 POLE																
6P-300	60/55	27/25	1 & 3	4/2	1.2/0.6	0.5	1/4	50	220	125	555	250	1,110	60	2,500	1,135
6P-500	62/58	28/26	1 & 3	4.2/2.1	1.2/0.6	0.5	1/4	100	445	200	890	400	1,780	60	4,000	1,815
6P-1000	98	45	3	—	4/2	1.6	1	350	1,555	450	2,000	700	3,115	72	7,000	3,175
6P-1500	200	91	3	—	6/3	2.4	1-1/2	700	3,115	1,000	4,450	1,500	6,670	74	15,000	6,805
6P-2500	225	102	3	—	6/3	2.4	2	700	3,115	1,250	5,560	2,000	8,895	75	20,000	9,070
6P-5000	460	209	3	—	10/5	4.0	3	2,000	8,895	3,000	13,345	4,500	20,015	76	45,000	20,410
900 VIBRATIONS PER MINUTE — 8 POLE																
8P-500	98	45	3	—	4/2	1.6	1/4	180	800	250	1,110	400	1,780	65	4,000	1,815
8P-750	200	91	3	—	6/3	2.4	1/4	400	1,780	575	2,560	800	3,560	74	8,000	3,630
8P-1250	225	102	3	—	6/3	2.4	1	400	1,780	700	3,115	1,250	5,560	75	12,500	5,670
8P-2500	460	209	3	—	10/5	4.0	1-1/2	1,150	5,115	1,800	8,010	2,500	11,120	76	25,000	11,340

* Decibel from A scale at 1 meter

** Rule of thumb: One lb. vibrator force to each 10 lbs. of bin content

*** First figure 1 phase units, the other 3 phase units

† Consult factory for availability.

†† Most vibrators available in both 50 & 60 Cycles 115 to 575 volt

NOTE: • Data obtained on laboratory test block

• Frequency & force will decrease on less rigid mount.

• Data subject to design changes

MODEL 4P, 6P, 8P ADJUSTABLE ECCENTRICS

4P-1000
6P-500



4P-700
6P-300



ELECTRIC

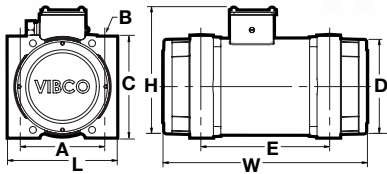
precast and prestressed industries; for screens and screeds and a variety of other industrial applications.

(right) This 6P unit on a live bottom bin, gives the uniform material flow needed to keep it moving smoothly.

(left) VIBCO's heavy duty Vibrators work well when integrated into our vibrating tables.



4P, 6P, and 8P



Dimensions

Model	L		W		H		A		B*		C		D		E	
	in.	mm	in.	mm	in.	mm	in.	mm	in.	mm	in.	mm	in.	mm	in.	mm
4P-350	5-3/4	146	11-1/2	292	6-3/4	171	4-1/2	114	1/2	13	5	127	5	127	7	178
4P-600	5-3/4	146	13	330	6-3/4	171	4-1/2	114	1/2	13	5	127	5	127	7-7/8	200
4P-700, 6P-300	6-1/2	165	13-1/8	333	7-1/2	191	5	127	5/8	16	6	152	6	152	8-3/8	213
4P-1000, 6P-500	6-1/2	165	15-1/2	394	7-5/8	194	5	127	5/8	16	6	152	6	152	8-3/8	213
4P-1400	7-1/2	191	16-1/2	419	8-1/2	216	5-1/2	140	5/8	16	7	178	7	178	10-13/16	259
4P-2000, 6P-1000 and 8P-500	7-1/2	191	18	457	8-1/2	216	5-1/2	140	5/8	16	7	178	7	178	10-13/16	275
4P-3000, 6P-1500 and 8P-750	10-1/2	267	24	610	10-1/2	267	7-7/8	200	1	25	8-3/4	222	8-7/8	225	12-13/16	325
4P-5000, 6P-2500 and 8P-1250	10-1/2	267	24	610	10-1/2	267	7-7/8	200	1	25	8-3/4	222	8-7/8	225	12-13/16	325
4P-10000, 6P-5000 and 8P-2500	15-5/8	397	29-3/4	756	13	330	12-5/8	321	1-1/4	32	2	51	10-3/4	273	15-1/2	394

* Max. mounting bolt diameter

NOTE: Material, Dimensions & Data subject to change without notice • Dimensions $\pm 1/16"$ • Engineered dimensional drawings available on request

VIBCO HIGH FREQUENCY ADJUSTABLE SPEED



- Rugged, High Speed
- Ideal for All Concrete Work
- Speed Adjustable
- US Model, 115-Volt Plug-In
- DC Model, 12 Volt Battery

VIBCO'S MODEL US High Frequency line are 115 volt single phase motors with low amperage draw. They can be plugged into any light outlet or operated from field generators. All units are speed adjustable with rheostat or electronic speed controls. US-900 and 1600 have adjustable eccentrics. The US line is, due to the high frequency, rated for intermittent operation. 230 volt available on most models. Consult factory.

VIBCO'S MODEL DC 12 Volt Battery operated units are ideal for field and mobile opera-

tions. They clean and aid flow of material from bins and chutes, and insure fast dumping of trucks, highway equipment, fertilizer trailers, ready mix trucks, spreaders and concrete pumps. 24 volt DC available, consult factory.

DC-20, -50 & -100 are available in steel, plastic, and aluminum housings. Accessory wiring kits are available for DC units (excluding DC-3500 and DC-5000 which come with their own kits). They contain necessary wires, switches and terminals for proper installation of your vibrator.

Right: VIBCO Adjustable electric vibrators solve a wide variety problems - speeding the flow of bulk materials through any size bin, hopper or chute - packing material in drums and bags - consolidating concrete - and in this case a DC-60 SandBlaster™ keeps salt and sand moving for roadway safety in freezing winter conditions.



Technical Data

Model	Weight		Force		Electric Motor Specs.			Max. Speed VPM	Sound dB*	Cycle Duty Cycle
	lbs.	kg.	lbs.	Newtons	Amperage	Volts**	Phase			
US-100	7.0	3.2	100	445	2.0 / 1.0	115/230 AC-DC	1	10,000	78	Int.
US-450T	12.5	5.7	450	2,000	3.0 / 1.5	115/230 AC-DC	1	9,000	80	Int.
US-700	14.5	6.6	700	3,115	3.5 / 1.8	115/230 AC-DC	1	8,000	80	Int.
US-900	22.0	10.0	900	4,005	4.5 / 2.3	115/230 AC-DC	1	10,000	85	Int.
US-1600	26.0	11.8	1,600	7,120	5 / 2.5	115/230 AC-DC	1	9,000	85	Int.
US-1600AL	18.0	8.1	1,600	7,120	5 / 2.5	115/230 AC-DC	1	9,000	85	Int.
DC-20	3.5	1.6	20	90	3.0 / 1.5	12/24 DC	—	4,000	68	Cont.
DC-50	3.5	1.6	50	225	3.0 / 1.5	12/24 DC	—	4,000	71	Cont.
DC-60	4.2	1.9	60	265	3.0 / 1.5	12/24 DC	—	4,000	68	Cont.
DC-100	4.0	0.8	100	445	12 / 6.0	12/24 DC	—	4,000	72	Cont.
DC-200	12.1	5.5	300	1,335	14 / 7	12/24 DC	—	4,000	73	Cont.
DC-300	13.0	5.9	350	1,555	16 / 8	12/24 DC	—	4,000	74	Cont.
DC-450T	12.5	5.7	400	1,780	22 / 11	12/24 DC	—	7,000	75	Int.
DC-450CD	12.5	5.7	400	1,780	16/8	12/24 DC	—	4,000	74	Cont.
DC-500	14.7	6.7	450	2,005	16 / 8	12/24 DC	—	4,000	73	Cont.
DC-700	14.5	6.6	700	3,115	25 / 13	12/24 DC	—	6,000	75	Int.
DC-900	22.0	10.0	600	2,670	30 / 15	12/24 DC	—	6,000	78	Special
DC-1600	26.0	11.8	1,000	4,450	32 / 16	12/24 DC	—	5,000	82	Special
DC-3500	34.7	15.7	3,500	15,570	60 / 60	12/24 DC	—	4,000	70	Special
DC-5000	40.0	18.1	5,000	22,240	70 / 70	12/24 DC	—	4,000	72	Special

* Decibel from A scale at 1 meter

** AC-DC vibrators available in both 50 & 60 Cycles

NOTE: • Data obtained on laboratory test block • Data subject to design changes
• Frequency & force will decrease on less rigid mount.

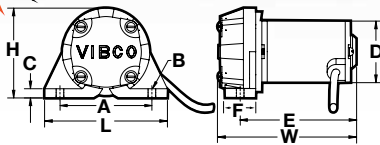
MODEL US 115V AC AND DC 12V OR 24V ELECTRIC



ELECTRIC

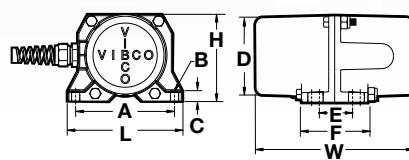


DC-20, DC-50, US & DC-100

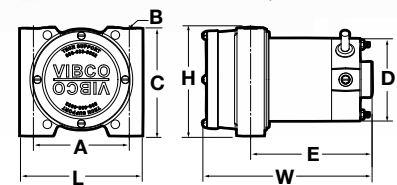


DC-60 PLASTIC

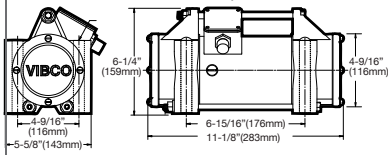
Also available in Aluminum (AL) or Cast Iron (CI)



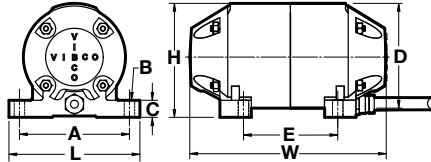
US & DC-450T & 700, DC-450CD



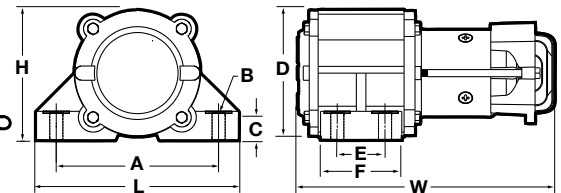
DC-200, DC-300, US & DC-900, & 1600



DC-500



XL BERTHA, DC-5000 (DC-3500*)



* See page 47 for DC-3500 Dimensional Drawing.

Dimensions

Model	L		W		H		A		B*		C		D		E		F	
	in.	mm	in.	mm	in.	mm	in.	mm	in.	mm	in.	mm	in.	mm	in.	mm	in.	mm
US-100	6-1/16	154	7-1/8	1816	4-5/16	110	5	127	3/8	10	9/16	14	3-1/16	78	5-7/16	149	1-3/8	35
US-450T	4-7/8	124	8-1/4	210	4-3/16	106	3-1/2	89	5/8	16	11/16	17	3-3/4	95	3-7/8	98	—	—
US-700	5-5/8	143	7-3/4	197	4-9/16	116	4-1/2	114	1/2	12	1/2	13	5	127	5-1/8	130	—	—
US-900	4-15/16	125	9-3/4	248	6-1/8	156	3-1/2	89	1/2	12	1/2	13	4	102	6-3/4	171	—	—
US-1600	5-5/8	143	11-1/8	283	6-1/4	159	4-9/16	116	1/2	12	5-9/16	181	4-9/16	116	6-15/16	176	—	—
US-1600AL	5-5/8	143	11-1/8	283	6-1/4	159	4-9/16	116	1/2	12	5-9/16	181	4-9/16	116	6-15/16	176	—	—
DC-20	4-15/16	125	5-5/8	143	3-13/16	97	4	102	3/8	10	11/16	17	2-1/2	64	4-3/4	121	1	25
DC-50	4-15/16	125	5-5/8	143	3-9/32	83	3-5/8	92	3/8	10	11/16	17	2-1/2	64	4-3/4	121	1	25
DC-60	5	127	6-1/16	154	3-9/32	83	3-5/8	92	1/4	6	1/2	13	3	76	1-11/16	43	4	102
DC-100	6-13/16	173	6-1/16	154	4-1/4	108	5	127	3/8	10	1/2	13	3-7/16	87	5-3/4	146	1-3/8	35
DC-200	4-1/16	103	8-5/8	219	4-5/8	117	3	76	5/16	8	5-9/16	141	3-5/8	92	5-5/8	143	—	—
DC-300	4-1/16	103	9	229	5-1/16	129	3	76	5/16	8	5-3/4	146	3-1/2	89	5-13/16	148	—	—
DC-450T	4-7/8	124	8-1/4	210	4-3/16	106	3-1/2	89	1/2	12	3-15/16	100	3-3/4	95	6-1/2	165	—	—
DC-450CD	4-7/8	124	9	229	4-3/16	106	3-1/2	89	1/2	12	3-15/16	100	3-3/4	95	7-1/4	184	—	—
DC-500	6-1/4	159	8-7/8	225	5-5/8	143	5-1/4	133	7/16	11	1-1/16	27	4-5/8	117	4-9/16	116	—	—
DC-700	5-5/8	143	7-3/4	197	4-9/16	116	4-1/2	114	1/2	12	5	127	5	127	5-11/16	144	—	—
DC-900	4-15/16	125	9-3/4	248	6-1/8	156	3-1/2	89	5/8	16	6-3/4	171	4	102	6-3/4	171	—	—
DC-1600	5-5/8	143	11-1/8	283	6-1/4	159	4-9/16	116	1/2	12	7-1/8	181	4-9/16	116	6-15/16	176	—	—
DC-3500	10-1/8	157	11-1/2	292	9-1/16	230	8-1/2	216	3/4	20	1-5/16	33	6-1/4	159	—	—	2-7/8	73
DC-5000	10-1/8	157	13	330	7-1/8	180	8	203	5/8	16	1-7/8	48	6-1/2	165	2	51	3-3/8	86

* Max. mounting bolt diameter

NOTE: Material, Dimensions & Data subject to change without notice • Dimensions ±1/16" • Engineered dimensional drawings available on request

BERTHA DUMP TRUCK

BERTHA POWER OPTIONS

Ask for VIBCO's
Big Bertha
Catalog #0101



- Costs less than a Truck Tire
- Same Day Shipment
- Increases Daily Payload & Profit

DON'T LEAVE YOUR PROFITS STUCK IN THE TRUCK

Shake even the toughest materials out - like hot asphalt, clay, fertilizer dredging material, bottom ash or wet loam. VIBCO vibrators also can reduce workplace injuries. No longer do crew members need to climb into a slippery dumpbody to shovel out damp or hot material. Vibration allow material to be dumped at a lower angle reducing the risk of roll-overs and added stress on the hoist piston. VIBCO kits come with everything you need to wire and mount them including a circuit breaker, at no extra charge.



XL BERTHA™



HYDRA BERTHA™



AIR BERTHA™



BERTHA Technical Data

BIG BERTHA™ Electric	Weight		Force		Electric Motor Specs.		Max. Speed	Sound	Cycle
	lbs.	kg.	lbs.	Newtons	Amperage*	Volts	VPM	dB	Duty Cycle
Big Bertha, DC-3500	34.7	15.7	3,500	15,570	60/60	12/24 DC	4,000	70	Special
XL BERTHA™ Electric	Weight		Force		Electric Motor Specs.		Max. Speed	Sound	Cycle
	lbs.	kg.	lbs.	Newtons	Amperage*	Volts	VPM	dB	Duty Cycle
XL Bertha, DC-5000	40.0	18.1	5,000	22,240	70/70	12/24 DC	4,000	72	Special

* Amperage subject to inrush current

HYDRA BERTHA™ Hydraulic	Weight		lbs. per sq. in.	Speed	Maximum	Centrifugal Force		Sound
	lbs.	kg.	PSI	VPM	GPM	lbs.	Newtons	dB
Hydra Bertha, HLF-1750	30	14.0	1,000	5,000	2.6	2,300	10,230	72
Hydra Bertha, HLF-3500	35	16.0	1,200	4,000	2.5	3,500	15,570	72
Hydra Bertha, HLF-5000	41	18.6	1,500	4,000	2.5	4,500	20,020	72

AIR BERTHA™ Pneumatic	Weight		40 PSI (2.8 Bar)		60 PSI (4 Bar)		80 PSI (5.5 Bar)		Max. Weight**of Material in Bin Slope Area	
	lbs.	kg.	CFM	VPM	CFM	VPM	CFM	VPM	lbs.	kg.
Air Bertha, Model 55-2	20	9.1	7.5	3,200	12	4,000	15	5,000	4,000 - 10,000	1,820 - 4,500
Air Bertha, Model 55-3	45	20.4	18.0	2,700	25	3,200	30	3,800	10,000 - 30,000	4,500 - 13,500

BIG BERTHA DUMP TRUCK

PNEUMATIC, HYDRAULIC, DC VIBRATORS

BIG BERTHA™

- High Speed
- Rugged
- Speed Adjustable
- DC Model, 12 Volt Battery



Big Bertha
DC-3500
12V DC



ELECTRIC

12 VOLT DC BATTERY OPERATION IS IDEAL FOR FIELD & MOBILE

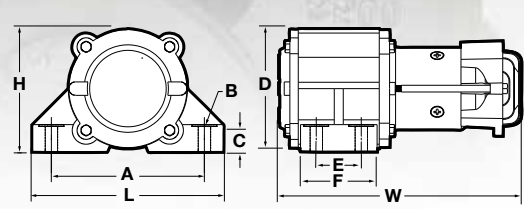
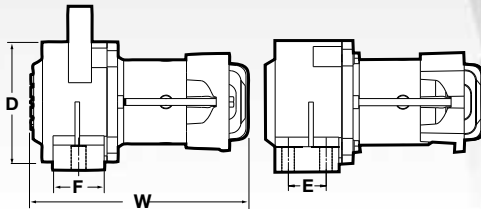
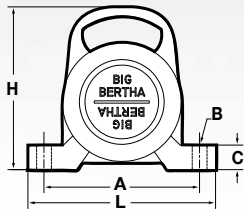
Cleans and aids flow of material from bins and chutes. Insures fast dump of trucks, highway equipment, fertilizer trailers, ready mix trucks, spreaders and concrete pumps. 24 Volt DC available. Consult factory.



Dimensions

BIG BERTHA DC-3500, DC-3500F

XL BERTHA, DC-5000

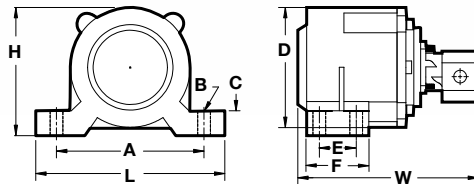


DC OPTIONS

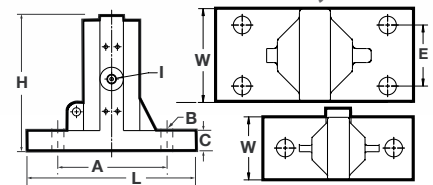
Also available in a 4 bolt version, DC-3500F, to mount in competitive hole patterns. Consult Factory

Accessories for 24V DC Models include Timer and Wiring Kit, TDC-2-24V

HLF-5000 HYDRA BERTHA†



AIR BERTHA 55-2, 55-3



Dimensions

Model	L		W		H		A		B*		C		D		E		F	
	in.	mm	in.	mm	in.	mm	in.	mm	in.	mm	in.	mm	in.	mm	in.	mm	in.	mm
BIG BERTHA™																		
Electric																		
DC-3500	10-1/8	157	11-1/2	292	9-1/8	232	8-1/2	216	3/4	19	1-3/8	35	6-1/4	159	—	—	2-7/8	73
DC-3500F	10-1/8	157	11-1/2	292	7-1/8	181	8	203	5/8	16	1-3/8	35	6-1/2	165	2	51	3-3/8	86
XL BERTHA™																		
Electric																		
DC-5000	10-1/8	157	13-3/8	340	7-1/8	181	8	203	5/8	16	1-3/8	35	6-1/2	165	2	51	3-3/8	86
HYDRA BERTHA™																		
Hydraulic																		
HLF-1750	10-1/4	260	8-9/16	217	9	229	8-1/2	216	3/4	19	1-3/8	35	6-1/2	165	2	51	2-13/16	71
HLF-3500	10-1/4	260	8-9/16	217	9	229	8-1/2	216	3/4	19	1-3/8	35	6-1/2	165	2	51	2-13/16	71
HLF-5000	10-1/4	260	8-9/16	217	7	178	8	203	3/4	19	1-3/8	35	6-1/2	165	2	51	3-5/8	92
AIR BERTHA™																		
Pneumatic Piston																		
55-2	9	229	3-1/2	89	7-1/4	184	6 to 7-1/2"	152 to 191	5/8	16	1-1/8	29	—	—	—	—	—	—
55-3	10-1/2	267	5	127	9-7/16	240	7-3/4	197	7/8	22	1-1/8	29	—	—	3-7/16	87	—	—

* Max. mounting bolt dia.

NOTE: Material, Dimensions & Data subject to change without notice • Dimensions ±1/16" • Engineered dimensional drawings available on request

MEET **BIG BERTHA**[™] ON THE JOB



Above: A Big Bertha is used on an excavator to pull large stones and vegetation from a job site while leaving the soil in place (see page 48-49). Below: VIBCO's DC-3500, Big Bertha fits securely beneath the dump body of any truck and comes with all the electrical connections that are needed to install and operate efficiently.



Above: The Big Bertha and Eco Bertha work equally well installed on truck dump bodies of all sizes.

Below: Our Big Bertha DC-3500 will shake even the toughest materials out of your truck including hot asphalt, clay, fertilizer, frozen or wet dirt, dredging material, fly ash, wet loam - any material from every corner without a shovel.



HEAVY DUTY MODEL SFC, FC VIBCO SMALL IMPACT

ELECTRIC

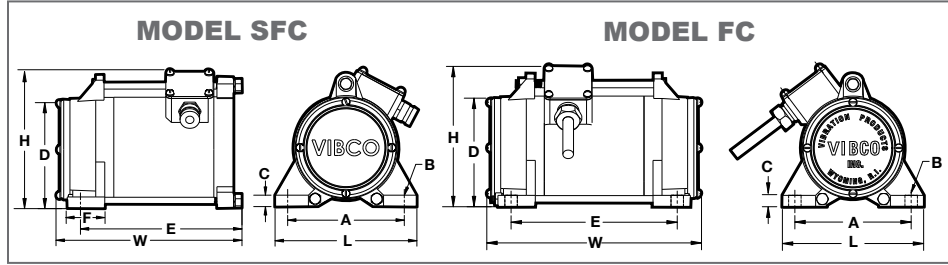


- Excellent for Feed Bins
- Continuous Duty
- Can Handle Any Number of Stops and Starts
- Totally Enclosed
- 1 and 3 Phase Models
- Adjustable Eccentrics
- Can Bolt 2 Together

SFC Vibrators are a favorite for use indoors and outdoors where a lightweight, totally enclosed vibrator is required to keep materials moving to automatic productions machines, in small to medium size bins, chutes, screens, etc. Ease of mounting, low amperage draw, makes these units popular for O.E.M. applications. Switch Box is included with all single phase units (as shown in photo, right).



Above: The SFC Model shown on the hopper with a special heat mount (consult factory) is ideal for use in this high heat environment.



Dimensions

Model	L		W		H		A		B*		C		D		E		F	
	in.	mm	in.	mm	in.	mm	in.	mm	in.	mm	in.	mm	in.	mm	in.	mm	in.	mm
SFC	6-1/2	165	8-1/4	210	6-3/4	171	5-1/4	133	1/2	13	1/2	13	4-1/2	114	7	178	1-3/4	44
FC	7-1/2	191	10	254	6-3/4	171	5-1/4	133	1/2	13	1/2	13	5-1/8	130	7-1/2	190	-	-

* Bolt Size to be used NOTE: Material, Dimensions & Data subject to change without notice • Dimensions ±1/16"

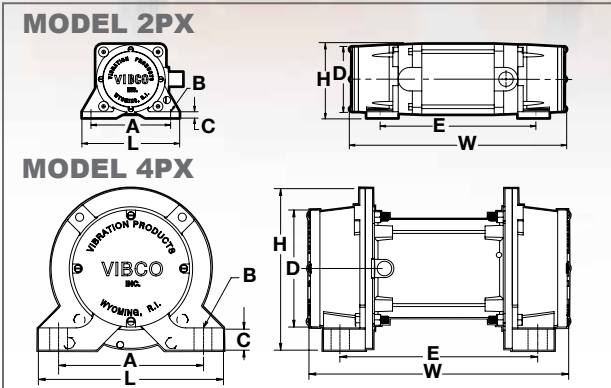
Technical Data

Model	Weight		Centrifugal Force - lbs./N Adjustable						Electric Motor Specs.			Vibration per min. [†]	Sound*	Max. Weight** of Mat. in Bin Slope Area	
			Min.		Norm.		Max.		Amp.	Volts***	Phase			lbs.	kg.
lbs.	kg.	lbs.	Newtons	lbs.	Newtons	lbs.	Newtons								
SFC-100	25 21	11.3 9.5	60	265	100	445	150	665	3/1.5 1/0.5	115/230 230/460	1 3	3,600	60	1,500	680
SFC-300	27 23	12.2 10.4	100	445	220	980	300	1,335	3/1.5 1/0.5	115/230 230/460	1 3	3,600	62	3,000	1,360
SFC-400	28 24	12.7 10.9	150	665	300	1335	400	1,780	3/1.5 1/0.5	115/230 230/460	1 3	3,600	63	4,000	1,820
FC-100	34 31	15.4 14.1	100	445	220	980	300	1,335	3/1.5 1/0.5	115/230 230/460	1 3	3,600	62	3,000	1,360
FC-400	35 32	15.9 14.5	150	665	300	1,335	450	2,000	3/1.5 1/0.5	115/230 230/460	1 3	3,600	64	4,500	2,040

* Decibel from A scale at 1 meter † 1800 VPM. (Vibrations per Minute) available
 ** Rule of thumb: One lb. vibrator force to each 10 lbs. of bin content NOTE: • Data obtained on laboratory test block • Data subject to design changes
 *** Most vibrators available in both 50 & 60 Cycles, and 575 volts • Frequency & force will decrease on less rigid mount.

MODEL 2PX, 4PX

HAZARDOUS LOCATIONS - EXPLOSION PROOF



Ideal for use in hazardous locations, VIBCO offers the first American made "explosion proof" motor vibrator in NEMA 42, 48, 56 and 182 frame sizes. Supplied in 1- and 3-phase versions, our vibrators are Class 1 Group D or Class 2 Group F&G. See chart below.

The eccentrics have 6 adjustable force settings for easy adjustment to match impact force to applications. Oversized roller bearings in Models 4PX-2000 & 4PX-5000 assure extra long life. Accessible lubricator nipples make them easy to lubricate. The other models have ball bearings which are pre-lubricated for life.



2PX surge bin application.

Dimensions

Model	L		W		H		A		B*		C		D		E	
	in.	mm	in.	mm	in.	mm	in.	mm	in.	mm	in.	mm	in.	mm	in.	mm
2PX-200	10-1/8	257	14-7/8	378	5-1/4	133	5-1/2	140	1/2	13	1/2	13	4-1/2	114	11-3/4	298
2PX-450	11-1/4	286	14-1/2	368	6-1/8	156	6-5/8	168	5/8	16	1-1/8	29	5-1/2	140	9-5/8	244
4PX-350	10-1/8	257	16-7/8	429	5-1/4	133	5-1/2	140	1/2	13	1/2	13	4-1/2	114	11-3/4	298
4PX-700	11-1/4	286	14-1/2	368	6-1/8	156	6-5/8	168	5/8	16	1-1/8	29	5-1/2	140	9-5/8	244
4PX-2000	13-7/8	352	18	457	11-1/8	283	10	254	1	25	1-5/8	41	7-7/8	200	13-11/16	348
4PX-5000	15-7/8	403	20-1/2	521	14-1/2	368	13	330	1	25	1-1/2	38	10-3/4	273	17	432

* Bolt Size to be used

NOTE: • Material, Dimensions & Data subject to change without notice • Dimensions ±1/16"

Technical Data

Model	Weight		Class and Div.	Centrifugal Force - lbs./N Adjustable						Electric Motor Specs.				Speed Vib. /Min.	Sound*
	lbs.	kg.		Min.		Norm.		Max.		Amp.	Volts**	Phase	HP		
2PX-200 42 Frame	20	9.1	Class 1 Group D Div.1 & 2	150	665	300	335	450	2,000	1/5	230/460	3	1/3	3,600	60
2PX-450 48 Frame	56	25.5	Class 1 Group D Div.1 & 2	110	490	450	2,000	900	4,005	5/2.5 1.6/7.8	115/230 230/460	1 3	1/3 1/2	3,600	62
4PX-350 42 Frame	20	9.1	Class 1 Group D Div.1 & 2	100	445	200	390	300	1,335	1/5	230/460	3†	1/3	1,800	62
4PX-700 48 Frame	58	26.4	Class 1 Group D Div.1 & 2	300	1,335	500	2,225	700	3,115	6/3 1.4/7.7	115/230 230/460	1 3	1/4 1/2	1,800	64
4PX-2000 56 Frame	130	59.0	Class 2 Group F & G Div.1 & 2	625	2,780	1,200	5,340	2,000	8,900	3.6/1.8	230/460	3	1-1/4	1,800	72
4PX-5000 182 Frame	240	109.0	Class 2 Group F & G Div.1 & 2	1,700	7,565	4,800	21,360	6,500	29,250	5.2/2.6	230/460	3	2	1,800	75

* Decibel from A scale at 1 meter

** Most vibrators available in both 50 & 60 Cycles, 575 available in most models

† Consult factory for availability

NOTE: • Data obtained on laboratory test block

• Data subject to design changes

• Frequency & force will decrease on less rigid mount.

MODEL CE ELECTRIC FOR CORROSIVE ENVIRONMENTS

ELECTRIC



A Model CE keeps material flowing at an even rate for this spreader without material hangups.

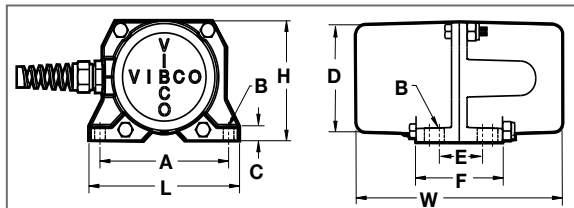
- Water Tight
- Chemically Rated
- Quiet Electric Motor
- Built for Long Life - Quality made to last!
- Can Take any number of Starts & Stops
- Convenient 115V Plug In Operation
- Washdown Safe
- Compact & Lightweight
- Continuous Duty

VIBCO's Model CE electric motor vibrators are chemically rated and made for applications where only a small shake is necessary, but big vibrator reliability is a must. Great for activating small hoppers, screens, chutes, tables, filling machines etc. Controlled flow is obtained on all types of materials including powders, flakes, pills, bottle caps and jars etc. Speed and force can be adjusted on most models with simple rheostats or speed controllers.

Completely noiseless operation (no more sound than a fan motor) makes these vibrators desirable in applications where noise is irritating or fatiguing for the employee. Most units available in 230 volt, 50 or 60 cycles.

Rugged construction permits continuous operation or repeated start and stop operation in any position. CE is a heavy duty unit with oversized bearing and cast iron bell (instead of aluminum) for extra long life.

Dimensions



Model	L		W		H		A		B*		C		D		E		F	
	in.	mm	in.	mm	in.	mm	in.	mm	in.	mm	in.	mm	in.	mm	in.	mm	in.	mm
CE-60CI	5	127	6-3/8	162	3-1/4	83	3-5/8	92	1/4	6	3/8	10	2-3/4	70	1-15/16	49	2-1/2	64
CE-60AL	5	127	6-3/8	162	3-1/4	83	3-5/8	92	1/4	6	3/8	10	2-3/4	70	1-15/16	49	2-1/2	64
CE-60	5	127	6-3/8	162	3-1/4	83	3-5/8	92	1/4	6	3/8	10	2-3/4	70	1-15/16	49	4	102
CE-60H2S04	5	127	6-3/8	162	3-1/4	83	3-5/8	92	1/4	6	3/8	10	2-3/4	70	1-15/16	49	4	102

* Bolt Size to be used

NOTE: Material, Dimensions & Data subject to change without notice • Dimensions ±1/16"

Technical Data

Model	Weight***		Force Impact		Electric Motor Specs.			Vibrations/Min.	Housing	Speed Option	Power	Sound
	lbs.	kg.	lbs.	Newtons	Volts**	Amps.	Phase	VPM	Enclosure	Adjustable	h.p.	dB*
CE-20	5/6/10	0.8/3.2/4	25	111	115	0.3	1	4,000	Watertight	Available	1/20	65
CE-40	5/6/10	0.8/3.2/4	45	200	115	0.3	1	4,000	Watertight	Available	1/20	65
CE-60	5/6/10	0.8/3.2/4	100	445	115	0.3	1	4,000	Watertight	Available	1/20	65
CE-60-200	6/7/11	3.2/3.6/5	150	667	115	0.3	1	4,000	Watertight	Available	1/20	65
CE-20H2S04	5	2.8	25	111	115	0.3	1	4,000	Watertight	Available	1/20	65
CE-40H2S04	5	2.8	45	200	115	0.3	1	4,000	Watertight	Available	1/20	65
CE-60H2S04	5	2.8	100	445	115	0.3	1	4,000	Watertight	Available	1/20	65
DC-20H2S04	5	2.8	25	111	12/24	3.0/1.5	-	3,600	Watertight	No	1/20	65
DC-60H2S04	6	3.2	100	445	12/24	3.0/1.5	-	4,000	Watertight	No	1/20	65

* Decibel from A scale at 1 meter

** CE vibrators available in both 50 & 60 Cycles

*** Weight in plastic, aluminum, cast iron housings

NOTE: • Data obtained on laboratory test block • Data subject to design changes

• Frequency & force will decrease on less rigid mount.

• Material, Dimensions & Data subject to change without notice • Dimensions ±1/16"

VIBRATION EQUIPMENT ON THE JOB APPLICATIONS



Above: A Series SVRWS-5500 (page 58-59) railroad car shaker on the job.

Right: A VIBCO Air Cannon (page 66-67) shown in the white circle, helps to maintain an even flow on the conveyor.

Below Right: A vibrating concrete compaction table removes air pockets from the slab making it stronger. (68-69)

Below: VIBCO offers a variety of rollers and compactors (page 70-71) for long lasting pothole repair, and soil or asphalt compaction.



OTHER VIBRATION PRODUCTS SECTION

LUG TYPE

PORTABLE LUG TYPE.....pages 56-57



- ▶ **USL-900/USL-1600 Series** Use with LC-2 Lug Bracket
- ▶ **SVRL-5500,-6500,-8000** Use with LC-1 Lug Bracket
- ▶ **SVRLS-5500,-6500,-8000** Use with LC-1 Lug Bracket
- ▶ **HL-3000** Use with LC-1 Lug Bracket
- ▶ **2PL-900** Use with LC-2 Lug Bracket
- ▶ **CCL-5000** Use with LC-1 Lug Bracket
- ▶ **SVRLS-4000** Use with LC-2 Lug Bracket

RAILROAD CARSHAKERS.....pages 58-60



- ▶ **RB-6500 Series** Latest in Railroad Technology
- ▶ **CCW-5000** The Silent Car Shaker
- ▶ **SVRWS-5500,-6500** Most Powerful
- ▶ **SVRWS-4000** With Stik-It™ Mount
- ▶ **VMW Electric** With Wedge Bracket
- ▶ **VMC Electric** With Clamp Bracket
- ▶ **PC-3500 Big Buster**
- ▶ **44-3 Pneumatic Piston**

MOUNTING BRACKETS / CONTROL BOXES.....pages 61-63



- ▶ Over 750 mounting brackets available
- ▶ Pipe Brackets, Railroad car style brackets, wall systems, more
- ▶ Fool-Proof engineered mounting systems save time, money and effort!

STIK-IT™ VACUUM MOUNT.....pages 64-65



- ▶ **TRAILA™** Vibrator Mount
- ▶ **STKIT908** For: VS-510; SCR-300 & 400; 2P-75,100 & 150
- ▶ **STKIT906** For: VS-380; V-380; 50-1-1/2S; 50-2S-SP; US-450T & 700; SVRFS-4000AL
- ▶ **STKIT903** For: MLT-190, 250, 320; BVS-130, 160, 190, 250, 320; V-130, 190, 250, 320; VS-130, 160, 190, 250, 32; 50-1S, 50-1-1/4S; BV-130, 190, 250, 32; SPR-20, 21, 40, 60, 80; SCR-50, 100; SPRT-21, 60, 80

AIR CANNONS.....pages 66-67



- ▶ **ABS-4-10EV Series** 52-1/2" Tall
- ▶ **ABS-4-5EV Series** 48" Tall
- ▶ **ABS-4-4EV Series** 36" Tall
- ▶ **ABS-4-2EV Series** 32" Tall
- ▶ **ABS-2-2EV Series** 24" Tall
- ▶ **ABS-2EV Series** 15" Tall
- ▶ **ABS-1-1/2 Series** 28-5/8" Tall
- ▶ **ABS-1 Series** 5-9/16" Tall

VIBRATION TABLES.....pages 68-69



- ▶ Test Tables
 - ▶ Grid Top Tables
 - ▶ Compaction Tables
 - ▶ Flat Platform Tables
 - ▶ Low Profile Packers
- VIBCO will build a Vibrating Table solution to meet your needs. Our affordable, effective and durable vibration tables suit any industrial or construction application like settling material for shipping & consolidating concrete. We have the shortest vibrating table lead times on the market!

CONSTRUCTION DIVISION.....pages 70-71



- ▶ Internal Concrete
 - ▶ Plate Compactors
 - ▶ Rollers
- Ideal for O.E.M. equipment
For Asphalt and Soil
For Asphalt and Soil

SELECTION DATA.....pages 72-77

VIBCO PORTABLE LUG-TYPE ELECTRIC, PNEUMATIC, HYDRAULIC

SVRL & SVRLS
-5500, -6500, -8000
(Pneumatic, uses LC-1)

CCL-5000
(Pneumatic,
uses LC-1)

HL-3000
(Hydraulic,
uses LC-1)



**LC-1
LUG BRACKET**

Technical Data

Electric Models	Weight		Power	1 Phase			3 Phases			Power	Centrifugal Force - lbs./N Adjustable						Sound*	Vib. /min.
	lbs.	kg.		Amperes at Volt**			h.p.	Centrifugal Force - lbs./N Adjustable			Min.	Norm		Max.				
			Phase	115/230	230/460	575		lbs.	Newtons	lbs.		Newtons	lbs.	Newtons	dB	VPM		
2PL-900	30	13.6	1 & 3	3/1.5	1/0.5	0.4	1/3	15	665	300	1,335	450	2,000	62	3,600			
2PL-1600	48	21.8	1 & 3	5/2.5	1.2/0.6	0.5	1/2	110	490	450	2,000	900	4,005	64	3,600			
USL-900	18	8.2	1	4.5/2.3	—	—	—	600	2,670	900	4,005	1100	4,895	85	10,000			
USL-1600	20	9.1	1	5.0/2.5	—	—	—	1,100	4,895	1,600	7,120	1800	8,010	85	9,000			

* Decibel from A scale at 1 meter
** Most vibrators available in both 50 & 60 Cycles, 115 to 575 volt

NOTE: • Data obtained on laboratory test block • Data subject to design changes
• Frequency & force will decrease on less rigid mount.

Pneumatic Models	Weight		80 PSI (5.5 Bar)			90 PSI (6.2 Bar)			100 PSI (6.9 Bar)			Cubic ft. per min.	Sound
	lbs.	kg.	Vibration per min.	Centrifugal Force		Vibration per min.	Centrifugal Force		Vibration per min.	Centrifugal Force			
			VPM	lbs.	Newtons	VPM	lbs.	Newtons	VPM	lbs.	Newtons	CFM	dB
SVRLS-4000	22	10.4	11,500	3,600	16,000	12,500	4,000	17,800	13,500	4,400	19,500	40	78
SVRLS-5500	43	19.5	9,000	4,950	22,000	10,000	5,500	24,500	10,500	6,100	27,100	56	82
SVRLS-6500	45	20.4	8,800	5,575	24,800	9,500	6,500	28,900	10,000	7,200	32,000	58	80
SVRLS-8000	47	21.3	8,500	7,625	33,900	8,700	8,000	35,600	9,500	9,550	42,500	62	82
SVRL-5500	37	16.8	9,000	4,950	22,000	10,000	5,500	24,500	10,500	6,100	27,100	56	98
SVRL-6500	39	17.8	8,800	5,575	24,800	9,500	6,500	28,900	10,000	7,200	32,000	60	98
SVRL-8000	41	18.6	8,500	7,625	33,900	8,700	8,000	35,600	9,500	9,550	42,500	63	98

See page 30-31 for more information

Pneumatic Models	Weight		60 PSI (5.5 Bar)				80 PSI (5.5 Bar)				Sound
	lbs.	kg.	Vibration per min.	Cubic ft. per min.	Centrifugal Force		Vibration per min.	Cubic ft. per min.	Centrifugal Force		
			VPM	CFM Air	lbs.	Newtons	VPM	CFM Air	lbs.	Newtons	dB
CCL-2000	23	10.5	4,000	30	890	3,960	6,000	40	2,000	8,895	78
CCL-5000	48	21.8	4,000	35	2,220	9,875	6,000	50	5,000	22,240	75
CCL-7000	48	21.8	5,000	40	3,380	15,035	7,200	50	7,000	31,135	78

See page 12-13 for more information

Hydraulic Model	Weight		Avg. PSI (max 3000 PSI)	Vibration per Min. VPM	Gallons per Min. GPM (max.)	Force		Sound dB
	lbs.	kg.				lbs.	Newtons	
HL-3000	39	17.7	1,000	5,000	3.2	3,400	15,125	76

See page 34-35 for more information

MODELS 2PL, SVRL, CC FIT BRACKETS LC-1 OR LC-2

2PL-900
(Electric, uses LC-2)
2PL-1600
(Electric, uses LC-1)



USL-900
USL-1600
(Electric, uses LC-2)



SVRLS-4000
(Pneumatic, uses LC-2)



**LC-2
LUG BRACKET**

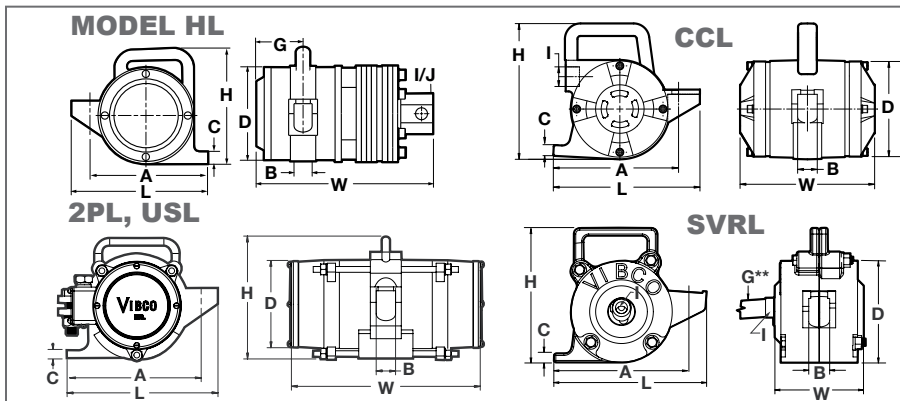


LUG TYPE

VIBCO's lug-type portable vibrator fits either the LC-1 or LC-2 lug brackets. They assure you of 100% vibration transfer and are an easy and inexpensive way to utilize one vibrator for many applications, from bin to bin, tote box to

tote box, or concrete form to concrete form. Vibco offers a choice of electric, pneumatic, or hydraulic operation.

Right: A wall of VIBCO SVR High Frequency Vibrators hang on wall form with low slump concrete being poured.



Dimensions

Model	L		W		H		A		B*		C x F†		D		G**		Inlet I NPT / SAE	Bracket
	in.	mm	in.	mm	in.	mm	in.	mm	in.	mm	in.	mm	in.	mm	in.	mm		
2PL-900	7	178	12	305	7	178	5-1/2	140	1	25	1/2 x 1-1/4	13 x 32	5-1/2	140	—	—	—	LC-2
2PL-1600	9-1/2	241	11-5/8	295	8-7/8	225	6-5/8	168	1	25	3/4 x 1-1/4	19 x 32	6-3/4	171	—	—	—	LC-1
USL-900	7-1/2	190	11	279	7-1/4	184	4-3/4	121	3/4	19	1/2 x 1-1/4	13 x 32	4-3/4	121	—	—	—	LC-2
USL-1600	7-7/8	200	11	279	7-1/4	184	4-3/4	121	3/4	19	1/2 x 1-1/4	13 x 32	4-3/4	121	—	—	—	LC-2
SVRLS-4000	7	178	8	203	7-1/2	190	6	152	3/4	19	1/2 x 1-1/4	13 x 32	5	127	3/4	19	5/8-18 SAE	LC-2
SVRLS-5500, 6500 & 8000	9-1/2	241	8-1/16	205	9-1/4	235	7-3/4	197	1	25	3/4 x 1-1/4	19 x 32	6-3/8	162	3/4	19	5/8-18 SAE	LC-1
SVRL-5500, 6500 & 8000	9-1/2	241	6-1/8	156	9-1/4	235	8	203	1	25	3/4 x 1-1/4	19 x 32	6-1/2	165	3/4	19	5/8-18 SAE	LC-1
CCL-2000	7	178	8-1/16	205	7-1/4	184	6	152	3/4	19	3/8 x 1-1/4	10 x 32	5-1/16	129	—	—	3/4 NPT	LC-2
CCL-5000,7000	9-3/8	238	8-5/8	219	8-5/8	219	8	203	1	25	3/4 x 1-1/4	19 x 32	6-1/16	154	—	—	1 NPT	LC-1
HL-3000	9-1/2	241	11-1/4	286	9-1/4	235	7-3/4	197	1	25	3/4 x 1-1/4	19 x 32	6-1/4	159	3-1/8	79	3/4-16 SAE (inlet & outlet)	LC-1

* Max. mounting bolt diameter † C= Foot Height, F=Foot width
** Hose diameter for SVR units (3/4" hose with 5/8-18 SAE threads supplied by VIBCO)

NOTE: • Material, Dimensions & Data subject to change without notice
• Dimensions ±1/16"

VIBCO'S RAILROAD CARSHAKERS BRACKETS AVAILABLE

WEDGE TYPE MODELS



MOST POPULAR PNEUMATIC SVRWS-5500, SVRWS-6500 (see page 30-31)

These High Frequency pneumatic units are the best choice of railroad carshakers for materials with moisture content, they will move the most stubborn materials. The patented wear-plates cut maintenance costs by 75%.



SILENT PNEUMATIC CCW-5000 (see page 12-13)

The "SILENT" Railroad Carshaker produces 70-75 dB (no more noise than an electric motor). The CCW-5000 uses the patented turbine gear to produce up to 5000 lbs force. It comes with a Quick-Disconnect hose fitting and a hold down bracket.

PNEUMATIC MODEL 44-3 & 44-3L PISTON (see page 28-29)

Available in powerful 3" and 4" bore sizes to help evacuate hopper cars quickly. The light weight, ease of portability, low cost and high forces of Model 44 carshaker has proven highly desirable for the small to medium consumer.



ELECTRIC MODEL VMW ON WEDGE BRACKET (see page 42-45)

The VIBCO Model VMW is made up of a 2P or 4P Vibrator with a Wedge style bracket. These heavy duty electric vibrators, Model 2P (3600 RPM) and Model 4P (1800 RPM) produce high torque and amplitude.

All models have overload protection and adjustable eccentrics providing flexibility to meet changes in material content or density.



HYDRAULIC MODEL HLF-3500 WEDGE BRACKET (see page 48-50)

The small version of the Big Buster is a small and powerful high speed 9000 RPM vibrator which offers an inexpensive solution to many material handling problems. Creates 3500 lbs. force with 4000 vibrations per minute.

CLAMP-ON MODELS

PNEUMATIC MODEL PC-3500 BIG BUSTER (see page 34-35)

"Big Buster" carshakers (*below*), in Pneumatic or Hydraulic models, provide high force at low frequency, ideal for moving coarse materials. VIBCO's patented vibration isolation couplings stop vibration from reaching the drive motor, insuring the use of it's full life and eliminating premature, costly drive motor repairs and costly down time.



ELECTRIC MODEL VMC ON CLAMP BRACKET (see page 42-45)

2P-1700 and 2P-2500 are supplied with clamp-on brackets and are three phase units. All models have overload protection and adjustable eccentrics providing flexibility to meet changes in material content or density.



PNEUMATIC LUG STYLE MODEL SVRL-5500 ON CLAMP BRACKET (see page 56-57)

VIBCO's high frequency, high force vibrators can be mounted in many locations. Portability, speed and force adjustability (by regulating air supply) makes these units the most versatile on the market.

STIK-IT™ BRACKETS

PNEUMATIC SVRFS-4000AL with Stik-It™ Mount (see page 30-31, 56-57)

- EASY to install in the field!
- QUICK installation
- PORTABLE moves easily from car to car
- SECURE suction, best vibration transfer

The suction cup can be attached to an exact spot on the Railroad Car Hopper where material hangs up, and apply all the force that is needed to get it moving. Also ideal for cleaning out any material stuck in a hopper.



Ask for
Catalog 9126 Ask for FL-P-RB-32919

RAILROAD CARSHAKERS PNEUMATIC, ELECTRIC & HYDRAULIC

SPECIAL PRODUCTS

PNEUMATIC MODEL BVST-4400 WEDGE BRACKET (see page 8)

These have been the work horses for a long time and are the most powerful of the Railroad Carshakers. They will move the most stubborn materials.



PNEUMATIC CCW-2500 HOBO (see page 12-13)

A common misconception is free flowing material like grain or plastic pellets does not require vibration. The Hobo helps clean out the corners in the dead flow zones of the railcar. For example: a product cost 44 cents a pound and you unload 2 railcars a week. If you leave 100 pounds in a hopper, a two hopper railcar gives you a loss of \$88. The pay back for a HOB0 is under two months – an incredible return on investment. A two month ROI is easily funded by any company.

The Hobo Heavy Duty Pneumatic Turbine Vibrator is the lightest weight railroad car shaker available at just 24 lbs! It works great for railcar clean-out with high force output and virtually silent operation. HOB0's Patented design does not require lubrication and is virtually maintenance free.



Shown with optional hold down bracket for securing wedge into female pocket

Unload Railroad Hopper Cars Faster, Cleaner with Less Labor . . . SIMPLE RULES FOR SELECTING YOUR CARSHAKER



MATERIAL IN RAILROAD CAR (for chart below)

GROUP 1	Cement, flour, carbon black, bone black, aluminum shot.
GROUP 2	“After” Vibration (for cleaning car) Cement, sugar, flour, chemical salts (no moisture), corn grits, arsenic, barley hops, carbon black, borax, fluoride, gypsum, sodic sulphate, peanuts, sodium nitrate, semolina, trisodium phosphate and similar materials.
GROUP 3	Salts, molasses, iron ore, malt (if sticky) potash, bauxite, calcium carbide, crushed marble, and similar materials.
GROUP 4	Sand, stone, asphalt, stone dust, fly-ash, salt, coal, clay-lime-lumps, and similar materials.

RAIL CAR

	CAR SHAKER MODEL	Consisting of		Electric* Power	Vibrator Weight Only		Material in Railroad Car (see chart above)	dB**
		Vibrator	Bracket†		lbs.	kg.		
ELECTRIC	VMC-450	2P-450***	Clamp-On	1 & 3 Phase	50	22.7	Group 1	70
	VMC-1000	4P-1000‡	Clamp-On	1 & 3 Phase	52	23.6	Group 1	70
	VMW-450	2P-450	Wedge	1 & 3 Phase	48	21.8	Group 1	70
	VMW-700, 1000	4P-700, 4P-1000	Wedge	1 & 3 Phase	50	22.7	Group 1	70
	VMC-800	2P-800	Clamp-On	1 & 3 Phase	85	35.6	Group 2	75
	VMW-800	2P-800	Wedge	1 & 3 Phase	75	34.0	Group 2	75
	VMC-1700	2P-1700	Clamp-On	3 Phase	90	40.8	Group 3	78
	VMC-2500	2P-2500	Clamp-On	3 Phase	98	44.5	Group 4	80
PNEUMATIC	Model	Vibrator	Bracket†	CFM/80 PSI	Vibrator Wt.		Material in Rail Car	dB**
	CCW-2500 (Hobo)	Pneumatic Turbine	Wedge	30	30	13.6	Group 1-2	72-75
	CCW-5000	Pneumatic Turbine	Wedge	35	48	21.8	Group 1-2	72-75
	44-3	3" Piston	Wedge	30	50	22.7	Group 1-2	93-95
	PFW-1500	PF-1500	Wedge	21	55	24.9	Group 1-2	80-85
	PFC-1500	PF-1500	Clamp-on	21	63	28.6	Group 1-2	80-85
	RB-5000-CCW	Pneumatic Turbine	Air Wedge	35	48	21.8	Group 1-2	72-75
	CCW-2500 (Hobo)	Pneumatic Turbine	Wedge	30	30	13.6	Group 2-3	72-75
	CCW-5000	Pneumatic Turbine	Wedge	50	48	21.8	Group 2-3	72-75
	PFW-1500	High Frequency	Wedge	50	48	21.8	Group 2-3	78-85
	44-3L	3" L-Piston	Wedge	50	60	27.2	Group 2-3	90-95
	BVST-4400	Pneumatic Turbine	Wedge	30	22	10.0	Group 2-3	92
	PC-3500	PC-3500	Clamp-on	39	71	32.2	Group 2-3	90-95
	RB-6500-SVR	SVRS-Silent High Freq.	Air Wedge	50	48	21.8	Group 3-4	78-85
	SVRFS-4000AL	SVRS-Silent High Freq.	Stik-It 906	40	23	10.4	Group 3-4	78-85
	SVRWS-5500 & 6500	SVRS-Silent High Freq.	Wedge	50	48	21.8	Group 3-4	78-85
PC-3500	PC-3500	Clamp-on	39	71	32.2	Group 3-4	80-85	
SVRC-5500, 6500 & 8000	SVR High Frequency	Clamp-on	55	58	26.3	Group 3-4	93-90	

* See page 61-63 for bracket weights in lbs. shown in parenthesis.
 † Use 1 Phase brackets for both 1 & 3 Phase Units.
 ** Decibel at 1 meter on A-scale
 Material, Dimensions & Data subject to change without notice

*** 2P-450 for fine to granular materials
 ‡ 4P-1000 for lumpy or stringy materials
 † When possible use wedge bracket over clamp-on for better vibration transfer
 Caution: Always use stabilizing jacks on both sides of the car when using shakers.

VIBCO RAIL BOSS RAILROAD SHAKERS



- Patented
- Quiet
- Powerful
- Low Maintenance

RB-6500 - LATEST IN RAILROAD CARSHAKER TECHNOLOGY

The RB-6500 with its unique inflatable air bag, is able to transfer more vibration force to the car. That vibration will clear out your toughest loads. Coarse sand, stone and asphalt or powdery flour and cement are no match for the RB-6500 vibration. Your railroad car will be cleared quickly and made ready for its next load. More importantly, the full load will be delivered with no waste left behind in the rail car.

AS EASY AS 1, 2, 3

1. Easy in – just drop the RB-6500 unit into the dovetail bracket welded onto the hopper on the railroad car. The unit will fit easily with some play.
2. Activate the rubber air bag. The air pressure will wedge the specially designed male wedge bracket into the dovetail bracket.
3. Now start the vibrator – there will be *no loss* of vibration force – all will be directed into the hopper, – *no loss* of force due to a loose vibrator, and – *no wear or noise* due to a loose vibrator.

When the car is unloaded, simply turn off the air pressure to the vibrator to stop it. Deflate the air bag and the unit is now loose and can easily be lifted from the bracket - no hammering out needed!

RCP-BUGGY FOR RAILROAD SHAKERS

VIBCO's fully adjustable, RCP-buggy makes moving and installing your railroad carshaker easy and safe. It maneuvers conveniently, making it ideal for moving vibrators from railcar to railcar. Working perfectly with VIBCO's own vibrators, it will also work with any other make and model.

The basket that sits on the end of the RCP is specifically made to cradle your vibrator model. Please specify the unit you plan to use when ordering. The RCP-buggy can easily be adjusted to the user's height as well as the weight of the unit and more:

Its ergonomic construction is designed to take the pressure off of lifting the unit into place and removing it, making it a real job site safety investment. It can be operated by a single worker, increasing productivity, without straining backs.

Hand injuries can also be reduced as hand lifting of the vibrator is eliminated. The RCP-Buggy is a lightweight and economical solution with substantial strength in moving heavy railcar shakers. It's a "Must Have" for every rail yard.

1. Adjust height and angle of basket to achieve best fit. Replace basket as needed to fit additional vibrator models.



**RB-6500-SVR &
RB-5000-CCW
with the latest
in technology**



3. Adjust angle between base and handle to fit vibrator pocket height
4. Adjust handle height for improved ergonomics and leverage
2. Adjust the length to fit distance from platform to vibrator pocket

VIBCO PIPE BRACKETS

ENGINEERED SYSTEMS THAT WORK!



USE VIBCO MOUNTING SOLUTIONS FOR BEST FORCE TRANSFER

We believe in giving you choices and options to meet your needs! We offer a complete line of mounting hardware and brackets to suit any mounting configuration for a wide variety of industrial and construction vibrator applications including: pipe mounting and other

brackets, clamp blocks, railroad car shaker wedge brackets and clamp-on brackets, adapter plates, and concrete form brackets. VIBCO's Easy Mounting System is perfect for most industrial vibrator installations. Contact a VIBCO application engineer to discuss the best mounting solution for you. (For pipe brackets, please specify pipe diameter with order!)



MOUNTING

VIBCO CONTROL BOXES

FOR A VARIETY OF UNITS


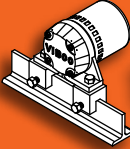
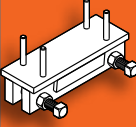

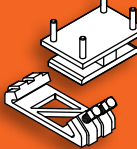
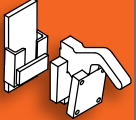
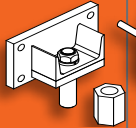
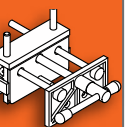
SPEED CONTROLS, TIMERS & SWITCHES

Convenient speed control boxes and timer boxes help regulate VIBCO vibrators so that you get the best results and longest life

from your units. VIBCO offers over 200 standard control boxes for our vibrators that are manufactured for individual models, and our engineers regularly design custom layouts to meet individual needs.



VIBCO MOUNTING BRACKETS

BRACKETS FOR STANDARD MODELS		Mounting Bracket	Clamp Block	Car Shaker & Form Bracket	Car Shaker Wedge Bracket	Form & Bin SB Shoe Bracket	Wedge Type Form Bracket	Pin Form Bracket UPF-Female	Wooden Form Bracket
				 Clamp-On			 UWF-Female		
Female bracket weight		—	—	Channel bracket: lg. 28.15/sm14.3 lbs	25 lbs.	7.7 lbs.	UWF-3: 5.6 lbs. UWF-1: 3.7 lbs.	2 lbs.	—
2P-75		VMM-11 (2)	—	VMC-81 (17)	—	—	VMT-11 (15)	—	—
2P-100		VMM-111 (2)	—	VMC-82 (17)	—	—	VMT-1 (15)	—	—
2P-150		VMM-12 (7)	—	VMC-83 (22)	—	—	VMT-12 (19)	—	—
2P-200, 4P-350		VMM-2 (7)	—	VMC-2 (36)	VMW-2 (27)	VMH-2 (15)	VMT-2 (19)	—	VMF-2 (14)
4P-700 & 1000, 6P-300 & 500		VMM-4 (11)	—	VMC-4 (39)	VMW-4 (31)	VMH-4 (18)	VMT-4 (23)	—	VMF-4 (18)
2P-450,	1 ph	VMM-4 (11)	—	VMC-4 (39)	VMW-4 (31)	VMH-4 (18)	VMT-4 (23)	—	VMF-4 (18)
	3 ph	VMM-3 (11)	—	VMC-3 (39)	VMW-3 (31)	VMH-3 (18)	VMT-3 (23)	—	VMF-3 (18)
2P-800	1 ph	VMM-61 (21)	—	VMC-61 (49)	VMW-61 (41)	VMH-61 (28)	—	—	—
	3 ph	VMM-5 (21)	—	VMC-5 (49)	VMW-5 (41)	VMH-5 (28)	—	—	—
2P-1700		VMM-6 (21)	—	VMC-6 (40)	—	—	—	—	—
4P-1400		VMM-6 (21)	—	VMC-6 (40)	—	—	—	—	—
2P-2500, 2P-3500 & 4500		VMM-7 (21)	—	VMC-7 (41)	—	—	—	—	—
4P-2000		VMM-6 (21)	—	VMC-6 (40)	—	—	—	—	—
6P-1000		VMM-6 (21)	—	VMC-6 (40)	—	—	—	—	—
8P-500		VMM-6 (21)	—	VMC-6 (40)	—	—	—	—	—
2P-5500, 4P-3000 & 5000		VMM-8 (51)	—	—	—	—	—	—	—
6P-1500 & 2500		VMM-8 (51)	—	—	—	—	—	—	—
8P-750, 8P-1200		VMM-8 (51)	—	—	—	—	—	—	—
SPR, SPRT-20, 21, 40, 60 & 80	SPM-1 (2)	—	C-2 (3)	—	—	—	—	—	—
	SPM-2 (3)	—	C-2 (3)	—	—	—	—	—	—
SPWT		SPWM (3)	—	SPWC (8)	—	—	—	—	—
SCR-100, US-100, DC-100		UM-1 (2)	C-2 (3)	—	—	—	—	—	—
SCR-200, US-450, DC-450		UM-2 (4)	C-4 (4)	UC-3 (15)	—	UA-1 (11)	UW-4 (16)	UW-1 (5)	USF-1 (11)
US-700, DC-700		UM-7 (2)	C-4 (4)	UC-4 (15)	—	—	UW-5 (14)	—	USF-4 (9)
SCR-500		SCRM-2 (8)	—	SCRC-2 (20)	SCRW-2 (28)	SCRA-2 (15)	—	—	SCRF-2 (16)
SCR-1000		SCRM-1 (8)	—	SCRC-1 (20)	SCRW-1 (28)	SCRA-1 (15)	—	—	SCRF-1 (16)
SFC MODELS		SFCM (4)	—	—	—	SFCH (11)	—	—	—
FC MODELS		FCM-1 (5)	—	FBB-1 (15)	—	FCH-1 (12)	—	—	—
US-900, DC-900		UM-3 (6)	—	UC-1 (15)	—	UA-2 (13)	UW-2 (18)	—	USF-2 (13)
US-1600, DC-1600		UC-4 (6)	—	UC-2 (16)	—	UA-3 (13)	UW-3 (18)	—	USF-3 (13)
BB, BBS, FBS MODELS		—	C-1 (3)	—	—	—	—	—	—
B-130, BV-130, BVS-130		BVM-1 (2)	C-2 (3)	—	—	—	—	—	—
B, BV, BVS-160 & 190		BVM-2 (2)	C-2 (3)	—	—	—	—	—	—
B-250, BV-250, BVS-250		BVM-3 (2)	C-2 (3)	—	—	—	—	BVP-5 (5)	—
B-320, BV-320, BVS-320		BVM-4 (2)	C-3 (3)	—	—	BVH-4 (9)	BVT-4 (14)	BVP-4 (5)	BVF-4 (9)
BV-380, BVS-380		BVM-5 (4)	C-4 (4)	—	—	BVH-3 (11)	BVT-3 (16)	BVP-3 (5)	BVF-3 (11)
BVS-440, BVS-510		BVM-6 (6)	C-4 (4)	BVC-3 (15)	—	BVH-2 (13)	BVT-2 (18)	BVP-2 (5)	BVF-2 (13)
BVS-510F		BVM-61 (6)	—	BVC-2 (15)	—	BVH-21 (13)	BVT-21 (18)	BVP-21 (5)	BVF-21 (13)
BVS-570, BVST-4400		BVM-7 (7)	—	BVC-1 (15)	BVW-1 (27)	BVH-1 (14)	BVT-1 (19)	—	BVF-1 (15)
V-130, VS-130		VSM-1 (2)	C-2 (3)	—	—	—	—	—	—
V, VS-160 & 190		VSM-2 (2)	C-2 (3)	—	—	—	VST-3 (15)	VSP-3 (5)	VSF-4 (9)
V-250, VS-250		VSM-3 (4)	C-2 (3)	—	—	VH-1 (11)	VST-2 (17)	VSP-2 (5)	VSF-2 (12)
V-320, VS-320		VSM-3 (4)	C-3 (3)	—	—	VH-1 (11)	VST-2 (17)	VSP-1 (5)	VSF-2 (12)
V-380, VS-380		VSM-4 (4)	C-4 (4)	VC-3 (15)	VSW-1 (25)	VH-2 (11)	VST-1 (17)	—	VSF-1 (12)
VS-510		VSM-5 (4)	C-4 (4)	VC-1 (15)	—	VH-3 (11)	VST-4 (17)	—	VSF-3 (12)
CCF-2000		CCM-3 (3)	—	CCFC-3 (31)	CCFW-3 (24)	CCFH-3 (10)	CCW-2 (16)	—	—
CCF-5000		CCM-2 (7)	—	CCFC-1 (35)	CCFW-1 (28)	CCFH-1 (14)	CCW-3 (20)	—	—
CCL-5000		—	—	CCFC-2 (29)	CCFW-2 (22)	CCFH-2 (15)	—	—	—
SVR-4000		SVM-1 (6)	—	SVC-1 (34)	SVW-1 (27)	SVA-1 (13)	SVH-1 (18)	SVP-1 (5)	SVF-1 (13)
SVR-5500		—	—	SVC-2	SVW-2 (22)	—	SVH-2	—	—
SVRF-5500		SVM-2 (8)	—	SVC-4 (37)	SVW-4 (29)	—	—	—	—
SVRL, SVRLS-5500, 6500 & 8000		—	—	CCFC-2 (29)	SVW-2 (22)	CCFH-2 (15)	—	—	—
SVR-8000		SVM-3 (9)	—	SVC-3 (38)	SVW-3 (29)	—	—	—	—
PF, HF-800, 1200 & 1500		PFM-1 (9)	—	PFC-1 (38)	PFW-1 (29)	PFA-1 (16)	—	—	—
PF, HF-3500, HLF-3500		PFM-2 (11)	—	PFC-2 (40)	PFW-2 (31)	PFA-2 (18)	—	—	—

MADE TO YOUR SPECS
VIBCO ENGINEERS
 will design special brackets for your applications

() weight in lbs. NOTE: Material, Dimensions & Data subject to change without notice

VIBCO MOUNTING BRACKETS



Mounting Plates, Channels, and Mounting Kits with Channel Irons are available.



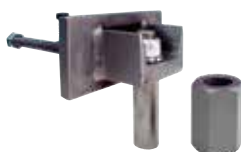
The wider UWF-3 Heavy Duty Wedge Bracket is used for stronger forces.



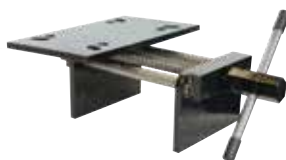
UWF-1 Female Bracket allows multiple hoppers to use one vibrator as needed.



UPF bracket is ideal for precast and other applications. Vibrators can be easily moved.



The VIBCO Form Bracket can be used for wood, plastic, fiberglass, & metal wall forms.



A SB Shoe Bracket attaches an SVRF-5500 unit to an assembly line.



Lug Brackets take the vibration where you want it.
LC-1 LC-2



Rail Road Car Wedge Bracket



Clamp-On Bracket



MOUNTING SYSTEMS

TRAILA™ VIBRATOR MOUNT



- Easily moves from hopper to hopper
- Securely attaches to hoppers on grain trailers and more
- High Temp Units Available
- Powerful yet Lightweight

The Traila™ unit is designed to save weight and make unloading your truck and tender hoppers simple and effective.

Traila™ can be easily moved from hopper to hopper as needed with its suction activated base. There are no bolts, no welding, and no hassle involved! The suction is so effective, it even works on plastic tote bins, fiber drums bins and any other non-porous surface.

VIBCO's specialized air fitting simply attaches to your truck's compression system. You can quickly swap between bins using



nothing more than an air hose. A straightforward switch starts the suction and another starts the vibration.

Redesigned for reduced weight and versatility, the Traila™ has the right force and frequency to clear your toughest loads.

STKIT-901GP

- For columns with a tight radius

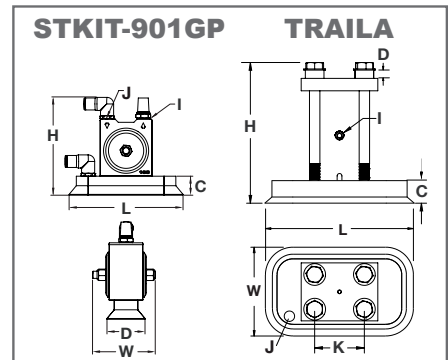
The STKIT-901GP can be easily moved from column to column as needed. The neoprene suction base is paired with

a strong, specialized MLT-190 which is ideal for small diameter columns and curved surfaces with its small footprint. VIBCO engineers are happy to suggest the perfect STIK-IT for your needs. We have versions to handle small areas as well as railroad cars.

Dimensions

Model	L		W		H		C		D		I	J	K	
	in.	mm	in.	mm	in.	mm	in.	mm	in.	mm	NPT	NPT	in.	mm
TRALA-STKIT150	10	254	6	152	8-7/16	214	1-3/8	35	5/16	8	1/4	3/8	2-1/2	64
TRALA-STKIT200	10	254	8-1/2	216	9-5/16	237	2-1/8	54	1/4	6	1/4	3/8	3	76
STKIT-901GP	6	152	3-5/16	84	5-1/4	133	1	25	2	51	1/4	1/2	—	—

NOTE: • Material, Dimensions & Data subject to change without notice • Dimensions ±1/16"



Technical Data

Model	Weight		60 PSI (4 Bar)		80 PSI (5.5 Bar)		Max. Weight* of Material in Bin Slope Area			
			Cubic ft./min.	Vibration/min.	Cubic ft./min.	Vibration/min.				
	lbs.	kg.	CFM	VPM	CFM	VPM	min. lbs.	max. lbs.	min. kg.	max. kg.
TRALA-STKIT150	14.9	6.7	9	2,400	11	3,200	400	1,000	180	455
TRALA-STKIT200	21.4	9.6	12	2,400	15	3,000	1,000	4,000	455	1,815
STKIT-901GP	4.1	1.9	7.5	7,000	8.5	7,200	—	2,700	—	1225

* Rule of thumb for sizing: One lb. vibrator force to each 10 lbs. of bin content at 80 PSI

NOTE: • Data obtained on laboratory test block
• Frequency and force will vary with quality of air, unit lubrication, and rigidity of mount
• Material, Dimensions & Data subject to change without notice

MOUNTING SYSTEMS

STIK-IT™ VACUUM MOUNT



- Shown with Pneumatic SVRFS-4000 AL unit with Stik-It™ WALL**
- Rapidly Attaches to Surfaces
 - No Bolting or Welding
 - Provides “One Person Portability”
 - Great for Testing and Cleaning
 - Extreme Temp (ET) Models Available (see below for temp. range)

VIBCO's Stik-It™ pneumatic vibrator mount is the versatile, weld free vibrator mounting solution you need! It mounts to any smooth nonporous surface in seconds. No bolts, no welding, no hassle. Just the right amount of vibration right where you need it... right away.

VIBCO's exclusive Stik-It™ mount creates positive suction with a steady air miser. Place, remove and reuse your VIBCO vibrators in seconds!

VIBCO Stik-It™ mounts can be used with over 40 of VIBCO's pneumatic, electric and hydraulic vibrators. Just ask a VIBCO Engineer to recommend the right vibrator and mount.

Tried other models that failed? VIBCO's Stik-It™ mount was designed just for the harsh dusty industrial environment. Our vacuum producer will pass large dust particles that will kill other units! Plastic tote bins, IBCs, test labs, rail cars, fiber drums, V cone blenders, temporary material flow problem spots, hopper clean outs... all are perfect places to Stik-It™!



STKIT-908*	STKIT-906*	STKIT-903*	STKIT-902*
<p>Compatible with: VS-510 • SCR-300, SCR-400 • 2P-75, 2P-100, 2P-150 • 50-2S</p>	<p>Compatible with: VS-380 • V-380 • 50-1-1/2S-VC • US-450T, US-700 SVRFS-4000AL</p>	<p>Compatible with: MLT-190, MLT-250, MLT-320 • BVS-130, BVS-160, BVS-190, BVS-250, BVS-320 • V-130, V-190, V-250, V-320 • VS-130, VS-160, VS-190, VS-250, VS-320 • 50-1S, 50-1-1/4S • BV-130, BV-190, BV-250, BV-320 • SPR-20, SPR-21, SPR-40, SPR-60, SPR-80 • SCR-50, SCR-100 • SPRT-21, SPRT-60, SPRT-80</p>	<p>Compatible with: MLT-190 • BVS-130, BVS-160, BVS-190 • V-130, V-190 • VS-130, VS-160, VS-190 • 50-1S, 50-1-1/4S • BV-130, BV-190 • SPR-20, SPR-21 • SCR-50, SCR-100 • SPRT-21</p>

Dimensions - Other sizes available. Consult factory for more information. *Vibrators sold separately

Model	L = Length		W = Width		H = Height		Inlet NPT
	inch	mm	inch	mm	inch	mm	
STKIT-902 & STKIT-902ET	8	203.2	3	76.2	1-3/8	34.9	1/4
STKIT-903 & STKIT-903ET	11	279.4	3-1/2	88.9	1-3/8	34.9	3/8
STKIT-906 & STKIT-906ET	10	254.0	6	152.4	1-3/8	34.9	3/8
STKIT-906WALL & STKIT-906WALLET	10	254.0	6	152.4	1-3/8	34.9	3/8
STKIT-908 & STKIT-908ET	10	254.0	8-1/2	215.9	2-1/8	53.9	3/8

Technical Data

Model No.	psi	bar	CFM	Std. Temp. Range		Extreme Temp. Range		Weight	
				°F	°C	°F	°C	lbs	kg.
STKIT-902 & STKIT-902ET	80	5.5	8	32°F to 125°F	0°C to 51°C	-40° to 450°F	-40° to 232°C	0.8	0.4
STKIT-903 & STKIT-903ET	80	5.5	8	32°F to 125°F	0°C to 51°C	-40° to 450°F	-40° to 232°C	1.6	0.7
STKIT-906 & STKIT-906ET	80	5.5	8	32°F to 125°F	0°C to 51°C	-40° to 450°F	-40° to 232°C	3.3	1.5
STKIT-906WALL & STKIT-906WALLET	80	5.5	8	32°F to 125°F	0°C to 51°C	-40° to 450°F	-40° to 232°C	3.3	1.5
STKIT-908 & STKIT-908ET	80	5.5	8	32°F to 125°F	0°C to 51°C	-40° to 450°F	-40° to 232°C	4.4	2.0

STD temp. range uses blue neoprene base, Extreme temp. range uses black silicone base • NOTE: Material, Dimensions & Data subject to change without notice • Dimensions ±1/16"

AIR CANNONS SOLVES MATERIAL MOVING PROBLEMS

- Advanced Valve Technology
- No Backlash
- Quiet Operation
- Clog-Free Valve
- Maintenance Free
- Safe External Servicing!
- ASME Coded Vessel



Ask for Catalog 9131 Air Cannons



AIR CANNON SIZE COMPARISON FROM 52.5" TO 5.5"



Dimensions

MODEL NO.	DESCRIPTION	HEIGHT		DIAMETER		VOLUME	
		inch	mm	inch	mm	ft. ³	Liters
ABS-1-5MB	VIBCO's Mini B - Smallest industrial Blaster in the world	5-9/16	141	6	152	0.20	0.57
ABS-1-1/2	Compact, narrow design for use in tight areas.	26-7/8	683	5-13/32	137	.11	3.1
ABS-2EV	<ul style="list-style-type: none"> • Works well for wood, steel and concrete bins • Same day or next day shipping • All cannons 100% manufactured in the USA • Operates on plant air from 40 to 120 psi • Air Cannons have been made with pride since the '70s • Can be used singly or in multiples • Cast Iron construction for durability 	15	381	10	254	0.60	17.0
ABS-2-2EV		24	610	12	305	1.36	39.0
ABS-4-2EV		32	813	12	305	1.36	39.0
ABS-4-4EV		36	914	16	406	3.54	100.0
ABS-4-5EV		48	1,219	16	406	4.35	123.0
ABS-4-10EV		52-1/2	1,334	24	610	9.33	264.0

NOTE: Material, Dimensions & Data subject to change without notice • Dimensions ±1/16"

ABS SERIES

WITH PATENTED DOUBLE PISTON VALVE

There are 2 methods for selecting the proper VIBCO Air Cannon. The first method is to consider the bin size and the second is required when you have heavy or coarse materials or odd shaped bins.

METHOD 1

As a general rule, if the diameter of the bin is:

- **2 to 6 feet diameter or side**, use **ABS-1-1/2**
- **6 to 10 feet diameter**, use **ABS-2EV** or **ABS-2-2EV**
- **10 to 15 feet** use **ABS 4-2EV**, one for every 13-15 feet of circumference or perimeter.
- **16 to 20 feet** use **ABS-4-4EV** or **ABS 4-5EV**, one for every 20-25 feet of circumference or perimeter.
- **21 to 26 feet** use **ABS 4-10EV**, one for every 25-30 feet of circumference or perimeter.

METHOD 2

This method is used for tough materials and odd shaped bins. First, determine the area to be blasted (material hang-up area). Second, are you using Material Type A or Material Type B?

MATERIAL TYPE A	MATERIAL TYPE B
Large chunks, high moisture content; clings to walls; will set up or harden when stored; weight in excess of 65-70 lbs. per cu. ft., or slope angles less than 30° with small discharge openings.	Dry, powdery, stringy or spongy, with material weight less than 60 lbs. per cu. ft., slope angles more than 45° and large discharge openings.

Find the blast area you need below using the proper column for your material type (Material A or Material B). Now lay out area of influence in the region to be blasted. Make the area of influence overlap in critical areas.

Technical Data

MODEL NO.	FREE AIR 80 PSI per Ft. ³ (L)	TEMP. RANGE °F (°C)		DISCHARGE SIZE NPT	MATERIAL A BLAST SPAN L' x D' (mm x mm)	MATERIAL B BLAST SPAN L' X D' (MM X MM)	MOUNTING KIT
		Standard	High Temp.				
ABS-1-5MB	0.1 (2.8)	200°F (93°C)	340°F (170°C)	1-1/4 NPT	2' x 1' (610 x 305)	2' x 2' (610 x 610)	MBM-1
ABS-1-1/2	.6 (17)	200°F (93°C)	340°F (170°C)	1-1/4 NPT	3' x 1' (915 x 305)	4' x 2' (1,220 x 610)	MBM-1-1/2ABS
ABS-2EV	3.3 (92)	200°F (93°C)	340°F (170°C)	2 NPT	4' x 2' (1,220 x 610)	7' x 3' (2,135 x 915)	MK2ABSEV
ABS-2-2EV	7.4 (210)	200°F (93°C)	340°F (170°C)	2 NPT	5' x 3' (1,525 x 915)	8' x 4' (2,440 x 1,220)	MK2ABS-2EV
ABS-4-2EV	7.4 (210)	200°F (93°C)	340°F (170°C)	4 NPT	6' x 4' (1,830 x 1,220)	9' x 5' (2,745 x 1,525)	MK4ABS-2EVM
ABS-4-4EV	19.2 (544)	200°F (93°C)	340°F (170°C)	4 NPT	7' x 4' (2,155 x 1,220)	10' x 5' (3,050 x 1,525)	MK4ABS-5EV
ABS-4-5EV	23.7 (670)	200°F (93°C)	340°F (170°C)	4 NPT	7' x 5' (2,135 x 1,525)	10' x 6' (3,050 x 1,830)	MK4ABS-5EV
ABS-4-10EV	50.8 (1438)	200°F (93°C)	340°F (170°C)	4 NPT	8' x 6' (2,440 x 1,830)	12' x 7' (3,660 x 2,135)	MK4ABS-10EV



AIR CANNON

VIBRATION TABLES TESTING & GRID TOP

**TEST TABLE
USTT**
18", 24" & 36"

**MADE
TO YOUR
SPECS**

ANY SHAPE FOR ANY PURPOSE

VIBCO Vibrators offers affordable, effective and durable vibration tables to suit any industrial or construction application. From settling material for shipping or consolidating concrete, VIBCO has a Vibrating Table solution to meet your needs.

We have the shortest vibrating table lead times on the market. VIBCO's US-TT vibrating tables and US-RD vibrating tables will ship within 7-10 business days (vs. competitor's 4-6 weeks). That means that you will have the vibrating tables that you want, exactly when you want them.

VIBCO fabricates custom tables to meet your specific needs. Our designs use strong lightweight rectangular tubing for more vibration transfer to the load. For more information ask for our foundry bulletin and Catalog #7902 or visit www.vibco.com

TEST TABLE

TEST TABLES

- Simulate Handling & Transportation Shocks
- Detect Marginal Connections
- Verify Integrity of Electric Circuit
- Stop Costly Field Service Calls
- Safe! No Harm to Sound Circuits
- Remove Dangerous Residue
- Inexpensive Full Range Control
- Handles Both Sub Assemblies & Complete Chassis

VIBCO's exclusive patented live top table design assures full, even vibration in all areas of the table top. Consistency and reliability of testing is assured. VIBCO's wide choice of variable and consistent frequency equipment gives the ultimate in low cost product reliability testing. Choose from standard 24" x 24" x 36" high table or special table designed for your particular requirements.

For more information, ask for VIBCO's complete test table brochure.

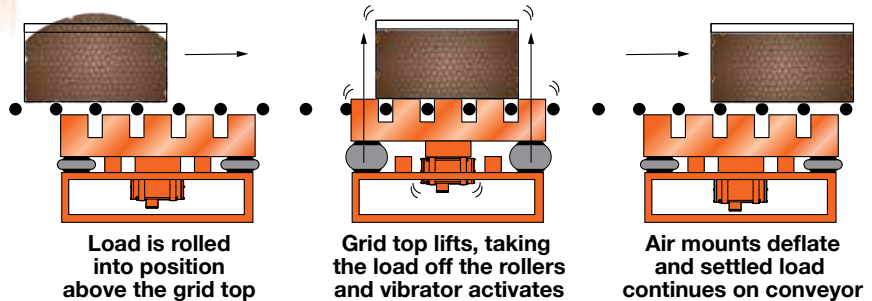
**GRID TOP TABLES
(above & below)**
Heavy duty steel tube
and frame construction

GRID TOP TABLES

- Adaptable to any Roller Conveyor
- Lightweight yet Strong
- Automatic Operation

VIBCO's grid Top Tables solve many filling, packing and weighing problems. Most common is the standard Grid Top Table with vibrators underneath. Other solutions are shown below for weigh scale applications and vibrator placement.

The VIBCO grid top table is designed to fit between the rollers of your conveyor. The load, foundry flask, drum or box - is rolled into position. Air mounts lift the grid top and take the load off the rollers. The vibrators are activated and the load vibrated. Air mounts are deflated and the load is back on the conveyor ready to be moved along. All done in seconds without handling. See illustration below.



VIBRATION TABLES FOR COMPACTION, PACKING & MORE

COMPACTION TABLES

- Heavy Duty for Maximum Load
- Standard or Custom Made to Specification
- 115-Volt Plug-In
- Adjustable Force
- Speed and Impact Adjustable

VIBCO's compaction tables can be supplied with pneumatic or electric vibrators. Most are both speed and force adjustable. Heavy duty construction. "Built in" versatility means these tables can be used for packing, settling, casting concrete as well as fatigue testing.

Vibration is isolated from the frame with inflatable air mounts, rubber mounts or springs.

VIBCO engineers will design a table to meet your specific needs.

Ask for Catalog #7902

FLAT PLATFORM TABLES

- Low Profile - as Low as 2" from Floor
- No Vibration Transfer to the Floor

Vibrating platform with a working surface as low as 2" from floor. The platform table can be used under filling machines for packing drums and barrels. Low profile eliminates the need for raising machinery or breaking into the floor, and makes loading and unloading heavy duty drums easier,

Packing more material per given volume saves costly space and lowers escalating transportation costs.

Ask for Catalog #7902

LOW PROFILE PACKER

- Adjustable brackets for drums or boxes
- Adjustable speed & force
- Low Profile drum packer
- Heavy steel top for long wear
- Remove Dangerous Residue
- Shock absorber to eliminate vibration transfer
- Runners to secure to floor

VIBCO's popular Drum Packer has an adjustable force and speed vibrator to handle a variety of materials. 115 volt makes it easy to move where needed and plugs into any available 115 volt outlet.

COMPACTION TABLE
With High Amplitude Mounts



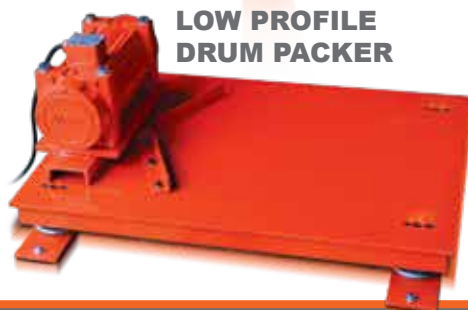
COMPACTION TABLE



LOW PROFILE COMPACTION TABLE



LOW PROFILE COMPACTION TABLE



LOW PROFILE DRUM PACKER



COMPACTION TABLE WITH:
With Explosion-Proof Style 4PX Vibrator and Custom Paint.

MADE TO YOUR SPECS

NOTE: Material, Dimensions & Data subject to change without notice.

VIBCO CONSTRUCTION DIVISION ON THE JOB APPLICATIONS

below: VIBCO CEO, Karl Wadensten, demonstrates the proper use and effectiveness of the GR 1600.



Above: A Model KA, Internal vibrator, with its patented Air-Saver design, gives high frequency, high force performance with the lowest air consumption.

Right & below: Our GR-1600 smoothly rolls the pothole filler material and thoroughly compacts it using vibration.



VIBCO CONSTRUCTION DIVISION

INTERNAL CONCRETE VIBRATORS

Electric Model JV & AC

- Interchangeable Heads
- 3/4" to 2-1/2" Head Size
- Heavy Duty Universal Motor
- Interchangeable Flexible Shafts
- Reversible Shafts for Double Life
- Expansion Shafts Available Up to 21 Ft.



Pneumatic Model KA

- Maintenance Free
- Only One Moving Part
- 1-3/8" to 6" Head Size
- Patented Wear Plate for Longer Life
- Patented Design • Job Proven for Over 40 Years
- Patented Air Saver Chamber for Lower Air Consumption



Ask for
Catalog
#9606

PLATE COMPACTORS FOR ASPHALT OR SOIL

Forward and Reverse Operating MODEL VR-18

- Self Clean Plate
- 2000 TO 4350 lbs. of Force depending on model chosen
- Travels 65-85 ft./min. depending on model



Forward Operating MODEL TP

- Self Clean Plate
- 1500-4500 lbs. of Force depending on model
- Travels 100-110 ft./min. depending on model
- Available models include TP-10, TP-1220, TP-1830 and TP-2045



Ask for
Catalog #9808

POT-HOLE PACKERS & ROLLERS FOR ASPHALT AND SOIL COMPACTION



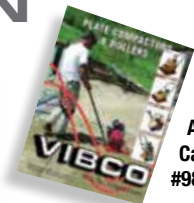
GR-3200

- Better uphill traction
- Corrosion-resistant water sprinkler system
- Low-cost compactor for mid-sized jobs
- One year/1000 hour parts & labor warranty



GR-1600

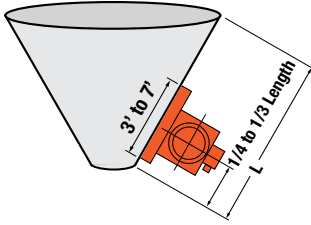
- One Man Operation
- Light 92 lbs
- Water Tank
- 1600 lbs Force
- 8" Compaction



Ask for
Catalog
#9808

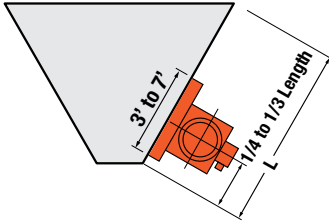
NOTE: Material, Dimensions & Data subject to change without notice.

MOUNTING VIBRATOR ON BINS



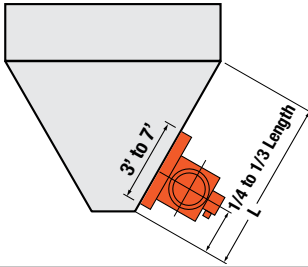
1. CONICAL HOPPERS:

Mount vibrator to hopper wall 1/4 to 1/3 the distance to the top. Should a second vibrator be necessary, it should be mounted diametrically opposite and approximately 1/2 way up the wall.



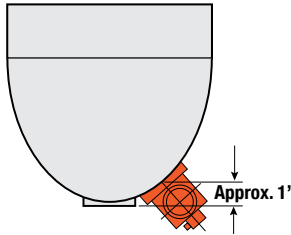
2. RECTANGULAR HOPPERS:

Mount as for conical hoppers on the centerline of one side. A second vibrator may be required if the complete cleaning of corners is desired. Mount as per paragraph 1.



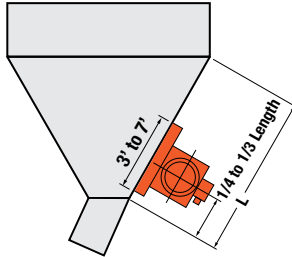
3. RECTANGULAR BINS WITH HOPPER BOTTOMS:

Usually requires a larger force vibrator than above situations because of additional "head" load of material. Locate vibrator 1/4 to 1/3 distance of sloping section and mount as in paragraphs 1 & 2.



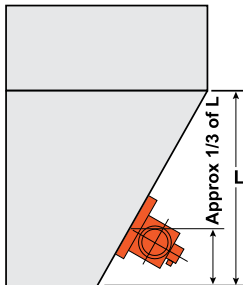
4. PARABOLIC BINS OR HOPPERS:

Mount vibrator within 1 foot of each discharge opening and in-line with center of opening.



5. BINS WITH SLOPING CHUTE DISCHARGE:

Vibrator is mounted 1/8 to 1/6 up the bin wall that is contiguous with the underside of the chute. This lower mounting position puts vibrator close to bin discharge throat and assures vibration transference into chute.



6. BIN OR HOPPER WITH VERTICAL SIDE:

Mount vibrator on wall with least slope in similar manner as with paragraph 3, rectangular bins with hopper bottoms.

For instructions on stiffening of bins and mounting procedures ask for Vibrator Mounting Instructions.

NOTE: for other applications not covered here please consult factory for recommendations. This is a free service and without obligation to you.

HOW TO SELECT THE PROPER VIBRATOR IN 3 EASY STEPS

1. DETERMINE NEEDED VIBRATOR FORCE FOR YOUR APPLICATION
2. FIND AVAILABLE VIBRATOR MODELS
3. SELECT ELECTRIC, PNEUMATIC OR HYDRAULIC OPERATION.

1. DETERMINE NEEDED VIBRATOR CENTRIFUGAL FORCE (IMPACT) FOR YOUR APPLICATION

A. BINS, HOPPERS

To move the material in a bin or hopper, the friction between the material and the bin skin has to be broken. Once this is done the material cannot cling to the bin sides and it will flow out through the discharge. The vibrator force needed to accomplish this, is for 80% of all applications, very simply calculated as follows:

Calculate the weight of the material in the transition or *sloping part of the bin*. Normally this is the only place where the friction between the material and the bin sides has to be broken. DO NOT CALCULATE THE TOTAL WEIGHT, ONLY WHAT IS IN THE TRANSITION PART.

For CONICAL BINS, calculate as follows: $.261 \times \text{dia.}^2 \times \text{height} \times \text{material density in lbs/cu. ft.}$

For RECTANGULAR BINS, $\text{length} \times \text{width} \times \text{height} \times 1/3 \times \text{material density.}$

When the weight has been calculated, divide by 10. The figure you get is the force or impact needed on your vibrator _____ lbs. Continue with paragraph B.

For example: The conical part of a 25 ton bin contains 7000 lbs. Divide 7000 by 10, you need a vibrator with 700 lbs. of centrifugal force or impact. Find suitable vibrator under Paragraph B.

NOTE: Additional considerations when sizing vibrator to bins.

1. If bin side angle is below 30°, select next larger vibrator.
2. If bin thickness is extra heavy (see table under section B), select next larger vibrator.
3. On real sticky and hard to move materials, it is better to use two (2) small vibrators instead of a large one (find the smaller one by figuring half the material weight.)

B. VIBRATING TABLES

1. PACKING MATERIAL

Dense materials respond best to high frequency vibration (3600 RPM or more) while light, fluffy or flaky materials respond best to low frequency vibration (1800 RPM or less).

For packing or settling materials, use a vibrator with an impact force of (1.5) to 2 times larger than the weight of the material plus container. Find suitable vibrator under Paragraph 2.

C. VIBRATING SCREENS

Rule of Thumb: for self-cleaning screen use a vibrator with a centrifugal force (impact) four (4) times the weight of the material plus the weight of the screen.

NOTE: Coarse and lumpy materials respond best to 3600 VPM (vibrations per minute), powdery and dry materials, 1800 VPM, sticky and wet materials, over 3600 VPM.

D. CONSOLIDATING CONCRETE

Rule of Thumb: For 3" "slump" concrete use a vibrator with the same force (impact) as the weight of concrete and form. For 1-2" slump concrete, an additional 30-50% impact is needed. For dry mixes (0-slump) add 100-200%.

NOTE: FOR ADDITIONAL SIZING INFORMATION, SEE PAGES 60-61 for suitable brackets. Find suitable vibrator under paragraph B. Ask for Bulletin 0103 and 8401.

E. RAILROAD CARSHAKERS: SIZING, SEE PAGES 58-60.

F. MATCH PLATE - FOUNDRY: SIZING, SEE PAGES 20-21.

G. FOR SPECIAL APPLICATIONS AND QUESTIONS CONTACT VIBCO FOR FREE RECOMMENDATION.

VIBRATOR SELECTION (cont.)

2. FIND AVAILABLE VIBRATOR MODELS

From the table below, draw a line across from the force calculated in paragraph A. You will find you have a choice of several vibrators, both electric, pneumatic and hydraulic models. List them below and continue with Paragraph C.

MODEL: _____

To continue with the example - 700 lbs. of vibrator force is needed. Draw a line straight across from 700 lbs. The line will cross the force ranges of suitable vibrators: Electric Models 2P-450; 2P-800; 4P-1400; 4P-1000; 6P-1000; US-1600; US-900; SCR-1000; and Pneumatic Models BVS-510, VS-510; BVS-320, VS-320; BV-380, V-380; BV-320, V-320; 1-1/2L or LS, 2S; 2, 2LS; 3, 3LS; 4, 3L; SVRS-SVR-3000, SVR-4000; PC-PF-3500; PC-PF-3000; HF-1500; HF-800; HC/HF-3000; LH-3500; LF-1000. Now continue with Paragraph C to make final selection.

Vibrator Force or Impact lbs.	ELECTRIC MODELS										PNEUMATIC MODELS						HYDRAULIC MODELS		Bin Skin Thickness, Max
	2P page 42-43	4P page 44-45	6P page 44-45	8P page 2-45	SPR page 40-41	US page 46-47	SFC page 51	FC page 51	SCR page 38-39	TURBINE page 8-21	BALL page 22-23	PISTON page 24-29	SVR page 30-32	BIG BUSTER page 34-35	TURBINE page 34-35	BIG BUSTER page 34-35			
10																	20 Ga.		
20					SPR 20 & 21												20 Ga.		
40	2P-75				SPR 40												1/16		
60					SPR 60												1/8		
80	2P-100				SPR 80												3/16		
100						US-100											1/4		
150	2P-150																5/16		
200	2P-200					US-300											5/16		
300		4P-350															3/8		
400		6P-300															3/8		
500		6P-500															7/16		
600	2P-450																7/16		
700		4P-700															1/2		
800						US-900											1/2		
900																	1/2		
1000	2P-800				6P-1000												1/2		
1200		4P-1400															3/4		
1400	2P-1700																3/4		
1600		4P-2000															3/4		
2000	2P-2500																3/4		
2500		4P-3000															3/4		
3000																	1		
3500		4P-5000															1		
4000																	1-1/4		
4500																	1-1/4		
5000																	1-1/4		
6000																	1-1/4		
7000																	1-1/4		
8000																	1-1/4		

3. SELECT ELECTRIC, PNEUMATIC or HYDRAULIC OPERATION

ELECTRIC VIBRATOR MODEL SELECTOR

ELECTRICAL DATA	MODEL								
	2P	4P	6P	8P	SPR	US	SFC	FC	SCR
115 volt 1 phase	X	X	X	X	X	X	X	X	X
230 volt 1 phase	X	X	X	X	X		X	X	X
Any voltage, 3 phase	X	X	X	X			X	X	
50 cycles	X	X	X	X	X	X	X	X	X
Continuous duty	X	X	X	X	X	X	X	X	X
Intermittent duty						X			
More than 20 stops & starts per hour. 3 phase	X	X	X	X			X	X	
More than 20 stops & starts per hour. 1 phase	Z	Z	Z	Z	X	X	Z	Z	
Totally enclosed	X	X	X	X	X	X	X	X	X
Outside fan cooled							Z	X	
Open Construction					Z	Z			
Built in overload protection. 1 phase	X	X	X	X	X	X	X	X	X
Adjustable speed					Z	X			X
Adjustable eccentric	X	X	X	X	Z	X	X	X	X
Decibel at 3' on A scale	60	60	60	60	48	90	62	62	65
APPLICATION									
Outside	X	X	X	X	X	X	X	X	X
Water splash	X	X	X	X	X	X	X	X	X
Powder in air, dry	X	X	X	X	X	X	X	X	X
Powder in air, sticky	X	X	X	X	X	X	X	X	X
Powder in air metallic	X	X	X	X	X	X	X	X	X
High temperature	Z	Z	Z	Z			Z	X	X
Bins with coarse material	X	X	X	X	X	X	X	X	X
Bins with fine material	X	X	X	X	X	X	X	X	X
Bins with lumpy or sticky material	X	X	X	X	X	X	X	X	X
Bins with stringy material		X	X	X	X	X	X	X	X
Bins with powdery & sticky material		X	X	X	X	X	X	X	X
Packing coarse material		X	X	X	X	X	X	X	X
Packing fine material	X	X	X	X	X	X	X	X	X
Stringy-fluffy material.			X	X					
Concrete	X					X			
Screens		X	X	X					X
Feeder chutes	X	X	X	X			X	X	X

Z - See bulletin covering the model line or Consult VIBCO

PNEUMATIC VIBRATOR MODEL SELECTOR

ELECTRICAL DATA	PNEUMATIC					
	Turbine	Ball	Piston	SVR	SVRS	Big Buster
Decibel at 3' on A scale*	72-78	85-95	90-95	95-105	80-85	80-90
Air Consumption**	2	3	1	6	5	4
Repair Cost**	1	3	2	4	5	6
Maintenance Cost**	1	3	2	4	5	6
Purchasing Cost	2	3	1	4	5	6
Patented Design	X			X	X	X
Lubrication Required		X	X	X	X	X
No Lubrication Required	X					
Requires Clean Air			X	X	X	X
Tapped Exhaust for leading away exhaust air	X	X	X		Z	X
High Temp		X				
Steam Pressure cleaning	X	X		X		
Concrete Application	X			X	X	

* Average Reading
 ** Lowest Number is best (Example: Piston lowest in air consumption, then Turbine, Ball, Big Buster, SCRS & SVR)

GENERAL COMMENTS:

In general, electric vibrators are initially higher in cost than pneumatic vibrators; however, the operation cost is considerably less and the difference in price and installation cost is recaptured in a few months of operation. The electric units have the lowest noise readings, 60-70 dB, no more sound than an electric motor. The life expectancy is 2-3 times that of an air operated unit. The life of an air operated unit is, to a great extent, determined by the cleanliness of the compressed air and the operating pressure. Maximum operating pressure is 80 PSI, above 80 PSI, the life of the pneumatic vibrator diminishes rapidly. The dBA reading on piston vibrators is 80-110, on ball vibrators, 80-115. The ONLY pneumatic units with a dBA reading of 60-80 are the TURBINE VIBRATORS. The least air consuming are the piston vibrators, then the turbine, ball and SVR high frequency vibrators. As a general rule: for standard applications, limit your selection of vibrators to the SCR Electric Vibrator Line and the Turbine Pneumatic Vibrators. They will give you the latest in vibration technology and design with the lowest noise, the best life, the least maintenance, and the lowest energy consumption.

The hydraulic vibrators are fast gaining acceptance but still primarily used on OEM equipment for food and related products.

For additional selection considerations, see table for electric vibrators and pneumatic vibrators located on this page. Also look up the pages for each specific vibrator for additional information.

To continue with our example: Choose electric model 2P-450 or 2P-800 if bin contains fine granular material (see also page 42-43); 4P-700 or 4P-1000 if bin contains lumpy or stringy material (page 44-45); US-900 if bin contains light, powdery or real sticky material (cement, concrete, molasses, etc., page 46-47); SCR-1000 (page 38-39) when different materials are used in the bin and different frequencies or forces are needed. For additional considerations, also see "Electric Vibrator Model Selection" table on this page.

When choosing a pneumatic vibrator, see table on this page "Pneumatic Vibrator Model Selection". The turbine BVS and VS-380 (page 8-11) is noiseless, meets OSHA, has low maintenance cost, and needs no lubrication, (all other pneumatic vibrators need lubrication).

Difference between BVS and VS: In BVS, the air exhaust is threaded allowing connection of a hose or pipe; permitting the exhaust air to be exhausted outside work area; or used with different mufflers. Most VS have a built-in muffler or threaded exhaust for a muffler to exhaust the air into the atmosphere where the vibrator is mounted.

Ball vibrators BV-380 or V-380 (page 22-23): Noise level increases rapidly as ball and race wears. Use in high temperature applications. Difference between BV and V is the same as with BVS and VS.

Piston models 50-2L and 50-2LS are used for low cost and low air consumption, must be lubricated. Pistons are preferable on feeders and packing tables. Comes in silent and non-silent models, (page 24-25).

Big Buster, PC-3500 is primarily used for railroad car shakers where a high intermittent force is needed (pages 34-35, 58-59).

A WIDE SELECTION OF ELECTRIC, PNEUMATIC,

FORCE 20 40 60 80 100 150 200 300 400 500

ELECTRIC

SMALL IMPACT LINE (pages 40-41)

SPR, SPRT, SPRWT			
20	40	60	80



SCR ADJUSTABLE SPEED & FORCE (pages 38-39)

SCR-50		SCR-100	SCR-200	SCR-300	SCR-350	SCR-400	SCR-500
--------	--	---------	---------	---------	---------	---------	---------

2P, 4P HEAVY DUTY LINE (pages 42-45)

2P-75	2P-100	2P-150	2P-200
		4P-350	4P-600/700

SFC & FC (page 51)

SFC-100	SFC-300, FC-100	FC-300
---------	-----------------	--------

US-HIGH FREQUENCY LINE, DC-12 VOLT DC BATTERY OPERATED (pages 46-47)

US-100	US-450	
DC-100	DC-450, DC-200, DC-300	DC-500



PNEUMATIC

SILENT TURBINE VIBRATORS (pages 8/21)

BBS, FBS, VS-100, BVS-60	BBS, FBS, VS, BVS-130	VS, BVS-160	VS, BVS-190	VS, BVS-250
--------------------------	-----------------------	-------------	-------------	-------------

BBS-160



BALL VIBRATORS (pages 22-23)

BB-100, V-100, BV-60	BB, V, BV-130	BB-160	BB, BV, V-190	BV, V-250	BV-320
----------------------	---------------	--------	---------------	-----------	--------

V-130



V-190



BV-320



PISTON VIBRATORS (pages 24-29)

10-5/8	10-3/4	10-1	50	10-1-1/4	50, 55-1-1/4	50, 55-1-1/2	10 & 20-1
		55-1, 1-1/4S		50, 55-1-1/2S			50-1-1/2L, LS



HIGH FREQUENCY (pages 30-33)

BIG BUSTER PNEUMATIC (pages 34-35)

HYDRAULIC

(pages 34-35)















B-190

B-250

Follow selected vibrator force line vertically to select the correct vibrator to meet your force needs. Material, Dimensions & Data subject to change without notice. Some Values approximated.

AND HYDRAULIC VIBRATORS FROM VIBCO

560 600 700 800 900 1000 2000 3000 4000 5000

																							
SCR-1000																							
										2P-800		2P-2500		2P-4500		2P-5500							
										2P-450		2P-1700		4P-3000		4P-5000							
4P-1000										4P-1400		4P-3000		4P-5000									
																							
US-450														US-1600									
US-700										US-900		US-1600											
DC-700										DC-900		DC-1600		DC-3500									
																							
VS-320																CCF-5000							
VS, BVS-320										VS, BVS-380		VS, BVS-510		BVS-570		CC-2000		CCF, CCL, CCW-5000					
BV, V-320										BV, V-380													
																							
										50-2L		50,55-3S		50-3L, 50-4									
										50, 55-2S		50, 55-3		50-3LS		SVR, S-4000		SVR, S-5500		SVR,S-6500			
																							
PC-3500										PF-800		PF-1200		PF-1500		PF, PC-3500							
												LH-1000		LH-1800		LH-3500							
B-320										HLF-1300		HF-1500		HL-3000									
HLF-700										HF-800		HF-1200		HC, HF-3500				HLF-700					

FOR VIBRATOR FORCE OR IMPACT IN LBS., SEE PAGES 73-75

CONSTRUCTION & INDUSTRIAL APPLICATIONS



Contact VIBCO for your brochure copy & for more information!

VIBCO SUPPLIES MANY SPECIALTY VIBRATORS

Use this handy QR Code to download any of our Product Catalogs

Go to www.vibcovibrators.com to order printed catalogs or to download them

HANDBOOK AND EQUIPMENT GUIDE: External Concrete Vibration

- ▶ How-to-Booklet
- ▶ Application Photos
- ▶ Selection & Locating Guide
- ▶ Catalog #8401

HANDBOOK AND EQUIPMENT GUIDE: Vibration of walls and Columns

- ▶ How-to-Booklet
- ▶ Engineering Data
- ▶ Application Photos
- ▶ Catalog #0103

PNEUMATIC TURBINE VIBRATORS

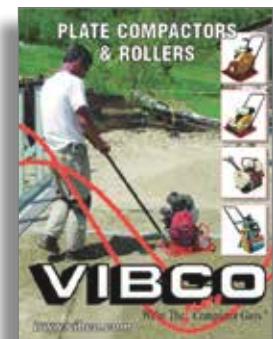
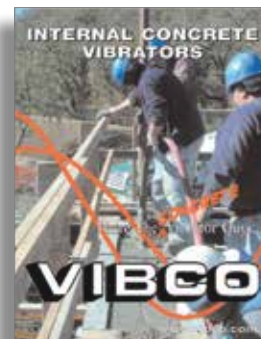
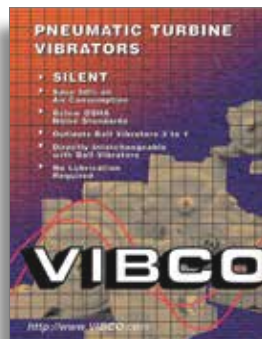
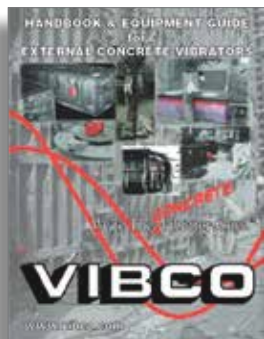
- ▶ Silent Operations
- ▶ No Lubrication
- ▶ Longer Service Life
- ▶ Catalog #9127

INTERNAL CONCRETE VIBRATORS

- ▶ Electric 1-3/8" to 2-1/2" Head Size
- ▶ Pneumatic 1-3/8" to 3" Head Size
- ▶ Interchangeable Head and Shaft
- ▶ Catalog #9606

PLATE COMPACTORS & ROLLERS

- ▶ 12" to 20" Plates
- ▶ Reversible and Single Directional Plates
- ▶ Rollers in sizes of 12" and 36"
- ▶ Catalog #9808



RAILROAD CAR SHAKERS

- ▶ Largest Line, Light and Portable
- ▶ Electric, Pneumatic or Hydraulic
- ▶ Silent Models
- ▶ Catalog #9126

BIG BERTHA: Dump Body Vibrator

- ▶ Dump Body Vibrators
- ▶ How-to-Select Guide
- ▶ Drawing and Dimensions
- ▶ Catalog #BB08919

AIR CANNONS

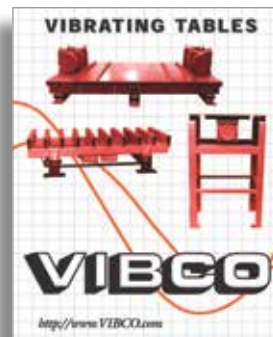
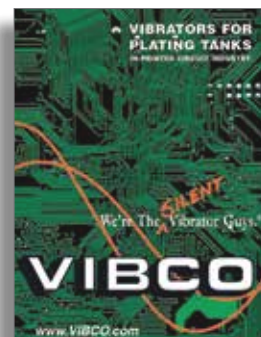
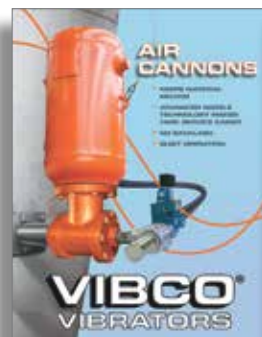
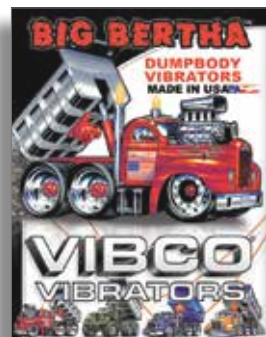
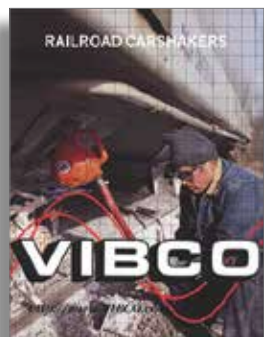
- ▶ Patented Dual Piston Design
- ▶ Uses Normal Plant Air
- ▶ Install in any position
- ▶ Catalog #CAT-P-AC-09919

VIBRATORS FOR PLATING TANKS

- ▶ Designed for Printed Circuit Industry
- ▶ Electric & Pneumatic Models
- ▶ Application Photos
- ▶ Catalog #9709

VIBRATING TABLES

- ▶ Densify & Compact Materials in Bags, Carton Etc.
- ▶ Fatigue & Quality Control Testing
- ▶ Custom Tables
- ▶ Catalog #7902



CUSTOM APPLICATIONS & OEM

#VIBCO SOLUTIONS



HAVE IT YOUR WAY

"We're the Expert Vibrator Guys"™ and prove it every day by offering over 1800 standard products - many of them are shown in this catalog. We use environmentally friendly paints and manufacturing techniques and have a first-rate recycling program in our machine shop.

You may not be as familiar with our capabilities to tailor our vibrators to your unique specifications.

We make vibrators for special environments. Consider using the VIBCO Millennium MLT/MHI Silent Turbine Vibrators for these applications:

- Food production
- Chemical production
- Pharmaceutical production
- Other operations that require sanitary working conditions

Special coatings and housings are available including:

- Bakers enamel
- Poly
- Stainless steel

We also manufacture:

- Vibrators for high temperature (HT) or low temperature environments
- Vibrators for caustic environments

VIBCO has a vibrator that will work for you. Contact VIBCO to speak with an application engineer about your special requirements today!

VIBCO ELECTRIC VIBRATORS

Options include adjustable speed and force, heavy duty, high frequency and explosion proof models. VIBCO's Silent Electric Vibrators are totally enclosed and can be used inside or outside, in dust, dirt, rain or snow. They speed the flow of bulk materials through any size bin, hopper or chute. They pack material in drums and bags, consolidate concrete, aid the efficiency of material through screens - whatever your challenge, VIBCO has a solution.

VIBCO electric vibrators typically have 2-3 times the life expectancy of air-operated units even under the toughest conditions including corrosive environments.

VIBCO's Big Bertha™ Dump body Vibrators and SandBuster™ Spreader Hopper Vibrators are perfect for trucking and mobile applications. (See pages 48-50)

VIBCO HYDRAULIC VIBRATORS

VIBCO offers a complete line of hydraulic vibrators to suit your needs. You can save time and money on maintenance, labor and hassle with a VIBCO Hydraulic Vibrator. Their reliable, trouble-free operation make them an ideal OEM solution and a great after-market replacement.

They are the perfect choice for heavy-duty, dirty jobs like construction equipment, farm equipment, mining, construction, concrete forming equipment and a wide variety of other applications in wet, muddy, or dusty conditions. They operate in any position on pressure up to 3000 PSI.

VIBCO PNEUMATIC VIBRATORS

Go on line and hear for yourself the difference between VIBCO Silent Vibrators and Ball and Piston Vibrators. Listen to a ball vibrator then listen to a piston vibrator and finally listen to a virtually silent VIBCO pneumatic turbine vibrator. You will find the links here: <http://www.vibco.com/products/pneumatic-vibrators>

Workplace safety is an important concern and Occupational Noise Exposure is one of the most often cited standards of OSHA (the Occupational Safety and Health Administration, Department of Labor). VIBCO's Silent Turbine vibrators virtually eliminate the noise normally associated with vibrators.

PLATE COMPACTOR & ROLLER

VIBCO Patchman™, VIBCO/Heinrich Plate Compactors and VIBCO Vibratory Rollers are the highest-quality compactors available with the shortest lead times in the

business. You can have the equipment you need, with the options you want when you need them. Use VIBCO Vibrator Plate Compactors and Rollers for landscape maintenance, pothole and chuckhole repair, and all types of road, pavement and asphalt maintenance.

QUALITY VIBRATING TABLES

From testing to settling material for shipping or consolidating concrete, VIBCO offers affordable, effective and durable vibrating tables to suit any industrial or construction application. Plus, we have the shortest vibrating table lead times on the market - we build to your needs.

VIBCO AIR CANNONS

The VIBCO Air Cannon consists of a high-pressure tank storing compressed air (80 to 125 PSI) and a quick release piston valve that, on command, instantly releases compressed air into the bin or silo to fluidize the material. Ask our Technical Support Team for help sizing, selecting and mounting VIBCO Air Cannons.

VIBCO VIBRATORS DELIVERED ON TIME . . . YOUR WAY

Special orders are engineered expertly, but we also do an exceptional job with our off-the-shelf vibrators! VIBCO understands that long lead times cost you money — that's why all of VIBCO's standard products are available to ship the **SAME DAY** or very **NEXT DAY** we receive your order. We also make sure that you receive the factory support that you need by having live, friendly customer service agents available to assist you from 7:30am — 8:00pm EST, and 24 hour technical support.



TRUE NORTH

- Same Day - Next Day
- Quality
- Throughput
- Innovation
- 100% Employee Engagement

#VIBCO SOLUTIONS

- ▶ ELECTRIC, PNEUMATIC & HYDRAULIC VIBRATORS
- ▶ AIR CANNONS
- ▶ RAIL ROAD CAR SHAKERS
- ▶ VIBRATING TABLES
- ▶ COMPACTORS & ROLLERS



VIBCO®
VIBRATORS

<http://www.VIBCO.com> • vibrators@vibco.com

 #VIBCOsolutions

MADE IN USA 

75 Stilson Road, Wyoming, RI 02898
tel: 401.539.2392 • 800.633.0032

CANADA 

2215 Dunwin Drive, Mississauga, Ont. L5L 1X1
tel: 905.828.4191 • 800.465.9709