

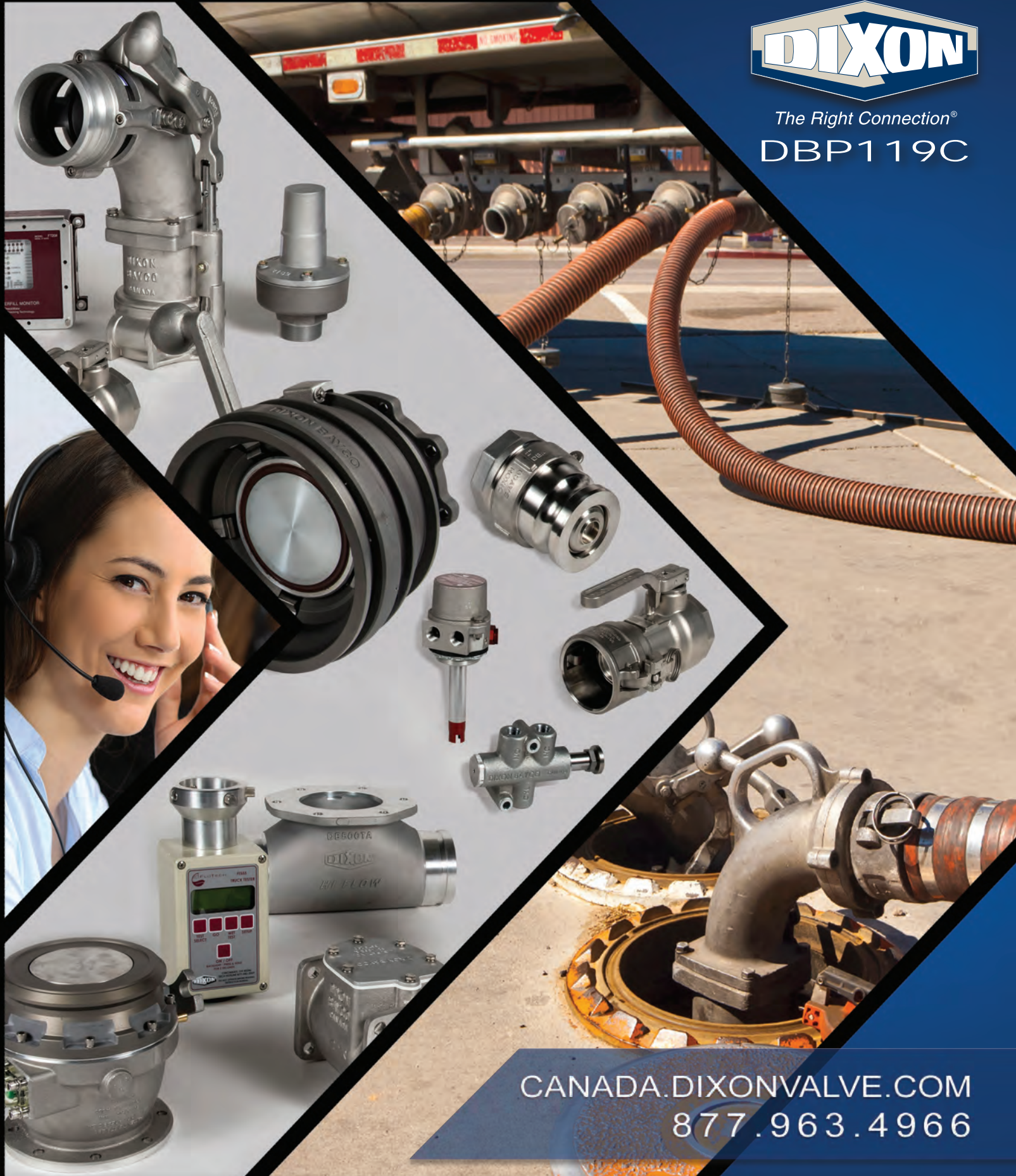


DRY BULK PETROLEUM & OVERFILL

DBP119C



The Right Connection®
DBP119C



CANADA.DIXONVALVE.COM
877.963.4966

Common Excellence • Uncommon Excellence • Uncommon Excellence • Uncommon Excellence

Table of Contents

Dry Bulk

Petroleum

Overfill Detection

Dry Bulk
Replacement Parts

Petroleum
Replacement Parts

Overfill Detection
Replacement Parts

Index

Dry Bulk	2-25
Air relief valve technical information.....	2, 22
Theory of operation.....	2
Periodic inspection, cleaning and maintenance.....	2
Products for blowers	4, 9
Blower air relief valves (2182 series).....	4
Blower mounted swing check/air relief manifolds.....	9
Trailer/tank mounted air relief valves .	5-9
Fixed pressure setting.....	5
PVC coated lanyards.....	5
Adjustable pressure setting.....	6
Vacuum relief.....	7
Air relief valve settings.....	7
Air relief valve flow rates.....	8
Blower mounted swing check/air relief manifolds.....	9
TTMA flange adapters	10, 23
Swing check valves	11
High Flow series.....	11
Pneuclean™ pneumatic filtration system	12
Clump busters	13
Cam and groove in-line sight glasses.....	13
Groove connections	14-16
Aluminum bolt clamps.....	14
Groove x groove painted iron bolt clamps.....	14
Aluminum quick connect clamps.....	15, 16
Butterfly valves	17-19
One-piece	
Iron disk/black Buna-N seals.....	17
Stainless disk/white Buna-N seals.....	18
Two-piece	
Stainless disk/white Buna-N seals.....	18
Composite.....	19
Handle kits.....	18
Aluminum.....	18
Composite.....	19
Hopper tees	20
Straight tees.....	20
Bottom drop tees.....	20
Disk fluidizers	21
Hose tube doors.....	22
Air relief valve testing equipment	22

TTMA flange adapters	10, 23
Threaded flange adapters.....	10
Flange dimensions.....	10
Flange gaskets.....	10
Reducing flange adapters.....	23
Weldable flanges.....	23
Cam and Groove	24-25
Coupling x TTMA flange.....	24
Coupling with straight thread (NSPM).....	25
Petroleum	26-64
Fuel compatibility chart.....	28
Loading, gasket and seal recommendations for alternative fuels.....	29
API Valves	30-32
Dust caps.....	31
Dust caps & dust plugs with handle.....	31
Drop adapters.....	31
Gravity drop adapters.....	32
Dust caps.....	32
Flanged Connections and Accessories .	33-36
TTMA flanged sight flow indicators.....	33-34
Product indicators.....	34
Cam and groove x TTMA flanges.....	35
TTMA flange reducer.....	36
TTMA butterfly valve spacer.....	36
API and TTMA flange gaskets.....	36
Fuel Delivery Elbows	37-39
6500 Series- heavy duty	
fuel delivery elbows.....	37
Straight drop fuel delivery connectors.....	38
Fuel delivery elbow inlets	
and anti-spill tubes.....	38
Side seal fuel delivery elbows.....	38
Side seal to top seal adapter.....	39
Elbow height extensions.....	39
Tank cabinet dummy weld-on-adapters.....	39
Coaxial Single Point - Fuel Delivery/ Vapor Recovery Elbows	39-40
Replacement fuel inlets and vapor outlets.....	39
Coaxial elbows.....	40
Fuel Station	41
Delivery in-ground adapters and caps.....	41
Vapor recovery adapters and caps.....	41
Vapor Elbows	42, 44
Single point - coaxial elbows.....	42
Dual point - vapor recovery elbows.....	44

Tank Vapor Equipment	43-47
Tank vapor return valves.....	43
Orange vapor caps.....	43
Vapor hose couplings.....	44
Sequential vapor vents.....	44
Outbreathing and inbreathing vents.....	44
Air interlock valves.....	45
Heavy duty 6 port valve.....	45
Accessories.....	45
Hose tube doors.....	46
Static grounding balls.....	46
Tanker pipe caps.....	46
Ball valves.....	47
One way, full flow.....	47
Two way, 3 port, diverting.....	47
Dry Disconnect Couplings	48-51
Cam and Groove Style.....	48-51
Female NPT adapters.....	48
jump size female npt adapters.....	49
Female NPS vapor adapter.....	49
150# flange adapter.....	49
Female NPT couplers.....	50
Greaseless female npt couplers.....	50
Female NPT swivel couplers.....	50
Valve handle locking kits.....	51
D2C couplings.....	51
Bayonet Style.....	52-53
Female NPT adapters.....	52
Female NPT couplers.....	52
Caps and plugs.....	53
API Couplers	54
Bonded nose seal.....	54
Replaceable nose seal.....	54
Groove Connections	55-56
Aluminum bolt clamps.....	55
Groove x groove painted iron clamps with Baylast™ gaskets.....	55
Replacement clamp gaskets.....	55
Grooved pipe nipples.....	56
Fuel Nozzles and Accessories	56-62
Automatic shut off.....	56-57
Farm and consumer nozzles.....	56
Big Mouth™ diesel nozzles.....	57
Fuel Master™ diesel nozzles.....	57
DEF Automatic diesel nozzles.....	57
Fueller 100™ automatic diesel nozzles.....	57
Manual shut off.....	58-60
Pressure nozzles for bulk delivery.....	58
Replacement spouts.....	58
Large capacity low pressure gravity nozzle.....	58
Ball nozzles for bulk delivery.....	59

Table of Contents

Manual shut off nozzles (continued)	Stainless steel probe and sensor housings .80	API compatible loading rack cords88
Replacement spouts and quick fill swivel nuts59	System sensor dummy85	API optic cord assemblies88
Standard low pressure gravity utility nozzle60	ROM Type Overfill/Retain Detection (Red and Black 2 Wire) Systems 74-77, 80	API thermistor cord assemblies88
Replacement spouts60	Overfill detection systems74	Flotech™ junction boxes89
Aircraft over wing nozzles61	Top detection only74	Junction box cord assembly accessories89
Male x female NPT nozzle swivels61	Top and bottom74	Flotech™ FT7000 series rack control monitor90
Male NPT x hose shank swivels61	Onboard monitor75	Rack cord assemblies and parts91
Breakaways62	Overfill sensors75	Reelcraft® static discharge reels92
Multi-plane hose swivels62	Retain sensors76	FloTech™ Replacement Parts 93-94
Fuel Tank Accessories 63-64	Replacement parts77	Competitor Cross Reference Charts 95-98
Automatic pressure/vacuum relief caps63	Stainless steel probe and sensor housings80	Liquid level sensors95
Standard vent caps63	FloTech™ API Optic Overfill Detection (5 Wire) Systems 78-80	Onboard monitors95
Automatic pressure/vacuum relief caps63	Overfill detection systems	Sockets96
Fuel station fuel tank vents64	Top detection only78	Hardware and system testers96
Fuel tank suction deflectors64	Onboard monitor79	API rack cords96
Overfill Detection 65-100	Overfill sensors79	Onboard systems97-98
Important information about Dixon®	Stainless steel probe and sensor housings80	Replacement Parts 101-199
FloTech™ overfill detection products66	Sockets 81-86, 99-100	Dry Bulk.....101-113
FloTech™ Checkmate Overfill/Retain Plug-n-Play System 67-71	Single sockets with	Blower air relief valves..... 101-104
Monitors with integrated	aluminum hardcoat J-slot81	Trailer/tank truck mounted vacuum relief valves105
Dual sockets67-68	Single sockets with GFL (Guaranteed for Life) stainless steel j-slot wear rings82	Cam and groove in-line sight glass106
Stand alone monitors69	EZ-Cept sockets83-84	Swing check valves106-109
Socket assemblies69	Socket cleaner84	Clump buster110
Overfill sensors and probes70	Socket profiles99-100	Groove pipe connections111
Retain sensors70	Grounding ball and bolt85	Butterfly valves112
Wiring harnesses71	Flotech™ checkmate overfill/retain (Black & white 2 wire) system	Hopper tees113
FloTech™ Checkmate Overfill Detection Black and White 2 Wire Systems 72-73, 80, 85	sensor dummy85	Petroleum114-173
Overfill detection systems72	Multi wrench85	Fuel tanker loading/unloading114-120
Top detection only72	Cables and strain reliefs86	Fuel delivery121-128
Top and bottom72	Electronic Equipment 86-87	Fuel delivery/vapor recovery129-139
Onboard monitors73	Optic system testers86	Fuel tanker140-143
Overfill sensors73	FloTech™ truck testers87	Dry disconnects144-163
Retain sensors73	FloTech™ FT590 series rack monitor	Fuel nozzles164-173
FloTech™ (continued)	Testers and mini trailer overfill system87	Overfill 174-199
	API compatible cord assemblies 88-92	Fuel tanker overfill detection174-199
		Index 200-214

We Commit

- To ensure that internal and external customer needs are identified and that our products and services meet these needs.
- To fully meet and exceed the requirements of the ISO 9001 Quality Program.
- To strive for quality in each and every phase of our business.
- To exceed competitor's quality.
- To provide systems and training for all Dixon® employees.
- To create an environment that will allow each employee to do it right the first time, and accept the responsibility for quality in each and every task they perform.
- That no employee will ever be called on to do anything morally, legally or ethically wrong.

Bayco brand dry bulk products are designed for use with bulk trailers and truck blowers for the pneumatic transfer of dry bulk commodities such as powders, grains and plastic pellets. Other industrial applications are possible where pneumatic control of air or dry products is required.

Air and Vacuum Relief Valves

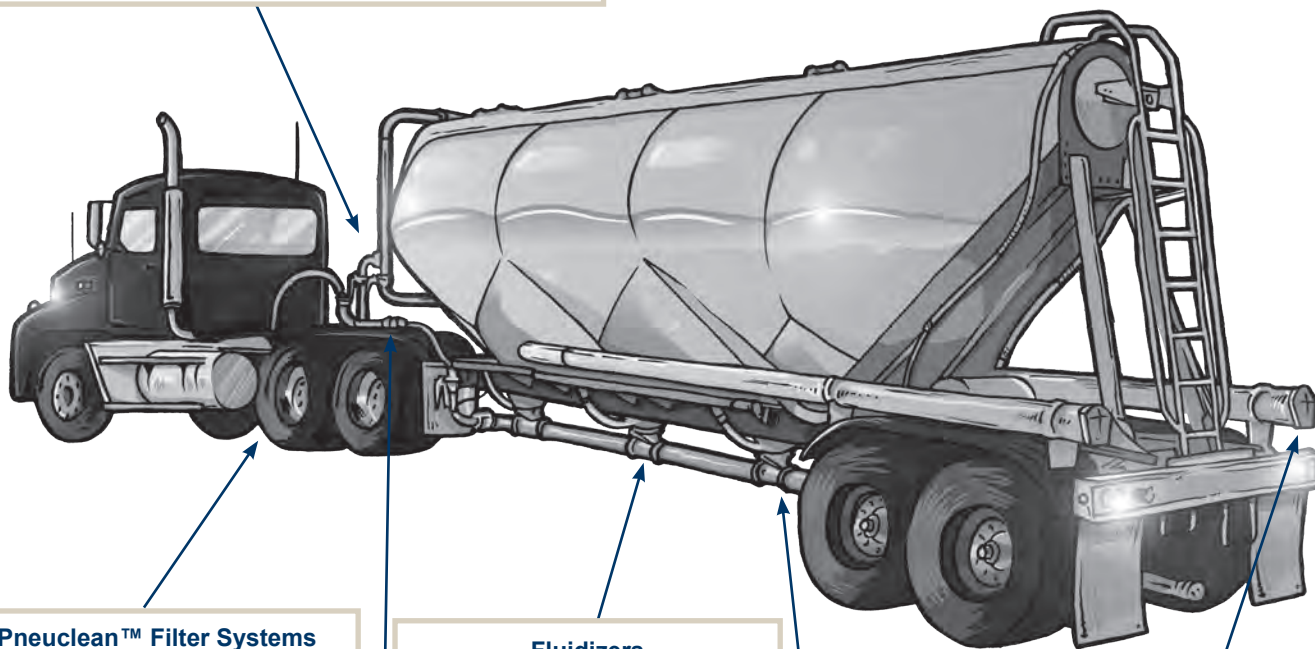


Pages 3-8

Accessories



Pages 10, 14, 23, 25



Pneuclean™ Filter Systems



Page 13

Fluidizers



Page 21

Tube Doors



Page 22

Swing Check Valves



Pages 11-12

Butterfly Valves and Hopper Tees



Pages 17-22

Air Pressure Relief Valves

Theory of Operation

All Bayco air relief valves are spring-loaded system-pressure actuated devices consisting of a valve disc held in a closed position against a valve seat by means of a spring. The pressure in the system to be protected acts on the valve disc and tends to open the valve; however, the spring load is set to ensure that at normal operating pressures, the pressure in the system is insufficient to open the valve. However, when the system pressure builds to a level where the pressure load on the valve disc is equal or near to the load exerted by the spring, the valve will begin to open. If the pressure in the system were to be held at this level, the load due to system pressure and the spring load would remain in equilibrium and the valve would be neither opened nor closed. In such circumstances the valve will tend to flutter on the valve seat and may release a small amount of air but will not be relieving significant pressure from the system. This point is known as the warning pressure, cracking pressure or hissing pressure.

If the pressure in the system continues to rise, the load acting on the face of the valve will also rise and will begin to exceed the load exerted by the spring. When the load due to system pressure exceeds the spring load, the valve will open and will remain open as long as the system pressure remains sufficient. This point is known as the opening pressure or set pressure (also referred to as rated or popping pressure). The difference between the crack pressure and opening pressure varies between valves and is related to the system flow rate. However, the two should not be confused as there is a significant difference in pressure between the two points.

If the system pressure continues to rise, the valve will continue to open and will relieve more and more air until the valve is fully open. At this point the valve will be relieving close to its maximum airflow rate; further increase in system pressure will show only relatively minor increases in flow rate. If the system pressure decreases, the relieving airflow rate will reduce, and the valve will start to close. However, the valve will not fully reseat until the pressure is below the opening pressure. This pressure is known as the reseating pressure, and the difference between the two pressures is known as "blowdown."

In practice the valve should be matched to the system to be protected such that the maximum airflow rate of the valve is never utilized, i.e., the valve should be capable of relieving a sufficient volume flow rate of air at the opening pressure, to ensure that the system pressure drops significantly. If the valve is open and the system pressure continues to rise above the opening pressure then the valve is relieving less air than is being put into the system. This is a potentially dangerous situation that may lead to over pressurization. The relieving airflow rate of an air relief valve at the maximum allowable system pressure, and ideally at the opening pressure, should be well in excess of the system input flow rate at that same pressure.

Periodic Inspection, Cleaning and Maintenance

Dixon Bayco air relief valves are designed and built to provide accurate and consistent operation; however, periodic inspection, cleaning, and maintenance of these valves is required to ensure continued trouble-free service.

Dixon Bayco air relief valves consist of a spring-loaded poppet valve that seals against a rigid annular valve seat. When the system pressure reaches the valve opening pressure, the poppet lifts and system air passes under the poppet and out to the atmosphere. When a sufficient volume of air has been relieved, the system pressure will drop and the poppet will reseat.

When these valves are used in applications that subject them to particulate-laden air, there is potential for contamination of the valve. Larger particles, such as grains or plastic pellets, can get trapped between the valve seating surfaces. Applications involving fine particles such as cement, fly ash, lime or flour can result in a cementing of hardened product on the valve seat or poppet surface. These situations can prevent the valve from fully reseating or from opening and can lead to early opening or leakage from the valve.

To prevent this from occurring, we advise that air/vacuum relief valves be regularly inspected, cleaned and maintained. At a minimum, the valve seat and poppet sealing surface should be inspected and cleaned, and the small air vent hole in the top casting should be checked for blockage. The inspection, cleaning and maintenance should be carried out with the valve removed from the system and in a clean environment.

All relief valves are available with threaded connections. In addition 2180, A2180 and A2182 series air relief valves are available with cam and groove adapter or grooved pipe connections. These types of connections make removal and installation of the valves much easier to allow for inspections, cleaning and maintenance.



Before servicing or removing any component from the pneumatic system, the blower must be turned off and all residual air released from the system.

Products for Blowers

Blower Air Relief Valves

Application:	Designed specifically for use on tractor mounted air blowers. The 2182 air relief valves have a temperature-compensated pressure relief setting to accommodate the high temperatures and dynamic air produced by the blower. If a system blockage were to occur, the valves are designed to vent out to the atmosphere once the valve pressure setting is achieved.
Standards:	<ul style="list-style-type: none"> • The 2182 valve will relieve at the ordered set pressure at a temperature of 400°F (204°C). • At room temperature, 73°F (22°C), the 2182 valve will relieve approximately 4 PSI higher than the ordered set pressure. • The product label shows the set relief pressure at the blower operating temperature, plus the relief pressure at 73°F (22°C) (for testing purposes). Depending on the blower type, amount of vibration, and operating temperature a difference of observable set pressure may occur. Example: 2182-18 is set to relieve at 18 PSI while at operating temperature. This same valve will test at 22 PSI while at room temperature on a test bench. Both set points are listed on the label. • available with 2" male or female NPT connections
Materials:	aluminum anodized hard coat body, white food grade silicone poppet and diaphragm
Features & Benefits:	<ul style="list-style-type: none"> • The popular pressure setting for truck mounted blowers is 20 PSI. Valves are available for other applications with temperature-compensated pressure settings of between 3 PSI and 24 PSI. Customer should request set pressure at time of order. • High relieving capacity varies between 800 SCFM and 1700 SCFM depending upon the chosen set pressure. For specific relief rates, please refer to our website or contact Dixon® • installed cup seal deters tampering • anodized aluminum body reduces thread galling



2182F




2182

Part #	Connection
2182F-xx	2" NPTF air relief valve with special factory setting, see note xx below
2182F-18	2" NPTF air relief valve 18 PSI setting
2182F-20	2" NPTF air relief valve 20 PSI setting
2182-xx	2" NPTM air relief valve with special factory setting, see note xx below
2182-18	2" NPTM air relief valve 18 PSI setting
2182-20	2" NPTM air relief valve 20 PSI setting

- xx refers to choice of pressure setting; request the required pressure setting when ordering.
- See page 22 for air relief testing equipment.

Trailer/Tank Mounted Air Relief Valves

Fixed Pressure Setting Valves

Application:	<p>Designed specifically for use on trailer tanks containing dry bulk products. If a system blockage were to occur, the valves are designed to vent out to the atmosphere once the valve pressure setting is achieved.</p> <p>Not intended for blower service (for blower service applications, see the 2182 series air relief valves shown on page 4).</p> 
Standards:	<p>2180/3180 series have a +3/-0 set pressure tolerance (valve opens at set pressure +3 PSI):</p> <ul style="list-style-type: none"> • 2180 valves are available with 2" male or female NPT, cam and groove adapter or grooved pipe connections. • 3180 valves are available only with 3" female NPT connections.
Materials:	<p>Bayloy vent cowl with aluminum upper, bronze poppet with white food grade silicone diaphragm in the 2180, red silicone diaphragm in the 3180</p>
Features & Benefits:	<ul style="list-style-type: none"> • Available with a variety of pressure settings. See chart below for model-specific available pressure settings. Customer should request set pressure at time of order. • Relieving capacity (SCFM) varies dependent upon model and pressure setting. See chart below or, for specific relief rates, please refer to our website or contact Dixon®. • installed cup seal deters tampering • Bayloy body eliminates thread galling • PVC-coated wire lanyards are available for securing air relief valves



2180



2180B-15



2180V-15



3180

Valve Series	Valve Connection	Available Factory Set Pressure Range (PSI) ¹	Set Pressure Tolerance (PSI)	Diaphragm Material	Relieving Capacity (SCFM) ²
2180-xx	2" female NPT	2 to 25	+3/-0	white food grade silicone	500 to 950
2180-15	2" NPTF air relief valve	15	+3/-0	white food grade silicone	500 to 950
2180-18	2" NPTF air relief valve	18	+3/-0	white food grade silicone	500 to 950
2180B-15	2" cam and groove adapter	15	+3/-0	white food grade silicone	500 to 950
2180V-15	2" grooved	15	+3/-0	white food grade silicone	500 to 950
3180-xx	3" female NPT	4 to 30	+3/-0	red silicone	750 to 1500

¹ request the required pressure setting when ordering (xx refers to choice of pressure setting)

² relieving capacity (SCFM) varies with set pressure, for specific rates please refer to our website or contact Dixon®

- See page 30 for repair kits
- See page 22 for air relief testing equipment

PVC Coated Lanyards




CAL15

Part #	Description
CAL15	15" long PVC coated carbon steel cable, with aluminum crimp sleeves. One end is factory crimped the other end is un-crimped for field inspection.
CAL25	25" long PVC coated carbon steel cable, with aluminum crimp sleeves. One end is factory crimped the other end is un-crimped for field inspection.

Product instruction sheets and technical data can be viewed at canada.dixonvalve.com.

Trailer/Tank Mounted Air Relief Valves

Adjustable Pressure Setting Valves

Application:	<p>Designed specifically for use on trailer tanks containing dry bulk products. If a system blockage were to occur, the valves are designed to vent out to the atmosphere once the valve pressure setting is achieved. The advantage of the adjustable air relief valve is that the factory preset pressure can be tuned by -3/+3 PSI to meet tank/application specific pressure requirements (adjustments should be performed by either the tank builder or tank maintenance facility). Not intended for blower service (for blower service applications see the 2182 series air relief valves shown on page 4).</p> <p>Not Rated for ASME Coded Service Requirements</p> 
Standards:	<p>Valves have a +1/-0 set pressure tolerance (valve opens at set pressure plus 1 PSI) and are adjustable by -3/+3 PSI.</p> <ul style="list-style-type: none"> A2180ADJ has a 2" female NPT and A3180ADJ has a 3" female NPT connection
Materials:	<p>Bayloy vent cowl with aluminum upper, bronze poppet with white food grade silicone diaphragm in the 2180, red silicone diaphragm in the 3180</p>
Features & Benefits:	<ul style="list-style-type: none"> Available with a variety of pressure settings. See chart below for model specific available pressure settings. Customer should request set pressure at time of order. Factory preset pressure can be tuned by -3/+3 PSI to meet tank/application specific pressure requirements (adjustments should be performed by either the tank builder or tank maintenance facility). Relieving capacity (SCFM) varies dependent upon model and pressure setting. See chart below, or, for specific relief rates, please refer to our website or contact Dixon®. installed cup seal deters tampering Bayloy body eliminates thread galling



A2180-xxADJ



A3180-xxADJ

Valve Series	Valve Connection	Available Factory Set Pressure Range (PSI) ¹	Set Pressure Tolerance (PSI)	Diaphragm Material	Relieving Capacity (SCFM) ²
A2180-xxADJ	2" female NPT	9 to 30	+1/-0	white food grade silicone	500 to 950
A3180-xxADJ	3" female NPT	9 to 30	+1/-0	red silicone	750 to 1500

¹ request the required pressure setting when ordering (xx refers to choice of pressure setting)

² relieving capacity (SCFM) varies with set pressure, for specific rates please refer to our website or contact Dixon®

• Relieving pressure is factory set at **71°F (21°C)**. High temperatures will affect the actual relieving pressure.

• See page 21 for air relief testing equipment.

Trailer/Tank Mounted Air Relief Valves

Vacuum Relief Valves

Application:	Designed specifically for use on trailer tanks containing dry bulk products. If a system blockage were to occur, the valves are designed to vent out to the atmosphere to help prevent the tank from imploding.
Standards:	These valves come with a set vacuum tolerance of +/-0.5 HG, available in 3 body sizes: <ul style="list-style-type: none"> • 1½" male NPT outlet (tank connection) x 1½" female NPT inlet (atmosphere) • 2" male NPT outlet (atmosphere) x 2" female NPT inlet (tank connection) • 3" female NPT outlet (tank connection) x 3" female NPT inlet (atmosphere)
Materials:	Bayloy body and bronze poppet
Features & Benefits:	<ul style="list-style-type: none"> • Available with a variety of vacuum settings. See chart below for model-specific available pressure settings. Customer should request set pressure at time of order. • Relieving capacity (SCFM) varies dependent upon model and pressure setting. See chart below, or, for specific relief rates, please refer to our website or contact Dixon®. • installed bolt seal deters tampering • Bayloy body eliminates thread galling



1120



2120



3120

Valve Series	Valve Outlet (Tank Connection)	Valve Inlet (Atmosphere)	Available Factory Set Vacuum Range (HG) ¹	Set Pressure Tolerance (PSI)	Relieving Capacity (SCFM) ²
1120-xx	1½" male NPT outlet (tank connection)	1½" male NPT inlet (atmosphere)	6 to 24	+/- 0.5 HG	175 to 420
2120-xx	2" male NPT outlet (tank connection)	2" male NPT inlet (atmosphere)	5 to 24	+/- 0.5 HG	280 to 600
3120-xx	3" female NPT outlet (tank connection)	3" female NPT inlet (atmosphere)	11 to 25	+/- 0.5 HG	700 to 1350

¹ request the required pressure setting when ordering (xx refers to choice of pressure setting)

² relieving capacity (SCFM) varies with set pressure, for specific rates please refer to our website or contact Dixon®

Air Relief Valve Settings

Pressure Relief Valves Minimum and Maximum Settings

Valve Series	Factory Setting	
	Min. Setting (PSI)	Max. Setting (PSI)
2180	2	25
A2180ADJ ³	9 ³	30 ³
2182	3	24
A2182	6	27
3180	4	30
A3180ADJ ³	9 ³	30 ³

Vacuum Relief Valves Minimum and Maximum Settings

Valve Series	Factory Setting	
	Minimum Setting	Maximum Setting
1120	5" Hg	25" Hg
2120	5" Hg	24" Hg
3120	11" Hg	25" Hg

³ Customer adjustable by a further +/- 3 PSI. Settings below 9 PSI are obtainable by turning the valve adjustment screw.

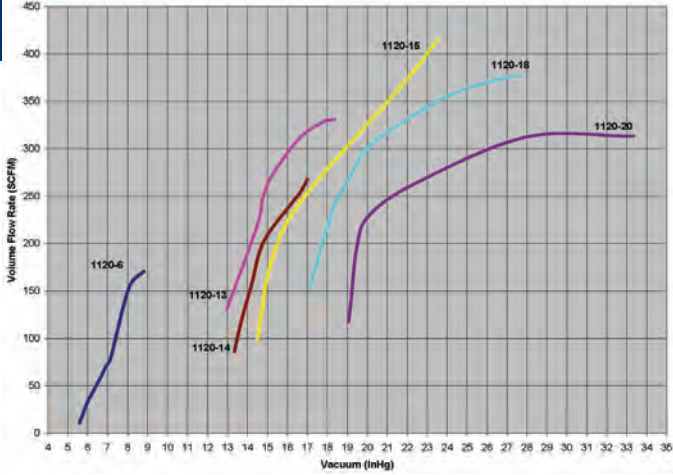
• Example: For an 8 PSI setting the valve adjustment would be +4/-2; for 7 PSI +5/-1 and for 6 PSI +6/-0.

• Settings above 30 PSI are obtainable by turning the valve adjustment screw. Example: For a 31 PSI setting the valve adjustment would be +2/-4; for 32 PSI +1/-5 and for 33 PSI +0/-6.

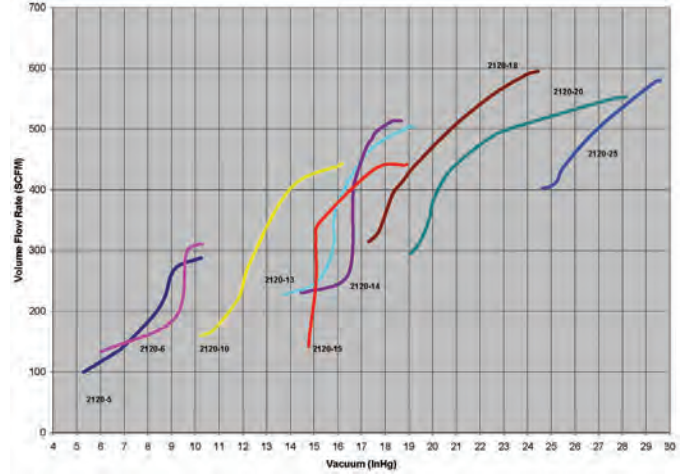
Trailer/Tank Mounted Air Relief Valves

Air Relief Valve Flow Rates

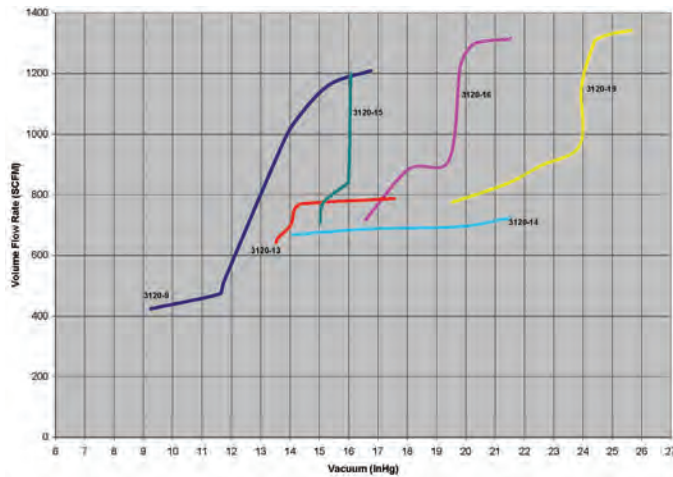
Flow Rate vs Vacuum



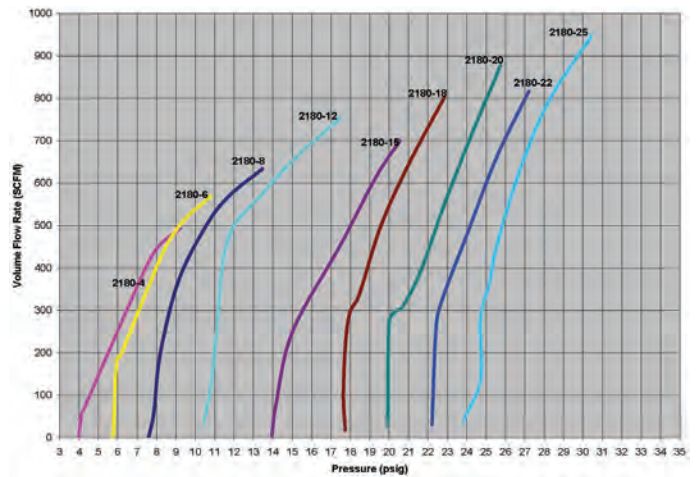
Flow Rate vs Vacuum



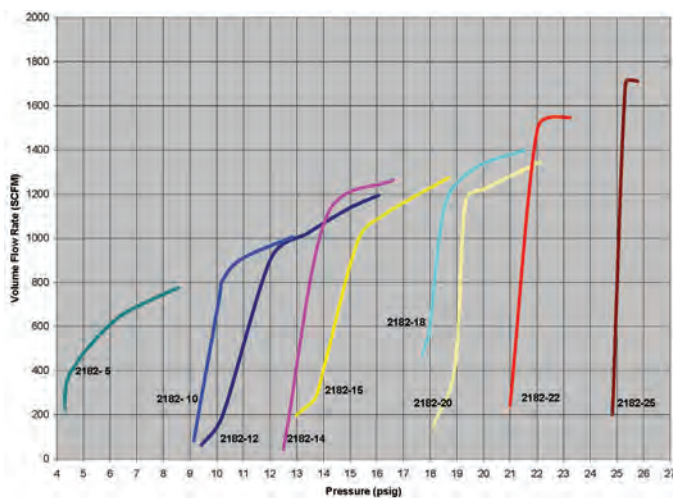
Flow Rate vs Vacuum



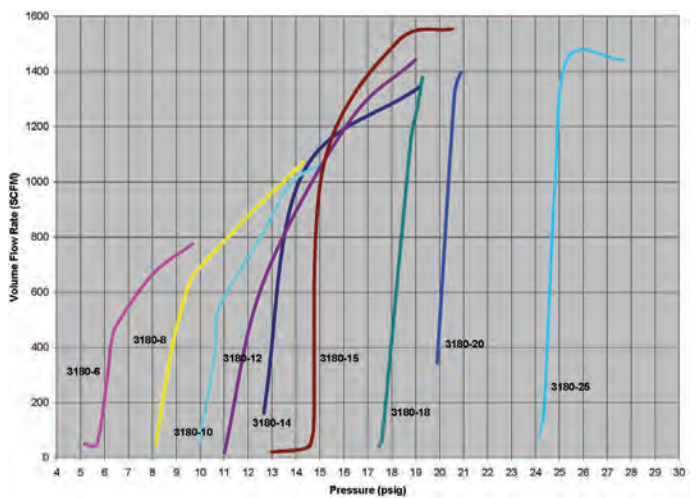
Flow Rate vs Pressure



Flow Rate vs Pressure



Flow Rate vs Pressure



Blower Mounted Swing Check/Air Relief Manifolds

Application:	Designed specifically for use on tractor-mounted air blowers and to replace the multiple pipe connections typically used to connect the blower to a swing check and air relief valve.
Standards:	Manufactured with a 4" TTMA flange connection for fastening directly to the blower. All "White" EPDM and Silicone seals are FDA compliant.
Materials:	Aluminum body, silicone flapper and lid seal 400°F (204°C) stainless steel hardware
Features & Benefits:	<ul style="list-style-type: none"> • compact unit includes high-flow swing check port for air relief valve and inlet/outlet ports • fastens directly to blower using available TTMA thread adapters • 2" NPT port for air relief valve • interchangeable inlet/outlet ports in 3" and 4" cam and groove and 4" female NPT



3090MA



3090MADC-82-18

Part #	Description	Manifold Outlet Connection	Overall Length	Weight
3090F	swing check manifold with white silicone spring loaded flapper	4" female NPT	11½"	8.7
3090M	swing check manifold with white silicone spring loaded flapper	not included	9⅝"	6.2
3090MS	swing check manifold with white silicone spring loaded flapper and security seal	not included	9⅝"	6.6
3090MA	swing check manifold with white silicone spring loaded flapper	3" cam and groove adapter	12½"	7.5
3090MA-DC	swing check manifold with white silicone spring loaded flapper with dust cap and chain	3" cam and groove adapter	14½"	8.6
3090MADC-82-18	swing check manifold with white silicone spring loaded flapper with dust cap and chain, with 2182-18 air relief valve	3" cam and groove adapter	20⅞"	16.45
3090MADC-82-18A	swing check manifold with white silicone spring loaded flapper with dust cap and chain, with 2182-18A air relief valve	4" cam and groove adapter	20⅞"	16.45
3090MADC-82-20	swing check manifold with white silicone spring loaded flapper with dust cap and chain, with 2182-20 air relief valve	3" cam and groove adapter	20⅞"	16.45
3090MADC-82-20A	swing check manifold with white silicone spring loaded flapper with dust cap and chain, with 2182-20A air relief valve	4" cam and groove adapter	20⅞"	16.45
3090MADC-82-18	swing check manifold with silicone spring loaded flapper	3" or 4" NPT	20"	15.0
3090MAS	swing check manifold with white silicone spring loaded flapper and security kit installed	3" cam and groove adapter	12½"	7.9
3090MB	swing check manifold with white silicone spring loaded flapper	4" cam and groove adapter	12½"	7.6
3090MBS	swing check manifold with white silicone spring loaded flapper and security kit installed	4" cam and groove adapter	12½"	8.1
3091MA	swing check manifold with metal spring loaded flapper	3" cam and groove adapter	12½"	7.4
3091MB	swing check manifold with metal spring loaded flapper	4" cam and groove adapter	12½"	7.5
3091MBS	swing check manifold with metal spring loaded flapper and security kit installed	4" cam and groove adapter	12½"	7.6

Swing Check Manifold Inlets/Outlets and Options

Part #	Description
3030SK	anti-tamper security kit for swing check manifold lid, two security bolts and wire seal
6000-16	3" cam and groove adapter manifold outlet, requires one 3090RK1 O-ring kit
6000-17	4" cam and groove adapter manifold outlet, requires one 3090RK1 O-ring kit
6000-20	4" female NPT manifold outlet, requires one 3090RK1 O-ring kit
3090RK1	O-ring kit
TTF4AL-3EMT	3" male NPT blower to manifold inlet adapter, requires 4" TTMA gasket
TTF4AL-4EMT	4" male NPT blower to manifold inlet adapter, requires 4" TTMA gasket

See page 27 for repair kits and replacement parts.

Product instruction sheets and technical data can be viewed at canada.dixonvalve.com.

TTMA Series Flange Adapters

Application:	Provides a simple and easy way to convert threaded components to standard TTMA flange configurations. TTMA flange adapters have a round TTMA flange on one end with either a male or female NPT thread on the other.
Standards:	Flange connections are manufactured to connect with the TTMA (Tank Truck Manufacturers Association) flange pattern. See below for flange dimensions.
Material:	machined one-piece cast aluminum
Features & Benefits:	<ul style="list-style-type: none"> • Solid cast aluminum is more durable than welded fabrications. • Compact size reduces the overall space needed for installation. • 3" or 4" round TTMA flange pattern with either 3" or 4" male or female NPT



TTF4AL-4MT



TTF4AL-3EMT



TTF4AL-4FT

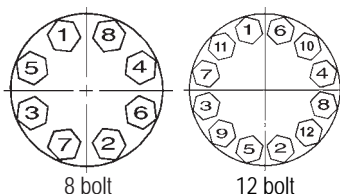
Part #	Description
TTF3AL-3MT	3" TTMA flange x 3" male NPT, 2½" overall length
TTF4AL-3MT	4" TTMA flange x 3" male NPT, 2½" overall length
TTF4ALHC-3MT	4" TTMA flange x 3" male NPT, 2½" overall length, hard-coated
TTF4AL-3EMT	4" TTMA flange x 3" male NPT, 5½" overall length
TTF4AL-3FT	4" TTMA flange x 3" female NPT, 2½" overall length
TTF4AL-4MT	4" TTMA flange x 4" male NPT, 2½" overall length
TTF4ALHC-4MT	4" TTMA flange x 4" male NPT, 2½" overall length, hard-coated
TTF4AL-4EMT	4" TTMA flange x 4" male NPT, 5½" overall length
TTF4AL-4FT	4" TTMA flange x 4" female NPT, 2½" overall length

Flange Gaskets



Application:	Creates a leak-tight connection between two bolted-together flange faces.
Standards:	TTMA flange gaskets are manufactured to seal with flanges produced to the 3" or 4" TTMA flange pattern.
Materials:	PTFE, Klingersil® or Cork/Buna

Part #	Size	Description	OD	ID	Thickness	Bolt Circle
Round TTMA Flange Gaskets						
300GTTFCB	3"	TTMA - cork/Buna	5⅝"	3½"	⅛"	4⅞"
300GTTFTK	3"	PTFE envelope with Klingersil® filler	5⅝"	3½"	1/16"	4⅞"
300GTTFK	3"	Klingersil® nylon	5⅝"	3½"	⅛"	4⅞"
40321TF	3"	TTMA - PTFE with soft fiber core	5 ²⁹ / ₃₂ "	3½"	3/32"	4⅞"
400GTTFCB	4"	TTMA - cork/Buna	6⅝"	4 ⁹ / ₁₆ "	⅛"	5⅝"
400GTTFTK	4"	PTFE envelope with Klingersil® filler	6⅝"	4 ⁹ / ₁₆ "	1/16"	5⅝"
400GTTFK	4"	Klingersil® nylon	6⅝"	4 ⁹ / ₁₆ "	⅛"	5⅝"
40322TF	4"	TTMA - PTFE with soft fiber core	6⅞"	4 ⁵ / ₈ "	3/32"	5⅝"
Square TTMA Flange Gaskets						
300GDBSQCB	3"	Square TTMA - cork/Buna	4½"	3 ³ / ₈ "	⅛"	---
300GDBSQK	3"	Square TTMA - Klingersil® nylon	4½"	3 ³ / ₈ "	1/16"	---
300GDBSQE	3"	Square TTMA - white EPDM	4½"	3 ³ / ₈ "	⅛"	---



Round TTMA Flange Dimensions

Nominal Pipe Size	Flange OD	Aluminum Flange Thickness	Diameter of Bolt Circle	Number of Bolts	Diameter of Bolt Holes	Diameter of Bolts Used
3"	5⅝"	3/8"	4⅞"	8	7/16"	3/8"
4"	6⅝"	3/8"	5⅞"	8	7/16"	3/8"
6"	8⅞"	3/8"	8⅞"	12	7/16"	3/8"

Swing Check Valves

Bayco High Flow Series

Application:	Often used on both the blower and trailer, designed to prevent product backflow if a product line should become plugged.
Standards:	Bayco High Flow series swing check valves have 2", 3" or 4" connection choices: Female NPT, round TTMA flange or square TTMA flange. All white EPDM and silicone seals are FDA compliant.
Materials:	Aluminum body and inspection lid, stainless steel hardware, metal-to-metal, EPDM 250°F (121°C) or silicone seals 400°F (204°C) are available. (Seal availability is dependent upon the model. See chart below for more information.)
Features & Benefits:	<ul style="list-style-type: none"> • choice of seals: metal-to metal, Buna or silicone • choice of connections; female NPT, round TTMA flange or square TTMA flange • Flapper return springs are standard. • Huck-bolted flapper assembly prevents loose parts from contaminating the product. • Inspection lids can be removed to facilitate routine flapper assembly inspections (system must not be in service during inspections or repair). • Complete repairs can easily be carried out on all high flow swing check valves without removing the valves from the tank. • When in use, the flapper can swing completely out of the air path, resulting in increased air flow and subsequently increased product flow.



3030SQ-SSP



3031TE



3031VIC



4040RD

Part #	Connection Type	Seal Type	Flapper Return Springs ?	Overall Length
3020TE	2" female NPT both ends	white EPDM seal	yes	5 $\frac{1}{8}$ "
3030TE	3" female NPT both ends	white EPDM seals	yes	7 $\frac{1}{8}$ "
3030TE-SSP	3" female NPT both ends	white silicone seal	yes	7 $\frac{1}{8}$ "
3031TE	3" female NPT both ends	metal-to-metal seal	yes	7 $\frac{1}{8}$ "
4040TE	4" female NPT both ends	white EPDM seal	yes	9"
4041TE	4" female NPT both ends	metal-to-metal seal	yes	9"
4042TE	4" female NPT both ends	white silicone seal	yes	9"
3020SQ	2" square TTMA flange	white EPDM seal	yes	5 $\frac{1}{8}$ "
3030SQ	3" square TTMA flange	white EPDM seals	yes	6 $\frac{7}{8}$ "
3030SQ-SSP	3" square TTMA flange	white silicone seal	yes	6 $\frac{7}{8}$ "
3031SQ	3" square TTMA flange	metal-to-metal seal	yes	6 $\frac{7}{8}$ "
3030RD-SSP	3" round TTMA flange	white silicone seal	yes	6 $\frac{7}{8}$ "
3030RD	3" round TTMA flange	white EPDM seals	yes	6 $\frac{7}{8}$ "
3031RD	3" round TTMA flange	metal-to-metal seal	yes	6 $\frac{7}{8}$ "
4040RD	4" round TTMA flange	white EPDM seal	yes	9"
4041RD	4" round TTMA flange	metal-to-metal seal	yes	9"
4042RD	4" round TTMA flange	white silicone seal	yes	9"
3030VIC-SSP	3" grooved end both ends	white silicone seal	yes	8"
3031VIC	3" grooved end both ends	metal-to-metal seal	yes	8"

- See pages 32-34 for repair kits and replacement parts.
- See page 10 for TTMA flange gaskets.

Product instruction sheets and technical data can be viewed at canada.dixonvalve.com.

Pneuclean™ Pneumatic Filtration System

Application:	Designed to remove microscopic particles generated by blowers during pneumatic conveying of contaminant-sensitive dry bulk products. Contaminants, such as iron and hydrocarbons, are produced by air blowers and can adversely affect dry products, such as plastic pellets and food materials. These filter units are typically mounted on dry bulk tanker trailers, but can also be mounted onto the tractor. Units are placed after the blower and before the bulk storage tanker. This in-line pneumatic system is also suitable for industrial applications or wherever microscopic filtration (up to 4 microns) of impurities is required.
Standards:	Standard units employ 4" inlets and outlets. Choose from schedule 40 pipe, grooved pipe, TTMA flange or 4" cam and groove adapter connections (3" plumbing can be used with available weld-on 4" x 3" cam and groove adapters). Maximum working pressure is 50 PSI with a MERV rating of 8.
Materials:	aluminum canister and lid, stainless steel V-clamp, polyester filter material.
Features & Benefits:	<ul style="list-style-type: none"> • variety of connection types (see chart below for details) • canister is heavy duty aluminum • overall weight is 26 lbs. • maximum air flow is 1000 CFM • Special cartridge-style filter element has a typical life expectancy of approximately 12 months or 2000 hours of service. • noise reduction filter reduces noise by 13.8 db at 600 CFM • FDA medium with 99.99% maximum efficiency at 4 microns • back pressure 0.05 PSI • quick-release V clamp for easy inspection and servicing



PC5000



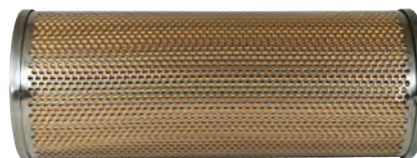
PC5000TTTE

Part #	Description
PC5000	complete Pneuclean™ filtration system with 4" Schedule 40 pipe inlet and outlet
PC5000-002	complete Pneuclean™ filtration system with 4" Schedule 40 pipe inlet and outlet with Outer Perf Element
PC5000AA	complete Pneuclean™ filtration system with 4" cam and groove adapter inlet and outlet
PC5000VV	complete Pneuclean™ filtration system with 4" grooved pipe inlet and outlet
PC5000TTTE	complete Pneuclean™ filtration system with 4" TTMA flange inlet and 90° 4" male NPT outlet
PC5003	mounting bracket (sold separately, two required)

Replacement Parts



PC5001



PC5001-002

Part #	Description
PC5001	replacement Pneuclean™ filter element, rated to 400°F (204°C)
PC5001-002	replacement Pneuclean™ filter element with 304 stainless steel screen, rated to 400°F (204°C)
PC5004	replacement V-clamp for securing lid to body
PC5005	replacement lid O-ring seal
PC5006	replacement canister bottom gasket
PC5007	replacement lid

Product instruction sheets and technical data can be viewed at canada.dixonvalve.com.

Clump Buster

Application:	Designed to be used in-line for dry bulk applications where dry material may tend to clump during off-loading.
Standards:	Manufactured with cam and groove end configurations.
Materials:	aluminum body, stainless steel screen and V-band clamp
Features & Benefits:	<ul style="list-style-type: none"> • 4" cam and groove ends • two-piece housing design with V-band clamp (DB1000) • stainless screen hole diameter is $\frac{7}{16}$" • seals are Buna-N • bell-shaped housing provides maximum flow (DB1000) • DB1000-SFI comes with sight glass



DB1000



Inside View DB1000



DB1000-SFI

Part #	Description
DB1000	clump buster
DB1000-SFI	clump buster with sight glass

Cam and Groove In-Line Sight Glasses

Application:	The cam and groove sight glasses are often connected to the dry bulk tanker's product outlet, allowing the operator to visually confirm that product is flowing out of the tank.
Standards:	Interchanges with all product produced to commercial item description A-A-59326B.
Materials:	aluminum, acrylic sight glass, brass cam arms, Buna gaskets
Features & Benefits:	<ul style="list-style-type: none"> • Allows the operator to see product flow. • Precision-machined to rigid tolerances. • Durable stainless steel cam arm pins will not rust or bind, providing strength and safety. • Recess holds gasket firmly in place ensuring proper placement. • Intended for dry goods only.

Part #	Description
Coupler x Adapter	
3544CA	4" cam and groove coupler x 4" cam and groove adapter
3543CA	4" cam and groove coupler x 3" cam and groove adapter
3534CA	3" cam and groove coupler x 4" cam and groove adapter
3533CA	3" cam and groove coupler x 3" cam and groove adapter
Coupler x Coupler	
3544CC	4" cam and groove coupler x 4" cam and groove coupler
3543CC	4" cam and groove coupler x 3" cam and groove coupler
3533CC	3" cam and groove coupler x 3" cam and groove coupler
Adapter x Adapter	
3544AA	4" cam and groove adapter x 4" cam and groove adapter
3534AA	3" cam and groove adapter x 4" cam and groove adapter
3533AA	3" cam and groove adapter x 3" cam and groove adapter



3543CA

Product instruction sheets and technical data can be viewed at canada.dixonvalve.com.

Groove Connections

Aluminum Bolt Clamps



DBV-WB400

Features & Benefits:

- Lightweight yet rugged. Unlike steel groove clamps that secure the pipe ends with high clamping force against the tubing/piping walls, the Dixon® aluminum bolted clamp takes the full bolt force and locks into the groove of the tube/pipe, preventing distortion of the tube/pipe diameter.
- Precision-casting and machined dimensions provide an exact fit and great appearance.
- Lock nuts prevent loosening in applications with vibration.
- White Buna seal available for food applications.

Size	Seal	Part #	Maximum PSI	Approximate Weight Lbs.	Bolt Torque
2"	Buna	DBV-BN200	400	0.8	see below
3"	Buna	DBV-BN300	170	1.1	see below
4"	Buna	DBV-BN400	120	1.5	see below
4"	White Buna	DBV-WB400	120	1.5	see below

Bolt Torque: Torque the bolts until metal-to-metal contact occurs at the bolt pads (about 20 ft lbs). Bolts must be tightened evenly to prevent gasket pinching and clamp breaking. DO NOT tighten one side then the other. Overtightening will not improve sealing and may result in failure of the clamps. DO NOT torque bolts over 30 ft lbs.

Piping joined with groove style fittings requires support to carry the weight of the piping and equipment. The groove style clamps are designed to hold the two pipe halves together and prevent leakage, but are not designed to support a bending or moment load or to compensate for misaligned piping.

It is important that all installation procedures be followed, including maintaining pipe and clamp alignment during bolt tightening. Failure to use proper installation methods can potentially cause the clamp to fail, which could result in environmental damage or injury.

Groove x Groove Painted Iron Bolt Clamps



Applications:	Designed for applications requiring moderate internal pressure or where weight is a factor. Suitable for sand applications.
Materials:	ductile iron, rust-inhibiting paint
Features & Benefits:	<ul style="list-style-type: none"> • ensures a leak-tight connection

Size	Description	Part #
2"	painted iron groove x groove clamp with Buna seal	L02BU
3"	painted iron groove x groove clamp with Buna seal	L03BU
4"	painted iron groove x groove clamp with Buna seal	L04BU
5"	painted iron groove x groove clamp with Buna seal	L05BU

Replacement Gaskets

Size	Description	Part #
2"	Buna grooved coupling replacement gasket	G200T
3"	Buna grooved coupling replacement gasket	G300T
4"	Buna grooved coupling replacement gasket	G400T
5"	Buna grooved coupling replacement gasket	G500T



Groove Connections

Iron Quick Connect Groove Clamps

Size	Clamp with Buna Seal Part #	Clamp with EPDM Seal Part #	Maximum PSI	Approximate Weight Lbs.
1½"	H315BU	H315	300	1.5
2"	H32BU	H32	300	2.5
2½"	H325BU	H325	300	4
3"	H33BU	H33	300	3.8
4"	H34BU	H34	300	6
6"	H36BU	H36	300	8.6



Replacement Clamp Gaskets

Size	Black Buna (orange stripe) Part #	White Buna (no stripe) Part #	FKM B (red stripe) Part #	EPDM (green stripe) Part #
1½"	G150T	-	-	G150E
2"	G200T	-	G200VB	G200E
2½"	G250T	-	-	G250E
3"	G300T	-	G300VB	G300E
4"	G400T	G400N	G400VB	G400E
5"	G500T	-	-	G500E
6"	G600T	-	-	G600E



Product literature and technical data can be viewed on our website at canada.dixonvalve.com

Groove Connections

Aluminum Quick Connect Clamps



DBC400

Application:	Quick line clamp designed to couple groove to groove connections in dry bulk applications.
Materials:	white Buna-N split gasket, heavy-duty composite handle, forged aluminum body, stainless steel locking mechanism
Features & Benefits:	<ul style="list-style-type: none"> • 4" dry bulk line clamp • adjustable locking mechanism • safety locking clip is included • 50 PSI working pressure

Part #	Description
DBC400	4" aluminum groove x groove quick clamp
DBC400-P	4" aluminum pipe x pipe quick clamp
DBC400-PG	4" aluminum pipe x groove quick clamp

Pipe Band Clamps



DBPCB400

Applications:	Suitable for both food grade and non food grade applications where pipe and hopper tee outlets are joined. Typically used on dry bulk cargo tank pipe connections.
Materials:	stainless steel band and clamps, white Buna FDA approved seals
Features & Benefits:	<ul style="list-style-type: none"> • Works with both groove and straight pipe connections. • Static conductive strap is built into clamp. • heavy duty worm gear clamps • Stainless steel support wrap improves strength. • Band clamp retainers align clamp position.

Part #	Size	Description
DBPCB400	4"	stainless steel band clamp with Buna seal

Replacement Parts

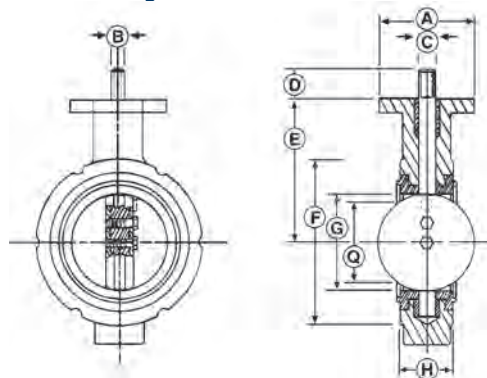
Description	Part #
pipe band clamp, worm gear clamp	HTM500
pipe band clamp, ground strap	40466SS
pipe band clamp, sleeve	40464BN

Product instruction sheets and technical data can be viewed at canada.dixonvalve.com.

Butterfly Valves

Application:	Butterfly valves are commonly used on dry bulk tankers to control the flow of product. Designed to be placed between two ASME/ANSI 125 or 150 lb. flanges.
Materials:	aluminum bodies with iron or stainless steel disc, polymer bushings, Buna-N (Nitrile) seals and seats, spring, stem and locking lever pin are stainless steel, aluminum handle and throttling plate
Features & Benefits:	<ul style="list-style-type: none"> • rugged cast aluminum • Flange gaskets are not required; the valves' elastomer seat also doubles as the flange gasket. • Handles are high-strength 713 aluminum, with a retrogressive re-aging process which creates a stronger handle than the cast iron handle commonly used in the industry. • Iron or stainless steel discs are standard for superior wear resistance. • FDA approved black or white Buna-N seals, -20°F to 275°F (-29°C to 135°C)

Butterfly Valve Dimensions



Size	A	B	C	D	E	F	G	H	Q	Weight (lbs.)
2"	4.000	0.375	0.563	1.250	3.938	4.125	2.125	1.625	1.688	3
3"	4.000	0.375	0.563	1.250	4.875	5.375	3.125	1.750	2.875	5
4"	4.000	0.438	0.625	1.250	6.000	6.875	4.125	2.000	3.875	8
5"	4.000	0.438	0.625	1.250	6.000	7.625	5.188	2.125	5.000	9
6"	4.000	0.438	0.625	1.250	6.625	8.750	6.125	2.125	6.000	9
8"	6.000	0.500	0.750	1.250	8.313	11.000	8.125	2.500	8.000	--
10"	6.000	0.625	0.875	1.250	9.125	13.375	10.125	2.500	10.000	--

- All dimensions are given in inches.
- "Q" dimension is the minimum allowable inside diameter of the pipe or mating flange.

One-Piece Aluminum Body with Iron Disc and Black Buna-N Seals



DB4-400-1500



4-480-1500

With Integrated Notch Plate

Size	Description	Complete Valve Part # ¹
2"	125/150# flange	2-400-1500
3"	125/150# flange	DB3-400-1500
4"	125/150# flange	DB4-400-1500
4"	TTMA	4A-400-1500
5"	125/150# flange	DB5-400-1500
6"	125/150# flange	DB6-400-1500
8"	125/150# flange	8-400-1500
10"	125/150# flange	10-400-1500

Size	Description	Complete Valve Part # ¹
3"	125/150# flange	3-480-1500
4"	125/150# flange	4-480-1500
4"	TTMA	4A-480-1500
5"	125/150# flange	5-480-1500
6"	125/150# flange	6-480-1500

¹ Handle kits are sold separately on page 18.

Butterfly Valves

One-Piece Aluminum Body with Stainless Steel Disc and White Buna-N Seal



DB-400-3501



4-480-3501
with integrated notch plate

Size	Description	Complete Valve Part # ¹
3"	125/150# flange	DB3-400-3501
4"	125/150# flange	DB4-400-3501
4"	TTMA	4A-400-3501
5"	125/150# flange	DB5-400-3501
6"	125/150# flange	6-400-3501

Valve Size	Description	Complete Valve Part # ¹
3"	125/150# flange	3-480-3501
4"	125/150# flange	4-480-3501
4"	TTMA	4A-480-3501
5"	125/150# flange	5-480-3501
6"	125/150# flange	6-480-3501

¹ Handle kits are sold separately.

Two-Piece Aluminum Body with Stainless Steel Disc and White Buna-N Seal



3-380-828501

Features & Benefits:

- Designed specifically for pneumatic conveying and abrasive applications.
- Seat ID matches the ID of Schedule 40 pipe, resulting in smoother product flow.
- Two-piece split body design simplifies field maintenance by eliminating the need for special tools.

Size	Description	Complete Valve Part # ¹
3"	125/150# flange	3-380-828501
4"	125/150# flange	4-380-828U501
5"	125/150# flange	5-380-828U501
6"	125/150# flange	6-380-828U501

¹ Handle kits are sold separately.

Aluminum Butterfly Valve Handle Kits

Size	Description	Material	Part #
2-3"	5 position handle and throttle plate	aluminum	
2-3"	10 position handle and throttle plate	steel	DB237-23-10
4-6"	5 position handle and throttle plate	aluminum	DB206-46-5
4-6"	10 position handle and throttle plate	steel	DB237-46-10
8"	10 position handle and throttle plate	aluminum	DB206-810
10"	10 position handle and throttle plate	aluminum	DB206-1010

Product instruction sheets and technical data can be viewed at canada.dixonvalve.com.

Butterfly Valves

Application:	Composite butterfly valves are commonly used on dry bulk cargo tankers to control the flow of product.
Materials:	composite bodies with iron, aluminum or stainless steel discs and white Baylast™ rubber seats.
Features:	<ul style="list-style-type: none"> Reinforced composite body valves are a rugged lightweight alternative to the heavier, more expensive aluminum valves. Bayco proven field reliability and corrosion free design drop in replacement to upgrade existing aluminum valves weight reduction allows for increased payload
Specifications:	Handle kits are sold separately; choose aluminum or iron.

Composite Butterfly Valves



DB3-900-501



DB5-900-301



DB5-900-501



DB6-900-501

Part #	Connection Type	Disc Material	Baylast™ Seat Color
DB3-900-150	3" composite butterfly valve	iron	black
DB3-900-301	3" composite butterfly valve	aluminum	white
DB3-900-501	3" composite butterfly valve	stainless steel	white
DB4-900-150	4" composite butterfly valve	iron	black
DB4-900-301	4" composite butterfly valve	aluminum	white
DB4-900-501	4" composite butterfly valve	stainless steel	white
DB5-900-150	5" composite butterfly valve	iron	black
DB5-900-301	5" composite butterfly valve	aluminum	white
DB5-900-501	5" composite butterfly valve	stainless steel	white
DB6-900-150	6" composite butterfly valve	iron	black
DB6-900-301	6" composite butterfly valve	aluminum	white
DB6-900-501	6" composite butterfly valve	stainless steel	white

Composite Butterfly Valve Handle Kits

Part #	Size	Description	Material
DB206-46-5	for 2-6" composite valves	5 position handle and throttle plate	aluminum

Product instruction sheets and technical data can be viewed at canada.dixonvalve.com.

Hopper Tees

Application:	Straight and bottom drop tees are used at the base of dry bulk tank hoppers. With straight tees, the dry bulk product is unloaded utilizing a blower-generated pneumatic flow through the tee and air pressure on top of the hopper. The bottom drop tee can be utilized like the straight tee by using pneumatic conveyance, or it can be used for gravity unloading of the dry goods by opening the drop door at the base of the tee.
Standards:	Dimensionally interchangeable with industry standard offerings. Flanged to the tank hopper and grooved or pipe connection ends.
Materials:	aluminum or Baycast iron alloy
Features & Benefits:	<ul style="list-style-type: none"> • Straight tees are cast as one-piece. • high unloading rates and reduced flow turbulence • Bottom drop tees have easy-to-use swing out bottom drop door.



Part #	Connection Type	Low Profile	Material		Overall Height	Overall Length
			Aluminium	Iron		
Straight Tees						
<i>DB500TA</i>	5" x 4" straight tee - groove x groove		✓		6.438	13.875
<i>DB600TA</i>	6" x 6" straight tee - groove x groove		✓		7.000	13.875
<i>DB500TI</i>	5" x 4" straight tee - pipe x pipe			✓	6.5625	13.875
<i>DB500TI-PXV</i>	5" x 4" straight tee - pipe x groove			✓	6.5625	13.875
<i>DB500TI-VXV</i>	5" x 4" straight tee - groove x groove			✓	6.5625	13.875
<i>DB500LTA</i>	5" x 4" straight tee - groove x groove low-profile	✓	✓		6.187	13.875
<i>DB600LTA</i>	6" x 6" straight tee - groove x groove low-profile	✓	✓		5.063	13.875
<i>DB605LTA</i>	6" x 5" straight tee - groove x groove low-profile	✓	✓		6.094	13.875
<i>4x4-S TEE</i>	4" x 4" straight tee - groove x groove		✓		6.000	13.875
<i>4X4-S TEE-E</i>	4" x 4" straight tee - groove x groove		✓		6.000	13.875
<i>5X4-S TEE-E</i>	5" x 4" straight tee - groove x groove		✓		6.438	13.875
<i>5X4-VRST TEE K</i>	5" x 4" straight tee - groove x groove	✓	✓		5.375	13.750
<i>5X4-VRST TEE-E</i>	5" x 4" straight tee - groove x groove	✓	✓		6.187	13.875
<i>6X4-S TEE-E</i>	6" x 4" straight tee - groove x groove		✓		7.000	13.875
Bottom Drop Tees						
<i>DB510TA</i>	5" x 4" drop tee - groove x groove		✓		7.625	13.875
<i>DB510TI</i>	5" x 4" drop tee - groove x groove			✓	7.625	13.875
<i>DB510RK</i>	5" x 4" drop tee - groove x groove			✓	7.639	13.875
<i>DB510TI-PXP</i>	5" x 4" drop tee - pipe x pipe			✓	7.639	13.875
<i>DB510TI-PXV</i>	5" x 4" drop tee - pipe x groove			✓	7.639	13.875
<i>DB510TI-VXP</i>	5" x 4" drop tee - groove x pipe			✓	7.639	13.875
<i>DB510TI-VXC</i>	5" x 4" drop tee - groove x cam and groove coupler			✓	7.623	15.593
<i>DB510TI-PXC</i>	5" x 4" drop tee - pipe x cam and groove coupler			✓	7.623	15.593
<i>DB510TI-PXT</i>	5" x 4" drop tee - pipe x NPT 4" male thread			✓	7.639	13.875
<i>DB510TI-VXT</i>	5" x 4" drop tee - groove x NPT 4" male thread			✓	7.639	13.875
<i>DB610TI-PXP</i>	6" x 4" drop tee - pipe x pipe			✓	7.265	13.975
<i>DB610TI-PXV</i>	6" x 4" drop tee - pipe x groove			✓	7.265	13.975
<i>DB610TI-VXP</i>	6" x 4" drop tee - groove x pipe			✓	7.265	13.975
<i>DB610TI-VXT</i>	6" x 4" drop tee - groove x thread			✓	7.265	13.975
<i>DB610TI-PXT</i>	6" x 4" drop tee - pipe x thread			✓	7.265	13.975
<i>DB610TI-VXV</i>	6" x 4" drop tee - groove x groove			✓	7.265	13.975
<i>4X4-BD TEE</i>	4" x 4" drop tee - groove x groove		✓		8.250	13.875
<i>4X4-BD TEE-E</i>	4" x 4" drop tee - groove x groove		✓		8.250	13.875
<i>5X4-BD TEE-E</i>	5" x 4" drop tee - groove x groove		✓		7.500	13.875
<i>5X4-VRBD TEE</i>	5" x 4" drop tee - groove x groove	✓	✓		7.250	13.875
<i>5X4-VRBD TEE-E</i>	5" x 4" drop tee - groove x groove	✓	✓		7.250	13.875
<i>5X4-VRBD TEE-K</i>	6" x 4" drop tee - groove x groove	✓	✓		6.200	13.750
<i>6X4-BD TEE</i>	6" x 4" drop tee - groove x groove		✓		7.250	13.875

Product instruction sheets and technical data can be viewed at canada.dixonvalve.com.

Disk Fluidizer

Application:	Designed to provide the optimum amount of air volume needed for efficient pneumatic unloading of bulk trailers, allowing more airflow, less back-pressure and higher unloading rates.
Features & Benefits:	<ul style="list-style-type: none"> • Seals completely to hopper or wear plate to stop the back-flow of product into the aeration lines, even when flood-loading. • durable, food grade silicone resists hardening, cracking or tearing • Robust design does not have snap retention legs that can break off or flimsy disks that crack and wear prematurely. • Fluidizer component parts can withstand operating temperatures up to 350°F (177°C).

Commonly Used Fluidizer Kits

Part #	Description
Typical kits for aluminum trailers. If used to haul abrasive products like sand or cement, use hopper-savers to protect from wear on the aluminum hopper.	
111111	1-port assembly, includes blue silicone disk, grey stem hopper-saver, blue silicone manifold gasket, 1-port grey manifold, tee handle
111131	3-port assembly, includes blue silicone disk, grey stem hopper-saver, blue silicone manifold gasket, 3-port grey manifold, tee handle
These are typical kits used in steel trailers. (Does not include hopper-savers)	
113111	1-port assembly, includes blue silicone disk, grey stem, blue silicone manifold gasket, 1-port grey manifold, tee handle
113131	3-port assembly, includes blue silicone disk, grey stem, blue silicone manifold gasket, 3-port grey manifold, tee handle
These are standard kits used in Heil trailers	
111141	1-port assembly, includes blue silicone disk, grey stem hopper-saver, blue silicone manifold gasket, 1-port clear manifold, tee handle
111161	3-port assembly, includes blue silicone disk, grey stem hopper-saver, blue silicone manifold gasket, 3-port clear manifold, tee handle

Fluidizer Components

Part #	Description
4124	blue silicone fluidizer disk (food grade)
4134	white silicone fluidizer disk (food grade)
4125	grey stem with brass insert
4135	natural stem with stainless steel insert
4155	aluminum stem
4157	carbon steel stem
4126B	1½" stain. steel hopper-saver, white silicone backing
4127	blue silicone manifold gasket (food grade)
4137	white silicone manifold gasket (food grade)
5050	20" stainless steel, 3 disk fluidizer plate (16" ID)
5052	20" carbon steel, 3 disk fluidizer plate (16" ID)
5012	20" neoprene gasket
4121	manifold, 1 port grey
4122	manifold, 2 port grey
4123	manifold, 3 port grey
4621	manifold, 1 port clear
4622	manifold, 2 port clear
4623	manifold, 3 port clear
4129	tee handle assembly - stainless steel
4130	raised tee handle assembly
4139	hex bolt assembly - stainless steel
4149	internal hex bolt assembly - stainless steel
4159	bolt assembly T.I.R. stainless steel
4111	1¾" hopper plug with gasket
4167	1½" hopper plug with gasket



4124



4125



4134



4127



4122



4623



4129

Product instruction sheets and technical data can be viewed at canada.dixonvalve.com.

Hose Tube Doors

Hose Tube Doors

Application:	Fuel delivery hoses are often stored in tubes running the length of the tanker. A hinged door and welded cap keep the hoses in the storage tubes.
Standards:	Manufactured to weld to 6", 7" or 8" hose tubes.
Materials:	aluminum body, Buna seals, stainless steel door closure spring and hardware, nylon bushings
Features & Benefits:	<ul style="list-style-type: none"> • padlock-able • Keeps fuel delivery hoses neatly and safely stored in the designated storage tubes. • Protects expensive delivery hoses and fittings from road dirt, salt and environmental elements.



TDF6



TDF7



TDF8

Part #	Description
TDF6	6" hose tube door
TDF7	7" hose tube door
TDF8	8" hose tube door

Air Relief Valve Testing Equipment

Application:	<p>In order to properly test air relief valves, enough air volume (SCFM) needs to be available directly to the air relief valve, or early blow-offs will be falsely observed. The air relief starts to open slightly before the set pressure and if there is not enough air volume to fully open the valve, the tester may mistakenly take this to be an early blow-off.</p> <p>Dixon® developed equipment designed to provide enough air volume to properly test the valves:</p> <ul style="list-style-type: none"> • DB9000 - with its own 20 gallon air tank which can be charged from most air compressors • DB9001 - mounted directly to a blower
Standards:	<ul style="list-style-type: none"> • ASME approved pressure vessel (DB9000) • Use shop air supply to test Dixon Bayco air relief valves. • ASME approved 20 gallon tank with safety pop-off • high-flow pressure regulator
Material:	mainly steel construction
Features & Benefits:	<ul style="list-style-type: none"> • Allows fleets to properly and safely test air relief valves. • Provided with a test platform to safely hold the air relief valve in the test stand allowing for the safe disassembly and reassembly of valves for internal inspection, cleaning and repair.



DB9000



DB9001

Description	Part #
stationary air relief valve tester	DB9000
portable air relief valve tester	DB9001

The portable air relief tester is for use on a blower only, not for use on an air compressor.



Product instruction sheets and technical data can be viewed at canada.dixonvalve.com.

TTMA Reducing Flange Adapters

Application:	Used in applications where 3" and 4" TTMA flanges need to be connected.
Standards:	Flange connections are manufactured to connect with the TTMA (Tank Truck Manufacturers Association) flange pattern. See page 9 for flange dimensions.
Material:	aluminum
Features & Benefits:	<ul style="list-style-type: none"> • Both sides are machined to create smooth gasket sealing surfaces. • 3/4" thick • 4" TTMA hole pattern sized for (8) 3/8" socket head cap screws. • 3" TTMA hole pattern is blind threaded with 3/8"-16 thread to a depth of 9/16", supplied with (8) 3/8"-16 x 1" socket head cap screws. • Easily connects with any item that has a 3" or 4" TTMA flange.



4443

Part #	Description
4443	4" TTMA x 3" TTMA reducer flange

See page 10 for TTMA flange gaskets.

TTMA Weldable Flanges

Application:	Used in applications where a device, such as a valve or sight flow with a TTMA flange, needs to be connected to a pipe; the TTMA weldable flange is welded to the pipe and the desired device is bolted on.
Standards:	Flange connections are manufactured to connect with the TTMA flange pattern. See page 9 for flange dimensions.
Material:	aluminum
Features & Benefits:	<ul style="list-style-type: none"> • Butt weld version: The ID on side A is beveled to aid with butt welding, the flange face of side B is machined to create an even surface for the gasket seal. • Socket weld version: The ID on side A has a machined socket to allow the pipe to slide in to be socket welded. • Flange face of side B is machined to create an even surface for the gasket seal. • Flanges are 3/8" thick. • Easily connects with any item that has a 3" or 4" TTMA flange.



TTF3AL



TTF400SP

Part #	Description
TTF3AL	3" TTMA butt weld on flange
TTF4AL	4" TTMA butt weld on flange
TTF400SP	4" TTMA socket weld on flange

See page 10 for TTMA flange gaskets.

Product instruction sheets and technical data can be viewed at canada.dixonvalve.com.

Cam and Groove Couplings x TTMA Flange

Application:	Used to connect dry bulk product hoses; the TTMA flange x cam and groove allows product hoses to be connected directly to the dry bulk tanker piping system.
Standards:	Interchanges with all product produced to commercial item description A-A-59326B. Flange connections are manufactured to connect with the TTMA flange pattern. See page 10 for flange dimensions.
Materials:	aluminum, Buna cam and groove gaskets
Features & Benefits:	<ul style="list-style-type: none"> • Precision machined to rigid tolerances. • Durable stainless steel cam arm pins will not rust or bind, for greater strength and safety. • Recess holds gasket firmly in place ensuring proper placement.



300-ALT-AL



300-DLT-AL



40022ALTAL



40022DLTAL

Part #	Description
300-ALT-AL ¹	3" cam and groove adapter (straight) x 3" TTMA flange
3040ALTAL	4" cam and groove adapter (straight) x 3" TTMA flange
400-ALT-AL ¹	4" cam and groove adapter (straight) x 4" TTMA flange
40022ALTAL	4" cam and groove adapter (22½°) x 4" TTMA flange
600-ALT-AL	6" cam and groove adapter (straight) x 6" TTMA flange
300-DLT-AL	3" cam and groove coupler (straight) x 3" TTMA flange
3040DLTAL	4" cam and groove coupler (straight) x 3" TTMA flange
400-DLT-AL	4" cam and groove coupler (straight) x 4" TTMA flange
40022DLTAL	4" cam and groove coupler (22½°) x 4" TTMA flange
600-DLT-AL	6" cam and groove coupler (straight) x 6" TTMA flange

¹ 300-ALT-AL and 400-ALT-AL are also available in 316 stainless steel.

- See page 10 for TTMA flange gaskets.

Product instruction sheets and technical data can be viewed at canada.dixonvalve.com.

Cam and Groove with Straight Thread (NPSM)

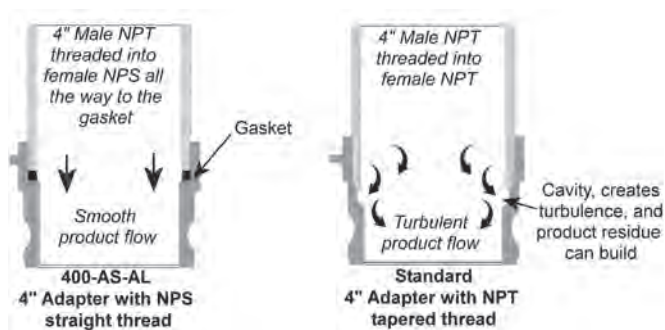
Application:	Used to connect dry bulk product hoses. Standard threaded cam and groove fittings have a tapered thread which, when threaded to another tapered thread, leaves exposed thread within the product flow path. The cavity left by the exposed thread not only causes product turbulence, but it also is a place where product can build up. When the Dixon® cam and groove with female straight threads is threaded onto a male tapered thread (NPT), the male tapered thread threads all the way to the bottom of the thread cavity, creating a smooth product path. This reduces product turbulence and build-up.
Standards:	Interchanges with all product produced to commercial item description A-A-59326B. Threads are machined to the NPSM standard.
Materials:	aluminum, cork/Buna adapter gasket, Buna coupler gasket
Features & Benefits:	<ul style="list-style-type: none"> • No exposed threads within the product flow reduces product turbulence and product build-up. • Precision machined to rigid tolerances. • Durable, stainless steel cam arm pins will not rust or bind, for greater strength and safety. • recess holds coupler gasket firmly in place ensuring proper placement.



400-AS-AL



ADS400



Part #	Description
400-AS-AL	4" cam and groove adapter with female NPSM (straight thread)
400GAGFI	replacement cork/Buna thread gasket for 400-AS-AL
ADS400	4" cam and groove coupler with female NPSM (straight thread)
400-G-BU ¹	replacement Buna coupler gasket for ADS400

¹ Other material coupler gaskets are available. Please contact Dixon®.
 • Please contact Dixon® for other materials and configurations.

Aluminum TTMA Flanges, Flange Gaskets, Flange Adapters



Pages 35-36

FloTech™ Overfill Detection Monitors

Sensors



Ground Bolt



Sockets



Pages 63-97

Air Interlocks



Page 45

API Valve Caps



Page 31

Dust Caps

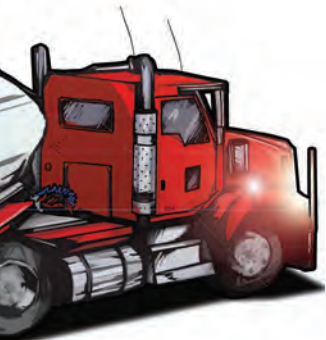


Page 31

Drop Hose Fittings



DPL418 Page 134




Sight Glass




Page 33

API Valves

Load Only



Load/Unload



Page 30

Drop Adapters



Page 31

Locking Fill Caps



Page 41

Drop Elbows



Page 37

Top Seal Adapters



Page 41

FUEL

To Underground Tank

Petroleum Tanker Products

Bayco™ and FloTech™ brand products are engineered for dependable, long-service life and designed for easy, low-cost maintenance. Where possible, modular systems are incorporated with common parts to minimize inventory of repair items.

Dixon Bayco Fuel Compatibility Chart



Biofuel Compatible

Fuel Product ¹

Dixon Bayco Product	Page #	Description	Fuel Product ¹											
			Gasoline	Diesel	ULSD	Crude Oil	E10	E20	E85	E100	B2	B20	B100	
4500 Series	7	two piece API drop adapter with sight glass, Baylast™ seals	✓	✓	✓	✓	✓	✓	✓	✓	✓	✓	✓	✓
4500V Series	7	two piece API drop adapter with sight glass, FKM seals	✓	✓	✓	✓	NR	NR	NR	NR	✓	✓	✓	✓
4530 & 4540	7	API drop adapter without sight glass, Baylast™ seals	✓	✓	✓	✓	✓	✓	✓	✓	✓	✓	✓	✓
4530V & 4540V	7	API drop adapter without sight glass, FKM seals	✓	✓	✓	✓	NR	NR	NR	NR	✓	✓	✓	✓
4530SG & 4540SG	7	one piece API drop adapter with sight glass, Buna seals	✓	✓	✓	NR2	✓	✓	✓	✓	✓	✓	✓	NR
4530SGV & 4540SGV	7	one piece API drop adapter with sight glass, FKM seals	✓	✓	✓	✓	NR	NR	NR	NR	✓	✓	✓	✓
5200SFI & 5200SFI-3	7	TTMA flanged sight glass with Baylast™ seals	✓	✓	✓	NR2	✓	✓	✓	✓	✓	✓	✓	✓
5200SFIV & 5200SFIV-3	7	TTMA flanged sight glass with FKM seals	✓	✓	✓	NR2	NR	NR	NR	NR	✓	✓	✓	✓
5204	6	API valve with sight glass, Baylast™ seals	✓	✓	✓	NR2	✓	✓	NR	NR	✓	✓	✓	✓
5204C	6	API valve with sight glass & removable handle, Baylast™ seals	✓	✓	✓	NR2	✓	✓	NR	NR	✓	✓	✓	✓
5204L	6	API load only valve with sight glass, Baylast™ seals	✓	✓	✓	NR2	✓	✓	NR	NR	✓	✓	✓	✓
5204LNG	6	API load only valve without sight glass, Baylast™ seals	✓	✓	✓	NR2	✓	✓	✓	✓	✓	✓	✓	✓
5204NG	6	API valve without sight glass, Baylast™ seals	✓	✓	✓	NR2	✓	✓	✓	✓	✓	✓	✓	✓
5204NGC	6	API valve without sight glass, removable handle, Baylast™ seals	✓	✓	✓	NR2	✓	✓	✓	✓	✓	✓	✓	✓
5204NGV	6	API valve without sight glass, FKM seals	✓	✓	✓	NR2	NR	NR	NR	NR	✓	✓	✓	✓
5204SFI	6	API valve with in-line tube sight glass, Baylast™ seals	✓	✓	✓	NR2	✓	✓	✓	✓	✓	✓	✓	✓
5204SNG	6	API valve without sight glass, Baylast™ seals, stainless spring	✓	✓	✓	✓	✓	✓	✓	✓	✓	✓	✓	✓
5204TNG	6	API valve without sight glass, PTFE seals	NR1	NR1	NR1	NR1	NR1	NR1	NR1	NR1	NR1	NR1	NR1	✓
5300 & 5400	27	API rack coupling Buna seals	✓	✓	✓	NR	✓	✓	✓	✓	✓	✓	✓	NR
5300B & 5400B	27	API rack coupling FKM-B seals	✓	✓	✓	NR	✓	✓	✓	✓	✓	✓	✓	✓
5300G & 5400G	27	API rack coupling FKM gflit seals	✓	✓	✓	NR	✓	✓	✓	✓	✓	✓	✓	✓
6000 & 6500 Series Drop Elbows	11,12	petroleum drop elbows & inlets, Buna seals	✓	✓	✓	NA	✓	✓	✓	✓	✓	✓	✓	NR
Vapor or Product Hose Couplings	17	petroleum vapor hose couplings, Buna seals	✓	✓	✓	✓	✓	✓	✓	✓	✓	✓	✓	NR
Vapor or Product Hose Couplings	17	petroleum vapor hose couplings, FKM seals	✓	✓	✓	✓	NR	NR	NR	NR	✓	✓	✓	✓
VR4000 & VR4100 Series Vapor Valves	17	petroleum vapor valves	✓	✓	✓	✓	✓	✓	✓	✓	✓	✓	✓	✓
VR6100 & VR6500 Vapor Elbows	16	petroleum vapor elbows and inlets	✓	✓	✓	NA	✓	✓	✓	NA	✓	✓	✓	NA
VR6030SQ & VR6035SQ	18	sequential vapor vent valves, Baylast™ seals	✓	✓	✓	✓	✓	✓	✓	✓	✓	✓	✓	✓
300GTTFCB & 400GTTFCB	10	cork Buna TTMA gasket	✓	✓	✓	✓	✓	NR	NR	NR	✓	NR	NR	NR
300GTTFBL & 400GTTFBL	10	TTMA Baylast™ gasket	✓	✓	✓	✓	✓	✓	✓	✓	✓	✓	✓	✓
400GTTFK	10	Klinger® style TTMA gasket	✓	✓	✓	✓	✓	✓	✓	✓	✓	✓	✓	✓
40321TF, 40322TF & 40323TF	10	PTFE soft core TTMA gaskets	✓	✓	✓	✓	✓	✓	✓	✓	✓	✓	✓	✓
40364BL & 40323BL	10	Baylast™ sump gaskets	✓	✓	✓	✓	✓	✓	✓	✓	✓	✓	✓	✓
FT151, FT202, FT101	44, 46, 49	FloTech™ sensors	✓	✓	✓	✓	✓	✓	✓	✓	✓	✓	✓	✓
FT150S, FT100S	50	FloTech™ stainless steel sensors	✓	✓	✓	✓	✓	✓	✓	✓	✓	✓	✓	✓

Notes:

NA Not Applicable (this product is not used in this application)

NR Not Recommended

NR1 Not Recommended (Cost and tendency for PTFE to become damaged from particulate material is not justified for this application.)

NR2 Not Recommended (Crude oil contains acids that are corrosive to steel parts.)

ULSD Ultra-Low Sulfur Diesel (ULSD) is a term used to describe a standard for defining diesel fuel with substantially lowered sulfur content. As of 2006, almost all of the petroleum-based diesel fuel available in Europe and North America is of a ULSD type.

Crude Oil Oil in its natural state, as it comes from the ground. Crude oil can contain various other chemicals and gases, many of which can be corrosive.

E10 10% Ethanol, 90% Gasoline

E20 20% Ethanol, 80% Gasoline

E85 85% Ethanol, 15% Gasoline

E100 100% Ethanol

B2 2% Biodiesel, 98% diesel (normally ULSD, as defined above)

B20 20% Biodiesel, 80% diesel (normally ULSD, as defined above)

B100 100% Biodiesel

¹ Petroleum companies often put additives in fuels; additives can affect compatibility with fittings and seals, Please contact Dixon® for more information. FKM GFLT is compatible with all liquids listed above and available from Dixon® by special quotation. Baylast™ is a proprietary seal compound from Dixon®.

REV 8, Mar 29, 2011

Recommendations For Alternative Fuels

Dixon® has completed several years of testing and engineering evaluation to ensure that our products are compatible with all modern motor fuels in use today.

Dixon® uses a proprietary seal compound that we refer to by the trade name Baylast™. Baylast™ has been tested both in the lab and in the field with excellent results. Baylast™ was developed so that we could offer a single seal material compatible with the wide range of alternative fuels used today. Many Dixon Bayco products have been using Baylast™ seals to ensure compatibility with alternate fuels - including E100 Ethanol, E85 Ethanol, B2 Biodiesel, B100 Biodiesel, Ultra-Low Sulfur Diesel, and standard refined gasoline and diesel products - with excellent results. Our tests indicate that Baylast™ performs well down to **-40°F (-40°C)**.

There are mechanical and temperature considerations that must be understood in order to determine which seal material is suitable for a specific application. A good example is PTFE; it has a very wide chemical compatibility range but is a poor seal material for mechanical reasons. Using FKM-B or FKM GF is one solution to ensure compatibility, but FKM has limitations regarding mechanical suitability for seal applications with moving joints. One critical and well known limitation to FKM is cold temperature. FKM will become hard at low temperatures, and seals with moving parts tend to weep liquid.

On the opposing page is our fuel compatibility chart, which outlines our recommendation for each Dixon Bayco product and type of fuel.

Should you have any questions or need additional technical support, please call Dixon® at: 877.963.4966.

Supertanker™ Program

The most reliable bottom loading tank package available... **Supertanker™**



Bottom load system problems keeping you awake? Our simple guarantee lets you rest easy. Every last valve, vent, adapter, sensor ... the complete Supertanker™ package.

- three-year warranty on hardware
- five-year warranty on FloTech™ overfill
- unmatched service in the industry
- we will come on-site, if that is what you need

canada.dixonvalve.com/supertanker

Real **solutions** for real challenges.

877.963.4966 • canada.dixonvalve.com



©2018 Dixon Valve. All rights reserved.



The Right Connection®

Common Excellence • Uncommon Excellence • Uncommon Excellence • Uncommon Excellence • Uncommon Excellence • Uncommon Excellence

Visit canada.dixonvalve.com/supertanker for more information.

Fuel Tanker Loading and Unloading

API Valves

Application:	Used for bottom loading and unloading of petroleum tankers, API valves are typically mounted to the piping below each tank compartment using the built-in 4" TTMA flange connection. Two styles are available: 1) Load only (without handle), which permits terminal loading only. Tanker unloading would be achieved through another tank connection. 2) Load/unload (with a handle), which permits both terminal loading and fuel unloading through the valve.
Standards:	Manufactured to American Petroleum Institute standard API RP-1004, which allows for positive connection to drop adapters and rack couplers, like the Dixon Bayco 5300/5400 series rack coupler.
Materials:	aluminum body, and handle, ¹ anodized hard coat aluminum nose ring, stainless steel hardware, Baylast™ ¹ , FKM ¹ and PTFE seals ¹ , nylon sight glass ¹ , acrylic full-body sight glass
Features & Benefits:	<ul style="list-style-type: none"> • Unique fluid flow sight level. ¹ • Ergonomically curved handle operates on a short 62° degree stroke (removable on some models ¹). • Any required maintenance is simplified; Dixon Bayco API Valves can be completely rebuilt without the need to remove the valve from the tanker ¹. • Nose ring is anodized hard-coat aluminum for years of trouble-free service. Nose ring can be rotated to provide a fresh connection surface. • Biofuel compatible up to E100 (100% Ethanol) ¹ and B100 (100% Biodiesel). For detailed fuel compatibility, please refer to the chart shown on page 28. • Maximum working pressure 75 PSI. • Units with sight glass max 140°F (60°C).

¹ Dependent upon part #. See part number list below for more details.

Load/Unload Valves

Part #	Description	Overall Length	Fuel Compatibility
5204NG	fixed handle with Baylast™ seals (no sight glass)	7"	Gasoline and diesel, up to E100 and B100 biofuels
5204NGC	Canadian API with Baylast™ seals (no sight glass)	7"	
5204	fixed handle, Baylast™ seals and sight glass	7"	Gasoline and diesel, up to E20 and B100 biofuels
5204P	fixed handle, Baylast™ seals and sight glass, drilled / tapped boss	7"	
5204C	Canadian API with Baylast™ seals and sight glass	7"	
5204SNG	fixed handle, Baylast™ seals and stainless steel spring (no sight glass)	7"	Crude oil, gasoline and diesel, up to E20 and B100 biofuels
5204TNG	fixed handle with PTFE seals (no sight glass)	7"	B100 Biodiesel
5204NGV	fixed handle with FKM seals (no sight glass)	7"	Gasoline and diesel, up to B100 Biodiesel
5204SFI	fixed handle, Baylast™ seals and in-line full body sight glass	8.81" ²	Gasoline and diesel, up to E100 and B100 biofuels
5204SFI-P	fixed handle, Baylast™ seals and in-line full body sight glass, drilled/ tapped	8.81" ²	

² Overall length of 5204SFI is the same as a 5204 API valve, gasket and 1¼" sight flow indicator combined.

Load Only Valves

Part #	Description	Overall Length	Fuel Compatibility
5204LNG	Baylast™ seals (no sight glass)	7"	Gasoline and diesel, up to E100 and B100 biofuels
5204LSNG	Baylast™ seals (no sight glass) with stainless steel spring	7"	Crude oil, gasoline and diesel, up to E20 and B100 biofuels
5204L	Baylast™ seals and sight glass	7"	Gasoline and diesel, up to E20 and B100 biofuels

See page 36 for TTMA flange gaskets. See pages 81 and 82 for bill of materials and repair kits.



Biofuel Compatible. See fuel compatibility chart on page 28 for more information.



Fuel Tanker Loading and Unloading

API Dust Caps



5205



5000-24



5000-25



5000-24L

Part #	Description
5205	aluminum API cap with flat Buna gasket, with nylon quick release lever
5000-24 ¹	aluminum API cap with O-ring Baylast™ seal, with brass cam arms
5000-25	nylon API cap with flat Buna seal, with plated steel padlock-able roller lever
5000-24L ¹	aluminum API cap with O-ring Baylast™ seal, with brass locking cam arms

¹ FKM seal available
See pages 107-108 for repair parts.

API Drop Adapters

- Maximum allowable operating pressure **75 PSI**.



4540



4540SG



4502



4540F



4504ASSM

Part #	Description	Fuel Compatibility
4530	API to 3" drop adapter, Baylast™ O-ring seal	Gasoline and diesel, up to E100 and B100 biofuels
4530SG	API to 3" drop adapter, Baylast™ flat gasket, in-line sight glass	
4540	API to 4" drop adapter, Baylast™ O-ring seal	
4540V	API to 4" drop adapter, FKM O-ring seal	Gasoline and diesel, up to B100 Biodiesel
4540SG	API to 4" drop adapter, Baylast™ flat gasket, one piece in-line sight glass	Gasoline and diesel, up to E100 and B100 biofuels
4501	4" TTMA flange x 3" Cam & Groove adapter w/ sight glass	
4502	API to 4" drop adapter, Buna-N seals, two piece design w/ sight glass	
4503	4" TTMA flange x 4" Cam & Groove adapter (straight) w/ sight glass	
4504	4" TTMA flange x 4" Cam & Groove adapter w/ sight glass	
4540SGV	API to 4" drop adapter, FKM flat gasket, in-line sight glass	Gasoline and diesel, up to B100 Biodiesel
4540F	API to 4" drop coupler, Buna-N gasket	Gasoline and diesel, up to E100 and B100 biofuels
4502ASSM	API to 4" drop adapter, Baylast™ O-ring w/ sight glass, two piece design	
4504ASSM	API to 4" drop coupler, Buna-N gasket w/ sight glass, two piece design	

Visit canada.dixonvalve.com for replaceable seal part number 2143SEALBU.

Dust Caps and Dust Plugs with Handle

Part #	Size	Description
300-DC-ALPH	3"	aluminum dust cap
300-DP-ALPH	3"	aluminum dust plug
400-DC-ALPH	4"	aluminum dust cap
400-DP-ALPH	4"	aluminum dust plug



300-DC-ALPH



400-DC-ALPH



300-DP-ALPH



400-DP-ALPH

Fuel Tanker Loading and Unloading

Gravity Drop Adapters



31440-225AL



41440-225AL



40447ST

Part #	Description	Fuel Compatibility
31440-225AL	4" API to 3" drop adapter with Buna-N flat gasket	Gasoline and diesel, up to E100 and B100 biofuels
41440-225AL	4" API to 4" drop adapter with Buna-N flat gasket	
40447ST	17" heavy-duty chain	

- See page 85 for repair parts/kits.



Gravity Drop Adapter Dust Caps



4540DC



4540DC-1200

Part #	Description
4540DC	4" nylon lightweight cap
4540DC-1200	4" nylon lightweight cap with chain


Not intended to be pressurized.



Fuel Tanker Loading and Unloading

TTMA Flanged Sight Flow Indicators

Features & Benefits:

- Due to the proprietary blending of petroleum products, Dixon® recommends that the thermoplastic tubing and the gaskets be immersion-tested in the product to be handled to ensure compatibility (not compatible with crude oil) 
- Durable, cast aluminum housing replaces competitors all-acrylic sight glass, commonly found on tank trucks.
- Allows for visual identification of the fuel grade prior to opening the valve.
- Works with tank truck flanged butterfly valves found on gasoline trucks.
- Low-cost sight glass tube can be easily replaced.
- Rated to **150 PSI**.



5200-SFI is shown here mounted on petroleum tank.



5200-SFI



5200-SPC

Part #	Description	Fuel Compatibility
5200-SFI-3	3" TTMA flange sight flow, 1¾" width, 3½" inside diameter	Gasoline and diesel, up to E100 and B100 biofuels
5200C-SFI-3¹	3" TTMA flange sight flow, 1¾" width, 3½" inside diameter, stainless retain ring	Gasoline and diesel, up to E100 and B100 biofuels, crude oil
5200-SFI	4" TTMA flange sight flow, 1¾" width, 4⅝" inside diameter	Gasoline and diesel, up to E100 and B100 biofuels
5200-SFIV	4" TTMA flange sight flow, 1¾" width, 4⅝" inside diameter, FKM seals	
5200C-SFI¹	4" TTMA flange sight flow, 1¾" width, 4⅝" inside diameter, stainless retain ring	Gasoline and diesel up to E100 and B100 biofuels, crude oil
5200-SPC	4" aluminum TTMA pattern solid flanged spacer (no sight glass)	All fuels

NEW

¹ Compatible with crude oil

Note: Maximum flange bolt torque is 200 in-lb (inch pounds). 

- See page 111 for sight glass repair kits.

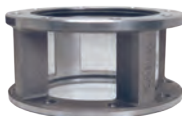
Fuel Tanker

TTMA Flanged Sight Flow Indicators

Petroleum

Features & Benefits:

- Due to the proprietary blending of petroleum products, Dixon® recommends that the thermoplastic tubing and the gaskets be immersion-tested in the product to be handled to ensure compatibility (not compatible with crude oil).
- Allows for visual identification of the fuel grade prior to opening the valve.
- Works with tank truck flanged butterfly valves found on gasoline trucks.
- Larger ID 4 3/8" flow indicator allows tank truck flanged butterfly valves to connect to either end of the indicator.
- maximum working pressure: **150 PSI**, TTMA flanges: **100 PSI**



5201-SFI

Part #	Description	Fuel Compatibility
5201-SFI	4" TTMA flange sight flow, 3 1/4" width, 4 3/8" inside diameter	Gasoline and diesel, up to E100 and B100 biofuels
5201-SFI-3	3" TTMA flange sight flow, 3 1/4" width, 3 1/2" inside diameter	

Note: Maximum flange bolt torque is 200 in-lb (inch pounds).



5201-CA



Part #	Description	Fuel Compatibility
5201CA	4" hose in-line sight glass with 4" cam & groove adapter x coupler	Gasoline and diesel, up to E100 and B100 biofuels
5201CA-3	3" sight flow indicator, 3" coupler x 3" adapter	
5201CC	4" sight flow indicator, 4" coupler x 4" coupler	

See page 111 for sight glass repair kits.

Product Indicators

Features & Benefits:

- full-sized: weight: 1 1/2 lbs
- full-sized: dimensions: 8" x 3" x 2 1/2" (L x W x H)
- Capable of displaying eight user-selectable product identification labels.
- Can be mounted in typical locations near API with standard bolt hole pattern.
- Customizable label sheets (standard size only) are sold in packs of 10.

Material:

- polished cast aluminum



DBPI080



DBPI080-MINI

Part #	Description
DBPI080	petroleum product indicator (includes empty, ethanol, diesel, U.L.S.D., regu;ar unleaded, plus unleaded, premium unleaded, jet fuel)
40462VY	product indicator base label
DBPI080-MINI	mini petroleum product indicator, 4.5" x 2.125" x 2.25", wt 10 oz .

Fuel Tanker

TTMA Flanges



TTF4AL-4MT



TTF4AL-4EMT



TTF4AL-4FT



TTF4AL



TTF400SP

Part #	Description	Fuel Compatibility
TTF3AL-3MT	3" TTMA flange x 3" male NPT, 2½" overall length	Gasoline and diesel, up to E100 and B100 biofuels
TTF4AL-3MT	4" TTMA flange x 3" male NPT, 2½" overall length	
TTF4ALHC-3MT	4" TTMA flange x 3" male NPT, 2½" overall length, hard-coated	
TTF4AL-3EMT	4" TTMA flange x 3" male NPT, 5½" overall length	
TTF4AL-3FT	4" TTMA flange x 3" female NPT, 2½" overall length	
TTF4AL-4MT	4" TTMA flange x 4" male NPT, 2½" overall length	
TTF4ALHC-4MT	4" TTMA flange x 4" male NPT, 2½" overall length, hard-coated	
TTF4AL-4EMT	4" TTMA flange x 4" male NPT, 5½" overall length	
TTF4AL-4FT	4" TTMA flange x 4" female NPT, 2½" overall length	
TTF3AL	3" TTMA butt weld on flange	
TTF4AL	4" TTMA butt weld on flange	
TTF300SP	3" TTMA socket weld on flange	
TTF400SP	4" TTMA socket weld on flange	

Cam and Groove x TTMA Flanges



400-ALT-AL



4022ALTAL



400-DLT-AL



4022DLTAL

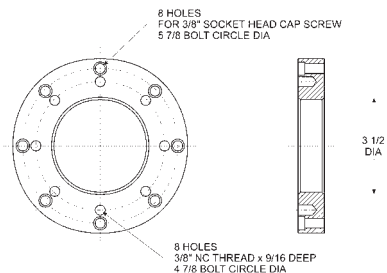
Part #	Description	Fuel Compatibility
300-ALT-AL	3" cam and groove adapter (straight) x 3" TTMA flange	Gasoline and diesel, up to E100 and B100 biofuels
3040ALTAL	3" cam and groove adapter (straight) x 4" TTMA flange	
400-ALT-AL	4" cam and groove adapter (straight) x 4" TTMA flange	
40022ALTAL	4" cam and groove adapter (22½°) x 4" TTMA flange	
600-ALT-AL	6" cam and groove adapter (straight) x 6" TTMA flange	
300-DLT-AL	3" cam and groove coupler (straight) x 3" TTMA flange	Gasoline and diesel, up to E85 and B20 biofuels
3040DLTAL	3" cam and groove coupler x 4" round tank truck flange	
400-DLT-AL	4" cam and groove coupler (straight) x 4" TTMA flange	
40022DLTAL	4" cam and groove coupler (22½°) x 4" TTMA flange	
600-DLT-AL	6" cam and groove coupler (straight) x 6" TTMA flange	

Fuel Tanker

TTMA Flange Reducer



4443



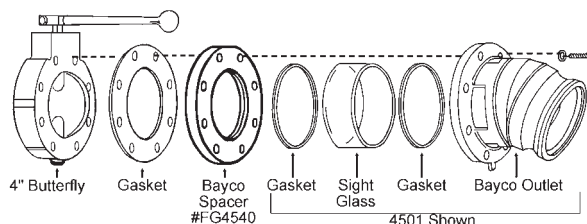
Petroleum

Part #	Description	Fuel Compatibility
4443	4" TTMA x 3" TTMA flange reducer	Gasoline and diesel, up to E100 and B100 biofuels

TTMA Butterfly Valve Spacer



FG4540



Part #	Description	Fuel Compatibility
FG4540	4" TTMA flange spacer	Gasoline and diesel, up to E100 and B100 biofuels

API and TTMA Flange Gaskets




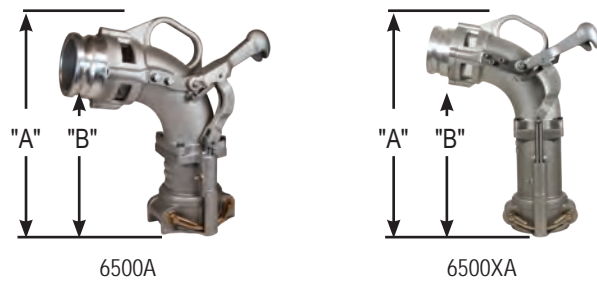
Part #	Size	Description	OD	ID	Thickness	Bolt Circle	Fuel Compatibility
300GTTFCB	3"	TTMA - Cork/Buna	5 5/8"	3 1/2"	1/8"	4 7/8"	Gasoline and diesel, up to E10 and B2 biofuels
300GTTFBL	3"	TTMA - Baylast™	5 5/8"	3 5/8"	1/8"	4 7/8"	
300GTTFK	3"	TTMA Klingersil® nylon	5 5/8"	3 1/2"	1/8"	4 7/8"	
40321TF	3"	TTMA - PTFE with soft fiber core	5 29/32"	3 1/2"	3/32"	4 7/8"	Gasoline and diesel, up to E100 and B100 biofuels
40364TF	3"	API Sump - PTFE with soft fiber core	7 1/4"	5"	5/32"	6 1/4"	
40364BL	3"	API Sump - Baylast™	7 1/4"	5"	1/8"	6 1/4"	
400GTTFCB	4"	TTMA - Cork/Buna	6 5/8"	4 9/16"	1/8"	5 7/8"	Gasoline and diesel, up to E10 and B2 biofuels
400GTTFBL	4"	TTMA - Baylast™	6 5/8"	4 5/8"	1/8"	5 7/8"	
400GTTFK	4"	TTMA Klingersil® nylon	6 5/8"	4 9/16"	1/8"	5 7/8"	
40322TF	4"	TTMA - PTFE with soft fiber core	6 7/8"	4 5/8"	3/32"	5 7/8"	Gasoline and diesel, up to E100 and B100 biofuels
40323TF	4"	API Sump - PTFE with soft fiber core	8 3/8"	5 7/8"	5/32"	7 1/4"	
40323BL	4"	API Sump - Baylast™	8 1/4"	6 1/8"	1/8"	7 1/4"	Gasoline and diesel, up to E10 and B2 biofuels

Fuel Delivery

6500 Series - Fuel Delivery Elbows

Petroleum

- Features & Benefits:**
- Available in standard or tall heights to accommodate deep-fill boxes.
 - rugged, modular cast aluminum construction
 - Most parts are common throughout the Bayco elbow line, making any necessary maintenance a breeze.
 - Grease nipple enables the greasing of the lever stem, and acetal bushings help keep everything moving smoothly even in the harshest of conditions.
 - Bolt-on inlets allow the inlet to be changed without having to worry about galling of threaded inlets.
 - Ball-handle lever enables the operator to easily and positively engage the solid bronze locking arms onto the underground adapter.
 - Biofuel compatible up to E100 (100% Ethanol) and B20 (20% Biodiesel).  For detailed fuel compatibility, please refer to the chart shown on page 28.
 - Heavy-duty, bolt-on arm attachment plate increases the strength of the lever pivot. There are no impact-susceptible pivot bolts, or casting bosses to break.
 - Arm hinge points use a double-yoke design, which increases the arm strength.
 - Built in heavy-duty locking mechanism prevents accidental elbow disconnections while the elbow is in service. No need for the operator to engage the locking mechanism, just move the handle to the closed position, and the lock automatically engages. Releasing the lock is equally easy, just grip the handle and lift. The locking mechanism has lots of free clearance so it will not be affected by dirt, ice or snow. (Elbow disconnections can occur on other elbow designs, from either operators bumping the release mechanism, or from a hydraulic surge when the underground storage tank overfill valve slams shut.)
 - Ergonomic handle can be mounted on either side of the elbow.



Part #	Description	"A"	"B"	Fuel Compatibility
6500	standard height full feature elbow only, without inlet connection	17 ³ / ₄ "	10 ⁷ / ₈ "	Gasoline and diesel, up to E100 & B20 biofuels
6500C	standard height full feature elbow with 3" adapter inlet	17 ³ / ₄ "	10 ⁷ / ₈ "	
6500A	standard height full feature elbow with 4" adapter inlet	17 ³ / ₄ "	10 ⁷ / ₈ "	
6500B	standard height full feature elbow with 3" coupler inlet	17 ³ / ₄ "	10 ⁷ / ₈ "	
6500D	standard height full feature elbow with 4" coupler inlet	17 ³ / ₄ "	10 ⁷ / ₈ "	
6500T	elbow with locking handle and anti-spill sleeve, without inlet connection	17 ³ / ₄ "	10 ⁷ / ₈ "	
6500AT	elbow with locking handle, 4" adapter inlet and anti-spill sleeve	17 ³ / ₄ "	10 ⁷ / ₈ "	
6500X	tall height full feature elbow only, without inlet connection	21"	13 ³ / ₄ "	
6500XC	tall height full feature elbow with 3" adapter inlet	21"	13 ³ / ₄ "	
6500XA	tall height full feature elbow with 4" adapter inlet	21"	13 ³ / ₄ "	
6500XB	tall height full feature elbow with 3" coupler inlet	21"	13 ³ / ₄ "	
6500XD	tall height full feature elbow with 4" coupler inlet	21"	13 ³ / ₄ "	
6500XT	tall height full feature elbow with locking handle, no inlet, with anti-spill sleeve	21"	13 ³ / ₄ "	
6500XAT	tall elbow with locking handle, 4" adapter inlet and anti-spill sleeve	21"	13 ³ / ₄ "	



See pages 87 and 90 for repair kits and replacement parts. Product instruction sheets and technical data can be viewed on our website at canada.dixonvalve.com.

Fuel Delivery

Fuel Delivery Connectors Straight Drop Fuel Delivery Connectors



6304NPT

Part #	Description	Overall Height	Fuel Compatibility
6303	4" top seal with 3" adapter inlet	17 ⁵ / ₈ "	Gasoline and diesel, up to E100 and B20 biofuels
6304	4" top seal with 4" adapter inlet	16 ³ / ₁₆ "	
6303NPT	4" top seal with 3" male NPT inlet	19 ³ / ₄ "	
6304NPT	4" top seal with 4" male NPT inlet	19 ³ / ₁₆ "	

See page 114 for repair kits and replacement parts.

Fuel Delivery Elbow Inlets and Anti-Spill Tubes



6000-17



6000-14



6000-20

Part #	Description	Fuel Compatibility
6000-16	3" adapter inlet	Gasoline and diesel, up to E100 and B20 biofuels
6000-17	4" adapter inlet	
6000-15	3" coupler inlet	
6000-14	4" coupler inlet	
6000-20	4" female NPT inlet	
6000F	in-line screen for drop elbows	

These inlets are for 6000 and 6500 series fuel delivery elbows only. For the 6400 series coaxial elbow inlets, refer to the inlets shown on page 39.

Side Seal Fuel Delivery Elbows



6000ASC

Part #	Description	Fuel Compatibility
6000AS	side seal elbow without inlet connection	Gasoline and diesel, up to E100 & B20 biofuels
6000ASC	side seal elbow with 3" adapter inlet	
6000ASA	side seal elbow with 4" adapter inlet	
6000ASB	side seal elbow with 3" coupler inlet	
6000ASD	side seal elbow with 4" coupler inlet	
6000AST	side seal elbow without inlet connection, with anti-spill sleeve.	
6000ASAT	side seal elbow with 4" adapter inlet, with anti-spill sleeve.	
6000ASAL	side seal elbow with 4" adapter inlet, with locking ring.	
6000ASR	optional add-on locking ring prevents levers from moving.	

See page 112 for repair kits and replacement parts.

Fuel Delivery

Side Seal to Top Seal Adapter

Part #	Description	Fuel Compatibility
6000-SSA	top seal to side seal connection adapter	Gasoline and diesel, up to E100 and B20 biofuels

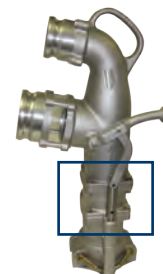


6000SSA

Elbow Height Extensions



6000EXT



spacer kits shown assembled to elbows

Part #	Description	Fuel Compatibility
6000EXT	3" height extension kit for 6500, VR6000 and VR6500 elbows. Kit includes: body and stem extensions, four stainless steel nuts and bolts, and stem pin.	Gasoline and diesel, up to E100 and B20 biofuels
6400EXT	3" height extension kit for 6400 coaxial elbows. Kit includes: body and stem extensions, four stainless steel nuts and bolts, stem pin and replacement vapor tube.	

Tank Cabinet "Dummy" Weld-on Adapters

Part #	Description
AL4051-BORE	4" fuel delivery - cabinet weld-on adapter blank
400AWSPAL	4" vapor recovery - cabinet weld-on adapter blank



AL4051-BORE



400AWSPAL

Coaxial Elbow-Replacement Fuel Inlets and Vapor Outlets



6000-17C



6000-26C



6000-14C


Part #	Description	Fuel Compatibility
6000-16C	3" adapter fuel inlet	Gasoline and diesel, up to E100 and B20 biofuels
6000-17C	4" adapter fuel inlet	
6000-15C	3" coupler fuel inlet	
6000-14C	4" coupler fuel inlet	
6400-4	3" adapter vapor outlet	
6000-26C	3" male NPT vapor outlet	

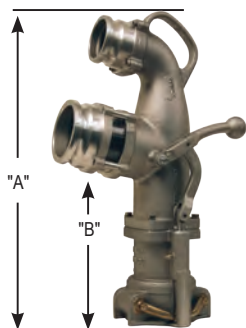
- These inlets are for 6400 series coaxial elbows only. For 6000 and 6500 series delivery elbows, refer to the inlets shown on page 38.

Fuel Delivery / Vapor Recovery

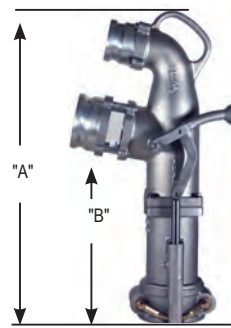
Single Point Coaxial Delivery / Vapor Recovery Elbows

Features & Benefits:

- Available in standard or tall heights to accommodate deep-fill boxes.
- Rugged, modular cast aluminum construction.
- Many parts are common throughout the Bayco elbow line, making any necessary maintenance a breeze.
- Grease nipple enables the greasing of the lever stem, and acetal bushings help keep everything moving smoothly even in the harshest of conditions.
- Bolt-on inlets allow the inlet to be changed without having to worry about galling of threaded inlets. See below for replacement inlets. (Note: Coaxial inlets are not interchangeable with other Bayco elbow inlets.)
- Ball-handle lever enables the operator to easily and positively engage the solid bronze locking arms onto the underground adapter.
- Top connection is the vapor outlet; lower connection is the fuel delivery inlet.
- Biofuel compatible up to E100 (100% Ethanol) and B20 (20% Biodiesel).  For detailed fuel compatibility, please refer to the chart shown on page 28.



6400



6400X

Part #	Description	"A" Overall Height	"B" Ground Clearance	Fuel Compatibility
6430	standard height elbow with 3" adapter fuel inlet, 3" adapter vapor outlet	23 ³ / ₄ "	11 ³ / ₄ "	Gasoline and diesel, up to E100 and B20 biofuels
6430F	standard height elbow with 3" coupler fuel inlet, 3" adapter vapor outlet	23 ³ / ₄ "	11 ³ / ₄ "	
6400	standard height elbow with 4" adapter fuel inlet, 3" adapter vapor outlet	23 ³ / ₄ "	11 ³ / ₄ "	
6400F	standard height elbow with 4" coupler fuel inlet, 3" adapter vapor outlet	23 ³ / ₄ "	11 ³ / ₄ "	
6400FNPT	standard height elbow with 4" coupler fuel inlet, 3" male NPT vapor outlet	23 ³ / ₄ "	11 ³ / ₄ "	
6430X	tall height elbow with 3" adapter fuel inlet, 3" adapter vapor outlet	26 ³ / ₄ "	14 ³ / ₄ "	
6430XF	tall height elbow with 3" coupler fuel inlet, 3" adapter vapor outlet	26 ³ / ₄ "	14 ³ / ₄ "	
6400X	tall height elbow with 4" adapter fuel inlet, 3" adapter vapor outlet	26 ³ / ₄ "	14 ³ / ₄ "	
6400XF	tall height elbow with 4" coupler fuel inlet, 3" adapter vapor outlet	26 ³ / ₄ "	14 ³ / ₄ "	
6400XFNPT	tall height elbow with 4" coupler fuel inlet, 3" male NPT vapor outlet	26 ³ / ₄ "	14 ³ / ₄ "	

Elbow options are shown on page 39. See page 115 for repair kits and replacement parts.




Biofuel Compatible. See fuel compatibility chart on page 28 for more information.

Fuel Delivery / Vapor Recovery

Fuel Station, In-Ground Tank Adapters and Caps

Petroleum

Application:	When fuel is delivered to the fuel station, the fuel delivery and vapor recovery elbows are connected to the in-ground tank adapters. There are two types that do not interchange; 1) is for fuel delivery using either standard or coaxial delivery elbows; 2) is for the vapor recovery elbows. The delivery adapter is threaded onto the in-ground tank fuel inlet, and the vapor adapter is threaded to the in-ground tank vapor outlet connection. To prevent contamination and fuel evaporation, the tank adapters are capped with T-handle caps when not in use.
Standards:	Manufactured with 4" pipe threads to connect to in-ground fuel station tanks and then provide an interface to connect the top seal fuel drop or vapor recovery elbows.
Materials:	Adapters are either produced from bronze ¹ or Bayloy™ ¹ . Caps are produced in aluminum ¹ , bronze ¹ or nylon ¹ , Buna seals.
Features & Benefits:	<p>Delivery Adapters (top seal):</p> <ul style="list-style-type: none"> • available with 4" NPS or 4" NPT threads, with 3½" or 2-¾" heights • rugged bronze or Bayloy™ cast construction <p>Delivery Adapter Caps</p> <ul style="list-style-type: none"> • Designed to fit fuel delivery adapters only. • Rugged, durable construction aluminum or bronze bodies, with bronze push-pull T-handle. • Protect the delivery adapter, and prevent fuel contamination, evaporation and tampering. • padlock-able <p>Vapor Adapters</p> <ul style="list-style-type: none"> • rugged bronze or Bayloy™ cast construction • Outlet poppet valves prevent fuel vapors from escaping - poppet opens when vapor elbow is connected. • Can be used as vapor valve on a fuel tanker (does not have mount for air interlock). <p>Vapor Adapter Caps</p> <ul style="list-style-type: none"> • Designed to fit fuel vapor adapters and truck-mounted vapor valves. • Colored orange to signify vapor connection. • Durable and lightweight construction aluminum or nylon bodies, with push-pull T-handle. • Protect the vapor adapter and prevent fuel contamination and tampering. • padlock-able • Biofuel compatible, up to E100 (100% Ethanol) and B20 (20% Biodiesel).  For detailed fuel compatibility, please refer to the chart shown on page 28.

¹ Dependent upon part #. See part number list below for more details.

Fuel Delivery



BZ4051



BZ4051S



BSS4051



SA4050AL

Part #	Description
BSS4051	bronze fuel delivery tank adapter, 4" female NPT, 1 ²¹ / ₃₂ " height, side seal
BZ4051	bronze fuel delivery tank adapter, 4" female NPT, 3½" height, top seal
BY4051	Bayloy™ fuel delivery tank adapter, 4" female NPT, 3½" height, top seal
BZ4051S	bronze fuel delivery tank adapter, 4" female NPS, 2¾" height, top seal
SA4050AL	aluminum fuel delivery adapter cap, bronze push-pull T handle, Buna gasket
SA4050BZ	bronze fuel delivery adapter cap, bronze push-pull T handle, Buna gasket
TL4070BZ	bronze fuel delivery adapter cap, bronze twin lever handle

Vapor Recovery



VR4086



VR4050AL




VR4050PL

Part #	Description
VR4086	bronze vapor recovery tank adapter, 4" FNPT, 3⅝" height, with vapor poppet
VR4086-BY	Bayloy™ vapor recovery tank adapter, 4" FNPT, 3⅝" height, with vapor poppet
VR4050AL	aluminum vapor recovery cap, colored vapor orange, push-pull T handle, Buna gasket
VR4050PL	nylon vapor recovery cap, colored vapor orange, push-pull T handle, Buna gasket
VR4050ALC	aluminum vapor recovery cap, colored vapor orange, push-pull T handle, Buna gasket, with chain
VR4050PL-1200	nylon vapor recovery cap, colored vapor orange, push-pull T handle, Buna gasket, with chain


See page 121 for repair kits and replacement parts.

Product instruction sheets and technical data can be viewed on our website at canada.dixonvalve.com.

Biofuel Vapor Compatible. 

Fuel Delivery / Vapor Recovery

Dual Point - Vapor Recovery Elbows

Application:	In many areas fuel stations are equipped with dual point tank connections; one connection is for the fuel delivery, and the other connection is for the vapor recovery connection. The vapor elbow bottom connection is connected to the fuel station on a ground tank vapor adapter and the top connection to the vapor hose, which returns the fuel vapors back to the tanker.
Standards:	Manufactured to connect to in-ground fuel station vapor adapters and cam and groove vapor hose connections.
Materials:	aluminum body and handle, bronze locking arms ¹ , stainless steel hardware, Baylast™ and Buna seals, and acetal bushings
Features & Benefits:	<ul style="list-style-type: none"> • rugged, modular cast aluminum construction • Many parts are common throughout the Bayco elbow line, making any necessary maintenance a breeze. • Grease nipple enables the greasing of the lever stem, and acetal bushings help keep everything moving smoothly even in the harshest of conditions. • Inlet probes are standard and are available with or without outlet poppet valves. • Bolt-on outlets allow the outlet to be changed without having to worry about galling of threads. See below for replacement outlets. • VR6100 series features a simple to connect push-on style connection. • VR6500 series features an ergonomic ball handle lever which, on the 6500 series, can be mounted either on the left or the right side. • VR6500 series features heavy-duty bolt-on arm attachment plate, which increases the strength of the lever pivot. There are no impact-susceptible pivot bolts, or casting bosses to break. • VR6500 series features arm hinge points use a double-yoke design, which increases the arm strength. • Biofuel vapor compatible, up to E85 (85% Ethanol) and B20 (20% Biodiesel).  For detailed fuel compatibility, please refer to the chart shown on page 4.

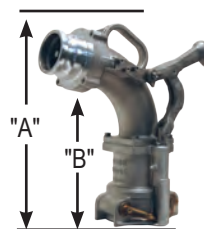
¹ Dependent upon part #. See part number list below for more details.



VR6000NP



VR6100NP



VR6500

Part #	Description	Outlet Poppet Valve	"A" Overall Height	"B" Ground Clearance	Vapor Compatibility
VR6000NP	D-handle, 3" adapter outlet	No	17¼"	10¾"	Gasoline and diesel, up to E85 & B20 biofuels
VR6100NP	push-on style, 3" adapter outlet	No	18¾"	12½"	
VR6500	heavy-duty ball-lever handle, 3" adapter outlet	Yes	17¼"	11¼"	
VR6500NP	heavy-duty ball-lever handle, 3" adapter outlet	No	17¼"	11¼"	
VR6500LPNP	heavy-duty ball-lever locking handle, 3" adapter outlet	No	20¼"	13¾"	
VR6000-6	replacement 3" adapter outlet, for elbows with or without poppets	-	-	-	Gasoline and diesel, up to E100 & B20 biofuels
6000-17	replacement 4" adapter outlet, for elbows without poppets, requires liquid sealant to seal to elbow body	-	-	-	
6000-15	replacement 3" coupler outlet, for elbows without poppets, requires liquid sealant to seal to elbow body	-	-	-	
6000-14	replacement 4" coupler outlet, for elbows without poppets, requires liquid sealant to seal to elbow body	-	-	-	

See pages 117-120 for repair kits and replacement parts.



Biofuel Compatible. See fuel compatibility chart on page 28 for more information.

Vapor Recovery

Vapor Return Valves

Petroleum

Standards:	Manufactured to connect to vapor hose couplings.
Materials:	aluminum body and Buna seals, nylon ¹ or acrylic ¹ sight glass if equipped
Features & Benefits:	<ul style="list-style-type: none"> • rugged, cast aluminum construction • Variety of tank connections to suit any application including: 4" TTMA flange, 3" and 4" female NPT and 4" female NPS • air interlock mounting pad (VR4000 requires 5000AIV; other models can use the 5000AI, 5000AIS or 5000AIST interlock valves) • VR4000 is a bulb design which allows for maximum vapor flow; it also features two large, acrylic sight glasses and a drain plug. • Available with or without poppets. Poppeted versions prevent vapor from escaping from the tanker. • Easy seal replacement while still on the tanker. • Biofuel vapor compatible, up to E100 (100% Ethanol) and B20 (20% Biodiesel). For detailed fuel compatibility, please refer to the chart shown on page 28.

¹ Dependent upon part #. See part number list below for more details.



VR3100



VR4000



VR4100



VR4100F



VR4100F-SFI

Part #	Adapter Size	Tanker Connection	Inlet Poppet Valve	Sight Glass	Description	Vapor Compatibility
VR3100	4"	3" female NPT	Yes	No	Vapor valve, low-profile design	Gasoline and diesel, up to E100 & B20 biofuels
VR3100NP	4"	3" female NPT	No	No		
VR4100	4"	4" female NPT	Yes	No		
VR4100NP	4"	4" female NPT	No	No		
VR4100S	4"	4" female NPS	Yes	No		
VR4100NPS	4"	4" female NPS	No	No		
VR4100F	4"	4" TTMA flange	Yes	Yes		
VR4100FNG	4"	4" TTMA flange	Yes	No		
VR4100F-SFI	4"	4" TTMA flange	Yes	Yes		
VR4100F-NGNP	4"	4" TTMA flange	No	No		
VR4000	4"	4" TTMA flange	Yes	Yes	Bulb design for maximum flow (if required use 5000AIV interlock valve)	

See pages 122-123 for repair kits and replacement parts.

Orange Vapor Caps



VR4050PL



VR4050PLC



VR4050AL

Part #	Description	Vapor Compatibility
VR4050ALT	aluminum vapor recovery adapter cap, color orange, push-pull T-handle, Buna gasket	Gasoline and diesel, up to E100 & B20 biofuels
VR4050PL	nylon vapor recovery adapter cap, color orange, push-pull T-handle, Buna gasket	
VR4050ALC	aluminum vapor recovery adapter cap, color orange, push-pull T-handle, Buna gasket, with chain	
VR4050PLC	nylon vapor recovery adapter cap, color orange, push-pull T-handle, Buna gasket, with chain	

See page 121 for repair kits and replacement parts.

Vapor Recovery

Vapor Hose Couplings

Petroleum



VR4030CS-AL



VR4040CS-AL



VR4040CS-AL

Part #	Coupler Size	Connection Type & Size	Poppet Valve	Probe	Vapor Compatibility
<i>VRC3000AL</i>	3"	3" hose	No	Yes	Gasoline and diesel, up to E100 and B20 biofuels
<i>VR4030CS-AL</i> ¹	4"	3" hose	Yes	Yes	
NEW <i>VR4040CS-AL</i>	4"	4" hose	Yes	Yes	
NEW <i>VR4030CS-AL45</i>	4"	3" 45° hose	Yes	Yes	
<i>VR4040CS-AL45</i>	4"	4" 45° hose	Yes	Yes	
<i>VR4040CS-ALS45</i>	4"	4" 45° hose swivel	Yes	Yes	
<i>VR4040CS-4MNPT</i>	4"	4" male NPT	Yes	Yes	
<i>4020-CVR-AL</i>	4"	2" hose	No	Yes	
<i>4030-CVR-AL</i>	4"	3" hose	No	Yes	
<i>400-CVR-AL</i>	4"	4" hose	No	Yes	
<i>4030-DVR-AL</i>	4"	3" female NPT	No	Yes	
<i>400-DVR-AL</i>	4"	4" female NPT	No	Yes	
<i>4030-DAVR-AL</i>	4"	3" cam & groove adapter	No	Yes	
<i>400-DDVR-AL</i>	4"	4" cam & groove coupler	No	Yes	
<i>VR4030CS-NP</i>	4"	3" hose	No	Yes	
<i>VR4030CS-SH</i>	4"	3" hose	Yes	Yes	
<i>VR4040CSRK1</i>	---	seal repair kit	---	---	
<i>VR4040CSRK2</i>	---	cam arm repair kit	---	---	
<i>VRHK 1</i>	---	handle kit	---	---	
<i>VRHK-C 1</i>	---	compact handle kit	---	---	

¹ VR4030CS-AL will not work with Civacon 633LVH vapor valve and requires poppet-style vapor valve on tank truck to open.

See pages 124-126 for repair kits and replacement parts.

Sequential Vapor Vents



VR6030SQ



VR6035SQ



40193AL

Features & Benefits:

- Can be installed to open in sequence with another pneumatically-controlled device, such as the emergency valve, or to open independently by simply plugging the lower of the two ports (use a 1/4" male NPT plug).
- Flange adapter available to adapt 3" TTMA (VR6035SQ) version to a Parker style vent.
- rugged, cast aluminum construction
- Any necessary maintenance is easy to perform.
- temperature range: **-40°F to 160°F (-40°C to 71°C)**

Part #	Description	Vapor Compatibility
<i>VR6030SQ</i>	for 16" manhole, with threaded mounting ring	Gasoline and diesel, up to E100 and B100 biofuels
<i>VR6035SQ</i>	for 20" manhole, with 3" TTMA flange	
<i>40193AL</i>	VR6035SQ adapter flange for Parker style vents	Gasoline and diesel, up to E100 and B100 biofuels

See page 127-128 for repair kits and replacement parts.

Outbreathing and Inbreathing Vents



VRP3500
VRP3600

VRV3501

Part #	Description	Vapor Compatibility
<i>VRP3500</i>	outbreathing, opens at no greater than 1 PSI (MC306)	Gasoline and diesel, up to E100 and vB100 biofuels
<i>VRP3600</i>	outbreathing, opens at no less than 0 PSI (DOT406)	
<i>VRV3501</i>	inbreathing, opens at 1.5" Hg (vacuum)	

See page 129 repair kits and replacement parts.

Vapor Recovery

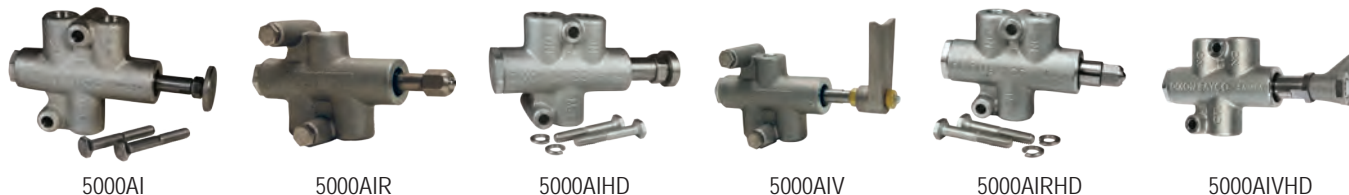
Air Interlock Valves

Features & Benefits:

- temperature range: **-40°F to 158°F (-40°C to 70°C)**
- maximum working pressure: **150 PSI**

See pages 130-132 for repair kits and replacement parts.

Standard Air Interlock Valves



Part #	Description
5000AI	1" button plunger pneumatic interlock, Baylast™ seals
5000AIST	1½" button plunger pneumatic interlock, Baylast™ seals
5000AIR	roller ball plunger pneumatic interlock, ideal for use on cabinet doors, Baylast™ seals
5000AIS	1" button plunger pneumatic/electronic interlock, ideal for connecting to lights or the overfill detection system, Baylast™ seals
5000AIV	paddle plunger pneumatic interlock, for use on VR4000 vapor valve, Baylast™ seals
5000AIHD	heavy-duty, high flow air ports, same foot print as 5000AI, Baylast™ seals
5000AIRHD	roller end for various angles, large air ports, Baylast™ seals
5000AIVHD	heavy-duty air interlock with paddle plunger, Baylast™ seals

Heavy-Duty 6 Port Air Interlock Valves

Feature & Benefit:

- temperature range: **-40°F to 158°F (-40°C to 70°C)**



Part #	Description
5006AIHD	heavy-duty, high-flow air ports, Baylast™ seals
5006AIRHD	roller end for various angles, large air ports, Baylast™ seals
5006AIVHD	heavy-duty air interlock with paddle plunger, Baylast™ seals

Air Interlock Valve Accessories



Part #	Description
DB300PMB	mount 5000AI air interlock on 3" pipe
DB400PMB	mount 5000AI air interlock on 4" pipe
5000S	air interlock limit switch kit
5000AIVS	air interlock limit switch kit
5000AISHD	heavy-duty air interlock limit switch kit
5000AISTHD	heavy-duty air interlock on 1.5" pipe
40048WI	air interlock limit switch cable

Petroleum

Fuel Tanker

Hose Tube Doors

Petroleum

Application:	When not in use fuel delivery hoses are often stored in tubes that run the length of the tanker. To keep the hoses in the storage tubes, they have a welded cap on one end and a hinged tube door welded on the other end.
Standards:	Manufactured to weld to 6", 7" or 8" hose tubes.
Materials:	aluminum body, Buna seals, stainless steel door closure spring and hardware, nylon bushings
Features & Benefits:	<ul style="list-style-type: none"> • pad-lockable • Keeps fuel delivery hoses neatly and safely stored in the designated storage tubes. • Helps to protect the expensive delivery hoses and fittings from road dirt, salt and other environmental factors.



TDF6



TDF7



TDF8

Part #	Description
TDF6	6" hose tube door
TDF7	7" hose tube door
TDF8	8" hose tube door

See page 130 for repair kits and replacement parts.

Aluminum Ladder Step

Application:	To allow for inspection and maintenance access to the top of the tanker, tankers often have a ladder welded to the tank.
Standards:	manufactured to weld to 2" aluminum tube
Materials:	high-tensile aluminum alloy
Features & Benefits:	<ul style="list-style-type: none"> • contoured tube connections to aid welding • for 2" tubing, 13" wide • Serrated to provide a safe, sure grip; anti-slip tread. • Allows easy, safe ladder access to the top of the tanker.



Part #	Description
15S	ladder step

Static Grounding Balls

Application:	To help prevent static electricity sparking when loading or unloading tankers containing flammable products, the tanker is grounded using a grounding cable with spring clip attached to a tank-mounted static grounding ball.
Standards:	Manufactured with 3/8" -16UN-3A thread.
Materials:	brass or stainless steel
Features & Benefits:	<ul style="list-style-type: none"> • Helps eliminate static electricity sparking.



GS1



GS1-2



GS2

Part #	Description
GS1	brass grounding ball
GS1-2	brass grounding ball with lock washer and stainless steel nut
GS2	stainless steel grounding ball

Tanker Pipe Caps



PC30

Features & Benefits:	<ul style="list-style-type: none"> • Includes 12" heavy-duty chain with S-hook. • Pin lugs allow easy tightening. • working pressure of up to 150 PSI
---------------------------------	---

Part #	Description
PC30	3" female NPSL pipe threaded aluminum cap

Fuel Tanker

One Way Full-Flow Ball Valves

Application:	One way full-flow ball valves are often used to control the flow of products from tanker compartments.
Standards:	manufactured with 2", 3" or 4" female NPT, socket weld to Schedule 40 or grooved ends
Materials:	aluminum body, aluminum and stainless steel wetted parts, FPM (FKM and PTFE seals)
Features & Benefits:	<ul style="list-style-type: none"> • high-flow with low pressure drop • Working pressure of 150 PSI at 70°F (21°C). • Valve spindle can be disassembled with valve installed.

Part #	Size	Description
1WAYBV200	2"	female NPT
1WAYBV300	3"	female NPT
1WAYBV400	4"	female NPT
1WAYBV200SW	2"	Schedule 40 socket weld
1WAYBV300SW	3"	Schedule 40 socket weld
1WAYBV200VIC	2"	grooved connections
1WAYBV300VIC	3"	grooved connections



1WAYBV300



1WAYBV300SW



1WAYBV300VIC

Two Way 3 Port Diverting Ball Valves

Application:	Two way diverting ball valves are often used to divert or mix products between tanker compartments.
Standards:	Manufactured with 2", 3" or 4" female NPT, socket weld to Schedule 40 or grooved ends.
Materials:	aluminum body, aluminum and stainless steel wetted parts, FPM (FKM and PTFE seals)
Features & Benefits:	<ul style="list-style-type: none"> • Three ports allow easy flow diversion between tanker compartments. • high-flow with low pressure drop • working pressure of 150 PSI at 70°F (21°C) • Valve spindle can be disassembled with valve installed.

Part #	Size	Description
2WAYBV200	2"	female NPT
2WAYBV300	3"	female NPT
2WAYBV400	4"	female NPT
2WAYBV200SW	2"	Schedule 40 socket weld
2WAYBV300SW	3"	Schedule 40 socket weld
2WAYBV200VIC3	2"	grooved connections
2WAYBV300VIC3	3"	grooved connections



2WAYBV300



2WAYBV300SW



2WAYBV300VIC3

Product instruction sheets and technical data can be viewed on our website at canada.dixonvalve.com

Dry Disconnects

Cam and Groove Style Dry Disconnect Couplings

Petroleum

Application:	Dry disconnects help prevent spillage from normal or accidental disconnection of the connection. A spring loaded sealing device is designed to snap closed should the valve become disconnected with the poppet open, significantly limiting liquid loss.
Standards:	Manufactured to interchange with other cam and groove type dry disconnect couplings. Canadian registration number; CRN #OH14044 all provinces; 3" size rated to 80 PSI for CRN-required applications.
Materials:	Zinc, aluminum or stainless steel bodies with Buna ¹ , FKM ¹ , FKM-B ¹ , PTFE encapsulated silicone ¹ , EPT (EPDM) ¹ , FFKM, PTFE encapsulated FKM and PTFE seals, see part number chart below for full seal selection. Contact Dixon® at 877-963-4966 for working pressures at temperatures other than 70°F (21°C) and for chemical compatibility, size and material selection. Stainless steel corrosion resistance is equivalent to 304 stainless steel.
Features & Benefits:	<ul style="list-style-type: none"> • Helps eliminate the possibility of costly spills. • Compatible with most other brands of cam and groove style dry disconnects. • Special configurations can be designed for your application. • female NPT or 150# flanged connections <p>DBA Adapters</p> <ul style="list-style-type: none"> • Two-piece adapter design for easy rebuilding of adapters. • Stainless steel parts have a stainless steel piston. • Adapters below are used with the DBC or D2C couplers shown on pages 36 and 37. • Use standard cam and groove dust caps sized one size larger than the dry disconnect size; see chart below for dust cap size selection. <p>DBC Couplers</p> <ul style="list-style-type: none"> • Large, paddle-type locking cam arms standard on 3" fittings, allow for an easy grip. • DBC series have automatic closing poppet assembly. • Heavy-duty stainless steel crank and link provide long service life. • Stainless steel handle assembly allows exposure to corrosive chemicals or wash down service. • Strong handle attachment prevents bending of crank assembly. • Aluminum couplers have stainless steel internal parts. • EZ Boss-Lock™ cam arms standard on all 1½" and 2" fittings, provide high security from accidental opening due to vibration or snagging. Very easy to use: Close the arms and they lock; to open simply lift the lever (possible even with gloves on).

¹ Dependent upon part #. See part number list below for more details.



DBA71-200



DBA11-300

Female NPT Adapters

Female NPT Size	Adapter Size	Seal Material	Max PSI @ 70°F (21°C)	Aluminum Part #	Zinc/Aluminum Part #	Competitor Part #	Stainless Steel Part # ²	Competitor Part #
1½"	2"	Buna	210	---	DBA11-150	1611AN-AL15	DBA71-150	1671AN-SS15
2"	2½"	Buna	150	DBA61-200	DBA11-200	1611AN-AL20	DBA71-200	1671AN-SS20
3"	4"	Buna	120	---	DBA11-300	1611AN-AL30	DBA71-300	1671AN-SS30
1½"	2"	FKM	210	---	DBA12-150	1612AN-AL15	DBA72-150	1672AN-SS15
2"	2½"	FKM	150	DBA62-200	DBA12-200	1612AN-AL20	DBA72-200	1672AN-SS20
3"	4"	FKM	120	---	DBA12-300	1612AN-AL30	DBA72-300	1672AN-SS30
1½"	2"	PTFE encapsulated silicone	210	DBA63-150	---	1613AN-AL15	DBA73-150	1673AN-SS15
2"	2½"	PTFE encapsulated silicone	150	DBA63-200	---	1613AN-AL20	DBA73-200	1673AN-SS20
3"	4"	PTFE encapsulated silicone	120	DBA63-300	---	1613AN-AL30	DBA73-300	1673AN-SS30
1½"	2"	EPDM	210	DBA64-150	---	1614AN-AL15	DBA74-150	1674AN-SS15
2"	2½"	EPDM	150	DBA64-200	---	1614AN-AL20	DBA74-200	1674AN-SS20
3"	4"	EPDM	120	DBA64-300	---	1614AN-AL30	DBA74-300	1674AN-SS30
1½"	2"	FFKM	210	DBA66-150	---	1616AN-AL15	DBA76-150	1676AN-SS15
2"	2½"	FFKM	150	DBA66-200	---	1616AN-AL20	DBA76-200	1676AN-SS20
3"	4"	FFKM	120	DBA66-300	---	1616AN-AL30	DBA76-300	1676AN-SS30
1½"	2"	PTFE encapsulated FKM	210	DBA67-150	---	1617AN-AL15	DBA77-150	1677AN-SS15
2"	2½"	PTFE encapsulated FKM	150	DBA67-200	---	1617AN-AL20	DBA77-200	1677AN-SS20
3"	4"	PTFE encapsulated FKM	120	DBA67-300	---	1617AN-AL30	DBA77-300	1677AN-SS30
2"	2½"	FKM-GFLT	150	---	---	---	DBA78-200	---
3"	4"	FKM-B	120	DBA69-300	---	1619AN-AL30	DBA79-300	1679AN-SS30

² Stainless steel corrosion resistance is comparable to 304 stainless steel.

See pages 134-135 for repair kits and replacement parts.

Product instruction sheets and technical data can be viewed on our website at canada.dixonvalve.com.

Dry Disconnects

Jump Size Female NPT Adapters

Female NPT Size	Adapter Size	Dry Disconnect Body Size	Seal Material	Max PSI @ 70°F (21°C)	Zinc/Aluminum Part #	Competitor Part #
2"	2"	1½"	Buna	150	DBA11-1520	-
2"	2"	1½"	FKM	150	DBA12-1520	-

See pages 134 for replacement parts.



DBA12-1520

Female NPS Vapor Adapter

Female NPSM Size	Adapter Size	Dry Disconnect Body Size	Seal Material	Max PSI @ 70°F (21°C)	Stainless Steel Part #	Competitor Part #
3"	2½"	2"	PTFE	150	DBAV73-2030	2173AVN

See page 136 for replacement parts.



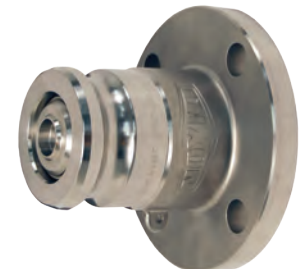
DBAV73-2030

150# Flange Adapters

Flange Size	Adapter Size	Dry Disconnect Body Size	Seal Material	Max PSI @ 70°F (21°C)	Stainless Steel Part #	Competitor Part #
2"	2"	1½"	Buna	150	DBAF71-1520	1671ANF-SS15
2"	2½"	2"	Buna	150	DBAF71-200	1671ANF-SS20
3"	4"	3"	Buna	120	DBAF71-300	1671ANF-SS30
2"	2"	1½"	FKM	150	DBAF72-1520	1672ANF-SS15
2"	2½"	2"	FKM	150	DBAF72-200	1672ANF-SS20
3"	4"	3"	FKM	120	DBAF72-300	1672ANF-SS30
2"	2"	1½"	PTFE encapsulated silicone	150	DBAF73-1520	1673ANF-SS15
2"	2½"	2"	PTFE encapsulated silicone	150	DBAF73-200	1673ANF-SS20
3"	4"	3"	PTFE encapsulated silicone	120	DBAF73-300	1673ANF-SS30
2"	2"	1½"	EPDM	150	DBAF74-1520	1674ANF-SS15
2"	2½"	2"	EPDM	150	DBAF74-200	1674ANF-SS20
3"	4"	3"	EPDM	120	DBAF74-300	1674ANF-SS30
2"	2"	1½"	FFKM	150	DBAF76-1520	1676ANF-SS15
2"	2½"	2"	FFKM	150	DBAF76-200	1676ANF-SS20
3"	4"	3"	FFKM	120	DBAF76-300	1676ANF-SS30
2"	2½"	2"	FKM-GFLT	150	DBAF78-200	---

Note: Stainless steel corrosion resistance is comparable to 304 stainless steel.

See page 137 for replacement parts.



DBAF72-200

Product instruction sheets and technical data can be viewed on our website at canada.dixonvalve.com

Dry Disconnects

Cam and Groove Style Dry Disconnect Couplings



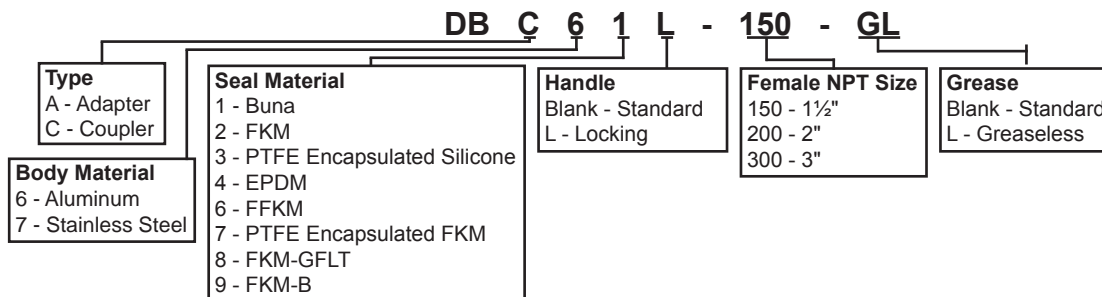
DBC61-150



DBC61-300

Female NPT Couplers

Female NPT Size	Coupler Size	Seal Material	Max PSI @ 70°F (21°C)	Aluminum Part #	Competitor part # (New & Old)	Stainless Steel Part #	Competitor Part # (New & Old)
1½"	2"	Buna	210	DBC61-150	1711DL-AL15 / 1761D-AL15	DBC71-150	1771DL-SS15 / 1771D-SS15
2"	2½"	Buna	150	DBC61-200	1711DL-AL20 / 1761D-AL20	DBC71-200	1771DL-SS20 / 1771D-SS20
3"	4"	Buna	120	DBC61-300	1711DL-AL30 / 1761D-AL30	DBC71-300	1771DL-SS30 / 1771D-SS30
1½"	2"	FKM	210	DBC62-150	1712DL-AL15 / 1762D-AL15	DBC72-150	1772DL-SS15 / 1772D-SS15
2"	2½"	FKM	150	DBC62-200	1712DL-AL20 / 1762D-AL20	DBC72-200	1772DL-SS20 / 1772D-SS20
3"	4"	FKM	120	DBC62-300	1712DL-AL30 / 1762D-AL30	DBC72-300	1772DL-SS30 / 1772D-SS30
1½"	2"	PTFE encapsulated silicone	210	DBC63-150	1713DL-AL15 / 1763D-AL15	DBC73-150	1773DL-SS15 / 1773D-SS15
2"	2½"	PTFE encapsulated silicone	150	DBC63-200	1713DL-AL20 / 1763D-AL20	DBC73-200	1773DL-SS20 / 1773D-SS20
3"	4"	PTFE encapsulated silicone	120	DBC63-300	1713DL-AL30 / 1763D-AL30	DBC73-300	1773DL-SS30 / 1773D-SS30
1½"	2"	(EPDM)	210	DBC64-150	1714DL-AL15 / 1764D-AL15	DBC74-150	1774DL-SS15 / 1774D-SS15
2"	2½"	(EPDM)	150	DBC64-200	1714DL-AL20 / 1764D-AL20	DBC74-200	1774DL-SS20 / 1774D-SS20
3"	4"	(EPDM)	120	DBC64-300	1714DL-AL30 / 1764D-AL30	DBC74-300	1774DL-SS30 / 1774D-SS30
1½"	2"	FFKM	210	DBC66-150	1716DL-AL15 / 1766D-AL15	DBC76-150	1776DL-SS15 / 1776D-SS15
2"	2½"	FFKM	150	DBC66-200	1716DL-AL20 / 1766D-AL20	DBC76-200	1776DL-SS20 / 1776D-SS20
3"	4"	FFKM	120	DBC66-300	1716DL-AL30 / 1766D-AL30	DBC76-300	1776DL-SS30 / 1776D-SS30
1½"	2"	PTFE encapsulated FKM	210	DBC67-150	1717DL-AL15 / 1767D-AL15	DBC77-150	1777DL-SS15 / 1777D-SS15
2"	2½"	PTFE encapsulated FKM	150	DBC67-200	1717DL-AL20 / 1767D-AL20	DBC77-200	1777DL-SS20 / 1777D-SS20
3"	4"	PTFE encapsulated FKM	120	DBC67-300	1717DL-AL30 / 1767D-AL30	DBC77-300	1777DL-SS30 / 1777D-SS30
2"	2½"	FKM-GFLT	150	-	-	DBC78-200	-
3"	4"	FKM-B	120	DBC69-300	1719DL-AL30 / 1769D-AL30	DBC79-300	1779DL-SS30 / 1779D-SS30



Greaseless Female NPT Couplers

Female NPT Size	Coupler Size	Seal Material	Max PSI @ 70°F (21°C)	Stainless Steel Part #	Competitor Part # (New and Old)
1½"	2"	PTFE Encapsulated FKM	210	DBC77-150-GL	1777DL-SS15-GL / 177D-SS15-GL
2"	2½"	PTFE Encapsulated FKM	150	DBC77-200-GL	1777DL-SS20-GL / 177D-SS20-GL

Note: Stainless steel corrosion resistance is comparable to 304 stainless steel.

Female NPT Swivel Couplers



DBS61-200

Female NPT Size	Coupler Size	Seal Material	Max PSI @ 70°F (21°C)	Aluminum Part #	Competitor Part # (New and Old)
2"	2½"	Buna	150	DBS61-200	1711ESL-AL20 / 1711ES-0200
2"	2½"	FKM	150	DBS62-200	1712ESL-AL20 / 1712ES-0200
2"	2½"	PTFE encapsulated silicone	150	DBS63-200	-

See pages 138-148 for repair kits and replacement parts.

Product instruction sheets and technical data can be viewed on our website at canada.dixonvalve.com.

Dry Disconnects

Valve Handle Locking Kits

Part #	Description
DBCL-200	valve handle locking kit for 1½" & 2" couplers
DBCL-300	valve handle locking kit for 3" couplers



DBCL-200

Cam and Groove Style Dry Disconnect D2C Couplings

Application:	Dry disconnects help prevent spillage from normal or accidental disconnection of the connection. D2C series couplings are similar to the DBC series, as shown on page 23, except that the D2C do not have an internal seal cylinder, therefore the couplings do not automatically close. The D2C couplers are suited to vapor recovery, suction pump and applications where it is necessary to easily drain the hose or piping for cleaning. They can also be used when product retention in the hose or pipe is desired, but environmental damage from an open coupling is not a threat.
Standards:	Use with Dixon Bayco DBA series adapters. Manufactured to interchange with other cam and groove type dry disconnect couplings.
Materials:	316 Stainless steel bodies with Buna ¹ , FKM ¹ , FKM-B ¹ , PTFE encapsulated silicone ¹ , EPT (EPDM) ¹ , FFKM, PTFE encapsulated FKM seals; see part number chart below for full seal selection. Contact Dixon® at 877-963-4966 for working pressures at temperatures other than 70°F (21°C) and for chemical compatibility, size and material selection.
Features & Benefits:	<ul style="list-style-type: none"> • Helps eliminate the possibility of costly spills. • Compatible with most other brands of cam and groove style dry disconnects. • Special configurations can be designed for your application. • female NPT • Couplers; shown below are used with the DBA adapters shown on pages 21 and 22. • Use standard cam and groove dust plugs, sized one size larger than the dry disconnect size, see chart below for dust plug size selection. • Stainless steel valve handle locking kit included on valve handle. • EZ Boss-lock™ automatic locking cam arms provide added security from accidental opening due to cam arms getting snagged or vibration. Very easy to use; Close the arms and they lock; to open simply lift the lever (possible even with gloves on).

¹ Dependent upon part #. See part number list below for more details.

Female NPT Couplers

Female NPT Size	Coupler Size	Seal Material	Max PSI @ 70°F (21°C)	Stainless Steel Part #	Competitor Part #
1½"	2"	Buna	210	D2C71-150	2271D-SS15
2"	2½"	Buna	150	D2C71-200	2271D-SS20
1½"	2"	FKM	210	D2C72-150	2272D-SS15
2"	2½"	FKM	150	D2C72-200	2272D-SS20
1½"	2"	PTFE encapsulated silicone	210	D2C73-150	2273D-SS15
2"	2½"	PTFE encapsulated silicone	150	D2C73-200	2273D-SS20
1½"	2"	EPDM	210	D2C74-150	2274D-SS15
2"	2½"	EPDM	150	D2C74-200	2274D-SS20



D2C71-150



D2C71-200

See page 148 for repair kits and replacement parts.

Product instruction sheets and technical data can be viewed on our website at canada.dixonvalve.com.

Dry Disconnects

Bayonet Style Dry Disconnect Couplings

Petroleum

Application:	Bayonet dry disconnect fittings are ideally suited for the spill-less transfer of petroleum products (such as fuel oil, lube oil blending and tank truck delivery). The design of the Bayco bayonet dry disconnect system ensures a spill-free connection; fluid cannot flow until couplings are connected together and the valve is opened. The coupling then cannot be disconnected until the valve handle is closed.
Standards:	Manufactured to interchange with other brands of bayonet type dry disconnect couplings. Canadian registration number #OH14055, all provinces.
Materials:	Adapters have anodized aluminum, brass or stainless steel bodies with either anodized aluminum or brass poppet valves. Couplers are aluminum. Adapters and couplers are available with either Buna or FKM seals. Valves are dependent upon part #, see part number list below for more details.
Features & Benefits:	<ul style="list-style-type: none"> • Helps eliminate the possibility of costly spills. • Compatible with most other brands of bayonet style dry disconnects. • female NPT • Rubber dust caps and plugs with stainless steel chains are available to protect the adapters and couplers from contamination and damage. • Maximum operating pressure: 85 PSI at 75°F; for pressure ratings at other temperatures contact Dixon®.



BA32-200



BA62-300

Female NPT Adapters

Female NPT Size	Seal Material	Description	Part #	Competitors Part #	Rubber Dust Cap Part #
2"	Buna	stainless steel body with brass poppet valve	BA31-200	J72A-BBN0-B / J72A-ABN0-B	BAC-200
2"	FKM	stainless steel body with brass poppet valve	BA32-200	J72A-BVN0-B / J72A-AVN0-B	BAC-200
3"	Buna	brass body and poppet valve	BA31-300	J73A-BBN0-B	BAC-300
3"	FKM	brass body and poppet valve	BA32-300	J73A-BVN0-B	BAC-300
3"	Buna	anodized aluminum body and poppet valve	BA61-300	J73A-ABN0-B	BAC-300
3"	FKM	anodized aluminum body and poppet valve	BA62-300	J73A-AVN0-B	BAC-300

See page 149 for replacement parts.



BC61-200



BSS61-300



BS61-300

Female NPT Couplers

Female NPT Size	Seal Material	Description	Part #	Competitors Part #	Rubber Dust Plug Part #
2"	Buna	anodized aluminum body with straight non-swiveling NPT connection	BC61-200	J72C-ABNO-B	BCP-200
2"	FKM	anodized aluminum body with straight non-swiveling NPT connection	BC62-200	J72C-AVNO-B	BCP-200
2"	Buna	aluminum body with straight swiveling NPT connection	BSS61-200	J72C-ABN1-B	BCP-200
2"	FKM	aluminum body with straight swiveling NPT connection	BSS62-200	J72C-AVN1-B	BCP-200
2"	Buna	aluminum body with 90° swiveling NPT connection	BS61-200	J72C-ABN2-B	BCP-200
2"	FKM	aluminum body with 90° swiveling NPT connection	BS62-200	J72C-AVN2-B	BCP-200
3"	Buna	aluminum body with straight swiveling NPT connection	BSS61-300	J73C-ABN1-B	BCP-300
3"	FKM	aluminum body with straight swiveling NPT connection	BSS62-300	J73C-AVN1-B	BCP-300
3"	Buna	aluminum body with 90° swiveling NPT connection	BS61-300	J73C-ABN2-B	BCP-300
3"	FKM	aluminum body with 90° swiveling NPT connection	BS62-300	J73C-AVN2-B	BCP-300

See pages 150-152 for repair kits and replacement parts.

Product instruction sheets and technical data can be viewed on our website at canada.dixonvalve.com.

Dry Disconnects

Bayonet Style Dry Disconnect Caps and Plugs

Application:	Bayonet dry disconnect caps and plugs keep dirt, debris and water out of couplers, preventing build up on the sealing surface that will cause seals to fail prematurely.
Materials:	The caps have a stainless steel chain to secure them to the adapter chain lug. The plugs have a stainless steel chain to secure them to the coupler.
Features & Benefits:	<ul style="list-style-type: none"> • simple to use • low cost • durable and flexible rubber • prevents contamination of product



BAC-300



BCP-300

Size	Description	Part #
2"	coupler plug	<i>BCP-200</i>
3"	coupler plug	<i>BCP-300</i>
2"	adapter cap	<i>BAC-200</i>
3"	adapter cap	<i>BAC-300</i>


Petroleum

API Couplers

API Couplers



¹ Normal wear & tear items (including seals) not covered

Application:	API couplers are used at the petroleum loading rack for bottom loading of petroleum tankers. They are mounted to the rack loading arm using the built-in 4" TTMA flange connection. When the empty petroleum tanker pulls into the loading rack to load, the API couplers are connected to the API valves on the tanker. The connection interface consists of a poppet and a plunger, which ensures a positive, spill-free connection.
Standards:	Manufactured to American Petroleum Institute standard API RP-1004, which allows for positive connection to API valves (such as the Dixon Bayco 5204 series API valves).
Materials:	356 T6 aluminum anodized hard-coat body, aluminum handle, stainless steel hardware, Buna, FKM-B and FKM GFLT seals.
Features & Benefits:	<ul style="list-style-type: none"> • Modular design allows various face seal combinations and very easy no-special-tools-required maintenance. • Shaft seals can be changed without removing coupler from loading arm. • Locking 5 cam design for easy alignment and tight connection, and safety interlock to help ensure the coupler is properly attached before the valve opens. • 5300BCL is for use in railcar applications with investment-cast stainless steel locking handle. • Ball-end handle for easy, comfortable operation. • Choice of either a bonded nose seal, which offers a long life and cannot be washed out, or a replaceable nose seal, which allows quick seal replacement without removal from the loading arm. • Link, shaft, pin and crank are hardened 17-4PH stainless steel. • Maximum working pressure 150 PSI to include 5300, 5300B, 5300BC, 5300BCL. 5300G maximum working pressure 100 PSI. Maximum flow 1000 GPM, (3785 LPM). Pressure drop of only 3 to 4 PSI. 5400 series maximum working pressure 75 PSI. • FKM-B: -10°F to 400°F (-23°C to 204°C), FKM-GFLT: -20°F to 400°F (-28°C to 204°C), Buna seals: -20°F to 250°F (-28°C to 121°C) • Biofuel compatible up to E100 (100% Ethanol) and B100 (100% Biodiesel) dependent upon part #. See part number list below for more details. For detailed fuel compatibility, refer to page 4. • FKM - Brown dot, FKM B - Yellow dot, FKM GFLT - Green dot 

API Coupler with Bonded Nose Seal



API Coupler

Part #	Seal Material	Fuel Compatibility
5300	Buna seals	Gasoline and diesel, up to E100 and B20 biofuels
5300B	FKM-B	
5300G	FKM GFLT	
5300GC	FKM GFLT	Gasoline and diesel, up to E100 and B100 biofuels, crude oil
5300BC	FKM-B	
5300BCL	FKM-B	

API Coupler with Replaceable Nose Seal



5354P1

Part #	Seal Material	Fuel Compatibility
5400	Buna seals	Gasoline and diesel, up to E100 and B20 biofuels
5400B	FKM-B	
5400G	FKM GFLT	
Part #	Description	
5354P1	plug for API rack couplers	
5204H	rack coupler hanger	

See pages 102-104 for repair kits and replacement parts.
See page 36 for TTMA flange gaskets.

Groove Connections

Aluminum Groove Clamps

Features & Benefits:

- Lightweight yet rugged. Unlike steel groove clamps that secure the pipe ends with high clamping force against the tubing/piping walls, the Dixon® aluminum bolted clamp takes the full-bolt force and locks into the groove of the tube/pipe, preventing distortion of the tube/pipe diameter.
- Precision-forged to provide an exact fit and great appearance.
- Lock nuts prevent loosening in applications with vibration.
- temperature ratings FKM-B: **20°F to 300°F (-6.7°C to 149°C)**, Baylast™ and Buna: **-20°F to 180°F (-28.9°C to 82.2°C)**



DBV-BN400

Size	Seal	Part #	Max. PSI	Approx. Weight Lbs.	Bolt Torque ¹	Fuel Compatibility
2"	Buna	DBV-BN200	400	0.8	20 ft lbs	Gasoline and diesel only
2"	FKM-B	DBV-VB200	400	0.8	20 ft lbs	Gasoline and diesel, up to E100 & B100 biofuels
2"	Baylast™	DBV-BL200	400	0.8	20 ft lbs	
3"	Buna	DBV-BN300	170	1.1	20 ft lbs	Gasoline and diesel only
3"	FKM-B	DBV-VB300	170	1.1	20 ft lbs	Gasoline and diesel, up to E100 & B100 biofuels
3"	Baylast™	DBV-BL300	170	1.1	20 ft lbs	
4"	Buna	DBV-BN400	120	1.5	20 ft lbs	Gasoline and diesel only
4"	FKM-B	DBV-VB400	120	1.5	20 ft lbs	Gasoline and diesel, up to E100 & B100 biofuels
4"	Baylast™	DBV-BL400	120	1.5	20 ft lbs	



¹ Bolts must be tightened evenly to prevent gasket pinching and clamp breaking. DO NOT tighten one side then the other. Over-torquing will not improve sealing and may result in failure of the clamps. DO NOT torque bolts over 30 ft-lbs.

Groove x Groove Painted Iron Clamps with Baylast™ Gasket

Features and Benefits:

- painted red
- Baylast™ rated for Biodiesel, Ethanol, diesel, gas and ULSD
- groove x groove

Size	Seal	Maximum PSI	Part #
2"	Baylast™	500	L02BL
3"	Baylast™	300	L03BL
4"	Baylast™	300	L04BL



L02BL

Replacement Clamp Gaskets

Clamp Size	Part #	Seal	Fuel Compatibility
2"	G200T	Buna (one orange stripe)	Gasoline and diesel only
3"	G300T	Buna (one orange stripe)	
4"	G400T	Buna (one orange stripe)	
2"	G200VB	FKM-B (two red stripes)	Gasoline and diesel, up to E100 & B100 biofuels
3"	G300VB	FKM-B (two red stripes)	
4"	G400VB	FKM-B (two red stripes)	
2"	G200BL	Baylast™ (two orange stripes)	
3"	G300BL	Baylast™ (two orange stripes)	
4"	G400BL	Baylast™ (two orange stripes)	



G400T



Biofuel Compatible. See fuel compatibility chart on page 28 for more information.

Pipe Nipples & Fuel Nozzles

Grooved x NPT Pipe Nipples



Size	Length E to E	Steel Part #	Fuel Compatibility
2"	4"	A712	Gasoline and diesel, up to E100 and B100 biofuels
2½"	4"	A7125	
3"	4"	A713	
4"	6"	A714	
5"	6"	A715	
6"	6"	A716	

Grooved x Weld Pipe Nipples



Size	Length E to E	Aluminum Part #	Carbon Steel Part #	Fuel Compatibility
2"	2"	AVN2000-200	VN2000-200	Gasoline and diesel, up to E100 and B100 biofuels
2½"	2"	AVN2500-200	VN2500-200	
3"	2"	AVN3000-200	VN3000-200	
4"	2"	AVN4000-200	VN4000-200	



Biofuel Compatible. See fuel compatibility chart on page 54 for more information.

Farm and Consumer Nozzles



gasoline



diesel

Features & Benefits:

- Micro-touch valve provides smooth operation and exceptional flow control.
- Pure PTFE stem packing eliminates leaks.
- Heavy-duty, strong, secure hook makes it easy to hang the nozzle on the pump.
- Roto-matic latch pin provides positive auto shut-off.
- smartguard snap-on scuff guard
- with trigger hold-open clip
- non Underwriters Listed nozzle

Female NPT Inlet	Spout Size	Intended Service	Approximate Flow Rate At 20 PSI (GPM)	Approximate Weight Lbs.	Scuff Guard Color	Part #
¾"	13/16"	gasoline	18	2½	black	DN7UOBF
¾"	13/16"	gasoline	18	2½	black	DN7UOBF-NC
¾"	13/16"	gasoline	18	2½	black	DN7UOBF-NPNF
¾"	15/16"	diesel	23	2½	green	DN7LOBF
¾"	15/16"	diesel	23	2½	green	DN7LOBF-NC
¾"	15/16"	diesel	23	2½	green	DN7LOBF-NPNF

Product literature and technical data can be viewed on our website at canada.dixonvalve.com

Fuel Nozzles

Big Mouth™ Diesel Nozzles

Features & Benefits:

- This nozzle is not to be used with gravity flow tanks.
- lightweight but strong
- Micro-touch valve provides smooth operation and exceptional flow control.
- Roto-matic latch pin provides positive auto shut-off.
- Pure PTFE packing eliminates stem leaks.
- super-tough nylon hand guard
- Snap-on handle cover makes changing scuff guards easy.
- non Underwriters Listed nozzle



Petroleum

Female NPT Inlet	Spout Size	Intended Service	Approximate Flow Rate At 20 PSI (GPM)	Approximate Weight Lbs	Scuff Guard Color	Part #
1"	1 1/8"	diesel	27	3	yellow	DFN100
1"	1 1/8"	diesel	27	3	yellow	DFN100-NC
1"	1 1/8"	diesel	27	3	yellow	DFN100-NPNF
1"	1 1/8"	diesel	27	3	yellow	DFN100F
1"	1 1/8"	diesel	27	3	yellow	DFN100F-NC
1"	1 1/8"	diesel	27	3	yellow	DFN100F-NPNF

Fuel Master™ Diesel Nozzles

Features & Benefits:

- high-flow capacity
- Micro-touch valve provides smooth operation and flow control.
- Roto-matic latch pin provides positive auto shut-off.
- Pure PTFE packing eliminates stem leaks.
- super-tough nylon hand guard
- Easy to change 'locknut style' spout assembly.
- with trigger hold-open clip
- non Underwriters Listed nozzle



DFN100HF



DFN100SF

Female NPT Inlet	Spout Size	Intended Service	Approximate Flow Rate At 20 PSI (GPM)	Approximate Weight Lbs.	Scuff Guard Color	Part #
1"	1 3/16"	diesel	35	3 1/2	green	DFN100HF
1"	1 3/16"	diesel	35	3 1/2	green	DFN100HF-NC
1"	1 3/16"	diesel	35	3 1/2	green	DFN100HF-NPNF
1"	1 3/16"	diesel	45	3 1/2	green	DFN100SF
1"	1 3/16"	diesel	45	3 1/2	green	DFN100SF-NC
1"	1 3/16"	diesel	45	3 1/2	green	DFN100SF-NPNF

DEF Automatic Shutoff Nozzles

Features & Benefits:

- Designed for diesel exhaust fluid, aluminum body double-coated inside and out with PTFE and baked on at 500°F.
- spout: stainless steel
- wetted parts: stainless steel, acetal, PTFE
- seals are FKM-A



BSP Inlet	Spout Size	Intended Service	Approximate Flow Rate At 20 PSI (GPM)	Approximate Weight Lbs.	Scuff Guard Color	Part #
3/4"	1 3/16"	diesel	30	3 1/2	blue	DEFN075

Product literature and technical data can be viewed on our website at canada.dixonvalve.com

Fuel Nozzles

Fueler 100™ Automatic Diesel Nozzles

Features & Benefits:

- good flow rating of **75 GPM (at 30 PSI)**.
- lightweight Tenzaloy aluminum casting
- Tough, reliable and easy to operate automatic nozzle for fueling trucks, buses, off-road equipment and fuel oil delivery.
- replaces 1124D and 1144D

Female NPT Inlet	Spout Size	Intended Service	Approximate Flow Rate At 30 PSI (GPM)	Approximate Weight Lbs	Part #
1¼"	1-3/8"	diesel	75	6⅞	DNOG5-NL¹
1¼"	1-3/8"	diesel	75	6⅞	DNOG5
1½"	1-3/8"	diesel	75	6⅞	DNOG6

¹ The DNOG5-NL is a 1¼" nozzle without the locking handle



Replacement Nozzles

Replacement for	Description	Part #
DNOG6	spout assembly with O-ring for fueler; nut not included	SF1N
DNOG6	nut for DNOG6	NUT-106

Pressure Nozzles for Bulk Delivery

Features & Benefits:

- High-flow design, 1½" nozzle (112D) provides **100 GPM** flow at approximately **10 PSI**.
- Easy-opening dash pot design with shockless closing.
- Available with or without an aluminum spout (brass spouts optional).
- detachable and replaceable trigger ratchet



112D

Female NPT Inlet	Outlet Type	Part #
1¼"	1¼" aluminum spout	114D
1¼"	1¼" female NPT	114DNS
1½"	1½" aluminum spout	112D
1½"	1½" female NPT	112DNS

Replacement Spouts

Male NPT Size	Description	Part #
1¼"	replacement aluminum spout	1143A
1¼"	optional brass spout	1143B
1½"	replacement aluminum spout	1125A
Female NPT inlet: 1½", outlet type: 1¼"	1½" spout crimped to 1¼"	1125A-125NPT
1½"	optional brass spout	1125B

See pages 154-155 for repair kits and replacement parts.



112DNS

Large-Capacity Low-Pressure Gravity Nozzles



Female NPT Inlet	Outlet Type	Part #
1¼"	1¼" aluminum spout	1250-94

See page 157 for repair kits and replacement parts.

Product instruction sheets and technical data can be viewed on our website at canada.dixonvalve.com

Fuel Nozzles

Ball Nozzles for Bulk Delivery

Application:	Ball nozzles have a very high flow rate and low pressure drop and are ideal for bulk oil and fuel deliveries they are basically a full-port ball valve with an inlet swivel and outlet spout.
Standards:	Manufactured to connect to NPT threaded hose connections.
Materials:	Black anodized aluminum main body with aluminum spout, polished stainless steel handle and latch, Bayloy inlet swivel, hardened carbon steel swivel ball race, through hardened chrome steel ball bearings, Buna and PTFE seals, acetal valve seat and stainless steel valve ball. Please note: all fuels contain additives, which vary by fuel brand and season. Please contact Dixon® with a list of all additives, and we will advise of any known compatibility issues.
Features & Benefits:	<ul style="list-style-type: none"> • Full 1" flow path through the ball is computer-designed and higher than any known competitors, which results in very low pressure drop, permitting higher flow rates at lower pressure and reducing foaming or product backups. • Unique swivel design permits leak-free service, even at temperatures as low as -40°F (-40°C) at 100 PSI. • Comes standard with 3 PSI check valve, helps ensure residual fuels within the delivery hose and nozzle are contained (optional 5 PSI check valve kit is available; order field replaceable kit BL-RK11 for 1¼ and 1½" ball nozzles and kit BL-RK112 for 2" Super Ball nozzles). • Available with field replaceable outlet spout or quick-fill swivel nut.

Petroleum



BL072

BL072NS

BL062/BL064

BL920

Female NPT Swivel Inlet	Outlet Type	Part #
1¼"	quick-fill nut	BL062
1¼"	1¼" aluminum spout	BL066
1¼"	1¼" female NPT	BL066NS
1½"	1¼" aluminum spout	BL068
1½"	1¼" female NPT	BL068NS
1½"	quick-fill nut	BL064
1½"	1½" aluminum spout	BL072
1½"	1½" female NPT	BL072NS
1½"	2" aluminum spout	BL918
2"	1½" aluminum spout	BL919
2"	2" aluminum spout	BL920

Replacement Spouts and Quick-Fill Swivel Nuts

Male NPT Size	Description	Part #
1¼"	replacement aluminum spout	1143A
	replacement brass spout	BLS125
	bronze quick-fill nut adapter for BL066NS and BL068NS	BL002
1½"	replacement aluminum spout	1125A
	replacement brass spout	BLS150
	bronze quick-fill nut adapter for BL072NS	BL001
2"	replacement aluminum spout	391137
	replacement bronze quick-fill nut adapter for BL062 and BL064	BL005



BL002

See pages 160-163 for repair kits and replacement parts.
 Product instruction sheets and technical data can be viewed on our website at canada.dixonvalve.com.

Fuel Nozzles

Standard Low-Pressure Gravity Utility Nozzles

Application:	These delivery nozzles are manual operation (do not have an automatic flow shut off), ideally suited for low pressures (maximum 25 PSI) such as agricultural and 12-volt truck utility pumps, or gravity flow applications.
Standards:	Manufactured to connect to NPT threaded hose connections.
Materials:	die-cast zinc body, plated steel trigger and aluminum spout, Buna seals Note: All fuels contain additives which can vary by fuel brand and season. Contact Dixon® with a list of all additives, and we will advise of any known compatibility issues.
Features & Benefits:	<ul style="list-style-type: none"> • rugged design • Good flow rating, provides 95 GPM flow at approximately 20 PSI. • Choice of ¾" or 1" inlets and a variety of outlets and spouts.



900B

Female NPT Inlet	Outlet Type	Part #
¾" ¹	¾" straight spout	900S34
¾" ¹	¾" bent spout	900B34
1"	1" UNS female thread (nozzle body only)	900
1"	¾" straight spout	900W34S
1"	¾" bent spout	900W34B
1"	1" straight spout	900S
1"	1" bent spout	900B

¹ Nozzles with ¾" female NPT inlet, use a steel bushing to achieve ¾" female NPT inlet.

Replacement Spouts



875-5

Description	Part #
¾" replacement straight spout	234-80-4
¾" replacement bent spout	234-80-5
1" replacement straight spout	875-4
1" replacement bent spout	875-5

Product instruction sheets and technical data can be viewed on our website at canada.dixonvalve.com

Nozzles & Swivels

Aircraft Overwing Nozzles

Application:	Aircraft overwing nozzles are manual operation (do not have an automatic flow shut off); they are used for fueling aircraft that have fuel tank access from the top of the wing.
Standards:	Manufactured to connect to NPT threaded hose connections.
Materials:	aluminum body, bronze trigger, aluminum spout, Buna seals, plastic wing guard and spout cap, stainless steel mesh screen Note: All fuels contain additives which can vary by fuel brand and season. Contact Dixon® with a list of all additives, and we will advise of any known compatibility issues.
Features & Benefits:	<ul style="list-style-type: none"> • High-flow design provides approximately 60 GPM at 20 PSI. • Easy-opening dash pot design with shockless closing. • Plastic wing guard protects the aircraft wing during fueling. • detachable and replaceable trigger ratchet • Aluminum spout has a plastic cap with spring cord to prevent drips and scratches. • Nozzle includes a fine mesh stainless steel screen filter. • screw attachment for grounding cable

Female NPT Inlet	Outlet type	Part #
1¼"	1" aluminum spout	114DAVR
1¼"	1¼" aluminum spout	114D-AV
1½"	1¼" aluminum spout	114D-AV-06ASM

See page 156 for repair kits and replacement parts.



114DAV-06ASM

Male x Female NPT Nozzle Swivels

Standards:	Manufactured to connect to NPT threaded hose and nozzle connections.
Materials:	¾" and 1" sizes, aluminum body, brass hex nut, FKM / Buna seals, nylon cord retainer. 1¼" - 2" sizes, Bayloy body, hardened carbon steel swivel ball race, through hardened chrome steel ball bearings, Buna and PTFE seals Note: All fuels contain additives which can vary by fuel brand and season. Contact Dixon® with a list of all additives, and we will advise of any known compatibility issues.
Features & Benefits:	150 PSI maximum rating

Size	Description	Part #
¾"	male NPT x female NPT	DAWS34
1"	male NPT x female NPT	DAWS10
1¼"	male NPT x female NPT	SWMF125
1½"	male NPT x female NPT	SWMF150
2"	male NPT x female NPT	SWMF200



SWMF150

Male NPT x Hose Shank Swivels

Size	Description	Part #
1½"	male NPT x hose shank, Buna-N seal	1565U

See page 157 for repair kits and replacement parts.



1565U

Product instruction sheets and technical data can be viewed on our website at canada.dixonvalve.com

Fuel Swivels

Breakaways

Application:	Provides breakaway protection for high-capacity fueling operations (such as truck and bus terminals, mining, off-road fueling and fuel oil delivery).
Materials:	aluminum body
Features & Benefits:	<ul style="list-style-type: none"> • Buna seals • Unique ball valves seal both ends when separated. • Design provides consistent and reliable performance. • lightweight • Easy to repair. • ¾" is Underwriter's Listed.



DAB34

Size	Number Of Brass Break Rings	Separation Force (Lbs)	Part #
¾"	2	325	DAB34 (UL)
1"	2	325	DAB1

Application:	Provides breakaway protection for high-capacity fueling operations (such as truck and bus terminals, mining, off-road fueling and fuel oil delivery).
Materials:	nickel-plated aluminum body
Features & Benefits:	<ul style="list-style-type: none"> • FKM/Buna seals • check valve - PTFE ball seals both ends when separated



DAB15

Size	Number Of Brass Break Rings	Separation Force (Lbs.)	Part #
1¼"	4	600	DAB14
1½"	4	600	DAB15
2"	6	800	DAB2

Multi-Plane Hose Swivels

Materials:	<ul style="list-style-type: none"> • body: machined aluminum casting; male end: machined brass bar stock; sleeve: machined brass bar stock
Features & Benefits:	<ul style="list-style-type: none"> • Brass male end will not gall in nozzle castings. • Dual O-rings seal with all fuels. • Machined brass sleeve gives smooth seal surface - no leaks. • Internal nylon retainer cord secures firmly but allows free rotation.



Size	Part #
¾" male NPT x ¾" female NPT	DAC3434
1" male NPT x ¾" female NPT	DAC1034

Product instruction sheets and technical data can be viewed on our website at canada.dixonvalve.com

Fuel Tank Accessories

Automatic Pressure/Vacuum Relief Caps for Stationary Tanks

Petroleum

Application:	These caps are threaded into the top of stationary (non-mobile) above-ground fuel storage tanks, where they serve two purposes: a) They can be used as a thread-in and lockable fuel filler cap; b) They can protect the tank from expansion or implosion. The internal relief valve is normally closed, but opens to relieve internal pressure or vacuum.
Standards:	Manufactured to thread into both NPS and NPT tank openings.
Materials:	die-cast zinc body, brass screen
Features & Benefits:	<ul style="list-style-type: none"> • Normally closed vent stops fuel evaporation and airborne contaminants. • Protects tank from pressure or vacuum build-up. Relieves pressure at 2 PSI and vacuum at 0.7 HG at a rate of 20 SCFM. • Can be used as a fuel filler cap. • Pad-lockable to prevent fuel theft and tampering.

Male NPT	Part #
2"	2000L
2½"	2500L

Note: Not intended for use on mobile tanks. To ensure that the cap can properly vent, the vent cap must be kept free of any debris (i.e. dirt, snow, ice, rags etc.).



2500L

Standard Vent Caps for Stationary Tanks

Features & Benefits:	<ul style="list-style-type: none"> • always open vent • Protects tank from pressure or vacuum build-up. • Can be used as a fuel filler cap.
---------------------------------	--

Male NPS	Part #
2½"	2500SFV

Note: Not intended for use on mobile tanks. To ensure that the cap can properly vent, the vent cap must be kept free of any debris (i.e. dirt, snow, ice, rags etc.).



2500SFV

Automatic Pressure/Vacuum Relief Caps for Mobile Tanks

Features & Benefits:	<ul style="list-style-type: none"> • Normally closed vent stops fuel evaporation and airborne contaminants. • Protects tank from pressure or vacuum build-up. Relieves pressure at 7.5-9 PSI and vacuum at .33 HG. • Can be used as a fuel filler cap. • Pad-lockable to prevent fuel theft and tampering.
---------------------------------	---

Male NPS	Part #
2"	200-PV-9

Note: To ensure that the cap can properly vent, the vent cap must be kept free of any debris i.e. dirt, snow, ice, rags etc.



200-PV-9

Product instruction sheets and technical data can be viewed on our website at canada.dixonvalve.com.

Fuel Tank Accessories

Service Station Fuel Tank Vents

Application:	Service station tank vents are installed on the top of vent pipes from underground or above-ground fuel storage tanks. The vent cap and built-in wire screen are designed to prevent water, snow, ice, debris, insects and animals from entering the fuel tank. These vents are always open to the atmosphere and allow any pressure or vacuum in the tank to vent.
Standards:	Manufactured to mount on 1½", 2" or 3" vapor piping.
Materials:	aluminum body, brass screen and stainless mounting screws
Features & Benefits:	<ul style="list-style-type: none"> • High flow rates protect the fuel storage tank. • Rugged materials do not corrode when exposed to the elements. • Easy to install, slip-on design is secured with included screws.



49

Part #	Description
47-48	for 1½" and 2" vapor stack piping
49	for 3" vapor stack piping

Fuel Tank Suction Deflectors

Application:	Fuel tank suction deflectors are installed on the bottom end of the 2" suction line within the fuel tank. The deflector rests on the bottom of the tank and helps prevent sludge and other debris from being sucked up from the bottom of the tank.
Standards:	Manufactured to thread onto 2" suction piping.
Materials:	aluminum body
Features & Benefits:	<ul style="list-style-type: none"> • Prevents debris from being sucked out of the tank, which may cause fuel contamination and subsequent engine damage. • Easy to install; Simply thread onto the 2" suction line.



Part #	Description
A38	2" suction deflector

Product instruction sheets and technical data can be viewed on our website at canada.dixonvalve.com

Fuel Tanker Overfill Detection

FloTech™ Overfill Detection System



Overfill Detection


All FloTech™ electronics manufactured after January 1, 2015 are covered by our 5-year warranty.

Product instruction sheets and technical data can be viewed on our website at canada.dixonvalve.com

Fuel Tanker Overfill Detection

FloTech™ Overfill Detection Products

Overfill Detection

<p>Application:</p>	<p>The overfill detection system used on petroleum cargo tanks typically consists of a sensor mounted in each tank compartment, an onboard monitor located near the bottom loading valves and an API compatible socket. The overfill system is intended to detect a pending overfill condition inside the cargo tank compartment and signal the loading rack to close the fuel supply control valve, to prevent a product spill. These systems are required by law as part of the bottom loading system and considered a secondary emergency shut-off device. The overfill system is typically triggered when the primary metering system fails to load the cargo tank compartment with the correct volume of product.</p>
<p>Standards:</p>	<p>Manufactured to American Petroleum Institute standard API RP-1004, which allows for drop in interchange ability with other brands.</p>
<p>Materials:</p>	<p>dependent upon the component; see each product section for materials</p>
<p>Features & Benefits:</p>	<ul style="list-style-type: none"> • Knowledge and experienced design: Dixon® electronic staff are seasoned veterans when it comes to overfill systems. Our employees have years of experience in electronics, manufacturing and, most importantly, with in-the-field trouble-shooting of overfill terminals and tanker installations. That is why we have focused on easy, drop-in replacement features with improved probe life, and why we have included heavy-duty hardware made from premium, corrosion resistant materials. • Trouble free probes and sensors: FloTech™ brand probes/sensors do not use epoxy-bonded prisms as a means to seal the prism. Therefore, they are not subject to malfunction due to epoxy/prism interface separation. FloTech™ brand probes/sensors incorporate a double-elastomer design which seals and secures the sensitive optic prism tip. The elastomer seals are flexible allowing thermal expansion and resistance to steam cleaning and petroleum chemical attack. <div data-bbox="678 877 1156 1121" data-label="Diagram"> </div> <ul style="list-style-type: none"> • "Best in Class" technical support: Our goal is to provide the most reliable overfill components and system available on the market today. Over the years the FloTech™ brand has earned a reputation for reliable overfill components compatible with other common systems. Don't take our word on this; ask one of our many customers! • Easy Installation: FloTech™ brand items are shipped with easy to follow installation instructions and manuals (also available online at canada.dixonvalve.com under the Resources menu; select Petroleum and Dry bulk products). If you need a little extra help, call our North American toll-free technical service hotline at 877.582.3569 (or from other parts of the world, dial 001-513-874-8499). In fact, call us with any overfill system questions (regardless of the brand) and we will work with you to help solve the problem. FloTech™ brand components are manufactured to be installed easily, even on other systems. We designed them to be drop-in compatible with API systems being used around the world. • Products in stock, delivered on time: FloTech™ brand products are stocked at Dixon® locations throughout the world. Most orders can be processed and delivered within 24 hours. We know that downtime costs you money so we do everything we can to ensure that you receive your parts when you need them. • A great product with an unparalleled warranty: FloTech™ brand products are covered by a five year limited warranty. The warranty is part of the total system that makes FloTech™ overfill detection the best choice for your operation. See limited warranty on page 169 for details. • Biofuel compatible: up to E100 (100% Ethanol) and B100 (100% Biodiesel).  For detailed fuel compatibility, please refer to the chart shown on page 28. • Probes are rated to 36PSIG per 49 CFR 178.345-5 Temp Range -40°F to 160°F refractive index range 1.37 to 1.60 viscosity less than 1000SSU.

Customer Support
877.582.3569

Product instruction sheets and technical data can be viewed on our website at canada.dixonvalve.com.



Biofuel Compatible. See fuel compatibility chart on page 28 for more information.

Fuel Tanker Overfill Detection

FloTech™ Checkmate Overfill/Retain Plug-n-Play System



Application:	The reason for many overfill system breakdowns is failed or poor wiring connections. The required amperage within the overfill system is so low that any poorly-wired or corroded wiring connections tend to fail (the low current cannot pass through corrosion or poor connections). To remove the possibility of wiring system problems, Dixon® has introduced the FloTech™ Plug-n-Play system; all the wire connections are pre-wired and tested at the factory using high-quality weather-proof cables and plugs. Plug-n-Play system installation takes a fraction of the time to install when compared to conventional systems; Mount all the components and simply plug them all together.
Standards:	American Petroleum Institute standard API RP-1004
Materials:	Dependent upon the component. See each product section for materials.
Features & Benefits:	<ul style="list-style-type: none"> • Pre-wired cables and plugs on sensors, wiring harnesses, onboard monitor and sockets make it simple to install our Plug-n-Play system in much less time than conventional systems. • Secure and weather-tight connections at all times to remove the possibility of poor-wiring connections. Sealed connectors pass IP67 and DIN40050 salt-spray tests. • Easy installation: Literally Plug-n-Play; mount the components and plug them all together. • Biofuel compatible up to E100 (100% Ethanol) and B100 (100% Biodiesel)

Monitors with Integrated Dual Sockets

Features & Benefits:	<ul style="list-style-type: none"> • Integrated Optic and Thermistor dual sockets with onboard monitor all-in-one aluminum case • Takes less space than utilizing separate sockets and monitor • Pre-wired and factory-tested with Plug-n-Play cabling and plugs; eliminates hours of manual crimped wire connections and removes the problems and worries associated with connection problems. • Includes water-tight integrated fuse holder, all stainless steel hardware and terminal blocks prevent corrosion • Built-in configurable high-current relay output for pump or signal control • Color-coded display shows well on trailers • Sockets come standard with FloTech™ unique, guaranteed for life stainless steel wear rings. <p>Available Integrated Options:</p> <ul style="list-style-type: none"> • Top (overfill) only monitoring, or both top (overfill) and bottom (retain) monitoring • Pre-wired ground bolt • Pre-wired pressure sensor which can be used to interlock brakes or vapor vents • Pre-wired Trailer Identification Module • Pre-wired dual male pin power cord
---------------------------------	--



Part #	Plug-n-Play Connections		Available Accessories Installed					Sockets	
	Top Overfill Detection	Bottom Retain Detection	Ground Bolt	Pressure Sensor Switch	Trailer ID Module	Dual Male Pin - Power Cord	Stainless Steel 'Guaranteed for Life' Wear Rings	Optic	Thermistor
FT208-390							✓	6 contact pins, 3 J-slots	10 contact pins, 4 J-slots
FT208-390G			✓				✓		
FT208-390GS			✓	✓			✓		
FT208-390GST			✓	✓	✓		✓		
FT208-390GT			✓		✓		✓		

Product instruction sheets and technical data can be viewed on our website at canada.dixonvalve.com.



Biofuel Compatible. See fuel compatibility chart on page 28 for more information.

Overfill Detection

Fuel Tanker Overfill Detection

FloTech™ Checkmate Overfill/Retain Plug-n-Play System Monitors with Integrated Dual Sockets (continued)



Overfill Detection

Part #	Plug-n-Play Connections		Available Accessories Installed					Sockets	
	Top Overfill Detection	Bottom Retain Detection	Ground Bolt	Pressure Sensor Switch	Trailer ID Module	Dual Male Pin - Power Cord	Stainless Steel 'Guaranteed for Life' Wear Rings	Optic	Thermistor
<i>FT208-390P</i>	✓						✓	6 contact pins, 3 J-slots	10 contact pins, 4 J-slots
<i>FT208-390PG</i>	✓		✓				✓		
<i>FT208-390PGS</i>	✓		✓	✓			✓		
<i>FT208-390PGST</i>	✓		✓	✓	✓		✓		
<i>FT208-390PGT</i>	✓		✓		✓		✓		
<i>FT208-390PGSO</i>	✓		✓	✓		✓	✓		
<i>FT208-390PGSTO</i>	✓		✓	✓	✓	✓	✓		
<i>FT208-390PP</i>	✓	✓					✓		
<i>FT208-390PPG</i>	✓	✓	✓				✓		
<i>FT208-390PPGS</i>	✓	✓	✓	✓			✓		
<i>FT208-390PPGST</i>	✓	✓	✓	✓	✓		✓		
<i>FT208-390PPGT</i>	✓	✓	✓		✓		✓		
<i>FT208-390PPGSO</i>	✓	✓	✓	✓		✓	✓		
<i>FT208-390PPGSTO</i>	✓	✓	✓	✓	✓	✓	✓		
<i>FT208-391P</i>	✓						✓	6 contact pins, 4 J-slots	10 contact pins, 4 J-slots
<i>FT208-391PG</i>	✓		✓				✓		
<i>FT208-391PGS</i>	✓		✓	✓			✓		
<i>FT208-391PGST</i>	✓		✓	✓	✓		✓		
<i>FT208-391PGT</i>	✓		✓		✓		✓		
<i>FT208-391PP</i>	✓	✓					✓		
<i>FT208-391PPG</i>	✓	✓	✓				✓		
<i>FT208-391PPGS</i>	✓	✓	✓	✓			✓		
<i>FT208-391PPGST</i>	✓	✓	✓	✓	✓		✓		
<i>FT208-391PPGT</i>	✓	✓	✓		✓		✓		

See pages 164-165 for repair kits and replacement parts.

Product instruction sheets and technical data can be viewed on our website at canada.dixonvalve.com.



Biofuel Compatible. See fuel compatibility chart on page 28 for more information.

Fuel Tanker Overfill Detection

FloTech™ Checkmate Overfill/Retain Plug-n-Play System Stand Alone Monitors

Features & Benefits:

- Pre-wired and factory-tested with Plug-n-Play cabling and plugs; eliminates hours of manual crimped wire connections.
 - Includes water-tight integrated fuse holder, all stainless steel hardware and terminal block within the aluminum housing.
 - High-tech color-coded display shows well on trailers.
 - Monitors include advanced diagnostic capabilities and signal translation abilities for all socket types (optic, thermistor or float). The system offers true-load at any rack compatibility.
- Available Integrated Options:**
- top (overfill) only monitoring, or both top (overfill) and bottom (retain) monitoring



monitor



FT295

Part #	Checkmate Monitor with Plug-N-Play Connectors
FT208P	top overfill protection only
FT208PP	top overfill and bottom retain detection
FT208PPKC	Checkmate monitor with Plug-n-Play connectors, top overfill and bottom retain detection, for Canadian 'B' trains
FT208PPC	top overfill and bottom retain detection, for canadian 'b' trains
FT208PSS	dual-pressure switches
FT208LCM	Checkmate load control monitor
FT295	alarm interface module assembly

See page 142 for repair kits and replacement parts.

Stand Alone Socket Assemblies

Features & Benefits:

- Pre-wired and factory-tested with Plug-n-Play cables and plugs; eliminates hours of manual crimping and removes the problems and worries associated with connection problems.
 - Aluminum housings with either aluminum hard-coat or stainless steel wear rings, stainless steel contact pins.
 - Dual and triple socket assemblies **take less space** than multiple single sockets.
- Available Integrated Options:**
- pre-wired internal ground wire (dual or triple socket assemblies)
 - pre-wired trailer identification module (dual or triple socket assemblies)
 - FT300P and FT301P sockets are available with FloTech™ unique guaranteed for life stainless steel wear rings as options. Plug-n-Play dual and triple sockets come standard with guaranteed for life stainless steel wear rings.



FT390PG-20

Part #	Socket	API Optic	Thermistor	Optic J560	Internal Ground Wire
FT300P	single socket	6 contact pins and 3 J-slot	---	---	---
FT300PG	single socket	6 contact pins and 3 J-slot	---	---	✓
FT301P	single socket	---	8 contact pins and 4 J-slot	---	---
FT304P	single socket	---	10 contact pins and 4 J-slot	---	---
FT306P	single socket	---	---	✓	---
FT390PG-20 ¹	dual socket, 20 ft cable	6 contact pins and 3 J-slot	8 contact pins and 4 J-slot	---	✓
FT391PG	dual socket	6 contact pins and 4 J-slot	---	---	✓
FT394P ¹	triple socket	6 contact pins and 3 J-slot	10 contact pins and 4 J-slot	✓	---
FT394PG ¹	triple socket	6 contact pins and 3 J-slot	10 contact pins and 4 J-slot	✓	✓
FT394VP ¹	triple socket vertical arrangement	6 contact pins and 3 J-slot	10 contact pins and 4 J-slot	✓	---
FT394VPG ¹	triple socket vertical arrangement	6 contact pins and 3 J-slot	10 contact pins and 4 J-slot	✓	✓
FT395P-20 ²	triple socket, 20' cable	6 contact pins and 4 J-slot	10 contact pins and 4 J-slot	✓	---
FT395PG-20 ²	triple socket, 20' cable	6 contact pins and 4 J-slot	10 contact pins and 4 J-slot	✓	✓
FT391P-20	dual socket, 20 feet of Plug-n-Play cable, 4 J-slot				
FT391PG-20	dual socket, 20 feet of Plug-n-Play cable, 4 J-slot, internal ground wire				

^{1, 2} Guaranteed for life stainless steel wear rings included (U.S. ¹, Canada ²).

See pages 167-172 for repair kits and replacement parts.

Product instruction sheets and technical data can be viewed on our website at canada.dixonvalve.com.



Biofuel Compatible. See fuel compatibility chart on page 28 for more information.

Overfill Detection

Fuel Tanker Overfill Detection

FloTech™ Checkmate Overfill/Retain Plug-n-Play System Overfill Sensors

Overfill Detection



Features & Benefits:

- Overfill detection sensors are intended to detect a pending overfill condition inside the fuel tank compartment. When they are wetted (come in contact with the fuel), they signal the fuel loading rack to close the fuel supply control valve to prevent a product spill.
- Pre-wired and factory-tested with Plug-n-Play cabling and plugs; eliminates hours of manual crimped wire connections, and removes the problems and worries associated with connection problems. Easy to install: Mount the housing into the tank and plug the cables together.
- Trouble-free probes: FloTech™ brand probes incorporate a double elastomer design which seals and secures the sensitive glass optic prism tip. The elastomer seals are flexible allowing thermal expansion and resistance to steam cleaning and petroleum chemical attack.
- Custom lengths available upon request
- The FT151P series sensor housing contains a Plug-n-Play probe in a cast aluminum housing. The sensor housing has a 2" NPT mounting thread, heavy-duty stainless steel hardware, and FKM probe seal. Install into either a 2" NPT threaded port or a 2 3/8" diameter tank opening using the gasket and locking nut provided. All screws and rings are heavy-duty stainless steel for easy assembly and long life.

Part #	Description	Replacement Probes
FT151P	housing with 7" Plug-n-Play overfill detection probe, with Plug-n-Play harness connector	FT150P
FT151P-12	housing with 12" Plug-n-Play overfill detection probe, with Plug-n-Play harness connector	FT150P-12
FT151P-18	housing with 18" Plug-n-Play overfill detection probe, with Plug-n-Play harness connector	FT150P-18

See page 173-175 for repair kits and replacement parts.

Retain Sensors



Features & Benefits:

- Retain sensors inform the loading terminal if the tank compartments are empty, or if there is product left in the tank prior to re-loading the tank (product has been retained).
- Pre-wired and factory-tested with Plug-n-Play cabling and plugs, eliminates hours of manual crimped wire connections, and removes the problems and worries associated with connection problems. Easy to install: Mount the housing into the tank and plug the cables together.
- Trouble-free probes: FloTech™ brand probes/sensors incorporate a double elastomer design which seals and secures the sensitive optic prism tip. The elastomer seals are flexible allowing thermal expansion and resistance to steam cleaning and petroleum chemical attack.
- The FT152 sensor is a bottom retain detection sensor. Sensor is shipped with a 1/2" NPT weld-on aluminum half coupling for mounting. The main sensor portion is stainless steel to prevent galling in the tank. The wiring box is plastic to prevent corrosion.

Part #	Description
FT152P	housing with Plug-n-Play retain probe, with Plug-n-Play harness connector

See page 174-176 for repair kits and replacement parts.

Product instruction sheets and technical data can be viewed on our website at canada.dixonvalve.com.



Biofuel Compatible. See fuel compatibility chart on page 28 for more information.

Fuel Tanker Overfill Detection

FloTech™ Checkmate Overfill/Retain Plug-n-Play System Wiring Harnesses

Features & Benefits:

- Pre-wired and factory-tested with Plug-n-Play cabling and plugs; eliminates hours of manual crimped wire connections, and removes the problems and worries associated with connection problems. Easy to install: Mount all of the components (sensors, sockets, monitors) onto the tank and plug them into the pre-configured harness.
- Plug-n-Play cable harnesses come pre-configured for the type of tank (truck-mounted tanks or for full-length tank trailers) and the number of tank compartments; standard harnesses have been designed to fit most standard tank configurations.
- Custom-length harnesses are available.
- Secure and weather-tight connections at all times remove the possibility of poor wiring connections. Sealed connectors pass IP67 and DIN40050 salt-spray tests.



Part #	Description
overfill detection Plug-n-Play cable harnesses for full-length tank trailers	
FT20801	one compartment tank trailer. Overfill detection (top) cable harness with Plug-n-play connections
FT20802	two compartment tank trailer. Overfill detection (top) cable harness with Plug-n-play connections
FT20803	three compartment tank trailer. Overfill detection (top) cable harness with Plug-n-play connections
FT20804	four compartment tank trailer. Overfill detection (top) cable harness with Plug-n-play connections
FT20805	five compartment tank trailer. Overfill detection (top) cable harness with Plug-n-play connections
FT20806	six compartment tank trailer. Overfill detection (top) cable harness with Plug-n-play connections
retain detection Plug-n-Play cable harnesses for full-length tank trailers	
FT20801S	one compartment tank trailer. Retain (bottom) cable harness with Plug-n-play connections
FT20802S	two compartment tank trailer. Retain (bottom) cable harness with Plug-n-play connections
FT20803S	three compartment tank trailer. Retain (bottom) cable harness with Plug-n-play connections
FT20804S	four compartment tank trailer. Retain (bottom) cable harness with Plug-n-play connections
FT20805S	five compartment tank trailer. Retain (bottom) cable harness with Plug-n-play connections
FT20806S	six compartment tank trailer. Retain (bottom) cable harness with Plug-n-play connections
overfill detection Plug-n-Play cable harnesses for truck-mounted tanks	
FT20801TWS	one compartment truck-mounted tank. Overfill detection (top) cable harness with Plug-n-play connections
FT20802TWS	two compartment truck-mounted tank. Overfill detection (top) cable harness with Plug-n-play connections
FT20803TWS	three compartment truck-mounted tank. Overfill detection (top) cable harness with Plug-n-play connections
FT20804TWS	four compartment truck-mounted tank. Overfill detection (top) cable harness with Plug-n-play connections
FT20805TWS	five compartment truck-mounted tank. Overfill detection (top) cable harness with Plug-n-play connections
FT20806TWS	six compartment truck-mounted tank. Overfill detection (top) cable harness with Plug-n-play connections
monitor to harness extensions	
FT20800-EXT-2FT	2 ft monitor to harness extension
FT20800-EXT-8	8 ft monitor to harness extension
FT20800-EXT-25	25 ft monitor to harness extension
FT20800-EXT-36	36 ft monitor to harness extension

Overfill Detection

Product instruction sheets and technical data can be viewed on our website at canada.dixonvalve.com.



Biofuel Compatible. See fuel compatibility chart on page 28 for more information.

Fuel Tanker Overfill Detection

FloTech™ Checkmate Overfill Detection (Black & White 2 Wire) Systems (Top Detection Only)

Features & Benefits:

- FloTech™ brand overfill system kits provide everything needed to install a new overfill system on your tank. One to eight compartment kits are available from our inventory. Systems include: 1 FT208 monitor, 1 FT151 overfill sensor per compartment, FT404 cable and FT402 strain reliefs (cable glands).
- Other probe lengths are available.



Part #	Description
FT2801	Checkmate, one compartment system (top only) - 7" probes
FT2802	Checkmate, two compartment system (top only) - 7" probes
FT2803	Checkmate, three compartment system (top only) - 7" probes
FT2804	Checkmate, four compartment system (top only) - 7" probes
FT2805	Checkmate, five compartment system (top only) - 7" probes
FT2806	Checkmate, six compartment system (top only) - 7" probes
FT2807	Checkmate, seven compartment system (top only) - 7" probes
FT2808	Checkmate, eight compartment system (top only) - 7" probes
FT2801-12	Checkmate, one compartment system (top only) - 12" probes
FT2802-12	Checkmate, two compartment system (top only) - 12" probes
FT2803-12	Checkmate, three compartment system (top only) - 12" probes
FT2804-12	Checkmate, four compartment system (top only) - 12" probes
FT2805-12	Checkmate, five compartment system (top only) - 12" probes
FT2806-12	Checkmate, six compartment system (top only) - 12" probes
FT2807-12	Checkmate, seven compartment system (top only) - 12" probes
FT2808-12	Checkmate, eight compartment system (top only) - 12" probes

Please refer to the chart on pages 94-97 for cross references to other manufacturer part numbers.

FloTech™ Checkmate Overfill Detection (Black & White 2 Wire) Systems (Top and Bottom)

Features & Benefits:

- FloTech™ brand overfill system kits provide everything needed to install a new overfill system on your tank. One to eight compartment kits are available from our inventory. Systems include: 1 FT208 monitor, 1 FT151 overfill sensor and 1 FT152 retain sensor per compartment, FT404-150 cable and FT403 strain reliefs (cable glands).
- Other probe lengths are available.



Part #	Description
FT2811	Checkmate, one compartment system (overfill & retain) - 7" probes
FT2812	Checkmate, two compartment system (overfill & retain) - 7" probes
FT2813	Checkmate, three compartment system (overfill & retain) - 7" probes
FT2814	Checkmate, four compartment system (overfill & retain) - 7" probes
FT2815	Checkmate, five compartment system (overfill & retain) - 7" probes
FT2816	Checkmate, six compartment system (overfill & retain) - 7" probes
FT2817	Checkmate, seven compartment system (overfill & retain) - 7" probes
FT2818	Checkmate, eight compartment system (overfill & retain) - 7" probes
FT2811-12	Checkmate, one compartment system (overfill & retain) - 12" probes
FT2812-12	Checkmate, two compartment system (overfill & retain) - 12" probes
FT2813-12	Checkmate, three compartment system (overfill & retain) - 12" probes
FT2814-12	Checkmate, four compartment system (overfill & retain) - 12" probes
FT2815-12	Checkmate, five compartment system (overfill & retain) - 12" probes
FT2816-12	Checkmate, six compartment system (overfill & retain) - 12" probes
FT2817-12	Checkmate, seven compartment system (overfill & retain) - 12" probes
FT2818-12	Checkmate, eight compartment system (overfill & retain) - 12" probes

Please refer to the chart on pages 94-97 for cross references to other manufacturer part numbers.

Fuel Tanker Overfill Detection

FloTech™ Checkmate Overfill/Retain (Black & White 2 Wire) System Replacement Parts Checkmate Onboard Monitors

Features & Benefits:

- Easy to follow programming guide for up to eight compartments, top only or top and bottom service with the same monitor.
- Monitor can be programmed up to 100,000 times without sending it back to the factory.
- Stainless steel terminal blocks resist rusting of contacts.
- Stainless steel hardware is used on all products.
- Powder-coated color-matched components for exceptional appearance.
- Auxiliary input for Hobbs type switches.
- power control relay output
- Drop-in compatibility with competitors' products; see compatibility chart on pages 61-64.
- wide input power 12-24 VDC
- Monitors include advanced diagnostic capabilities, as well as signal translation abilities for all socket types (optic, thermistor or float). The system offers true-load at any rack compatibility.

Available integrated options:

- Optional FloTech™ feature (patent pending) is only available on Checkmate model onboard monitors. Data Link™ gives maintenance staff the ability to download the performance and diagnostic history of the overfill system. Plug the FloTech™ hand-held diagnostic terminal into the Checkmate monitor and download to your PC. A time- and date-stamped report is generated, showing the history of every wetted or failed sensor, rack connection, auxiliary input and load/unload data.

Part #	Description
FT208	Checkmate programmable monitor and housing
FT207	Checkmate programmable replacement monitor only (no housing)



FT208

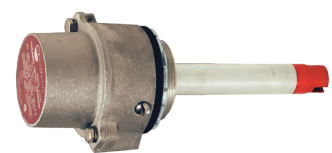
See page 177 for repair kits and replacement parts. Please refer to the chart on pages 94-97 for cross references to other manufacturer part numbers.

Overfill Detection Sensors

Features & Benefits:

- The FloTech™ thermo-optic 2 wire probe is electronically and mechanically compatible for drop-in replacement of other commonly used 2 wire probes with black and white wires, providing the fast response and reliability of optic technology in a thermistor application.
- Custom probe lengths available upon request.
- The sensor housing contains a black and white 2 wire probe in a cast aluminum housing. The sensor housing has a 2" NPT mounting thread, heavy-duty stainless steel hardware, and FKM probe seal. Install into either a 2" NPT threaded port or 2 3/8" diameter tank opening using the gasket and locking nut provided.

Part #	Description	Replacement Probes
FT151	housing with 7" black and white 2 wire overfill detection probe	FT150
FT151-12	housing with 12" black and white 2 wire overfill detection probe	FT150-12
FT151-18	housing with 18" black and white 2 wire overfill detection probe	FT150-18



FT151

Retain Sensors

Features & Benefits:

- Retain sensors inform the loading terminal if the tank compartments are empty, or if there is product left in the tank prior to re-loading the tank (product has been retained).
- Sensor is shipped with a 1/2" NPT weld-on aluminum half coupling for mounting. The main sensor portion is stainless steel to prevent galling in the tank. The wiring box is nylon to prevent corrosion and is removable to facilitate installation. Our three port housing design is compatible with previous in-line and parallel two port housing.

Part #	Description
FT152	housing with black and white 2 wire retain probe



FT152

See page 174-176 for repair kits and replacement parts.

Product instruction sheets and technical data can be viewed on our website at canada.dixonvalve.com.



Biofuel Compatible. See fuel compatibility chart on page 28 for more information.

Fuel Tanker Overfill Detection

FloTech™ ROM Type Overfill Detection (Red and Black 2 Wire) Systems (Top Detection Only)

Features & Benefits:

- FloTech™ brand overfill system kits provide everything needed to install a new overfill system on your tank. One to six compartment kits are available from our inventory. Systems include: 1 FT204P monitor, 1 FT202 overfill sensor per compartment, FT401 (100') cable and FT402 (20 pieces) strain reliefs (cable glands). Sockets, in-line fuse and instruction booklet sold separately.
- Other probe lengths are available.



Part #	Description
FT2101	ROM type, one compartment system (top only) - 7" probes
FT2102	ROM type, two compartment system (top only) - 7" probes
FT2103	ROM type, three compartment system (top only) - 7" probes
FT2104	ROM type, four compartment system (top only) - 7" probes
FT2105	ROM type, five compartment system (top only) - 7" probes
FT2106	ROM type, six compartment system (top only) - 7" probes
FT2101-12	ROM type, one compartment system (top only) - 12" probes
FT2102-12	ROM type, two compartment system (top only) - 12" probes
FT2103-12	ROM type, three compartment system (top only) - 12" probes
FT2104-12	ROM type, four compartment system (top only) - 12" probes
FT2105-12	ROM type, five compartment system (top only) - 12" probes
FT2106-12	ROM type, six compartment system (top only) - 12" probes

Overfill Detection

FloTech™ ROM Type Overfill/Retain Detection (Red and Black 2 Wire) Systems (Top and Bottom)

Features & Benefits:

- FloTech™ brand overfill system kits provide everything needed to install a new overfill system on your tank. One to six compartment kits are available from our inventory. Systems include: 1 FT204P monitor, 1 FT202 overfill sensor and 1 FT206 retain sensor per compartment, FT401 (100') cable and FT403 (30 pieces) strain reliefs (cable glands). Sockets, in-line fuse and instruction booklet sold separately.
- Other probe lengths are available.



Part #	Description
FT2001	ROM type, one compartment system (overfill & retain) - 7" probes
FT2002	ROM type, two compartment system (overfill & retain) - 7" probes
FT2003	ROM type, three compartment system (overfill & retain) - 7" probes
FT2004	ROM type, four compartment system (overfill & retain) - 7" probes
FT2005	ROM type, five compartment system (overfill & retain) - 7" probes
FT2006	ROM type, six compartment system (overfill & retain) - 7" probes
FT2001-12	ROM type, one compartment system (overfill & retain) - 12" probes
FT2002-12	ROM type, two compartment system (overfill & retain) - 12" probes
FT2003-12	ROM type, three compartment system (overfill & retain) - 12" probes
FT2004-12	ROM type, four compartment system (overfill & retain) - 12" probes
FT2005-12	ROM type, five compartment system (overfill & retain) - 12" probes
FT2006-12	ROM type, six compartment system (overfill & retain) - 12" probes

Fuel Tanker Overfill Detection

FloTech™ ROM Type Overfill/Retain (Red & Black 2 Wire) System Replacement Parts

ROM Type Onboard Monitors

Features & Benefits:	<ul style="list-style-type: none"> • Easy to follow programming guide for up to six compartments, top only or top and bottom service with the same monitor. • Monitor can be programmed up to 100,000 times without sending it back to the factory. • As the monitor is programmed for the number of compartments, terminators are not required. • Stainless steel terminal blocks resist rusting of contacts. • Stainless steel hardware is used on all products. • Powder-coated color-matched components for exceptional appearance. • auxiliary input • wide input power 12-24 VDC • Drop-in compatibility with competitors' products. See compatibility chart on pages 68 - 71. • Monitors include advanced diagnostic capabilities, as well as signal translation abilities for all socket types (optic, thermistor or float). The system offers true-load at any rack compatibility.
---------------------------------	---

Part #	Description
FT204	FloTech™ ROM type programmable monitor and housing.
FT203	FloTech™ ROM type programmable replacement monitor only (no housing)
FT203P-SPEC	FloTech™ ROM type programmable replacement monitor with eight hole cover (no housing or frame)

See page 178 for repair kits and replacement parts.



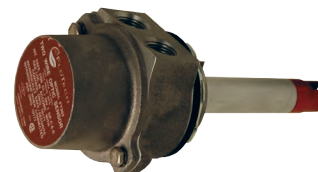
FT204P

Overfill Detection

Overfill Sensors

Features & Benefits:	<ul style="list-style-type: none"> • Overfill detection sensors are intended to detect a pending overfill condition inside the fuel tank compartment. When they are wetted (come in contact with the fuel) they signal the fuel loading rack to close the fuel supply control valve to prevent a product spill. • The FloTech™ optic 2 wire probe is electronically and mechanically compatible for drop-in replacement of other commonly used 2 wire probes with red and black wires, such as the Civacon ROM system. • All FloTech™ brand probes are trouble-free probes and come with a unique dual elastomer seal for the glass optic prisms. The elastomer seals are flexible allowing thermal expansion and resistance to steam cleaning and temperature changes, along with resistance to petroleum chemical attack. The replacement probes have a smooth, tapered tip design for easy replacement installation into the sensor housing without gasket damage. • Custom probe lengths available upon request • The sensor housing contains a red and black 2 wire probe, in a cast aluminum housing. The sensor housing has a 2" NPT mounting thread, heavy-duty stainless steel hardware, and FKM probe seal. Install into either a 2" NPT threaded port or 2 3/8" diameter tank opening using the gasket and locking nut provided. All screws and rings are heavy-duty stainless steel for easy assembly and long life.
---------------------------------	---

Part #	Description	Replacement Probes
FT202	Housing with 7" red and black 2 wire overfill detection probe	FT201
FT202-12	Housing with 12" red and black 2 wire overfill detection probe	FT201-12
FT202-18	Housing with 18" red and black 2 wire overfill detection probe	FT201-18



FT202

See page 175 for repair kits and replacement parts. Please refer to the chart on pages 94-97 for cross references to other manufacturer part numbers.

Fuel Tanker Overfill Detection

FloTech™ ROM Type Overfill/Retain (Red & Black 2 Wire) System Replacement Parts

Retain Sensors



Features & Benefits:

- The FT206 is a retain detection sensor shipped with a 1/2" NPT weld-on aluminum half coupling for mounting. The main portion is stainless steel to prevent galling in the tank. The wiring box is plastic to prevent corrosion and is removable to facilitate installation. The side ports come out of the same side (like the overfill sensors) to make wiring easier. The FT206 is compatible with Civacon model 1000 and the Civacon R/OM System. Our three port housing design is compatible with previous in-line and parallel two port housings.
- Trouble-free probes: FloTech™ brand probes/sensors incorporate a double elastomer design which seals and secures the sensitive optic prism tip. The elastomer seals are flexible allowing thermal expansion and resistance to steam cleaning and petroleum chemical attack.

Part #	Description
FT206	housing with red and black 2 wire retain probe

See page 176 for repair kits and replacement parts.
Please refer to chart on pages 94-97 for cross references to other manufacturer part numbers.

Overfill Detection

Product instruction sheets and technical data can be viewed on our website at canada.dixonvalve.com.



Biofuel Compatible. See fuel compatibility chart on page 28 for more information.

Fuel Tanker Overfill Detection

FloTech™ FT151RL ROM Link™ Replacement Parts

Application:	The FT151RL is designed to replace the complete ROM Link™ sensor assembly. Simply remove the Civacon sensor housing from the manhole lid and install the FloTech™ FT151RL or FT151RL-12. Plug the FT151RL into the wiring harness using our connector adapter, and the change out is complete.
Standards:	Drop-in replacement for the Civacon ROM Link™ sensors 1554-007 & 1554-0012.
Materials:	aluminum housing with stainless steel hardware
Features & Benefits:	<ul style="list-style-type: none"> • Trouble-free probes: FloTech™ brand probes incorporate a double elastomer design which seals and secures the sensitive glass optic prism tip. The elastomer seals are flexible allowing thermal expansion and resistance to steam cleaning and petroleum chemical attack. • Unlike our competitors, FloTech™ probes do not use internal coil cord connectors, which consistently fail in moisture. All FloTech™ Plug-n-Play probes are pre-wired to our harness connector, which has proven itself in moisture. • FloTech™ sensor housings have a sturdy, bolt-on cap to better seal out water. • The FT151RL includes an adapter connector to permit interchange between Civacon's ROM Link™ system and the FloTech™ FT150RL sensor. • Custom lengths are available upon request. • The FT151RL sensor housing contains a Plug-n-Play probe. The sensor housing has a 2" NPT mounting thread, heavy-duty stainless steel hardware, and FKM probe seal. Install into either a 2" NPT threaded port or a 2 3/8" diameter tank opening using the gasket and locking nut provided. All screws and rings are heavy-duty stainless steel for easy assembly and long life.

Overfill Detection



FT151RL



FT152RL

Part #	Description
FT151RL	housing with 7" Plug-n-Play overfill detection probe, with Plug-n-Play harness and ROM link jumper cable connector
FT151RL-12	housing with 12" Plug-n-Play overfill detection probe, with Plug-n-Play harness and ROM link jumper cable connector
FT152RL	retain sensor with Plug-n-Play harness and ROM link jumper cable
Replacement Probes	
FT150P	replacement 7" Plug-n-Play probe for FT151RL only
FT150P-12	replacement 12" Plug-n-Play probe for FT151RL-12 only
10688	gender adapter
10605PL	Plug-n-Play harness to monitor connector clip

Please refer to the chart on pages 94-97 for cross references to other manufacturer part numbers.


Product instruction sheets and technical data can be viewed on our website at canada.dixonvalve.com.



Biofuel Compatible. See fuel compatibility chart on page 28 for more information.

Fuel Tanker Overfill Detection

FloTech™ API Optic Overfill Detection (5 Wire) Systems

Application:	The FloTech™ API Optic 5 wire system is perfectly suited for both new and existing tank installations. The components have a long list of features which make them more reliable than competitor products; the result is years of trouble-free service. The FloTech™ API Optic 5 wire system is a conventionally wired system, which requires wiring connections to be made using crimp connectors. If a simple plug together system is desired, please see our Checkmate Plug-n-Play system, as shown on pages 39-45.
Materials:	Dependent upon the component. See each product section for materials.
Features & Benefits:	<ul style="list-style-type: none"> • See the features and benefits of each of the system components. • Biofuel Compatible: Up to E100 (100% Ethanol) and B100 (100% Biodiesel). 

FloTech™ API Optic Overfill Detection (5 Wire) Systems (Top Detection Only)



Features & Benefits:	<ul style="list-style-type: none"> • FloTech™ brand overfill system kits provide everything needed to install a new overfill system on your tank. One to six compartment kits are available from our inventory. System includes: 1 FT103 monitor, 1 FT101 overfill sensor per compartment, FT300 open socket, FT400 cable and FT402 strain reliefs (cable glands). • Other probe lengths are available.
----------------------	---

Part #	Description
FT1001	API optic 5 wire, 1 compartment overfill detection system (top only) - 7" probes
FT1002	API optic 5 wire, 2 compartment overfill detection system (top only) - 7" probes
FT1003	API optic 5 wire, 3 compartment overfill detection system (top only) - 7" probes
FT1004	API optic 5 wire, 4 compartment overfill detection system (top only) - 7" probes
FT1005	API optic 5 wire, 5 compartment overfill detection system (top only) - 7" probes
FT1006	API optic 5 wire, 6 compartment overfill detection system (top only) - 7" probes
FT1001-12	API optic 5 wire, 1 compartment overfill detection system (top only) - 12" probes
FT1002-12	API optic 5 wire, 2 compartment overfill detection system (top only) - 12" probes
FT1003-12	API optic 5 wire, 3 compartment overfill detection system (top only) - 12" probes
FT1004-12	API optic 5 wire, 4 compartment overfill detection system (top only) - 12" probes
FT1005-12	API optic 5 wire, 5 compartment overfill detection system (top only) - 12" probes
FT1006-12	API optic 5 wire, 6 compartment overfill detection system (top only) - 12" probes
Straight systems without monitor- Wire directly to socket	
FT901	API optic 5 wire straight, 1 compartment overfill detection system (top only) - 7" probes
FT902	API optic 5 wire straight, 2 compartment overfill detection system (top only) - 7" probes
FT903	API optic 5 wire straight, 3 compartment overfill detection system (top only) - 7" probes
FT904	API optic 5 wire straight, 4 compartment overfill detection system (top only) - 7" probes
FT905	API optic 5 wire straight, 5 compartment overfill detection system (top only) - 7" probes

Please refer to the chart on pages 94-97 for cross references to other manufacturer part numbers.

Product instruction sheets and technical data can be viewed on our website at canada.dixonvalve.com.



Biofuel Compatible. See fuel compatibility chart on page 28 for more information.

Fuel Tanker Overfill Detection

FloTech™ API Optic Overfill Detection (5 Wire) Systems Replacement Parts

Onboard Monitors

Features & Benefits:

- Stainless steel terminal blocks resist rusting of contacts.
- Stainless steel hardware is used on all products.
- Powder-coated color-matched components for exceptional appearance.
- Drop-in compatibility with competitors products. See compatibility chart on pages 58-62.
- Signal translation ability, which allows connection with all socket types (optic, thermistor or float). The system offers true-load at any rack compatibility.



FT103

Part #	Description
FT102	FloTech™ API Optic 5 wire replacement monitor only (no housing)
FT103	FloTech™ API Optic 5 wire monitor and housing

See page 153 for repair kits and replacement parts.

Overfill Detection Sensors

Features & Benefits:

- The FloTech™ API optic 5 wire probe is electronically and mechanically compatible for drop-in replacement of other commonly used 5 wire probes.
- Custom probe lengths are available upon request.
- The sensor housing contains a 5 wire probe, in a cast aluminum housing. The sensor housing has a 2" NPT mounting thread, heavy-duty stainless steel hardware and FKM probe seal. Install into either a 2" NPT threaded port or 2 3/8" diameter tank opening using the gasket and locking nut provided.



FT101

Part #	Description	Replacement Probes
FT101	housing with 7" - 5 wire overfill detection probe	FT100
FT101-12	housing with 12" - 5 wire overfill detection probe	FT100-12
FT101-18	housing with 18" - 5 wire overfill detection probe	FT100-18

See page 175 for repair kits and replacement parts. Please refer to the chart on pages 94-97 for cross references to other manufacturer part numbers.

Product instruction sheets and technical data can be viewed on our website at canada.dixonvalve.com.



Biofuel Compatible. See fuel compatibility chart on page 28 for more information.

Fuel Tanker Overfill Detection

Stainless Steel Probe and Sensor Housings

Black and White 2 Wire



FT150S

Features & Benefits:

- The FloTech™ stainless steel probes and sensor housings are designed to be used with chemicals. All wetted services are 316 stainless steel or PTFE. These probes are designed to thread onto a DOT 407 tank 3" clean out nipple.
- All FloTech™ brand probes are trouble-free probes: They come with a unique dual elastomer seal for the glass optic prisms. The elastomer seals are flexible allowing thermal expansion and resistance to steam cleaning and temperature changes, along with resistance to petroleum chemical attack. The replacement probes have a smooth, tapered tip design for easy replacement installation into the sensor housing without gasket damage.
- Maximum working pressure **900 PSI at 70°F (21°C)**.
- Custom probe lengths using 3/4" pipe nipples are available upon request.

Part #	Description
FT150S	7" 316 stainless steel, black and white 2 wire, overfill detection probe only (no housing)
FT191S	stainless steel probe housing, 3" female NPS thread (housing only; order probe separately)

See page 176 for repair kits and replacement parts.

5 Wire



FT191S and FT100S

Features & Benefits:

- The FloTech™ stainless steel probes and sensor housings are designed to be used with chemicals. All wetted services are 316 stainless steel or PTFE. These probes are designed to thread onto a DOT 407 tank 3" clean out nipple. Sensor length can be adjusted using 3/4" NPT pipe nipples.
- All FloTech™ brand probes are trouble-free probes: They come with a unique, dual elastomer seal for the glass optic prisms. The elastomer seals are flexible, allowing thermal expansion and resistance to steam cleaning and temperature changes, along with resistance to petroleum chemical attack. The replacement probes have a smooth, tapered tip design for easy replacement installation into the sensor housing without gasket damage.
- Maximum working pressure **900 PSI at 70°F (21°C)**.
- Custom probe lengths available upon request.

Part #	Description
FT100S	7" 316 stainless steel 5 wire overfill detection probe only (no housing)
FT191S	stainless steel probe housing, 3" female NPS thread (housing only; order probe separately)

See page 176 for repair kits and replacement parts.

Product instruction sheets and technical data can be viewed on our website at canada.dixonvalve.com.



Biofuel Compatible. See fuel compatibility chart on page 28 for more information.

Fuel Tanker Overfill Detection

Single Sockets with Aluminum Hard-coat J-slot



FT300



FT300GW



FT301



FT302

Features & Benefits:

- Single face plate sockets have hard-coated aluminum alloy J-slot wear rings; These ensure a long service life. Single sockets with "guaranteed for life" stainless steel wear rings are also available.
- Stainless steel hardware and contact pins prevent corrosion.
- Sockets and caps are color-coded with industry standardized colors, which allows for easy identification of socket type (optic sockets are blue, thermistor sockets are green and float sockets are red; colored caps are included for optic and thermistor models only).

Part #	Description
FT300	Optic socket API / WOGA, 6 pin and 3 J-slot (US)
FT300GW	Optic socket API / WOGA, 6 pin and 3 J-slot with ground wire
FT307	Optic socket, 6 pin and 4 J-slot (Canada)
FT307GW	Optic socket, 6 pin and 4 J-slots with ground verification wire
FT306	Optic socket, J560 pin type
FT301	Thermistor socket, API, 8 pin and 4 J-slot (US)
FT301GW	Thermistor socket, API, 8 pin and 4 J-slot with ground wire
FT304	Thermistor socket, 10 pin and 4 J-slot (Canada/Europe)
FT304GW	Optic socket, 10 pin and 4 J-slots and ground verification wire
FT305	Thermistor socket, J560 pin type
FT302	Float, API, J560 pin type socket

Replacement Face Plates and Dust Caps

Part #	Description
FT310	API optic face plate assembly, 6 pin, 3 J-slot (US) with dust cap
FT317	Optic pattern face plate assembly, 6 pin, 4 J-slot (Canada) with dust cap
FT316	Optic replacement face plate, J560 type with dust cap
FT311	API thermistor face plate assembly, 8 pin, 4 J-slot (US) with dust cap
FT314	Thermistor face plate assembly, 10 pin 4 J-slot (Canada/Europe) with dust cap
FT315	Thermistor replacement face plate, J560 type with dust cap
FT320	replacement blue optic dust cap
FT321	replacement green thermistor dust cap

See pages 180-182 for repair kits and replacement parts.
Please refer to the chart on pages 94-97 for cross references to other manufacturer part numbers.

Product instruction sheets and technical data can be viewed on our website at canada.dixonvalve.com.



Biofuel Compatible. See fuel compatibility chart on page 28 for more information.

Fuel Tanker Overfill Detection

Single Sockets with GFL (Guaranteed for Life) Stainless Steel J-slot Wear Rings



FT300SSGW



FT301SS

Features & Benefits:

- Available on any configuration J-slot socket.
- Tougher and more corrosion-resistant than any other on the market.
- Guaranteed for Life against wear.
- U.S. patent 6,824,423

Overfill Detection

Part #	Description
FT300SS	Optic socket API / WOGA, 6 pin and 3 J-slot, GFL stainless steel J-slot wear ring (U.S.)
FT300SSGW	Optic socket API / WOGA, 6 pin and 3 J-slot, GFL stainless steel J-slot wear ring with ground wire
FT307SS	Optic socket, 6 pin and 4 J-slot, GFL stainless steel J-slot wear ring (Canada)
FT307SSGW	Optic socket, 6 pin and 4 J-slots, GFL stainless steel J-slot wear ring with ground verification wire
FT301SS	Thermistor socket, API, 8 pin and 4 J-slot, GFL stainless steel J-slot wear ring (U.S.)
FT301SSGW	Thermistor socket, API, 8 pin and 4 J-slot, GFL stainless steel J-slot wear ring with ground wire
FT304SS	Thermistor socket, 10 pin and 4 J-slot, GFL stainless steel J-slot wear ring (Canada/Europe)
FT304SSGW	Thermistor socket, 10 pin and 4 J-slots, GFL stainless steel J-slot wear ring with ground verification wire

Replacement Face Plates and Dust Caps

Part #	Description
FT310SS	API optic face plate assembly, 6 pin, 3 J-slot, GFL stainless steel J-slot wear ring (U.S.) with dust cap
FT317SS	Optic pattern face plate assembly, 6 pin, 4 J-slot, GFL stainless steel J-slot wear ring (Canada) with dust cap
FT311SS	API thermistor face plate assembly, 8 pin, 4 J-slot, GFL stainless steel J-slot wear ring (U.S.) with dust cap
FT314SS	Thermistor face plate assembly 10 pin, 4 J-slot, GFL stainless steel J-slot wear ring (Canada/Europe) with dust cap
FT320	replacement blue optic dust cap
FT321	replacement green thermistor dust cap

See pages 178-180 for repair kits and replacement parts.
Please refer to the chart on pages 94-97 for cross references to other manufacturer part numbers.

Product instruction sheets and technical data can be viewed on our website at canada.dixonvalve.com.



Biofuel Compatible. See fuel compatibility chart on page 28 for more information.

Fuel Tanker Overfill Detection

EZ-Cept Double Sockets



FT390

Features & Benefits:

- Stainless steel hardware and contact pins prevent corrosion.
- Sockets are color-coded with industry standardized colors, allowing for easy identification of socket type (optic sockets are blue, thermistor sockets are green and float sockets are red; colored caps are included for optic and thermistor models only).
- Guaranteed for Life J-slot: Our unique, stainless steel alloy J-slot ring will probably outlast your trailer.
- Pre-wired, ready for tank installation: No more long hours wiring and troubleshooting your socket connections. Simply bolt to the trailer and connect to the terminal block in the on-board monitor.
- Internal ground wire and ID chip ready: Both internal ground wire and ID chip are normally mounted inside the EZ-Cept housing to protect from corrosive elements. Or if desired, the bolt can be mounted to the trailer frame, and the wire can be connected to the EZ-Cept internal wire terminal.
- Corrosion-resistant hard-coated housing, stainless steel hardware and contacts and our unique keep dry enclosure design keeps your trailer in service and corrosion at bay.
- The EZ-Cept has so many innovative features it is covered by U.S. patent 6,824,423.

Overfill Detection

Part #	Description
FT390	Optic 6 pin, 3 J-slot, and thermistor 10 pin, 4 J-slot, horizontal mount, GFL stainless steel J-slot wear rings (U.S.)
FT390V	Optic 6 pin, 3 J-slot, and thermistor 10 pin, 4 J-slot, vertical mount, GFL stainless steel J-slot wear rings (U.S.)
FT390G	Optic 6 pin, 3 J-slot, and thermistor 10 pin, 4 J-slot, horizontal mount, GFL stainless steel J-slot wear rings, internal ground wire (U.S.)
FT390GT	Optic 6 pin, 3 J-slot, and thermistor 10 pin, 4 J-slot, horizontal mount, GFL stainless steel J-slot wear rings, internal ground wire Trailer Identification Module chip (U.S.)
FT390T	Optic 6 pin, 3 J-slot, and thermistor 10 pin, 4 J-slot, horizontal mount, GFL stainless steel J-slot wear rings, Trailer Identification Module chip (U.S.)
FT390-20	Optic 6 pin, 3 J-slot, and thermistor 10 pin, 4 J-slot, horizontal mount, GFL stainless steel J-slot wear rings, 20' of cable (U.S.)
FT390G-20	Optic 6 pin, 3 J-slot, and thermistor 10 pin, 4 J-slot, horizontal mount, GFL stainless steel J-slot wear rings, internal ground wire, 20' of cable (U.S.)
FT391	Optic 6 pin, 4 J-slot, and thermistor 10 pin, 4 J-slot, horizontal mount, GFL stainless steel J-slot wear rings (Canada)
FT391G	Optic 6 pin, 4 J-slot and thermistor 10 pin, 4 J-slot, horizontal mount, GFL stainless steel J-slot wear rings, ground verification wire (Canada)
FT391V	Optic 6 pin, 4 J-slot, and thermistor 10 pin, 4 J-slot, vertical mount, GFL stainless steel J-slot wear rings (Canada)

See pages 183-184 for repair kits and replacement parts.

Please refer to the chart on pages 94-97 for cross references to other manufacturer part numbers.

Product instruction sheets and technical data can be viewed on our website at canada.dixonvalve.com.



Biofuel Compatible. See fuel compatibility chart on page 28 for more information.

Fuel Tanker Overfill Detection

EZ-Cept Triple Sockets



FT394

Overfill Detection

Features & Benefits:

- Stainless steel hardware and contact pins prevent corrosion.
- Sockets are color-coded with industry standardized colors, allowing for easy identification of socket type (optic sockets are blue, thermistor sockets are green and float sockets are red; colored caps are included for optic and thermistor models only).
- Unique, stainless steel alloy J-slot ring is Guaranteed for Life.
- Pre-wired, ready for tank installation: Bolt to the trailer and connect to the terminal block in the on-board monitor.
- Internal ground wire and ID chip ready: Both internal ground wire and ID chip are normally mounted inside the EZ-Cept housing to protect from corrosive elements. May be mounted to the trailer frame and the wire can be connected to the EZ-Cept internal wire terminal.
- Corrosion-resistant hard-coated housing, stainless steel hardware and contacts and our unique keep dry enclosure design keeps your trailer in service and corrosion at bay.
- The EZ-Cept has so many innovative features that it is covered by U.S. patent 6,824,423.

Part #	Description
FT393	Optic 6 pin, 3 J-slot, thermistor 10 pin, 4 J-slot, and float J560, horizontal mount, GFL stainless steel J-slot wear rings (U.S.)
FT394	Optic 6 pin, 3 J-slot, thermistor 10 pin, 4 J-slot, and optic J560, horizontal mount, GFL stainless steel J-slot wear rings (U.S.)
FT394G	Optic 6 pin, 3 J-slot, thermistor 10 pin, 4 J-slot, and optic J560, horizontal mount, internal ground wire, GFL stainless steel J-slot wear rings (U.S.)
FT394V-G	Optic 6 pin, 3 J-slot, thermistor 10 pin, 4 J-slot, and optic J560, vertical mount, internal ground wire, GFL stainless steel J-slot wear rings (U.S.)
FT395	Optic 6 pin, 4 J-slot, thermistor 10 pin, 4 J-slot, and optic J560, horizontal mount, GFL stainless steel J-slot wear rings (Canada)
FT395G	Optic 6 pin, 4 J-slot, thermistor 10 pin, 4 J-slot, and optic J560, horizontal mount, internal ground wire, GFL stainless steel J-slot wear rings (Canada)
FT395V	Optic 6 pin, 4 J-slot, thermistor 10 pin, 4 J-slot, and optic J560, horizontal mount, internal ground wire, GFL stainless steel J-slot wear rings (Canada)
FT395V-G	Optic 6 pin, 4 J-slot, thermistor 10 pin, 4 J-slot, and optic J560, vertical mount, internal ground wire, GFL stainless steel J-slot wear rings (Canada)

See pages 183-184 for repair kits and replacement parts.
Please refer to the chart on pages 94-97 for cross references to other manufacturer part numbers.

Socket Cleaner



Application:	<ul style="list-style-type: none"> • Used to clean dirty or corroded overfill socket contact blocks.
Features & Benefits:	<ul style="list-style-type: none"> • Improves electrical connection and reduces drop-out of permit signal. • simple, handheld contact cleaner • 3M Scotch-Brite™ pad

Part #	Description
FT406	socket cleaner

Product instruction sheets and technical data can be viewed on our website at canada.dixonvalve.com.



Biofuel Compatible. See fuel compatibility chart on page 28 for more information.

Fuel Tanker Overfill Detection

Grounding Ball and Bolt



FT450



FT451



FT452



FT452-002

Part #	Description
FT450	ground verification bolt
FT451	ground verification ball
FT452	ground wire for single sockets
FT452-002	ground wire for dual sockets

See pages 185-186 for repair kits and replacement parts.

Please refer to the chart on pages 94-97 for cross references to other manufacturer part numbers.

FloTech™ Checkmate Overfill/Retain (Black & White 2 Wire) System Sensor Dummy



Part #	Description
FT155	Thermistor sensor dummy (each dummy adds up to 5 compartments)

Multi Wrench



Application:	<ul style="list-style-type: none"> Used for threading and unthreading lock nuts.
Features & Benefits:	<ul style="list-style-type: none"> Hard-coated for corrosion resistance. laser etched

Part #	Description
40530AL	multi-sided wrench for installing FT9000/VR6030SQ

Product instruction sheets and technical data can be viewed on our website at canada.dixonvalve.com.



Biofuel Compatible. See fuel compatibility chart on page 28 for more information.

Cables and Strain Reliefs

Features & Benefits:

- FloTech™ cable is specially produced with tin-plated wire which, when connected correctly using crimp connections, will provide years of trouble-free service.



FT400



FT402

Part #	Description	System Type
FT400	100' of 5 conductor cable	5 wire API optic
FT400-500	500' of 5 conductor cable	5 wire API optic
FT400-1000	1000' of 5 conductor cable	5 wire API optic
FT401	100' of 7 conductor cable	red/black 2 wire ROM type
FT401-150	150' of 7 conductor cable	red/black 2 wire ROM type
FT401-1000	1000' of 7 conductor cable	red/black 2 wire ROM type
FT404	100' of 11 conductor cable	black/white 2 wire Checkmate/Thermistor type
FT404-150	150' of 11 conductor cable	black/white 2 wire Checkmate/Thermistor type
FT404-1000	1000' of 11 conductor cable	black/white 2 wire Checkmate/Thermistor type

Cable Strain Reliefs (Glands)

FT402	20 pc. pack of strain relief fittings, ½" NPT
FT403	30 pc. pack of strain relief fittings, ½" NPT
FT405-500	500 pc. pack of strain relief fittings, ½" NPT

Cable Tools and Supplies

FT9023	professional cable stripping tool
FT9024	professional cable crimping tool
FT9021	100 pc. pack of crimp connectors
FT9022	2.8 oz. tube of GE RTV103 silicone for sealing crimped wire connections
FT9025	100 pc. pack of terminal pins, 14-16 AWG

Overfill Detection

Optic System Testers


Application:	Used to trouble-shoot overfill system circuits.
Standards:	Will work with any optic overfill system.
Materials:	durable plastic case, heavy-duty cable connectors and test leads
Features & Benefits:	The FT520 optic test kit includes a tester and test lead set to test 5 wire optic pulse, 5 wire optic probes, 2 wire optic probes, plug & play optic probes, as well as onboard monitor & socket outputs. It uses the same permissive signal verification as an optic rack monitor. Optional FT521, FT522 and FT523 optic test plugs are available for an entire trailer Go, No/Go test; requires two 9-volt batteries (included).



FT520



FT520WOGA

Note: Due to the very low current used in overfill systems, it is extremely important to use the correct type of cable. The use of other types of cabling often leads to failed overfill systems, due mostly to corroded connections. 

Part #	Description
FT520	Optic system tester, five pc. set of test leads, batteries and instructions
FT520CASE	optional storage case for FT520
FT520WOGA	Optic system tester, with FT521 API optic 6 pin and 3 J-slot plug, batteries and instructions
FT520WOGACASE	optional storage case for FT520WOGA
FT521	API optic test plug, 6 pin and 3 J-slot
FT522	Optic test plug, 6 pins and 2 or 4 J-slot (plug fits both 2 and 4 J-slot sockets)
FT523	Optic test plug J560 type
10622	Plug-n-Play test lead set
FT9037	replacement test lead set for FT520



Biofuel Compatible. See fuel compatibility chart on page 28 for more information.

Fuel Tanker Overfill Detection

FloTech™ Truck Testers

Application:	Allows complete testing of ground bolt grounding systems. Tests ground bolt in forward and reverse, just like the rack monitor.
Features & Benefits:	<ul style="list-style-type: none"> • Reads Trailer Identification Modules and displays the serial number on the screen. • Automatic mode allows all four tests, or any combination thereof, to run for a complete test of the trailer. • LCD screen displays the final test results and a pass/fail indication for easy, rapid testing of the overfill system. • One man "Wet Test" feature FT555 signal an audible alarm sounding a number of beeps that match the wetted sensor. • Microprocessor-controlled designed with the flexibility to expand into a number of applications. • Requires two D-cell batteries that can be changed through a side battery access door.

Part #	Description
FT555PW	automatic tester kit for overfill detection system with English display
FT555PWF	automatic tester kit for overfill detection system with French display



FT555



FT555PA

Overfill Detection

FloTech™ FT590 Series Rack Monitor Testers and Mini Trailer Overfill System

Part #	Description
FT590TG	rack tester with grounding bolt
FT590TGT	rack tester thermistor
FT590OG	rack tester with grounding bolt
FT590OGT	rack tester with grounding bolt and Trailer Identification Module



FT590TG



Biofuel Compatible. See fuel compatibility chart on page 28 for more information.

Fuel Tanker Overfill Detection

API Compatible Loading Rack Cords

Application:	API loading rack cords are used to connect the loading rack monitor to the socket on the fuel tanker.
Standards:	Cord sets are interchangeable with Civacon.
Materials:	Reinforced nylon plugs with stainless steel contact pins and hardware. Heavy-duty and highly visible safety orange cord.
Features & Benefits:	<ul style="list-style-type: none"> • FT600 and FT620 are compatible with API thermistor and optic configurations. • Cords available in coiled or straight lengths. • Cord features a heavy highly, visible safety orange jacket to meet trip hazard requirements. • Cord is bonded mechanically and has superior abrasion and oil resistance. • Plug body is color-coded optic blue or thermistor green. • Button contacts are made from 316 stainless steel to prevent corrosion or galling.

API Optic Cord Assemblies

Part #	Description
FT620	blue plug with 6 contact pins and 3 J-slot, on a 30' coiled blue cable
FT620S	blue plug with 6 contact pins and 3 J-slot, on a 20' straight blue cable
FT620P	blue plug with 6 contact pins and 3 J-slot on a 30' blue coiled cord and 7 pin connector aluminum J560 plug
FT620SP	API Optic plug, aluminum J560 plug w/30 Straight Cable
FT621	replacement blue plug assembly with 6 contact pins and 3 J-slot
FT622	replacement 30' blue coiled cord, Optic 6 conductor
FT623	Optic plug storage hanger
FT624	replacement 20' blue straight cord, Optic 6 conductor



FT620

See pages 188-189 for repair kits and replacement parts.
Please refer to the chart on pages 94-97 for cross references to other manufacturer part numbers.

API Thermistor Cord Assemblies

Part #	Description
FT600	green plug with 8 contact pins and 2 J-slot, on a 30' coiled orange cable
FT600-4	green plug with 8 contact pins and 4 J-slot, on a 30' coiled orange cable
FT600P	green plug with 8 contact pins and 2 J-slot on a 30' orange coiled cord and 13 pin connector nylon J560 plug
FT600P-4	API Thermistor plug, 13 contact pins, J560, 4 J-slot, 8 pin, on a 30' coiled cable
FT600S	green plug with 8 contact pins and 2 J-slot, on a 20' straight orange cable
FT600S-4	API Thermistor plug, 8 contact pins, 4 J-slot, on a 20' straight cable
FT600C	green plug with 10 contact pins and 4 J-slot, on a 30' coiled orange cable
FT600C-2	API Thermistor plug, 2 J-slot, on a 30' cord
FT600CP	green plug with 10 contact pins and 4 J-slot, on a 30' coiled orange cord and 13 pin connector nylon
FT600SC	green plug with 10 contact pins and 4 J-slot, on a 20' straight orange cable
FT601	replacement green plug assembly with 8 contact pins and 2 J-slot
FT601-10	replacement green plug assembly with 10 contact pins and 4 J-slot
FT602	replacement 30' orange coiled cord, Thermistor 10 conductor
FT603	Thermistor plug storage hanger
FT604	replacement 20' orange straight cord, Thermistor 10 conductor
FT606	Thermistor 30' coiled replacement cord (8) pin
FT607	Thermistor 20' straight replacement cord (8) pin



See pages 184-185 for repair kits and replacement parts.
Please refer to the chart on pages 94-97 for cross references to other manufacturer part numbers.

Product instruction sheets and technical data can be viewed on our website at canada.dixonvalve.com.



Biofuel Compatible. See fuel compatibility chart on page 28 for more information.

Fuel Tanker Overfill Detection

FloTech™ Junction Boxes

Application:	FT7500 series junction boxes are designed to provide a convenient, safe and protected point of service for rack cord accessories. When installed correctly, the junction box will protect rack cords from excessive wear and tear, and cord connections from water and corrosion while in harsh environments.
Features & Benefits:	<ul style="list-style-type: none"> • Water-tight construction helps prevents condensation and moisture from causing corrosion on the rack connections. • Twelve-position terminal block for quick replacement of various cord types including optic, thermistor, ground, and deadman cables. • Large internal volume allows ample room for wiring and easy installation. • Mesh cord grip reduces cable strain and prevents cable pull-out. • Integrated cord hook holds the cable while not in use.
Material:	powder coated weather-resistant aluminum



Part #	Description
FT7500	single cord junction box
FT7501	dual cord junction box
FT7502	junction box with yellow 13 pin socket

Junction Box and Cord Assembly Accessories

Part #	Junction Box	Rack Cord	Termination	Length	Cord Color	Cord Type	Conductors	API Plug	
								Color	J Slots
FT7600	FT7500	FT600	flying leads	30'	orange	coiled	8	green	2
FT7600-4	FT7500	FT600-4	flying leads	30'	orange	coiled	8	green	4
FT7600C	FT7500	FT600C	flying leads	30'	orange	coiled	10	green	4
FT7600C-2	FT7500	FT600C-2	flying leads	30'	orange	coiled	10	green	2
FT7600CP	FT7502	FT600CP	yellow 13 pin plug	30'	orange	coiled	10	green	4
FT7600P	FT7502	FT600P	yellow 13 pin plug	30'	orange	coiled	8	green	2
FT7600P-4	FT7502	FT600P-4	yellow 13 pin plug	30'	orange	coiled	8	green	4
FT7600S	FT7500	FT600S	flying leads	20'	orange	straight	8	green	2
FT7600SC	FT7500	FT600SC	flying leads	20'	orange	straight	10	green	4
FT7600SP	FT7502	FT600SP	yellow 13 pin plug	20'	orange	straight	8	green	4
FT7605C	FT7500	FT605C	flying leads	30'	orange	coiled	6	green	4
FT7620	FT7500	FT620	flying leads	30'	blue	coiled	6	blue	3
FT7620P	FT7502	FT620P	metal J560	30'	blue	coiled	6	blue	3
FT7620S	FT7500	FT620S	flying leads	20'	blue	straight	6	blue	3
FT7620SP	FT7502	FT620SP	metal J560	20'	blue	straight	6	blue	3
FT7630	FT7500	FT630	flying leads	30'	blue	coiled	10	black	4
FT7630D	FT7503	FT630D	D connector	30'	blue	coiled	10	black	4
FT7640-3	FT7500	FT640-3	flying leads	30'	blue	coiled	10	black	3
FT7640-4	FT7500	FT640-4	flying leads	30'	blue	coiled	10	black	4

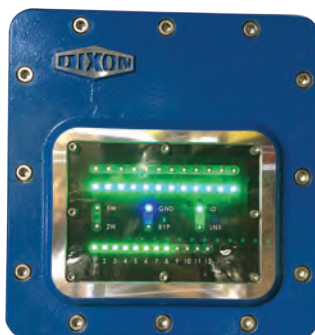
Product instruction sheets and technical data can be viewed on our website at canada.dixonvalve.com.



Biofuel Compatible. See fuel compatibility chart on page 28 for more information.

FloTech™ FT7000 Series Rack Control Monitor

NEW



FT7000

<p>Application:</p>	<p>Overfill prevention, ground verification, trailer identification, data communication. Automatic, continuous and self-checking micro-based control. Per NPFA rules, FT7000 FloTech™ RCM provides secondary overfill protection for the loading of petroleum or chemical liquids into cargo or rail tanks. It is designed for hazardous locations using EXd explosion-proof enclosure and intrinsically safe electronics. FT7000 RCM holds US and international safety approvals and certifications. FloTech™ FT7000 RCM was designed for high reliability with redundant test circuits and output relays. Relay operation is monitored to determine proper operation. FT7000 RCM has the ability for redundant communication of monitor status independent of relay status. Permits can be verified via a digital communication path not dependent on relay status.</p>								
<p>Standards:</p>	<p>Certified to the following standards:</p> <ul style="list-style-type: none"> • CSA C22.2 No. 61010-1-12, No. 30-M1986, No. 157-92, No. 60079-0:11, No. 60079-1:11, No. 60079-11:14 • UL 61010-1, UL 1203, UL 913, UL 60079-0, UL 60079-1, UL 60079-11 • IEC 60079-0, IEC 60079-1, IEC 60079-11, IEC 60529 • EN 60079-0, EN 60079-1, EN 60079-11 								
<p>Material:</p>	<p>explosion-proof IP54 weathertight aluminum powder coated housing</p>								
<p>Features & Benefits:</p>	<p>FT7000 RCM provides robust communication of monitor overfill status, ground verification, trailer identification data and events via RS-485 and Modbus compliant. All function in one unit with the ability to connect through existing TAS or through FloTech™ terminal software.</p> <ul style="list-style-type: none"> • Overfill, ground and trailer identification in one enclosure. • Auto-switching between optic and thermistor (2 wire or 5 wire) sensors. • Compatible with all analog and digital sensors. • Monitor up to (8) 2 wire or (12) 5 wire sensors. • Various plug cord and junction box assemblies compatible with worldwide standards. • Visual display of all functions. <p>Compatibility:</p> <table border="1" data-bbox="423 1528 1466 1801"> <thead> <tr> <th data-bbox="423 1528 938 1560">Sensors</th> <th data-bbox="938 1528 1143 1560">Identification</th> <th data-bbox="1143 1528 1466 1560">Earthing/Ground Devices</th> </tr> </thead> <tbody> <tr> <td data-bbox="423 1560 938 1801"> <ul style="list-style-type: none"> • 5 wire optic sensors; 1-12 sensors • 2 wire black and white thermistor sensors; 1-8 sensors • 2 wire grey-grey universal thermistor sensors; 1-8 sensors • 2 wire analog thermistor sensors; 1-8 sensors • onboard monitors </td> <td data-bbox="938 1560 1143 1801"> <ul style="list-style-type: none"> • trailer identification modules </td> <td data-bbox="1143 1560 1466 1801"> <ul style="list-style-type: none"> • ground bolt/bolt/wire • ground loop/restive bond </td> </tr> </tbody> </table> <p>Note: Not compatible with float type sensors, or 3 wire analog thermistor sensors</p>			Sensors	Identification	Earthing/Ground Devices	<ul style="list-style-type: none"> • 5 wire optic sensors; 1-12 sensors • 2 wire black and white thermistor sensors; 1-8 sensors • 2 wire grey-grey universal thermistor sensors; 1-8 sensors • 2 wire analog thermistor sensors; 1-8 sensors • onboard monitors 	<ul style="list-style-type: none"> • trailer identification modules 	<ul style="list-style-type: none"> • ground bolt/bolt/wire • ground loop/restive bond
Sensors	Identification	Earthing/Ground Devices							
<ul style="list-style-type: none"> • 5 wire optic sensors; 1-12 sensors • 2 wire black and white thermistor sensors; 1-8 sensors • 2 wire grey-grey universal thermistor sensors; 1-8 sensors • 2 wire analog thermistor sensors; 1-8 sensors • onboard monitors 	<ul style="list-style-type: none"> • trailer identification modules 	<ul style="list-style-type: none"> • ground bolt/bolt/wire • ground loop/restive bond 							

Fuel Tanker Overfill Detection

API Rack Cord Assemblies

FloTech™ Part #	Civacon Part #	Scully Part #	API		Cord		J-Slot			Pin			Breakaway Plug	
			Thermistor	Optic	20' Straight	30' Coiled	2	3	4	6	8	10	Optic J560 Aluminum	Thermistor 13 Pin Plastic
FT600	7300SR-7300	21818	✓			✓	✓				✓			
FT600C	7300CSR-7300	31090	✓			✓			✓			✓		
FT600C-2	7300C-7300	---	✓			✓	✓					✓		
FT600P	7320SR-7320	---	✓			✓	✓				✓			✓
FT600S	7300-STRAIGHT	20830	✓		✓		✓				✓			
FT600SC	7300C-STRAIGHT	---	✓		✓				✓			✓		
FT600S-4	---	---	✓		✓				✓		✓			
FT620	7100SR-7100	21831		✓				✓		✓				
FT620P	7100-J560	---		✓				✓		✓			✓	
FT620S	7100-STRAIGHT	21764		✓	✓			✓		✓				

API Rack Cord Parts

FloTech™ Part #	Civacon Part #	Scully Part #	API		Cord		J-Slot			Pin			
			Thermistor	Optic	20' Straight	30' Coiled	2	3	4	6	8	10	
FT601	7310SR-7310	---	✓					✓				✓	
FT603	7350-7350	---	✓							✓			
FT621	7110SR-7110	21766		✓					✓		✓		
FT622	7220-7220	31099		✓			✓		✓				
FT623	7150-7150	---		✓					✓				

Reelcraft® Static Discharge Reels



Application:	Used to ground equipment in hazardous atmospheres, such as fuel trucks or carts transferring flammable materials. When properly clamped to ground, the static discharge reel dissipates static electricity buildup, reducing chances of sparking and the potential for explosion.
Features & Benefits:	<ul style="list-style-type: none"> • Supplied with a 3/32" OD steel aircraft cable. • DC resistance is approximately one ohm per 50' of steel cable.

Part #	Description
G3050	single 7 x 7 stranded steel grounding wire

Fuel Tanker Overfill Detection

FloTech™ Replacement Parts

Part #	Previous Part #	Description	Refer to Page
FT9000	---	sensor housing 2" NPT with parallel ports, complete with all hardware	151
FT9000P	---	Plug-n-Play sensor housing 2" NPT with parallel ports, complete with all hardware	149
FT9001	---	complete sensor housing gasket and O-ring kit	149, 151
FT9002	---	complete sensor housing gasket, O-ring and hardware kit	151
FT9003	---	replacement on-board monitor housing	153, 154
FT9004	---	replacement on-board monitor hardware kit	153, 154
10142	<i>FT9005</i>	replacement on-board bezel 5 wire (FT103)	153
10143	<i>FT9006</i>	replacement on-board bezel 2 wire (FT204)	153
10031	<i>FT9007</i>	replacement socket rear housing	144, 145, 156, 158
FT9008	---	replacement socket contact block with pins FT300 Optic series	143, 158
FT9009	---	replacement socket contact block with pins FT301 Thermistor series	143, 158
FT9010	---	replacement socket contact block with 10 pins FT304 Thermistor series	158
FT9011	---	replacement sensor housing cap with screws and lock washers	149, 151
10128	---	replacement 2" NPT sensor housing lock nut	149, 151
FT9013	---	replacement socket face plate 4 J-slot, no contact block or hardware	143, 158
FT9020	---	socket pin, screw and crimp lug	143, 158
FT9021	---	crimp connector 100 pieces per bag	60
FT9022	---	GE RTV 103 silicone rubber sealant 2.8 oz. tube	60
FT9023	---	stripping tool for cable jacket	60
FT9024	---	crimp tool for splice connections	60
FT9025	---	terminal pin, 14-16 AWG 100 pieces	60
250-G-BU	<i>FT9026, 40090BN</i>	sensor flat gasket for 2" NPT through punched hole in man lid	149, 151
10125	<i>FT9027</i>	sensor housing probe, FKM O-ring	149, 151
FT9029	---	J560 contact block, 7 way	145, 148, 156, 162
FT9030	---	fuse holder with ¼ Amp fuse	153
FT9031	---	fuse holder with ½ Amp fuse	154, 155
10038	<i>FT9032</i>	socket face plate gasket	144, 145, 156, 158

Fuel Tanker Overfill Detection

FloTech™ Replacement Parts (continued)

Part #	Previous Part #	Description	Refer to Page
10183	<i>FT9033</i>	sensor housing, lower no hardware	151
FT9034	---	replacement socket face plate 3 J-slot, no contact block or hardware	143, 158
10459	<i>FT9035</i>	program module for FT204P and FT208	141, 142, 154, 155
FT9036	---	FT208 replacement bezel kit	142, 155
FT9037	---	FT520 test lead set	61
10357	<i>FT9038</i>	fuse ¼ Amp - for FT103	153
10358	<i>FT9039</i>	fuse ½ Amp - for FT208 and FT204	142, 154, 155
FT9040		Checkmate housing with lid	142, 155
10366HC-002	<i>FT9041</i>	replacement 3 J-slot, aluminum socket nose ring	144, 158
10366HC-001	<i>FT9042</i>	replacement 4 J-slot, aluminum socket nose ring	144, 158
10366SS-002	<i>FT9043</i>	replacement 3 J-slot, stainless steel socket nose ring	141, 144, 146, 148, 158, 160, 162
10366SS-001	<i>FT9044</i>	replacement 4 J-slot, stainless steel socket nose ring	141, 144, 146, 148, 158, 160, 162
10432NP	<i>FT9045</i>	replacement gasket for the FT208 series Checkmate lid	142, 155, 141
FT9046	---	bag of 10 replacement socket pins	143, 158
10126	<i>FT9049</i>	sensor cap O-ring	149, 151
10347	<i>FT9050</i>	threaded half coupling ½" for retain probe	150, 152
FT9051	---	replacement short contact block for FT390/393 Optic 6 pin	141, 146, 147
FT9052	---	replacement short contact block for FT390/393 Thermistor, 10 pin	141, 146, 147
10131	<i>FT9053</i>	replacement gasket for bezel on monitors FT103/204P	153, 154
10470AL	<i>FT9054</i>	replacement lid frame for monitors FT103/204P	153, 154
FT9059	---	replacement face plate and bezel assembly for FT204P	154
10368SS	<i>FT9061</i>	replacement contact pin for FT390/393 series socket	141, 144, 146, 148, 158, 160
FT9062	---	nose ring assembly, Thermistor, 4 J-slot, 10 Pin contact block, pin, and hardware for FT390 & FT393	141, 146, 147, 160
FT9063	---	nose ring assembly, optic, 3 J-slot, 6 pin contact block, pin, and hardware for FT390 & FT393	141, 146, 147, 160
FT9064	---	bezel for FT203P-SPEC	154
FT9065	---	bezel gasket for FT203P-SPEC	154
FT9068	---	replacement contact block attachment screws and washers (4 each)	141, 143, 146, 147, 150, 152, 158, 160, 162

Fuel Tanker Overfill Detection

Competitor Cross Reference Chart Liquid Level Sensors

FloTech™ Part #	Civacon Part #	Scully Part #	Description
FT100	1302-007	9209	Replacement probe, optic, 5-wire, 7" long
FT100-12	1302-0012	9214	Replacement probe, optic, 5-wire, 12" long
FT100-18	1302-0018	---	Replacement probe, optic, 5-wire, 18" long
FT100S	1410RS-0060	---	Replacement stainless steel probe, optic, 5-wire, 7" long
FT101	1112-007 / 1110-007	9208	Sensor, optic, 5-wire, 2" NPT housing, 7" probe
FT101-12	1112-0012 / 1110-0012	9213	Sensor, optic, 5-wire, 2" NPT housing with 12" probe
FT101-18	1112-0018 / 1110-0018	---	Sensor, optic, 5-wire, 2" NPT housing with 18" probe
FT150	1651-007	9409	Replacement probe, thermo-optic, 7" long, 2-wire (black & white)
FT150-12	1651-0012	9414	Replacement probe, thermo-optic, 12" long, 2-wire (black & white)
FT150-18	1651-0018	---	Replacement probe, thermo-optic, 18" long, 2-wire (black & white)
FT151	1551-007	9408	Sensor, thermo-optic, 2" NPT housing, 7" probe, 2-wire (black & white)
FT151-12	1551-0012	9413	Sensor, thermo-optic, 2" NPT housing, 12" probe, 2-wire (black & white)
FT151-18	1551-0018	---	Sensor, thermo-optic, 2" NPT housing, 18" probe, 2-wire (black & white)
FT151RL	1554-007	---	Sensor, ROM Link™ replacement thermo-optic, 2" NPT housing, 7" probe, 2-wire (black & white)
FT151RL-12	1554-012	---	Sensor, ROM Link™ replacement thermo-optic, 2" NPT housing, 12" probe, 2-wire (black & white)
FT152	---	8819	Thermo optic retain sensor (black & white)
FT155	1920-5	08298 & 08542	Thermistor dummy, 5 compartment
FT201	1351-007	---	Replacement ROM type, 7" top probe, 2-wire (red & black)
FT201-12	1351-0012	---	Replacement ROM type, 12" top probe, 2-wire (red & black)
FT201-18	1351-0018	---	Replacement ROM type, 18" top probe, 2-wire (red & black)
FT202	1057-007	---	Top sensor ROM type, 2" NPT housing, 7" probe, 2-wire (red & black)
FT202-12	1057-0012	---	Top sensor ROM type, 2" NPT housing, 12" probe, 2-wire (red & black)
FT202-18	1057-0018	---	Top sensor ROM type, 2" NPT housing, 18" probe, 2-wire (red & black)
FT206	1000R & 1001R	---	Retain sensor ROM type, 1/2" NPT sensor (red & black)
FT9000	1355-1355 & 1455-1455	---	Probe housing

Onboard Monitors

FloTech™ Part #	Civacon Part #	Scully Part #	Description
FT102	3150-3150	8563	Replacement module API compatible
FT103	3100-3100	8687	API compatible on-board monitor with housing
FT203P	3252-3252	---	Replacement module, ROM type on-board monitor
FT203PSPEC	3250 & 3252	---	Replacement module, ROM type on-board monitor with 8 hole cover and frame
FT204P	3202-3202 & 3202R-3202	---	ROM type on-board monitor with housing
FT207	---	09100, 09111, 09584, 09585	Replacement module, Checkmate on-board monitor
FT208	---	09109, 09107, 09562, 09566	Checkmate programmable monitor for top, or top and bottom sensors

Civacon and ROM Link are registered trademarks of Civacon / Dover Corporation

Fuel Tanker Overfill Detection

Competitor Cross Reference Chart (continued) Sockets

FloTech™ Part #	Civacon Part #	Scully Part #	Description
FT300	4103-4103	7974	API compatible optic socket with cap (6 pin, 3 J-slot)
FT301	4400-4400	7720	API compatible thermistor socket with cap (8 pin, 2/4 J-slot)
FT302	4600-4600	8116	API compatible float socket
FT303	4201-4201	7976	Optic pattern with thermistor J-slot and cap (6 pin, 2/4 J-slot) (U.S.)
FT304	4403-4403	7716	Canadian/European thermistor socket with cap (10 pin, 4 J-slot)
FT305	4500-4500	7681	Thermistor socket, J560 type
FT306	4300-4300	8199	Optic socket, J560 type
FT307	4201-4201	7976	Optic pattern with thermistor J-slot and cap (6 pin, 2/4 J-slot) (Canada)
FT310	4110-4110	21790	API optic face plate assembly with cap
FT311	4111-4111	20770	API thermistor face plate assembly with cap
FT314	---	20768	Canadian/European thermistor replacement face plate with cap
FT320	4150-4150	8575	Blue optic dust cap
FT321	4450-4450	8474	Green thermistor dust cap
FT390	4820L & 4820R	9060	EZ-Cept dual socket assembly
FT390G	4822L & 4822R	---	EZ-Cept dual socket assembly with ground bolt

Hardware and System Testers

FloTech™ Part #	Civacon Part #	Scully Part #	Description
FT400	2100-2100	22056	5 conductor cable 100'
FT400-500	2200-2200	---	5 conductor cable 500'
FT401	2310-2310	27382	7 conductor cable 100'
FT401-1000	2401-2401	---	7 conductor cable 1000'
FT401-150	2300-2300	---	7 conductor cable 150'
FT402	2510-2510	---	20 strain relief fittings, 1/2" NPT
FT403	2530-2530	---	30 strain relief fittings, 1/2" NPT
FT450	GS1000	8560	Stainless steel grounding bolt
FT451	---	8274	Stainless steel grounding ball
FT470	---	08836	Trailer identification module
FT520	1391-1391	---	Optic system tester
FT521	1396-1396	---	API optic test plug, 6 pins & 3 J-slot
FT522	1395-1395	---	Optic test plug, 6 pins and 2 or 4 J-slot (plug fits both 2 & 4 J-slot sockets)
FT523	1397-1397	---	Optic test plug J560 type
FT555	---	08938	Truck tester

API Rack Cords

FloTech™ Part #	Civacon Part #	Scully Part #	Description
API Optic Cord Assemblies			
FT620	7100SR-7100	21831	Blue plug with 6 contact pins and 3 J-slot, on a 30' coiled orange cable
FT620S	7100-STRAIGHT	21764	Blue plug with 6 contact pins and 3 J-slot, on a 20' straight orange cable
FT620P	7100-J560	---	Blue plug with 6 contact pins and 3 J-slot on a 30' orange coiled cord and J560 Plug
FT621	7110SR-7110	21766	Replacement blue plug assembly with 6 contact pins and 3 J-slot
FT622	7220-7220	31099	Replacement 30' orange coiled cord, Optic 6 conductor
FT623	7150-7150	---	Optic plug storage hanger
FT624	---	31098	Replacement 20' orange straight cord, Optic 6 conductor
API Thermistor Cord Assemblies			
FT600	7300SR-7300	21818	Green plug with 8 contact pins and 2 J-slot, on a 30' coiled orange cable
FT600P	7320SR-7320	---	Green plug with 8 contact pins and 2 J-slot on a 30' orange coiled cord and 13 pin connector
FT600S	7300-STRAIGHT	20830	Green plug with 8 contact pins and 2 J-slot, on a 20' straight orange cable
FT600C	7300CSR-7300	31092	Green plug with 10 contact pins and 4 J-slot, on a 30' coiled orange cable
FT600SC	7300C-STRAIGHT	---	Green plug with 10 contact pins and 4 J-slot, on a 20' straight orange cable
FT601	7310SR-7310	20769	Replacement green plug assembly with 8 contact pins and 2 J-slot
FT601-4	---	---	Replacement green plug assembly with 8 contact pins and 4 J-slot
FT601-10	---	8959	Replacement green plug assembly with 10 contact pins and 4 J-slot
FT602	---	31097	Replacement 30' orange coiled cord, Thermistor 10 conductor
FT603	7350-7350	---	Thermistor plug storage hanger
FT604	---	20834	Replacement 20' orange straight cord, Thermistor 10 conductor

Civacon and ROM Link are registered trademarks of Civacon / Dover Corporation

Fuel Tanker Overfill Detection

Competitor Cross Reference Chart (continued)

Onboard Systems

FloTech™ Part #	Civacon Part #	Scully Part #	Description
FT1001	2001-2001	08328L1	API compatible 1 compartment system 7" probes
FT1001-12	2001S-0012	---	API compatible 1 compartment system 12" probes
FT1002	2002-2002	---	API compatible 2 compartment system 7" probes
FT1002-12	2002S-0012	---	API compatible 2 compartment system 12" probes
FT1003	2003-2003	---	API compatible 3 compartment system 7" probes
FT1003-12	2003S-0012	---	API compatible 3 compartment system 12" probes
FT1004	2004-2004	8305	API compatible 4 compartment system 7" probes
FT1004-12	2004S-0012	---	API compatible 4 compartment system 12" probes
FT1005	2005-2005	8306	API compatible 5 compartment system 7" probes
FT1005-12	2005S-0012	---	API compatible 5 compartment system 12" probes
FT1006	2006-2006	---	API compatible 6 compartment system 7" probes
FT1006-12	2006S-0012	---	API compatible 6 compartment system 12" probes
FT2001	3021-3021	---	ROM type, 1 compartment system, overfill & retain, 7" probes
FT2001-12	3021S-0012	---	ROM type, 1 compartment system, overfill & retain, 12" probes
FT2002	3022-3022	---	ROM type, 2 compartment system, overfill & retain, 7" probes
FT2002-12	3022S-0012	---	ROM type, 2 compartment system, overfill & retain, 12" probes
FT2003	3023-3023	---	ROM type, 3 compartment system, overfill & retain, 7" probes
FT2003-12	3023S-0012	---	ROM type, 3 compartment system, overfill & retain, 12" probes
FT2004	3024-3024	---	ROM type, 4 compartment system, overfill & retain, 7" probes
FT2004-12	3024S-0012	---	ROM type, 4 compartment system, overfill & retain, 12" probes
FT2005	3025-3025	---	ROM type, 5 compartment system, overfill & retain, 7" probes
FT2005-12	3025S-0012	---	ROM type, 5 compartment system, overfill & retain, 12" probes
FT2006	3026-3026	---	ROM type, 6 compartment system, overfill & retain, 7" probes
FT2006-12	3026S-0011	---	ROM type, 6 compartment system, overfill & retain, 12" probes
FT2101	3031-3031	---	ROM type, 1 compartment system, overfill only, 7" probes
FT2101-12	3031S-0012	---	ROM type, 1 compartment system, overfill only, 12" probes
FT2102	3032-3032	---	ROM type, 2 compartment system, overfill only, 7" probes
FT2102-12	3032S-0012	---	ROM type, 2 compartment system, overfill only, 12" probes
FT2103	3033-3033	---	ROM type, 3 compartment system, overfill only, 7" probes
FT2103-12	3033S-0012	---	ROM type, 3 compartment system, overfill only, 12" probes
FT2104	3034-3034	---	ROM type, 4 compartment system, overfill only, 7" probes
FT2104-12	3034S-0012	---	ROM type, 4 compartment system, overfill only, 12" probes
FT2105	3035-3035	---	ROM type, 5 compartment system, overfill only, 7" probes
FT2105-12	3035S-0012	---	ROM type, 5 compartment system, overfill only, 12" probes
FT2106	3036-3036	---	ROM type, 6 compartment system, overfill only, 7" probes
FT2106-12	3036S-0012	---	ROM type, 6 compartment system, overfill only, 12" probes

Fuel Tanker Overfill Detection

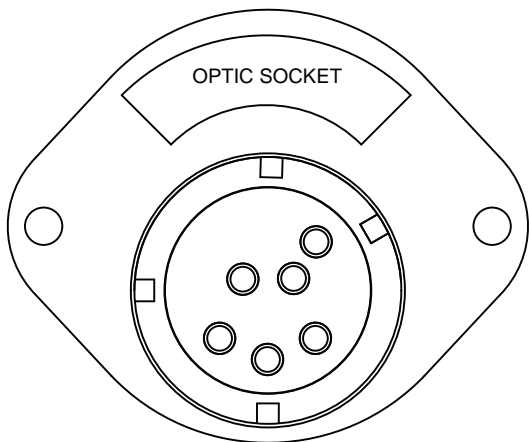
Competitor Cross Reference Chart (continued)

Onboard Systems

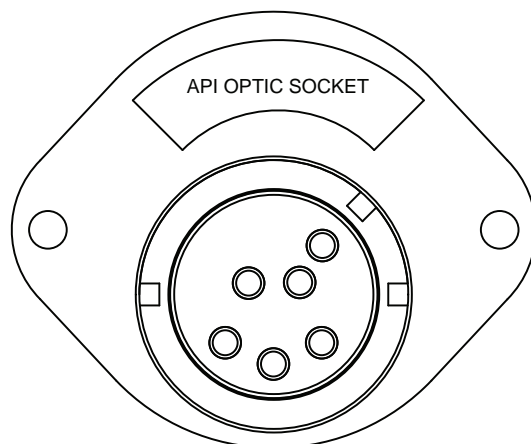
FloTech™ Part #	Civacon Part #	Scully Part #	Description
FT2801	---	08251, 09640	Checkmate system, 1 compartment system, overfill only, 7" probes
FT2802	---	08352, 09641	Checkmate system, 2 compartment system, overfill only, 7" probes
FT2803	---	08352,09642	Checkmate system, 3 compartment system, overfill only, 7" probes
FT2804	---	08354, 09643	Checkmate system, 4 compartment system, overfill only, 7" probes
FT2805	---	08355, 09644	Checkmate system, 5 compartment system, overfill only, 7" probes
FT2806	---	08356	Checkmate system, 6 compartment system, overfill only, 7" probes
FT2807	---	08380	Checkmate system, 7 compartment system, overfill only, 7" probes
FT2808	---	08381	Checkmate system, 8 compartment system, overfill only, 7" probes
FT2811	---	08361	Checkmate system, 1 compartment system, overfill & retain, 7" probes
FT2812	---	08362	Checkmate system, 2 compartment system, overfill & retain, 7" probes
FT2813	---	03363	Checkmate system, 3 compartment system, overfill & retain, 7" probes
FT2814	---	08364	Checkmate system, 4 compartment system, overfill & retain, 7" probes
FT2815	---	08365	Checkmate system, 5 compartment system, overfill & retain, 7" probes
FT2816	---	08366	Checkmate system, 6 compartment system, overfill & retain, 7" probes
FT2817	---	08382	Checkmate system, 7 compartment system, overfill & retain, 7" probes
FT2818	---	08383	Checkmate system, 8 compartment system, overfill & retain, 7" probes

Fuel Tanker Overfill Detection

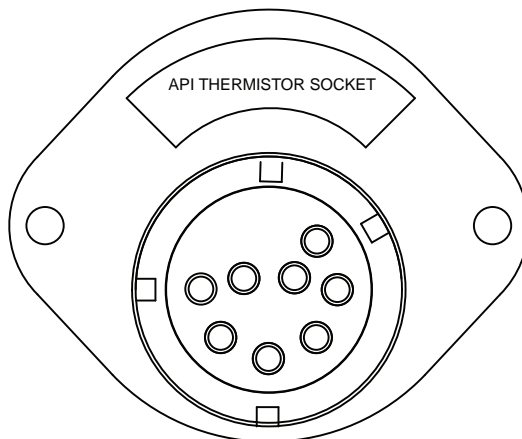
Socket Profiles



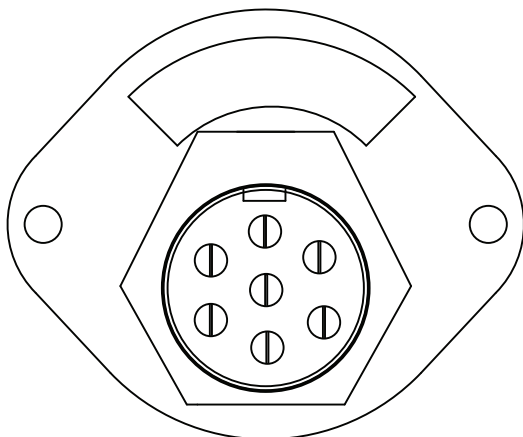
FT303 Optic socket (U.S.)
FT313 Replacement faceplate
FT307 Optic socket (Eastern Canada)
FT317 Replacement faceplate



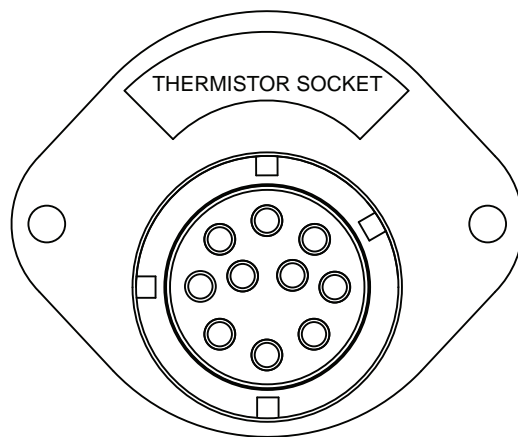
FT300 API optic socket (U.S.)
FT310 Replacement faceplate



FT301 API Thermistor socket (U.S.)
FT311 Replacement faceplate assembly



FT302 Float J560 socket (U.S.)
FT312 Replacement faceplate float J560 socket
FT305 Thermistor J560 socket (U.S.)
FT315 Replacement faceplate Thermistor J560 socket
FT306 Optic J560 socket (western Canada)
FT316 Replacement faceplate optic J560 socket

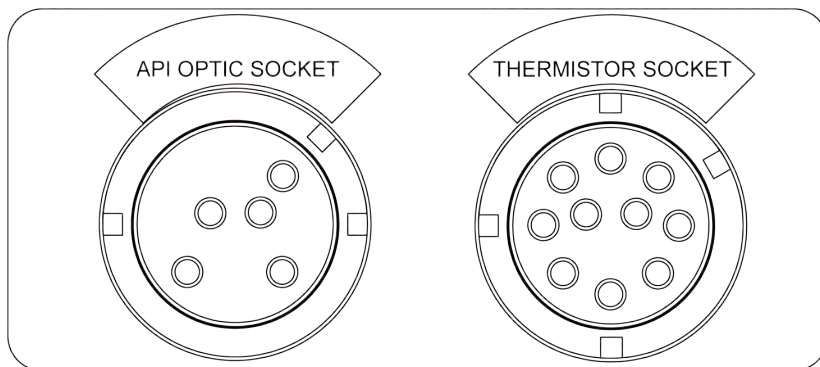


FT304 Thermistor socket (Canada)
FT314 Replacement faceplate

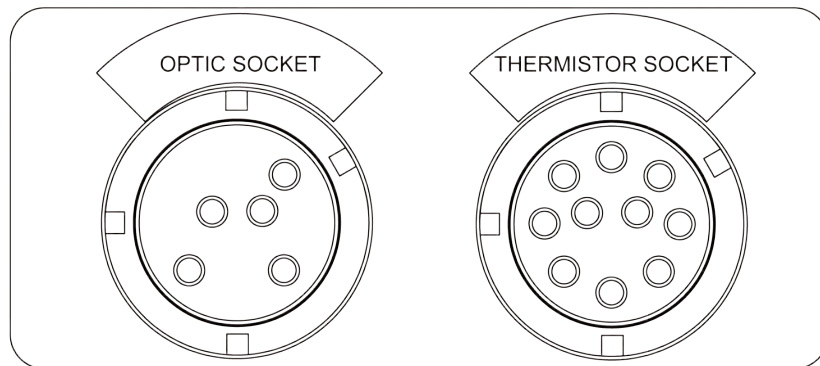
Overfill Detection

Fuel Tanker Overfill Detection

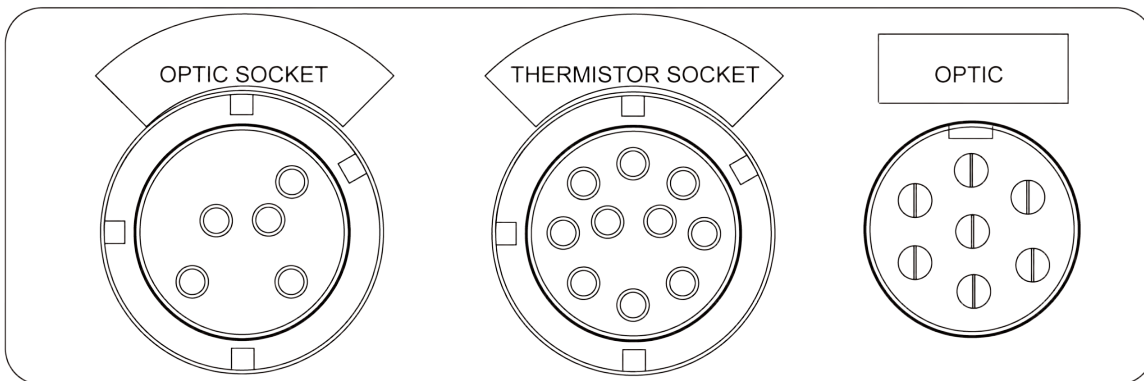
Socket Profiles



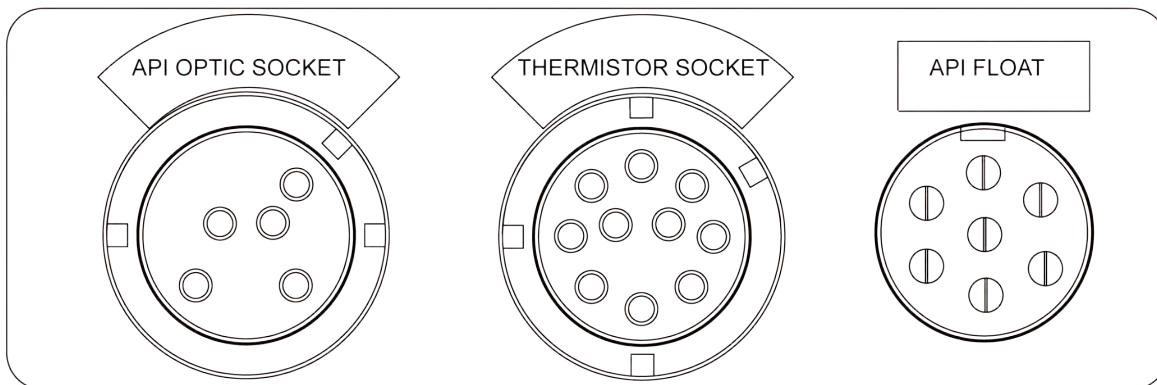
FT390 Dual socket (U.S.)



FT391 Dual socket (Canada)



FT395 Triple socket (Canada)



FT393 Triple socket (U.S.)

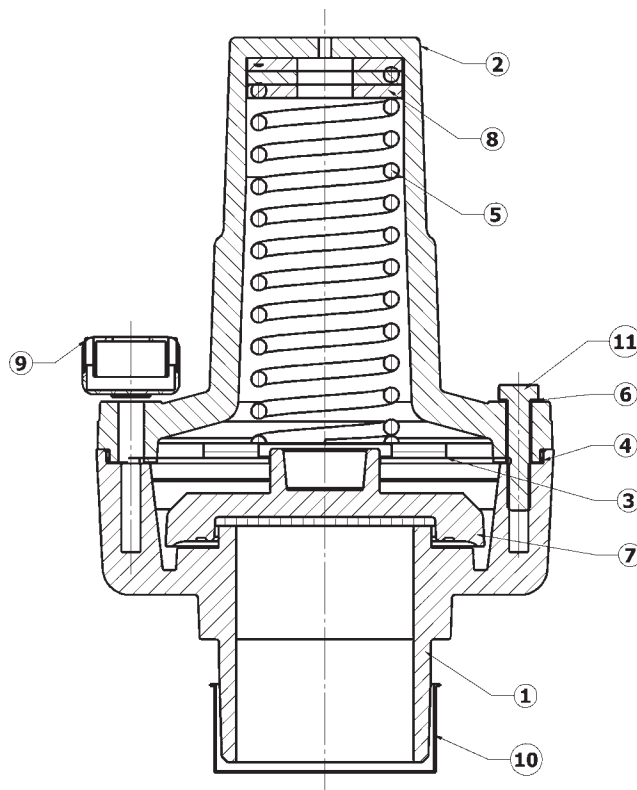
Overfill Detection

Products for Blowers

2182 Blower 2" Air Relief Valves

Bill of Materials

Item #	Description	Qty
1	vent cowl	1
2	top body	1
3	valve seat	1
4	diaphragm	1
5	spring	1
6	lock washer	4
7	valve plate	1
8	spacer	---
9	cup seal	1
10	cap	1
11	body bolt	4



Repair Kits

Part #	Description	Includes Item #
2182RK15	2182 repair kit, 15 PSI spring (+2/-0 PSI tolerance), spring seat, diaphragm, valve plate, bolts, lock washers, tamper-proof seal and valve label	3, 4, 5, 6, 8, 9, 10
2182RK18	2180/18 repair kit, 18 PSI spring (+2/-0 PSI tolerance), spring seat, diaphragm, valve plate, bolts, lock washers, tamper-proof seal and valve label	3, 4, 5, 6, 8, 9, 10

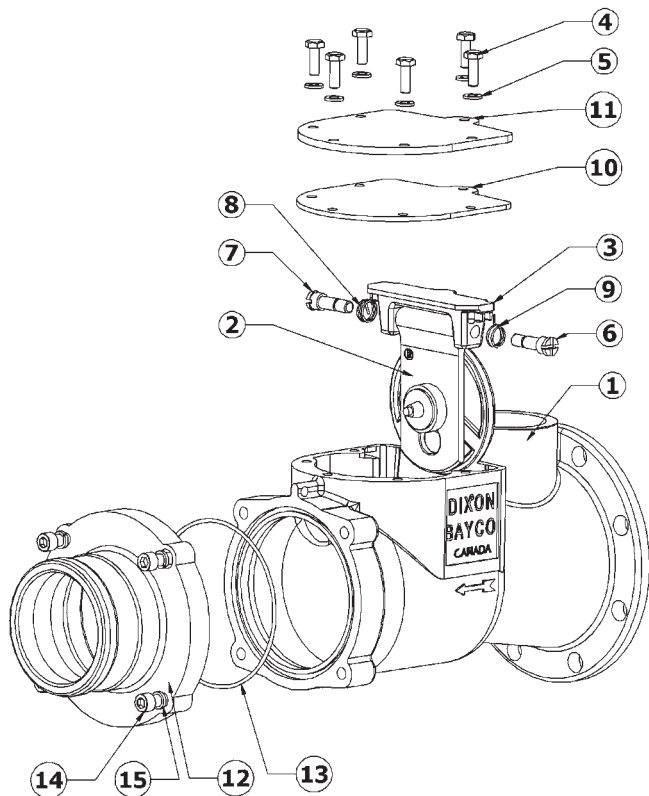


Disassembly, tampering or modifications will void the product warranty and could result in personal injury or death and extensive property damage.

Dry Bulk
Replacement Parts

Products for Blowers

High Flow Blower Swing Check Manifold Valves 3090 Series TTMA Flange x Adapter



Bill of Materials

Item #	Description	Part No.	Qty
1	swing check manifold body	---	1
2A	valve flapper assembly silicone seal (3090M, 3090MA, 3090MB and 3090F)	use kit 3090RK2	1
2B	valve flapper assembly metal seal (3091MA)	use kit 3091RK2	1
3	flapper valve yoke	341595	1
4	bolt	use kit 3030HK	6
5	lock washer	use kit 3030HK	6
6	left hand shaft	390799	1
7	right hand shaft	390798	1
8	right hand spring	use kit 3030RK3	1
9	left hand spring	use kit 3030RK3	1
10	cover gasket silicone	112257	1
11	cover	341611	1
12A	3" adapter outlet (for 3090MA; 3090MAS and 3091MA, includes items 14 and 15)	6000-16	1
12B	4" adapter outlet (for 3090MB, and 3090MBS; includes items 14 and 15)	6000-17	1
12C	4" FNPT outlet (for 3090F)	6000-20	1
13	adapter outlet O-ring	3090RK1	1
14	adapter outlet hex bolt	use kit 6000NPHK	4
15	adapter outlet lock washer	use kit 6000NPHK	4

Dry Bulk
Replacement Parts

Repair Kits

Part #	Description	Includes Item #
3090RK1	adapter outlet O-ring	13
3091RK2	replacement metal seal flapper kit, flapper assembly, yoke, springs, shafts, cover gasket (for 3091MA)	2B, 3, 6, 7, 8, 9, 10
3090RK2	complete rebuild kit, silicone flapper assembly, yoke, springs, shafts, cover gasket, bolts and lock washers (for 3090M, 3090MA, 3090MB and 3090F)	2A, 3, 4, 5, 6, 7, 8, 9, 10
3091RK1	complete rebuild kit, metal seat flapper assembly, yoke, springs, shafts, cover gasket, bolts and lock washers (for 3091MA)	2B, 3, 4, 5, 6, 7, 8, 9, 10
3030HK	replacement cover bolts and lock washers	4, 5
3030RK3	replacement left and right springs	8, 9
3030SK	optional anti-tamper security kit for swing check lid, two security bolts and wire seal	not illustrated
6000NPHK	outlet bolts and lock washers	14, 15

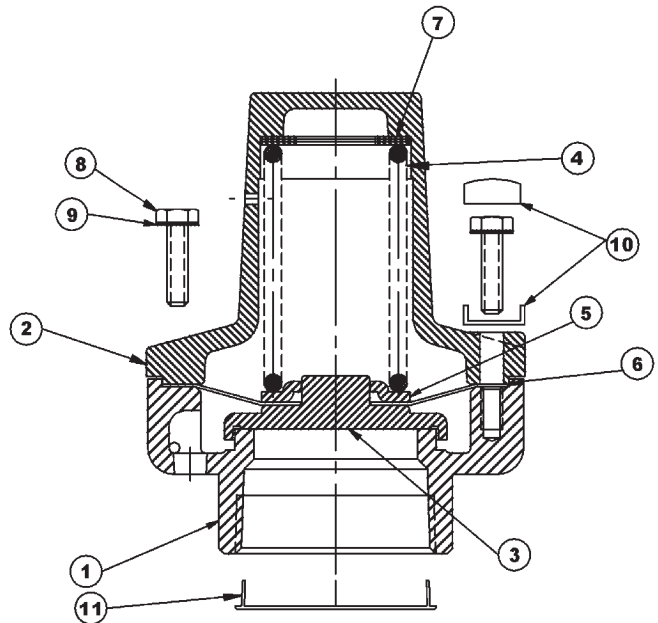
Products for Blowers

2180 Series 2" Air Relief Valves Models 2180 and A2180

Bill of Materials

Item #	Description	Qty
1	vent cowl	1
2	top body	1
3	valve	1
4	spring	1
5	valve seat	1
6	diaphragm	1
7	spacers	---
8	body bolt	4
9	body bolt washer	4
10	cup seal	1
11	plug	1

- Only 15 PSI and 18 PSI repair kits are available (below); all valves of other pressure settings must be returned to Dixon® for rebuilding.



The detailed instructions enclosed with each repair kit must be followed. Failure to comply with these instructions - including disassembly, tampering or modifications using processes and parts not described in these instructions or supplied with this rebuild kit - will void the product warranty and could result in personal injury or death and extensive property damage.

Repair Kits

Part #	Description	Includes Item #
218RK15	2182 repair kit, 15 PSI spring (+2/-0 PSI tolerance), spring seat, diaphragm, valve plate, bolts, lock washers, tamper-proof seal and valve label	3, 4, 5, 6, 8, 9, 10
218RK18	2180/18 repair kit, 18 PSI spring (+2/-0 PSI tolerance), spring seat, diaphragm, valve plate, bolts, lock washers, tamper-proof seal and valve label	3, 4, 5, 6, 8, 9, 10

Repair kits fit the 2180 series (non-adjustable) relief valves with female NPT, grooved and cam and groove adapter ends (not for use in the adjustable 2180 series).

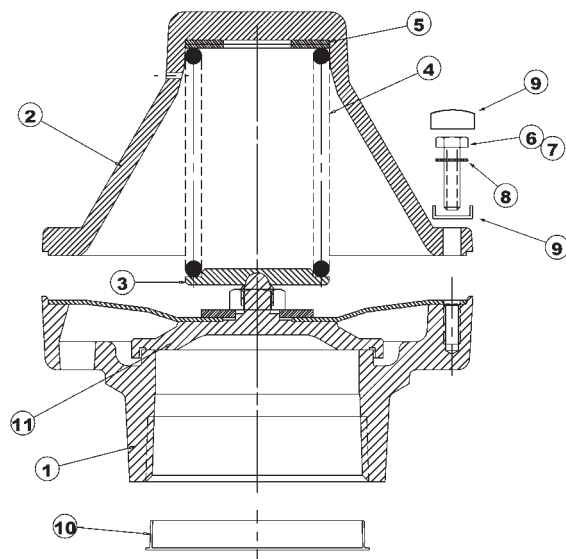
Dry Bulk Replacement Parts

3180 Series 3" Air Relief Valves

Bill of Materials

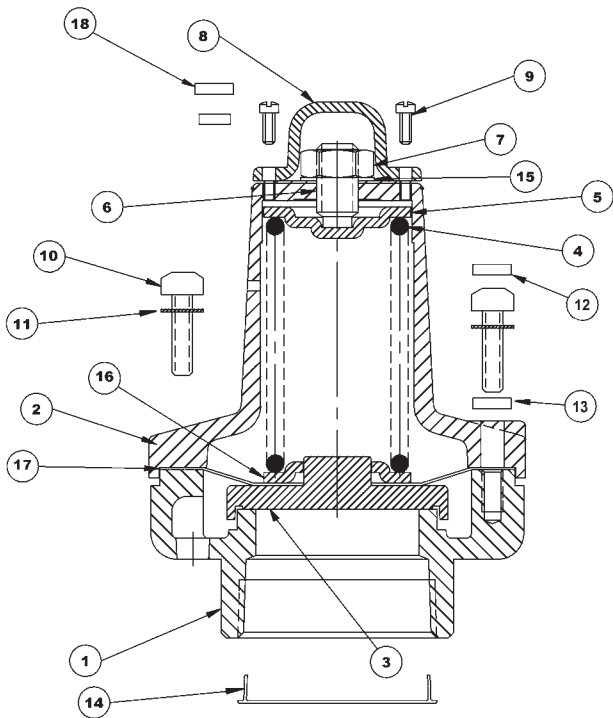
Item #	Description	Qty
1	bottom cowl	1
2	cover	1
3	spring seat	1
4	spring	1
5	set washer	1
6	hex screw	2
7	drilled screw	2
8	lock washer	4
9	cup seal	1
10	plug	1
11	valve sub-assembly	1

- Repair kits are not available. All 3180 and A3180 relief valves must be returned to Dixon® for rebuilding.
- Disassembly, tampering or modifications will void the product warranty and could result in personal injury or death and extensive property damage.




Products for Blowers

2" and 3" Adjustable Air Relief Valves Models A2180ADJ and A3180ADJ

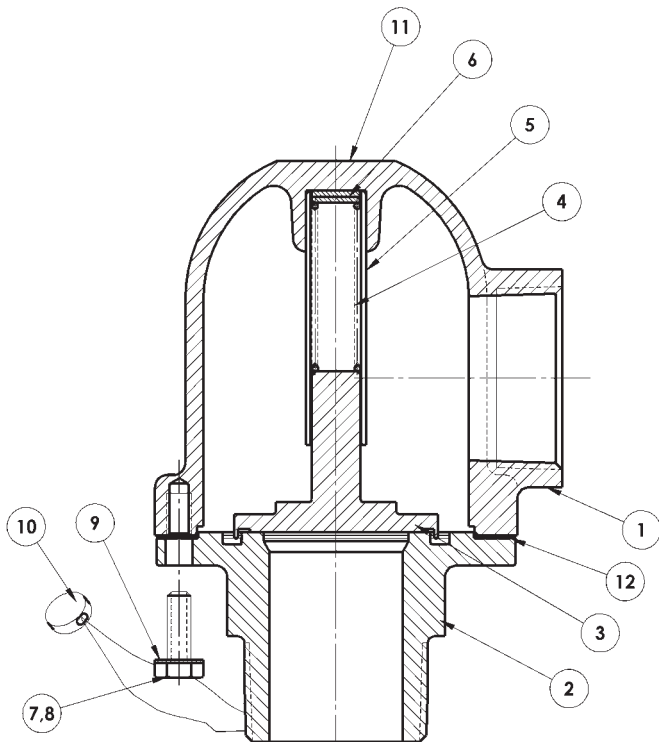


Bill of Materials

Item #	Description	Qty
1	vent cowl	1
2	top body	1
3	valve	1
4	spring	1
5	spring plate	1
6	adjustable screw	1
7	lock nut	1
8	adjustment cap	1
9	cap screw	2
10	body screw	4
11	body screw lock washer	4
12	cup seal top	1
13	cup seal bottom	1
14	plug	1
15	lock washer	1
16	spring seat	1
17	diaphragm	1
18	cap screw cup seal	1


- Repair kits are not available. All adjustable relief valves must be returned to Dixon® for rebuilding.
- Disassembly, tampering or modifications will void the product warranty and could result in personal injury or death and extensive property damage. 

1120 Series 1½" Vacuum Relief Valves



Bill of Materials

Item #	Description	Qty
1	cover	1
2	bottom	1
3	valve	1
4	spring	1
5	stem guide	1
6	spacer	2
7	drilled screw	2
8	screw	2
9	lock washer	4
10	cup seal	1
11	label	1
12	gasket	1

- Repair kits are not available. All 1120 relief valves must be returned to Dixon® for rebuilding.
- Disassembly, tampering or modifications will void the product warranty and could result in personal injury or death and extensive property damage. 

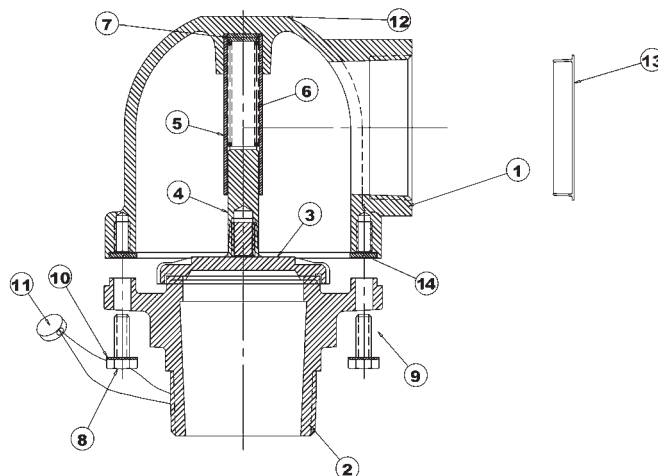
Dry Bulk
Replacement Parts

Trailer/Tank Mounted Air Relief Valves

2120 Series 2" Vacuum Relief Valves

Bill of Materials

Item #	Description	Qty
1	cover	1
2	bottom	1
3	valve	1
4	valve stem	1
5	valve guide	1
6	spring	1
7	set washer	2
8	drilled screw	2
9	screw	2
10	lock washer	4
11	cup seal	1
12	label	1
13	thread plug	1
14	gasket	1



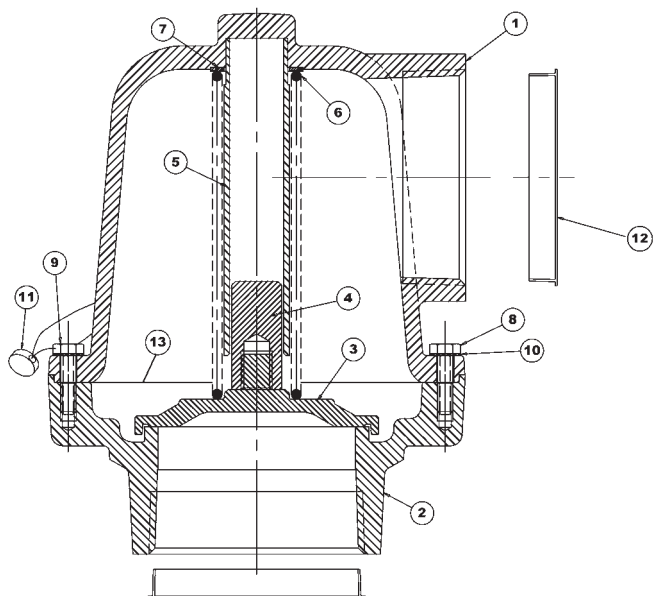
- Repair kits are not available. All 2120 relief valves must be returned to Dixon® for rebuilding.
- Disassembly, tampering or modifications will void the product warranty and could result in personal injury or death and extensive property damage.



3120 Series 3" Vacuum Relief Valves

Bill of Materials

Item #	Description	Qty
1	top cover	1
2	bottom body	1
3	valve	1
4	valve stem	1
5	stem guide	1
6	spring	1
7	set washer	3
8	screw	4
9	drilled screw	2
10	lock washer	6
11	cup seal	1
12	thread plug	2
13	gasket	1



Dry Bulk
Replacement Parts

- Repair kits are not available. All 3120 relief valves must be returned to Dixon® for rebuilding.
- Disassembly, tampering or modifications will void the product warranty and could result in personal injury or death and extensive property damage.

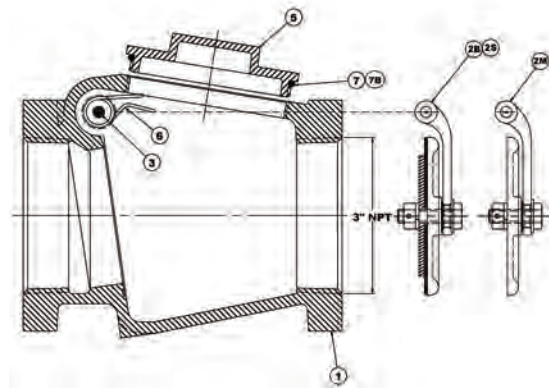
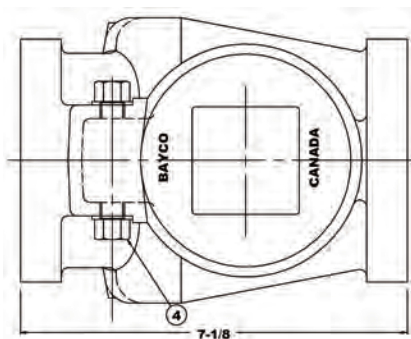


Cam and Groove In-Line Sight Glass

Replacement Parts

Part #	Description	3544CA	3543CA	3534CA	3533CA	3544CC	3543CC	3533CC	3544AA	3534AA	3533AA
6000-24	3" adapter end	N/A	1	N/A	1	N/A	N/A	N/A	N/A	N/A	1
341351	3" adapter end with threaded bolt holes	N/A	N/A	N/A	N/A	N/A	N/A	N/A	N/A	1	1
6000-18	4" adapter end	1	N/A	1	N/A	N/A	N/A	N/A	2	1	N/A
6000-23	3" coupler end	N/A	N/A	1	1	N/A	1	2	N/A	N/A	N/A
6000-19	4" coupler end	1	1	N/A	N/A	2	1	N/A	N/A	N/A	N/A
6400SGK	replacement sight glass kit (2 Buna O-rings and acrylic sight glass)	1	1	1	1	1	1	1	1	1	1
6544CA-1	sight glass spacers	4	4	4	4	4	4	4	4	4	4
AS156	Buna O-ring for sight glass	2	2	2	2	2	2	2	2	2	2
SC5-16-18X2.5P	bolts 5/16" x 2 1/2"	N/A	N/A	N/A	N/A	N/A	N/A	N/A	4	4	4
SC5-16-18X2.75P	bolts 5/16" x 2 3/4"	4	4	4	4	4	4	4	N/A	N/A	N/A
110978	hex nut 5/16"	4	4	4	4	4	4	4	N/A	N/A	N/A
111430	helicoil nut 5/16"	N/A	N/A	N/A	N/A	N/A	N/A	N/A	4	N/A	N/A
110977	lock washer (for nut end of bolt)	4	4	4	4	4	4	4	N/A	N/A	N/A

Bayco Classic 3000 Series 3" Swing Check Valves 3000 Threaded and 3001 Square Flange Units



Dry Bulk Replacement Parts

Bill of Materials

Item #	Description	Part #	Qty
1	swing check body	---	1
2M	valve flapper assembly with metal seal	use kit 300-SPK	1
2B	valve flapper assembly with Buna seal	use kit 300-BSPK	1
2S	valve flapper assembly with silicone seal	use kit 300-SSPK	1
3	shaft	3000-4	1
4	shaft nut	3000-5	2
5	clean out cap	363000-10	1
6	spring (for units with spring return flapper)	SPRG/L4603	1
7	clean out cap O-ring seal	O-RINGAS238	1
7B	clean out cap O-ring silicone	112254	1

Repair Kits

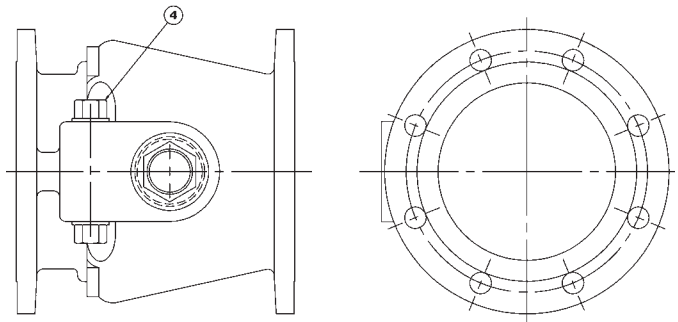
Part #	Description	Includes Item #
300-SSPK	silicone seal flapper assembly, shaft, nuts, flapper spring and clean out cap O-ring seal	2S, 3, 4, 6, 7B
300-SK	silicone seal flapper assembly, shaft, nuts and clean out cap O-ring seal	2S, 3, 4, 7B
300-BSPK	Buna seal flapper assembly, shaft, nuts, flapper spring and clean out cap O-ring seal	2B, 3, 4, 6, 7B
300-BK	Buna seal flapper assembly, shaft, nuts and clean out cap O-ring seal	2B, 3, 4, 7B
300-SPK	metal seal flapper assembly, shaft, nuts, flapper spring and clean out cap O-ring seal	2M, 3, 4, 6, 7B
300-K	metal seal flapper assembly, shaft, nuts and clean out cap O-ring seal	2M, 3, 4, 7B

Swing Check Valves

Bayco Classic 3000 Series 3" Swing Check Valves 3000 Round Flange Units

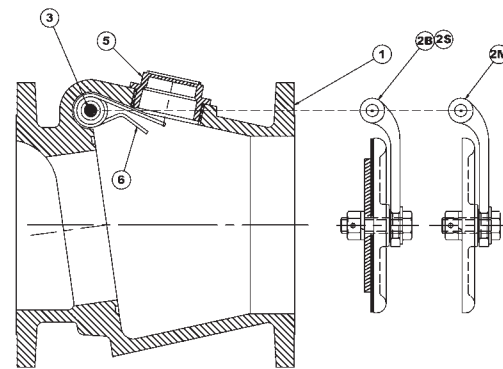
Bill of Materials

Item #	Description	Part #	Qty
1	swing check body	---	1
2M	valve flapper assembly with metal seal	use kit 300-SPK	1
2B	valve flapper assembly with Buna seal	use kit 300-BSPK	1
2S	valve flapper assembly with silicone seal	use kit 300-SSPK	1
3	shaft	3000-4	1
4	shaft nut	3000-5	2
5	clean out cap	3000CAP	1
6	spring (for units with spring return flapper)	SPRG/L4603	1



Repair Kits

Part #	Description	Includes Item #
300-SSPK	silicone seal flapper assembly, shaft, nuts, flapper spring	2S, 3, 4, 6
300-SK	silicone seal flapper assembly, shaft, nuts	2S, 3, 4
300-BSPK	Buna seal flapper assembly, shaft, nuts, flapper spring	2B, 3, 4, 6
300-BK	Buna seal flapper assembly, shaft, nuts	2B, 3, 4
300-SPK	metal seal flapper assembly, shaft, nuts, flapper spring	2M, 3, 4, 6
300-K	metal seal flapper assembly, shaft, nuts	2M, 3, 4



Bayco High Flow 3020 Series 2" Swing Check Valves

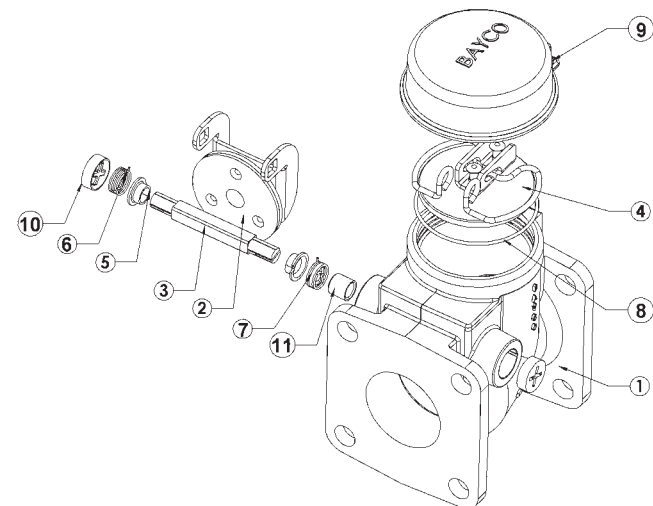
Bill of Materials

Item #	Description	Part #	Qty
1	swing check body	---	1
2	valve flapper assembly, white EPDM	use kit 3020FA	1
3	shaft	390777	1
4	cover plate and retaining ring	use kit 3020CS	1
5	shaft bearing	111321	2
6	right spring	111324	1
7	left spring	111325	1
8	cover O-ring	111326	1
9	cap	3020C	1
10	threaded shaft plug	111443	2
11	shaft bushing	390784	2
**	flange close clearance nuts (two provided with 3020SQ, due to close clearance between flange and body)	111485	2

** not illustrated

Repair Kits

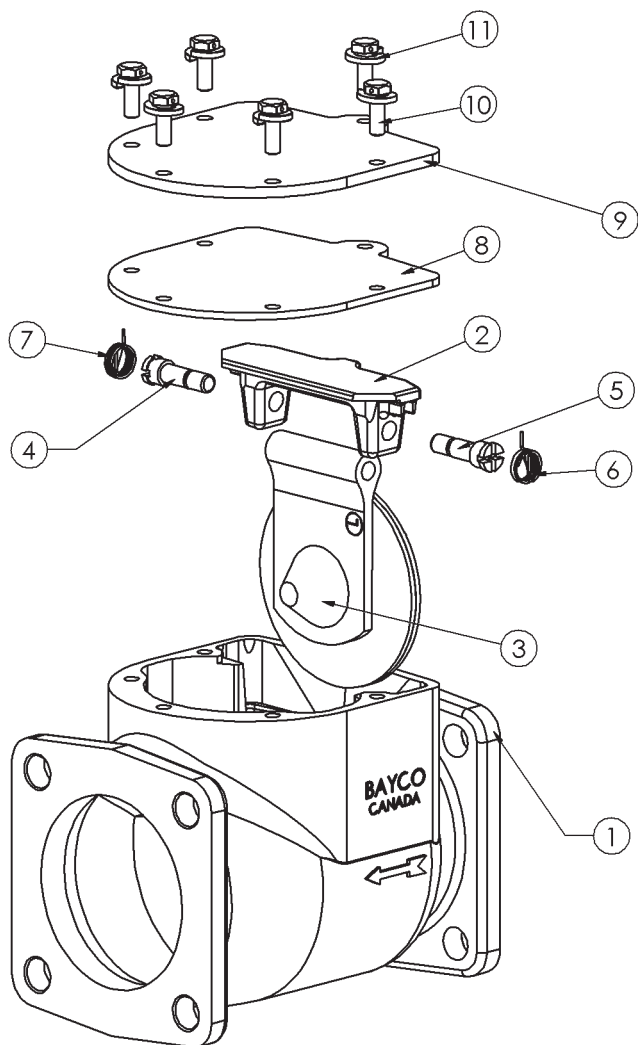
Part #	Description	Includes Item #
3020CS	top cover plate kit, cover plate, spring clip assembly and O-ring seal	4, 8
3020FA	replacement white EPDM flapper kit, flapper assembly, shaft, shaft bearings, springs and shaft plugs	2, 3, 5, 6, 7, 10



Dry Bulk
Replacement Parts

Swing Check Valves

Bayco High Flow 3030 Series 3" Swing Check Valves Round Flange, Square Flange, Threaded and Grooved Ends



Dry Bulk
Replacement Parts

Bill of Materials

Item #	Description	Part #	Qty
1	swing check body	---	1
2	flapper valve yoke	341595	1
3	valve flapper assembly with metal seal	use kit 3091RK1	1
4	right hand shaft	390798	1
5	left hand shaft	390799	1
6	left hand spring	use kit 3030RK3	1
7	right hand spring	use kit 3030RK3	1
8	cover gasket silicone	112257	1
9	cover	341611	1
10	bolt	use kit 3030HK	6
11	lock washer	use kit 3030HK	6

Repair Kits

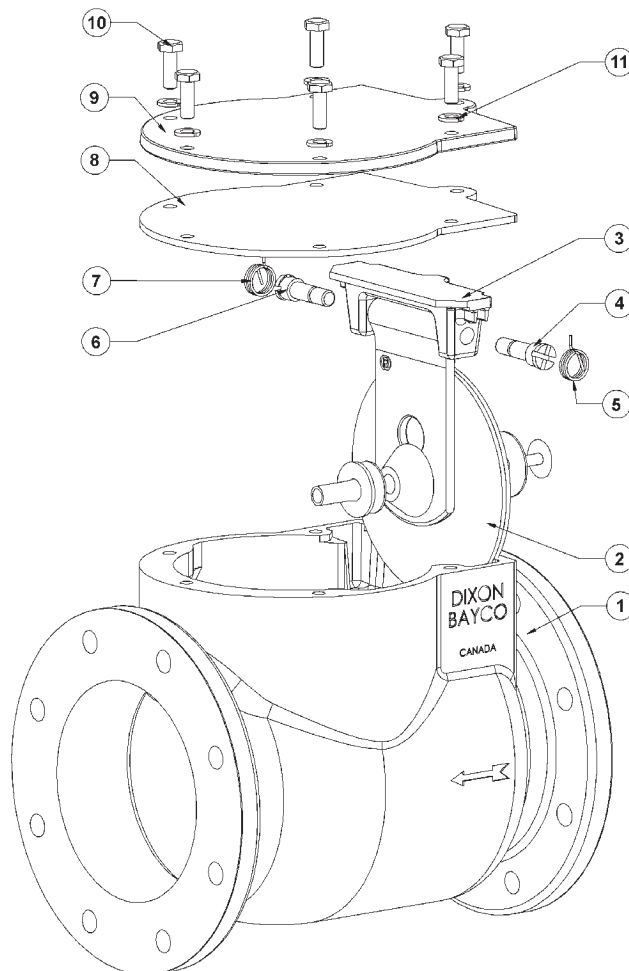
Part #	Description	Includes Item #
3090RK2	complete rebuild kit, silicone flapper assembly, yoke, springs, shafts, cover gasket, bolts and lock washers (for 3030RD-SSP, 3030SQ-SSP, 3030TE-SSP and 3030VIC-SSP)	2, 3A, 4, 5, 6, 7, 8, 10, 11
3091RK1	complete rebuild kit, metal seal flapper assembly, yoke, springs, shafts, cover gasket, bolts and lock washers (for 3031RD, 3031SQ, 3031TE and 3031VIC)	2, 3B, 4, 5, 6, 7, 8, 10, 11
3030HK	replacement bolts and lock washers	10, 11
3030RK3	replacement left and right springs	6, 7
3030SK	optional: anti-tamper security kit for swing check lid, two security bolts and wire seal	not illustrated

Swing Check Valves

Bayco High Flow 4040 Series 4" Swing Check Valves Round Flange and Threaded Units

Bill of Materials

Item #	Description	Part #	Qty
1	swing check body	---	1
2A	valve flapper assembly white EPDM (4040RD and 4040TE)	use kit 4040RK1	1
3	flapper valve yoke	341595	1
4A	left hand shaft (4040RD and 4040TE)	390799	1
4B	left hand shaft (4041RD, 4042RD, 4041TE, 4042TE)	390846	1
5A	left hand spring (4040RD and 4040TE)	use kit 3030RK3	1
5B	left hand spring (4041RD, 4042RD, 4041TE and 4042TE)	use kit 4041RK3	1
6A	right hand shaft (4040RD and 4040TE)	390798	1
6B	right hand shaft (4041RD, 4042RD, 4041TE and 4042TE)	390847	1
7A	right hand spring (4040RD and 4040TE)	use kit 3030RK3	1
7B	right hand spring (4041RD, 4042RD, 4041TE and 4042TE)	use kit 4041RK3	1
8	cover gasket	111215	1
9	cover	340039	1
10	bolt	use kit 3030HK	6
11	lock washer	use kit 3030HK	6



Dry Bulk
Replacement Parts

Repair Kits

Part #	Description	Includes Item #
4040RK1	replacement white EPDM flapper kit, flapper assembly, yoke, springs, shafts, cover gasket (for 4040RD and 4040TE)	2A, 3, 4A, 5A, 6A, 7A, 8
4041RK1 ¹	complete rebuild kit, metal seat flapper assembly, yoke, springs, shafts, cover gasket, bolts and lock washers (for 4041RD and 4041TE)	2B, 3, 4B, 5B, 6B, 7B, 8, 10, 11
4042RK1 ¹	complete rebuild kit, red silicone flapper assembly, yoke, springs, shafts, cover gasket, bolts and lock washers (for 4042RD and 4042TE)	2C, 3, 4A, 5A, 6A, 7A, 8, 10, 11
3030HK	replacement bolts and lock washers	10, 11
3030RK3	replacement left and right springs (for 4040RD and 4040TE)	5A, 7A
4041RK3	replacement left and right springs (for 4041RD, 4041TE, 4042RD and 4042TE)	5B, 7B
3030SK	optional: anti-tamper security kit for swing check lid, two security bolts and wire seal	not illustrated

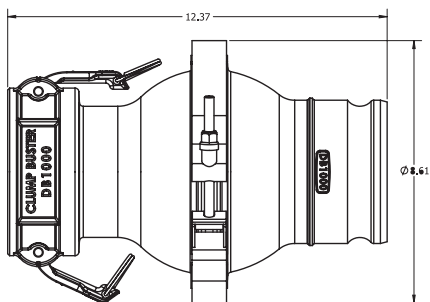
¹ Kits 4041RK1 and 4042RK1 contain 2 sets of shafts and springs. Swing check valves manufactured after March 2007 should use the larger axial shafts and the larger torsion springs. Swing check valves manufactured prior to March 2007 will require the use of the shorter axial shafts and the smaller torsion springs.

The smaller torsion springs will not return the flappers contained in the 4041RK1 and 4042RK1 kits to a fully-closed position if the valve is mounted vertically or upside down. Ensure that these mounting positions are avoided if the smaller springs are used with the 4041RK1 and 4042RK1 kits.



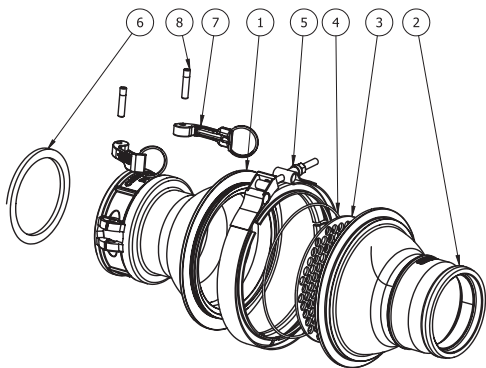
Clump Buster

Clump Buster - DB1000

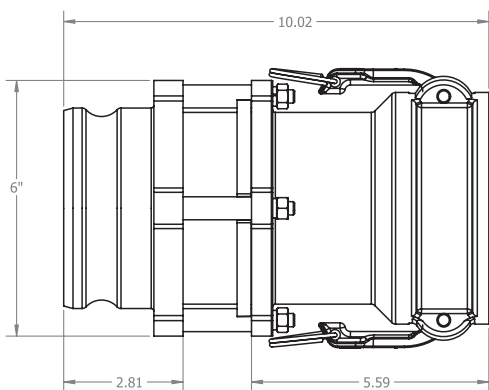


Bill of Materials - DB1000

Item #	Description	Part #	Qty
1	coupler - machining	341841	1
2	adapter - machining	341842	1
3	screen	391862	1
4	O-ring 2-166	112293	1
5	clamp	112291	1
6	gasket 4"	400-G-BU	1
7	cam arm with ring	300-HR-BR	2
8	pin	325-P	2

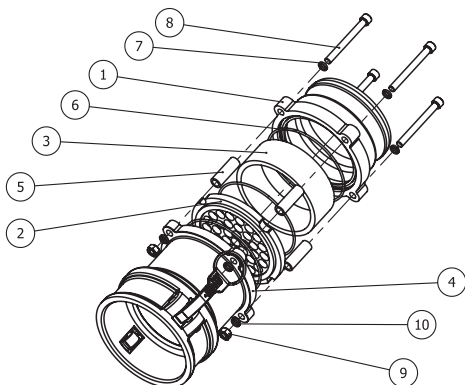


Clump Buster With Sight Glass - DB1000-SFI



Bill of Materials - DB1000SFI

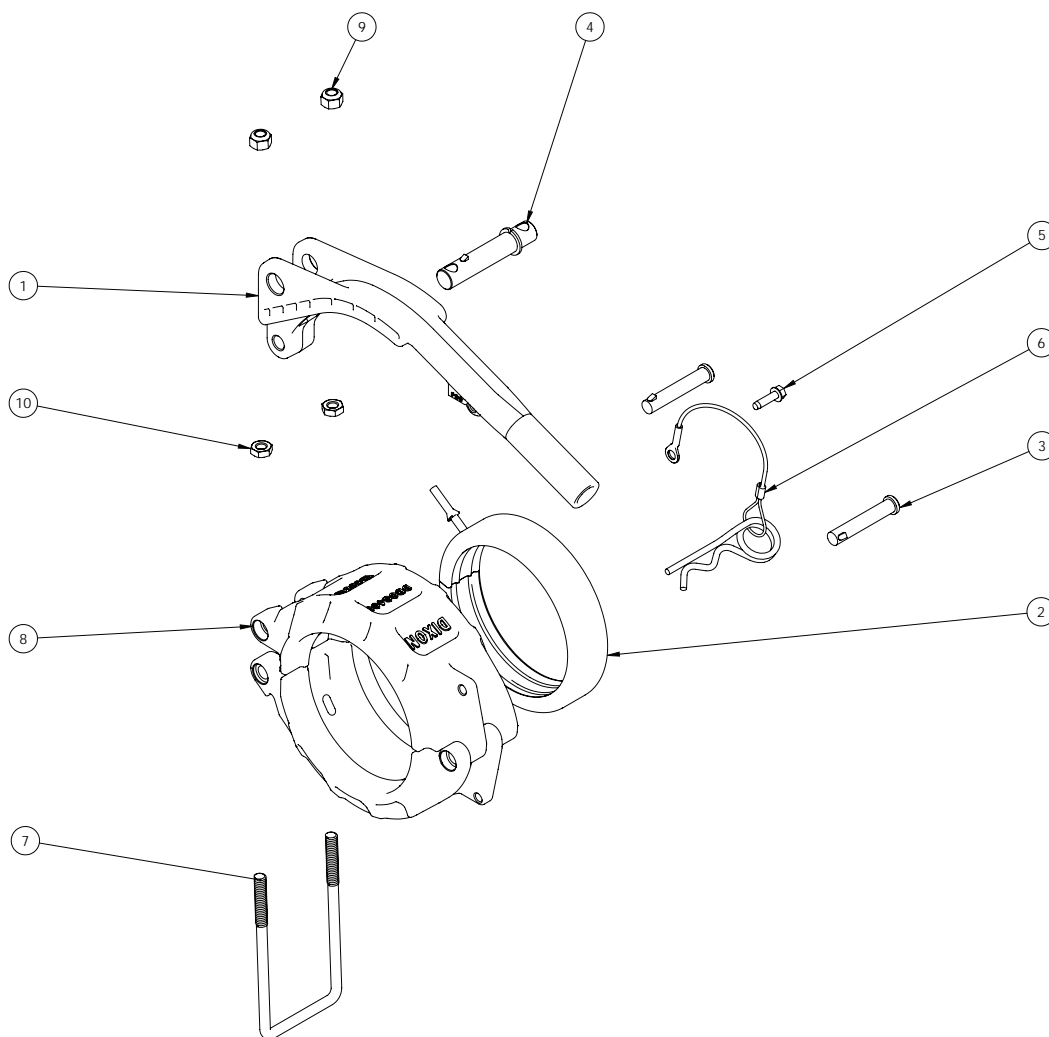
Item #	Description	Part #	Qty
1	4" adapter for SG (AL)	341228	1
2	clump buster screen	112295	1
3	sight glass	6000-10 (390114)	1
4	coupler assembly 4"	6000-19	1
5	spacer	390911 spacer	4
6	O-ring 3¾" x 0.093" Buna-N	AS156 (110177)	3
7	lock washer	111723	4
8	screw socket head 0.3125-18NC x 3"	112296	4
9	nut	110978	4
10	lock washer	110977	4



Dry Bulk Replacement Parts

Groove Pipe Connections

Aluminum Quick Connect Clamps



Dry Bulk
Replacement Parts

Bill of Materials - DBCG400

Item #	Description	Part #	Material	Qty
1	4" pipe coupler handle	40396NY	nylon	1
2	4" pipe coupler split gasket	40398BN	Buna-N / EPDM	1
3	small quick assembly pin	40431SS	SS	2
4	large quick assembly pin	40430SS	SS	1
5	screw	10765SS	SS	1
6	lanyard and cotter pin assembly	40432	---	1
7	coupler, bail latch	40429SS	SS	1
8	4" pipe coupler half	40397AL	aluminum	2
9	5/16-18 nut, nylon insert	40427SS	SS	2
10	5/15-18 jam nut	40428SS	SS	2

Butterfly Valves

Butterfly Valve Replacement Parts

Part #	Description
2-400-422240	replacement stainless steel valve stem for 2" valve
3-400-422240	replacement stainless steel valve stem for 3" valve
4-400-422240	replacement stainless steel valve stem for 4" valve
5-400-422240	replacement stainless steel valve stem for 5" valve
6-400-422240	replacement stainless steel valve stem for 6" valve
2-3-400-99-BPKIT	bushing and packing kit for 2" and 3" valves
4-6-400-99-BPKIT	bushing and packing kit for 4", 5" and 6" valves (not for 6" 2-piece valve 6-390-828U501)
6-99-400BPKIT	bushing and packing kit for 6" (6-390-828U501)
2-3-213	stainless steel screw sets for 2" and 3" valves
4-5-6-213	stainless steel screw sets for 4", 5" and 6" valves

Complete Valve Part # ¹	Replacement Handle Kits		Replacement Disc		Replacement Seats	
	Aluminum Part #	Iron Part #	Iron Part #	Stainless Steel	Black Buna Seat Part #	White Buna Seat Part #
2-400-1500	---	DB237-23-10	2-400-422237F	---	2-400-422500	---
3-380-828501	---		3-390-209F	---	---	3-400-422501
3-480-1500	DB206-23-5	DB237-23-10	3-400-422237F	---	3-400-422500	---
3-480-3501			3-400-422209F	---	3-400-422501	---
4-380-828U501	DB206-46-5	DB237-46-10	4-390-209U	---	---	4-400-422501
4-480-1500	DB206-46-5	DB237-46-10	4-400-422237U	---	4-400-422500	---
4-480-3501	DB206-23-5	DB237-23-10	4-400-422209U	---	4-400-422501	---
4A-400-1500	DB206-46-5	DB237-46-10	4A-400-422237U	---	4A-400-422500	---
4A-400-3501			4A-400-422209U	---	4A-400-422501	---
4A-480-1500			4A-400-422237U	---	4A-400-422500	---
4A-480-3501			4A-400-422209U	---	4A-400-422501	---
5-380-828U501	DB206-46-5	DB237-46-10	5-390-209U	---	---	5-400-422501
5-480-1500	DB206-46-5	DB237-46-10	5-400-422237U	---	5-400-422500	---
5-480-3501			5-400-422209U	---	5-400-422501	---
6-380-828U501	DB400-206-65	DB400-237-610	6-390-209U	---	---	6-390-393501
6-400-3501	DB206-46-5	DB237-46-10	6-400-422209U	---	6-400-422501	---
6-480-1500			6-400-422237U	---	6-400-422500	---
6-480-3501			6-400-422209U	---	6-400-422501	---
8-400-1500	206-810	---	8-400-4222370	---	8-400-422500	---
10-400-1500	206-1010	---	10-400-4222370	---	10-400-422500	---
DB3-400-1500	DB206-23-5	DB237-23-10	112366	---	112363	---
DB3-400-3501			---	112365	---	112364
DB4-400-1500	DB206-46-5	DB237-46-10	112356	---	112354	---
DB4-400-3501	DB206-23-5	DB237-23-10	---	112357	---	112355
DB5-400-1500	DB206-46-5	DB237-46-10	112321R	---	112318	---
DB5-400-3501			---	112353	---	112352

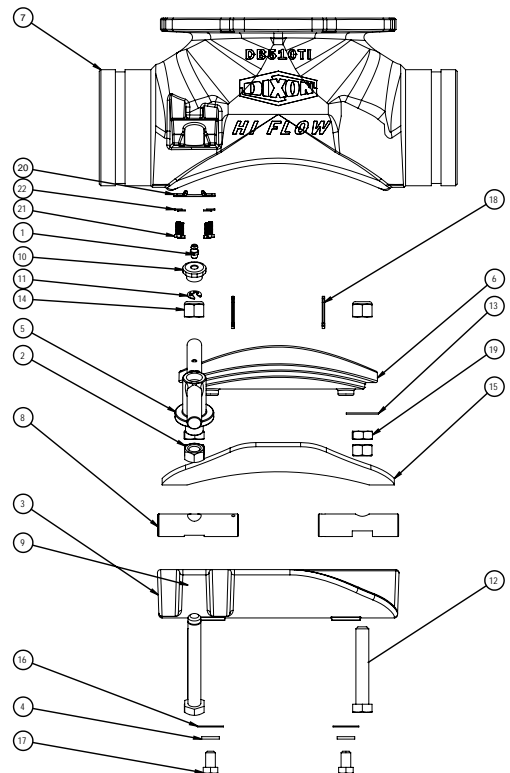
Dry Bulk Replacement Parts

¹ Handle kits are sold separately; choose aluminum or iron (2" thru 6" aluminum handles have five open positions, 8" and 10" aluminum and all iron handles have ten open positions).

Hopper Tees

Bill of Materials - DB510TI / DB510TA / DB610TI

Item #	Description	Part #	Qty
1	grease fitting	40158ST	1
2	nut - ground bolt 1/2"-13	10224	3
3	5" bottom drop tee fitting door	40394AL	1
4	lock washer	40263SS	2
5	bottom drop hopper tee clamp handle	40402SS	1
6	5" bottom drop hopper tee door insert	40403I	1
7	5 x 4 bottom drop hopper tee- xv	40393I	1
8	bottom drop hopper tee pivot/clamp rod	40436SS	3
9	1/2"-13 x 3 l hhcs	40443SS	1
10	bottom drop tee fitting handle cap	40444BR	1
11	e-clip 13.8mm x 5.84mm x .9mm	40442SS	1
12	1/2"-13 x 3 l hhcs	40437SS	2
13	1/2" washer (0.531 ID x 1.125 OD)	40440SS	2
14	1/2"-13 lock nut w/nylon insert	40435SS	2
15	5" bottom drop tee fitting door gasket	40441BN	1
16	3/8" washer (0.406 ID x 1.000 OD)	40438SS	2
17	3/8"-16 x 0.625 l hhcs	40439SS	2
18	cotter pin 3/32 x 1 1/4"	40445SS	2
19	jam nut, 1/2"-13	40456SS	2
20	retain plate	40453SS	1
21	8-32 screw	40454SS	4
22	#8 split washer	40455SS	4



Replacement Parts

Part #	Description
40393AL	5 x 4 bottom drop tee
40394AL	5" bottom drop tee fitting door
40436SS	bottom drop tee pivot/clamp rod
DB510RK	RK1 5 x 4 bottom drop tee, iron door insert and door gasket

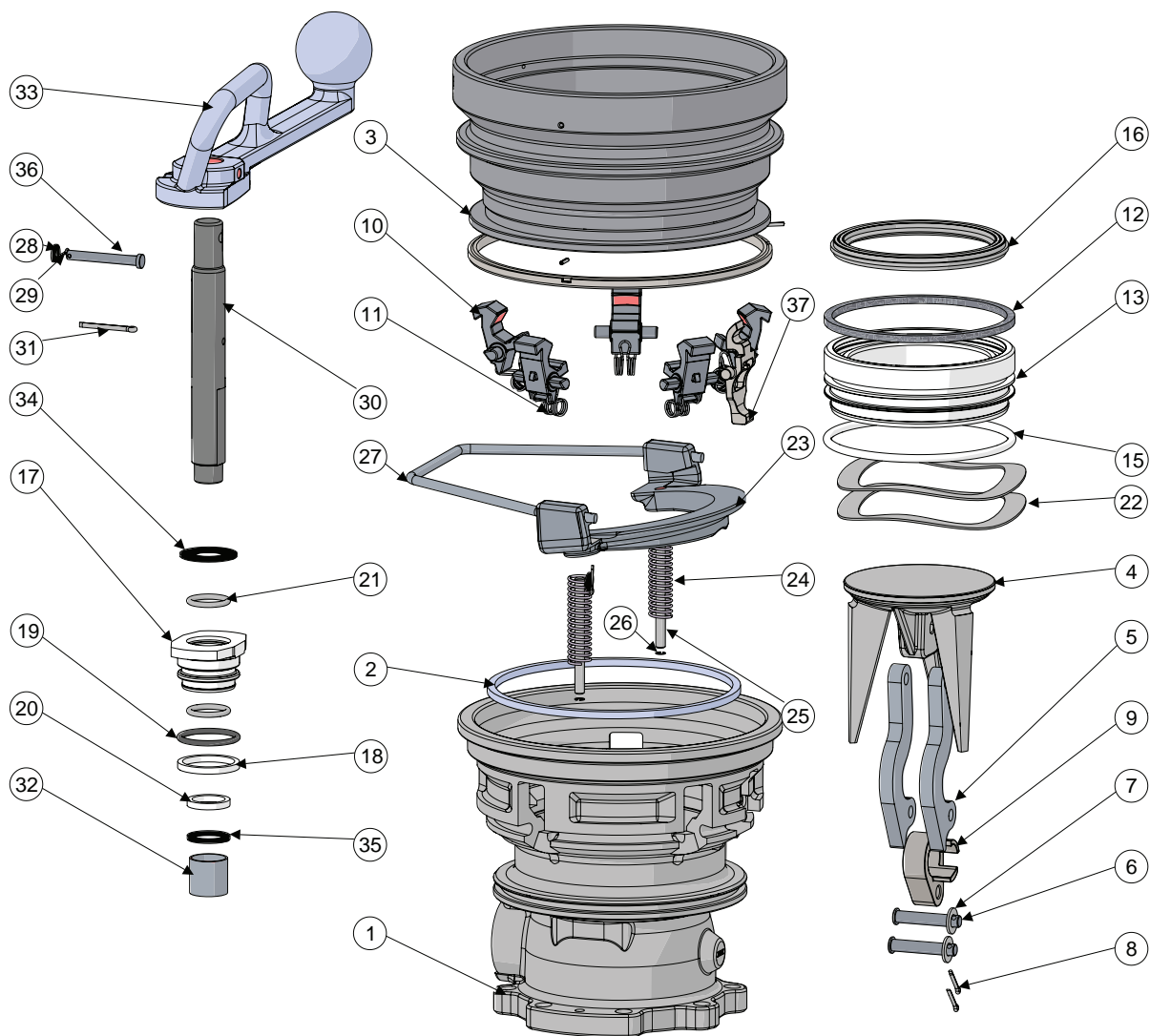
Ultraflo Bottom Tee Replacement Parts

Part #	Description
4X4BD DOOR	4" bottom drop door only
8X4BD DOOR	8" bottom drop door only
4X4-BD GASKET	4" bottom drop door gasket only
5X4-BD GASKET	5" bottom drop door gasket only
6X4-BD GASKET	6" bottom drop door gasket only
8X4-BD GASKET	8" bottom drop door gasket only
4X4BD DOORASBLY	4" bottom drop door assembly with gasket
5X4BD DOORASBLY	5" bottom drop door assembly with gasket
6X4BD DOORASBLY	6" bottom drop door assembly with gasket
8X4BD DOORASBLY	8" bottom drop door assembly with gasket
5X4 WING	5" weld on replacement ring
6X4 WING	6" weld on replacement ring
8X4 WING	8" weld on replacement ring
3/8 T-BOLT	4" bottom drop door T-bolt
3/8 INSERT	4" bottom drop door threaded insert for T-bolt
BD BOLTS	5", 6" and 8" bottom drop door bolt
BD WINGNUT	5", 6" and 8" bottom drop door wing nut
GASKET RETAINER	gasket retainer - all sizes
3/8 RETAINERBOLT	3/8" gasket retainer bolt and lock nut - all sizes
5-RF	retention flange for low-profile tees

Dry Bulk Replacement Parts

Fuel Tanker Loading and Unloading

5300/5400 Series API Couplers API Bottom Rack Loading Fittings



Petroleum
Replacement Parts

Product instruction sheets and technical data can be viewed on our website at canada.dixonvalve.com.

Fuel Tanker Loading and Unloading

Bill of Materials

Qty of Components per Unit

Item #	Description	Part #	5300	5300B	5300BC	5300BCL	5300G	5400	5400B	5400G
1	body	---	1	1	1	1	1	1	1	1
2	body dust ring	112173	1	1	1	1	1	1	1	1
3	sleeve assembly	400684	1	1	1	1	1	1	1	1
4A	poppet	Use kit 5354K19	1	1	1	1	1	1	1	1
4B	poppet for crude oil	Use kit 5354K20	N/A	N/A	1	1	N/A	N/A	N/A	N/A
5	bent link	112151	2	2	2	2	2	2	2	2
6	link pin	391141	2	2	2	2	2	2	2	2
7	link washer	112158	2	2	2	2	2	2	2	2
8	304SS cotter pin	110721	2	2	2	2	2	2	2	2
9	drive link	112148	1	1	1	1	1	1	1	1
10	interlocking cam	112147	5	5	5	5	5	5	5	5
11	torsion spring	112149	5	5	6	6	5	5	5	5
12	nose piece dust ring	112174	1	1	1	1	1	1	1	1
13	nose piece	Use kit 5354K7, 5354K8, 5354K9, 5354K10, 5354K11, 5354K12 or 5354K20	N/A	N/A	N/A	N/A	N/A	1	1	1
14	PTFE U-Seal 350 (optional) ¹	112164	1	1	1	1	1	1	1	1
15A	O-ring 2-350, Buna	Use kit 5354K7, 5354K8, 5354K13 or 5354K14	1	N/A	N/A	N/A	N/A	1	N/A	N/A
15B	O-ring 2-350, FKM B	Use kit 5354K9, 5354K10, 5354K15, 5354K16 or 5354K20	N/A	1	1	1	N/A	N/A	1	N/A
15C	O-ring 2-350, FKM GFLT	Use kit 5354K11, 5354K12, 5354K17 or 5354K18	N/A	N/A	N/A	N/A	1	N/A	N/A	1
16A	replaceable nose seal, Buna	Use kit 5354K13 or 5354K14	N/A	N/A	N/A	N/A	N/A	1	N/A	N/A
16B	replaceable nose seal, FKM B	Use kit 5354K15 or 5354K16	N/A	N/A	N/A	N/A	N/A	N/A	1	N/A
16C	replaceable nose seal, FKM GFLT	Use kit 5354K17 or 5354K18	N/A	N/A	N/A	N/A	N/A	N/A	N/A	1
16D	bonded nose seal, Buna	Use kit 5354K7 or 5354K8	1	N/A	N/A	N/A	N/A	N/A	N/A	N/A
16E	bonded nose seal, FKM B	Use kit 5354K9 or 5354K10	N/A	1	N/A	N/A	N/A	N/A	N/A	N/A
16 F	bonded nose seal, FKM GFLT	Use kit 5354K11 or 5354K12	N/A	N/A	N/A	N/A	1	N/A	N/A	N/A
16G	bonded nose seal for crude oil	Use kit 5354K20	N/A	N/A	1	1	N/A	N/A	N/A	N/A
17A	bearing	341790	1	1	N/A	N/A	1	1	1	1
17B	bearing for crude oil	400696	N/A	N/A	1	N/A	N/A	N/A	N/A	N/A
17C	bearing for crude oil w/lock handle	400696	N/A	N/A	NA	1	N/A	N/A	N/A	N/A
18	PTFE U-Seal 220 (optional) ¹	112163	1	1	1	1	1	1	1	1
19A	O-ring 2-220, Buna	Use kit 5354K1, 5354K2 or 5354K20	1	N/A	N/A	N/A	N/A	1	N/A	N/A
19B	O-ring 2-220, FKM B	Use kit 5354K3, 5354K4 or 5354K20	N/A	1	1	1	N/A	N/A	1	N/A
19C	O-ring 2-220, FKM GFLT	Use kit 5354K5 or 5354K6	N/A	N/A	N/A	N/A	1	N/A	N/A	1
20	PTFE U-Seal 212 (optional) ¹	112162	1	1	1	1	1	1	1	1
21A	O-ring 2-212, Buna	Use kit 5354K1 or 5354K2	2	N/A	N/A	N/A	N/A	2	N/A	N/A
21B	O-ring 2-212, FKM B	Use kit 5354K3, 5354K4, or 5354K20	N/A	2	2	2	N/A	N/A	2	N/A
21C	O-ring 2-212, FKM GFLT	Use kit 5354K5 or 5354K6	N/A	N/A	N/A	N/A	2	N/A	N/A	2
22A	wave spring washer	112172	2	2	N/A	N/A	2	2	2	2
22B	wave washer for crude oil	112282	N/A	N/A	1	1	N/A	N/A	N/A	N/A
23	bail	341788	1	1	1	1	1	1	1	1
24	bail spring	112150	2	2	2	2	2	2	2	2
25	bail pin	112175	2	2	2	2	2	2	2	2
26	internal retaining ring	112176	2	2	2	2	2	2	2	2
27	release	391139	1	1	1	1	1	1	1	1
28	washer	111562	3	3	3	3	3	3	3	3
29	cotter pin	111563	3	3	3	3	3	3	3	3
30	shaft	391140	1	1	1	1	1	1	1	1
31	shaft cotter pin	112307	1	1	1	1	1	1	1	1
32	spacer	391142	1	1	1	1	1	1	1	1
33A	handle (aluminum)	341789	1	1	-	-	1	1	1	1
33B	handle (stainless steel)	112392	N/A	N/A	1	N/A	N/A	N/A	N/A	N/A
33C	handle (stainless steel)	400713	N/A	N/A	N/A	1	N/A	N/A	N/A	N/A
34	shaft outside washer	112160	1	1	1	1	1	1	1	1
35	shaft inside washer	112159	1	1	1	1	1	1	1	1
36	clevis pin	112500	1	1	1	1	1	1	1	1
37	latch	112240	1	1	1	1	1	1	1	1

¹ Items 14, 18 and 20 are optional PTFE U-seals. When the U-seals are added to the coupler, they isolate the main rubber seals from the liquid being conveyed, thereby increasing the longevity of the rubber seals.

N/A = "Not Applicable"

Product instruction sheets and technical data can be viewed on our website at canada.dixonvalve.com.

Fuel Tanker Loading and Unloading

5300/5400 Series API Couplers API Bottom Rack Loading Fittings

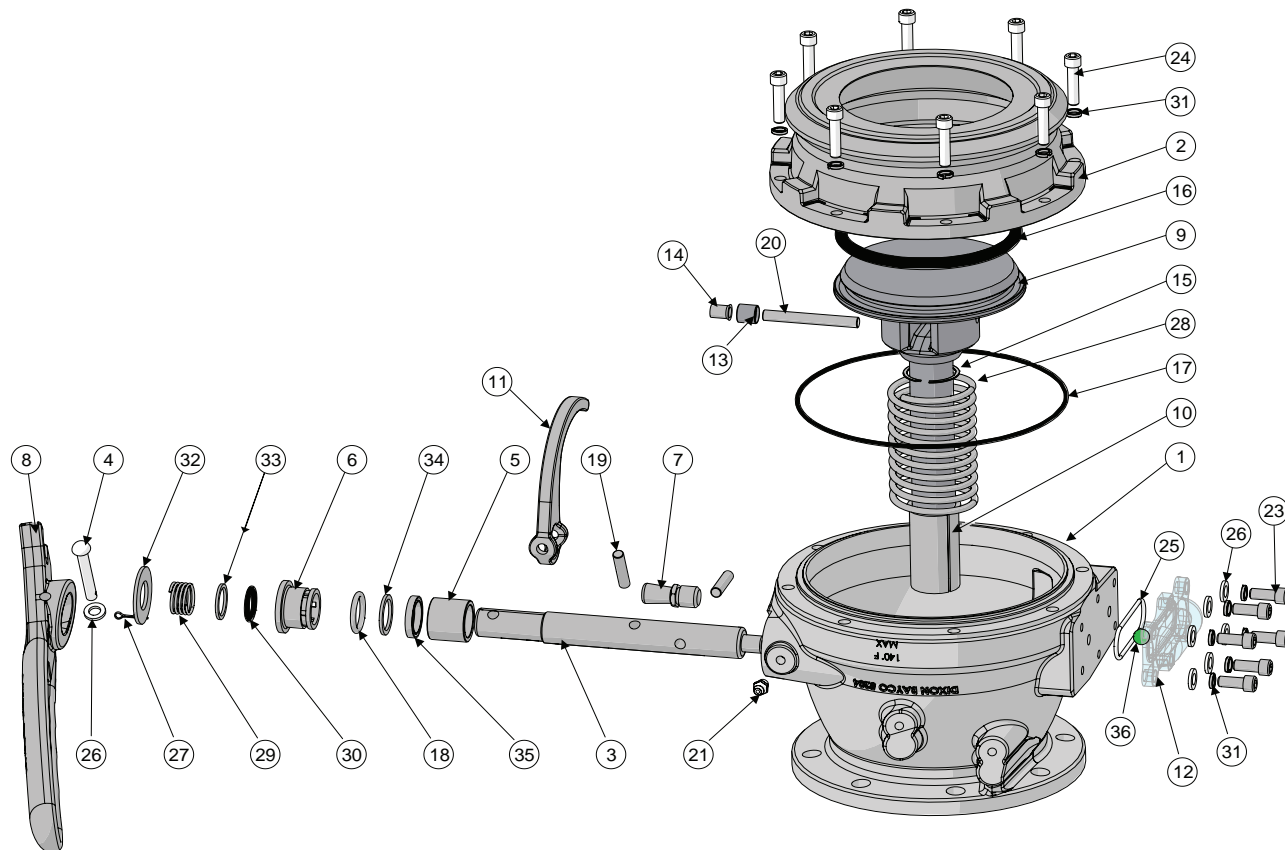
Repair Kits

Part #	Description	Include items #
5354K1	Buna shaft seal kit: for 5300 and 5400	19A, 21A, 31, 34, 35
5354K2	Buna shaft seal kit with optional PTFE U-seals: for 5300 and 5400	18 ¹ , 19A, 20 ¹ , 21A, 34, 35
5354K3	FKM-B shaft seal kit: for 5300B and 5400B	19B, 21B, 31, 34, 35
5354K4	FKM-B shaft seal kit with optional PTFE U-seals: for 5300B and 5400B	18 ¹ , 19B, 20 ¹ , 21B, 31, 34, 35
5354K5	FKM GFLT shaft seal kit: for 5300G and 5400G	19C, 21C, 31, 34, 35
5354K6	FKM GFLT shaft seal kit with optional PTFE U-seals: for 5300G and 5400G	18 ¹ , 19C, 20 ¹ , 21C, 34, 35
5354K7	Buna bonded nose seal kit: for 5300	12, 13, 15A, 16D
5354K8	Buna bonded nose seal kit with optional PTFE U seal: for 5300	12, 13, 14 ¹ , 15A, 16D
5354K9	FKM-B bonded nose seal kit: for 5300B	12, 13, 15B, 16E, 31
5354K10	FKM-B bonded nose seal kit with optional PTFE U seal: for 5300B	12, 13, 14 ¹ , 15B, 16E
5354K11	FKM GFLT bonded nose seal kit: for 5300G	12, 13, 15C, 16F, 31
5354K12	FKM GFLT bonded nose seal kit with optional PTFE U seal: for 5300G	12, 13, 14 ¹ , 15C, 16F
5354K13	Buna replaceable nose seal kit: for 5400	12, 15A, 16A
5354K14	Buna replaceable nose seal kit with optional PTFE U seal: for 5400	12, 14 ¹ , 15A, 16A
5354K15	FKM-B replaceable nose seal kit: for 5400B	12, 15B, 16B, 31
5354K16	FKM-B replaceable nose seal kit with optional PTFE U seal: for 5400B	12, 14 ¹ , 15B, 16B, 31
5354K17	FKM GFLT replaceable nose seal kit: for 5400G	12, 15C, 16C
5354K18	FKM GFLT replaceable nose seal kit with optional PTFE U seal: for 5400G	12, 14 ¹ , 15C, 16C
5354K19	Valve assembly repair kit: for 5300, 5300B, 5300G, 5400, 5400B, 5400G	4, 5, 6, 7, 8, 9, 31, 34, 35
5354K20	crude conversion kit	4B, 16G, 17C, 22B, 31
5354K21	locking handle kit	17C, 21B, 28, 29, 31, 33C, 34, 36
5354K22	conversion kit for crude 5300, 5400 - GFLT seals	22B, 16F, 15C, 12, 17A, 21C, 19C, 31
5354K23	poppet assembly replacement kit 5300, 5300BC, 5300BCL	4A, 5, 6, 7, 8, 9, 31, 34, 35
5354K25	aluminum handle kit replacement	28, 29, 33A, 34, 36
5354K26	stainless steel handle kit replacement	28, 29, 33B, 34, 36
5354K27	super pack API coupler repair kit	5354K1, 5354K9, 28, 29, 31, 36

¹ Items 14, 18 and 20 are optional PTFE U-seals. When the U-seals are added to the coupler, they isolate the main rubber seals from the liquid being conveyed, thereby increasing the longevity of the rubber seals.

Fuel Tanker Loading and Unloading

5204 Series API Bottom Load Valves



Repair Kits

Part #	Description	Include items #
5204K2	complete rebuild kit: Baylast™ O-rings, bearings	6, 10, 13, 14, 16A, 17A, 18A, 25A, 30, 32, 35
5204KV2	complete rebuild kit: FKM poppet O-ring, Baylast™ O-rings, bearings	6, 10, 13, 14, 16B, 17A, 18A, 25A, 30, 32, 35
5204K3	anodized nose ring with Baylast™ gasket, screws and lock washers	2, 17A, 24, 31
5204K5	detachable handle assembly (for 5204C and 5204NGC)	not illustrated
5204K6	PTFE encapsulated seal kit, poppet O-ring, nose O-ring, shaft O-ring, and sight glass O-ring	16C, 17B, 18B, 25B
5204K7	fixed handle assembly	4, 6, 8A, 26, 27, 29, 32
5204K8	sight glass repair kit	12, 25A, 36, 37
5204K9	sight glass cover kit (to convert units with sight glass to non-sight glass)	not illustrated
5204K11	nose ring replacement 8 hex bolts and 8 washers kit	24, 31
5204K12	sight glass replacement hardware, 6 hex bolts, 6 lock washers and 4 washers kit	23, 26, 31
5204K13	full body sight glass, seals and retainer kit for 5204SFI	38, 39, 40

See 5204 series Bill of Materials on the following page.

Product instruction sheets and technical data can be viewed on our website at canada.dixonvalve.com.

Fuel Tanker Loading and Unloading

5204 Series API Bottom Load Valves

See 5204 series explosion diagram on preceding page.

Bill of Materials

Quantity of Components per Unit

Item #	Description	Part #	5204	5204NG	5204TNG	5204SNG	5204NGV	5204C	5204NGC	5204L	5204LNG
1	body - pipe end	---	1	1	1	1	1	1	1	1	1
2	nose ring	use kit 5204K3	1	1	1	1	1	1	1	1	1
3	shaft	390812	1	1	1	1	1	1	1	N/A	N/A
4	handle pin	111559	1	1	1	1	1	N/A	N/A	N/A	N/A
5	shaft spacer	390813	1	1	1	1	1	1	1	N/A	N/A
6	shaft bearing	111557	1	1	1	1	1	1	1	N/A	N/A
7	stop pin	5204-SP	1	1	1	1	1	1	1	N/A	N/A
8A	fixed handle	use kit 5204K7	1	1	1	1	1	N/A	N/A	N/A	N/A
8B	removeable handle	use kit 5204K5	N/A	N/A	N/A	N/A	N/A	1	1	N/A	N/A
9A	poppet (load/unload versions)	341755	1	1	1	1	1	1	1	N/A	N/A
9B	poppet (load only versions)	341756	N/A	N/A	N/A	N/A	N/A	N/A	N/A	1	1
10	poppet bearing	341801	1	1	1	1	1	1	1	1	1
11	cam	111550	1	1	1	1	1	1	1	N/A	N/A
12	sight glass	use kit 5204K8	1	N/A	N/A	N/A	N/A	1	N/A	1	N/A
13	poppet roller	390815	1	1	1	1	1	1	1	N/A	N/A
14	poppet roller bearing	111556	1	1	1	1	1	1	1	N/A	N/A
15	retaining ring	111560	1	1	1	1	1	1	1	1	1
16A	Baylast™ poppet O-ring	5204K1	1	1	N/A	1	N/A	1	1	1	1
16B	FKM poppet O-ring	5204KV1	N/A	N/A	N/A	N/A	1	N/A	N/A	N/A	N/A
16C	PTFE encapsulated poppet O-ring	use kit 5204K6	N/A	N/A	1	N/A	N/A	N/A	N/A	N/A	N/A
17A	nose ring O-ring	111554	1	1	N/A	1	1	1	1	1	1
17B	PTFE nose O-ring	use kit 5204K6	N/A	N/A	1	N/A	N/A	N/A	N/A	N/A	N/A
18A	shaft O-ring	111552	1	1	N/A	1	1	1	1	N/A	N/A
18B	PTFE shaft O-ring	use kit 5204K6	N/A	N/A	1	N/A	N/A	N/A	N/A	N/A	N/A
19	shaft and cam roll pin	6000-12	2	2	2	2	2	2	2	N/A	N/A
20	pin roller	111566	1	1	1	1	1	1	1	N/A	N/A
21	grease fitting	111561	1	1	1	1	1	1	1	N/A	N/A
23	sight glass screw	use kit 5204K12	6	N/A	N/A	N/A	N/A	6	N/A	6	N/A
24	nose ring screw	use kit 5204K11	8	8	8	8	8	8	8	8	8
25A	Baylast™ sight glass O-ring	use kit 5204K8	1	N/A	N/A	N/A	N/A	1	N/A	1	N/A
25B	PTFE sight glass O-ring	use kit 5204K6	N/A	N/A	N/A	N/A	N/A	N/A	N/A	N/A	N/A
26	washer	111562	1	1	1	1	1	6	N/A	6	N/A
27	cotter pin	111563	1	1	1	1	1	N/A	N/A	N/A	N/A
28A	main spring-steel	111564	1	1	N/A	N/A	1	1	1	1	1
28B	main spring- stainless steel	111542	N/A	N/A	1	1	N/A	N/A	N/A	N/A	N/A
29	handle spring	111565	1	1	1	1	1	1	1	N/A	N/A
30	dust seal O-ring	111553	1	1	1	1	1	1	1	N/A	N/A
31	lock washer ¼"	111569	14	8	8	8	8	14	8	14	8
32	handle shaft spring washer	111573	1	1	1	1	1	1	1	N/A	N/A
33	handle shaft washer	111574	1	1	1	1	1	1	1	N/A	N/A
34	back-up ring	111579	1	1	1	1	1	1	1	N/A	N/A
35	u-cup seal	111580	1	1	1	1	1	1	1	N/A	N/A
36	flow indicator	use kit 5204K8	1	N/A	N/A	N/A	N/A	1	N/A	N/A	N/A
38 ¹	retaining ring	use kit 5204K13	N/A	N/A	N/A	N/A	N/A	N/A	N/A	N/A	N/A
39 ¹	SFI sight glass	use kit 5204K13	N/A	N/A	N/A	N/A	N/A	N/A	N/A	N/A	N/A
40 ¹	SFI sight glass O-ring (Baylast™)	use kit 5204K13	N/A	N/A	N/A	N/A	N/A	N/A	N/A	N/A	N/A

¹ Not illustrated, parts for 5204-SFI

N/A = Not Applicable

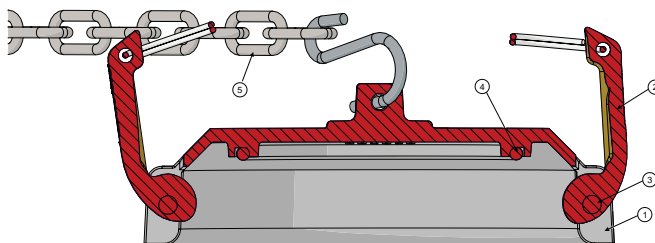
Product instruction sheets and technical data can be viewed on our website at canada.dixonvalve.com.

Fuel Tanker Loading and Unloading

5000-24 API Dust Caps

Bill of Materials

Item #	Description	Part #	Qty
1	body	---	1
2	cam arm and ring	300-HRP-BR	2
3	cam arm pin	5000-24	2
4A	Baylast™ O-ring (standard)	4500-5	1
4B	FKM O-ring (optional)	4500-7	1
5	18" chain and S hook	5205-RK4	1



Repair Kits

Part #	Description	Item #
4500RK	cam arms, pins and Baylast™ O-ring seal (standard)	2, 3, 4A
4500RK-V	cam arms, pins and FKM O-ring seal (optional)	2, 3, 4B
5205-RK4	18" chain and S hook	5

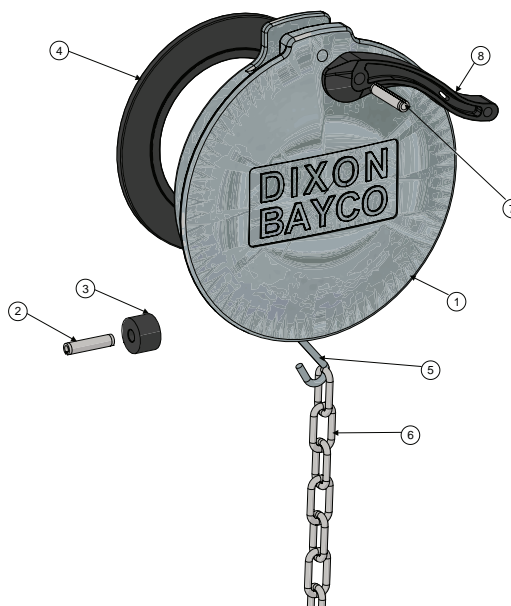
5205 API Dust Caps

Bill of Materials

Item #	Description	Part #	Qty
1	body	---	1
2	slotted pin	use kit 5205-RK3	1
3	roller	use kit 5205-RK3	1
4	gasket	5205-RK1	1
5	S hook	use kit 5205-RK4	1
6	18" chain	use kit 5205-RK4	1
7	spring pin	use kit 5205-RK2	1
8	plastic cam arm	use kit 5205-RK2	1

Repair Kits

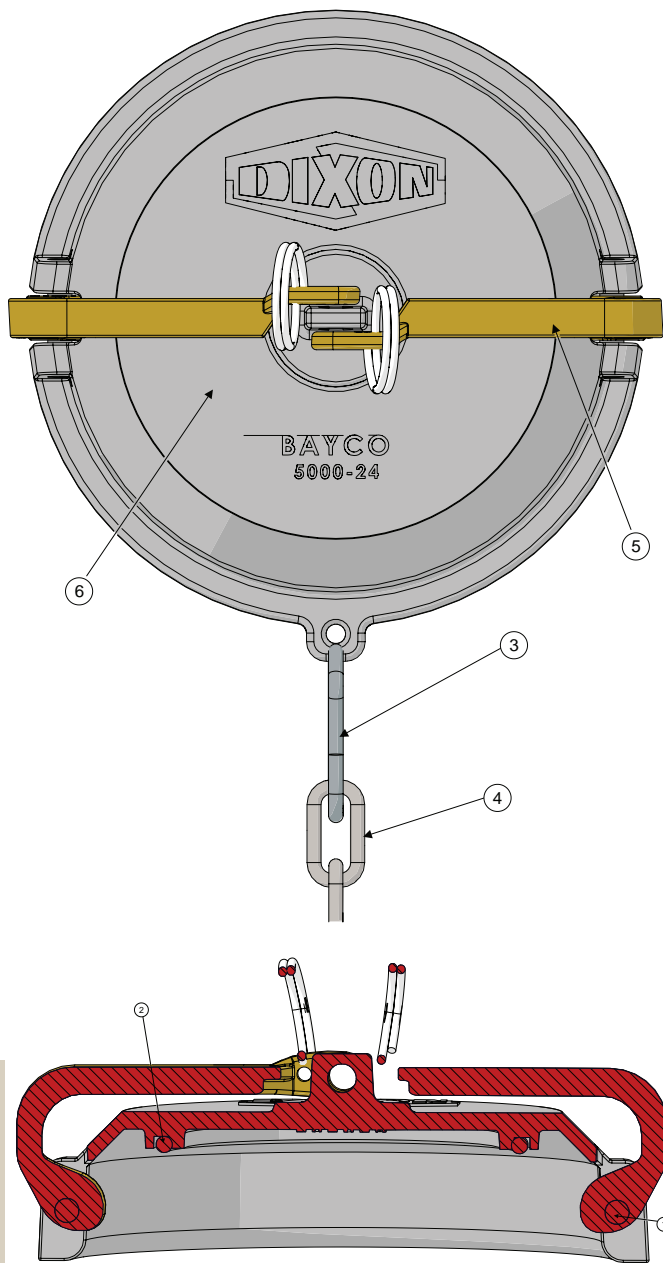
Part #	Description	Item #
5205-RK1	gasket kit	4
5205-RK2	cam arm and pin	7, 8
5205-RK3	roller and pin	2, 3
5205-RK4	chain and S hook	5, 6



Product instruction sheets and technical data can be viewed on our website at canada.dixonvalve.com.

Fuel Tanker Loading and Unloading

5000-24L Lockable API Caps



Bill of Materials

Item #	Description	Part #	Qty
1	pin	325-P	2
2	Buna-N O-ring	4500-5	1
3	S hook	112167	1
4	chain 18"	500-15	1
5	lockable arm with ring	341836	2
6	API dust cap	---	1

Repair Kit

Part #	Description	Item #
5000-24LRK	arm and seal repair kit	1, 2, 5

Petroleum Replacement Parts

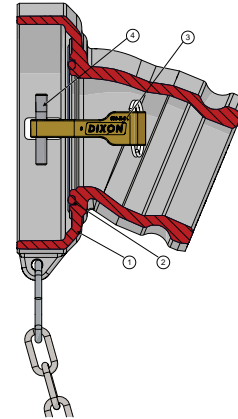
Product instruction sheets and technical data can be viewed on our website at canada.dixonvalve.com.

Fuel Delivery

4530 and 4540 Series Gravity Drop Adapters

Bill of Materials

Item #	Description	Part #	Qty
1	body	---	1
2A	Baylast™ O-ring (standard)	4500-5	1
2B	FKM O-ring (standard)	4500-7	1
3	cam arm and ring	300-HRP-BR	2
4	cam pin	300-HRP-BR	2
---	18" chain and S hook	5205-RK4	1



Repair Kits

Part #	Description	Item #
4500RK	cam arms, rings, pins and Baylast™ O-ring	2A, 3, 4
4500RK-V	cam arms, rings, pins and FKM O-ring	2B, 3, 4
5205-RK4	8" security chain and S hook	-

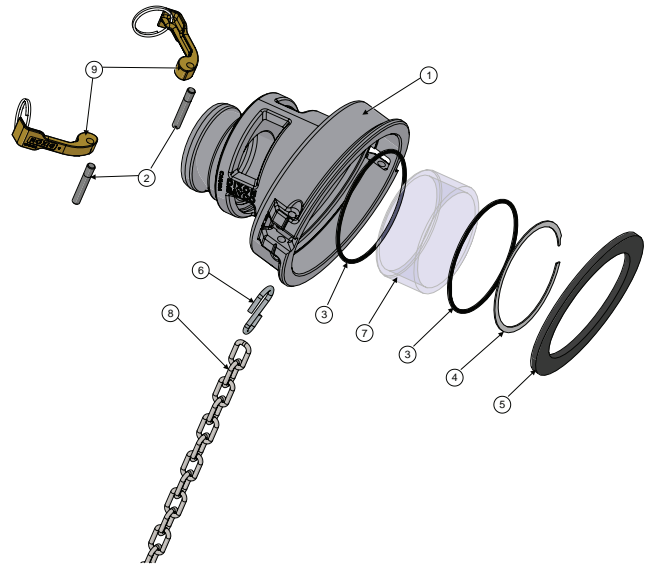
4530SG and 4540SG (with Sight Glass) Gravity Drop Adapters

Bill of Materials

Item #	Description	Part #	Qty
1	body	---	1
2	cam arm pin	L519-15	2
3	Baylast™ O-ring	112052	2
4	retaining ring	112053	1
5	Baylast™ main gasket	4540SG-RK2	1
6	S hook	use kit 5205-RK4	1
7	sight glass	use kit 4540SG-RK1	1
8	18" chain	use kit 5205-RK4	1
9	cam arm and ring	ACAR34BZ	2

Repair Kits

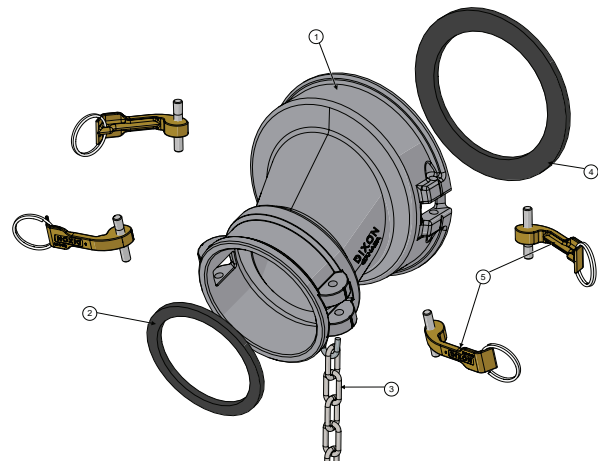
Part #	Description	Item #
4540SG-RK1	sight glass repair kit (fits 3" and 4")	3, 4, 7
4540SG-RK2	Baylast™ main gasket (fits 3" and 4")	5A
4540SG-RK2-V	FKM main gasket (fits 3" and 4")	5B
4540SG-RK3	cam arms and pins (fits 3" and 4")	2, 9
5205-RK4	chain and S hook	6, 8



4540F Gravity Drop Adapters

Bill of Materials

Item #	Description	Part #	Qty
1	body	---	1
2	4" Buna fuel gasket	400-G-BF	1
3	18" chain with S hook	5205-RK4	1
4	Baylast™ main gasket	4540SG-RK2	1
5	brass cam arm, pin and finger ring (kit)	300-HRP-BR	4

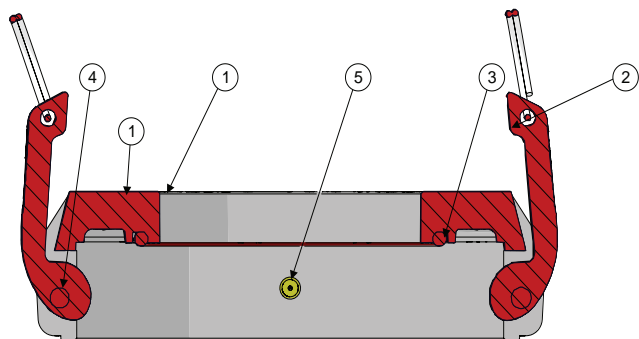


Product instruction sheets and technical data can be viewed on our website at canada.dixonvalve.com.

Fuel Delivery

4500 Drop Adapter Mounting Ring for 2 Piece Gravity Drop Adapters

4500, 4502 and 4504 Main Body Inlet



Bill of Materials

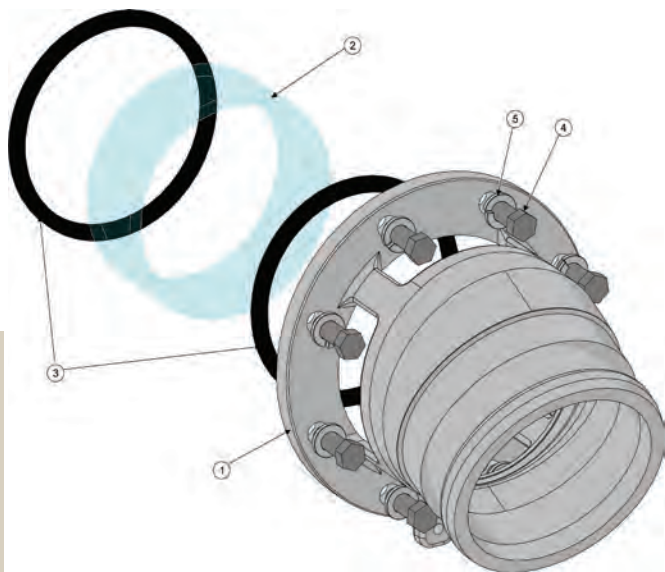
Item #	Description	Part #	Qty
1	body	---	1
2	cam arm and ring	300-HRP-BR	2
3A	Baylast™ O-ring (standard)	4500-5	1
3B	FKM O-ring (optional)	4500-7	1
4	cam arm pin	300-HRP-BR	2
5	rivet	390564	1

Repair Kits

Part #	Description	Item #
4500RK	cam arms, rings, pins and Baylast™ O-ring (standard)	2, 3A, 4
4500RK-V	cam arms, rings, pins and FKM O-ring (optional)	2, 3B, 4

4500 Series Drop Adapter Outlets

4501, 4502, 4503 and 4504



Bill of Materials

Item #	Description	Part #	Qty
1	body	---	1
2	sight glass	see below	2
3A	Baylast™ gasket	4433	2
3B	FKM gasket	4426	1
4	stainless steel bolt	4427	8
5	stainless steel washer	WASHER.375-SS	8
not illustrated	coupler gasket for 4504	400-G-BF	1
not illustrated	cam arm and ring for 4504	ACAR34BZ	2
not illustrated	cam arm pin for 4504	L519-12	2

Repair Kits

Part #	Description	Item #
4400SGK	sight glass and Baylast™ gaskets for 4501 and 4504	2, 3A
4400SGK-V	sight glass and FKM gaskets for 4501 and 4504	2, 3B
4502SGK	sight glass and Baylast™ gaskets for 4502 and 4503	2, 3A
4502SGK-V	sight glass and FKM gaskets for 4502 and 4503	2, 3B

Petroleum Replacement Parts

Fuel Delivery

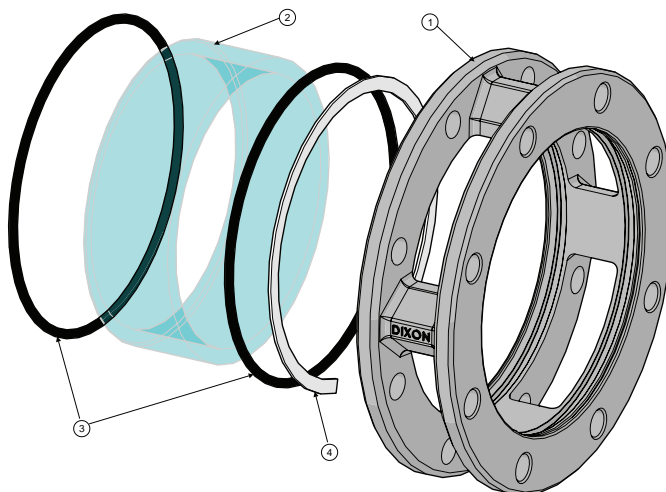
5200-SFI Series Sight Glass

Bill of Materials

Item #	Description	Part #
1A	body 3" - 1 3/4"	241667
1B	body 3" - 3 1/4"	242055
1C	body 4" - 3 3/4"	241964
1D	body 4" - 3 1/4"	242028
2A	sight glass	391149
2B	sight glass	391859
2C	sight glass	390843
2D	sight glass	390844
3A	3" Baylast™ O-ring	111692
3B	3" FKM O-ring	112097
3C	4" Baylast™ O-ring	112028
3D	4" FKM O-ring	112098
4A	3" retaining ring	112056
4B	3" retaining ring	40419SS
4C	4" retaining ring	112055
4D	4" retaining ring	40420SS

Repair Kits

Part #	Description	Includes Item #
5200-SFI-3-RK1	sight glass for 5200-SFI-3	2c, 3a, 4a
5200-SFI-RK1	sight glass for 5200-SFI	2d, 3c, 4c
5200-SFIV-RK1	sight glass for 5200-SFIV	2d, 3d, 4c
5200-SFI-3V-RK1	sight glass for 5200-SFI-3V	2c, 3b, 4a
5201-SFI-3-RK1	sight glass for 5201-SFI-3	2b, 3a, 4a
5201-SFI-RK1	sight glass for 5201-SFI	2a, 3c, 4c



Drop Elbow Inlets

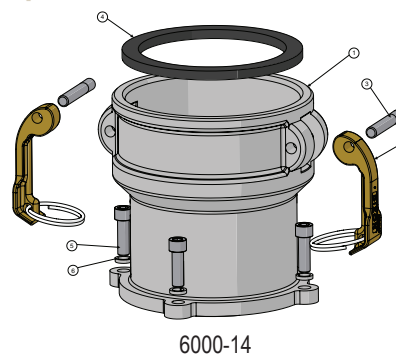
Fits 6000 and 6500 Series Elbows,
6000-14 and 6000-15 Female Coupler Inlets

Bill of Materials

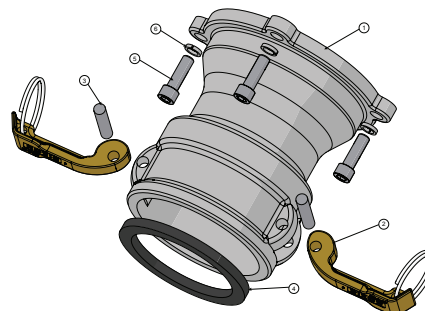
Item #	Description	Part #	Qty
1	body	---	1
2	cam arm and ring	300-HRP-BR	2
3A	4" cam arm pin	300-HRP-BR	2
3B	3" cam arm pin	300-HRP-BR	2
4A	4" gasket (6000-14)	400-G-BF	1
4B	3" gasket (6000-15)	300-G-BF	1
5	hex screw	use kit 6000NPHK	4
6	lock washer	use kit 6000NPHK	4

Repair Kit

Part #	Description	Includes Item #
6000NPHK	adapter kit includes (4) bolts and (4) lock washers	5, 6



6000-14



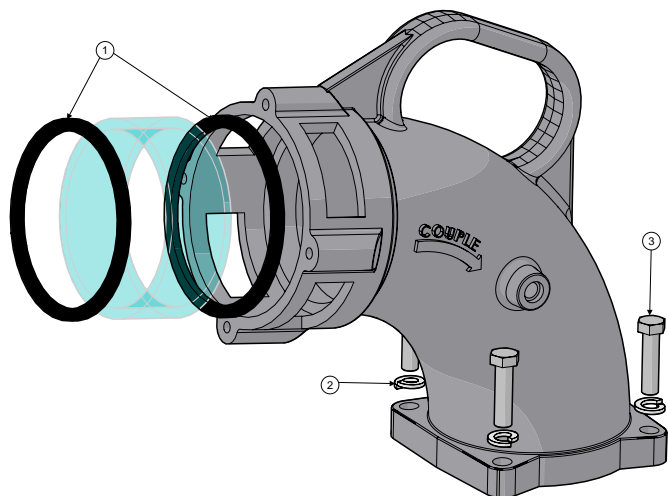
6000-15

Product instruction sheets and technical data can be viewed on our website at canada.dixonvalve.com.

Fuel Delivery

Top "D" Handle Elbows

Fits 6000 Elbow Only



Bill of Materials

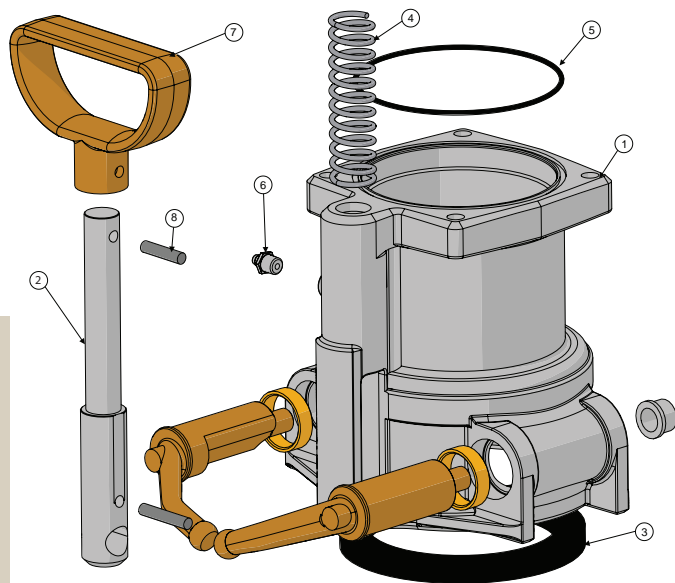
Item #	Description	Part #	Qty
1A	Baylast™ gasket	4433	2
1B	FKM gasket (optional)	4426	2
2	lock washer	use kit 6000EHK	4
3	bolt	use kit 6000EHK	4

Repair Kit

Part #	Description	Includes Item #
6000EHK	bolts	3

Bottom Unit for "D" Handle Elbows

Fits 6000, 6303 and 6304



Bill of Materials

Item #	Description	Part #	Qty
1	body	use kit 6030	1
2	handle stem	6000-7	1
3	main gasket	6000-9	1
4	spring	112012	1
5	O-ring	AS156	1
6	grease nipple	NIPPLE/1	1
7	handle	6000-8	1
8	handle pin	6000-13	1

Repair Kits

Part #	Description	Includes Item #
6030	complete bottom unit	all

Product instruction sheets and technical data can be viewed on our website at canada.dixonvalve.com.

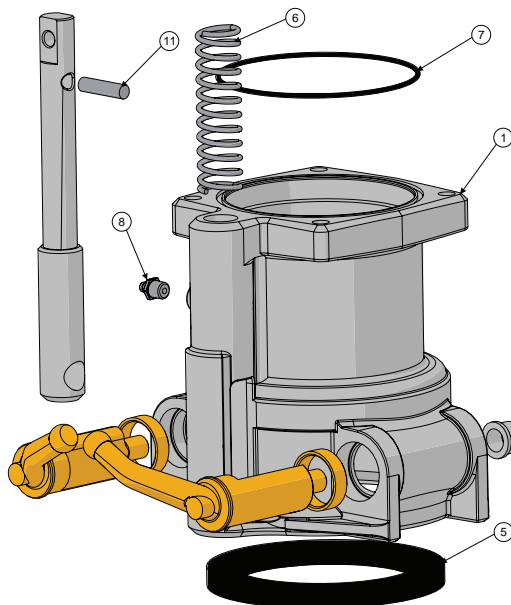
Fuel Delivery

Bottom Unit for Side Lever Elbows

Fits 6400 and 6500 Standard and Tall Elbows

Bill of Materials

	Description	Part #	Qty
1	body	use kit 6230 or 6230X	1
2	main gasket	6000-9	1
3	spring	112012	1
4	O-ring	AS156	1
5	grease nipple	NIPPLE/1	1
6	pin	PIN5/16X 1 1/4P	1



Repair Kits

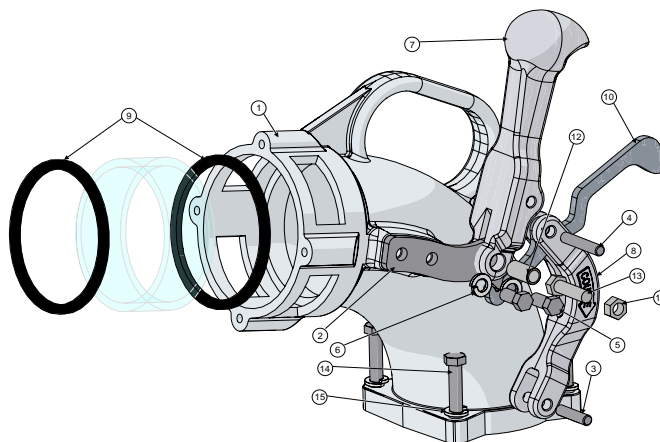
Part #	Description	Includes Item #
6230	complete bottom unit	all
6230X	complete tall bottom unit	all

Top Side Lever Elbows

Fits 6500 Elbow Only

Bill of Materials

Item #	Description	Part #	Qty
1	body	341709	1
2	mounting plate	use kit 6500AHK	1
3	lower lever pin	111728	1
4	upper lever pin	111727	1
5	plate screw	112242	3
6	washer	WASHER.375-SS	3
7	handle	use kit 6500-RK1	1
8	linkage	use kit 6500-RK1	1
9A	Baylast™ gasket	4433	2
9B	FKM gasket (optional)	4426	2
10	locking latch	use kit 6500-RK1	1
11	lock nut	111730	1
12	bushing	390841	1
13	screw	111729	1
14	bolt	use kit 6000EHK	4
15	lock washer	use kit 6000EHK	4



Repair Kits

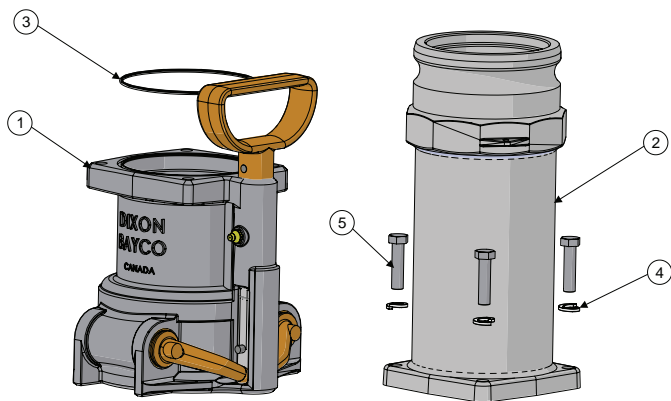
Part #	Description	Includes Item #
6000EHK	bolts and washers	14, 15
6500-RK1	handle, linkage, lock latch, nut, bushing, pins	2, 3, 4, 5, 6, 7, 8, 10, 11, 12, 13
6500AHK	mounting plate, screws and lock washers	2, 5, 6, 13

Product instruction sheets and technical data can be viewed on our website at canada.dixonvalve.com.

Fuel Delivery

6303 and 6304 Series Straight Drop Fittings

6303 (3" Inlet) and 6304 (4" Inlet)



Bill of Materials

Item #	Description	Part #	Qty
1	complete bottom unit	6030	1
2A	4" adapter inlet tube	6304-1	1
2B	4" MNPT inlet tube	400460	1
2C	3" adapter inlet tube	6300-3	1
2D	3" MNPT inlet tube	400588	1
3	O-ring	AS156	1
4	lock washer	use kit 6000EHK	4
5	bolt	use kit 6000EHK	4

Elbow Hardware Kit

Part #	Description	Includes Item #
6000EHK	lock washer, bolt	4, 5

Product instruction sheets and technical data can be viewed on our website at canada.dixonvalve.com.

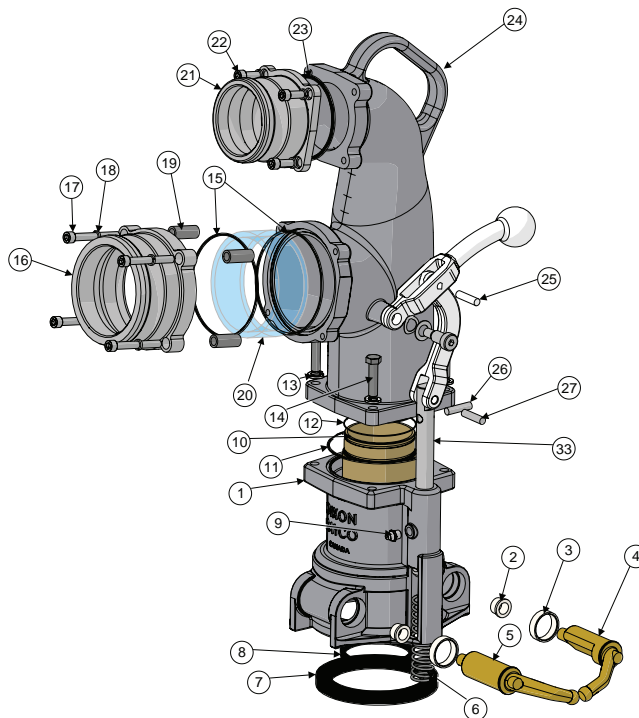
Fuel Delivery

6400 Series Coaxial Drop Elbow with 3" Male Vapor Outlet

6400 (4" Male Inlet), 6400F (4" Female Inlet), 6430 (3" Male Inlet) And 6430F (3" Female Inlet)

Bill of Materials

Item #	Description	Part #	Qty
1	bottom body	use kit 6230 or 6230X	1
2	small bushing	use kit 6400ARK	2
3	large bushing	use kit 6400ARK	2
4	right arm	use kit 6400ARK	1
5	left arm	use kit 6400ARK	1
6	stem spring	112012	1
7	main gasket	6000-9	1
8	tube U cup seal	U-CUP-2/75	1
9	grease nipple	NIPPLE/1	1
10	tube	use kit 6400-DTK or 6400EXT-3	1
11	O-ring	AS156	1
12	tube O-ring	O-RING#39	2
13	lock washer	use kit 6000EHK	4
14	bolt	use kit 6000EHK	4
15	inlet O-ring	AS156	2
16A	4" adapter fuel inlet (6400)	use kit 6000-17C	1
16B	4" coupler fuel inlet (6400F)	use kit 6000-14C	1
16C	3" adapter fuel inlet (6430)	use kit 6000-16C	1
16D	3" coupler fuel inlet (6430F)	use kit 6000-15C	1
17	inlet bolt	SC5/16-18X2.5P	4
18	inlet bolt lock washer	111723	4
19	inlet bolt spacer	6544CA-1	4
20	sight glass	use kit 6400SGK	1
21A	3" adapter vapor outlet	6400-4	1
21B	3" male NPT vapor outlet	6000-26C	1
22	vapor adapter bolt	4432	4
23	vapor adapter O-ring	110601	1
24	top coaxial elbow body	6400-1	1
25	handle pin	PIN5/16X 1 1/4P	1
26	set screw	SC3/8NCX1/2	1
27	stem pin	PIN5/16X 1 1/4P	1



Repair Kits

Part #	Description	Includes Item #
6230	complete bottom unit	1-7, 9, 11, 27
6230X	complete tall bottom unit	1-7, 9, 11, 27
6400ARK	L and R arms, main gasket, O-rings, small and large bushings	2-5, 7, 8, 11, 12
6400SGK	sight glass and seal	15, 20
6000EHK	bolts and washers	13, 14
6400-DTK	tube, O-ring and U cup seal	8, 10, 12
6400EXT-3	tall tube, O-ring and U cup seal	8, 10, 12

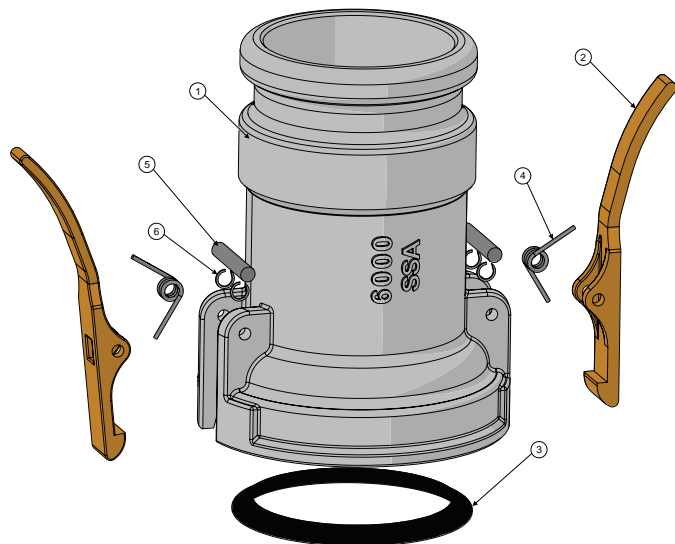
Inlet Adapter and Coupler Kits

Part #	Description	Includes Item #
6000-14C	4" coupler inlet kit	16B, 17, 18
6000-15C	3" coupler inlet kit	16D, 17, 18
6000-16C	3" adapter inlet kit	16C, 17, 18
6000-17C	4" adapter inlet kit	16A, 17, 18
6000-26C	3" male NPT vapor outlet	21B

Product instruction sheets and technical data can be viewed on our website at canada.dixonvalve.com.

Fuel Delivery

6000-SSA Series 4" Side Seal Adapters



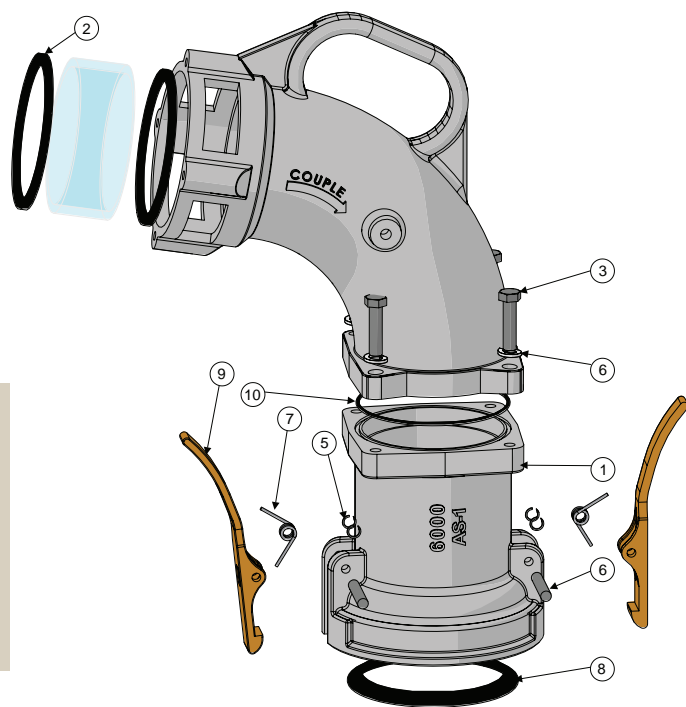
Bill of Materials

Item #	Description	Part #	Qty
1	body	---	1
2	coupler arm	use kit 6000SSHK	2
3	lip seal gasket	L2373	1
4	spring	L2312	2
5	pin	L2311	2
6	retaining ring	TRUARC-5100-25	4

Repair Kit

Part #	Description	Includes Item #
6000SSHK	arms, springs, pins and retaining rings	2, 4, 5, 6

6000AS Series Side Seal Elbows



Bill of Materials

Item #	Description	Part #	Qty
1	bottom body	use kit 6030AS	1
2A	Baylast™ seal	4433	2
2B	FKM seal	4426	2
3	bolt	use kit 6000EHK	4
4	lock washer	use kit 6000EHK	4
5	retaining ring	TRUARC-5100-25	4
6	pin	L2311	2
7	spring	L2312	2
8	lip seal	L2373	1
9	arm	use kit 6000SSHK	2
10	O-ring	AS156	1

Repair Kits

Part #	Description	Includes Item #
6000ASK	lip seal and body O-ring	8, 10
6030AS	complete replacement bottom unit	1, 5, 6, 7, 8, 9, 10
6000EHK	lock washers and bolts	3, 4
6000SSHK	arms, springs, pins and reining rings	5, 6, 7, 9
6000ASR	arm lock ring	not illustrated

Product instruction sheets and technical data can be viewed on our website at canada.dixonvalve.com.

Fuel Delivery/Vapor Recovery

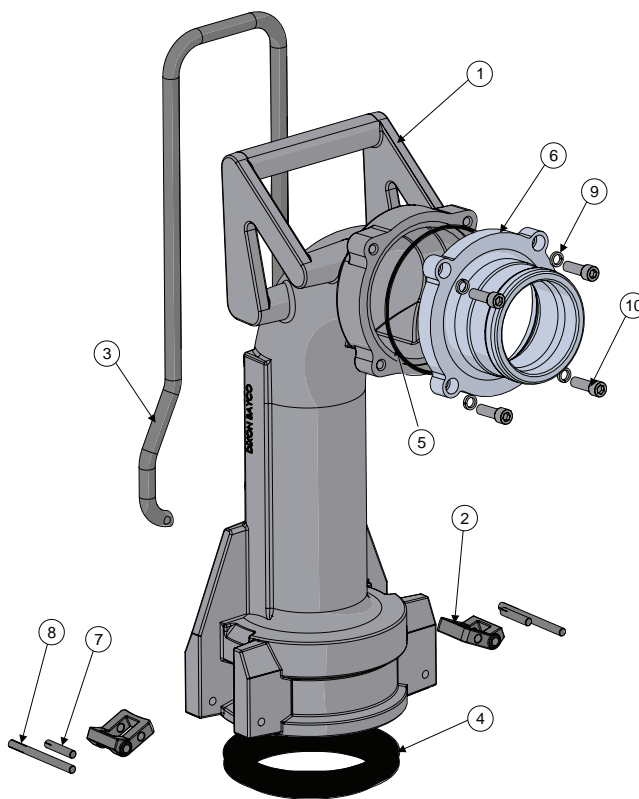
VR6100 Series Vapor Elbows

Bill of Materials

Item #	Description	Part #	Qty
1	body	---	1
2	cam	use kit VR6100CAK	2
3	lift handle	112138-L	1
4	seal	112245	1
5	O-ring	use kit VR6000-6	1
6	adapter 3"	use kit VR6000-6	1
7	grooved pin .25X1.25 SS	use kit VR6100CAK	2
8	grooved pin .25X3 SS	use kit VR6100CAK	2
9	lock washer	use kit 6000NPHK	4

Repair Kits

Part #	Description	Includes Item #
VR6100CAK	(2) cam and pin kit	2, 7, 8
6000NPHK	adapter kit includes (4) bolts and (4) lock washers	9, 10
112245	seals	4

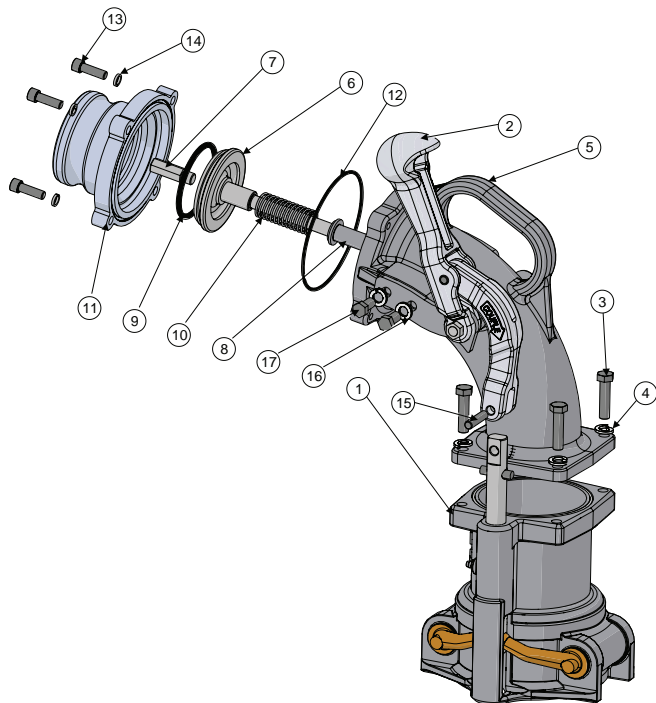


Product instruction sheets and technical data can be viewed on our website at canada.dixonvalve.com.

Fuel Delivery/Vapor Recovery

VR6500 Series Vapor Elbows

Bill of Materials



Item #	Description	Part #	Qty
1	complete bottom body	VR6230	1
2	handle assembly	use kit VR6500RK1	1
3	body bolt	use kit 6000EHK	4
4	body lock washer	use kit 6000EHK	4
5	elbow body	341784	1
6	poppet valve	VR6000-4	1
7	poppet valve stand off	VR6000-5	1
8	poppet bushing	VR6000-3	1
9	FKM O-ring	O-RING-AS-334	1
10	poppet spring	L1110-L2287	1
11	outlet adapter and O-ring	VR6000-6	1
12	outlet O-ring	110319	1
13	outlet adapter bolt	use kit 6000NPHK	4
14	outlet lock washer	use kit 6000NPHK	4
15	lower lever pin	111728	1
16	side plate lock washer	WASHER.375-SS	2
17	side plate bolt	112242	2

Repair Kits

Part #	Description	Includes Item #
VR6500RK1	handle, linkage, mounting plate, bolt, nut, bushing and pins	2
6000EHK	(4) body bolts and washers	3, 4
6000NPHK	adapter kit includes (4) bolts and (4) lock washers	13, 14

Product instruction sheets and technical data can be viewed on our website at canada.dixonvalve.com.

Fuel Delivery/Vapor Recovery

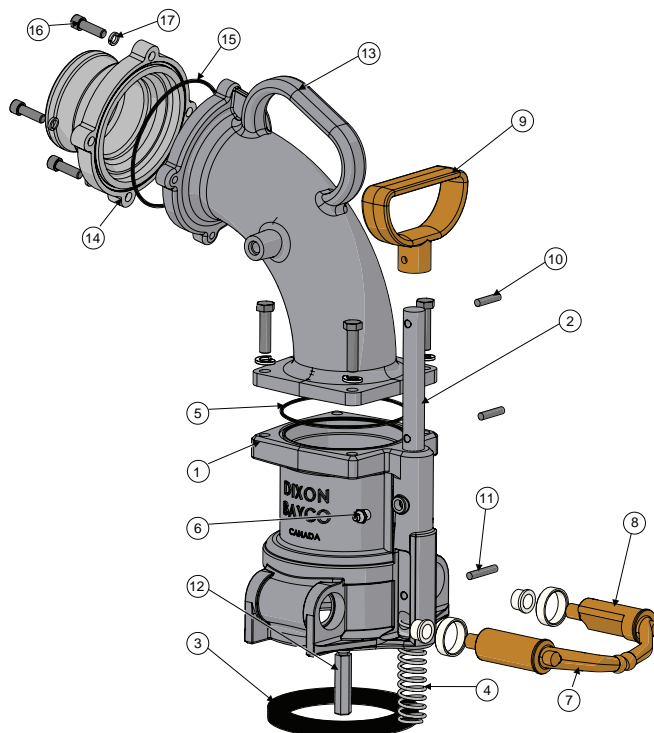
VR6000NP Series Vapor Elbows

Bill of Materials

Item #	Description	Part #	Qty
1	bottom body	VR6000-2	1
2	handle stem	390842	1
3	main seal gasket	6000-9	1
4	spring	112012	1
5	O-ring	AS156	1
6	grease nipple	NIPPLE/1	1
7	right arm	VR6000-8	1
8	left arm	VR6000-9	1
9	D-handle	6000-8	1
10	D-handle pin	6000-13	1
11	spring pin	6000-12	1
12	probe	VR6000-7	1
13	elbow body	VR6000-1	1
14	outlet adapter and O-ring	VR6000-6	1
15	outlet O-ring (only)	110319	1
16	outlet adapter bolt	use kit 6000NPHK	4
17	outlet adapter lock washer	use kit 6000NPHK	4

Repair Kits

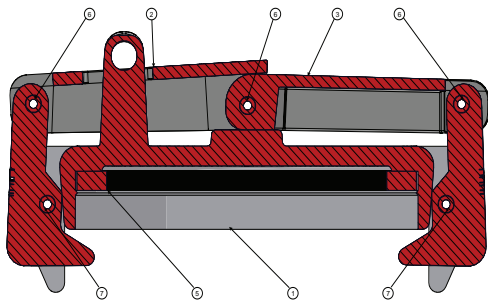
Part #	Description	Includes Item #
6000NPHK	adapter kit includes (4) bolts and (4) lock washers	16, 17
400637	complete bottom unit	1, 2, 3, 4, 5, 6, 7, 8, 9, 10, 11, 12



Product instruction sheets and technical data can be viewed on our website at canada.dixonvalve.com.

Fuel Delivery/Vapor Recovery

SA4050AL Caps

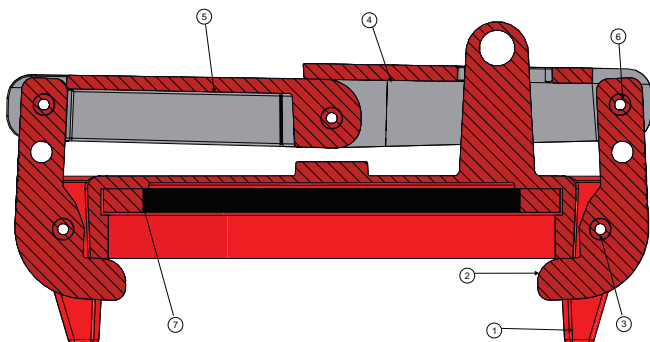


Bill of Materials

Item #	Description	Part #	Qty
1	cap body	---	1
2	top large lever	4050AL	1
3	minor lever	4062AL	1
4	cam arm	4063	2
5	gasket	400-G-BU	1
6	lever pin	4066	3
7	cam arm pin	4068	2

4" Vapor Caps

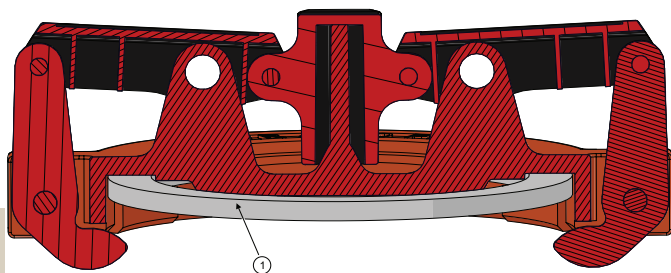
VR4050AL



Bill of Materials

Item #	Description	Part #	Qty
1	cap body	---	1
2	cam arm	VR4075	2
3	arm pin	4068	2
4	top large lever	VR4077	1
5	minor lever	VR4076	1
6	lever pin	4066	3
7	Buna gasket	400-G-BU	1

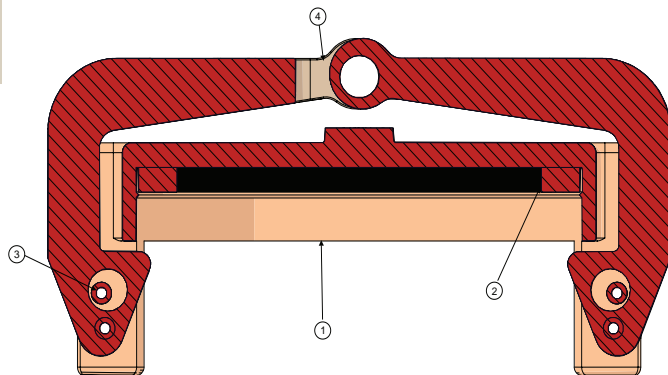
VR4050PL Series 4" Nylon Vapor Caps



Bill of Materials

Item #	Description	Part #	Qty
1	gasket	VR4050PLRK1	1

TL4070BZ Series Bronze Caps



Bill of Materials

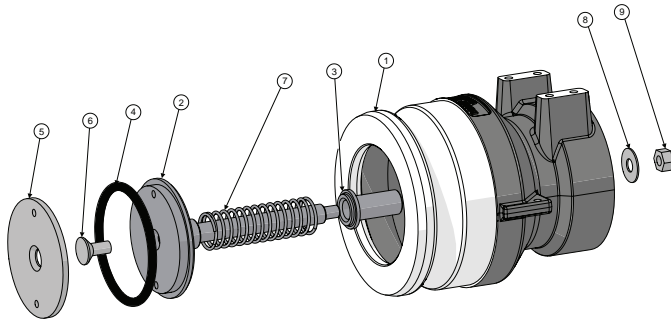
Item #	Description	Part #	Qty
1	cap body	---	1
2	Buna gasket	400-G-BU	1
3	arm pin	4068	4
4	arm (lever)	4071	2

Product instruction sheets and technical data can be viewed on our website at canada.dixonvalve.com.

Petroleum Replacement Parts

Fuel Delivery/Vapor Recovery

VR3100 Series 3" Vapor Hose Valves



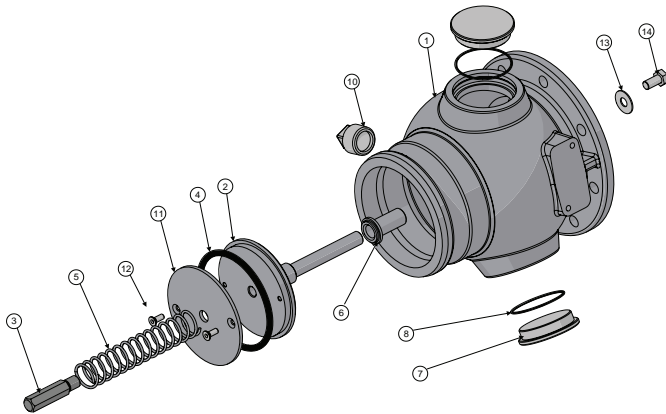
Bill of Materials

Item #	Description	Part #	Qty
1	body	---	1
2	valve	341827	1
3	bushing	VR6000-3	1
4	FKM O-ring	O-RING-AS-334	1
5	valve plate	VR4100-3	1
6	screw	SC5-16NCX.75FSS	1
7	valve spring	SPRING-L5123	1

Repair Kit

Part #	Description	Includes Item #
VR4100RK1	valve, bushing, O-ring, valve plate, screw, and spring	2, 3, 4, 5, 6, 7

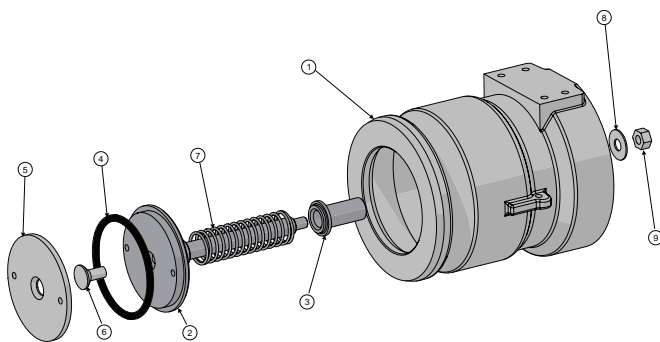
VR4000 Series 4" Vapor Hose Valves



Bill of Materials

Item #	Description	Part #	Qty
1	body	---	1
2	valve	VR4000-2	1
3	valve standoff	VR4000-3	1
4	valve O-ring	O-RING-AS339-V	1
5	spring	SPRG/L4432	1
6	bushing	VR6000-3	1
7	sight glass	VR4000-4	2
8	sight glass O-ring	O-RING#132	2
9	retaining ring	RING-VH-225	2
10	plug	110748	1
11	valve plate	VR4000-5	1
12	valve plate screws	SC1024375-SS	2
13	washer	112270	1
14	hex cap screw	112269	1

VR4100 Series 4" Vapor Hose Valves



Bill of Materials

Item #	Description	Part #	Qty
1	body	---	1
2	valve	341827	1
3	bushing	VR6000-3	1
4	FKM O-ring	O-RING-AS-334	1
5	valve plate	VR4100-3	1
6	screw	SC5-16NCX.75FSS	1
7	valve spring	SPRING-L5123	1
8	washer	112270	1
9	nut	112271	1

Repair Kit

Part #	Description	Includes Item #
VR4100RK1	valve, bushing, O-ring, valve plate, screw, and spring	2, 3, 4, 5, 6, 7

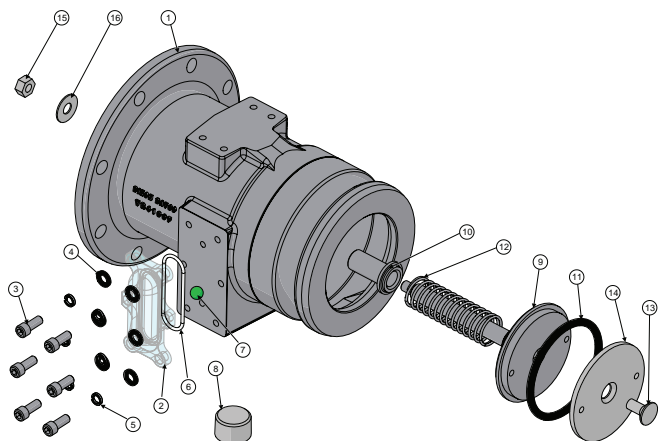
Petroleum Replacement Parts

Product instruction sheets and technical data can be viewed on our website at canada.dixonvalve.com.

Fuel Delivery/Vapor Recovery

VR4100F Series Vapor Hose Valves

Bill of Materials

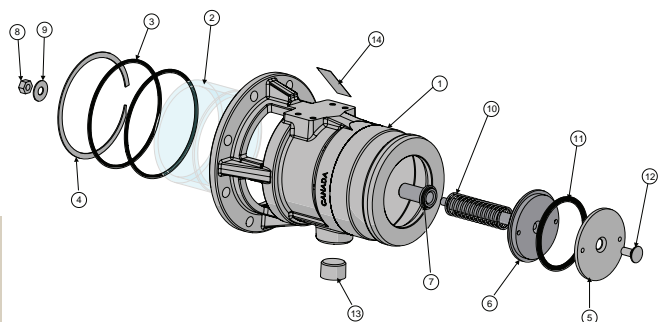


Item #	Description	Part #	Qty
1	body	---	1
2	sight glass	111575	1
3	sight glass bolts	111570	6
4	sight glass washer	111562	4
5	sight glass lock washer	111569	6
6	sight glass O-ring	111733	1
7	sight glass float ball	111572	1
8	¾" body plug	112044	1
9	valve	341827	1
10	bushing	VR6000-3	1
11	FKM valve O-ring	O-RING-AS-334	1
12	valve spring	SPRING-L5123	1
13	screw	SC5-16NCX.75FSS	1
14	valve plate	VR4100-3	1
15	washer	112271	1
16	nut	112270	1

Repair Kits

Part #	Description	Includes Item #
5204K8	sight glass, O-ring, float ball	2, 6, 7
5204K12	hex bolts (6), lock washers (6), washers (4) kit	3, 4, 5

VR4100F-SFI Series Vapor Hose Couplers



Bill of Materials

Item #	Description	Part #	Qty
1	body	341832	1
2	sight glass	391855	1
3	O-ring	112180	2
4	retaining ring	112281	1
5	plate	390663	1
6	valve	341827	1
7	bushing	390146	1
8	nut	112271	1
9	washer	112270	1
10	spring	111197	1
11	O-ring FKM	110691	1
12	screw	110842	1
13	plug	112044	1
14	warning label	112205	1

Petroleum Replacement Parts

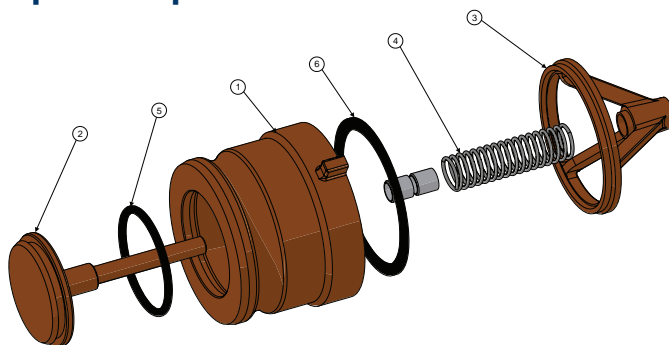
Product instruction sheets and technical data can be viewed on our website at canada.dixonvalve.com.

Fuel Delivery/Vapor Recovery

VR4086 Series Vapor Adapters

Bill of Materials

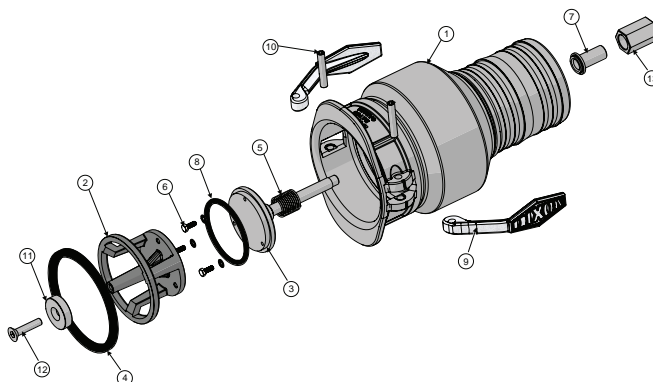
Item #	Description	Part #	Qty
1	body	---	1
2	valve	340331	1
3	valve spider	340304	1
4	spring	110892	1
5	FKM O-ring	O-RING-AS-334	1
6	body gasket	G4000AS	1



VR4040CS-AL and VR4040CS-4MNPT Vapor Hose Couplers

Bill of Materials

Item #	Description	Part #	Qty	
			AL	MNPT
1	body	341818	1	---
		341870	---	1
2	cage	341819	1	1
3	poppet	341820	1	1
4	gasket Buna -N	112262	1	1
5	spring	112263	1	1
6	machine screw	112264	3	3
7	bushing	390146	1	1
8	O-ring FKM	110691	1	1
9	paddle arm	40215SS	2	2
10	cam arm pin	40218SS	2	2
11	button	391860	1	1
12	poppet stop	391868	1	1
13	screw	112416	1	1
14	lock washer	111706	3	3



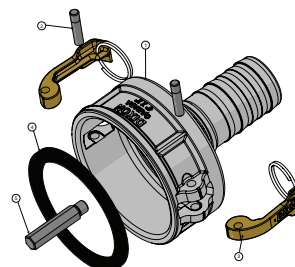
Repair Kits

Part #	Description	Includes Item #
VR4040CSRK1	seal repair kit	4, 6, 8
VR4040CSRK2	cam arm repair kit	9, 10
VR4040CSRK3	internal repair kit	2, 3, 5, 6, 7, 8, 11, 12, 13
VR4040CSB	vapor coupler body complete kit	
VR4030-AL45	3" x 45° hose shank kit	
VR4040-AL45	4" x 45° hose shank kit	
VR4040-ALS45	4" x 45° hose shank kit with swivel	

4020-CVR-AL Vapor Hose Couplers

Bill of Materials

Item #	Description	Part #	Qty
1	body	---	1
2	pin	325-P	2
3	cam arm with ring	300-HR-BR	2
4	gasket 4"	400-G-BU	1
5	probe	VR6000-7	1

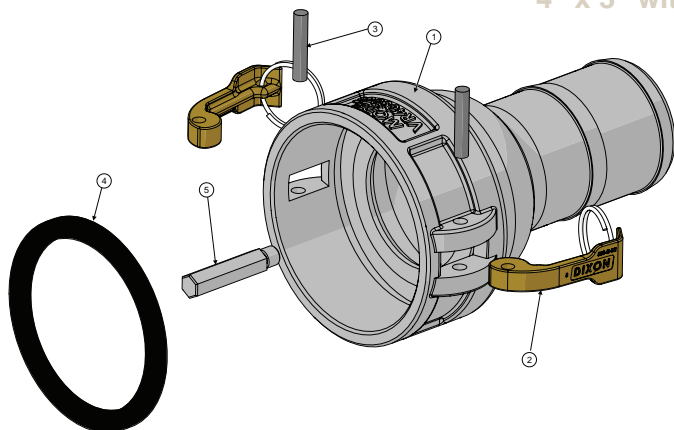


Product instruction sheets and technical data can be viewed on our website at canada.dixonvalve.com.

Fuel Delivery/Vapor Recovery

VR4030CS-NP Vapor Hose Couplers

4" x 3" without Poppet

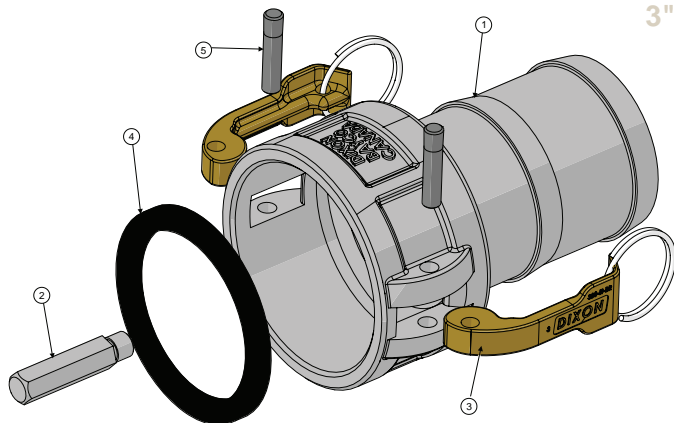


Bill of Materials

Item #	Description	Part #	Qty
1	body	---	1
2	cam arm and ring	300-HRP-BR	2
3	cam arm pin	300-HRP-BR	2
4	Buna coupler gasket	400-G-BU	1
5	probe	VR4030CS-3	1

VRC3000AL Vapor Hose Couplers

3" x 3"

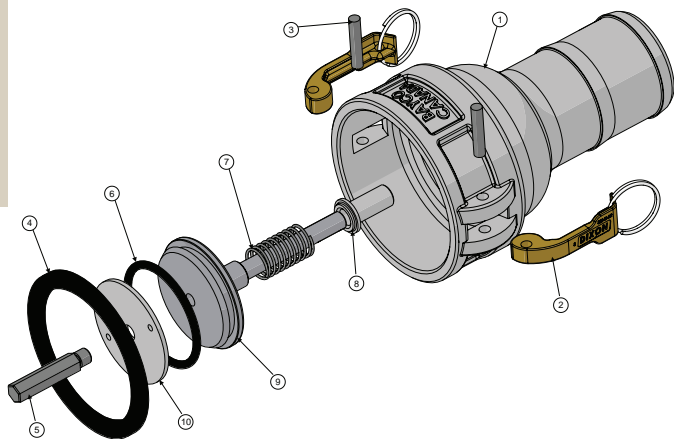


Bill of Materials

Item #	Description	Part #	Qty
1	body	---	1
2	probe	L4217	1
3	cam arm and ring	300-HRP-BR	2
4	Buna coupler gasket	300-G-BU	1
5	cam arm pin	300-HRP-BR	2

VR4030CS-AL Vapor Hose Couplers

4" x 3" with Poppet



Bill of Materials

Item #	Description	Part #	Qty
1	body	---	1
2	cam arm and ring	300-HRP-BR	2
3	cam pin	300-HRP-BR	2
4	Buna coupler gasket	400-G-BU	1
5	probe	VR6000-7	1
6	FKM valve O-ring	O-RING-AS-334	1
7	spring	SPRG/L4238	1
8	bushing	VR6000-3	1
9	valve	VR4030CS-1	1
10	valve plate	VR4030CS-4	1

Repair Kit

Part #	Description	Includes Item #
VAC4030RK	replacement cam arms, rings, pins, coupler gasket and valve O-ring	2, 3, 4, 6

Product instruction sheets and technical data can be viewed on our website at canada.dixonvalve.com.

Fuel Delivery/Vapor Recovery

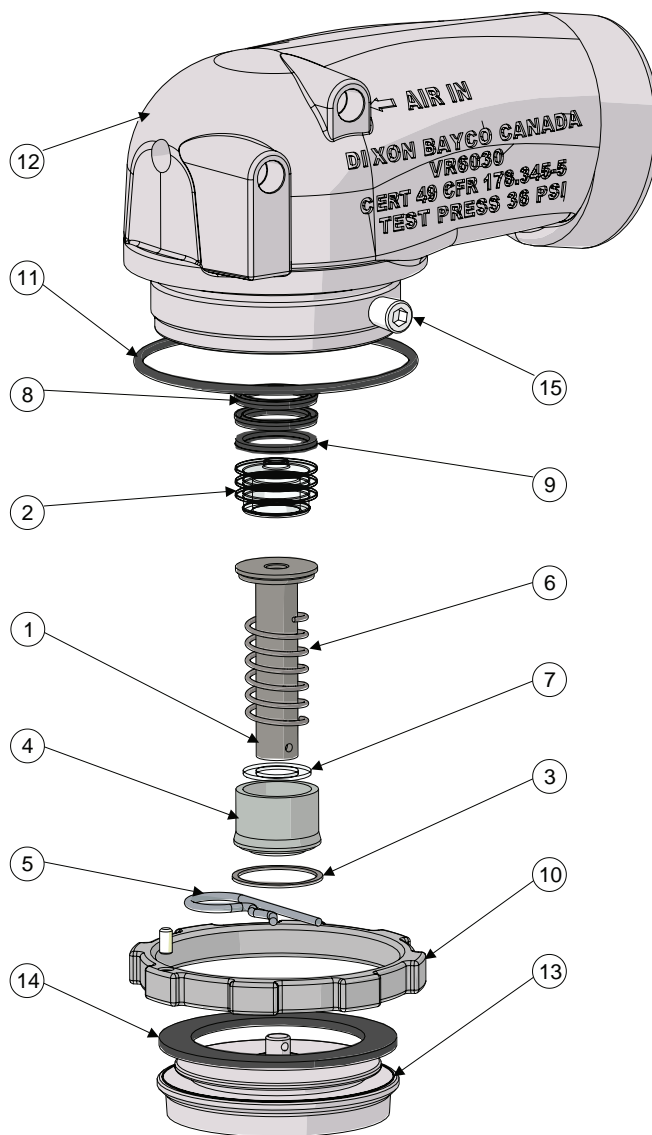
VR6030SQ Series Sequential Vapor Vents

Bill of Materials

Item #	Description	Part #	Qty
1	stem	400636	1
2	piston	use kit VR6030RK2	1
3	retaining ring	111681	1
4	bearing	390822	1
5	hitch pin	111680	1
6	spring	111679	1
7	bearing seal washer	111683	1
8	top lip seal	111686	2
9	bottom lip seal	111687	1
10A	mounting ring	390826	1
10B	mounting ring set screw	111693	1
11	O-ring	111692	1
12	body	---	1
13	poppet	341643	1
14A	Baylast™ poppet gasket	VR6030RK3	1
14B	FKM poppet gasket	VR6030RKV3	1
15	pipe plug	111694	1

VR6030 Repair Kits

Part #	Description	Includes Item #
VR6030RK1	seal kit with Baylast™ poppet seal	2, 3, 5, 8, 9, 11, 14A
VR6030RKV1	seal kit with FKM poppet seal	2, 3, 5, 8, 9, 11, 14B
VR6030RK2	piston assembly	2, 8, 9
VR6030RK3	Baylast™ poppet gasket	14
VR6030RKV3	FKM poppet gasket	14

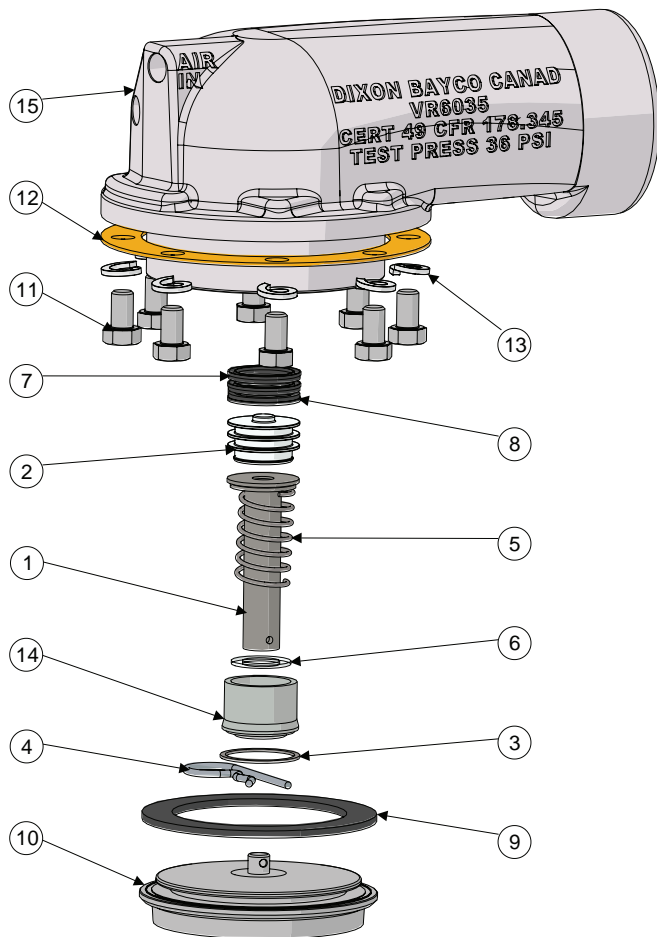


Petroleum Replacement Parts

Product instruction sheets and technical data can be viewed on our website at canada.dixonvalve.com.

Fuel Delivery/Vapor Recovery

VR6035SQ Series Sequential Vapor Vents



Bill of Materials

Item #	Description	Part #	Qty
1	stem assembly	400636	1
2	piston	use kit VR6030RK2	1
3	retaining ring	111681	1
4	cotter pin	111680	1
5	spring	111679	1
6	bearing seal washer	111683	1
7	lip seal	111686	2
8	lip seal	111687	1
9A	Baylast™ poppet gasket	VR6035RK3	1
9B	FKM poppet gasket	VR6035RKV3	1
10	poppet	341641	1
11	hex bolt	use kit VR6035RK4	8
12	body gasket	111689	1
13	lock washer	use kit VR6035RK4	8
14	stem bearing	390822	1
15	body	---	1

VR6035 Repair Kits

Part #	Description	Includes Item #
VR6035RK1	seal kit with Baylast™ poppet seal)	2, 3, 4, 7, 8, 9A, 12
VR6035RKV1	seal kit with FKM poppet seal	2, 3, 4, 7, 8, 9B, 12
VR6035RK2	piston assembly	2, 7, 8
VR6035RK3	Baylast™ poppet gasket	9A
VR6035RKV3	FKM poppet gasket	9B
VR6035RK4	(8) bolts and lock washers	11, 13

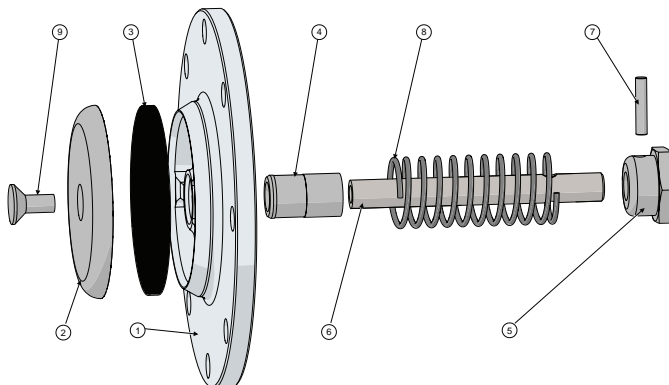
Product instruction sheets and technical data can be viewed on our website at canada.dixonvalve.com.

Fuel Delivery/Vapor Recovery

VRP3500 and VRP3600 Series Outbreathing Vents

Bill of Materials

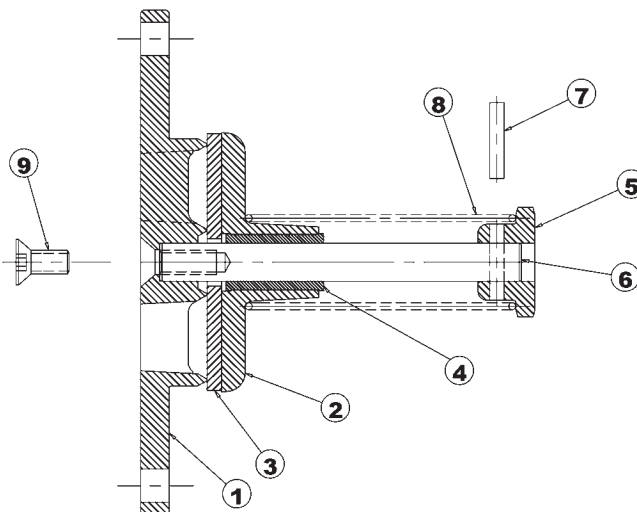
Item #	Description	Part #	Qty
1	body	---	1
2	gasket base	VRP3500-2	1
3	gasket	VRV3501-3	1
4	bushing	VRP3500-4	1
5	spring retainer	VRV3501-5	1
6A	shaft for VRP3500	VRP3501-6	1
6B	shaft for VRP3600	390552	1
7	shaft pin	110717	1
8	spring	SPRG-L4506	1
9	screw	SC5-16NCx.75FSS	1



VRV3501 Series Inbreathing Vents

Bill of Materials

Item #	Description	Part #	Qty
1	body	---	1
2	gasket base	VRV3501-2	1
3	gasket	VRV3501-3	1
4	bushing	VRV3501-4	1
5	spring retainer	VRV3501-5	1
6	shaft	VRV3501-6	1
7	pin	110717	1
8	spring	SPRG-L4506	1
9	screw	SC5-16NCx.75FSS	1



Petroleum
Replacement Parts

Product instruction sheets and technical data can be viewed on our website at canada.dixonvalve.com.

Fuel Tanker

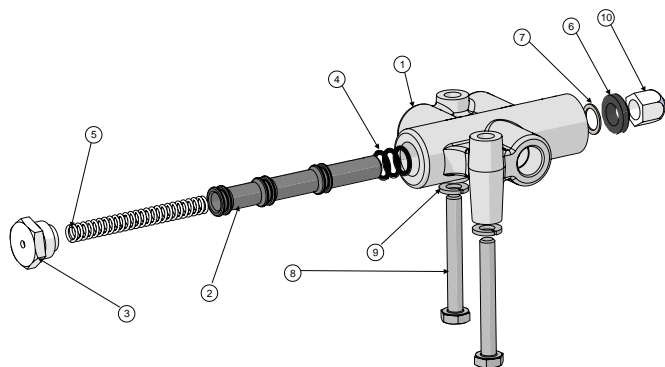
TDF Series Tube Doors



Repair Kits

Part #	Description
TDF68RK	6" and 8" repair kit, includes stainless steel spring, bushings and pin
TDF7RK	7" repair kit, includes stainless steel spring, bushings, pin and washer
SPRG-A4630	stainless steel spring only

5000AIR Series Roller Ball End Air Interlock Valves



Bill of Materials

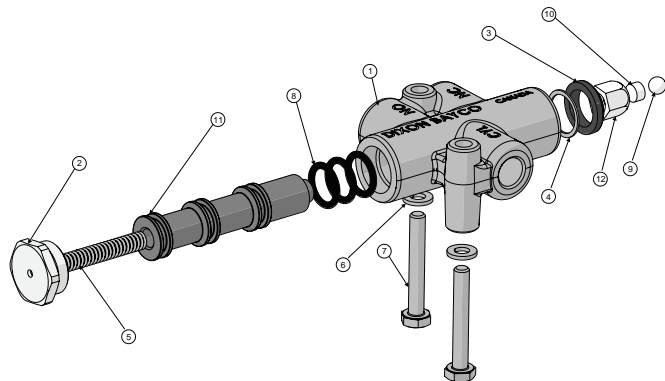
Item #	Description	Part #	Qty
1	body	---	1
2	piston	use kit 5000AIRSK	1
3	end plug	use kit 5000AIRSK	1
4	Buna O-ring	use kit 5000AIRSK	3
5	spring	use kit 5000AIRSK	1
6	urethane wiper	use kit 5000AIRSK	1
7	retaining ring	110755	1
8	mounting bolts	use kit 5000AIHK	2
9	lock washer	use kit 5000AIHK	2
10	roller ball assembly	5000AIRRK1	1

Repair Kits

Part #	Description	Includes Item #
5000AIHK	mounting bolts and lock washers	8, 9
5000AIRSK	piston and seal kit	2, 3, 4, 5, 6
5000AIRRK1	roller ball	10

5000AIRHD Series Heavy-Duty Roller Ball End Air Interlock Valves

Petroleum Replacement Parts



Bill of Materials

Item #	Description	Part #	Qty
1	body	---	1
2	end plug	391848	1
3	wiper	112260	1
4	retaining ring	112261	1
5	spring	110897	1
6	lock washer	110928	2
7	mounting bolts	111196	2
8	O-ring	111SS3	3
9	ball	100202	1
10	bearing	390104	1
11	piston	391858	1
12	roller head cap	390105	1

Repair Kits

Part #	Description	Includes Item #
5000AIHK	mounting bolts and lock washers	6, 7
5000AIRHDSK	piston and seal kit	2, 3, 5, 8, 11
5000AIRRK1	roller ball	9

Product instruction sheets and technical data can be viewed on our website at canada.dixonvalve.com.

Fuel Tanker

5000AI Series Button Plunger End Air Interlock Valves

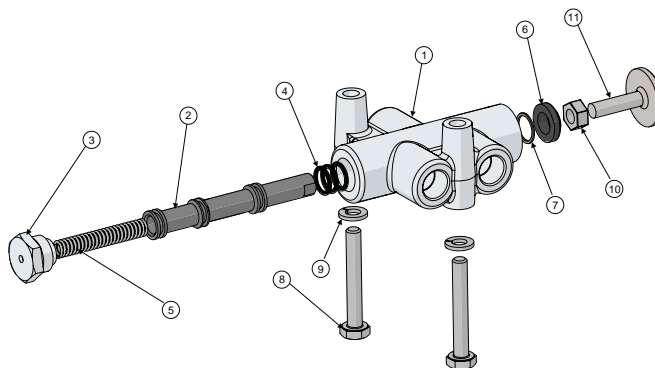
5000AI, 5000AIS and AIST

Bill of Materials

Item #	Description	Part #	Qty
1	body	---	1
2	piston	use kit 5000AISK	1
3A	end plug (5000AI, 5000AIST)	use kit 5000AISK	1
3B	electronic switch kit (not illustrated, for 5000AIS)	5000S	1
4	Buna O-ring	use kit 5000AISK	3
5	spring	use kit 5000AISK	1
6	urethane wiper	use kit 5000AISK	1
7	retaining ring	RING-WH-50	1
8	mounting bolt	use kit 5000AIHK	2
9	lock washer	use kit 5000AIHK	2
10	plunger nut	NUT.25HX-SS	1
11A	1" SS plunger button (5000AI)	use kit 5000AIRK1	1
11B	1½" SS plunger button (5000AIST)	use kit 5000ST	1

Repair Kits

Part #	Description	Includes Item #
5000AIHK	mounting bolt, lock washer	8, 9
5000AISK	piston, end plug, spring, O-ring, rod wiper	2, 3A, 4, 5, 6
5000AIRK1	plunger end, nut	10, 11A
5000ST	1½" plunger button and nut	10, 11B
5000S	electronic switch attachment kit	3B
5000AIRK2 112024	plunger button extension and sleeve kit Buna O-ring	-- 4



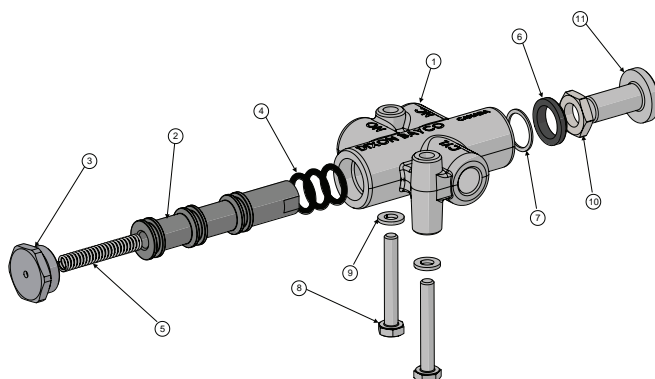
5000AIHD Series Heavy-Duty Air Interlock Valve

Bill of Materials

Item #	Description	Part #	Qty
1	body	---	1
2	piston	use kit 5000AIHDSK	1
3	end plug	use kit 5000AIHDSK	1
4	O-ring	use kit 5000AIHDSK	3
5	spring	use kit 5000AIHDSK	1
6	wiper	use kit 5000AIHDSK	1
7	retaining ring	112251	1
8	mounting bolts	use kit 5000AIHK	2
9	lock washer	use kit 5000AIHK	2
10	nut	390909	1
11A	1" plunger end	use kit 5000AIHDRK1	1
11B	1½" plunger end	use kit 5000STHD	1

Repair Kits

Part #	Description	Includes Item #
5000AIHK	mounting bolts and lock washers	8, 9
5000AIHDSK	piston and seal kit	2, 3, 4, 5, 6
5000AIHDRK1	1" plunger assembly	10, 11A
5000STHD	1½" plunger assembly	10, 11B
111553	O-ring	4

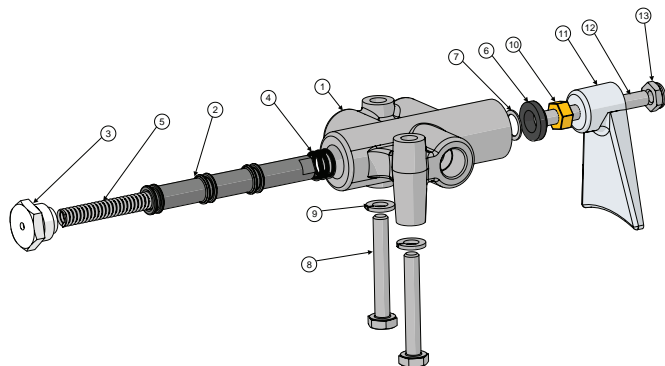


Petroleum
Replacement Parts

Product instruction sheets and technical data can be viewed on our website at canada.dixonvalve.com.

Fuel Tanker

5000AIV Series Paddle End Air Interlock Valves



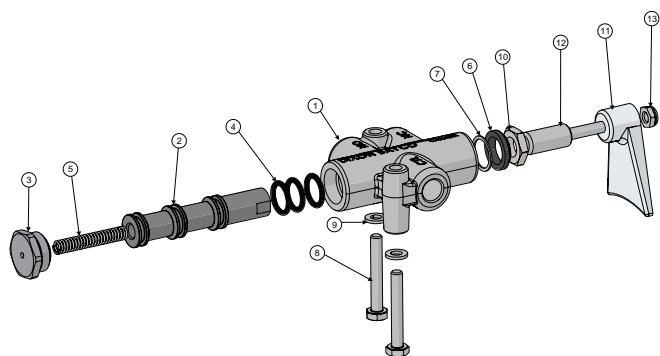
Bill of Materials

Item #	Description	Part #	Qty
1	body	---	1
2	piston	use kit 5000AISK	1
3	end plug	use kit 5000AISK	1
4	Buna O-ring	use kit 5000AISK	3
5	spring	use kit 5000AISK	1
6	urethane wiper	use kit 5000AISK	1
7	retaining ring	110755	1
8	mounting bolt	use kit 5000AIHK	2
9	lock washer	use kit 5000AIHK	2
10	paddle nut	NUT.25HX-SS	1
11	paddle plunger	5000AI-2	1
12	paddle plunger stud	5000AI-5	1
13	paddle plunger lock nut	112370	1

Repair Kits

Part #	Description	Includes Item #
5000AIHK	mounting bolt, lock washer	8, 9
5000AISK	piston, end plug, spring, O-ring, rod wiper	2, 3, 4, 5, 6

5000AIVHD Series Heavy-Duty Paddle End Air Interlock Valves



Bill of Materials

Item #	Description	Part #	Qty
1	body	---	1
2	piston	use kit 5000AIHDSK	1
3	end plug	use kit 5000AIHDSK	1
4	O-ring	use kit 5000AIHDSK	1
5	spring	use kit 5000AIHDSK	1
6	wiper	use kit 5000AIHDSK	1
7	retaining ring	WH-77	1
8	mounting bolts	use kit 5000AIHK	2
9	lock washer	use kit 5000AIHK	2
10	nut	390909	3
11	paddle end	341142	1
12	stud	390910	1
13	lock nut	112370	1

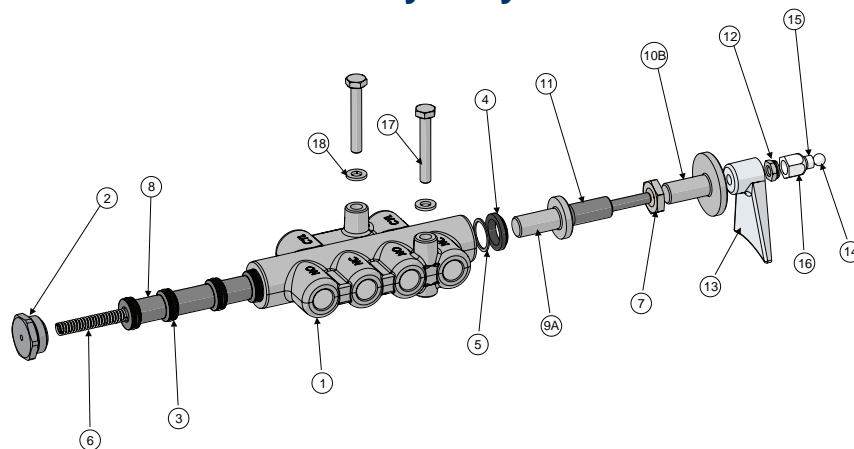
Repair Kits

Part #	Description	Includes Item #
5000AIHK	mounting bolt, lock washer	8, 9
5000AIHDSK	piston and seal kit	2, 3, 4, 5, 6

Petroleum Replacement Parts

Fuel Tanker

5006AIHD Series Heavy-Duty Air Interlock Valves



Bill of Materials

Item #	Description	5006AIHD	5006AISTHD	5006AIVHD	5006AIRHD
1	body	1	1	1	1
2	end plug	1	1	1	1
3	O-ring	5	5	5	5
4	wiper	1	1	1	1
5	retaining ring	1	1	1	1
6	spring	1	1	1	1
7	hex jam nut	1	1	1	1
8A	piston	1	1	1	-
8B	piston for air	-	-	-	1
9A	1" plunger end	1	-	-	-
10B	1½" plunger end	-	1	-	-
11	paddle plunger stud	-	-	1	-
12	nylon locknut	-	-	1	-
13	paddle plunger	-	-	1	-
14	ball	-	-	-	1
15	bearing	-	-	-	1
16	roller head cap	-	-	-	1
17	mounting bolt	2	2	2	2
18	lock washer	2	2	2	2

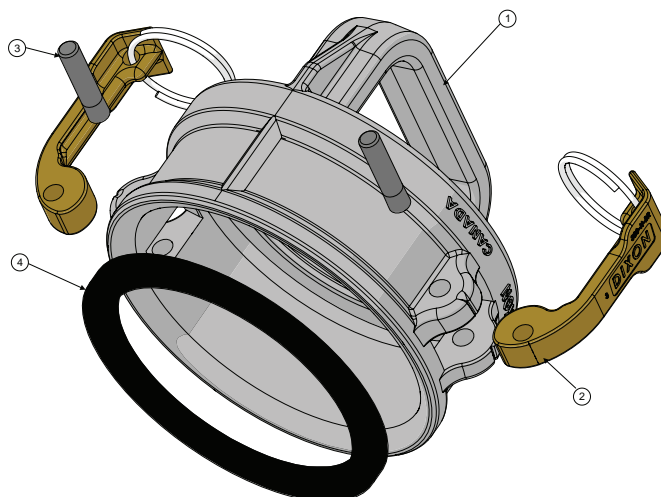
Repair Kits

Part #	Description	Includes Item #
5006AIHDSK	piston and seal kit for 5006AIHD and 5006AIVHD	2, 3, 4, 6, 8A
5006AIRHDSK	piston and seal kit for 5006AIRHD	2, 3, 4, 6, 8B

400-DC-ALPH Dust Caps with Handle

Bill of Materials

Item #	Description	Part #	Qty
1	dust cap with handle	400-DC-ALPH	1
2	cam arm with ring	300-HR-BR	2
3	pin	325-P	2
4	4" gasket	400-G-BU	1



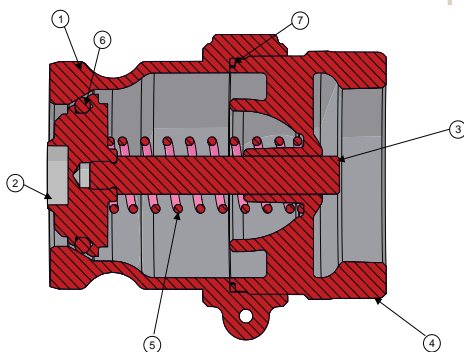
Petroleum Replacement Parts

Product instruction sheets and technical data can be viewed on our website at canada.dixonvalve.com.

Dry Disconnects

DBA Cam and Groove Dry Disconnects

Aluminum and Stainless Steel Adapters



1½" Aluminum Adapter (DBA6x), Zinc Adapter (DBA1x) Bill of Materials DBA1x-150, DBA6x-150 and DBA1x-1520

Item #	Description	Part #	Qty
1A	aluminum adapter body (DBA6x-150)	40129AL	1
1B	zinc adapter body (DBA1x-150 and 1520)	40129ZA	1
2	poppet	40130AL	1
3A	stem (DBA1x-150 and DBA1x-1520)	40133BR	1
3B	stem (for DBA6x-150)	40133SS-001	1
4A	thread end body	40131AL	1
4B	thread end body (for DBA1x1520)	40303AL	1
5	poppet spring	40132SS	1
6A	poppet O-ring Buna	use kit DBAK1-150	1
6B	poppet O-ring FKM	use kit DBAK2-150	1
6C	poppet O-ring PTFE/silicone	use kit DBAK3-150	1
6D	poppet O-ring EPDM	use kit DBAK4-150	1
6E	poppet O-ring Kalrez™	use kit DBAK6-150	1
6F	poppet O-ring PTFE/FKM	use kit DBAK7-150	1
7A	body O-ring PTFE	use kit DBAK1-150	1
7B	body O-ring FKM	use kit DBAK2-150	1
7C	body O-ring PTFE	use kit DBAK3-150, DBAK6-150 or DBAK7-150	1
7D	body O-ring EPDM	use kit DBAK4-150	1

1½" Stainless Steel Adapter Bill of Materials DBA7x-150

Item #	Description	Part #	Qty
1	stainless steel adapter body	40129SS	1
2	poppet	40130SS	1
3	stem	40133SS-002	1
4	thread end body	40131SS	1
5	poppet spring	40132SS	1
6A	poppet O-ring Buna	use kit DBAK1-150	1
6B	poppet O-ring FKM	use kit DBAK2-150	1
6C	poppet O-ring PTFE/silicone	use kit DBAK3-150	1
6D	poppet O-ring EPDM	use kit DBAK4-150	1
6E	poppet O-ring Kalrez™	use kit DBAK6-150	1
6F	poppet O-ring PTFE/FKM	use kit DBAK7-150	1
7A	body O-ring PTFE	use kit DBAK1-150	1
7B	body O-ring FKM	use kit DBAK2-150	1
7C	body O-ring PTFE	use kit DBAK3-150, DBAK6-150 or DBAK7-150	1
7D	body O-ring EPDM	use kit DBAK4-150	1

2" Aluminum Adapter (DBA6x), Zinc Adapter (DBA1x) Bill of Materials DBA1x-200, DBA6x-200

Item #	Description	Part #	Qty
1A	aluminum adapter body (DBA6x-200)	40001AL	1
1B	zinc adapter body (DBA1x-200)	40001ZA	1
2	poppet	40002AL	1
3A	stem (for DBA1x-200)	40005BR	1
3B	stem (for DBA6x-200)	40005SS-001	1
4	thread end body	40003AL	1
5	poppet spring	40004SS	1
6A	poppet O-ring Buna	use kit DBAK1-200	1
6B	poppet O-ring FKM	use kit DBAK2-200	1
6C	poppet O-ring PTFE/silicone	use kit DBAK3-200	1
6D	poppet O-ring EPDM	use kit DBAK4-200	1
6E	poppet O-ring Kalrez™	use kit DBAK6-200	1
6F	poppet O-ring PTFE/FKM	use kit DBAK7-200	1
7A	body O-ring PTFE	use kit DBAK1-200	1
7B	body O-ring FKM	use kit DBAK2-200	1
7C	body O-ring PTFE	use kit DBAK3-200, DBAK6-200 or DBAK7-200	1
7D	body O-ring EPDM	use kit DBAK4-200	1

2" Stainless Steel Adapter Bill of Materials DBA7x-200

Item #	Description	Part #	Qty
1	stainless steel adapter body	40001SS	1
2	poppet	40002SS	1
3	stem	40005SS-002	1
4	thread end body	40003SS	1
5	poppet spring	40004SS	1
6A	poppet O-ring Buna	use kit DBAK1-200	1
6B	poppet O-ring FKM	use kit DBAK2-200	1
6C	poppet O-ring PTFE/silicone	use kit DBAK3-200	1
6D	poppet O-ring EPDM	use kit DBAK4-200	1
6E	poppet O-ring Kalrez™	use kit DBAK6-200	1
6F	poppet O-ring PTFE/FKM	use kit DBAK7-200	1
7A	body O-ring PTFE	use kit DBAK1-200	1
7B	body O-ring FKM	use kit DBAK2-200	1
7C	body O-ring PTFE	use kit DBAK3-200, DBAK6-200 or DBAK7-200	1
7D	body O-ring EPDM	use kit DBAK4-200	1

Product instruction sheets and technical data can be viewed on our website at canada.dixonvalve.com.

Dry Disconnects

DBA Cam and Groove Dry Disconnects

Aluminum and Stainless Adapters

3" Aluminum Adapter (DBA6x), Zinc Adapter (DBA1x)

Bill of Materials

DBA1x-300, DBA6x-300

Item #	Description	Part #	Qty
1	aluminum adapter body	40180AL	1
1B	zinc adapter body	40180ZA	1
2	poppet	40182AL	1
3	stem	40183BR	1
4	thread end body	40181AL	1
5	poppet spring	40184SS	1
6A	poppet O-ring Buna	use kit DBAK1-300	1
6B	poppet O-ring FKM	use kit DBAK2-300	1
6C	poppet O-ring PTFE/silicone	use kit DBAK3-300	1
6D	poppet O-ring EPDM	use kit DBAK4-300	1
6E	poppet O-ring Kalrez™	use kit DBAK6-300	1
6F	poppet O-ring PTFE/FKM	use kit DBAK7-300	1
6G	poppet O-ring FKM - B	use kit DBAK9-300	1
7A	body O-ring PTFE	use kit DBAK1-300	1
7B	body O-ring FKM	use kit DBAK2-300	1
7C	body O-ring PTFE	use kit DBAK3-300, DBAK6-300 or DBAK7-300	1
7D	body O-ring EPDM	use kit DBAK4-300	1
7E	body O-ring FKM-B	use kit DBAK9-300	1

3" Stainless Steel Adapter

Bill of Materials

DBA7x-300

Item #	Description	Part #	Qty
1	stainless adapter body	40180SS	1
2	poppet	40182SS	1
3	stem	40183SS	1
4	thread end body	40181SS	1
5	poppet spring	40184SS	1
6A	poppet O-ring Buna	use kit DBAK1-300	1
6B	poppet O-ring FKM	use kit DBAK2-300	1
6C	poppet O-ring PTFE/silicone	use kit DBAK3-300	1
6D	poppet O-ring EPDM	use kit DBAK4-300	1
6E	poppet O-ring Kalrez™	use kit DBAK6-300	1
6F	poppet O-ring PTFE/FKM	use kit DBAK7-300	1
6G	Poppet O-ring FKM-B	use kit DBAK9-300	1
7A	body O-ring PTFE	use kit DBAK1-300	1
7B	body O-ring FKM	use kit DBAK2-300	1
7C	body O-ring PTFE	use kit DBAK3-300	1
7D	body O-ring EPDM	use kit DBAK4-300	1
7E	body O-ring FKM-B	use kit DBAK9-300	1

Repair Kits

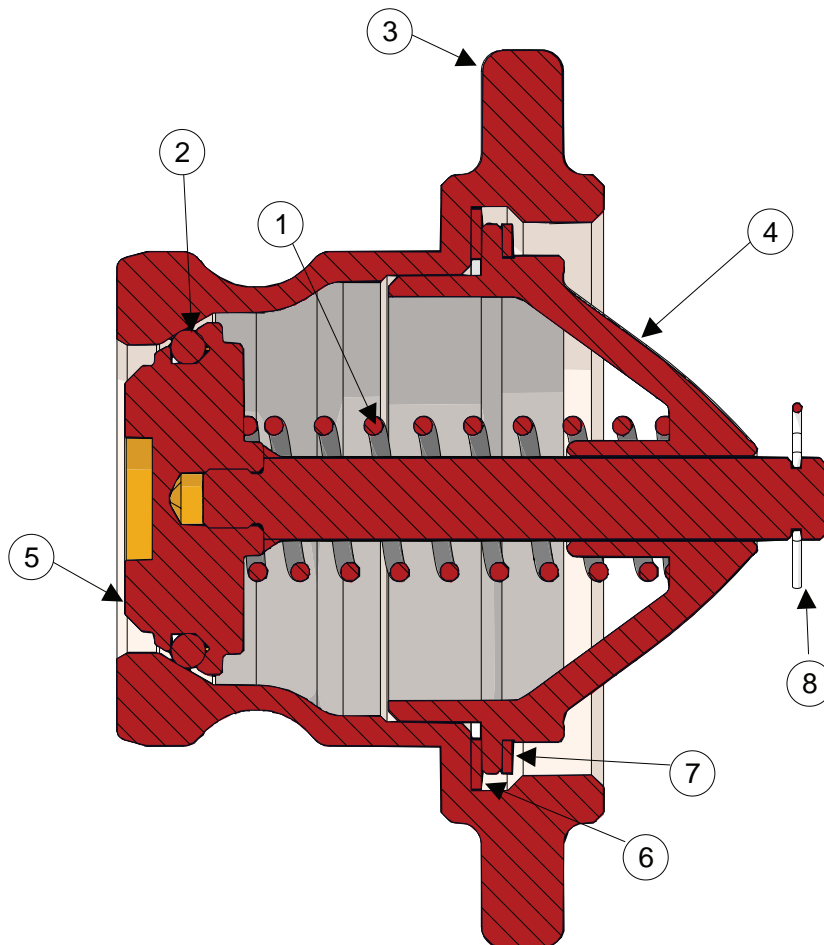
Part #	Description	Includes Item #
DBAK1-150	1½" Buna seals	6A, 7A
DBAK2-150	1½" FKM seals	6B, 7B
DBAK3-150	1½" PTFE/silicone seals	6C, 7C
DBAK4-150	1½" EPDM seals	6D, 7D
DBAK6-150	1½" PTFE/Kalrez™ seals	6E, 7C
DBAK7-150	1½" PTFE/FKM seals	6F, 7C
DBAK1-200	2" Buna seals	6A, 7A
DBAK2-200	2" FKM seals	6B, 7B
DBAK3-200	2" PTFE/silicone seals	6C, 7C
DBAK4-200	2" EPDM seals	6D, 7D
DBAK6-200	2" PTFE/Kalrez™ seals	6E, 7C
DBAK7-200	2" PTFE/FKM seals	6F, 7C
DBAK1-300	3" PTFE seals	6A, 7A
DBAK2-300	3" FKM seals	6B, 7B
DBAK3-300	3" PTFE/silicone seals	6C, 7C
DBAK4-300	3" EPDM seals	6D, 7D
DBAK6-300	3" PTFE/Kalrez™ seals	6E, 7C
DBAK7-300	3" PTFE/FKM seals	6F, 7C
DBAK9-300	3" FKM-B seals	6G, 7E

Product instruction sheets and technical data can be viewed on our website at canada.dixonvalve.com.

Dry Disconnects

DBVA Cam and Groove Dry Disconnects

Stainless Vapor Adapter



2" x 3" Stainless Steel Vapor Adapter Bill of Materials DBVA73-200

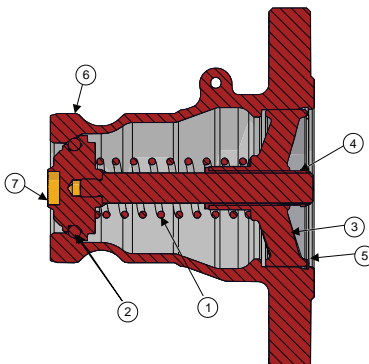
Item #	Description	Part #	Qty
1	spring	40004SS	1
2	poppet O-ring PTFE/silicone	40006TS	1
3	adapter body	not available	---
4	bridge	40175SS	1
5	poppet assembly	40187SSSS	1
6	large body gasket	40190TF	1
7	small body gasket	40191TF	1
8	poppet clip	40192SS	1

Product instruction sheets and technical data can be viewed on our website at canada.dixonvalve.com

Dry Disconnects

DBAF Cam and Groove Dry Disconnects

Stainless Flange Adapters



2" Flange x 1½" Stainless Steel Adapter Bill of Materials DBAF7x-1520

Item #	Description	Part #	Qty
1	spring	40004SS	1
2A	poppet O-ring Buna	40134BN	1
2B	poppet O-ring FKM	40134VI	1
2C	poppet O-ring PTFE/silicone	40134TS	1
2D	poppet O-ring EPDM	40134EP	1
2E	poppet O-ring FFKM	40134KR	1
3	bridge	40341SS	1
4	bearing	40343TF	1
5	retaining ring	40344SS	1
6	body	---	1
7	poppet assembly	40347SSSS	1

2" Flange x 2" Stainless Steel Adapter Bill of Materials DBAF7x-200

Item #	Description	Part #	Qty
1	spring	40004SS	1
2A	poppet O-ring Buna	40006BN	1
2B	poppet O-ring FKM	40006VI	1
2C	poppet O-ring PTFE/silicone	40006TS	1
2D	poppet O-ring EPDM	40006EP	1
2E	poppet O-ring FFKM	40006KR	1
3	bridge	40341SS	1
4	bearing	40343TF	1
5	retaining ring	40344SS	1
6	body	---	1
7	poppet assembly	40342SSSS	1

3" Flange x 3" Stainless Steel Adapter Bill of Materials DBAF7x-300

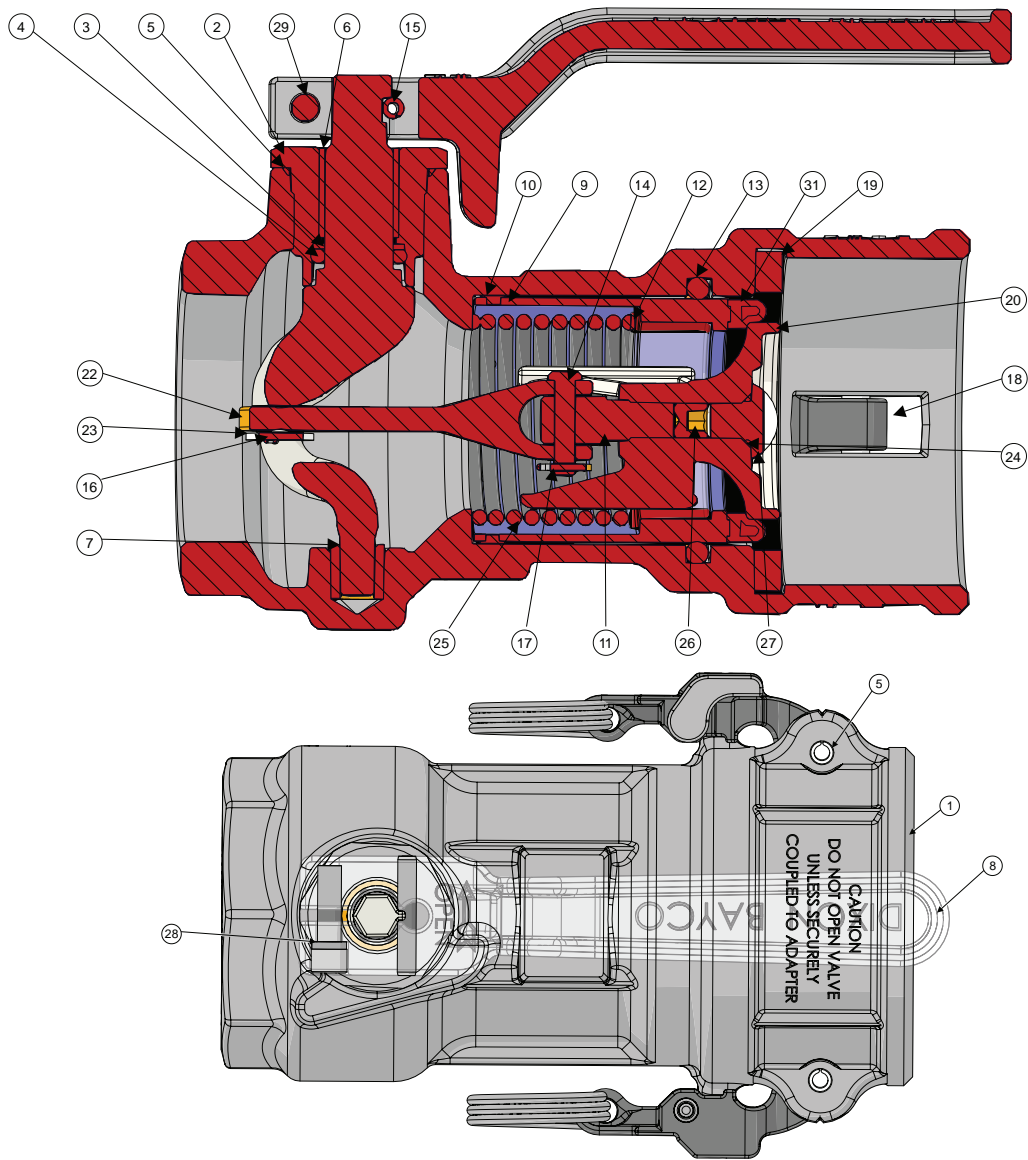
Item #	Description	Part #	Qty
1	spring	40184SS	1
2A	poppet O-ring Buna	40185BN	1
2B	poppet O-ring FKM	40185VI	1
2C	poppet O-ring PTFE/silicone	40185TS	1
2D	poppet O-ring EPDM	40185EP	1
2E	poppet O-ring FFKM	40185KR	1
3	bridge	40360SS	1
4	bearing	40362TF	1
5	retaining ring	40361SS	1
6	body	---	1
7	poppet assembly	40359SSSS	1

Product instruction sheets and technical data can be viewed on our website at canada.dixonvalve.com

Dry Disconnects

DBC Cam and Groove Dry Disconnects

Aluminum and Stainless Steel Couplers



Bill of materials and repair kits can be found on the following pages:

- DBC6x-150 see page 113
- DBC7x-150 see page 114
- DBC6x-200 see page 115
- DBC7x-200 see page 116
- DBC6x-300 see page 118
- DBC7x-300 see page 119
- DBS6x-200 see page 121

Product instruction sheets and technical data can be viewed on our website at canada.dixonvalve.com.

Dry Disconnects

DBC Cam and Groove Dry Disconnects

1½" Aluminum Couplers

1½" Aluminum Coupler

Bill of Materials

DBC6x-150

Refer to drawing on page 112.

Item #	Description	Part #	Qty
1	body	---	1
2	stuffing box	40074SS	1
3	back up ring	40075TF	1
4A	crank shaft O-ring Buna (for DBC61-150)	40076BN	1
4B	crank shaft O-ring FKM (for DBC62-150)	40076VI	1
4C	crank shaft O-ring FFKM (for DBC63-150)	40076KR	1
4D	crank shaft O-ring EPDM (for DBC63-150, DBC66-150 and DBC67-150)	40076EP	1
5	stuffing box PTFE O-ring	40077TF	1
6	large crank shaft bearing	40078FG	1
7	small crank shaft bearing	40079SS	1
8	lever (handle)	40080SS	1
9A	seal cylinder (for DBC61-150)	40117ALBN	1
9B	seal cylinder (for DBC62-150)	40117ALVI	1
9C	seal cylinder (for DBC63-150, DBC66-150 and DBC67-150)	40169SS	1
9D	seal cylinder (for DBC64-150)	40117ALEP	1
10	PTFE button	40082TF	6
11	yoke	40118SS	1
12	PTFE bushing	40119TF	1
13A	body O-ring Buna (for DBC61-150)	40120BN	1
13B	body O-ring FKM (for DBC62-150)	40120VI	1
13C	body O-ring PTFE/silicone (for DBC63-150)	40120TS	1
13D	body O-ring EPDM (for DBC64-150)	40120EP	1
13E	body O-ring FFKM (for DBC66-150)	40120KR	1
13F	body O-ring PTFE/FKM (for DBC67-150)	40120TV	1
14	link rivet	40086SS	1
15	groove pin	40087SS	1
16	crank shaft cotter pin	40088SS	1
17	link cotter pin	40088SS	1
18	EZ Boss-Lock™ cam arm	40089SS	2
19A	cam gasket Buna (for DBC61-150)	200-G-BU	1
19B	cam gasket FKM (for DBC62-150)	200-G-VI	1
19C	cam gasket PTFE/silicone (for DBC63-150)	200-G-TES	1
19D	cam gasket EPDM (for DBC64-150)	200-G-EPR	1
19E	cam gasket PTFE/FKM (for DBC66-150 and DBC67-150)	200-G-TFVI	1
20	poppet	40114SS	1
21	crank shaft	40115SS	1
22	link arm	40116SS	1
23	link washer	40094SS	1
24	poppet screw PTFE O-ring	40122TF	1
25	cylinder spring	DBCxx-150RK8	1
26	set screw	40124SS	1
27	poppet screw (round head)	40125SS	1
28	lock washer	40099SS	1
29	socket head cap screw	40100SS	1
30	cam arm spring pin	40101SS	2
31	nose seal (for DBC63-150, DBC66-150 and DBC67-150)	40171TF	1

Repair Kits

Part #	Description	Includes Item #
DBCx1-150RK1 (Buna-N)	seal kit, Buna crank shaft O-ring, PTFE stuffing box O-ring, Buna body O-ring, Buna cam gasket, PTFE O-ring (for DBC61-150)	4A, 5, 13A, 19A, 24
DBCx2-150RK1 (FKM)	seal kit, FKM crank shaft O-ring, PTFE stuffing box O-ring, FKM body O-ring, FKM cam gasket, PTFE O-ring (for DBC62-150)	4B, 5, 13B, 19B, 24
DBCx3-150RK1 (PTFE and FFKM)	seal kit, FFKM crank shaft O-ring, PTFE stuffing box O-ring, PTFE/silicone body O-ring, PTFE/silicone cam gasket, PTFE O-ring (for DBC63-150)	4C, 5, 13C, 19C, 24
DBCx4-150RK1 (EPDM)	seal kit, EPDM crank shaft O-ring, PTFE stuffing box O-ring, EPDM body O-ring, EPDM cam gasket, PTFE O-ring (for DBC64-150)	4D, 5, 13D, 19D, 24
DBCx6-150RK1 (FFKM and PTFE/FKM)	seal kit, FFKM crank shaft O-ring, PTFE stuffing box O-ring, FFKM body O-ring, PTFE/FKM cam gasket, PTFE O-ring (for DBC66-150)	4C, 5, 13E, 19E, 24
DBCx7-150RK1	seal kit, FFKM crank shaft O-ring, PTFE stuffing box O-ring, PTFE/FKM body O-ring, PTFE/FKM cam gasket, PTFE O-ring (for DBC67-150)	4C, 5, 13F, 19E, 24
DBC61-150RK2	Buna seal cylinder, PTFE buttons and PTFE bushing (for DBC61-150)	9A, 10, 12
DBC62-150RK2	FKM seal cylinder, PTFE buttons and PTFE bushing (for DBC62-150)	9B, 10, 12
DBCx3-150RK2	PTFE nose seal, PTFE buttons and PTFE bushing (for DBC63-150, DBC66-150 and DBC67-150)	10, 12, 31
DBC64-150RK2	EPDM seal cylinder, PTFE buttons and PTFE bushing (for DBC64-150)	9D, 10, 12
DBCxx-150RK4	link kit, link rivet, cotter pins, link washer, link arm and yoke (for all 1½" aluminum)	11, 14, 16, 17, 22, 23
DBCxx-150RK5	stuffing box kit, stuffing box, PTFE O-ring and large crank shaft bearing (for all 1½" aluminum)	2, 5, 6
DBCxx-150RK6	lever (handle) kit, lever, groove pin, lock washer and socket head cap screw (for all 1½" aluminum)	8, 15, 28, 29
DBCxx-150RK7	crank shaft kit, crank shaft, cotter pin and washer (for all 1½" aluminum)	16, 21, 23
DBCxx-150RK8	main cylinder spring	25
DBCxx-150RK9	poppet kit, poppet, round head screw, set screw and PTFE washer (for all 1½" aluminum)	20, 24, 26, 27
DBCL-200	optional add on padlock-able lever kit, handle (for all 1½")	not illustrated

Product instruction sheets and technical data can be viewed on our website at canada.dixonvalve.com.

Dry Disconnects

DBC Cam and Groove Dry Disconnects

1½" Stainless Steel Couplers

1½" Stainless Steel Coupler

Bill of Materials

DBC7x-150

Refer to drawing on page 112.

Item #	Description	Part #	Qty
1	body	---	1
2	stuffing box	40074SS	1
3	back up ring	40075TF	1
4A	crank shaft O-ring Buna (for DBC71-150)	40076BN	1
4B	crank shaft O-ring FKM (for DBC72-150)	40076VI	1
4C	crank shaft O-ring FFKM (for DBC73-150, DBC76-150 and DBC77-150)	40076KR	1
4D	crank shaft O-ring EPDM (for DBC74-150)	40076EP	1
5	stuffing box PTFE O-ring	40077TF	1
6	large crank shaft bearing	40078FG	1
7	small crank shaft bearing	40079SS	1
8	lever (handle)	40080SS	1
9A	seal cylinder (for DBC71-150)	40117SSBN	1
9B	seal cylinder (for DBC72-150)	40117SSVI	1
9C	seal cylinder (for DBC73-150, DBC76-150 and DBC77-150)	40169SS	1
9D	seal cylinder (for DBC74-150)	40117SSEP	1
10	PTFE button	40082TF	6
11	yoke	40118SS	1
12	PTFE bushing	40119TF	1
13A	body O-ring Buna (for DBC71-150)	40120BN	1
13B	body O-ring FKM (for DBC72-150)	40120VI	1
13C	body O-ring PTFE/silicone (for DBC73-150)	40120TS	1
13D	body O-ring EPDM (for DBC74-150)	40120EP	1
13E	body O-ring FFKM (for DBC76-150)	40120KR	1
13F	body O-ring PTFE/FFKM (for DBC77-150)	40120TV	1
14	link rivet	40086SS	1
15	groove pin	40087SS	1
16	crank shaft cotter pin	40088SS	1
17	link cotter pin	40088SS	1
18	EZ Boss-Lock™ cam arm	40089SS	2
19A	cam gasket Buna (for DBC71-150)	200-G-BU	1
19B	cam gasket FKM (for DBC72-150)	200-G-VI	1
19C	cam gasket PTFE/silicone (for DBC73-150)	200-G-TES	1
19D	cam gasket EPDM (for DBC74-150)	200-G-EPR	1
19E	cam gasket PTFE/FFKM (for DBC76-150 and DBC77-150)	200-G-TFVI	1
20	poppet	40114SS	1
21	crank shaft	40115SS	1
22	link arm	40116SS	1
23	link washer	40094SS	1
24	poppet screw PTFE O-ring	40122TF	1
25	cylinder spring	DBCxx-150RK8	1
26	set screw	40124SS	1
27	poppet screw (round head)	40125SS	1
28	lock washer	40099SS	1
29	socket head cap screw	40100SS	1
30	cam arm spring pin	40101SS	2
31	nose seal (for DBC73-150, DBC76-150 and DBC77-150)	40171TF	1

Repair Kits

Part #	Description	Includes Item #
DBCx1-150RK1 (Buna-N)	seal kit, Buna crank shaft O-ring, PTFE stuffing box O-ring, Buna body O-ring, Buna cam gasket, PTFE O-ring (for DBC71-150)	4A, 5, 13A, 19A, 24
DBCx2-150RK1 (FKM)	seal kit, FKM crank shaft O-ring, PTFE stuffing box O-ring, FKM body O-ring, FKM cam gasket, PTFE O-ring (for DBC72-150)	4B, 5, 13B, 19B, 24
DBCx3-150RK1 (PTFE/silicone and Chemrez®)	seal kit, FFKM crank shaft O-ring, PTFE stuffing box O-ring, PTFE/silicone body O-ring, PTFE/silicone cam gasket, PTFE O-ring (for DBC73-150)	4C, 5, 13C, 19C, 24
DBCx4-150RK1 (EPDM)	seal kit, EPDM crank shaft O-ring, PTFE stuffing box O-ring, EPDM body O-ring, EPR cam gasket, PTFE O-ring (for DBC74-150)	4D, 5, 13D, 19D, 24
DBCx6-150RK1 (FFKM and PTFE/FFKM)	seal kit, FFKM crank shaft O-ring, PTFE stuffing box O-ring, FFKM body O-ring, PTFE/FFKM cam gasket, PTFE O-ring (for DBC76-150)	4C, 5, 13E, 19E, 24
DBCx7-150RK1	seal kit, FFKM crank shaft O-ring, PTFE stuffing box O-ring, PTFE/FFKM body O-ring, PTFE/FFKM cam gasket, PTFE O-ring (for DBC77-150)	4C, 5, 13F, 19E, 24
DBC71-150RK2	Buna seal cylinder, PTFE buttons and PTFE bushing (for DBC71-150)	9A, 10, 12
DBC72-150RK2	FKM seal cylinder, PTFE buttons and PTFE bushing (for DBC72-150)	9B, 10, 12
DBCx3-150RK2	PTFE nose seal, PTFE buttons and PTFE bushing (for DBC73-150, DBC76-150 and DBC77-150)	10, 12, 31
DBC74-150RK2	EPDM seal cylinder, PTFE buttons and PTFE bushing (for DBC74-150)	9D, 10, 12
DBCxx-150RK4	link kit, link rivet, cotter pins, link washer, link arm and yoke (for all 1½" stainless steel)	11, 14, 16, 17, 22, 23
DBCxx-150RK5	stuffing box kit, stuffing box, PTFE O-ring and large crank shaft bearing (for all 1½" stainless steel)	2, 5, 6
DBCxx-150RK6	lever (handle) kit, lever, groove pin, lock washer and socket head cap screw (for all 1½" stainless steel)	8, 15, 28, 29
DBCxx-150RK7	crank shaft kit, crank shaft, cotter pin and washer (for all 1½" stainless steel)	16, 21, 23
DBCxx-150RK8	main cylinder spring	25
DBCxx-150RK9	poppet kit, poppet, round head screw, set screw and PTFE O-ring (for all 1½" stainless steel)	20, 24, 26, 27
DBCL-200	Optional add-on padlock-able lever kit (handle) (for all 1½")	not illustrated

Product instruction sheets and technical data can be viewed on our website at canada.dixonvalve.com.

Dry Disconnects

DBC Cam and Groove Dry Disconnects

2" Aluminum Couplers

2" Aluminum Coupler

Bill of Materials

DBC6x-200

Refer to drawing on page 112.

Item #	Description	Part #	Qty
1	body	---	1
2	stuffing box	40074SS	1
3	back up ring	40075TF	1
4A	crank shaft O-ring Buna (for DBC61-200)	40076BN	1
4B	crank shaft O-ring FKM (for DBC62-200)	40076VI	1
4C	crank shaft O-ring FFKM (for DBC63-200, DBC66-200 and DBC67-200)	40076KR	1
4D	crank shaft O-ring EPDM (for DBC64-200)	40076EP	1
5	stuffing box PTFE O-ring	40077TF	1
6	large crank shaft bearing	40078FG	1
7	small crank shaft bearing	40079SS	1
8	lever (handle)	40080SS	1
9A	seal cylinder (for DBC61-200)	40081ALBN	1
9B	seal cylinder (for DBC62-200)	40081ALVI	1
9C	seal cylinder (for DBC63-200, DBC66-200 and DBC67-200)	40168SS	1
9D	seal cylinder (for DBC64-200)	40081ALEP	1
10	PTFE button	40082TF	6
11	yoke	40083SS	1
12	PTFE bushing	40084TF	1
13A	body O-ring Buna (for DBC61-200)	40085BN	1
13B	body O-ring FKM (for DBC62-200)	40085VI	1
13C	body O-ring PTFE/silicone (for DBC63-200)	40085TS	1
13D	body O-ring EPDM (for DBC64-200)	40085EP	1
13E	body O-ring FFKM (for DBC66-200)	40085KR	1
13F	body O-ring PTFE/FFKM (for DBC67-200)	40085TV	1
14	link rivet	40086SS	1
15	groove pin	40087SS	1
16	crank shaft cotter pin	40088SS	1
17	link cotter pin	40088SS	1
18	EZ Boss-Lock™ cam arm	40089SS	2
19A	cam gasket Buna (for DBC61-200)	250-G-BU	1
19B	cam gasket FKM (for DBC62-200)	250-G-VI	1
19C	cam gasket PTFE/silicone (for DBC63-200)	250-G-TEs	1
19D	cam gasket EPDM (for DBC64-200)	250-G-EPR	1
19E	cam gasket PTFE/FFKM (for DBC66-200 and DBC67-200)	250-G-TFVI	1
20	poppet	40091SS	1
21	crank shaft	40092SS	1
22	link arm	40093SS	1
23	link washer	40094SS	1
24	poppet screw PTFE O-ring	40095TF	1
25	cylinder spring	DBCxx-200RK8	1
26	set screw	40097SS	1
27	poppet screw (round head)	40098SS	1
28	lock washer	40099SS	1
29	socket head cap screw	40100SS	1
30	cam arm spring pin	40101SS	2
31	nose seal (for DBC63-200, DBC66-200 and DBC67-200)	40170TF	1

Repair Kits

Part #	Description	Includes Item #
DBCx1-200RK1 (Buna-N)	seal kit, Buna crank shaft O-ring, PTFE stuffing box O-ring, Buna body O-ring, Buna cam gasket, PTFE O-ring (for DBC61-200)	4A, 5, 13A, 19A, 24
DBCx2-200RK1 (FKM)	seal kit, FKM crank shaft O-ring, PTFE stuffing box O-ring, FKM body O-ring, FKM cam gasket, PTFE O-ring (for DBC62-200)	4B, 5, 13B, 19B, 24
DBCx3-200RK1 (PTFE/silicone and FFKM)	seal kit, FFKM crank shaft O-ring, PTFE stuffing box O-ring, PTFE/silicone body O-ring, PTFE/silicone cam gasket, PTFE O-ring (for DBC63-200)	4C, 5, 13C, 19C, 24
DBCx4-200RK1 (EPDM)	seal kit, EPDM crank shaft O-ring, PTFE stuffing box O-ring, EPDM body O-ring, EPR cam gasket, PTFE O-ring (for DBC64-200)	4D, 5, 13D, 19D, 24
DBCx6-200RK1 (FFKM and PTFE/FFKM)	seal kit, FFKM crank shaft O-ring, PTFE stuffing box O-ring, FFKM body O-ring, PTFE/FFKM cam gasket, PTFE O-ring (for DBC66-200)	4C, 5, 13E, 19E, 24
DBCx7-200RK1 (FFKM and PTFE/FFKM)	seal kit, FFKM crank shaft O-ring, PTFE stuffing box O-ring, PTFE/FFKM body O-ring, PTFE/FFKM cam gasket, PTFE O-ring (for DBC67-200)	4C, 5, 13F, 19E, 24
DBC61-200RK2	Buna seal cylinder, PTFE buttons and PTFE bushing (for DBC61-200)	9A, 10, 12
DBC62-200RK2	FKM seal cylinder, PTFE buttons and PTFE bushing (for DBC62-200)	9B, 10, 12
DBCx3-200RK2	PTFE nose seal, PTFE buttons and PTFE bushing (for DBC63-200, DBC66-200 and DBC67-200)	10, 12, 31
DBC64-200RK2	EPDM seal cylinder, PTFE buttons and PTFE bushing (for DBC64-200)	9D, 10, 12
DBCxx-200RK4	link kit, link rivet, cotter pins, link washer, link arm and yoke (for all 2" aluminum)	11, 14, 16, 22, 23
DBCxx-200RK5	stuffing box kit, stuffing box, PTFE O-ring and large crank shaft bearing (for all 2" aluminum)	2, 5, 6
DBCxx-200RK6	lever (handle) kit, lever, groove pin, lock washer and socket head cap screw (for all 2" aluminum)	8, 15, 28, 29
DBCxx-200RK7	crank shaft kit, crank shaft, cotter pin and washer (for all 2" aluminum)	16, 21, 23
DBCxx-200RK8	main cylinder spring	25
DBCxx-200RK9	poppet kit, poppet, round head screw, set screw and PTFE O-Ring (for all 2" aluminum)	20, 24, 26, 27
DBCL-200	optional add on padlock-able lever kit, handle (for all 2")	not illustrated

Product instruction sheets and technical data can be viewed on our website at canada.dixonvalve.com.

Dry Disconnects

DBC Cam and Groove Dry Disconnects

2" Stainless Steel Couplers

2" Stainless Steel Coupler

Bill of Materials

DBC7x-200

Refer to drawing on page 112.

Item #	Description	Part #	Qty
1	body	---	1
2	stuffing box	40074SS	1
3	back up ring	40075TF	1
4A	crank shaft O-ring Buna (for DBC71-200)	40076BN	1
4B	crank shaft O-ring FKM (for DBC72-200)	40076VI	1
4C	crank shaft O-ring FFKM (for DBC73-200, DBC77-200, DBC76-200)	40076KR	1
4D	crank shaft O-ring EPDM (for DBC74-200)	40076EP	1
5	stuffing box PTFE O-ring	40077TF	1
6	large crank shaft bearing	40078FG	1
7	small crank shaft bearing	40079SS	1
8	lever (handle)	40080SS	1
9A	seal cylinder (for DBC71-200)	40081SSBN	1
9B	seal cylinder (for DBC72-200)	40081SSVI	1
9C	seal cylinder (for DBC73-200, DBC76-200, DBC77-200)	40168SS	1
9D	seal cylinder (for DBC74-200)	40081SSEP	6
10	PTFE button	40082TF	1
11	yoke	40083SS	1
12	PTFE bushing	40084TF	1
13A	body O-ring Buna (for DBC71-200)	40085BN	1
13B	body O-ring FKM (for DBC72-200)	40085VI	1
13C	body O-ring PTFE/silicone (for DBC73-200)	40085TS	1
13D	body O-ring EPDM (for DBC74-200)	40085EP	1
13E	body O-ring FFKM (for DBC76-200)	40085KR	1
13F	body O-ring PTFE/FFKM (DBC77-200)	40085TV	1
14	link rivet	40086SS	1
15	groove pin	40087SS	1
16	crank shaft cotter pin	40088SS	1
17	link cotter pin	40088SS	2
18	EZ Boss-Lock™ cam arm	40089SS	1
19A	cam gasket Buna (for DBC71-200)	250-G-BU	1
19B	cam gasket FKM (for DBC72-200)	250-G-VI	1
19C	cam gasket PTFE/silicone (for DBC73-200)	250-G-TESS	1
19D	cam gasket EPDM (for DBC74-200)	250-G-EPR	1
19E	cam gasket PTFE/FFKM (for DBC76-200, DBC77-200)	250-G-TEV	1
20	poppet	40091SS	1
21	crank shaft	40092SS	1
22	link arm	40093SS	1
23	link washer	40094SS	1
24	poppet screw PTFE O-ring	40095TF	1
25	cylinder spring	40096SS	1
26	set screw	40097SS	1
27	poppet screw (round head)	40098SS	1
28	lock washer	40099SS	1
29	socket head cap screw	40100SS	1
30	cam arm spring pin	40101SS	2
31	nose seal (for DBC73-200, DBC76-200 and DBC77-200)	40170TF	1

Repair Kits

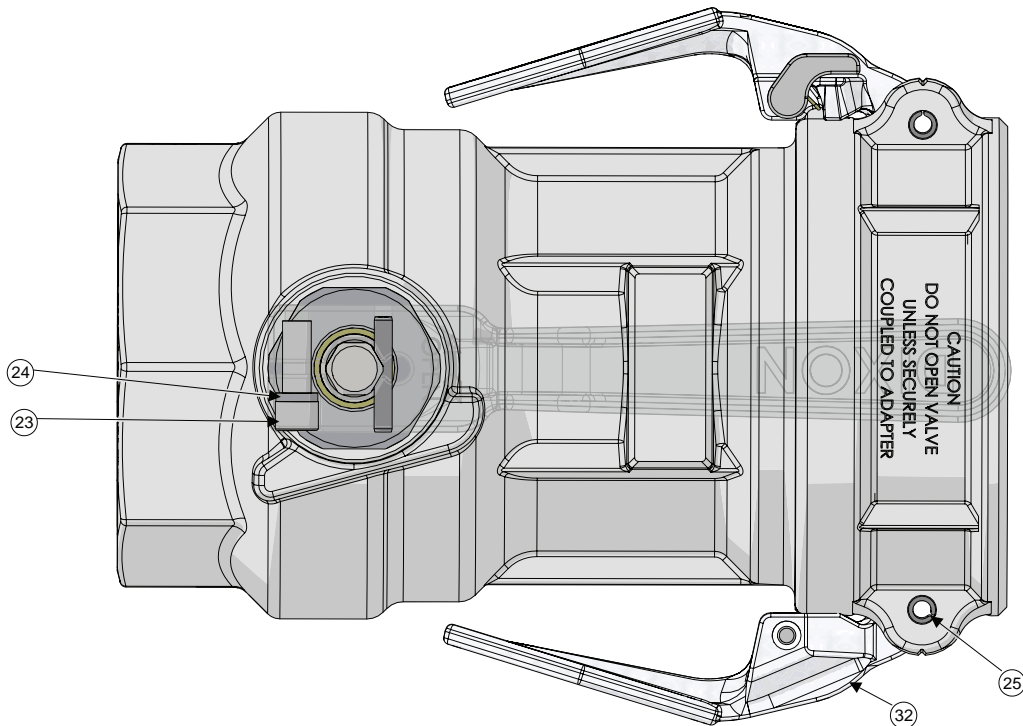
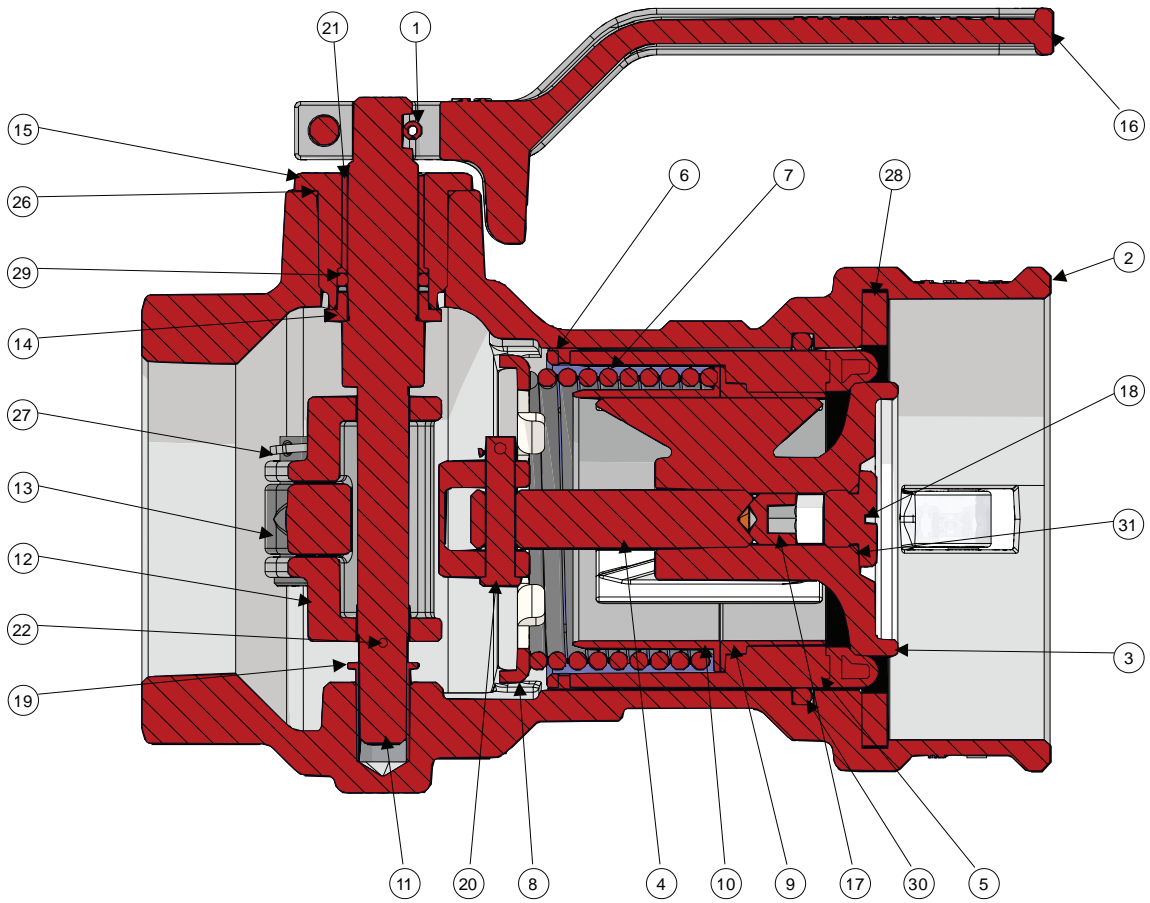
Part #	Description	Includes Item #
DBCx1-200RK1 (Buna-N)	seal kit, Buna crank shaft O-ring, PTFE stuffing box O-ring, Buna body O-ring, Buna cam gasket, PTFE O-ring (for DBC71-200)	4A, 5, 13A, 19A, 24
DBCx2-200RK1 (FKM)	seal kit, FKM crank shaft O-ring, PTFE stuffing box O-ring, FKM body O-ring, FKM cam gasket, PTFE O-ring (for DBC72-200)	4B, 5, 13B, 19B, 24
DBCx3-200RK1 (PTFE/silicone and FFKM)	seal kit, FFKM crank shaft O-ring, PTFE stuffing box O-ring, PTFE/silicone body O-ring, PTFE/silicone cam gasket, PTFE O-ring (for DBC73-200)	4C, 5, 13C, 19C, 24
DBCx4-200RK1 (EPDM)	seal kit, EPDM crank shaft O-ring, PTFE stuffing box O-ring, EPDM body O-ring, EPDM cam gasket, PTFE O-ring (for DBC74-200)	4D, 5, 13D, 19D, 24
DBCx6-200RK1 (FFKM and PTFE/FFKM)	seal kit, FFKM crank shaft O-ring, PTFE stuffing box O-ring, FFKM body O-ring, PTFE/FFKM cam gasket, PTFE O-ring (for DBC76-200)	4C, 5, 13E, 19E, 24
DBCx7-200RK1 (PTFE/FFKM and FFKM)	seal kit, FFKM crank shaft O-ring, PTFE stuffing box O-ring, PTFE/FFKM body O-ring, PTFE/FFKM cam gasket, PTFE O-ring (for DBC77-200)	4C, 5, 13F, 19E, 24
DBC71-200RK2	Buna seal cylinder, PTFE buttons and PTFE bushing (for DBC71-200)	9A, 10, 12
DBC72-200RK2	FKM seal cylinder, PTFE buttons and PTFE bushing (for DBC72-200)	9B, 10, 12
DBCx3-200RK2	PTFE nose seal, PTFE buttons and PTFE bushing (for DBC73-200, DBC76-200 and DBC77-200)	10, 12, 31
DBC74-200RK2	EPDM seal cylinder, PTFE buttons and PTFE bushing (for DBC74-200)	9D, 10, 12
DBCxx-200RK4	link kit, link rivet, cotter pins, link washer, link arm, yoke (for all 2" SS)	11, 14, 16, 17, 22, 23
DBCxx-200RK5	stuffing box kit, stuffing box, PTFE O-ring and large crank shaft bearing (for all 2" SS)	2, 5, 6
DBCxx-200RK6	lever (handle) kit, lever, groove pin, lock washer and socket head cap screw (for all 2" SS)	8, 15, 28, 29
DBCxx-200RK7	crank shaft kit, crank shaft, cotter pin and washer (for all 2" SS)	16, 21, 23
DBCxx-200RK8	main cylinder spring	25
DBCxx-200RK9	poppet kit, poppet, round head screw, set screw and PTFE O-ring (for all 2" SS)	20, 24, 26, 27
DBCL-200	optional add-on padlock-able lever kit (handle) (for all 2")	not illustrated

Product instruction sheets and technical data can be viewed on our website at canada.dixonvalve.com.

Dry Disconnects

DBC Cam and Groove Dry Disconnects

3" Aluminum Couplers



Product instruction sheets and technical data can be viewed on our website at canada.dixonvalve.com.

Dry Disconnects

DBC Cam and Groove Dry Disconnects

3" Aluminum Couplers

3" Aluminum Coupler

Bill of Materials

DBC6x-300

Refer to drawing on page 117.

Item #	Description	Part #	Qty
1	groove pin	40087SS	1
2	body	---	1
3	poppet	40195SS	1
4	stem	40196SS	1
5A	seal cylinder (for DBC61-300)	40197ALBN	1
5B	seal cylinder (for DBC62-300)	40197ALVI	1
5C	seal cylinder (for DBC63-300, DBC66-300 and DBC67-300)	40304SS	1
5D	seal cylinder (for DBC64-300)	40197SSEP	1
5E	seal cylinder (for DBC69-300)	40197SSVB	1
6	PTFE button	40198TF	8
7	cylinder spring	DBCxx-300RK8	1
8	poppet spring seat	40200AL	1
9	PTFE bushing	40201TF	1
10	poppet spring guide	40202SS	1
11	shaft	40203SS	1
12	yoke	40204SS	1
13	link	40205SS	1
14	shaft retainer	40206SS	1
15	stuffing box	40207SS	1
16	lever (handle)	40208SS	1
17	set screw	40209SS	1
18	poppet screw	40210SS	1
19	PTFE bearing	40211TF	1
20	clevis pin	40212SS	2
21	bearing	40213FG	1
22	cotter pin	40214SS	1
23	lever (handle) screw	40216SS	1
24	lever (handle) lock washer	40217SS	1
25	cam arm pin	40218SS	2
26	PTFE O-ring	40219TF	1
27	cotter pin	40221SS	2
28A	Buna coupler gasket (for DBC61-300)	DBCx1-300RK3	1
28B	FKM coupler gasket (for DBC62-300)	DBCx2-300RK3	1
28C	PTFE/silicone coupler gasket (for DBC63-300)	DBCx3-300RK3	1
28D	EPDM coupler gasket (for DBC64-300)	DBCx4-300RK3	1
28E	PTFE/FFKM coupler gasket (for DBC66-300 and DBC67-300)	40222TV	1
28F	FKM-B coupler gasket (for DBC69-300)	DBCx9-300RK3	1
29A	Buna O-ring (for DBC61-300)	40223BN	1
29B	FKM O-ring (for DBC62-300)	40223VI	1
29C	FFKM O-ring (for DBC63-300, DBC66-300 and DBC67-300)	40223KR	1
29D	EPDM O-ring (for DBC64-300)	40223EP	1
29E	FKM-B O-ring (for DBC69-300)	40223VB	1
30A	Buna O-ring (for DBC61-300)	40224BN	1
30B	FKM O-ring (for DBC62-300)	40224VI	1
30C	PTFE/silicone O-Ring (for DBC63-300)	40224TS	1
30D	EPDM O-ring (for DBC64-300)	40224EP	1
30E	FFKM O-ring (for DBC66-300)	40224KR	1
30F	PTFE/FFKM O-ring (for DBC67-300)	40224TV	1
30G	FKM-B O-ring (for DBC69-300)	40224VB	1
31	PTFE O-ring	40235TF	1
32	locking paddle arm	40285SSSS	2
33	nose seal (for DBC63-300, DBC66-300 and DBC67-300)	40305TF	1

Repair Kits

Part #	Description	Includes Item #
DBCx1-300RK1 (Buna-N)	seal kit, Buna stuffing box O-ring, PTFE stuffing box to body O-ring, Buna body O-ring, Buna cam gasket, PTFE Poppet screw O-ring (for DBC61-300)	26, 28A, 29A, 30A, 31
DBCx2-300RK1 (FKM)	seal kit, FKM stuffing box O-ring, PTFE stuffing box to body O-ring, FKM body O-ring, FKM cam gasket, PTFE Poppet screw O-ring (for DBC62-300)	26, 28B, 29B, 30B, 31
DBCx3-300RK1 (PTFE/silicone and FFKM)	seal kit, FFKM stuffing box O-ring, PTFE stuffing box to body O-ring, PTFE/silicone body O-ring, PTFE/silicone cam gasket, PTFE Poppet screw O-ring (for DBC63-300)	26, 28C, 29C, 30C, 31
DBCx4-300RK1 (EPDM)	seal kit, EPDM stuffing box O-ring, PTFE stuffing box to body O-ring, EPDM body O-ring, EPDM cam gasket, PTFE Poppet screw O-ring (for DBC64-300)	26, 28D, 29D, 30D, 31
DBCx6-300RK1 (FFKM and PTFE/FFKM)	seal kit, FFKM stuffing box O-ring, PTFE stuffing box to body O-ring, FFKM body O-ring, PTFE/FFKM cam gasket, PTFE poppet screw O-ring (for DBC66-300)	26, 28E, 29C, 30E, 31
DBCx7-300RK1 (PTFE/FFKM and FFKM)	seal kit, FFKM stuffing box O-ring, PTFE stuffing box to body O-ring, PTFE/FFKM body O-ring, PTFE/FFKM cam gasket, PTFE Poppet screw O-ring (for DBC67-300)	26, 28E, 29C, 30F, 31
DBCx9-300RK1 (FKM-B)	seal kit, FKM-B stuffing box O-ring, PTFE stuffing box to body O-ring, FKM-B body O-ring, FKM-B cam gasket, PTFE Poppet screw O-ring (for DBC69-300)	26, 28F, 29E, 30G, 31
DBC61-300RK2	Buna seal cylinder, PTFE buttons and PTFE bushing (for DBC61-300)	5A, 6, 9
DBC62-300RK2	FKM seal cylinder, PTFE buttons and PTFE bushing (for DBC62-300)	5B, 6, 9
DBCx3-300RK2	PTFE nose seal, PTFE buttons and PTFE bushing (for DBC63-300, DBC66-300 and DBC67-300)	6, 9, 33
DBC64-300RK2	EPDM seal cylinder, PTFE buttons and PTFE bushing (for DBC64-300)	5D, 6, 9
DBC69-300RK2	FKM-B seal cylinder, PTFE buttons and PTFE bushing (for DBC69-300)	5E, 6, 9
DBCx1-300RK3	Buna coupler gasket	28A
DBCx2-300RK3	FKM coupler gasket	28B
DBCx3-300RK3	PTFE/silicone coupler gasket	28C
DBCx4-300RK3	EPDM coupler gasket	28D
DBCx9-300RK3	FKM-B coupler gasket	28F
DBCxx-300RK4	link kit, clevis pin, cotter pin, stem, link and yoke (for all 3" aluminum)	4, 12, 13, 20, 22, 27
DBCxx-300RK5	stuffing box kit, stuffing box, PTFE O-ring and bearing	15, 21, 26
DBCxx-300RK6	lever (handle) kit, lever, groove pin, lock washer and socket head cap screw (for all 3" aluminum)	1, 16, 23, 24
DBCxx-300RK7	shaft kit, shaft, cotter pin, bearing, shaft retainer	11, 14, 19, 22
DBCxx-300RK8	main cylinder spring	7
DBCxx-300RK9	poppet kit, poppet and screw, set screw and PTFE O-ring	3, 17, 18, 31

Product instruction sheets and technical data can be viewed on our website at canada.dixonvalve.com.

Petroleum Replacement Parts

Dry Disconnects

DBC Cam and Groove Dry Disconnects

3" Stainless Steel Coupler

Bill of Materials

DBC7x-300v

Refer to drawing on page 117.

Item #	Description	Part #	Qty
1	groove pin	40087SS	1
2	body	---	1
3	poppet	40195SS	1
4	stem	40196SS	1
5A	seal cylinder Buna (for DBC71-300)	40197SSBN	1
5B	seal cylinder FKM (for DBC72-300)	40197SSVI	1
5C	stainless steel cylinder (for DBC73-300, DBC76-300 and DBC77-300)	40304SS	1
5D	seal cylinder EPDM (for DBC74-300)	40197SSEP	1
5E	seal cylinder FKM-B (for DBC79-300)	40197SSVB	1
6	PTFE button	40198TF	8
7	cylinder spring	DBCxx-300RK8	1
8	spring seat	40200SS	1
9	PTFE bushing	40201TF	1
10	spring guide	40202SS	1
11	shaft	40203SS	1
12	yoke	40204SS	1
13	link arm	40205SS	1
14	shaft retainer	40206SS	1
15	stuffing box	40207SS	1
16	lever (handle)	40208SS	1
17	set screw	40209SS	1
18	poppet screw	40210SS	1
19	PTFE bearing	40211TF	1
20	clevis pin	40212SS	2
21	bearing	40213FG	1
22	cotter pin	40214SS	1
23	lever (handle) screw	40216SS	1
24	lever (handle) lock washer	40217SS	1
25	cam arm pin	40218SS	2
26	PTFE O-ring	40219TF	1
27	cotter pin	40221SS	2
28A	Buna coupler gasket (for DBC71-300)	DBCx1-300RK3	1
28B	FKM coupler gasket (for DBC72-300)	DBCx2-300RK3	1
28C	PTFE/silicone coupler gasket (for DBC73-300)	40222TS	1
28D	EPDM coupler gasket (for DBC74-300)	40222EP	1
28E	PTFE/FKM coupler gasket (for DBC76-300 and DBC77-300)	40222TV	1
28F	FKM-B coupler gasket (for DBC79-300)	DBCx9-300RK3	1
29A	Buna O-ring (for DBC71-300)	40223BN	1
29B	FKM O-ring (for DBC72-300)	40223VI	1
29C	FFKM O-ring (for DBC73-300, DBC76-300 and DBC77-300)	40223KR	1
29D	EPDM O-ring (for DBC74-300)	40223EP	1
29E	FKM-B O-ring (for DBC79-300)	40223VB	1
30A	Buna O-ring (for DBC71-300)	40224BN	1
30B	FKM O-ring (for DBC72-300)	40224VI	1
30C	PTFE/silicone O-ring (for DBC73-300)	40224TS	1
30D	EPDM O-ring (for DBC74-300)	40224EP	1
30E	FFKM O-ring (for DBC76-300)	40224KR	1
30F	PTFE/FKM O-ring (for DBC77-300)	40224TV	1
30G	FKM-B O-ring (for DBC79-300)	40224VB	1
31	PTFE O-ring	40235TF	1
32	locking paddle arm	40285SSSS	2
33	PTFE nose seal (for DBC73-300, DBC76-300 and DBC77-300)	40305TF	1

3" Stainless Steel Couplers

Repair Kits

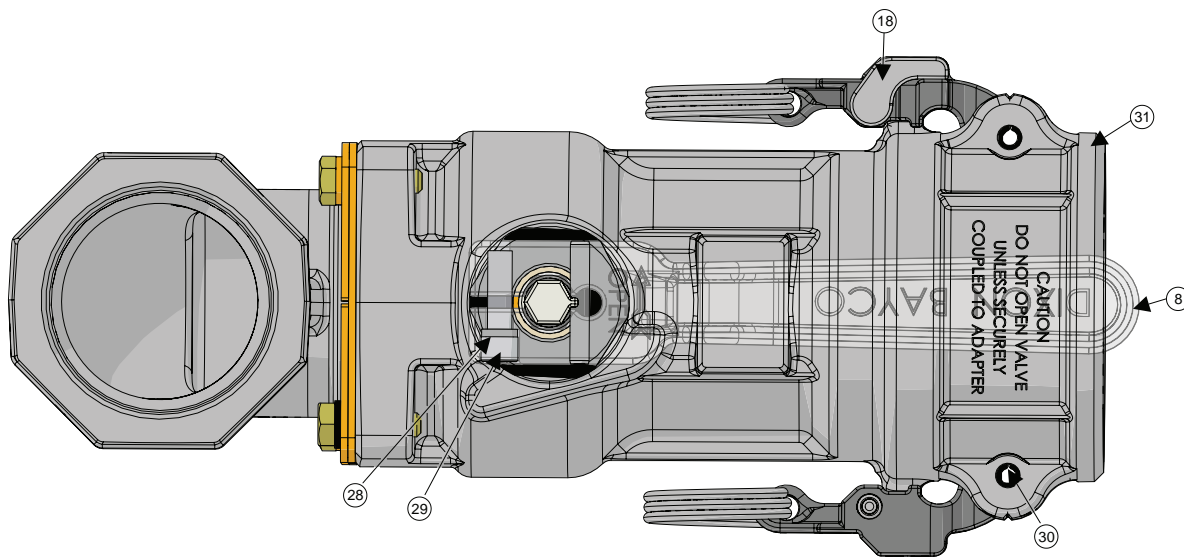
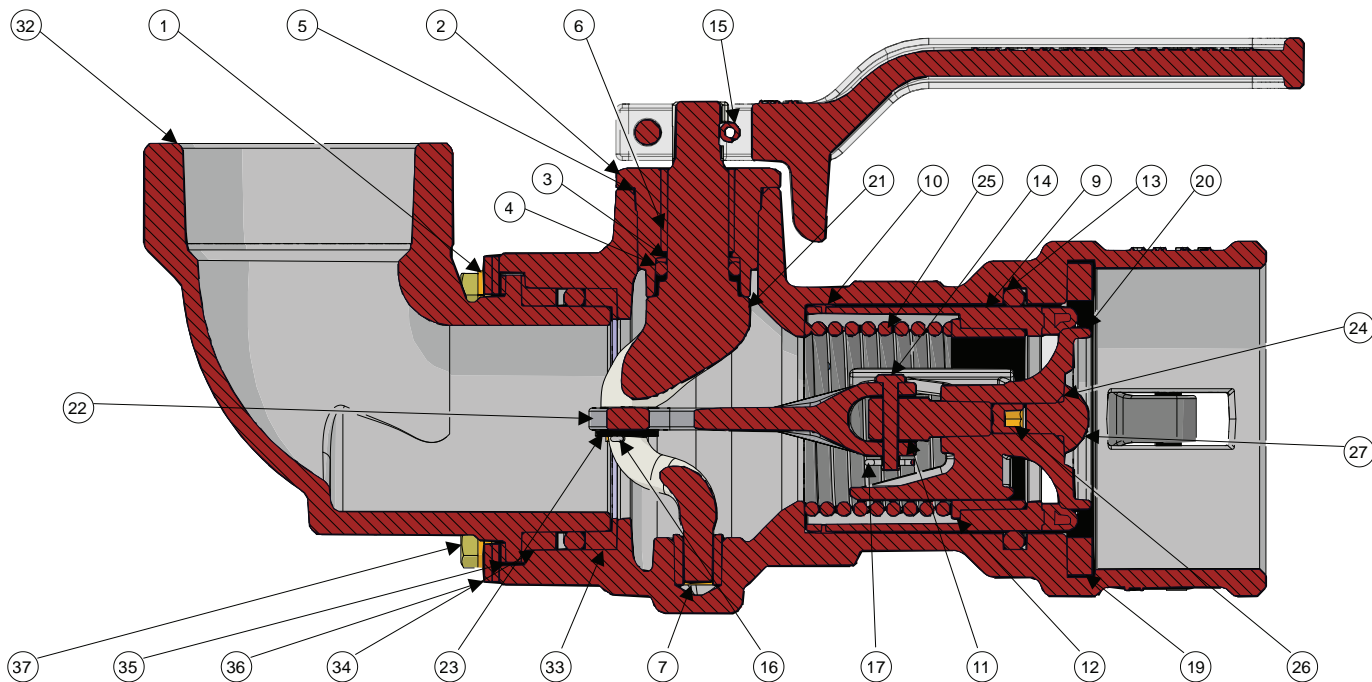
Part #	Description	Includes Item #
DBCx1-300RK1 (Buna-N)	seal kit, Buna stuffing box O-ring, PTFE stuffing box to body O-ring, Buna body O-ring, Buna cam gasket, PTFE poppet screw O-ring (for DBC71-300)	26, 28A, 29A, 30A, 31
DBCx2-300RK1 (FKM)	seal kit, FKM stuffing box O-ring, PTFE stuffing box to body O-ring, FKM body O-ring, FKM cam gasket, PTFE poppet screw O-ring (for DBC72-300)	26, 28B, 29B, 30B, 31
DBCx3-300RK1 (PTFE/silicone and FFKM)	seal kit, FFKM stuffing box O-ring, PTFE stuffing box to body O-ring, PTFE/silicone body O-ring, PTFE/silicone cam gasket, PTFE poppet screw O-ring (for DBC73-300)	26, 28C, 29C, 30C, 31
DBCx4-300RK1 (EPDM)	seal kit, EPDM stuffing box O-ring, PTFE stuffing box to body O-ring, EPDM body O-ring, EPDM cam gasket, PTFE poppet screw O-ring (for DBC74-300)	26, 28D, 29D, 30D, 31
DBCx6-300RK1 (FFKM and PTFE/FKM)	seal kit, FFKM stuffing box O-ring, PTFE stuffing box to body O-ring, FFKM body O-ring, PTFE/FKM cam gasket, PTFE poppet screw O-ring (for DBC76-300)	26, 28E, 29C, 30E, 31
DBCx7-300RK1 (PTFE/FKM and FFKM)	seal kit, FFKM stuffing box O-ring, PTFE stuffing box to body O-ring, PTFE/FKM body O-ring, PTFE/FKM cam gasket, PTFE poppet screw O-ring (for DBC77-300)	26, 28E, 29C, 30F, 31
DBCx9-300RK1 (FKM-B)	seal kit, FKM-B stuffing box O-ring, PTFE stuffing box to body O-ring, FKM-B body O-ring, FKM cam gasket, PTFE poppet screw O-ring (for DBC79-300)	26, 28F, 29E, 30G, 31
DBC69-300RK2	FKM-B seal cylinder, PTFE buttons and PTFE bushing (for DBC79-300)	5E, 6, 9
DBC71-300RK2	Buna seal cylinder, PTFE buttons and PTFE bushing (for DBC71-300)	5A, 6, 9
DBC72-300RK2	FKM seal cylinder, PTFE buttons and PTFE bushing (for DBC72-300)	5B, 6, 9
DBCx3-300RK2	PTFE nose seal, PTFE buttons and PTFE bushing (for DBC73-300, DBC76-300 and DBC77-300)	6, 9, 33
DBC74-300RK2	EPDM seal cylinder, PTFE buttons and PTFE bushing (for DBC74-300)	5D, 6, 9
DBCX1-300RK3	Buna coupler gasket	28A
DBCx2-300RK3	FKM coupler gasket	28B
DBCxx-300RK4	link kit, clevis pin, cotter pin, stem, link arm and yoke (for all 3" SS)	4, 12, 13, 20, 22, 27
DBCxx-300RK5	stuffing box kit, stuffing box, PTFE O-ring and bearing (for all 3" SS)	15, 21, 26
DBCxx-300RK6	lever (handle) kit, lever, groove pin, lock washer and socket head cap screw (for all 3" SS)	1, 16, 23, 24
DBCxx-300RK7	shaft kit, shaft, cotter pin bearing, shaft retainer, (for all 3" SS)	11, 14, 19, 22
DBCxx-300RK8	main cylinder spring	7
DBCxx-300RK9	poppet kit, poppet, poppet screw, set screw and PTFE O-ring (for all 3" SS)	3, 17, 18, 31

Product instruction sheets and technical data can be viewed on our website at canada.dixonvalve.com.

Dry Disconnects

DBS 90° Swivel Cam and Groove Dry Disconnects

2" Aluminum 90° Swivel Couplers



Section A - A

Product instruction sheets and technical data can be viewed on our website at canada.dixonvalve.com.

Petroleum
Replacement Parts

Dry Disconnects

DBS 90° Swivel Cam and Groove Dry Disconnects

2" Aluminum 90° Swivel Couplers

2" Aluminum 90° Coupler

Bill of Materials

DBS6x-200

Item #	Description	Part #	Qty
1	lock washer	10111	4
2	stuffing box	40074SS	1
3	back up ring	40075TF	1
4A	crank shaft O-ring Buna (for DBS61-200)	40076BN	1
4B	crank shaft O-ring FKM (for DBS62-200)	40076VI	1
4C	crank shaft O-ring FFKM (for DBS63-200)	40076KR	1
5	stuffing box PTFE O-ring	40077TF	1
6	large crank shaft bearing	40078FG	1
7	small crank shaft bearing	40079SS	1
8	lever (handle)	40080SS	1
9A	seal cylinder (for DBS61-200)	40081ALBN	1
9B	seal cylinder (for DBS62-200)	40081ALVI	1
9C	seal cylinder (for DBS63-200)	40168SS	1
10	PTFE button	40082TF	6
11	yoke	40083SS	1
12	PTFE bushing	40084TF	1
13A	body and swivel Buna O-ring (for DBS61-200)	40085BN	2
13B	body and swivel FKM O-ring (for DBS62-200)	40085VI	2
13C	body and swivel PTFE/silicone O-ring (for DBS63-200)	40085TS	2
14	link rivet	40086SS	1
15	groove pin	40087SS	1
16	crank shaft cotter pin	40088SS	1
17	link cotter pin	40088SS	1
18	EZ Boss-Lock™ cam arm	40089SS	2
19A	cam gasket Buna (for DBS61-200)	250-G-BU	1
19B	cam gasket FKM (for DBS62-200)	250-G-VI	1
19C	cam gasket PTFE/silicone (for DBS63-200)	250-G-TES	1
20	poppet	40091SS	1
21	crank shaft	40092SS	1
22	link arm	40093SS	1
23	link washer	40094SS	1
24	poppet screw PTFE O-ring	40095TF	1
25	cylinder spring	DBCxx-200RK8	1
26	set screw	40097SS	1
27	poppet screw (round head)	40098SS	1
28	lock washer	40099SS	1
29	socket head cap screw	40100SS	1
30	cam arm spring pin	40101SS	2
31	main body	---	1
32	elbow body	---	1
33	bottom bearing	40106AC	1
34	top bearing	40108AC	1
35	washer	40109AC	1
36	flange retainer	40110ST	4
37	screw	40111SS	4
not illustrated	nose seal (for DBS63-200)	40170TF	1

Repair Kits

Part #	Description	Includes Item #
DBS61-200RK1	seal kit, Buna crank shaft O-ring, PTFE stuffing box O-ring, Buna and swivel body O-rings, Buna cam gasket, PTFE O-ring (for DBS61-200)	4A, 5, 13A, 19A, 24
DBS62-200RK1	seal kit, FKM crank shaft O-ring, PTFE stuffing box O-ring, FKM body and swivel O-rings, FKM cam gasket, PTFE O-ring (for DBS62-200)	4B, 5, 13B, 19B, 24
DBS63-200RK1	seal kit, Kamrez® crank shaft O-ring, PTFE stuffing box O-ring, PTFE/silicone body and swivel O-rings, PTFE/silicone cam gasket, PTFE O-ring (for DBS63-200)	4C, 5, 13C, 19C, 24
DBS61-200RK4	swivel rebuild kit, Buna body O-ring, top and bottom bearings, washer, flange retainers and screws (for DBS61-200)	13A, 33, 34, 35, 36, 37
DBS62-200RK4	swivel rebuild kit, FKM body O-ring, top and bottom bearings, washer, flange retainers and screws (for DBS62-200)	13B, 33, 34, 35, 36, 37
DBS63-200RK4	swivel rebuild kit, PTFE/silicone body O-ring, top and bottom bearings, washer, flange retainers and screws (for DBS63-200)	13C, 33, 34, 35, 36, 37
DBS61-200RK10	swivel seal kit, Buna body O-ring, top and bottom bearings (for DBS61-200)	13A, 33, 34, 35
DBS62-200RK10	swivel seal kit, FKM body O-ring, top and bottom bearings (for DBS62-200)	13B, 33, 34, 35
DBS63-200RK10	swivel seal kit, PTFE/silicone body O-ring, top and bottom bearings (for DBS63-200)	13C, 33, 34, 35
DBC61-200RK2	Buna seal cylinder, PTFE buttons and PTFE bushing (for DBS61-200)	9A, 10, 12
DBC62-200RK2	FKM seal cylinder, PTFE buttons and PTFE bushing (for DBS62-200)	9B, 10, 12
DBCx3-200RK2	PTFE nose seal, PTFE buttons and PTFE bushing (for DBS63-200)	10, 12, + items not illustrated
DBCxx-200RK4	link kit, link rivet, cotter pins, link washer, link arm and yoke (for all 2")	11, 14, 16, 17, 22, 23
DBCxx-200RK5	stuffing box kit, stuffing box, PTFE O-ring and large crank shaft bearing (for all 2")	2, 5, 6
DBCxx-200RK6	lever (handle) kit, lever, groove pin, lock washer and socket head cap screw (for all 2")	8, 15, 28, 29
DBCxx-200RK7	crank shaft kit, crank shaft, cotter pin and washer (for all 2")	16, 21, 23
DBCxx-200RK8	main cylinder spring (for all 2")	25
DBCxx-200RK9	poppet kit, poppet, round head screw, set screw and PTFE O-ring (for all 2")	20, 24, 26, 27
DBCL-200	optional add on padlock-able lever kit, handle (for all 2")	not illustrated

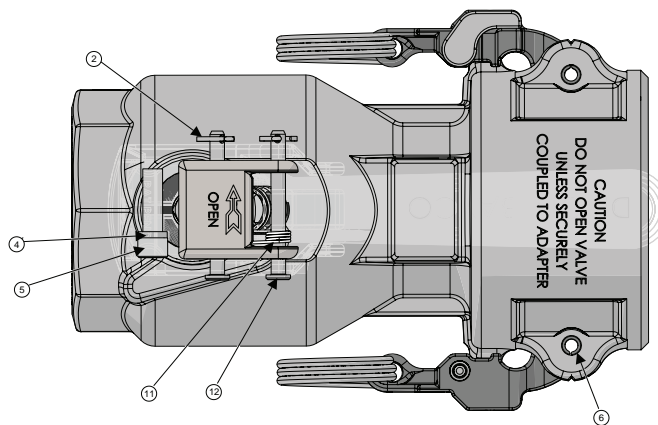
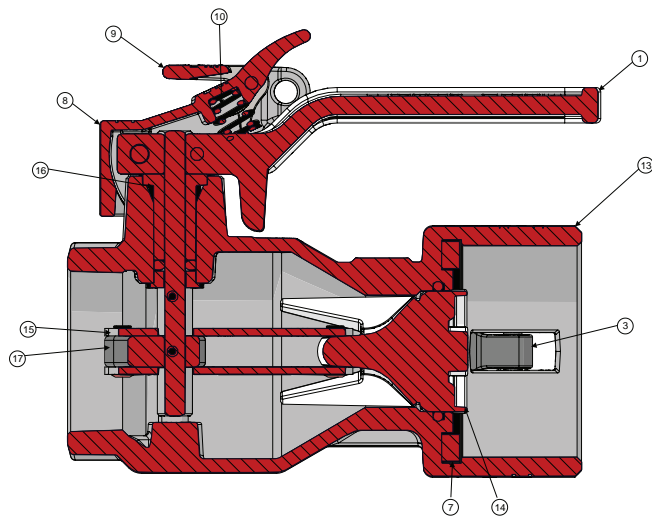
Petroleum Replacement Parts

Product instruction sheets and technical data can be viewed on our website at canada.dixonvalve.com.

Dry Disconnects

D2C Cam and Groove Actuator Style Dry Disconnects

1½" Stainless Steel Couplers



1½" Stainless Steel Coupler

Bill of Materials

D2C7x-150

Item #	Description	Part #	Qty
1	lever	40080SS	1
2	lever cotter pin	40088SS	2
3	EZ-Boss lock cam arm	40089SS	2
4	lock washer	40099SS	1
5	socket head screw	40100SS	1
6	cam arm spring pin	40101SS	2
7A	cam gasket Buna (for D2C71-150)	200-G-BU	1
7B	cam gasket FKM (for D2C72-150)	200-G-VI	1
7C	cam gasket PTFE/silicone (for D2C73-150)	200-G-TES	1
7D	cam gasket EPDM (for D2C74-150)	200-G-EPDM	1
8	lever latch	40225SS	1
9	lever lock	40226SS	1
10	lever lock compression spring	40230SS	1
11	lever lock torsion spring	40231SS	1
12	lever clevis pin	40232SS	2
13	body	--	1
14	poppet	40287SS	1
15	poppet link arm	40288SS	2
16	bearing	40289FG	1
17	poppet cam	40290SS	1
18	poppet lever shaft	40291SS	1
19	poppet link rivet	40292SS	2
20	poppet lever shaft spring pin	40293SS	2
21	spacer	40294SS	1
22	poppet O-ring PTFE/FKM	40295TV	1
23A	lever shaft O-ring Buna (for D2C71-150)	40296BN	1
23B	lever shaft O-ring FKM (for D2C72-150)	40296VI	1
23C	lever shaft O-ring FFKM (for D2C73-150)	40296KR	1
23D	lever shaft O-ring EPDM (for D2C74-150)	40296EP	1

2" Stainless Steel Coupler

Bill of Materials

D2C7x-200

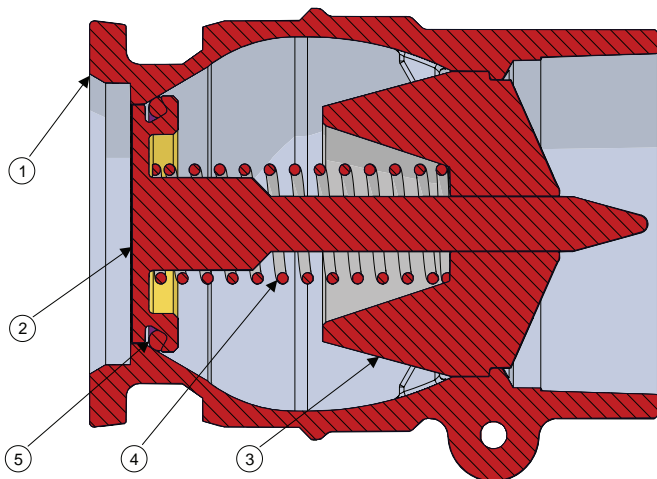
Item #	Description	Part #	Qty
1	lever	40080SS	1
2	lever cotter pin	40088SS	2
3	EZ-Boss lock cam arm	40089SS	2
4	lock washer	40099SS	1
5	socket head screw	40100SS	1
6	cam arm spring pin	40101SS	2
7A	cam gasket Buna (for D2C71-200)	250-G-BU	1
7B	cam gasket FKM (for D2C72-200)	250-G-VI	1
7C	cam gasket PTFE/silicone (for D2C73-200)	250-G-TES	1
7D	cam gasket EPDM (for D2C74-200)	250-G-EPDM	1
8	lever latch	40225SS	1
9	lever lock	40226SS	1
10	lever lock compression spring	40230SS	1
11	lever lock torsion spring	40231SS	1
12	lever clevis pin	40232SS	2
13	body	--	1
14	poppet	40298SS	1
15	poppet link arm	40299SS	2
16	bearing	40289FG	1
17	poppet cam	40300SS	1
18	poppet lever shaft	40291SS	1
19	poppet link rivet	40292SS	2
20	poppet lever shaft spring pin	40293SS	2
21	spacer	40294SS	1
22	poppet O-ring PTFE/FKM	40301TV	1
23A	lever shaft O-ring Buna (for D2C71-200)	40296BN	1
23B	lever shaft O-ring FKM (for D2C72-200)	40296VI	1
23C	lever shaft O-ring FFKM (for D2C73-200)	40296KR	1
24D	lever shaft O-ring EPDM (for D2C74-200)	40296EP	1

Product instruction sheets and technical data can be viewed on our website at canada.dixonvalve.com

Dry Disconnects

Dry Disconnect Bayonet Style Adapters

2" and 3" Adapters



2" Stainless Steel Adapter

Bill of Materials

BA3x-200

Item #	Description	Part #	Qty
1	stainless steel body	40053SS	1
2	brass poppet	40054BR	1
3	stainless steel deflector	40055SS	1
4	stainless steel spring	40056SS	1
5A	Buna O-ring (for BA31-200)	BA31-200RK1	1
5B	FKM O-ring (for BA32-200)	BA32-200RK1	1

3" Aluminum Adapter

Bill of Materials

BA6x-300

Item #	Description	Part #	Qty
1	aluminum body	40278AL	1
2	aluminum poppet	40279AL	1
3	aluminum deflector	40280AL	1
4	stainless steel spring	40281SS	1
5A	Buna O-ring (for BA61-300)	BA31-300RK1	1
5B	FKM O-ring (for BA62-300)	BA32-300RK1	1

3" Bronze Adapter

Bill of Materials

BA3x-300

Item #	Description	Part #	Qty
1	bronze body	40278BR	1
2	bronze poppet	40279BR	1
3	bronze deflector	40280BR	1
4	stainless steel spring	40281SS	1
5A	Buna O-ring (for BA31-300)	BA31-300RK1	1
5B	FKM O-ring (for BA32-300)	BA32-300RK1	1

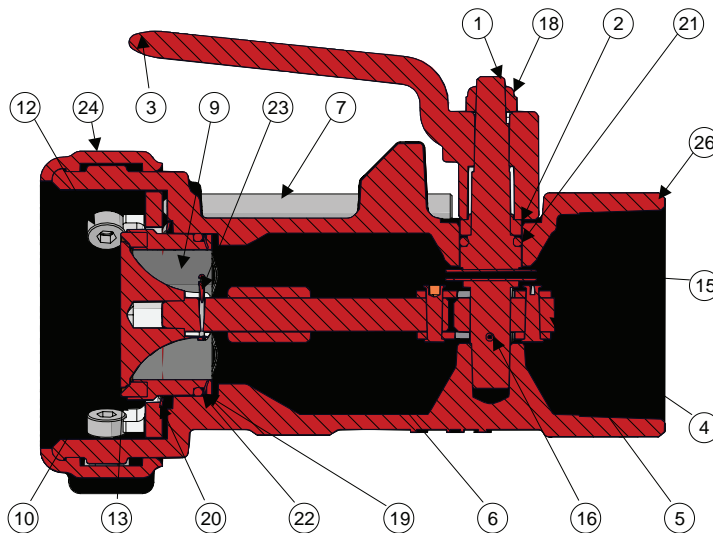
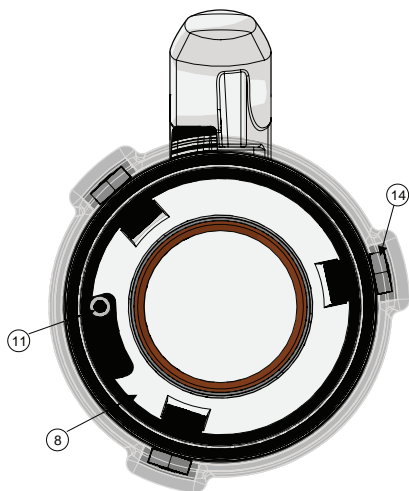
Petroleum
Replacement Parts

Product instruction sheets and technical data can be viewed on our website at canada.dixonvalve.com

Dry Disconnects

Dry Disconnect Bayonet Style Couplers

2" Straight Non-Swiveling Couplers



2" Stainless Steel Coupler

Bill of Materials

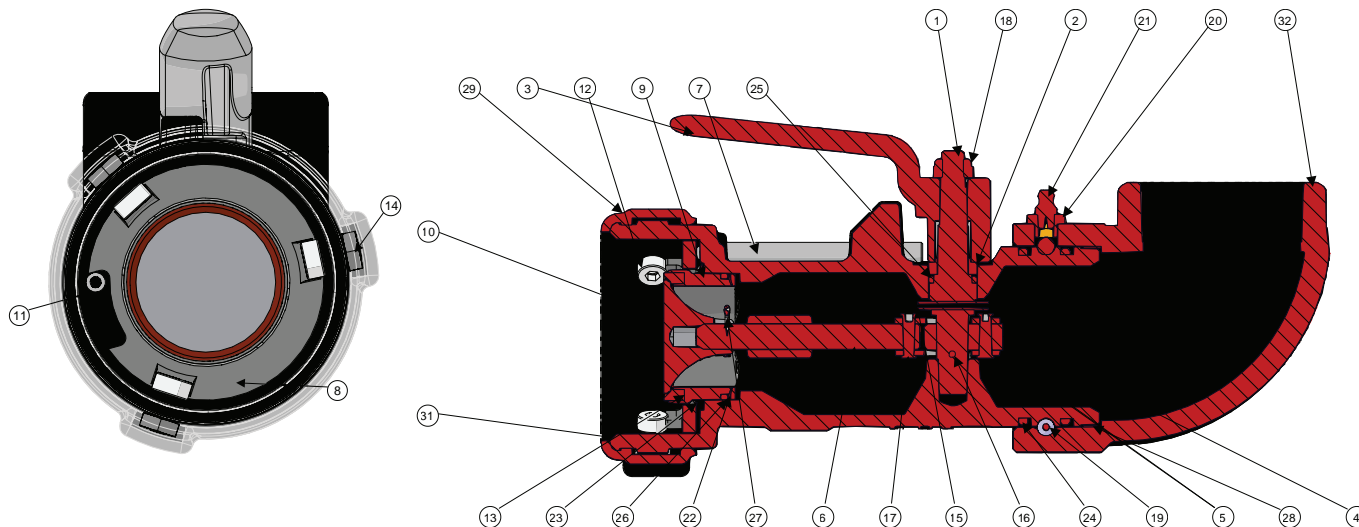
BC6x-200

Item #	Description	Part #	Qty
1	lever shaft	40138SS	1
2	lever shaft follower	40139SS	1
3	lever	40140SS	1
4	poppet link arm	40141SS	1
5	bent link	40142SS	2
6	stem	40143SS	1
7	interlocking pin	40144SS	1
8	lock ring	40145SS	1
9	nose piece	40146HC	1
10	poppet	40147CA	1
11	coiled pin	40148SS	1
12	bayonet stud	40149SS	3
13A	nose seal Buna (for BC61-200)	40150BN	1
13B	nose seal FKM (for BC62-200)	40150VI	1
14	jam nut	40151SS	3
15	spring pin	40152SS	1
16	coiled pin	40153SS	1
17	rivet	40154SS	2
18	lock nut	40155SS	1
19	wave spring	40159SS	2
20	wave spring washer	40160SS	1
21A	shaft O-ring Buna (for BC61-200)	40162BN	1
21B	shaft O-ring FKM (for BC62-200)	40162VI	1
22A	poppet O-ring Buna (for BC61-200)	40163BN	1
22B	poppet O-ring FKM (for BC62-200)	40163VI	1
23	cotter pin	40164SS	1
24	bumper ring	40166VY	1
25	label	40167AL	1
26	body	--	1

Product instruction sheets and technical data can be viewed on our website at canada.dixonvalve.com.

Dry Disconnects

Dry Disconnect Bayonet Style Couplers 2" 90° Straight Swivel Couplers



Bill of Materials BS6x-200 and BSS6x-200

Item #	Description	Part #	Qty
1	lever shaft	40138SS	1
2	follower	40139SS	1
3	lever (handle)	40140SS	1
4	link	40141SS	1
5	belt link	40142SS	2
6	stem	40143SS	1
7	interlocking pin	40144SS	1
8	lock rink	40145SS	1
9	nose piece	40146HC	1
10	poppet	40147CA	1
11	coiled pin	40148SS	1
12	bayonet stud	40149SS	3
13A	Buna nose seal (BS61-200)	40150BN	1
13B	FKM nose seal (BS62-200)	40150VI	1
14	jam nut	40151SS	3
15	spring pin	40152SS	1
16	grooved pin	40153SS	1
17	rivet	40154SS	2
18	lock nut	40155SS	1
19	ball bearing	40156SS	32
20	ball plug	40157BR	1
21A	grease fitting (BS6x-200)	40158ST	1
21B	set screw (BSS6x-200)	40178SS	1
22	wave spring	40159SS	2
23	wave spring washer	40160SS	1
24A	Buna swivel O-ring (BS & BSS61-200)	40161BN	2
24B	FKM swivel O-ring (BS & BSS62-200)	40161VI	2
25A	Buna stem O-ring (BS & BSS61-200)	40162BN	1
25B	FKM stem O-ring (BS & BSS62-200)	40162VI	1
26A	Buna nose O-ring (BS & BSS61-200)	40163BN	1
26B	FKM nose O-ring (BS & BSS62-200)	40163VI	1
27	cotter pin	40164SS	1
28	front bearing strip	40165NY	1
29	bumper ring	40166VY	1
30	label	40161AL	1
31	main body	---	1
32	swivel body	---	1

The 90° swivel coupler (BS series) is illustrated above. The straight swivel coupler (BSS series) uses the same components, except that it does not have #21A grease nipple; it utilizes a #21B set screw plug.

Repair Kits

Part #	Description	Includes Item #
BS61-200RK1	seal repair kit, Buna nose seal, spring pin, grooved pin, Buna swivel O-rings, Buna stem O-ring, Buna nose body O-ring, cotter pin, bearing strip and bumper ring	13A, 15, 16, 25A, 26A, 27, 28, 29
BS62-200RK1	seal repair kit, FKM nose seal, spring pin, grooved pin, FKM swivel O-rings, FKM stem O-ring, FKM nose body O-ring, cotter pin, bearing strip and bumper ring	13B, 15, 16, 25B, 26B, 27, 28, 29
BS61-200RK2	swivel seal repair kit, Buna swivel O-rings and bearing strip	24A, 28
BS62-200RK2	swivel seal repair kit, FKM swivel O-rings and bearing strip	24B, 28

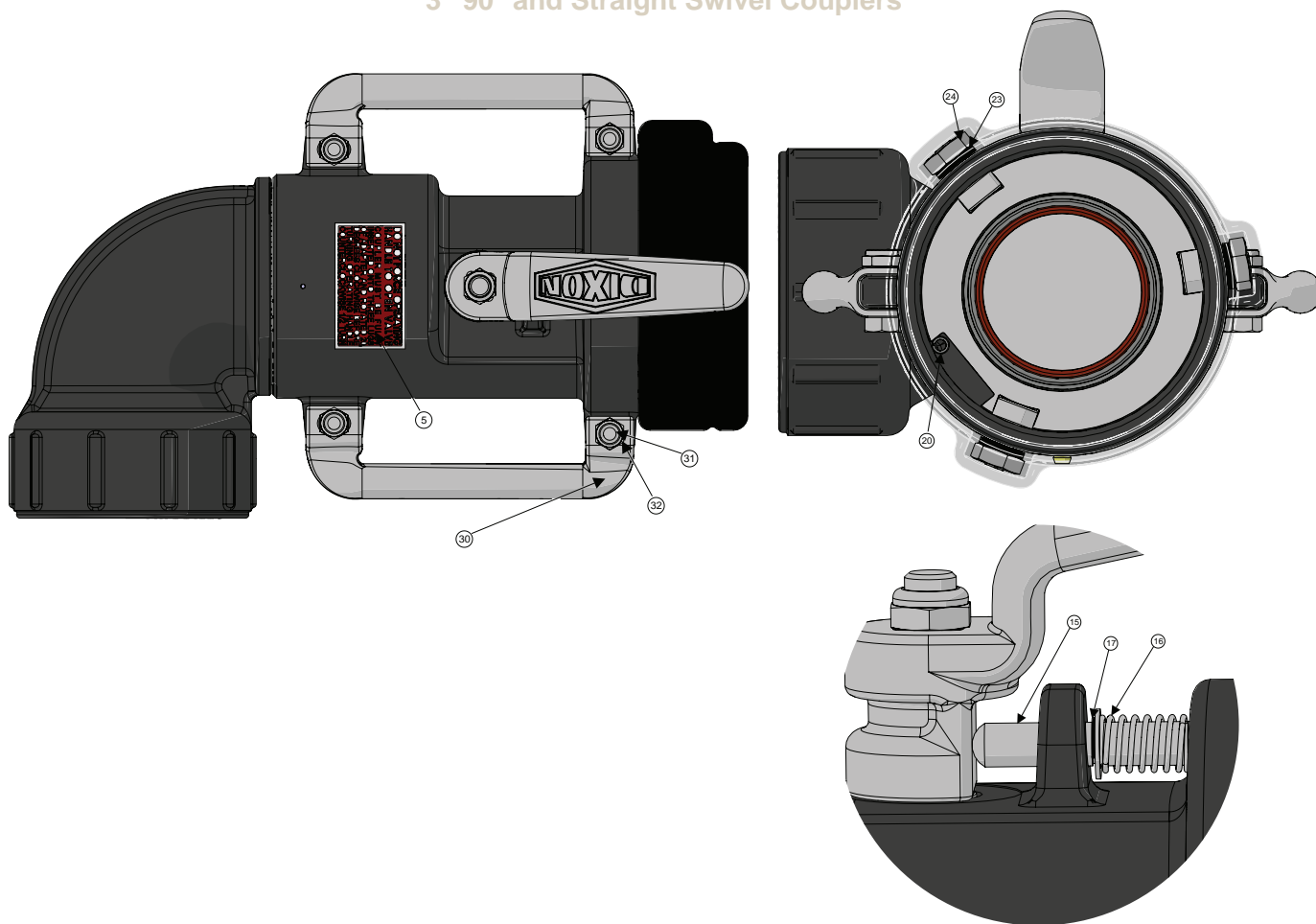
Petroleum Replacement Parts

Product instruction sheets and technical data can be viewed on our website at canada.dixonvalve.com.

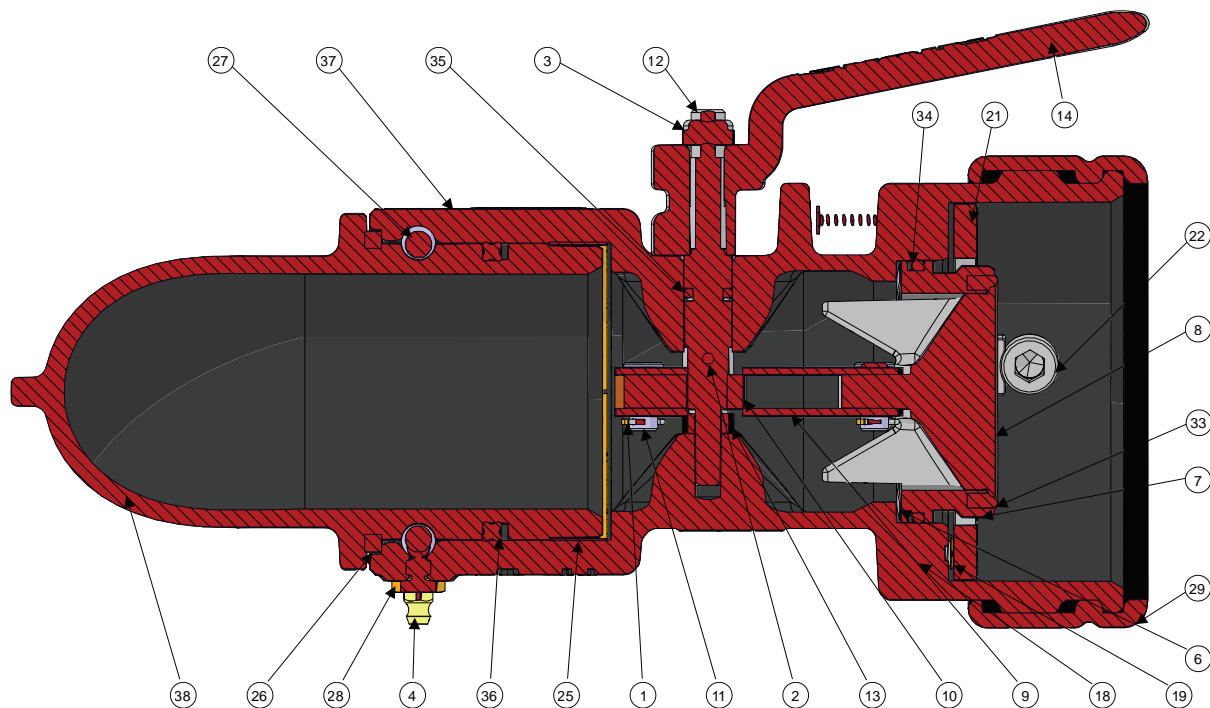
Dry Disconnects

BA/BS/BSS Series Bayonet Style Dry Disconnects

3" 90° and Straight Swivel Couplers



Petroleum
Replacement Parts



Product instruction sheets and technical data can be viewed on our website at canada.dixonvalve.com.

Dry Disconnects

BA/BS/BSS Series Bayonet Style Dry Disconnects

3" 90° and Straight Swivel Couplers

The 90° swivel coupler (BS series) is illustrated on page 128.
The straight swivel coupler (BSS series) uses the same components.

3" Swivel Aluminum Coupler

Bill of Materials

BS6x-300 and BSS6x-300

Item #	Description	Part #	Qty
1	cotter pin	40088SS	2
2	spring pin	40152SS	1
3	lock nut	40155SS	1
4	grease fitting	40158ST	1
5	label	40167AL	1
6	wave spring	40246SS	1
7	nose piece	40247HC	1
8	poppet	40248CA	1
9	bent link	40249SS	2
10	drive link	40250SS	1
11	clevis pin	40251SS	2
12	stem	40252SS	1
13	stem spacer	40253AL	1
14	lever (handle)	40254SS	1
15	interlock pin	40255SS	1
16	compression spring	40256SS	1
17	retaining ring	40257ST	1
18	compression spring	40258SS	3
19	eyelet	40259BR	3
20	spring pin	40260SS	1
21	lock ring	40261SS	1
22	bayonet stud	40262SS	3
23	lock washer	40263SS	3
24	nut	40264SS	3
25	bearing strip	40265NY	1
26	dust seal	40266FL	1
27	ball bearings	40267SS	27
28	ball plug	40268BR	1
29	bumper ring	40269VY	1
30	grip handle	40270SS	2
31	bolt	40271SS	4
32	lock nut	40272SS	4
33A	Buna nose seal	40273BN	1
33B	FKM nose seal	40273VI	1
34A	Buna nose body O-ring	40274BN	1
34B	FKM nose body O-ring	40274VI	2
35A	Buna stem O-ring	40275BN	1
35B	FKM stem O-ring	40275VI	1
36A	Buna quad ring	40276BN	1
36B	FKM quad ring	40276VI	1
37	main body	---	1
38	swivel body	---	1

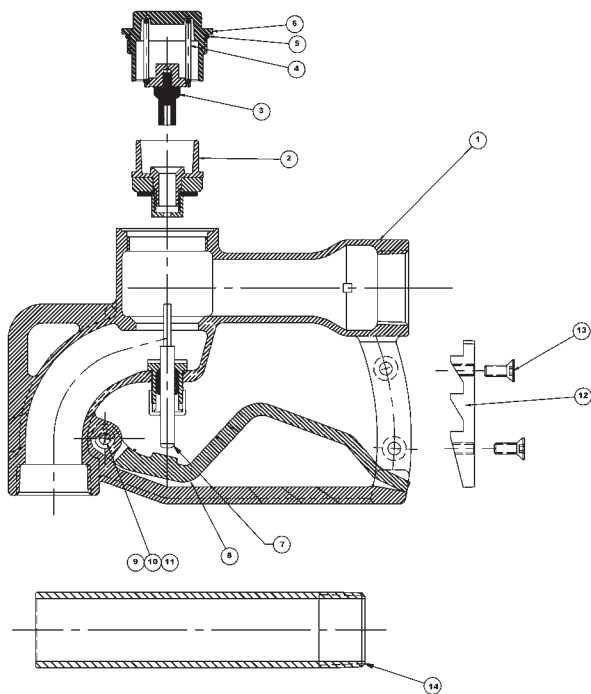
Repair Kits

Part #	Description	Includes Item #
BS61-300RK1	seal repair kit, Buna nose seal, spring pin, Buna swivel O-rings, Buna stem O-ring, Buna nose body O-ring, cotter pin, bearing strip and bumper ring	1, 2, 25, 29, 33A, 34A, 35A
BS62-300RK1	seal repair kit, FKM nose seal, spring pin, FKM swivel O-rings, FKM stem O-ring, FKM nose body O-ring, cotter pin, bearing strip and bumper ring	1, 2, 25, 29, 33B, 34B, 35B
BS61-300RK2	swivel seal repair kit, Buna swivel O-rings and bearing strip	25, 26, 36A
BS62-300RK2	swivel seal repair kit, FKM swivel O-rings and bearing strip	25, 26, 36B

Product instruction sheets and technical data can be viewed on our website at canada.dixonvalve.com.

Fuel Nozzles

112D and 112DNS (1½") Bulk Delivery Nozzles



Bill of Materials

Item #	Description	Part #	Qty
1	body	---	1
2	main poppet assembly	use kit 112DSK	1
3	secondary poppet assembly	use kit 112DSK	1
4	poppet spring	SPRG-L368	1
5	Buna cap O-ring	O-RING#132	1
6	bronze cap	112DAL-9	1
7	valve stem assembly	use kit 112DSK	1
8	trigger	use kit 114/2D-TK	1
9	trigger bushing	114DAL-10	1
10	trigger pin	PIN-L389-SS	1
11	trigger cotter pin	110746	1
12	ratchet plate	340164	1
13	ratchet plate screws	110798	2
14	spout	1125A	1

Repair Kits

Part #	Description	Includes Item #
112DSK	main poppet, steel poppet, cap O-ring, valve stem	2, 3, 5, 7
1125A	1½" aluminum spout	14
1125B	1½" brass spout (optional)	---
114/2D-TK	trigger, pin, cotter pin, bushing	8, 9, 10, 11
114DAL-AV-19	blank plate to replace ratchet plate if ratchet is not required (optional)	---

Product instruction sheets and technical data can be viewed on our website at canada.dixonvalve.com.

Fuel Nozzles

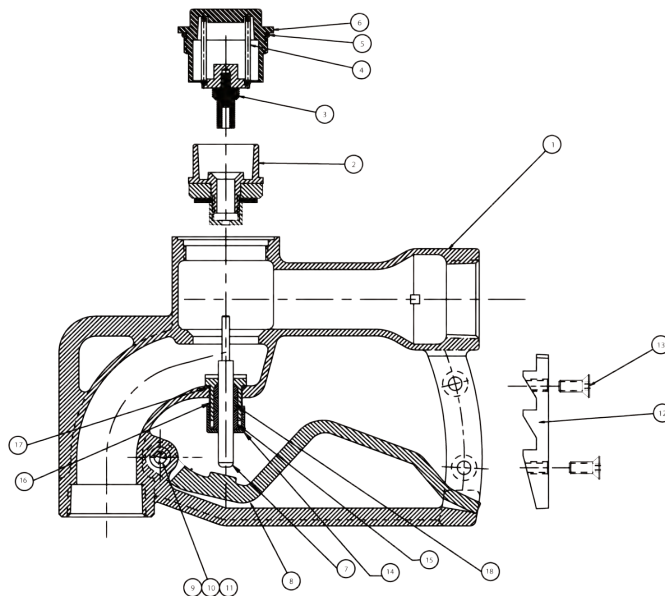
114D and 114DNS (1¼") Bulk Delivery Nozzles

Bill of Materials

Item #	Description	Part #	Qty
1	body	---	1
2	main poppet assembly	use kit 114DSK	1
3	secondary poppet assembly	use kit 114DSK	1
4	poppet spring	SPRG-L368	1
5	Buna cap O-ring	O-RING-AS-129	1
6	bronze cap	114DAL-2	1
7	valve stem assembly	use kit 114DSK	1
8	trigger	use kit 114/2D-TK	1
9	trigger bushing	114DAL-10	1
10	trigger pin	PIN-L389-SS	1
11	trigger cotter pin	110746	1
12	ratchet plate	340164	1
13	ratchet plate screws	110798	2
14	aluminum spout	1143A	1
15	sleeve stem packing	SLVL358-1	1
16	valve stem guide and O-ring	use kit 114DSK	1
17	valve stem O-ring	O-RING-AS016	1
18	valve stem packing	STEMPACK-L360	2
19	valve stem nut	NUTL357-1	1

Repair Kits

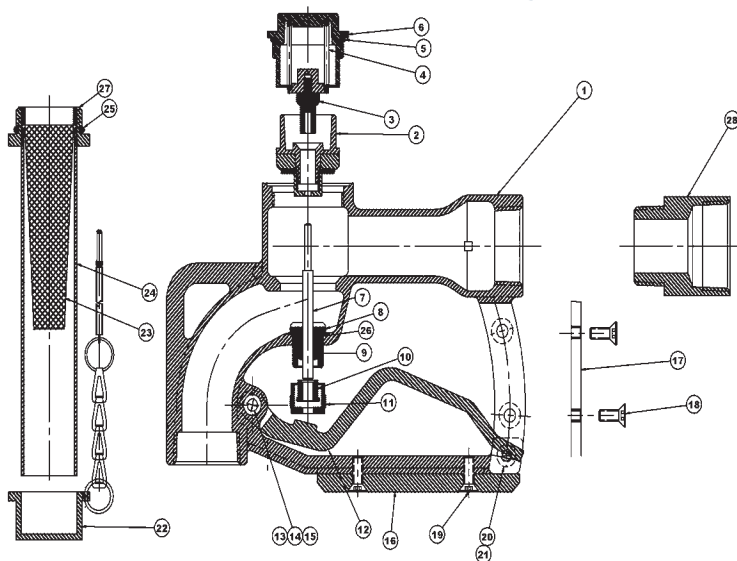
Part #	Description	Includes Item #
114DSK	main and secondary poppets, cap O-ring, valve stem assembly and packing, sleeve stem packing and nut	2, 3, 5, 7, 15, 16, 17, 18, 19
114/2D-TK	trigger, pin, bushing and cotter pin	8, 9, 10, 11
1143A	aluminum spout	14
1143B	optional brass spout	replaces 14
114DAL-AV-19	optional blank plate to replace ratchet plate, if ratchet not desired	replaces 12



Product instruction sheets and technical data can be viewed on our website at canada.dixonvalve.com.

Fuel Nozzles

114D-AV Aircraft Overwing Nozzles



Bill of Materials

Item #	Description	Part #	Qty
1	body	---	1
2	main poppet assembly	use kit 114DAV-SK	1
3	second poppet assembly	use kit 114DAV-SK	1
4	poppet spring	SPRG-L368	1
5	Buna cap O-ring	O-RING-AS-129	1
6	bronze cap	114DAL-4	1
7	valve stem	114DAL-3	1
8	valve stem guide and O-ring	use kit 114DAV-SK	1
9	valve stem packing	STEMPACK-L360	2
10	sleeve stem packing	SLV358-1	1
11	valve stem nut	NUTL357-1	1
12	trigger	use kit 114/2D-TK	1
13	trigger bushing	114DAL-10	1
14	trigger pin	PIN-L389-SS	1
15	cotter pin	110746	1
16	base plate	110088	1
17	trigger spacer	114DAL-AV-19	1
18	trigger spacer screws	110798	2
19	base plate screws	100AV-15	2
20	ground screw	407119	1
21	ground screw lock washer	100AV-17	1
22	spout cap	114DAL-AV-22	1
23A	1" spout filter screen (114DAVR)	100AV-12	1
23B	1¼" spout filter screen (114D-AV, 114D-AV-06ASM)	114DAL-AV-20	1
24A	1" spout (114DAVR)	use kit 114DAL-AV-25	1
24B	1¼" spout (114D-AV, 114D-AV-06ASM)	use kit 114DAL-AV-16	1
25A	1" spout O-ring (114DAVR)	use kit 114DAL-AV-25	1
25B	1¼" spout O-ring (114D-AV, 114D-AV-06ASM)	use kit 114DAL-AV-16	1
26	valve stem guide O-ring	O-RING-AS016	1
27A	1" spout adapter (114DAVR)	use kit 114DAL-AV-25	1
27B	1¼" spout adapter (114D-AV, 114D-AV-06ASM)	use kit 114DAL-AV-16	1
28	1½" inlet expander (114D-AV-06ASM)	340165	1

Repair Kits

Part #	Description	Includes Item #
114/2D-TK	trigger, bushing, pin and cotter pin	12, 13, 14, 15
114DAV-SK	main and secondary poppet assemblies, cap O-ring and valve stem assembly	2, 3, 5, 8
114DAL-AV-25	1" spout assembly (114DAVR)	24A, 25A, 27A
114DAL-AV-16	1¼" spout assembly (114D-AV, 114D-AV-06ASM)	24B, 25B, 27B

Product instruction sheets and technical data can be viewed on our website at canada.dixonvalve.com.

Petroleum Replacement Parts

Fuel Nozzles

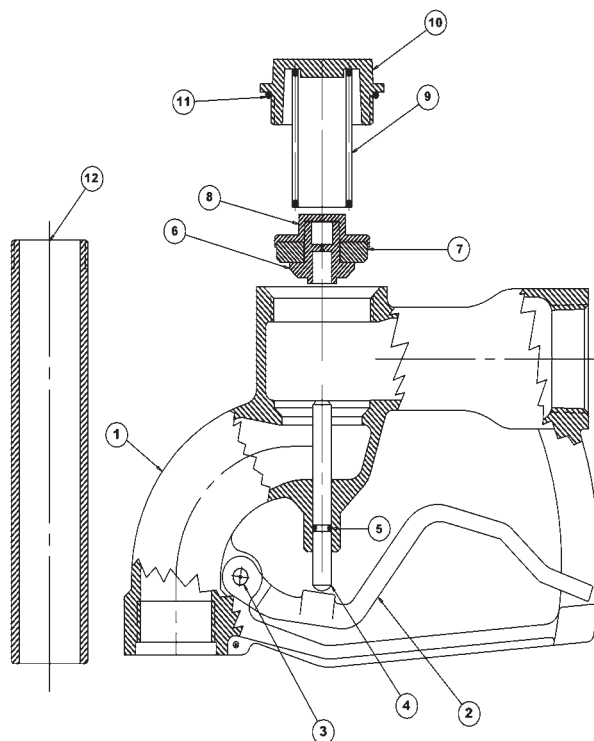
1250-94 Series Gravity Nozzles

Bill of Materials

Item #	Description	Part #	Qty
1	body	---	1
2	trigger	use kit 1250TK	1
3	trigger pin	use kit 1250TK	1
4	valve stem plunger	use kit 1250SK	1
5	plunger O-ring	500-7A2	1
6	valve base	use kit 1250SK	1
7	valve seal	use kit 1250SK	1
8	valve plate	use kit 1250SK	1
9	valve spring	SPRG-L368	1
10	aluminum cap	1250-2	1
11	Buna O-ring cap	O-RING#132	1
12	aluminum spout	1250-3	1

Repair Kits

Part #	Description	Includes Item #
1250TK	trigger, pin	2, 3
1250SK	plunger, O-rings, valve seal, valve base, valve plate	4, 5, 6, 7, 8, 11



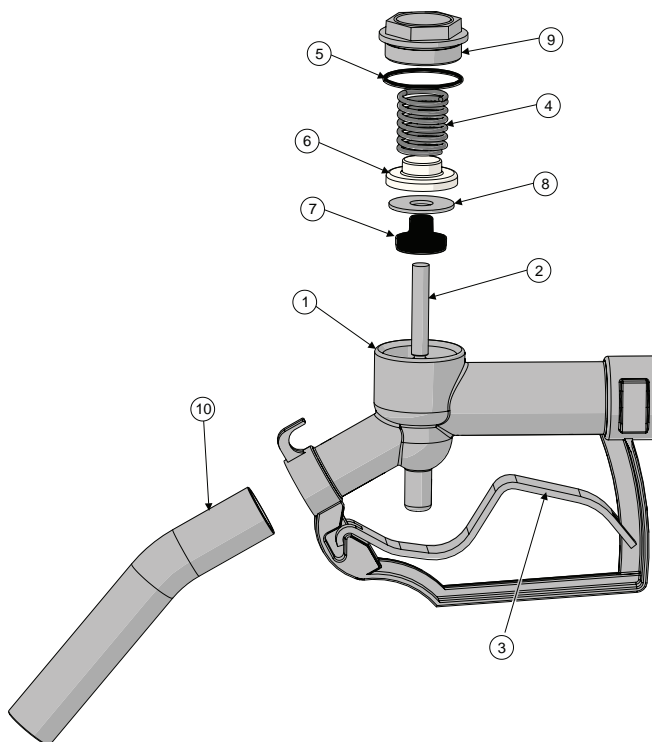
900 Series Utility Nozzles

Bill of Materials

Item #	Description	Part #	Qty
1	body	---	1
2	plunger	use kit 900SK	1
3	trigger	900TK	1
4	valve spring	SPRG-972	1
5	cap O-ring	112099	1
6	holder valve gasket	use kit 900SK	1
7	holder button gasket	use kit 900SK	1
8	valve seal	use kit 900SK	1
9	cap	875-3	1
10A	1" spout	875-4	1
10B	3/4" spout	234-80-4	1
10C	1" bent spout	875-5	1
10D	3/4" bent spout	234-80-5	1
not illustrated	3/4" FNPT inlet reducer	900RB	1

Repair Kits

Part #	Description	Includes Item #
900TK	trigger	3
900SK	plunger assembly, valve assembly, cap O-ring	2, 4, 5, 6, 7, 8, 9

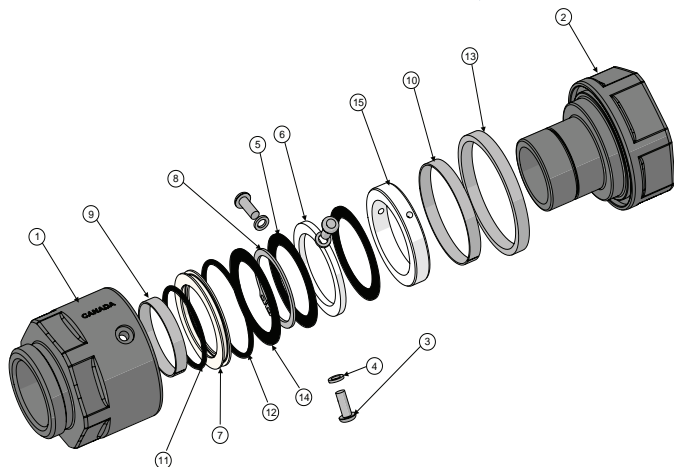


Petroleum
Replacement Parts

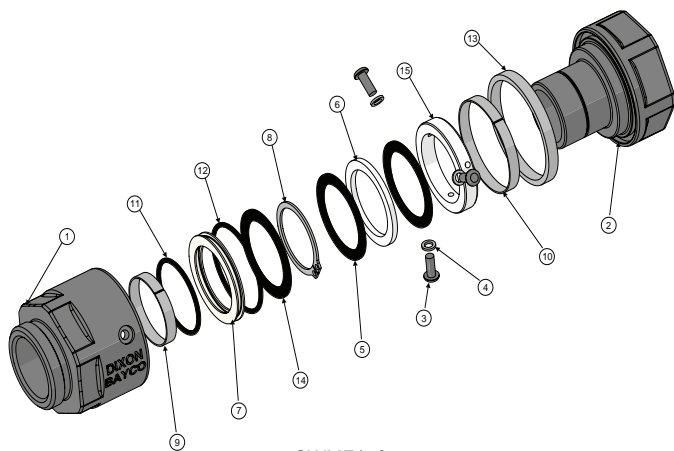
Product instruction sheets and technical data can be viewed on our website at canada.dixonvalve.com.

Fuel Nozzles

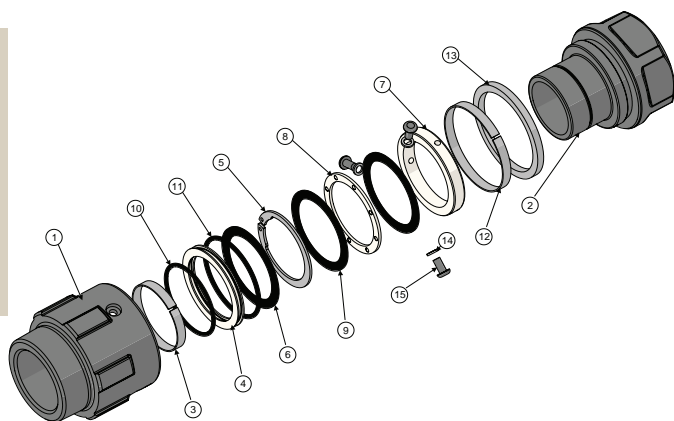
SWMF125, SWMF150 and SWMF200 Swivels



SWMF125



SWMF150



SWMF200

Bill of Materials

SWMF125 and SWMF150

Item #	Description	Part #	Qty
1	female body	---	1
2	male body	---	1
3	screw	use kit SWMF-RK2	3
4	lock washer	use kit SWMF-RK2	3
5	thrust bearing	use kit SWMF-RK3	1
6	thrust washer	use kit SWMF-RK3	2
7	O-ring holder	use kit SWMF-RK2 or SWMF-RK3	1
8	retaining ring	use kit SWMF-RK3	1
9	front bearing	use kit SWMF-RK2 or SWMF-RK3	1
10	rear bearing	use kit SWMF-RK2 or SWMF-RK3	1
11	O-ring	use kit SWMF-RK2 or SWMF-RK3	1
12	O-ring	use kit SWMF-RK2 or SWMF-RK3	1
13	felt ring	use kit SWMF-RK2 or SWMF-RK3	1
14	support washer	use kit SWMF-RK3	1
15	support ring	use kit SWMF-RK3	1

Bill of Materials

SWMF200

Item #	Description	Part #	Qty
1	female body	---	1
2	male body	---	1
3	front bearing	use kit SWMF-RK22 or SWMFRK32	3
4	O-ring holder	use kit SWMF-RK22 or SWMFRK32	3
5	retaining ring	use kit SWMF-RK32	1
6	support washer	use kit SWMF-RK32	1
7	support ring	use kit SWMF-RK32	1
8	thrust washer	use kit SWMF-RK32	2
9	thrust bearing	use kit SWMF-RK32	1
10	O-ring	use kit SWMF-RK22 or SWMFRK32	1
11	large O-ring	use kit SWMF-RK22 or SWMFRK32	1
12	rear bearing	use kit SWMF-RK22 or SWMFRK32	1
13	felt ring	use kit SWMF-RK22 or SWMFRK32	1
14	lock washer	use kit SWMF-RK32	3
15	screw	use kit SWMF-RK32	3

Repair Kits

Part #	Description	Includes Item #
SWMF-RK1	swivel grease nipple kit	---
SWMF-RK2	swivel seal and wear kit	3, 4, 7, 9, 10, 11, 12, 13
SWMF-RK3	complete swivel rebuild kit	3, 4, 5, 6, 7, 8, 9, 10, 11, 12, 13, 14, 15
SWMF-RK22	swivel seal and wear kit	3, 4, 10, 11, 12, 13
SWMF-RK32	complete rebuild kit	3, 4, 5, 6, 7, 8, 9, 10, 11, 12, 13, 14, 15

Product instruction sheets and technical data can be viewed on our website at canada.dixonvalve.com.

Fuel Nozzles

Hose Shank and Check Valve Swivels

Bill of Materials

Check Valve NPT Swivel

Part #	Description
1280	1¼" MNPT x 1¼" FNPT
1580U	1½" MNPT x 1½" FNPT
1580R	1¼" MNPT x 1½" FNPT



Bill of Materials

Hose x MNPT Swivel

Part #	Description
1265	1¼" MNPT x 1¼" hose shank
1565U	1½" MNPT x 1½" hose shank
1570	1½" MNPT x 1⅜" hose shank

Repair Kits

Part #	Description
1200SK	seal kit and retaining ring for 1280, 1265 and 1580R
1500SK	seal kit and retaining ring for 1565U, 1580U
1570RK	seal kit and retaining ring for 1570



500AV and 525AV Angle Valves

Repair Kits

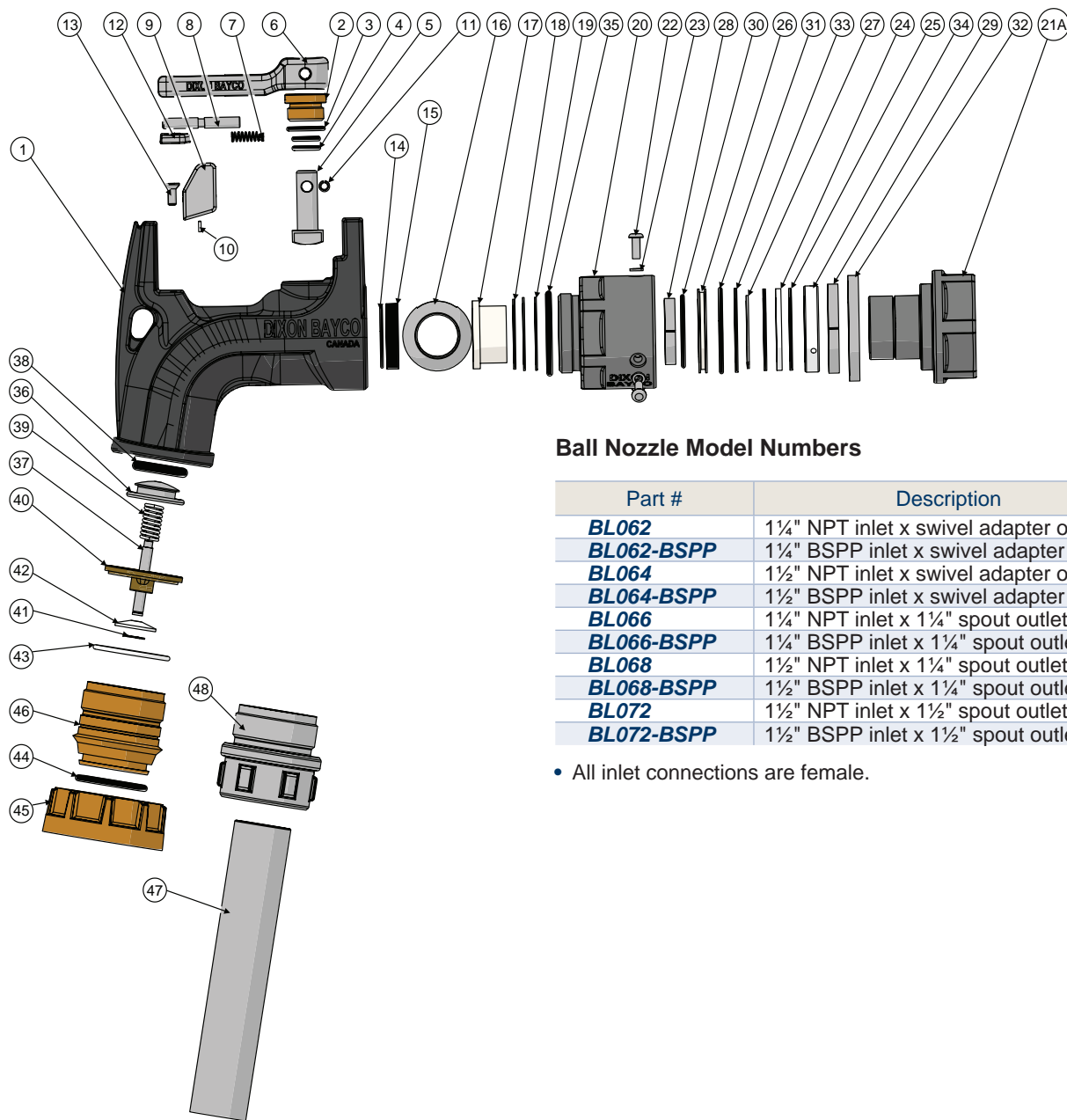
Part #	Description
500AV	1" female NPT inlet and outlet
525AV	1¼" female NPT inlet and outlet



Product instruction sheets and technical data can be viewed on our website at canada.dixonvalve.com.

Fuel Nozzles

BL Ball Nozzles



Ball Nozzle Model Numbers

Part #	Description
BL062	1¼" NPT inlet x swivel adapter outlet
BL062-BSPP	1¼" BSPP inlet x swivel adapter outlet
BL064	1½" NPT inlet x swivel adapter outlet
BL064-BSPP	1½" BSPP inlet x swivel adapter outlet
BL066	1¼" NPT inlet x 1¼" spout outlet
BL066-BSPP	1¼" BSPP inlet x 1¼" spout outlet
BL068	1½" NPT inlet x 1¼" spout outlet
BL068-BSPP	1½" BSPP inlet x 1¼" spout outlet
BL072	1½" NPT inlet x 1½" spout outlet
BL072-BSPP	1½" BSPP inlet x 1½" spout outlet

- All inlet connections are female.

Petroleum Replacement Parts

Repair Kits

Part #	Description	Includes Item #
SWMF-RK1	inlet swivel grease nipple kit (optional)	not illustrated
SWMF-RK2	inlet swivel seal and wear kit	22, 23, 26, 28, 29, 30, 31, 32
SWMF-RK3	complete inlet swivel rebuild kit	22, 23, 24, 25, 26, 27, 28, 29, 30, 31, 32, 33, 34
SWMF-RK4	1½" FNPT replacement inlet swivel	20, 21B, 22(3), 23(3), 24, 25(2), 26, 27, 28, 29, 30, 31, 32, 33, 34, 35
SWMF-RK5	1¼" FNPT replacement inlet swivel	20, 21A, 22(3), 23(3), 24, 25(2), 26, 27, 28, 29, 30, 31, 32, 33, 34, 35
SWMF-RK6	1½" BSPP replacement inlet swivel	20, 21C, 22(3), 23(3), 24, 25(2), 26, 27, 28, 29, 30, 31, 32, 33, 34, 35
BL005	swivel outlet (BL062, BL064)	43, 44, 45, 46
BL-RK4	ball valve shaft seal kit	2, 3, 4, 5
BL-RK10	complete ball nozzle seal kit	3, 4, 14, 15, 17, 35, 38, 43, 44
BL-RK11	optional check valve 5 PSI spring kit	39B, 43
BL-RK12	standard check valve 3 PSI cartridge kit	36, 37, 38, 39a, 40, 41, 42, 43
BL-RK13	trigger kit	6, 7, 8, 9, 10, 11, 12, 13(2)

Product instruction sheets and technical data can be viewed on our website at canada.dixonvalve.com.

Fuel Nozzles

BL Ball Nozzles

Bill of Materials

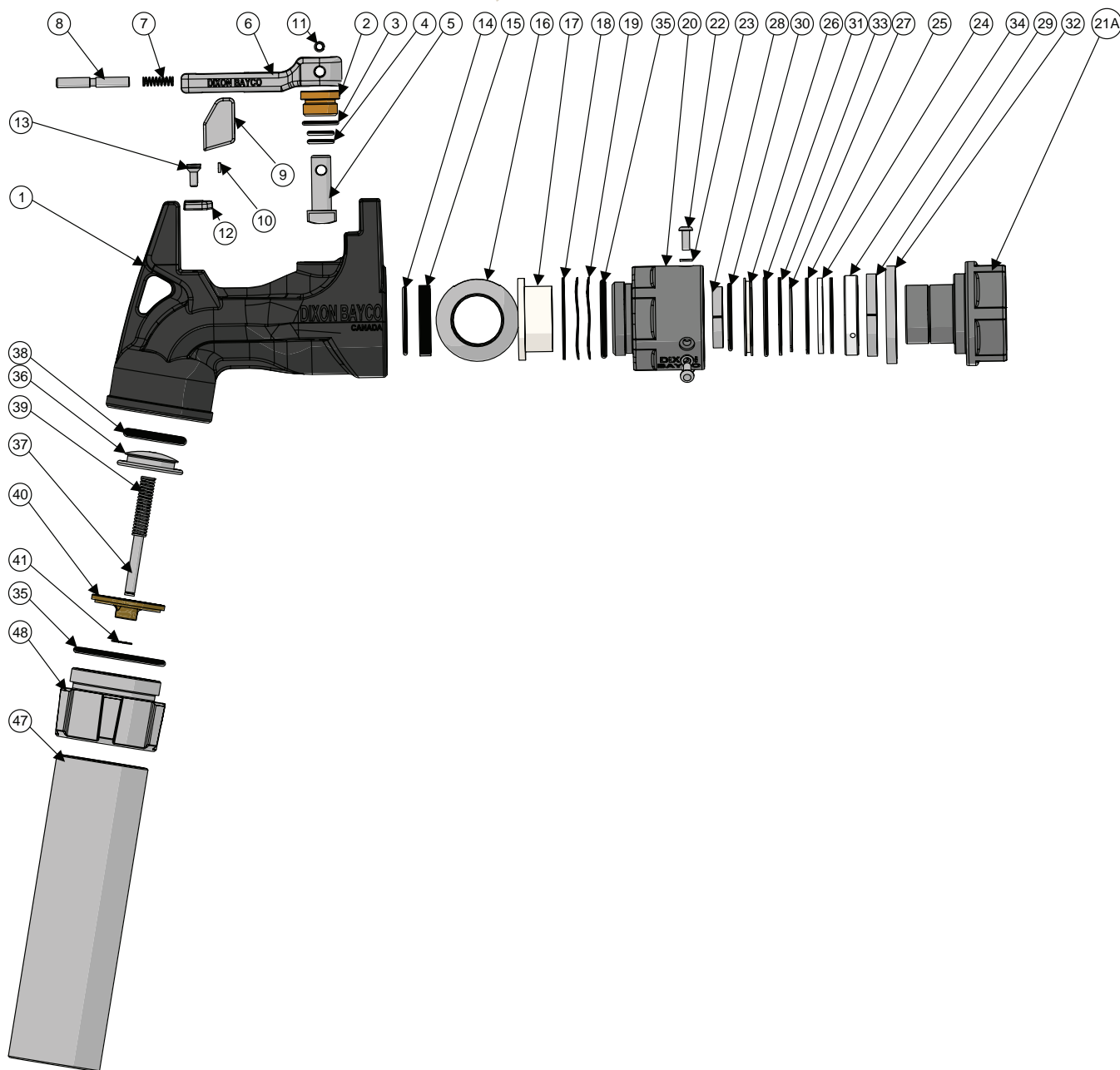
Item #	Description	Part #	Qty
1	body	---	1
2	bronze guide shaft	use kit BL-RK4	1
3	O-ring	use kit BL-RK4 or BL-RK10	1
4	O-ring	use kit BL-RK4 or BL-RK10	2
5	shaft lever	use kit BL-RK4	1
6	lever	use kit BL-RK13	1
7	compression spring	use kit BL-RK13	1
8	shaft latch	use kit BL-RK13	1
9	latch	use kit BL-RK13	1
10	screw	use kit BL-RK13	1
11	pin	use kit BL-RK13	1
12	lever plate	use kit BL-RK13	1
13	screw	use kit BL-RK13	2
14	O-ring	use kit BL-RK10	1
15	seal	use kit BL-RK10	1
16	ball	BL062-2	1
17	ball seat	use kit BL-RK10	1
18	washer	111719	1
19	wave spring	110902	2
20	swivel body	use kit SWMF-RK4, SWMF-RK5 or SWMF-RK6	1
21A	swivel inlet 1¼" NPT	use kit SWMF-RK5	1
21B	swivel inlet 1½" NPT	use kit SWMF-RK4	1
21C	swivel inlet 1½" BSPP	use kit SWMF-RK6	1
22	screw	use kit SWMF-RK2, SWMF-RK3, SWMF-RK4, SWMF-RK5 or SWMF-RK6	3
23	lock washer	use kit SWMF-RK2, SWMF-RK3, SWMF-RK4, SWMF-RK5 or SWMF-RK6	3
24	thrust bearing	use kit SWMF-RK3, SWMF-RK4, SWMF-RK5 or SWMF-RK6	1
25	thrust washer	use kit SWMF-RK3, SWMF-RK4, SWMF-RK5 or SWMF-RK6	2
26	O-ring holder	use kit SWMF-RK2, SWMF-RK3, SWMF-RK4, SWMF-RK5 or SWMF-RK6	1
27	retaining ring	use kit SWMF-RK3, SWMF-RK4, SWMF-RK5 or SWMF-RK6	1
28	font bearing	use kit SWMF-RK2, SWMF-RK3, SWMF-RK4, SWMF-RK5 or SWMF-RK6	1
29	rear bearing	use kit SWMF-RK2, SWMF-RK3, SWMF-RK4, SWMF-RK5 or SWMF-RK6	1
30	O-ring	use kit SWMF-RK2, SWMF-RK3, SWMF-RK4, SWMF-RK5 or SWMF-RK6	1
31	O-ring	use kit SWMF-RK2, SWMF-RK3, SWMF-RK4, SWMF-RK5 or SWMF-RK6	1
32	dust seal	use kit SWMF-RK2, SWMF-RK3, SWMF-RK4, SWMF-RK5 or SWMF-RK6	1
33	support washer	use kit SWMF-RK3, SWMF-RK4, SWMF-RK5 or SWMF-RK6	1
34	support ring	use kit SWMF-RK3, SWMF-RK4, SWMF-RK5 or SWMF-RK6	1
35	O-ring	use kit SWMF-RK4, SWMF-RK5 or SWMF-RK6	1
36	poppet	use kit BL-RK12	1
37	stem	use kit BL-RK12	1
38	O-ring	use kit BL-RK10 or BL-RK12	1
39A	compression spring (3 PSI)	use kit BL-RK12	1
39B	compression spring (5 PSI)	use kit BL-RK11	1
40	bridge	use kit BL-RK12	1
41	retaining ring	use kit BL-RK12	1
42	washer	use kit BL005, BL-RK10, BL-RK11 or BL-RK12	1
43	O-ring	use kit BL005, BL-RK10 or BL-RK12	1
44	O-ring	use kit BL005	1
45	swivel nut	use kit BL005	1
46	swivel adapter	use kit BL005	1
47A	spout 1¼"	1143A	1
47B	spout 1½"	1125A	1
48A	spout adapter 1¼" NPT	341703	1
48B	spout adapter 1½" NPT	BL007	1

Product instruction sheets and technical data can be viewed on our website at canada.dixonvalve.com.

Fuel Nozzles

BL Super Ball Nozzles

BL918, BL919 and BL920



Repair Kits

Part #	Description	Includes Item #
SWMF-RK1	inlet swivel grease nipple kit (optional)	not illustrated
SWMF-RK22	inlet swivel seal and wear kit	22, 23, 26, 28, 29, 30, 31, 32
SWMF-RK32	complete inlet swivel rebuild kit	22, 23, 24, 25, 26, 27, 28, 29, 30, 31, 32, 33, 34
SWMF-RK42	2" FNPT replacement inlet swivel	20, 21A, 22(3), 23(3), 24, 25(2), 26, 27, 28, 29, 30, 31, 32, 33, 34, 35
SWMF-RK52	1½" FNPT replacement inlet swivel	20, 21B, 22(3), 23(3), 24, 25(2), 26, 27, 28, 29, 30, 31, 32, 33, 34, 35
BL-RK42	ball valve shaft seal kit	2, 3, 4, 5
BL-RK102	complete ball nozzle seal kit	3, 4, 14, 15, 17, 35, 38
BL-RK112	optional check valve 5 PSI spring kit	35, 39B
BL-RK122	standard check valve 3 PSI cartridge kit	35, 36, 37, 38, 39a, 40, 41
BL-RK13	trigger kit	6, 7, 8, 9, 10, 11, 12, 13(2)

Product instruction sheets and technical data can be viewed on our website at canada.dixonvalve.com.

Fuel Nozzles

BL Super Ball Nozzles

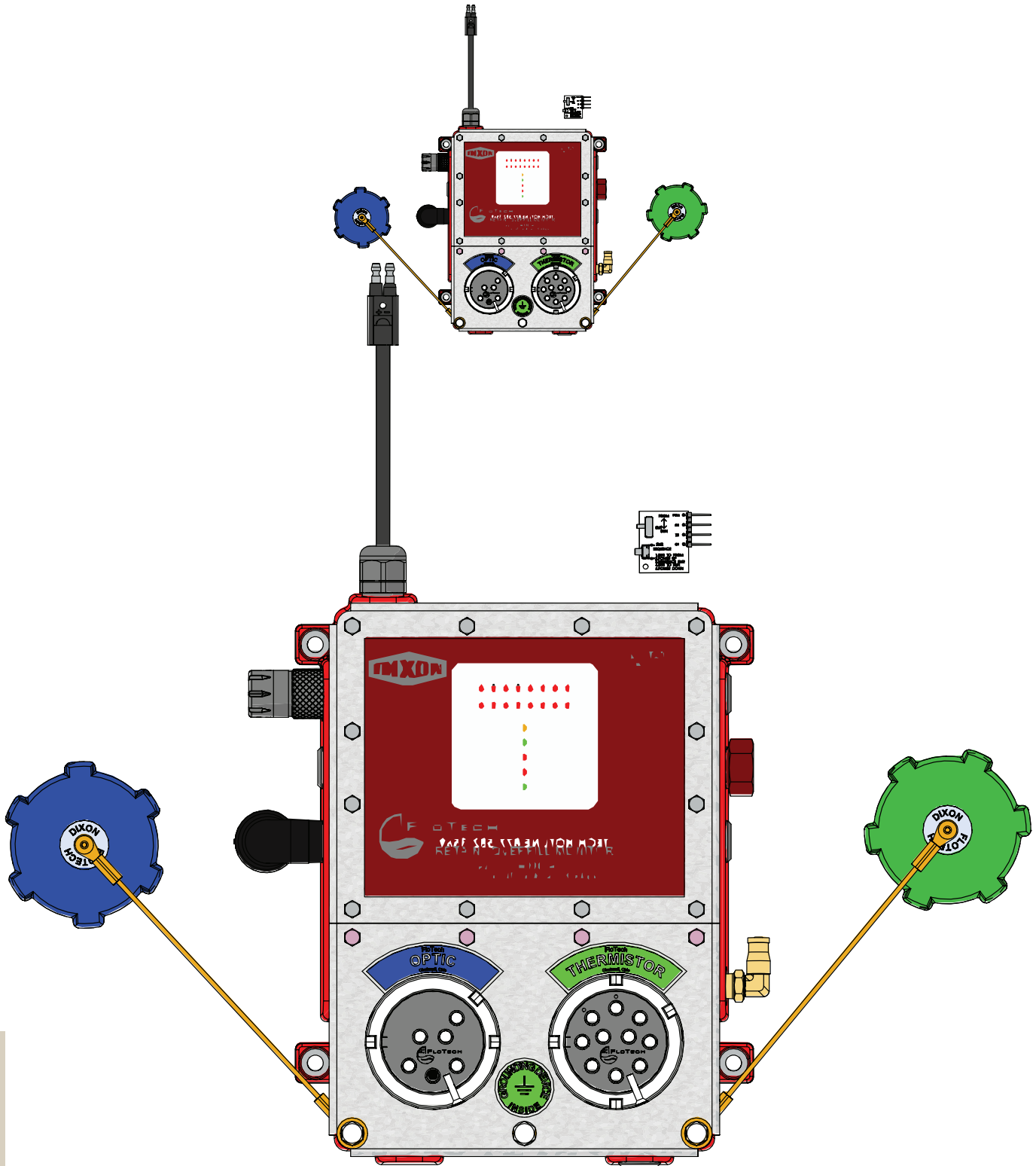
Bill of Materials

Item #	Description	Part #	Qty
1	body	---	1
2	bronze guide shaft	use kit BL-RK42	1
3	O-ring	use kit BL-RK42 or BL-RK102 (includes item 35)	2
4	O-ring	use kit BL-RK42 or BL-RK102 (includes item 35)	1
5	shaft lever	use kit BL-RK42	1
6	lever	use kit BL-RK13	1
7	compression spring	use kit BL-RK13	1
8	shaft latch	use kit BL-RK13	1
9	latch	use kit BL-RK13	1
10	screw	use kit BL-RK13	1
11	pin	use kit BL-RK13	1
12	lever plate	use kit BL-RK13	1
13	screw	use kit BL-RK13	2
14	O-ring	use kit BL-RK102	1
15	seal	use kit BL-RK102	1
16	ball	112091	1
17	ball seat	use kit BL-RK102	1
18	washer	112092	1
19	wave spring	112090	2
20	swivel body	use kit SWMF-RK42 or SWMF-RK52	1
21A/B	swivel inlet	use kit SWMF-RK42 or SWMF-RK52	1
22	screw	use kit SWMF-RK22 , SWMF-RK42 or SWMF-RK52	3
23	lock washer	use kit SWMF-RK22 , SWMF-RK42 or SWMF-RK52	3
24	thrust bearing	use kit SWMF-RK42 or SWMF-RK52	1
25	thrust washer	use kit SWMF-RK42 or SWMF-RK52	2
26	O-ring holder	use kit SWMF-RK22 , SWMF-RK32 , SWMF-RK42 or SWMF-RK52	1
27	retaining ring	use kit SWMF-RK32 (includes items 22,23, 24, 25, 33, 34), SWMF-RK42 or SWMF-RK52	1
28	front bearing	use kit SWMF-RK22 , SWMF-RK32 , SWMF-RK42 or SWMF-RK52	1
29	rear bearing	use kit SWMF-RK22 , SWMF-RK32 , SWMF-RK42 or SWMF-RK52	1
30	O-ring	use kit SWMF-RK22 , SWMF-RK32 , SWMF-RK42 or SWMF-RK52	1
31	O-ring	use kit SWMF-RK22 , SWMF-RK32 , SWMF-RK42 or SWMF-RK52	1
32	dust seal	use kit SWMF-RK22 , SWMF-RK32 , SWMF-RK42 or SWMF-RK52	1
33	support washer	use kit SWMF-RK42 or SWMF-RK52	1
34	support ring	use kit SWMF-RK42 or SWMF-RK52	1
35	O-ring	use kit SWMF-RK42 or SWMF-RK52	1
36	poppet	use kit BL-RK122	1
37	stem	use kit BL-RK122	1
38	O-ring	use kit BL-RK102 (includes item 35) or BL-RK122	1
39A/B	compression spring	use kit BL-RK112 or BL-RK122	1
40	bridge	use kit BL-RK122	1
41	retaining ring	use kit BL-RK122	1
47A/47B	spout	391137 (2") / 1125A (1½")	1
48A/48B	spout adapter	341780 (NPT) / 341781 (BSPP)	1

Product instruction sheets and technical data can be viewed on our website at canada.dixonvalve.com.

Fuel Tanker Overfill Detection

FT208 - 39xP Series Plug-n-Play Monitors with Integrated Dual Sockets



Overfill Detection
Replacement Parts

Product instruction sheets and technical data can be viewed on our website at canada.dixonvalve.com.

Fuel Tanker Overfill Detection

Plug-n-Play Monitors with Integrated Dual Sockets

Bill of Materials			Quantity of Components Per Unit																									
Item #	Description	Part #	FT208-390P	FT208-390PG	FT208-390PGS	FT208-390PGSO	FT208-390PGST	FT208-390PGSTO	FT208-390PGT	FT208-390PP	FT208-390PPG	FT208-390PPGS	FT208-390PPGSO	FT208-390PPGST	FT208-390PPGSTO	FT208-390PPGT	FT208-391P	FT208-391PG	FT208-391PGS	FT208-391PGST	FT208-391PGT	FT208-391PP	FT208-391PPG	FT208-391PPGS	FT208-391PPGSO	FT208-391PPGST	FT208-391PPGT	
1	stainless steel screw	10086	16	16	16	16	16	16	16	16	16	16	16	16	16	16	16	16	16	16	16	16	16	16	16	16	16	16
2	aluminum name plate - socket washer	use kit FT320 or FT321	2	2	2	2	2	2	2	2	2	2	2	2	2	2	2	2	2	2	2	2	2	2	2	2	2	2
3	aluminum washer 2.500 x .0625	use kit FT320 or FT321	2	2	2	2	2	2	2	2	2	2	2	2	2	2	2	2	2	2	2	2	2	2	2	2	2	2
4	stainless steel spacer	10089	2	2	2	2	2	2	2	2	2	2	2	2	2	2	2	2	2	2	2	2	2	2	2	2	2	2
5	aluminum rivet .1875	use kit FT320 or FT321	2	2	2	2	2	2	2	2	2	2	2	2	2	2	2	2	2	2	2	2	2	2	2	2	2	2
6	stainless steel cable - socket 8"	use kit FT320 or FT321	2	2	2	2	2	2	2	2	2	2	2	2	2	2	2	2	2	2	2	2	2	2	2	2	2	2
7	stainless steel screw - contact block	10094	2	2	2	2	2	2	2	2	2	2	2	2	2	2	2	2	2	2	2	2	2	2	2	2	2	2
8	vinyl dust cap - thermistor (green)	use kit FT321	1	1	1	1	1	1	1	1	1	1	1	1	1	1	1	1	1	1	1	1	1	1	1	1	1	1
9	vinyl dust cap - optic (blue)	use kit FT320	1	1	1	1	1	1	1	1	1	1	1	1	1	1	1	1	1	1	1	1	1	1	1	1	1	1
10	polypropylene pipe plug	10103	4	4	4	4	4	4	4	3	3	3	3	3	3	3	4	4	4	4	4	4	3	3	3	3	3	3
11	stainless steel screw	10110	4	4	4	4	4	4	4	4	4	4	4	4	4	4	4	4	4	4	4	4	4	4	4	4	4	4
12	stainless steel lock washer	10111	4	4	4	4	4	4	4	4	4	4	4	4	4	4	4	4	4	4	4	4	4	4	4	4	4	4
13	polyamide strain relief	10139	n/a	n/a	n/a	1	n/a	1	n/a	n/a	n/a	n/a	1	n/a	1	n/a	n/a	n/a	n/a	n/a	n/a	n/a	n/a	n/a	n/a	n/a	n/a	n/a
14	reset switch assembly	10200A	1	1	1	1	1	1	1	1	1	1	1	1	1	1	1	1	1	1	1	1	1	1	1	1	1	1
15	ground wire assembly	10735-002	n/a	1	1	1	1	1	1	n/a	1	1	n/a	1	1	1	n/a	1	1	1	1	1	n/a	1	1	1	1	1
16	ground wire assembly	10735-002	n/a	1	1	1	1	1	1	n/a	1	1	n/a	1	1	1	n/a	1	1	1	1	1	n/a	1	1	1	1	1
17	ground wire assembly	10735-002	n/a	1	1	1	1	1	1	n/a	1	1	n/a	1	1	1	n/a	1	1	1	1	1	n/a	1	1	1	1	1
18	plastic contact block - socket short	10254	2	2	2	2	2	2	2	2	2	2	2	2	2	2	2	2	2	2	2	2	2	2	2	2	2	2
19	stainless steel ring 4 J-slot	10366SS-001 (was FT9044)	1	1	1	1	1	1	1	1	1	1	1	1	1	1	1	2	2	2	2	2	2	2	2	2	2	2
20	stainless steel ring 3 J-slot	10366SS-002 (was FT9043)	1	1	1	1	1	1	1	1	1	1	1	1	1	1	1	n/a	n/a	n/a	n/a	n/a	n/a	n/a	n/a	n/a	n/a	n/a
21	stainless steel socket pin - short	10368SS (was FT9061)	16	16	16	16	16	16	16	16	16	16	16	16	16	16	16	16	16	16	16	16	16	16	16	16	16	16
22	ground wire assembly	10735-002	n/a	1	1	1	1	1	1	n/a	1	1	n/a	1	1	1	n/a	1	1	1	1	1	n/a	1	1	1	1	1
23	Trailer Identification Module	10372	n/a	n/a	n/a	n/a	1	1	1	n/a	n/a	n/a	n/a	1	1	1	n/a	n/a	n/a	1	1	n/a	n/a	n/a	1	1	1	1
24	aluminum name plate - thermistor	10373AL	1	1	1	1	1	1	1	1	1	1	1	1	1	1	1	1	1	1	1	1	1	1	1	1	1	1
25	aluminum name plate - optic	10374AL	1	1	1	1	1	1	1	1	1	1	1	1	1	1	1	1	1	1	1	1	1	1	1	1	1	1
26	stainless steel lock washer	10375SS	24	24	24	24	24	24	24	24	24	24	24	24	24	24	24	24	24	24	24	24	24	24	24	24	24	24
27	stainless steel screw	10376SS	8	8	8	8	8	8	8	8	8	8	8	8	8	8	8	8	8	8	8	8	8	8	8	8	8	8
28	stainless steel washer	10382SS	2	2	2	2	2	2	2	2	2	2	2	2	2	2	2	2	2	2	2	2	2	2	2	2	2	2
29	neoprene gasket	10432NP (was FT9045)	1	1	1	1	1	1	1	1	1	1	1	1	1	1	1	1	1	1	1	1	1	1	1	1	1	1
30	acrylic bezel	10433PL	1	1	1	1	1	1	1	1	1	1	1	1	1	1	1	1	1	1	1	1	1	1	1	1	1	1
31	stainless steel screw	10436SS	16	16	16	16	16	16	16	16	16	16	16	16	16	16	16	16	16	16	16	16	16	16	16	16	16	16
32	stainless steel screw - sems	10437SS	4	4	4	4	4	4	4	4	4	4	4	4	4	4	4	4	4	4	4	4	4	4	4	4	4	4
33	chrome mylar label	10438A	1	1	1	1	1	1	1	1	1	1	1	1	1	1	1	1	1	1	1	1	1	1	1	1	1	1
34	programming board assembly	10459 (was FT9035)	1	1	1	1	1	1	1	1	1	1	1	1	1	1	1	1	1	1	1	1	1	1	1	1	1	1
35	potted OBM	10465	1	1	1	1	1	1	1	1	1	1	1	1	1	1	1	1	1	1	1	1	1	1	1	1	1	1
36	fuse holder assembly	10596PLAC	1	1	1	1	1	1	1	1	1	1	1	1	1	1	1	1	1	1	1	1	1	1	1	1	1	1
37	cork gasket - lid	10597CK	1	1	1	1	1	1	1	1	1	1	1	1	1	1	1	1	1	1	1	1	1	1	1	1	1	1
38	aluminum faceplate	10598AL	1	1	1	1	1	1	1	1	1	1	1	1	1	1	1	1	1	1	1	1	1	1	1	1	1	1
39	aluminum frame	10599AL	1	1	1	1	1	1	1	1	1	1	1	1	1	1	1	1	1	1	1	1	1	1	1	1	1	1
40	aluminum housing	10600AL	1	1	1	1	1	1	1	1	1	1	1	1	1	1	1	1	1	1	1	1	1	1	1	1	1	1
41	glass fuse .5 amp	10601	1	1	1	1	1	1	1	1	1	1	1	1	1	1	1	1	1	1	1	1	1	1	1	1	1	1
42	brass pressure switch	10602BR	n/a	n/a	1	1	1	1	n/a	n/a	n/a	1	1	1	1	n/a	n/a	n/a	1	1	n/a	n/a	1	1	1	1	n/a	n/a
43	brass dot air brake swivel fitting	10603BR	n/a	n/a	1	1	1	1	n/a	n/a	n/a	1	1	1	1	n/a	n/a	n/a	1	1	n/a	n/a	1	1	1	1	n/a	n/a
44	power wire Plug-n-Play	10612	n/a	n/a	n/a	1	n/a	1	n/a	n/a	n/a	n/a	1	n/a	1	n/a	n/a	n/a	n/a	n/a	n/a	n/a	n/a	n/a	n/a	n/a	n/a	n/a
45	OBM plug elbow assy (Plug-n-Play)	10616PLBN	1	1	1	1	1	1	1	2	2	2	2	2	2	2	1	1	1	1	1	1	2	2	2	2	2	2
46	aluminum label - ground bolt	10621AL	1	1	1	1	1	1	1	1	1	1	1	1	1	1	1	1	1	1	1	1	1	1	1	1	1	1
47	plastic black button insert	BLACK BUTTON INSERT	6	6	6	6	6	6	6	6	6	6	6	6	6	6	6	6	6	6	6	6	6	6	6	6	6	6
48	jumper cross connector	10196	1	1	n/a	n/a	n/a	n/a	1	1	1	n/a	n/a	n/a	n/a	1	1	1	n/a	n/a	1	1	1	n/a	n/a	1	1	1
49	acetel plug	10606AC-002	1	1	n/a	n/a	n/a	n/a	1	1	1	n/a	n/a	n/a	n/a	1	1	1	n/a	n/a	1	1	1	n/a	n/a	1	1	1

Overfill Detection Replacement Parts

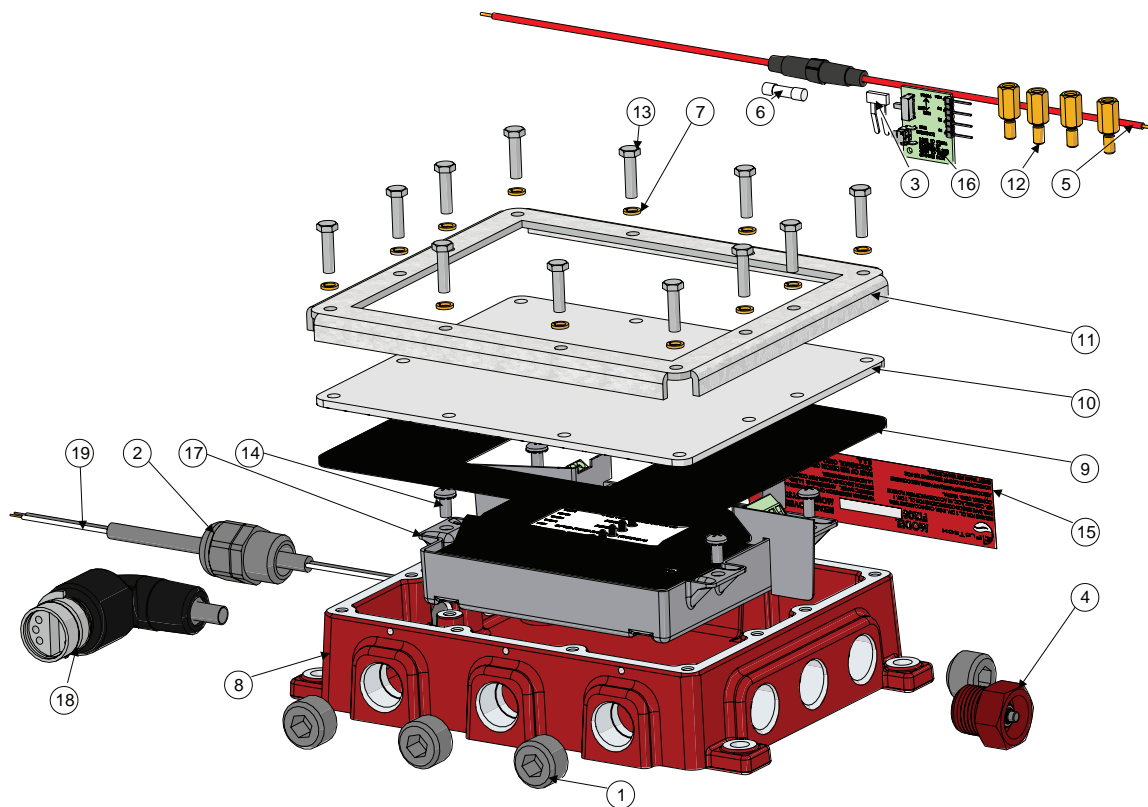
Repair Kits

Part #	Description	Includes Item #
FT320	blue (optic) vinyl cap assembly	2, 3, 5, 6, 9
FT321	green (thermistor) vinyl cap assembly	2, 3, 5, 6, 8
FT9051	contact assembly for FT390/393 optic 6 pin	1, 7, 18, 21
FT9052	contact assembly for FT390/393 thermistor 10 pin	1, 7, 18, 21
FT9062	nose ring contact assbly, thermistor 4 J-slot, 10 pin	1, 7, 18, 19, 21
FT9063	nose ring contact assembly, optic 3 J-slot, 6 pin	1, 7, 18, 20, 21
FT9068	contact block attachment screws and washers (4 ea)	26, 27

Product instruction sheets and technical data can be viewed on our website at canada.dixonvalve.com.

Fuel Tanker Overfill Detection

FT 208P Series Plug-n-Play Stand Alone Monitors



Bill of Materials

Item #	Description	Part #	FT208P	FT208PP	FT208PPC
1	polypropylene pipe plug	10103	6	4	3
2	polyamide strain relief	10139	1	1	2
3	jumper - cross connector	10196	1	1	1
4	reset switch assembly	10200A	1	1	1
5	plastic fuse holder	10356	1	1	1
6	brass/glass fuse - 1/2 amp	10358 (was FT9039)	1	1	1
7	stainless steel lock washer	10375SS	12	12	12
8	aluminum box	10430AL	1	1	1
9	neoprene gasket	10432NP (was FT9045)	1	1	1
10	acrylic bezel	10433PL	1	1	1
11	aluminum frame	10434AL	1	1	1
12	aluminum standoff (old style boxes)	10435AL	4	4	n/a
13	stainless steel screw	10436SS	12	12	12
14	stainless steel screw - stems	10437SS	4	4	4
15	chrome mylar label	10438A	1	1	1
16	programming board assembly	10459 (was FT9035)	1	1	1
17	potted OBM	10465	1	1	1
18	OBM plug elbow assy (Plug-n-Play)	10616PLBN	1	3	3
19	power cable	10639	1	1	n/a

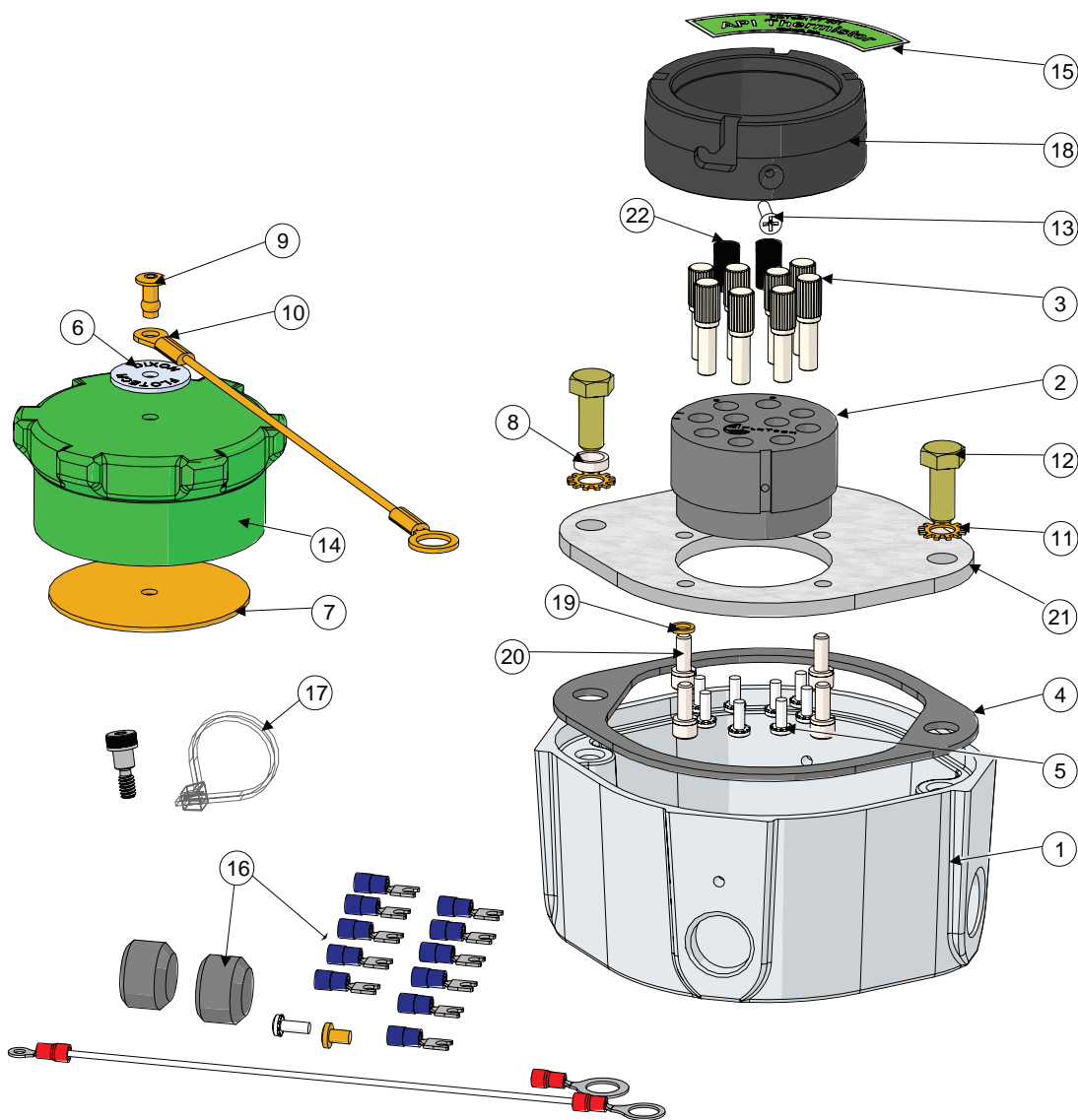
Repair Kits

Part #	Description	Includes Item #
FT9036	lid, bezel, screws and lock washers	7, 9, 10, 11, 13
FT9040	checkmate housing with lid	1, 7-14

Product instruction sheets and technical data can be viewed on our website at canada.dixonvalve.com.

Fuel Tanker Overfill Detection

Plug-n-Play Stand Alone Sockets FT300P and FT301P



Repair Kits

Part #	Description	Includes Item #
FT320	blue (optic) vinyl cap assembly	6, 7, 9, 10, 14B
FT321	green (thermistor) vinyl cap assembly	6, 7, 9, 10, 14A
FT310	face plate assembly - API optic ALH wear ring 6 pin 3 J-slot (US)	2 - 16, 18 - 22
FT310SS	face plate assembly - API optic SS GFL wear ring 6 pin 3 J-slot (US)	2 - 16, 18 - 22
FT311	face plate assembly - API Thermistor ALH wear ring 8 pin 4 J-slot (US)	2 - 22
FT311SS	face plate assembly - API Thermistor SS GFL wear ring 8 pin 4 J-slot (US)	2 - 22
FT9008	contact block for FT300 Optic	2, 3, 5, 13
FT9009	contact block for FT301 Thermistor	2, 3, 5, 13
FT9013	faceplate 4 J-slot (without contact block or hardware)	4, 15B, 18A, 19-21
FT9020	socket pin, screw and crimp lug	3, 5
FT9034	3 J-slot (without contact block and hardware)	4, 15A, 18B, 19-21
FT9046	socket contact pins and screws	3, 5
FT9068	contact block attachment screws and washers (4 each)	19, 20
0387P-OP & 10387P-TH	wiring harness (Plug-n-Play) 20'	Refer to page 134 for image
10605PL	plastic clip	Refer to page 134 for image

Product instruction sheets and technical data can be viewed on our website at canada.dixonvalve.com.

Fuel Tanker Overfill Detection

Plug-n-Play Stand Alone Sockets FT300P and FT301P

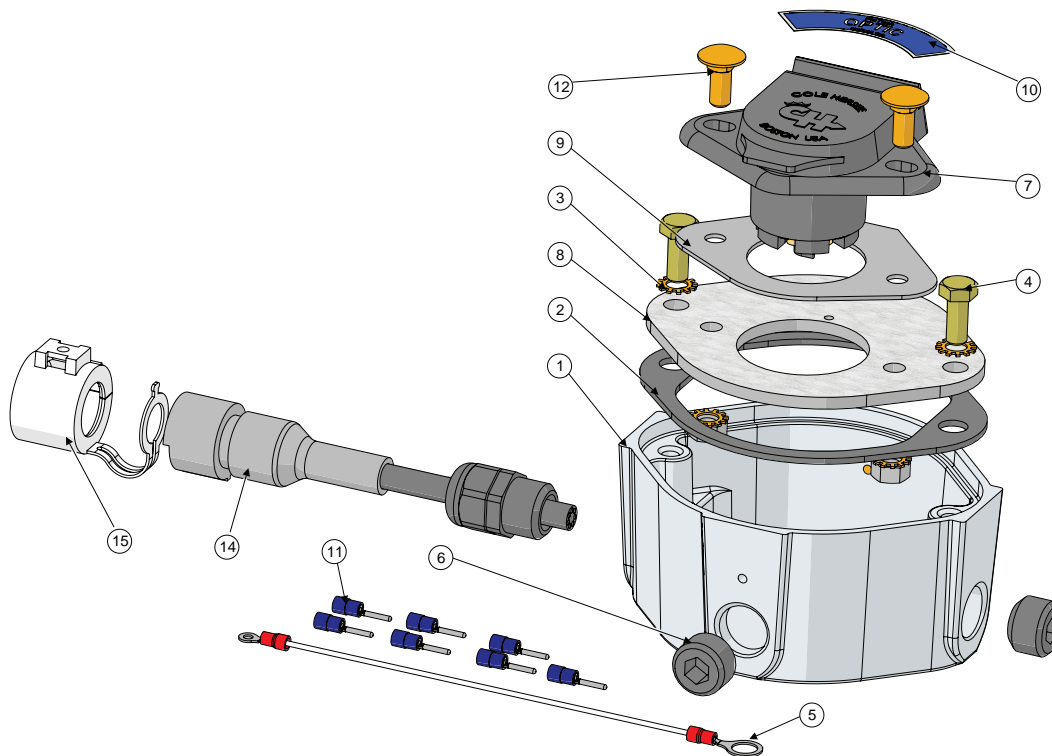
Bill of Materials

Item #	Description	Part #	FT300P	FT301P	FT310	FT310SS	FT311	FT311SS
1	aluminum housing	10031 (was FT9007)	1	1	n/a	n/a	n/a	n/a
2	plastic contact block	10690PL-001	1	1	1	1	1	1
3	stainless steel socket pin	10368SS	6	8	6	6	8	8
4	neoprene gasket	10038 (was FT9032)	1	1	1	1	1	1
5	stainless steel screw	10086	6	8	6	6	8	8
6	aluminum name plate - socket washer	Use cap kit FT320 or FT321	1	1	1	1	1	1
7	aluminum washer 2.500 x .0625	Use cap kit FT320 or FT321	1	1	1	1	1	1
8	stainless steel spacer	10089	1	1	1	1	1	1
9	aluminum rivet .1875	Use cap kit FT320 or FT321	1	1	1	1	1	1
10	stainless steel cable - socket 8"	Use cap kit FT320 or FT321	1	1	1	1	1	1
11	stainless steel lock washer	10092	2	2	2	2	2	2
12	stainless steel screw	10093	2	2	2	2	2	2
13	stainless steel screw - contact block	10094	1	1	1	1	1	1
14A	vinyl dust cap - thermistor (green)	Use cap kit FT321	n/a	1	n/a	n/a	1	1
14B	vinyl dust cap - optic (blue)	Use cap kit FT320	1	n/a	1	1	n/a	n/a
15A	aluminum name plate - FT300	10099	1	n/a	1	1	n/a	n/a
15B	aluminum name plate - FT301	10100	n/a	1	n/a	n/a	1	1
16	assembly hardware	10106	1	1	1	1	1	1
17	nylon clamp assembly	10264	n/a	1	n/a	n/a	1	1
18A	ALH wear ring - 4 J-slot	10366HC-001 (was FT9042)	n/a	1	n/a	n/a	1	n/a
18B	ALH wear ring - 3 J-slot	10366HC-002 (was FT9041)	1	n/a	1	n/a	n/a	n/a
18C	stainless steel wear ring - 4 J-slot	10366SS-001 (was FT9044)	n/a	n/a	n/a	n/a	n/a	1
18D	stainless steel wear ring - 3 J-slot	10366SS-002 (was FT9043)	n/a	n/a	n/a	1	n/a	n/a
19	stainless steel lock washer	10375SS	4	4	4	4	4	4
20	stainless steel screw	10376SS	4	4	4	4	4	4
21	aluminum socket plate	10431AL	1	1	1	1	1	1
22	plastic black button insert	BLACK BUTTON INSERT	6	6	6	6	6	6
23	wiring harness (Plug-n-Play) 20'	10387P-20	1	1	n/a	n/a	n/a	n/a
24	plastic clip	10605PL	1	1	n/a	n/a	n/a	n/a

Product instruction sheets and technical data can be viewed on our website at canada.dixonvalve.com.

Fuel Tanker Overfill Detection

Plug-n-Play Stand Alone Sockets FT306P-5



Bill of Materials

Item #	Description	Part #	FT208P	FT208PPC
1	aluminum housing	10031 (was FT9007)	1	n/a
2	neoprene gasket	10038 (was FT9032)	1	1
3	stainless steel lock washer	10092	4	4
4	stainless steel screw	10093	2	2
5	wire, assembly, socket	10095	1	1
6	polypropylene pipe plug	10103	2	2
7	J560 type socket	10119 (was FT9029)	1	1
8	aluminum face plate	10120	1	1
9	neoprene gasket	10121	1	1
10	aluminum name plate - optic	10235	1	1
11	terminal pin	10123	7	7
12	stainless steel carriage bolt	10507SS	2	2
13	stainless steel nut	10508SS	2	2
14	wiring harness (Plug-n-Play) 20'	10387P-20	1	n/a
15	plastic clip	10605PL	1	n/a

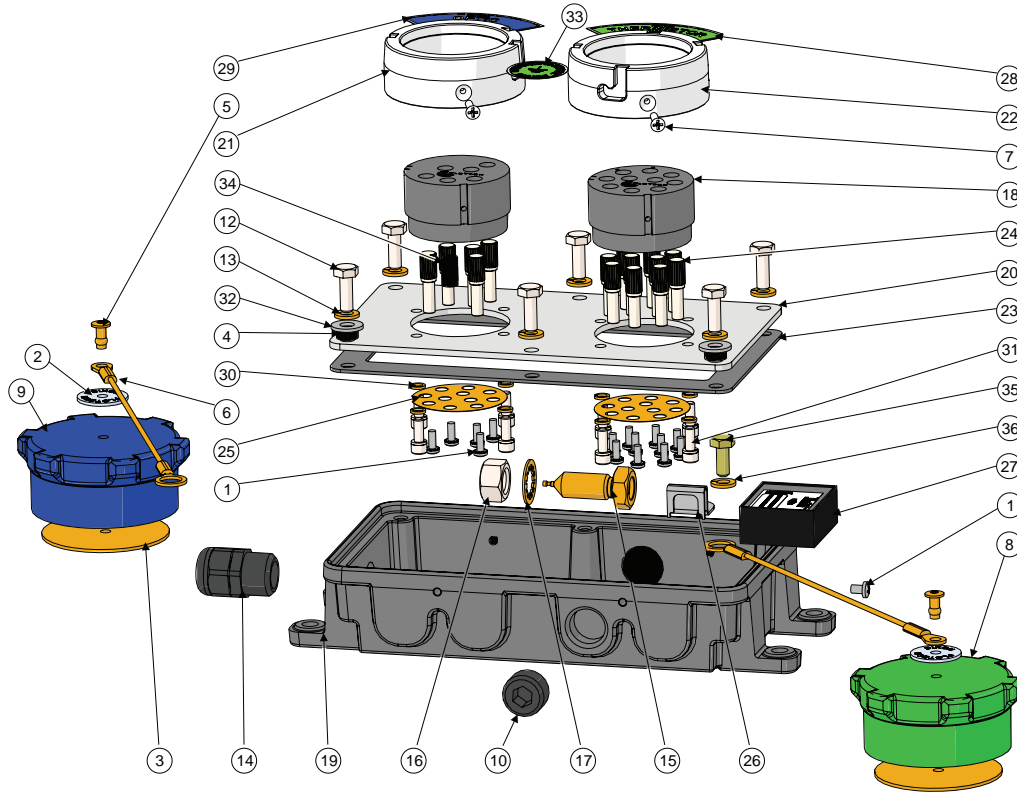
Repair Kit

Part #	Description	Includes Item #
FT316	face plate assembly - Optic J560 socket	2 - 13

Product instruction sheets and technical data can be viewed on our website at canada.dixonvalve.com.

Fuel Tanker Overfill Detection

Plug-n-Play Stand Alone Sockets FT390PG-20



Bill of Materials

Item #	Description	Part #	Qty
1	stainless steel screw	10086	16
2	aluminum name plate - socket washer	use kit FT320 or FT321	2
3	aluminum washer 2.500 x .0625	use kit FT320 or FT321	2
4	stainless steel spacer	10089	2
5	aluminum rivet .1875	use kit FT320 or FT321	2
6	stainless steel cable - socket 8"	use kit FT320 or FT321	2
7	stainless steel screw - contact block	10094	2
8	vinyl dust cap - green	use kit FT321	1
9	vinyl dust cap - blue	use kit FT320	1
10	polypropylene pipe plug	10103	2
11	steel screw - plug	10105	3
12	stainless steel screw	10110	6
13	stainless steel lock washer - 1/4"	10111	7
14	stainless steel ground bolt	10223	1
15	stainless steel nut - ground bolt 1/2"-13	10224	1
16	stainless steel lock washer internal tooth	10225	1
17	plastic contact block - socket short	10254	2
18	aluminum box - dual socket	10364AL-001	1
19	aluminum faceplate - dual socket	10365AL	1
20	stainless steel socket - thermistor	10366SS-001	1
21	stainless steel socket - optic	10366SS-002	1
22	cork gasket - lid	10367CK	1
23	stainless steel socket pin - short	10368SS (was FT9061)	16
24	vinyl label - socket contact	10369VY	2
25	stainless steel bracket - ground bolt	10370SS	1

Item #	Description	Part #	Qty
26	aluminum name plate - thermistor	10373AL	1
27	aluminum name plate - optic	10374AL	1
28	stainless steel lock washer	10375SS	8
29	stainless steel screw	10376SS	8
30	stainless steel screw	10377SS	1
31	stainless steel washer	10382SS	2
32	wiring harness (Plug-n-Play) 20'	10387P-20	1
33	plastic clip	10605PL	1
34	aluminum label - ground bolt	10621AL	1
35	plastic black button insert	BLACKBUTTON INSERT	6

Repair Kits

Part #	Description	Includes Item #
FT320	blue (optic) vinyl cap assembly	2, 3, 5, 6, 9
FT321	green (thermistor) vinyl cap assembly	2, 3, 5, 6, 8
FT9051	contact block assembly for FT390/FT393 Optic 6 pin	1, 7, 17, 23, 24
FT9052	contact block assembly for FT390/FT393 Thermistor 10 pin	1, 7, 17, 23, 24
FT9062	nose ring, contact assembly, Thermistor 4 J-slot, 10 pin	1, 7, 17, 20, 23, 24
FT9063	nose ring, contact assembly, Optic 3 J-slot, 6 pin	1, 7, 17, 21, 23, 24
FT9068	contact block attachment screws and washers (4 each)	28, 29

Product instruction sheets and technical data can be viewed on our website at canada.dixonvalve.com

Fuel Tanker Overfill Detection

Plug-n-Play Stand Alone Sockets FT394P and FT395P Series

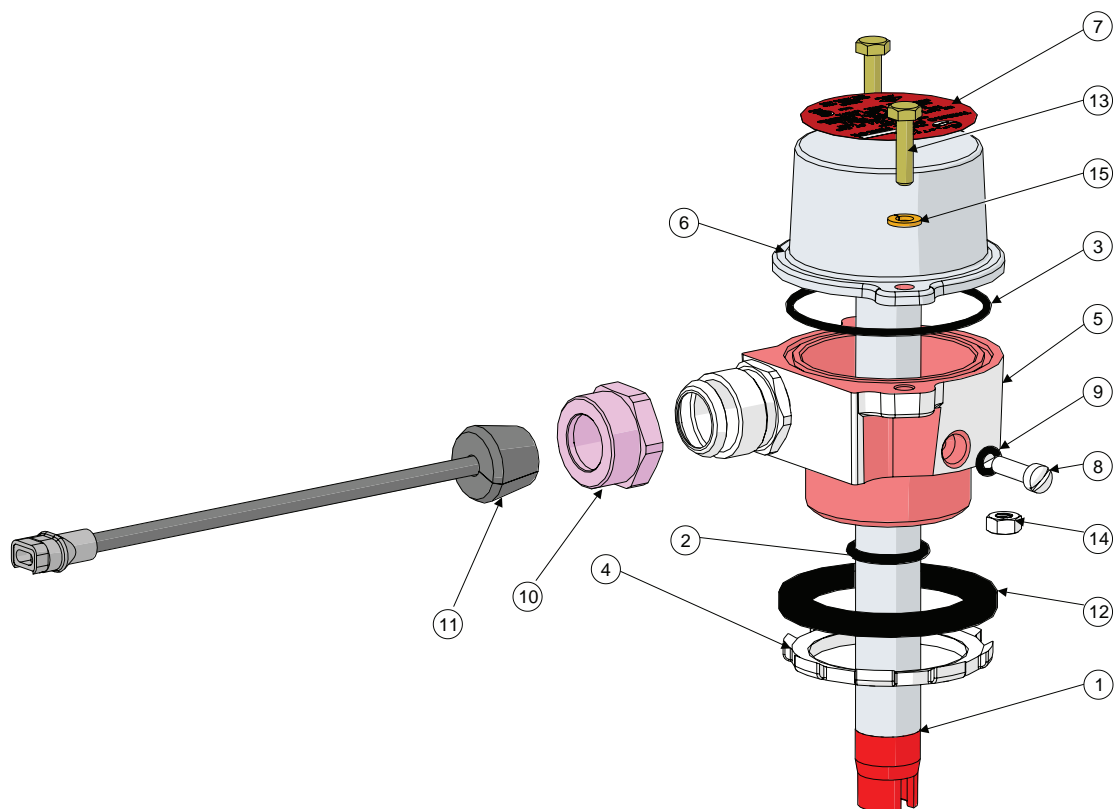
Bill of Materials

Item #	Description	Part #	FT394P	FT394VP	FT394PG	FT394VPG	FT395PG-20
1	stainless steel screw	10086	16	16	16	16	16
2	aluminum name plate - socket washer	10087	2	2	2	2	2
3	aluminum washer 2.500 x .0625	use kit FT320 or FT321	2	2	2	2	2
4	stainless steel spacer	use kit FT320 or FT321	2	2	2	2	2
5	aluminum rivet .1875	use kit FT320 or FT321	2	2	2	2	2
6	stainless steel cable - socket 8"	use kit FT320 or FT321	2	2	2	2	2
7	stainless steel lock washer	10092	2	2	2	2	2
8	stainless steel screw - contact block	10094	2	2	2	2	2
9	vinyl dust cap - thermistor (green)	use kit FT321	1	1	1	1	1
10	vinyl dust cap - optic (blue)	use kit FT320	1	1	1	1	1
11	polypropylene pipe plug	10103	2	2	2	2	2
12	steel screw - plug	10105	4	4	4	4	4
13	stainless steel screw	10110	8	8	8	8	8
14	stainless steel lock washer - ¼"	10111	9	9	9	9	9
15	J560 socket	10119 (was FT9029)	1	1	1	1	1
16	neoprene gasket, float socket	10121	2	2	2	2	2
17	polyamide strain relief	10139	1	1	1	1	1
18	stainless steel ground bolt	10223	N/A	N/A	1	1	N/A
19	stainless steel nut - ground bolt ½"- 13	10224	N/A	N/A	1	1	N/A
20	stainless steel lock washer internal tooth	10225	N/A	N/A	1	1	N/A
21	plastic contact block - socket short	10254	2	2	2	2	2
22	stainless steel wear ring - 4 J-slot	10366SS-001 (was FT9044)	1	1	1	1	2
23	stainless steel wear ring - 3 J-slot	10366SS-002 (was FT9043)	1	1	1	1	n/a
24	stainless steel socket pin - short	10368SS (was FT9061)	16	16	16	16	16
25	vinyl label - socket contact	10369VY	2	2	2	2	2
26	stainless steel bracket - ground bolt	10370SS	1	1	1	1	1
27	aluminum name plate - thermistor	10373AL	1	1	1	1	1
28	aluminum name plate - optic	10374AL	1	1	1	1	1
29	stainless steel lock washer	10375SS	8	8	8	8	8
30	stainless steel screw	10376SS	8	8	8	8	8
31	stainless steel screw	10377SS	1	1	1	1	1
32	stainless steel washer	10382SS	2	2	2	2	2
33	stainless steel nut	10508SS	2	2	2	2	2
34	aluminum box - 3 socket	10525AL	1	1	1	1	1
35	aluminum faceplate - 3 socket	10526AL	1	1	1	1	1
36	cork gasket - lid	10527CK	1	1	1	1	1
37	acetal spacer	10529AC	1	1	1	1	1
38	stainless steel carriage bolt	10530SS	2	2	2	2	2
39	aluminum name plate - optic (blue)	10558AL	1	1	1	1	1
40	aluminum label - ground bolt	10621AL	N/A	N/A	1	1	N/A
41	plastic black button insert	BLACK BUTTON INSERT	6	6	6	6	6
42	wiring harness (Plug-n-Play) 20'	10387P-20	1	1	1	1	1
43	plastic clip	10605PL	1	1	1	1	1

Product instruction sheets and technical data can be viewed on our website at canada.dixonvalve.com.

Fuel Tanker Overfill Detection

Plug-n-Play Sensors FT151P Series Overfill Sensor Housings



Bill of Materials

Item #	Description	Part #	Qty
1	assembly sensor, Thermistor-Optic	10109-PP	1
2	O-ring	10125	1
3	O-ring	10126	1
4	lock nut	10128	1
5	sensor housing	10183-PandP	1
6	sensor housing cap	10185	1
7	label	10204	1
8	screw with nylon insert	10212	1
9	O-ring	10213	1
10	cord grip assembly	10248	1
11	bushing	10638	1
12	gasket	40090BN	1
13	screw	10841SS	2
14	nut	10124	2
15	lock washer - 1/4"	10111	2

Repair Kits

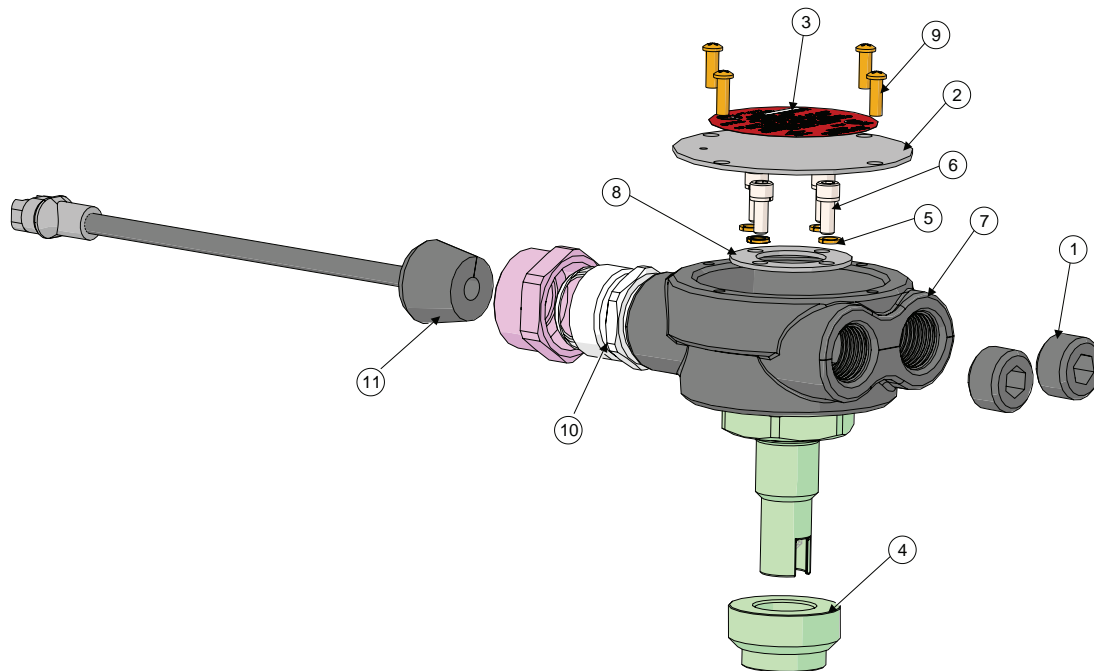
Part #	Description	Includes Item #
FT150P	Plug-n-Play overfill detection probe. - 7"	1
FT150-12P	Plug-n-Play overfill detection probe. - 12"	1
FT150-18P	Plug-n-Play overfill detection probe. - 18"	1
FT9000P	complete Plug-n-Play sensor housing (without probe)	2-14
FT9001	sensor housing gasket and O-ring kit	5, 6, 7, 13
FT9011	sensor housing cap with screws and lock washers	3, 9, 13, 14

Overfill Detection Replacement Parts

Product instruction sheets and technical data can be viewed on our website at canada.dixonvalve.com.

Fuel Tanker Overfill Detection

Plug-n-Play Sensors FT152P Retain Sensor Housings



Bill of Materials

Item #	Description	Part #	Qty
1	polypropylene pipe plug	10103	2
2	aluminum retain sensor lid	10134	1
3	mylar label - retain sensor	10343	1
4	aluminum threaded collar	10347 (was FT9050)	1
5	stainless steel lock washer	10375SS	4
6	stainless steel screw	10376SS	4
7	nylon retain sensor housing	10471NY-PandP	1
8	aluminum back-up plate	10476AL	1
9	stainless steel screw	10477SS	4
10	aluminum cord grip assembly	10248	1
11	rubber bushing	10638	1

Repair Kit

Part #	Description	Includes Item #
FT9068	contact block attachment screws and washers (4 each)	5,6

Note: The probe is not replaceable. If the probe needs replacing, a complete FT152P needs to be ordered.

Product instruction sheets and technical data can be viewed on our website at canada.dixonvalve.com.

Fuel Tanker Overfill Detection

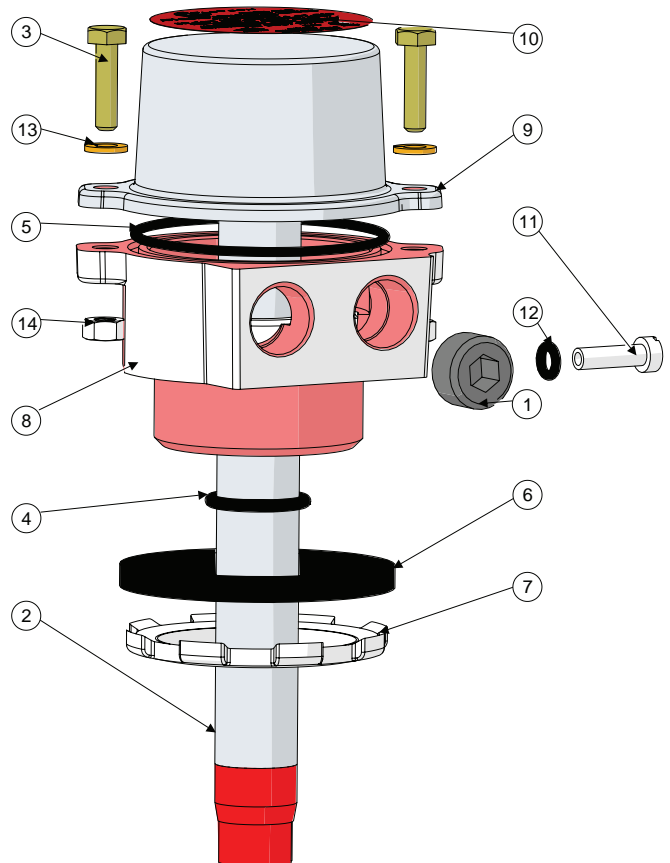
FT101, FT151 and FT202 Series Overfill Sensor Housings

Bill of Materials

Item #	Description	Part #	Qty
1	pipe plug	10103	1
2	assembly, sensor 5 wire	10107A	1
3	screw	10841SS	2
4	O-ring	10125	1
5	O-ring	10126	1
6	gasket	40090BN	1
7	lock nut	10128	1
8	sensor housing	10183	1
9	sensor housing cap	10185	1
10	label - retain sensor	10203	1
11	screw with nylon insert	10212	1
12	O-ring	10213	1
13	lock washer - 1/4"	10111	2
14	nut	10124	2

Repair Kits

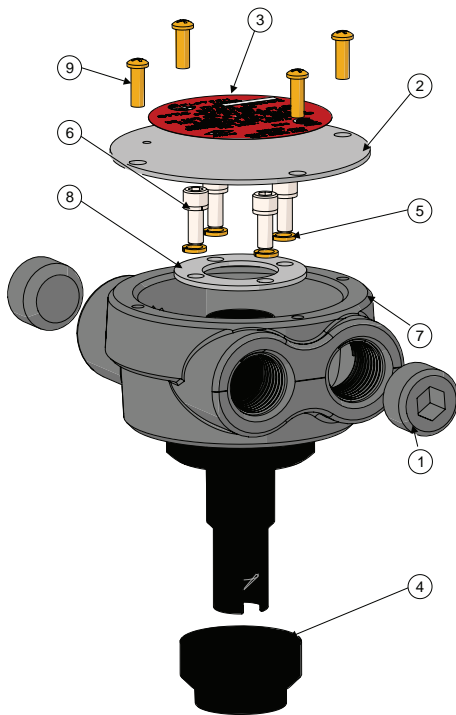
Part #	Description	Includes Item #
FT100	5 wire overfill detection probe, 7"	2
FT100-12	5 wire overfill detection probe, 12"	2
FT100-18	5 wire overfill detection probe, 18"	2
FT150	black and white 2 wire overfill detection probe, 7"	2
FT150-12	black and white 2 wire overfill detection probe, 12"	2
FT150-18	black and white 2 wire overfill detection probe, 18"	2
FT201	red and black 2 wire overfill detection probe, 7"	2
FT201-12	red and black 2 wire overfill detection probe, 12"	2
FT201-18	red and black 2 wire overfill detection probe, 18"	2
FT9000	complete sensor housing (without probe)	1, 3-13
FT9001	sensor housing gasket and O-ring kit	5-7, 13
FT9002	sensor housing gasket, O-ring and hardware kit	1, 3-8, 12, 13
FT9011	sensor housing cap with screws and lock washers	3, 9, 13, 14



Product instruction sheets and technical data can be viewed on our website at canada.dixonvalve.com.

Fuel Tanker Overfill Detection

FT152 and FT206 Retain Sensor Housings



Bill of Materials

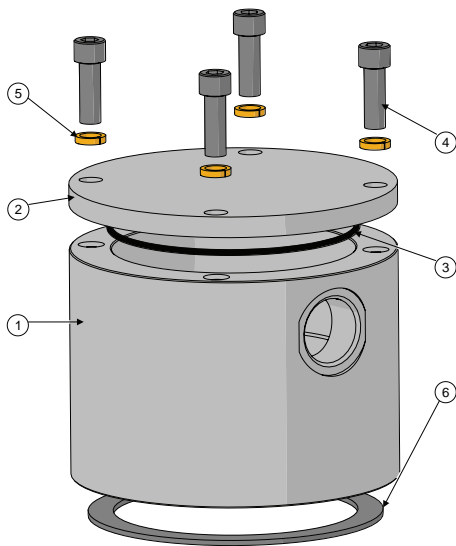
Item #	Description	Part #	Qty
1	polypropylene pipe plug	10103	2
2	aluminum retain sensor lid	10134	1
3	mylar label - retain sensor	10343	1
4	aluminum threaded collar	10347 (was FT9050)	1
5	stainless steel lock washer	10375SS	4
6	stainless steel screw	10376SS	4
7	nylon retain sensor housing	10471NY	1
8	aluminum back-up plate	10476AL	1
9	stainless steel screw	10477SS	4

Repair Kits

Part #	Description	Includes Item #
FT9055	hardware kit	2, 3
FT9068	contact block attachment screws and washers (4 each)	5, 6

Note: The probe is not replaceable.

FT191S Overfill Sensor Housings



Bill of Materials

Item #	Description	Part #	Qty
1	3" stainless steel NPSM housing	10540SS	1
2	aluminum housing lid	10541AL	1
3	Buna-N O-ring	10542BN	1
4	stainless steel screw	10554SS	4
5	stainless steel lock washer	40099SS	4
6	PTFE gasket	40190TF	1

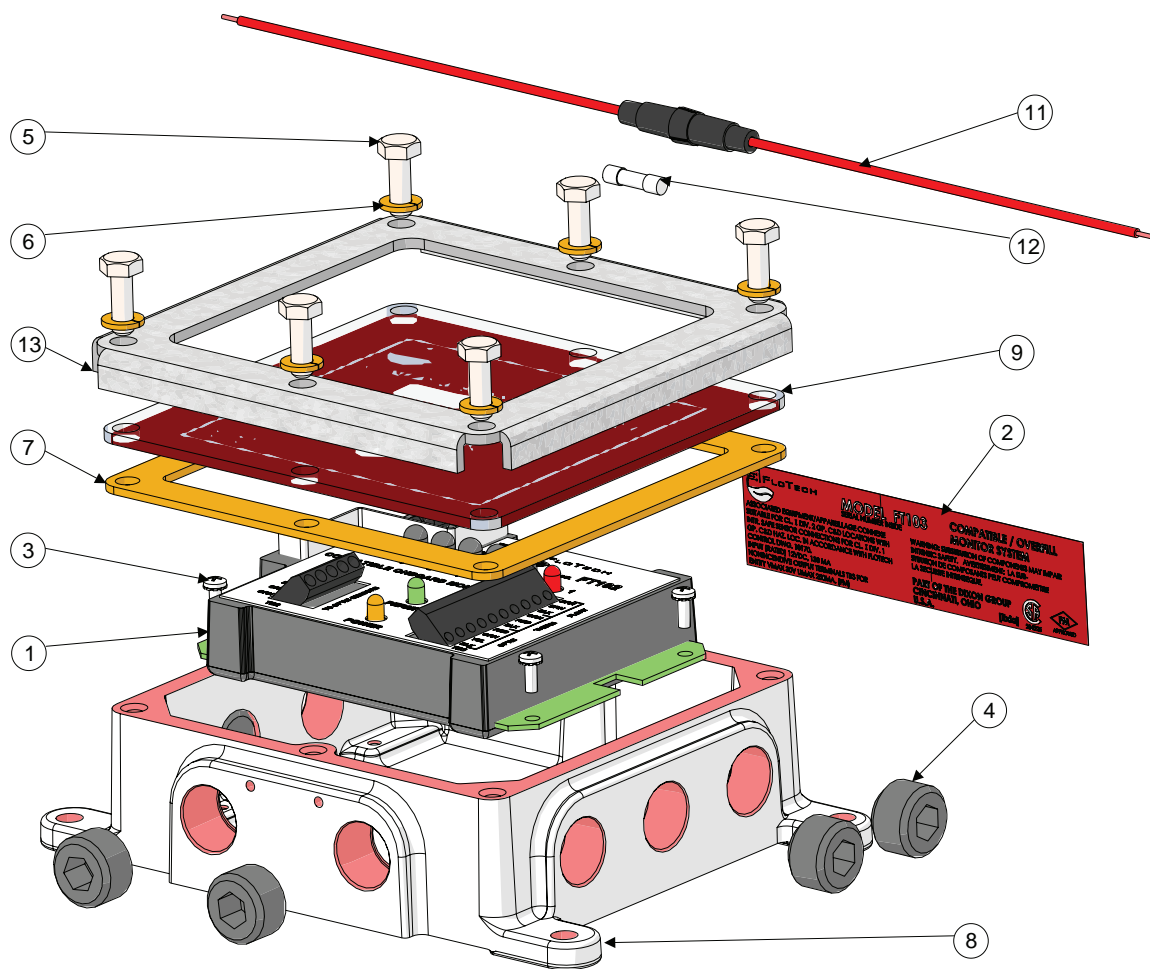
Stainless Steel Probes

Part #	Description
FT100S	5 wire overfill detection, 316 stainless steel probe only, 7"
FT150S	black and white 2 wire overfill detection, 316 stainless steel probe only, 7"

Product instruction sheets and technical data can be viewed on our website at canada.dixonvalve.com.

Fuel Tanker Overfill Detection

FT102/FT103 5 Wire API Optic Onboard Monitors



Bill of Materials

Item #	Description	Part #	FT102	FT103
1	5 wire onboard monitor assembly	10077	1	1
2	chrome mylar label	10079	n/a	1
3	stainless steel screw	10086	4	4
4	polypropylene pipe plug	10103	n/a	5
5	stainless steel screw	10110	6	6
6	stainless steel lock washer - 1/4"	10111	6	6
7	neoprene gasket	10131 (was FT9053)	1	1
8	aluminum onboard monitor housing	10136	n/a	1
9	acrylic bezel	10142 (was FT9005)	1	1
10	PVC L.E.D. cover	10207	5	5
11	plastic fuse holder	10356	1	1
12	brass/glass fuse - 1/4 amp	10357 (was FT9039)	1	1
13	aluminum frame lid	10470AL	1	1

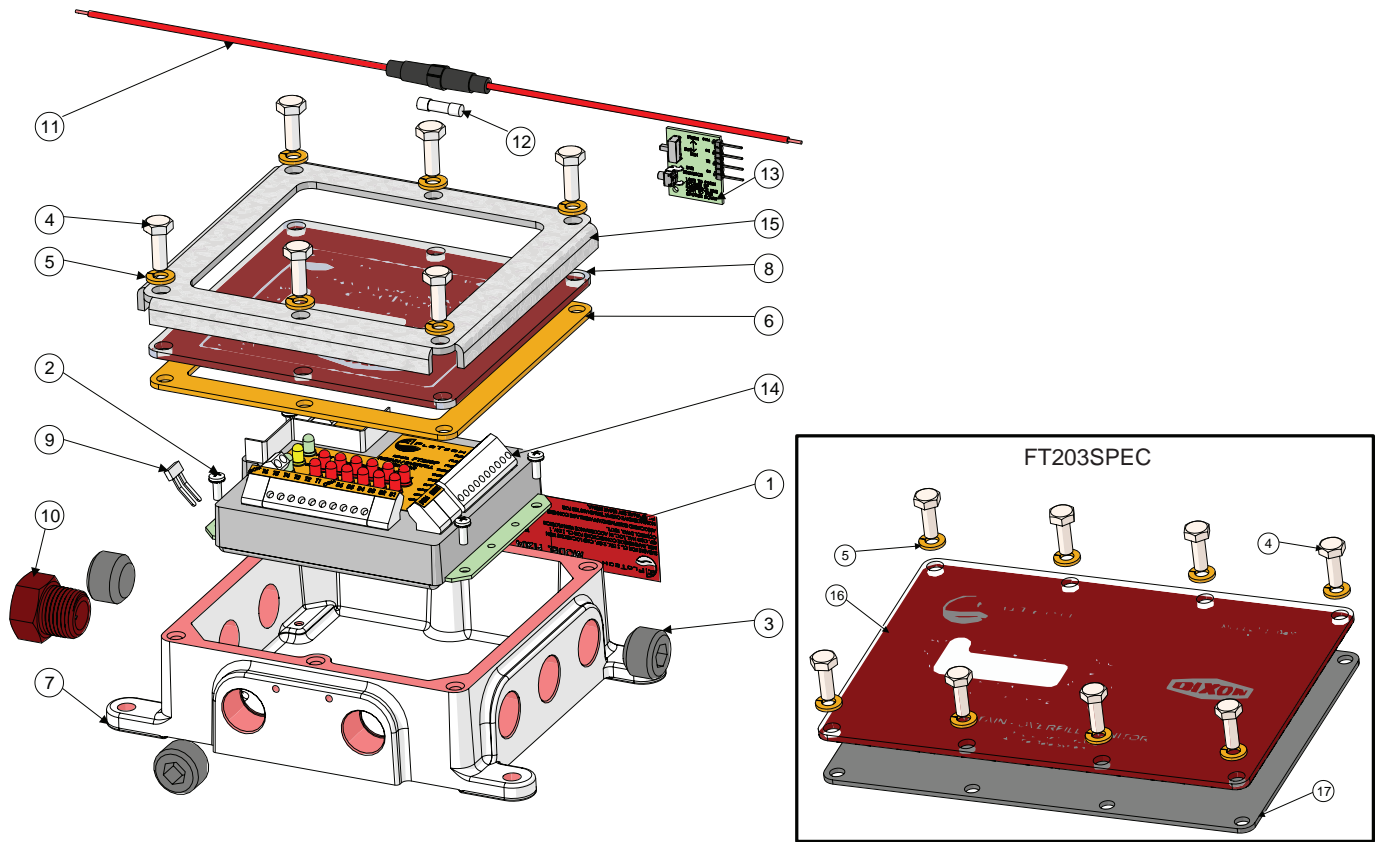
Repair Kits

Part #	Description	Includes Item #
FT9003	monitor housing	3-10, 13
FT9004	monitor hardware kit	5, 6, 7, 9, 13
FT9030	fuse holder with 1/4 amp fuse	11, 12

Product instruction sheets and technical data can be viewed on our website at canada.dixonvalve.com.

Fuel Tanker Overfill Detection

FT203/FT204 Series ROM Type Red and Black 2 Wire Onboard Monitor



Bill of Materials

Item #	Description	Part #	FT203P	FT203SPEC	FT204P
1	chrome mylar label	10078	n/a	n/a	1
2	stainless steel screw	10086	4	4	4
3	polypropylene pipe plug	10103	n/a	n/a	3
4	stainless steel screw	10110	6	8	6
5	stainless steel lock washer - 1/4"	10111	6	8	6
6	neoprene gasket	10131 (was FT9053)	1	n/a	1
7	aluminum onboard monitor housing	10136	n/a	n/a	1
8	acrylic bezel	10143 (was FT9006)	1	n/a	1
9	jumper - cross connector	10196	1	1	1
10	reset switch assembly	10200A	n/a	n/a	1
11	plastic fuse holder	10356	1	1	1
12	brass/glass fuse - 1/2 amp	10358 (was FT9039)	1	1	1
13	programming board assembly	10459 (was FT9035)	1	1	1
14	OBM assy potted	10460	1	1	1
15	aluminum frame lid	10470AL (was FT9054)	1	n/a	1
16	bezel for Civacon 3250 and 3252 boxes	10520PL	n/a	1	n/a
17	neoprene gasket for 10520PL	10521NP (was FT9065)	n/a	1	n/a

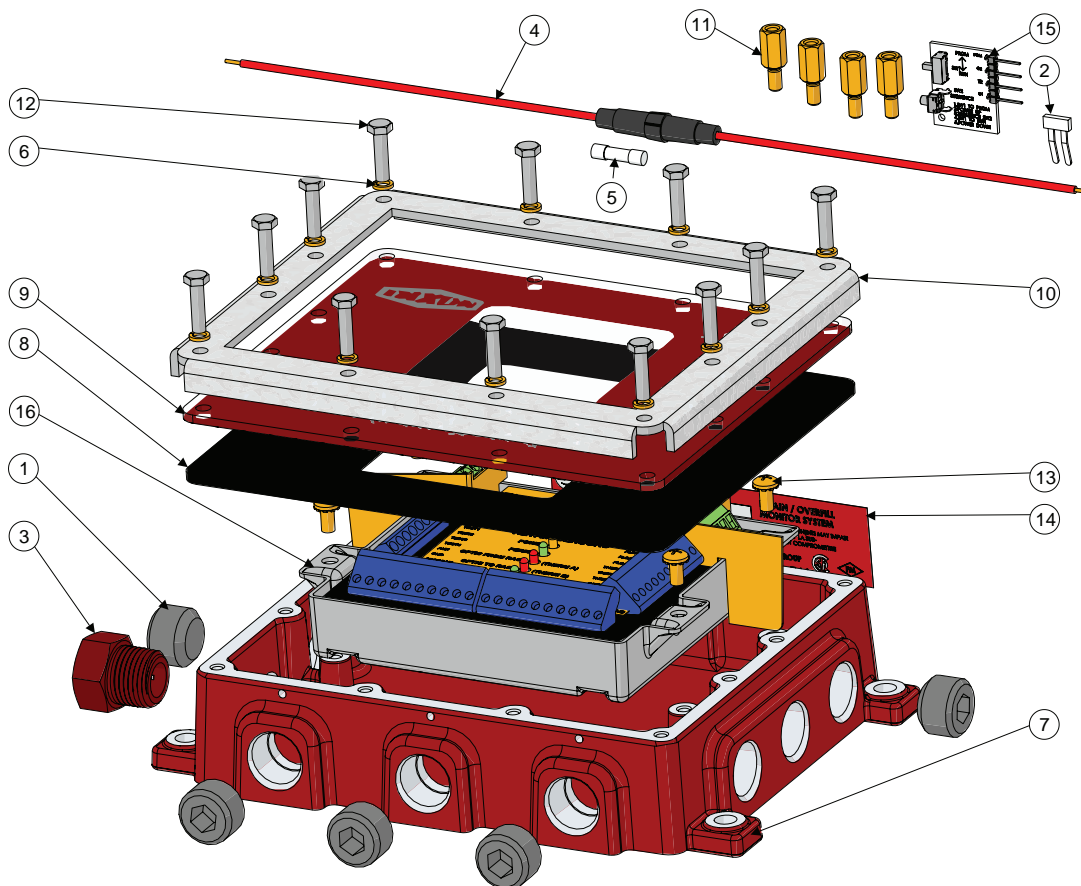
Repair Kits

Part #	Description	Includes Item #
FT9003	monitor housing	2-8, 15
FT9004	monitor hardware kit	4-6, 8, 15
FT9031	fuse holder with 1/2 amp fuse	11, 12
FT9059	face plate and bezel for FT204P	4, 5, 6, 8, 15
FT9064	gasket and bezel for FT203 SPEC	16, 17

Product instruction sheets and technical data can be viewed on our website at canada.dixonvalve.com.

Fuel Tanker Overfill Detection

FT207/FT208 Series Checkmate Black and White 2 Wire Programmable Onboard Monitor



Bill of Materials

Item #	Description	Part #	FT207	FT208
1	polypropylene pipe plug	10103	n/a	5
2	jumper - cross connector	10196	1	1
3	reset switch assembly	10200A	n/a	1
4	plastic fuse holder	10356	1	1
5	brass/glass fuse - 1/2 amp	10358 (was FT9039)	1	5
6	stainless steel lock washer	10375SS	12	12
7	aluminum box	10430AL	n/a	1
8	neoprene gasket	10432NP (was FT9045)	1	1
9	acrylic bezel	10433PL (was FT9036)	1	1
10	aluminum frame	10434AL	1	1
11	aluminum standoff (only used in older units)	10435AL	n/a	4
12	stainless steel screw	10436SS	12	12
13	stainless steel screw - stems	10437SS	4	4
14	chrome mylar label	10438A	n/a	1
15	programming board assembly	10459 (was FT9035)	1	1
16	potted OBM	10465	1	1

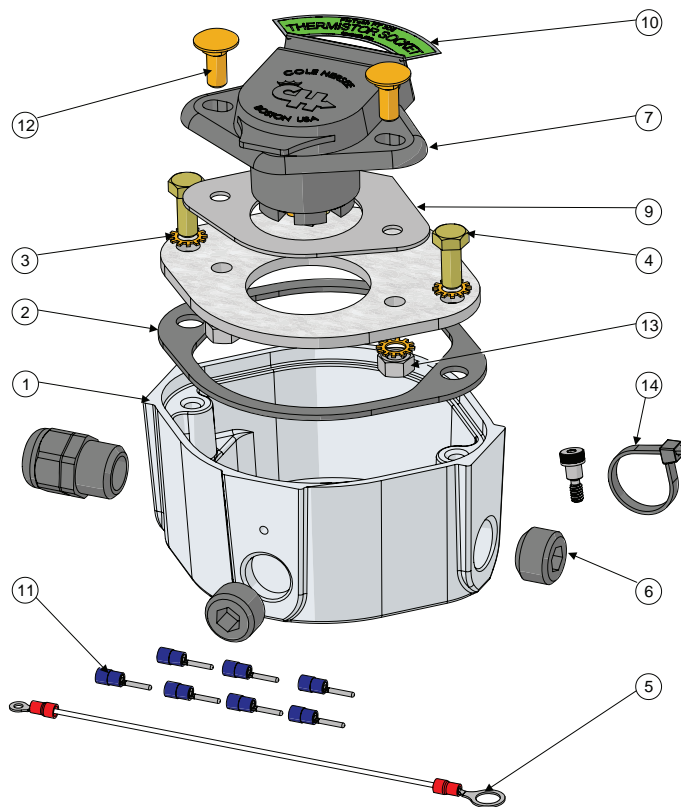
Repair Kits

Part #	Description	Includes Item #
FT9031	fuse holder with ½ amp fuse	11, 12
FT9036	lid, bezel, screws and lock washers	6, 8, 9, 10, 12
FT9040	Checkmate housing with lid	1, 6-13

Product instruction sheets and technical data can be viewed on our website at canada.dixonvalve.com.

Fuel Tanker Overfill Detection

Single J560 Sockets



Bill of Materials

Item #	Description	Part #	FT302	FT305	FT306	FT312	FT315	FT316
1	aluminum housing	10031 (was FT9007)	1	1	1	n/a	n/a	n/a
2	neoprene gasket	10038 (was FT9032)	1	1	1	1	1	1
3	stainless steel lock washer	10092	4	4	4	4	4	4
4	stainless steel screw	10093	2	2	2	2	2	2
5	wire, assembly, socket	10095	1	1	1	1	1	1
6	polypropylene pipe plug	10103	2	2	2	2	2	2
7	J560 type socket	10119 (was FT9029)	1	1	1	1	1	1
8	aluminum face plate	10120	1	1	1	1	1	1
9	neoprene gasket	10121	1	1	1	1	1	1
10A	aluminum name plate - float	10122	1	n/a	n/a	n/a	n/a	n/a
10B	aluminum name plate - optic	10235	n/a	n/a	1	n/a	1	1
10C	aluminum name plate - thermistor	10244	n/a	1	n/a	n/a	n/a	n/a
11	terminal pin	10123	7	7	7	7	7	7
12	stainless steel carriage bolt	10507SS	2	2	2	2	2	2
13	stainless steel nut	10508SS	2	2	2	2	2	2
14	nylon clamp assembly	10264	n/a	1	n/a	n/a	1	n/a

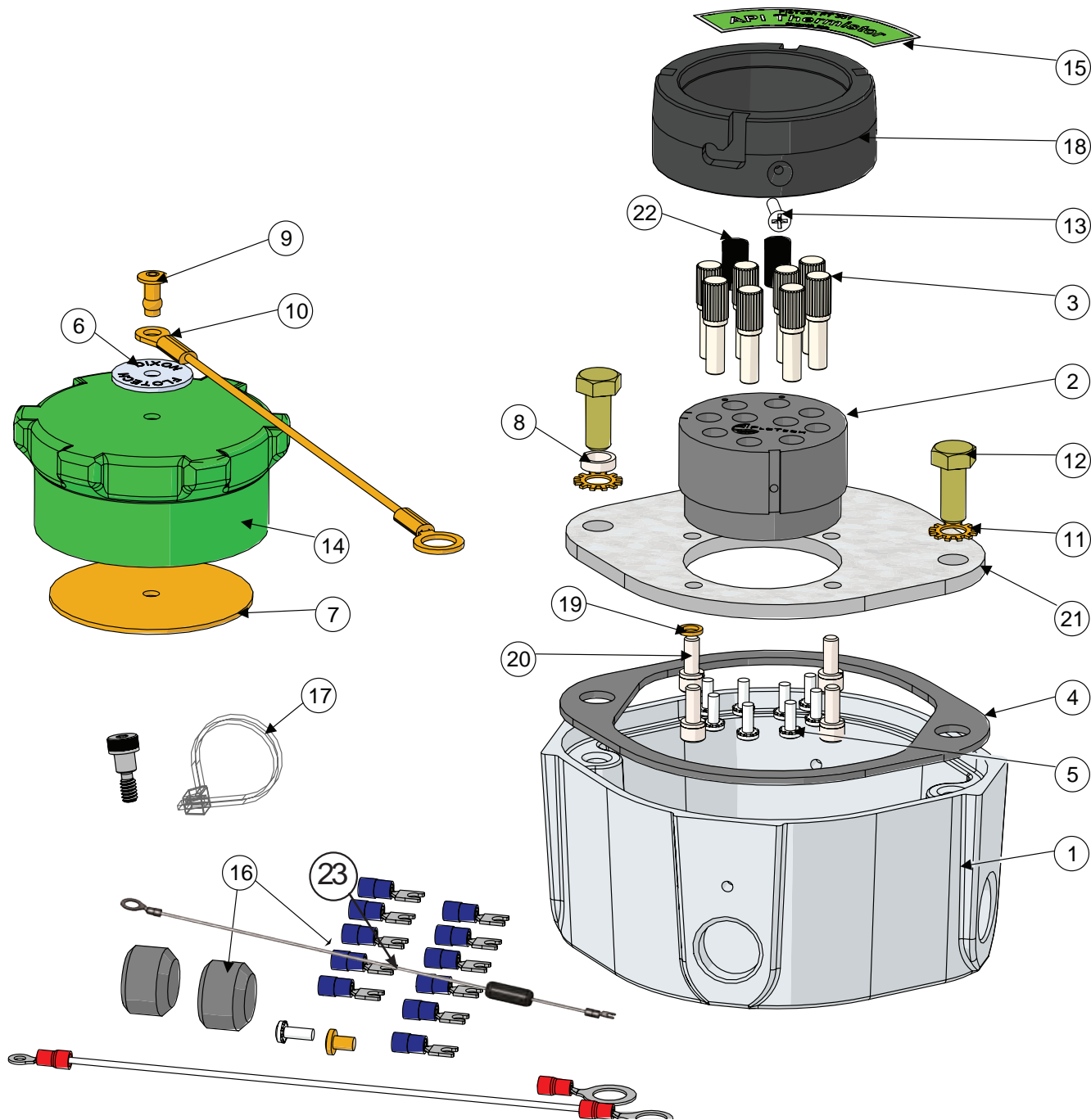
Repair Kits

Part #	Description	Includes Item #
FT312	face plate assembly, API float J560 socket	2-14
FT315	face plate assembly, Thermistor J560 socket	2-14
FT316	face plate assembly, Optic J560 socket	2-14

Product instruction sheets and technical data can be viewed on our website at canada.dixonvalve.com.

Fuel Tanker Overfill Detection

FT30x Series Single J-slot Sockets



Overfill Detection
Replacement Parts

Product instruction sheets and technical data can be viewed on our website at canada.dixonvalve.com.

Fuel Tanker Overfill Detection

Bill of Materials FT30x Series Single J-slot Sockets

Item #	Description	Part #	FT30x Series Single J-slot Sockets																				
			FT300	FT300SS	FT300GW	FT301	FT301SS	FT303	FT303SS	FT304	FT304SS	FT307	FT307SS	FT310	FT310SS	FT311	FT311SS	FT313	FT313SS	FT314	FT314SS	FT317	FT317SS
1	aluminum housing	10031 (was FT9007)	1	1	1	1	1	1	1	1	1	1	1	n/a	n/a	n/a	n/a	n/a	n/a	n/a	n/a	n/a	n/a
2	plastic contact block	10690PL-001	1	1	1	1	1	1	1	1	1	1	1	1	1	1	1	1	1	1	1	1	1
3	stainless steel socket pin	10368SS	6	6	6	8	8	6	6	10	10	6	6	6	8	8	6	6	10	10	6	6	
4	neoprene gasket	10038 (was FT9032)	1	1	1	1	1	1	1	1	1	1	1	1	1	1	1	1	1	1	1	1	
5	stainless steel screw	10086	6	6	6	8	8	6	6	10	10	6	6	6	8	8	6	6	10	10	6	6	
6	aluminum name plate - socket washer	Use cap kit FT320 or FT321	1	1	1	1	1	1	1	1	1	1	1	1	1	1	1	1	1	1	1	1	
7	aluminum washer 2.500 x .0625	Use cap kit FT320 or FT321	1	1	1	1	1	1	1	1	1	1	1	1	1	1	1	1	1	1	1	1	
8	stainless steel spacer	10089	1	1	1	1	1	1	1	1	1	1	1	1	1	1	1	1	1	1	1	1	
9	aluminum rivet .1875	Use cap kit FT320 or FT321	1	1	1	1	1	1	1	1	1	1	1	1	1	1	1	1	1	1	1	1	
10	stainless steel cable - socket 8"	Use cap kit FT320 or FT321	1	1	1	1	1	1	1	1	1	1	1	1	1	1	1	1	1	1	1	1	
11	stainless steel lock washer	10092	2	2	2	2	2	2	2	2	2	2	2	2	2	2	2	2	2	2	2	2	
12	stainless steel screw	10093	2	2	2	2	2	2	2	2	2	2	2	2	2	2	2	2	2	2	2	2	
13	stainless steel screw - contact block	10094	1	1	1	1	1	1	1	1	1	1	1	1	1	1	1	1	1	1	1	1	
14A	vinyl dust cap - thermistor (green)	Use cap kit FT321	n/a	n/a	n/a	1	1	n/a	n/a	1	1	n/a	n/a	n/a	n/a	1	1	n/a	n/a	1	1	n/a	
14B	vinyl dust cap - optic (blue)	Use cap kit FT320	1	1	1	n/a	n/a	1	1	n/a	n/a	1	1	1	1	n/a	n/a	1	1	n/a	n/a	1	
15A	aluminum name plate - FT300	10099	1	1	n/a	n/a	n/a	n/a	n/a	n/a	n/a	n/a	1	1	n/a	n/a	n/a	n/a	n/a	n/a	n/a	n/a	
15B	aluminum name plate - FT301	10100	n/a	n/a	n/a	1	1	n/a	n/a	n/a	n/a	n/a	n/a	1	1	n/a	n/a	n/a	n/a	n/a	n/a	n/a	
15C	aluminum name plate - FT303	10228	n/a	n/a	n/a	n/a	n/a	1	1	n/a	n/a	n/a	n/a	n/a	n/a	1	1	n/a	n/a	n/a	n/a	n/a	
15D	aluminum name plate - FT304	10101	n/a	n/a	n/a	n/a	n/a	n/a	n/a	1	1	n/a	n/a	n/a	n/a	n/a	n/a	n/a	n/a	1	1	n/a	
15E	aluminum name plate - FT307	10283	n/a	n/a	n/a	n/a	n/a	n/a	n/a	n/a	n/a	1	1	n/a	n/a	n/a	n/a	n/a	n/a	n/a	n/a	1	
15F	aluminum name plate-FT300GW	10099-002	n/a	n/a	1	n/a	n/a	n/a	n/a	n/a	n/a	n/a	n/a	n/a	n/a	n/a	n/a	n/a	n/a	n/a	n/a	n/a	
16	assembly hardware	10106	1	1	1	1	1	1	1	1	1	1	1	1	1	1	1	1	1	1	1	1	
17	nylon clamp assembly	10264	n/a	n/a	n/a	1	1	n/a	n/a	1	1	n/a	n/a	n/a	n/a	1	1	n/a	n/a	1	1	n/a	
18A	ALH wear ring - 4 J-slot	10366HC-001 (was FT9042)	n/a	n/a	n/a	1	n/a	1	n/a	1	n/a	1	n/a	n/a	n/a	1	n/a	1	n/a	1	n/a	1	
18B	ALH wear ring - 3 J-slot	10366HC-002 (was FT9041)	1	n/a	1	n/a	n/a	n/a	n/a	n/a	n/a	n/a	1	n/a	n/a	n/a	n/a	n/a	n/a	n/a	n/a	n/a	
18C	stainless steel wear ring - 4 J-slot	10366SS-001 (was FT9043)	n/a	n/a	n/a	n/a	1	n/a	1	n/a	1	n/a	1	n/a	n/a	n/a	1	n/a	1	n/a	1	n/a	
18D	stainless steel wear ring - 3 J-slot	10366SS-002 (was FT9044)	n/a	1	n/a	n/a	n/a	n/a	n/a	n/a	n/a	n/a	n/a	1	n/a	n/a	n/a	n/a	n/a	n/a	n/a	n/a	
19	stainless steel lock washer	10375SS	4	4	4	4	4	4	4	4	4	4	4	4	4	4	4	4	4	4	4	4	
20	stainless steel screw	10376SS	4	4	4	4	4	4	4	4	4	4	4	4	4	4	4	4	4	4	4	4	
21	aluminum socket plate	10431AL	1	1	1	1	1	1	1	1	1	1	1	1	1	1	1	1	1	1	1	1	
22	plastic black button insert	BLACK BUTTON INSERT	6	6	6	6	6	6	6	6	6	6	6	6	6	6	6	6	6	6	6	6	
23	ground wire assembly	10735	n/a	n/a	1	n/a	n/a	n/a	n/a	n/a	n/a	n/a	n/a	n/a	n/a	n/a	n/a	n/a	n/a	n/a	n/a	n/a	

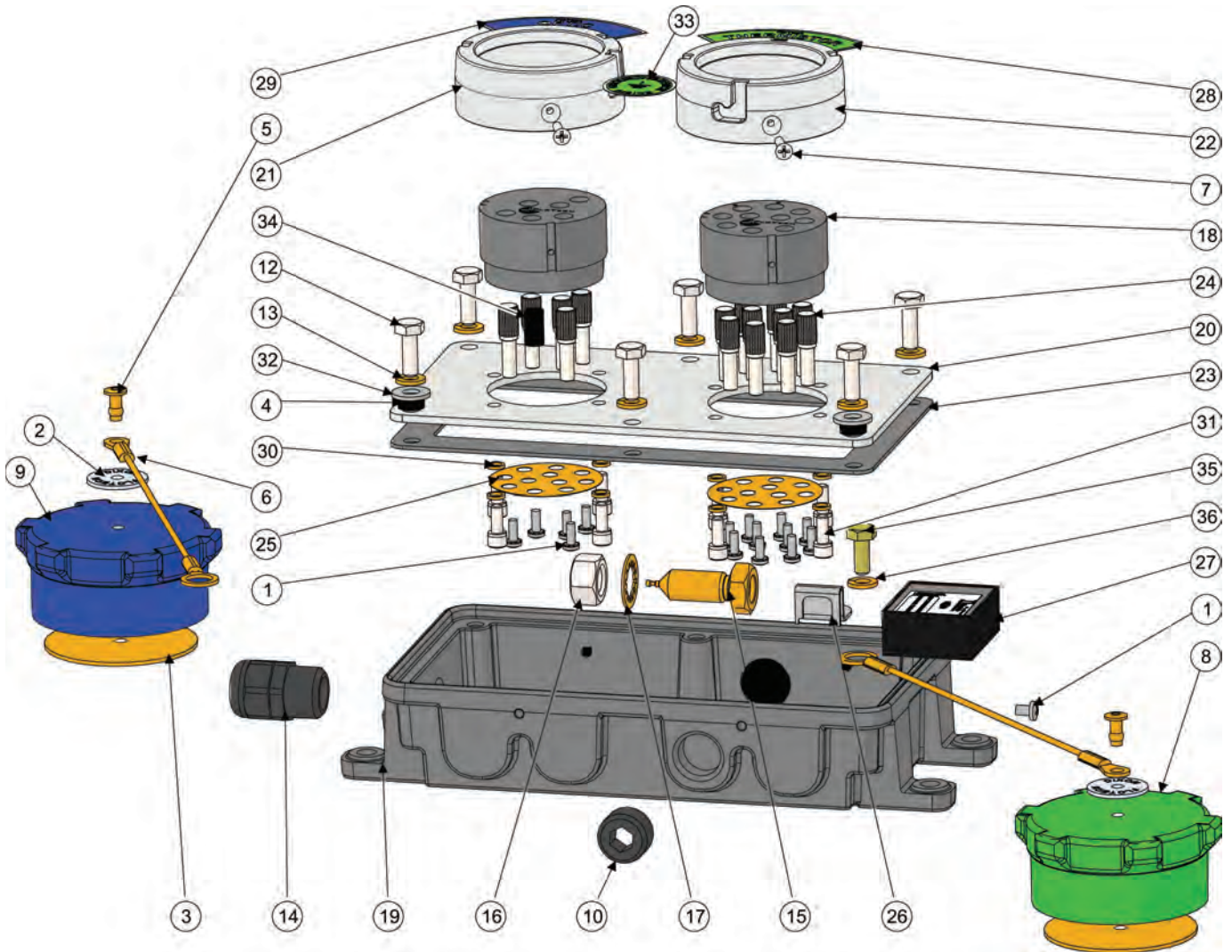
Repair Kits

Part #	Description	Includes Item #
FT320	blue (optic) vinyl cap assembly	6, 7, 9, 10, 14B
FT321	green (thermistor) vinyl cap assembly	6, 7, 9, 10, 14A
FT310	face plate assembly - API optic ALH wear ring 6 pin 3 J-slot (US)	2-16, 18-22
FT310SS	face plate assembly - API optic SS GFL wear ring 6 pin 3 J-slot (US)	2-16, 18-22
FT311	face plate assembly - API Thermistor ALH wear ring 8 pin 4 J-slot (US)	2-22
FT311SS	face plate assembly - API Thermistor SS GFL wear ring 8 pin 4 J-slot (US)	2-22
FT313	face plate assembly - optic ALH wear ring 6 pin 4 J-slot (US)	2-16, 18-22
FT313SS	face plate assembly - optic SS GFL wear ring 6 pin 4 J-slot (US)	2-16, 18-22
FT314	face plate assembly - Thermistor ALH wear ring 10 pin 4 J-slot (Canada)	2 - 22
FT314SS	face plate assembly - Thermistor SS GFL wear ring 10 pin 4 J-slot (Canada)	2 - 22
FT317	face plate assembly - optic ALH wear ring 6 pin 4 J-slot (Canada)	2-16, 18-22
FT317SS	face plate assembly - optic SS GFL wear ring 6 pin 4 J-slot (Canada)	2-16, 18-22
FT9008	contact block for FT300 Optic	2, 3, 5, 13
FT9009	contact block for FT301 Thermistor	2, 3, 5, 13
FT9010	contact block for FT304 10 pin Thermistor	2, 3, 5, 13
FT9013	faceplate 4 J-slot (no contact block or hardware)	4, 15B, 18A, 1921
FT9020	socket pin, screw and crimp lug	3, 5
FT9034	faceplate 3 J-slot, (without contact block and hardware)	4, 15A, 18B, 1921
FT9046	socket contact pins, and screws	3, 5
FT9068	contact block attachment screws and washers (4 each)	19, 20

Overfill Detection Replacement Parts

Fuel Tanker Overfill Detection

FT390/FT391 Series EZ-Cept Double Sockets



Product instruction sheets and technical data can be viewed on our website at canada.dixonvalve.com.

Fuel Tanker Overfill Detection

FT390/FT391 Series EZ-Cept Double Sockets

Bill of Materials

Item #	Description	Part #	FT390	FT390V	FT390G	FT390GT	FT390T	FT390-20	FT390G-20	FT391	FT391V
1	stainless steel screw	10086	16	16	16	16	16	16	16	16	16
2	aluminum name plate - socket washer	use kit FT320 or FT321	2	2	2	2	2	2	2	2	2
3	aluminum washer 2.500 x .0625	use kit FT320 or FT321	2	2	2	2	2	2	2	2	2
4	stainless steel spacer	10089	2	2	2	2	2	2	2	2	2
5	aluminum rivet .1875	use kit FT320 or FT321	2	2	2	2	2	2	2	2	2
6	stainless steel cable - socket 8"	use kit FT320 or FT321	2	2	2	2	2	2	2	2	2
7	stainless steel screw - contact block	10094	2	2	2	2	2	2	2	2	2
8	vinyl dust cap - thermistor (green)	use kit FT321	1	1	1	1	1	1	1	1	1
9	vinyl dust cap - optic (blue)	use kit FT320	1	1	1	1	1	1	1	1	1
10	polypropylene pipe plug	10103	2	2	2	2	2	2	2	2	2
11	steel screw - plug	10105	3	3	3	3	3	3	3	3	3
12	stainless steel screw	10110	6	6	6	6	6	6	6	6	6
13	stainless steel lock washer - 1/4"	10111	6	6	6	6	6	6	6	6	6
14	polyamide strain relief	10139	1	1	1	1	1	1	1	1	1
15	stainless steel ground bolt	10223	n/a	n/a	1	1	n/a	n/a	1	n/a	n/a
16	stainless steel nut - ground bolt 1/2"-13	10224	n/a	n/a	1	1	n/a	n/a	1	n/a	n/a
17	stainless steel lock washer internal tooth	10225	n/a	n/a	1	1	n/a	n/a	1	n/a	n/a
18	plastic contact block - socket short	10254	2	2	2	2	2	2	2	2	2
19	aluminum box - dual socket	10364AL-001	1	1	1	1	1	1	1	1	1
20	aluminum faceplate - dual socket	10365AL	1	1	1	1	1	1	1	1	1
21	stainless steel wear ring - 3 J-slot	10366SS-002	1	1	1	1	1	1	1	n/a	n/a
22	stainless steel wear ring - 4 J-slot	10366SS-001	1	1	1	1	1	1	1	2	2
23	cork gasket - lid	10367CK	1	1	1	1	1	1	1	1	1
24	stainless steel socket pin - short	10368SS (was FT9061)	16	16	16	16	16	16	16	16	16
25	vinyl label - socket contact	10369VY	2	2	2	2	2	2	2	2	2
26	stainless steel bracket - ground bolt	10370SS	1	1	1	1	1	1	1	1	1
27	trailer identification module	10372	n/a	n/a	n/a	1	1	n/a	n/a	n/a	n/a
28	aluminum name plate - thermistor	10373AL	1	1	1	1	1	1	1	1	1
29	aluminum name plate - optic	10374AL	1	1	1	1	1	1	1	1	1
30	stainless steel lock washer	10375SS	8	8	8	8	8	8	8	8	8
31	stainless steel screw	10376SS	8	8	8	8	8	8	8	8	8
32	stainless steel washer	10382SS	2	2	2	2	2	2	2	2	2
33	ground bolt label	10621AL	n/a	n/a	1	1	n/a	n/a	1	n/a	n/a
34	plastic black button insert	BLACK BUTTON INSERT	6	6	6	6	6	6	6	6	6
35A	stainless steel screw	10110	n/a	n/a	n/a	1	1	n/a	n/a	n/a	n/a
35B	stainless steel screw	10377SS	1	1	1	N/a	N/a	1	1	1	1
36	stainless steel lock washer - 1/4"	10111	1	1	1	1	1	1	1	1	1
not illustrated	20' cable, factory wired to sockets	10387-20	n/a	n/a	n/a	n/a	n/a	1	1	n/a	n/a

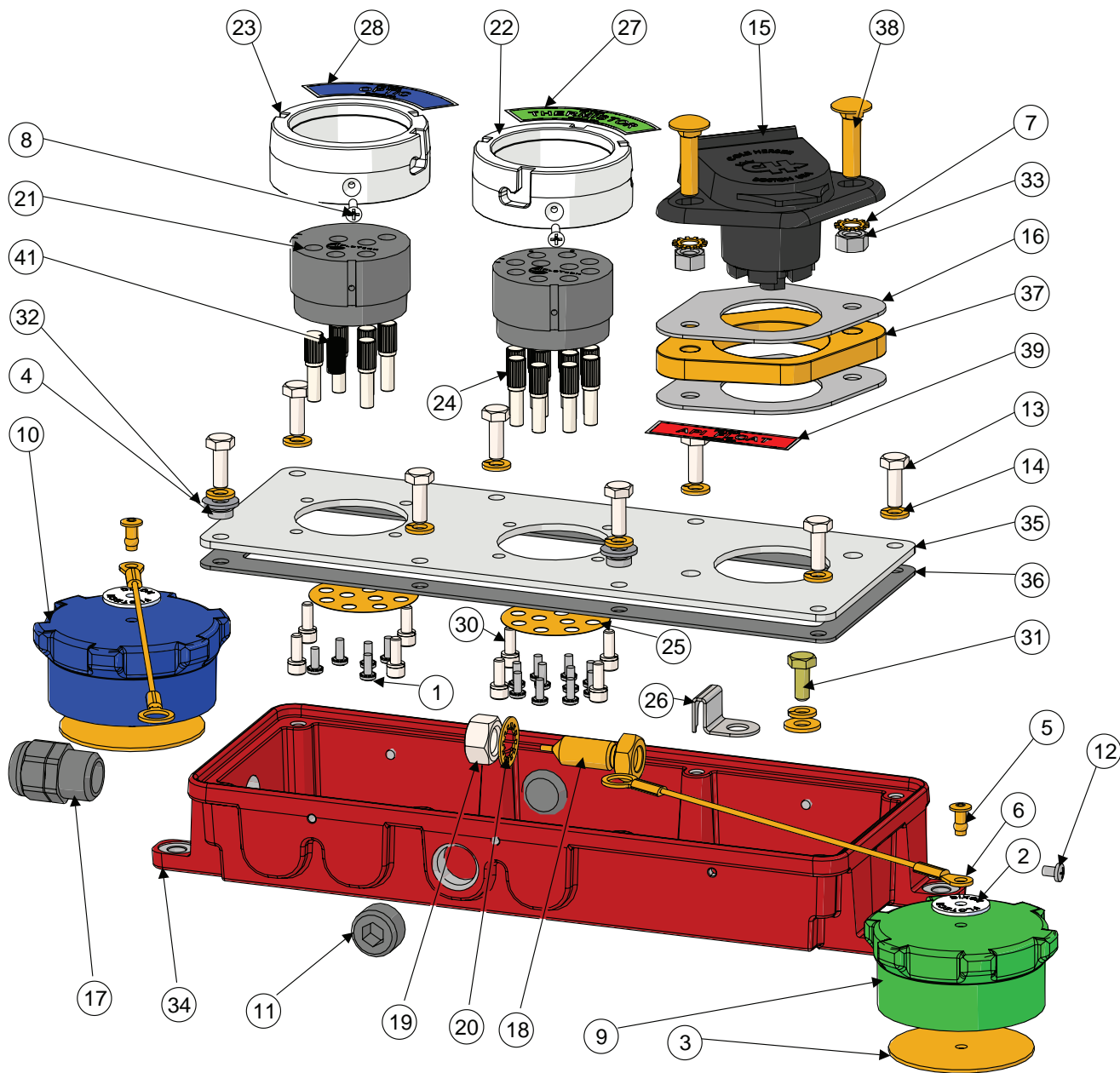
Repair Kits

Part #	Description	Includes Item #
FT320	blue (optic) vinyl cap assembly	2, 3, 5, 6, 9
FT321	green (thermistor) vinyl cap assembly	2, 3, 5, 6, 8
FT9051	contact block assembly for FT390/FT393 Optic 6 pin	1, 7, 18, 24, 25
FT9052	contact block assembly for FT390/FT393 Thermistor 10 pin	1, 7, 18, 24, 25
FT9062	nose ring, contact assembly, Thermistor 4 J-slot, 10 pin	1, 7, 18, 22, 24, 25
FT9063	nose ring, contact assembly, Optic 3 J-slot, 6 pin	1, 7, 18, 21, 24, 25
FT9068	contact block attachment screws and washers (4 each)	30, 31

Product instruction sheets and technical data can be viewed on our website at canada.dixonvalve.com.

Fuel Tanker Overfill Detection

FT393/394/395 Series EZ-Cept Triple Sockets



Overfill Detection
Replacement Parts

Product instruction sheets and technical data can be viewed on our website at canada.dixonvalve.com.

Fuel Tanker Overfill Detection

FT393/394/395 Series EZ-Cept Triple Sockets

Bill of Materials

Item #	Description	Part #	FT393	FT394	FT394G	FT394V-G	FT395	FT395V	FT395G	FT395V-G
1	stainless steel screw	10086	16	16	16	16	16	16	16	16
2	aluminum name plate - socket washer	10087	2	2	2	2	2	2	2	2
3	aluminum washer 2.500 x .0625	use kit FT320 or FT321	2	2	2	2	2	2	2	2
4	stainless steel spacer	use kit FT320 or FT321	2	2	2	2	2	2	2	2
5	aluminum rivet .1875	use kit FT320 or FT321	2	2	2	2	2	2	2	2
6	stainless steel cable - socket 8"	use kit FT320 or FT321	2	2	2	2	2	2	2	2
7	stainless steel lock washer	10092	2	2	2	2	2	2	2	2
8	stainless steel screw - contact block	10094	2	2	2	2	2	2	2	2
9	vinyl dust cap - thermistor (green)	use kit FT321	1	1	1	1	1	1	1	1
10	vinyl dust cap - optic (blue)	use kit FT320	1	1	1	1	1	1	1	1
11	polypropylene pipe plug	10103	2	2	2	2	2	2	2	2
12	steel screw - plug	10105	4	4	4	4	4	4	4	4
13	stainless steel screw	10110	8	8	8	8	8	8	8	8
14	stainless steel lock washer - ¼"	10111	9	9	9	9	9	9	9	9
15	J560 socket	10119 (was FT9029)	1	1	1	1	1	1	1	1
16	neoprene gasket, float socket	10121	2	2	2	2	2	2	2	2
17	polyamide strain relief	10139	1	1	1	1	1	1	1	1
18	stainless steel ground bolt	10223	n/a	n/a	1	1	n/a	n/a	1	1
19	stainless steel nut - ground bolt ½" - 13	10224	n/a	n/a	1	1	n/a	n/a	1	1
20	stainless steel lock washer internal tooth	10225	n/a	n/a	1	1	n/a	n/a	1	1
21	plastic contact block - socket short	10254	2	2	2	2	2	2	2	2
22	stainless steel wear ring - 4 J-slot	10366SS-001 (was FT9044)	1	1	1	1	2	2	2	2
23	stainless steel wear ring - 3 J-slot	10366SS-002 (was FT9043)	1	1	1	1	n/a	n/a	n/a	n/a
24	stainless steel socket pin - short	10368SS (was FT9061)	16	16	16	16	16	16	16	16
25	vinyl label - socket contact	10369VY	2	2	2	2	2	2	2	2
26	stainless steel bracket - ground bolt	10370SS	1	1	1	1	1	1	1	1
27	aluminum name plate - thermistor	10373AL	1	1	1	1	1	1	1	1
28	aluminum name plate - optic	10374AL	1	1	1	1	1	1	1	1
30	stainless steel screw	10376SS	8	8	8	8	8	8	8	8
31	stainless steel screw	10377SS	1	1	1	1	1	1	1	1
32	stainless steel washer	10382SS	2	2	2	2	2	2	2	2
33	stainless steel nut	10508SS	2	2	2	2	2	2	2	2
34	aluminum box - 3 socket	10525AL	1	1	1	1	1	1	1	1
35	aluminum faceplate - 3 socket	10526AL	1	1	1	1	1	1	1	1
36	cork gasket - lid	10527CK	1	1	1	1	1	1	1	1
37	acetal spacer	10529AC	1	1	1	1	1	1	1	1
38	stainless steel carriage bolt	10530SS	2	2	2	2	2	2	2	2
39A	aluminum name plate - optic (blue)	10558AL	n/a	1	1	1	1	1	1	1
39B	aluminum name plate - float (red)	10531AL	1	n/a	n/a	n/a	n/a	n/a	n/a	n/a
40	aluminum label - ground bolt	10621AL	n/a	n/a	1	1	n/a	n/a	1	1
41	plastic black button insert	BLACK BUTTON INSERT	6	6	6	6	6	6	6	6

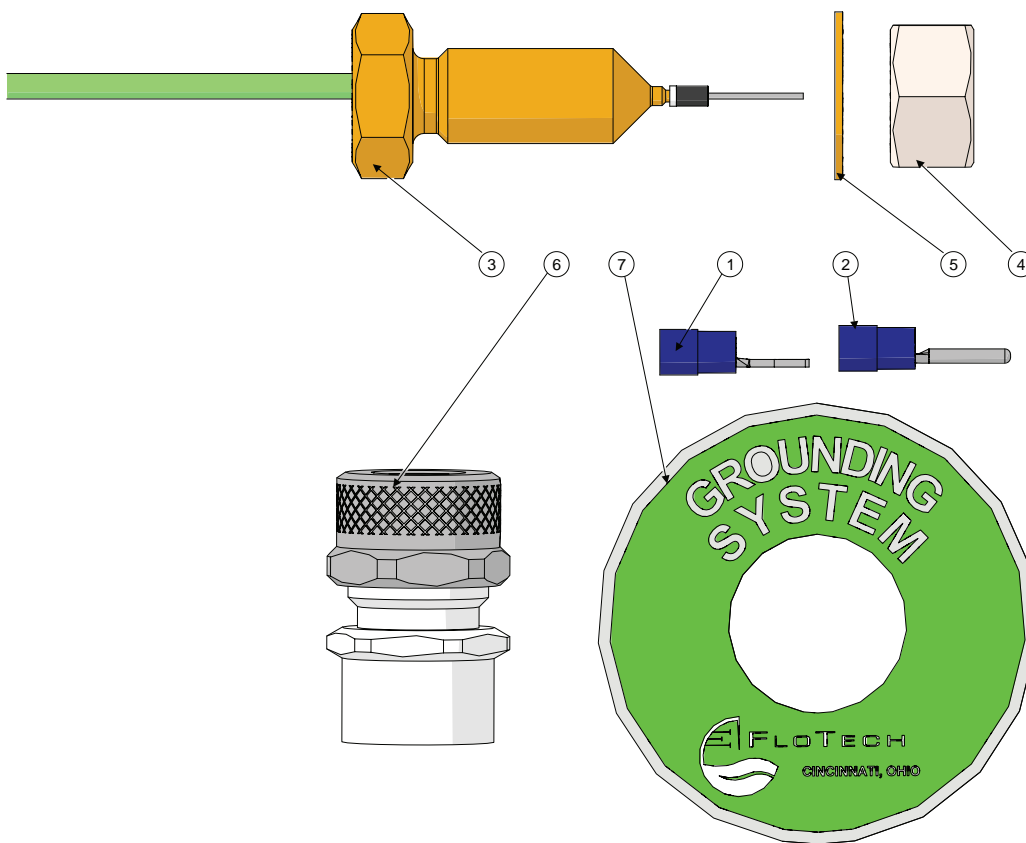
Repair Kits

Part #	Description	Includes Item #
FT320	blue (optic) vinyl cap assembly	2, 3, 5, 6, 9
FT321	green (thermistor) vinyl cap assembly	2, 3, 5, 6, 10
FT9051	contact block assembly for FT390/FT393 Optic 6 pin	1,8, 21, 24, 25
FT9052	contact block assembly for FT390/FT393 Thermistor 10 pin	1,8, 21, 24, 25
FT9062	nose ring, contact assembly, Thermistor 4 J-slot, 10 pin	1, 8, 21, 22, 24, 25
FT9063	nose ring, contact assembly, Optic 3 J-slot, 6 pin	1, 8, 21, 22, 24, 25
FT9068	contact block attachment screws and washers (4 each)	29, 30

Product instruction sheets and technical data can be viewed on our website at canada.dixonvalve.com.

Fuel Tanker Overfill Detection

FT450 Ground Bolt



Bill of Materials

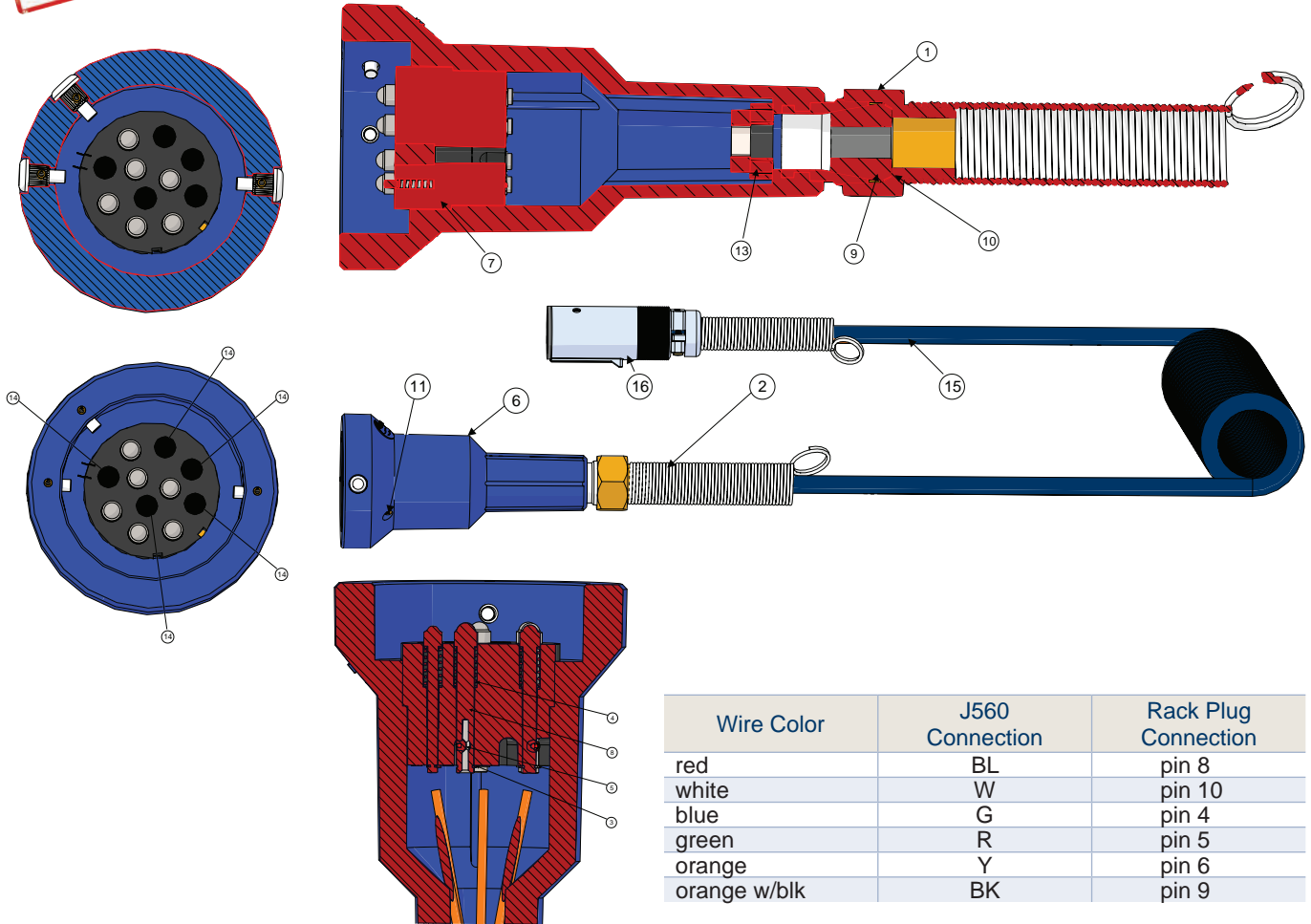
Item #	Description	Part #	Qty
1	locking spade	10102	1
2	terminal pin	10123	1
3	stainless steel ground bolt	10223	1
4	stainless steel nut - ground bolt 1/2" - 13	10224	1
5	stainless steel lock washer internal tooth	10225	1
6	strain relief 1/2" NPT	10229	1
7	aluminum label - ground bolt	10562	1

Product instruction sheets and technical data can be viewed on our website at canada.dixonvalve.com.

Fuel Tanker Overfill Detection

Rack Cords-FT620P

NEW



Wire Color	J560 Connection	Rack Plug Connection
red	BL	pin 8
white	W	pin 10
blue	G	pin 4
green	R	pin 5
orange	Y	pin 6
orange w/blk	BK	pin 9

Bill of Materials

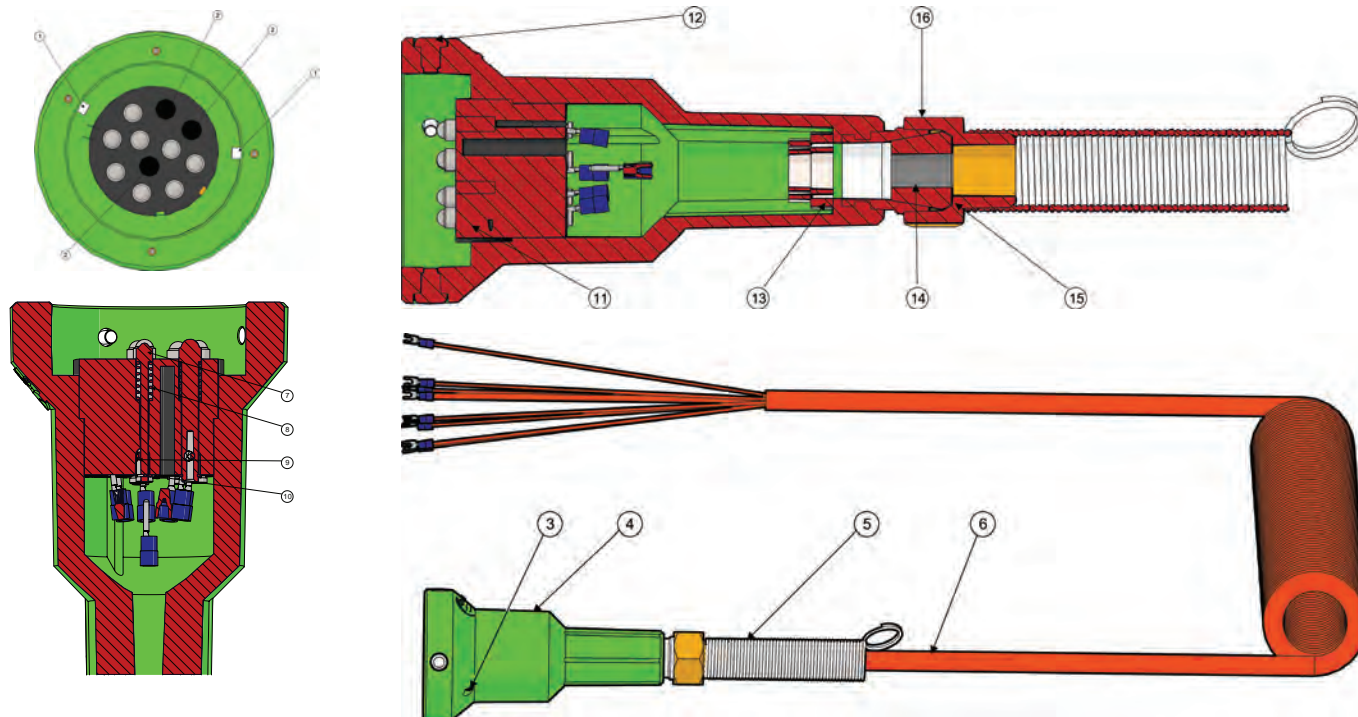
Item #	Description	Part #	Qty	Material
1	strain relief nut	10249	1	aluminum
2	spring	10250	1	stainless steel
3	retaining ring	10252	6	steel
4	spring	10253	6	stainless steel
5	set screw	10260	6	stainless steel
6	body	10523NY-003	1	nylon
7	contact block-long	10524PL-001	1	plastic
8	plug pin	10550SS	6	stainless steel
9	cord grip bushing	10715NP	1	neoprene
10	cord grip washer	10716ST	1	plated steel
11	screw	10717SS	1	stainless steel
13	pinch-on double ear clamp	1518R	1	stainless steel
14	black button insert	BLACK BUTTON INSERT	5	plastic
15	assembly 30' coil	10290-002	1	316 stainless steel
16	J560 plug	10285-003	1	reinforced nylon

Overfill Detection Replacement Parts

Product instruction sheets and technical data can be viewed on our website at canada.dixonvalve.com

Fuel Tanker Overfill Detection

Rack Cords



Bill of Materials

Item #	Description	Part #	FT600	FT600C	FT600S	FT600SC	FT620	FT620S
1	bayonet stud	10718SS	2	4	2	4	3	3
2	plastic black pin insert	BLACK BUTTON INSERT	3	1	3	1	5	5
3	stainless steel screw	10717SS	1	1	1	1	5	1
4A	green "thermistor" glass reinforced nylon plug body	10523NY-004	1	1	1	1	n/a	n/a
4B	blue "optic" glass reinforced nylon plug body	10523NY-003	n/a	n/a	n/a	n/a	1	1
5	stainless steel cable bend restrictor spring	10250	1	1	1	1	1	1
6A	thermistor cable assembly 30' coiled (US)	10259	1	n/a	n/a	n/a	n/a	n/a
6B	thermistor cable assembly 30' coiled (Canada)	10259-C	n/a	1	n/a	n/a	n/a	n/a
6C	thermistor cable assembly 20' straight (US)	10259-S	n/a	n/a	1	n/a	n/a	n/a
6D	thermistor cable assembly 20' straight (Canada)	10259-CS	n/a	n/a	n/a	1	n/a	n/a
6E	optic cable assembly 30' coiled (US)	10290	n/a	n/a	n/a	n/a	1	n/a
6F	optic cable assembly 30' straight (US)	10290-S	n/a	n/a	n/a	n/a	n/a	1
7	plug pin	10550SS	8	10	8	10	6	6
8	stainless steel plug spring	10253	8	10	8	10	6	6
9	set screw	10260	8	10	8	10	6	6
10	retaining ring	10252	8	10	8	10	6	6
11	long plastic contact block	10524PL-001	1	1	1	1	1	1
12	aluminum bayonet pin plug	10718PLUG	2	4	2	4	n/a	n/a
13	stainless steel double ear pinch on clamp	SINGLE1518R	1	1	1	1	1	1
14	cord grip bushing	10715NP	1	1	1	1	1	1
15	cord grip washer	10716ST	1	1	1	1	1	1
16	aluminum strain relief nut	10249	1	1	1	1	1	1

Repair Kits

Part #	Description	Includes Item #
FT601	thermistor plug assembly, 8 pin 2 J-slot (US)	1-4A,5, 7-11,14-16
FT601-4	green plug assembly with 8 contact pins and 4 J-slot	1-4A,5, 7-11,14-16
FT601-10	thermistor plug assembly, 10 pin 4 J-slot (Canada)	1-4A,5, 7-11,14-16
FT602	30' orange coiled cord, Thermistor 10 conductor	6B, 13
FT604	20' orange straight cord, Thermistor 10 conductor	6D, 13
FT621	optic plug assembly, 6 pin 3 J-slot (US)	1-4B,5,7-11,14-16
FT622	30' orange coiled cord, Optic 6 conductor	6E, 13
FT624	20' orange straight cord, Optic 6 conductor	6F, 13

Overfill Detection Replacement Parts

Description Index

A	Adapters 10, 23	Clamps (continued)	FloTech
	150# flange 49	Bolt 14	2 Wire systems 72-75
	API drop 31	Groove x groove 14	5 Wire systems 78, 79
	Bayonet style 52	Pipe band 16	API optic 5 wire 78, 79
	Female NPS vapor 49	Quick connect 15, 16	Onboard monitors 79
	Female NPT 48, 52	Clump buster 13	Overfill sensors 79
	Flange 10, 23	Competitor cross reference charts	Replacement probes 79
	TTMA 10	API rack cords 91, 96	Checkmate overfill detection systems
	Reducing 23	Hardware and system testers 96	Overfill detection sensors 73
	Weldable 23	Liquid level sensors 95	Top and bottom detection 72
	Gravity drop 32	Onboard systems 97, 98	Top detection only 72
	In-Ground tank 41	Sockets 96	Checkmate overfill/retain
	Jump size female NPT 49	Couplers 51	Plug-n-Play system 67-71
	Side seal to top seal 39	Bayonet style 52	Monitors, integrated dual sockets 67, 68
	Tank cabinet "Dummy" Weld-on 39	Female NPT 51	Monitors, stand alone 69
	Air interlock valves 45	Female NPT, greaseless 50	Socket assemblies, stand alone . 69
	Aluminum Bolt Clamps 14	Female NPT swivel 50	Checkmate overfill/retain system ... 73
	API	Couplings	Monitors 73
	Clamps 55	Bayonet style 52	Replacement probes 73
	Couplers 54	Cam and Groove	Retain sensors 73
	Drop adapters 31	TTMA flange 24	FT151RL ROM Link 77
	Dust caps 31, 32	Straight thread 25	Junction boxes 89
	Flange gaskets 36	Dry disconnects 48, 50, 51, 52	Monitors 67-69, 73, 75
	Gaskets 36	Vapor hose 44	Monitors, Rack control 90
	Loading rack cords 88	D	Plug-n-Play System 67-71
	Optic cord assemblies 88	Disk Fluidizer 21	Probe and sensor housing 80
	Thermistor cord assemblies 88	Fluidizer kits 21	Replacement parts 93, 94
	Valves 30	Doors	ROM type overfill detection 74
	B	Hose tube 22	Monitors 75
	Blowers 4	Drop adapters 31, 32	ROM type overfill/retain detection .. 74
	Air relief valves 4	Dry disconnects 48-54	Replacement probes 75, 77
	Bolt	Adapters 48, 49, 52	Sensors 76
	Clamps	Dry Disconnects	Sensors 79
	Aluminum 14	Bayonet 52, 53	Checkmate, Plug-n-Play 70
	Painted iron 14	Cam and Groove 48, 50	Overfill detection replacement
	Breakaways 62	Cam and Groove D2C 51	API Optic 5 wire 79
	Bulk delivery 58, 59	Dust caps 31, 32, 81, 82	Black and white 2 wire 73
	C	Dust plugs with handle 31	Red and black 2 wire 75
	Cables and strain reliefs 86	E	Retain 70, 73
	Cam and groove 35, 50, 51	Elbows	ROM Link™ 77
	In-line sight glasses 13	Dual point 42	ROM type
	Caps	Fuel delivery 37-39	Retain 76
	Automatic pressure/vacuum relief . 63	Height extensions 39	Sockets
	In-ground tank 41	Inlets 38	Dual integrated 67, 68
	Orange vapor 43	Side seal 38	EZ-Cept
	Tanker pipe 46	Single point coaxial 40	Double 83
	Vent	Vapor recovery 40, 42	Single aluminum hard-coat J-slot 81
	Stationary tank 63	F	GFL J-slot wear rings 82
	Clamps 14-16, 55	Flanges	Socket profiles 99
		150# adapter 49	Stand alone assemblies 69
		Cam and groove 35	Truck testers 86, 87
		Gaskets 36	Wiring harnesses 71
		Reducers 36	Fuel compatibility chart 28
		Sight flow indicator 33, 34	Fuel delivery 37-42
		TTMA 54	6200 and 6500 Series 37
		Dimensions 10	Anti spill tubes 38

Fuel Delivery (continued)

- Elbow height extensions 39
- Elbow inlets 38
- Elbows 37
 - Adapters 39
- Fuel station 41
- Side seal 38
- Single point coaxial elbows 40
- Straight drop 38
- Tank cabinet dummy weld-on 39
- Fuel nozzles 56, 58, 59, 60, 61
- Fuel tanker 34-36, 46, 47, 54, 55
 - Ball valves 46
 - Hose tube doors 46
 - Pipe caps 46
 - Static grounding balls 46
- Fuel tanker loading and unloading 30-33
- Fuel tanker overfill detection 66-100
- Fuel vapor recovery 42-45

G

- Gaskets 15
 - Clamp 14, 55
 - Flange 36
 - TTMA Series 10
- Gravity drop adapter 31, 32
- Grounding balls 46, 85
- Grounding bolt 85

H

- Hopper Tees 20
- Hose tube doors 46
- Housing, Probe and sensor 80

I

- In-ground tank adapters 41

J

- Junction boxes 89
 - Assembly accessories 89

L

- Lanyards 5
- Loading rack cords 88

M

- Manifolds 9
 - Swing check/air relief 9
- Monitors
 - 5 Wire systems 78
 - Black and white 2 wire systems 72, 73
 - Rack control 90
 - Red and black 2 wire systems .. 74-76
 - ROM type onboard 75
 - Stand alone 69
 - With integrated dual sockets 67, 68
 - Wiring harnesses 71

N

- Nipples 56
- Nozzles
 - Breakaways 62
- Fuel
 - Aircraft over wing 61
 - Ball 59
 - Big Mouth™ Diesel 57
 - Bulk delivery 58, 59
 - DEF auto shutoff 57
 - Farm and consumer 56
 - Fueler 100™ auto diesel 58
 - Fuel Master™ Diesel 57
 - Pressure 58, 60
 - Spouts 58-60
 - Swivels 61

O

- Optic system testers 86
- Overfill detection
 - API Optic 78, 79
 - Checkmate 67-73
 - ROM type 74-77

P

- Pipe band clamps 16
 - Replacement parts 16
- Pipe connections 14-16
 - Grooved 14-16
- Plug-n-Play System 67-71
- Pneuclean pneumatic filtration 12
 - Replacement parts 12
- Pneumatic filtration system 12
- Probes 66, 70, 73, 75, 79, 80
- Product indicators 34

R

- Replacement parts
 - 500AV and 525AV angle valves ... 169
 - 4020-CVR-AL vapor hose couplers ...
 - 135
 - 4500 Series 122
 - 4530 and 4540 Series 121
 - 5000-2 API dust caps 119
 - 5000-24L 120
 - 5200-SFI Series 123
 - 5204 Series 117, 118
 - 5205 API dust caps 119
 - 5300/5400 Series 114-116
 - 6000AS Series 128
 - 6000-SSA Series 128
 - 6303 and 6304 Series 126
 - 6400 Series 127
 - Aircraft over wing nozzles 166
 - Air interlock valves 140-143
 - API optic onboard monitors 187
 - BA/BS/BSS series bayonet style
 - dry disconnects 162, 163
 - BL ball nozzles 170, 171
 - BL super ball nozzles 172, 173

Replacement parts (continued)

- Bolt clamp 14, 15
- Bulk delivery nozzles 164, 165
- Caps
 - Bronze 132
 - Nylon vapor 132
- Checkmate onboard monitor 189
- D2C cam and groove actuator style
 - dry disconnects 158
- DBAF cam and groove dry disconnects
 - Stainless flange adapters 147
- DBC cam and groove dry disconnects
 - Aluminum couplers 148-155
 - Stainless steel couplers 148-155
- DBS 90° swivel cam and groove
 - dry disconnects 156, 157
- DBVA cam and groove dry disconnects
 - Stainless vapor adapters 146
- "D" handle elbows 124
- Drop elbow inlets 123
- Dry disconnect bayonet style
 - Adapters 159
 - Couplers 160, 161
- Dust caps with handle 143
- EZ-Cept sockets 193-196
- Gravity nozzles 167
- Ground bolt 197
- Hose shank and
 - check valve swivels 169
- Outbreathing and Inbreathing vents 139
- Pipe band clamps 16
- Plug-n-Play 174-184
 - Monitors with integrated
 - dual sockets 174, 175
 - Sensors and housings . 183, 184
 - Stand alone monitors 176
 - Stand alone sockets 177-182
- Pneuclean pneumatic filtration 12
- Rack cords 198, 199
- ROM type onboard monitor 188
- Sensor housings 185, 186
- Sequential vapor vents
 - VR6030SQ Series 137
 - VR6035SQ Series 138
- Side lever elbows 125
- Sockets 190-196
- Swivels 168
- Tube doors 140
- Utility nozzles 167
- Vapor
 - Adapters
 - VR4086 Series 135
 - Elbows
 - VR6000NP Series 131
 - VR6100 Series 129
 - VR6500 Series 130
 - Hose couplers
 - VR3000AL 136
 - VR4030CS-AL 136
 - VR4030CS-NP 136

Replacement parts (continued)

VR4040CS-AL 135
 VR4040CS-4MNPT 135
 VR4100F-SFI 134
 Vapor hose valves 133, 134

S

SA4050AL Series 132
 Sensor dummy 85
 Sensor housings 80
 Sensors 66, 70, 72-80
 Sight flow indicators 33, 34
 Sight glasses 13
 Cam and groove in-line 13
 Sockets
 Dual 67, 68
 EZ-Cept Double 83
 EZ-Cept Triple 84
 Single 81, 82
 Socket profiles 99, 100
 Stand alone 69
 Triple 84
 Static discharge reels 92
 Static grounding balls 46
 Swing check valves
 High flow series 11
 Swivels 61

T

Tank 64
 Suction Deflectors 64
 Testers
 Optic system 86
 Rack monitor 87
 Truck 87
 Testing equipment 22
 Air relief valve 22
 Theory of operation 3
 Trailer/tank mount valves 4, 6
 TTMA
 Butterfly valve spacers 36
 Flange 35
 Adapters 10
 Reducers 36
 Flanged cam and groove 35
 Flanged sight flow indicators ... 33, 34
 Gaskets 36

V

Valves 4- 8, 11, 17
 Air interlock
 Heavy-Duty 45
 Standard 45
 Air relief
 Blower 4
 Flow rates 8
 Inspection, cleaning and
 maintenance 3
 Settings 7
 Theory of operation 3

Valves (continued)

API
 Load only 30
 Load/unload 30
 Ball
 One way full flow 47
 Two way 3 port diverting 47
 Butterfly
 Composite
 Handle kits 19
 Handle kits 18
 Butterfly 17, 18
 Composite 19
 Dimensions 17
 One piece 17
 Iron disc 17
 Stainless steel disc 18
 two piece 18
 Lanyards 5
 Pressure setting 5, 6
 Adjustable 6
 Fixed 5
 Swing check 9, 11
 Bayco high flow series 11
 Vacuum relief 7
 Vapor return 43
 Vapor recovery 40-42
 Dual point elbows 42
 Elbows 40, 42
 Hose couplings 43
 Single point coaxial elbows 40
 Vent caps 63
 Vents 64
 Outbreathing and inbreathing 44
 Service Station Fuel Tank 64

Part Number Index

0387P-OP.....	177	10200A.....	175, 176, 188, 189	10433PL.....	175, 176, 189
10-400-1500.....	17	10203.....	185	10434AL.....	176, 189
10-400-4222370.....	112	10204.....	183	10435AL.....	176, 189
10-400-422500.....	112	10207.....	187	10436SS.....	175, 176, 189
100202.....	140	10212.....	183, 185	10437SS.....	175, 176, 189
10031.....	179, 190, 192	10213.....	183, 185	10438A.....	175, 176, 189
10038.....	179, 190, 192	10223.....	180, 182, 194, 196, 197	10459.....	175, 176, 188, 189
10077.....	187	10224.....	113, 180, 182, 194, 196, 197	10460.....	188
10078.....	188	10225.....	180, 182, 194, 196, 197	10465.....	175, 176, 189
10079.....	187	10228.....	192	10470AL.....	187, 188
10086.....	175, 180, 182, 187, 188, 192, 194, 196	10229.....	197	10471NY.....	186
10087.....	182, 196	10235.....	179, 190	10471NY-PandP.....	184
10089.....	175, 180, 192, 194	10244.....	190	10476AL.....	184, 186
10092.....	179, 182, 190, 192, 196	10248.....	183, 184	10477SS.....	184, 186
10093.....	179, 190, 192	10249.....	198, 199	10507SS.....	179, 190
10094.....	175, 180, 182, 192, 194, 196	10250.....	198, 199	10508SS.....	179, 182, 190, 196
10095.....	179, 190	10252.....	198, 199	10520PL.....	188
10099.....	192	10253.....	198, 199	10521NP.....	188
10099-002.....	192	10254.....	175, 180, 182, 194, 196	10523NY-003.....	198, 199
100AV-12.....	166	10259.....	199	10523NY-004.....	199
100AV-15.....	166	10259-C.....	199	10524PL-001.....	198, 199
100AV-17.....	166	10259-CS.....	199	10525AL.....	182, 196
10100.....	192	10259-S.....	199	10526AL.....	182, 196
10101.....	192	10260.....	198, 199	10527CK.....	182, 196
10102.....	197	10264.....	190, 192	10529AC.....	182, 196
10103.....	175, 176, 179, 180, 182, 184, 185, 186, 187, 188, 189, 190, 194, 196	10283.....	192	10530SS.....	182, 196
10105.....	180, 182, 194, 196	10285-003.....	198	10531AL.....	196
10106.....	192	10290.....	199	10540SS.....	186
10107A.....	185	10290-002.....	198	10541AL.....	186
10109-PP.....	183	10290-S.....	199	10542BN.....	186
10110.....	175, 180, 182, 187, 188, 194, 196	10343.....	184, 186	10550SS.....	198, 199
10111.....	157, 175, 180, 182, 183, 185, 187, 188, 194, 196	10347.....	184, 186	10554SS.....	186
10119.....	179, 182, 190, 196	10356.....	176, 187, 188, 189	10558AL.....	182, 196
10120.....	179, 190	10357.....	187	10562.....	197
10121.....	179, 182, 190, 196	10358.....	176, 188, 189	10596PLAC.....	175
10122.....	190	10364AL-001.....	180, 194	10597CK.....	175
10123.....	179, 190, 197	10365AL.....	180, 194	10598AL.....	175
10124.....	183, 185	10366HC-001.....	192	10599AL.....	175
10125.....	183, 185	10366HC-002.....	192	10600AL.....	175
10126.....	183, 185	10366SS-001.....	175, 180, 182, 192, 194, 196	10601.....	175
10128.....	183, 185	10366SS-002.....	175, 180, 182, 192, 194, 196	10602BR.....	175
10131.....	187, 188	10367CK.....	180, 194	10603BR.....	175
10134.....	184, 186	10368SS... 175, 180, 182, 192, 194, 196	180, 194	10605PL.....	177, 179, 180, 182, 77
10136.....	187, 188	10369VY.....	180, 182, 194, 196	10606AC-002.....	175
10139.....	175, 176, 182, 194, 196	10370SS.....	180, 182, 194, 196	10612.....	175
10142.....	187	10372.....	175, 194	10616PLBN.....	175, 176
10143.....	188	10373AL.....	175, 180, 182, 194, 196	10621AL.....	175, 180, 182, 194, 196
10183.....	185	10374AL.....	175, 180, 182, 194, 196	10622.....	86
10183-PandP.....	183	10375SS.....	175, 176, 180, 182, 184, 186, 189, 192, 194	10638.....	183, 184
10185.....	183, 185	10376SS.....	175, 180, 182, 184, 186, 192, 194, 196	10639.....	176
10196.....	175, 176, 188, 189	10377SS.....	180, 182, 194, 196	10688.....	77
		10382SS.....	175, 180, 182, 194, 196	10690PL-001.....	192
		10387-20.....	194	10715NP.....	198, 199
		10387P-20.....	179, 180, 182	10716ST.....	198, 199
		10387P-TH.....	177	10717SS.....	198, 199
		10430AL.....	176, 189	10718PLUG.....	199
		10431AL.....	192	10718SS.....	199
		10432NP.....	175, 176, 189	10735-002.....	175
				10765SS.....	111
				10841SS.....	183, 185
				110088.....	166
				110319.....	130

110601.....	127	111729.....	125	112355.....	112
110691.....	135	111730.....	125	112356.....	112
110717.....	139	111733.....	134	112357.....	112
110746.....	164, 166	111SS3.....	140	112363.....	112
110748.....	133	1120.....	7	112364.....	112
110755.....	140, 142	1120.....	7	112365.....	112
110798.....	164, 166	1120/xx.....	7	112366.....	112
110892.....	135	1120/5.....	7	112370.....	142
110897.....	140	1120/6.....	7	112416.....	135
110928.....	140	1120/7.....	7	1125A.....	164, 58, 59
110977.....	106, 110	1120/8.....	7	1125A-125NPT.....	58
110978.....	106, 110	1120/9.....	7	1125B.....	164, 58
111111.....	21	1120/10.....	7	112D.....	58
111131.....	21	1120/11.....	7	112DAL-9.....	164
111141.....	21	1120/12.....	7	112DNS.....	58
111161.....	21	1120/13.....	7	112DSK.....	164
111196.....	140	1120/14.....	7	113111.....	21
111215.....	109	1120/15.....	7	113131.....	21
111321.....	107	1120/16.....	7	114/2D-TK.....	164, 166
111324.....	107	1120/17.....	7	1143A.....	165, 58, 59
111325.....	107	1120/18.....	7	1143B.....	165, 58
111326.....	107	1120/19.....	7	114D.....	58
111430.....	106	1120/20.....	7	114D-AV.....	61
111443.....	107	1120/21.....	7	114D-AV-06ASM.....	61
111485.....	107	1120/22.....	7	114DAL-10.....	164, 165, 166
111542.....	118	1120/23.....	7	114DAL-2.....	165
111550.....	118	1120/24.....	7	114DAL-3.....	166
111552.....	118	1120/25.....	7	114DAL-4.....	166
111553.....	118, 141	112012.....	124, 125, 127	114DAL-AV-19.....	164, 166
111554.....	118	112024.....	141	114DAL-AV-20.....	166
111556.....	118	112028.....	123	114DAL-AV-22.....	166
111557.....	118	112044.....	134	114DAVR.....	61
111559.....	118	112052.....	121	114DNS.....	58
111560.....	118	112053.....	121	114DSK.....	165
111561.....	118	112055.....	123	1200SK.....	169
111562.....	118, 134	112056.....	123	1250-2.....	167
111563.....	118	112097.....	123	1250-3.....	167
111564.....	118	112098.....	123	1250-94.....	58
111565.....	118	112099.....	167	1250SK.....	167
111566.....	118	112138-L.....	129	1250TK.....	167
111569.....	118	112242.....	125, 130	1500SK.....	169
111570.....	134	112245.....	129	1518R.....	198
111572.....	134	112254.....	106	1565U.....	61
111573.....	118	112257.....	102, 108	1570RK.....	169
111574.....	118	112257.....	102, 108	15S.....	46
111575.....	134	112260.....	140	1WAYBV200.....	47
111579.....	118	112261.....	140	1WAYBV200SW.....	47
111580.....	118	112262.....	135	1WAYBV200VIC.....	47
111679.....	137	112263.....	135	1WAYBV300.....	47
111680.....	137	112264.....	135	1WAYBV300SW.....	47
111681.....	137	112269.....	133	1WAYBV300VIC.....	47
111683.....	137	112270.....	133, 134	1WAYBV400.....	47
111686.....	137	112271.....	134	2-3-213.....	112
111687.....	137	112291.....	110	2-3-400-99-BPKIT.....	112
111689.....	138	112293.....	110	2-400-1500.....	17
111692.....	123, 137	112295.....	110	2-400-422237F.....	112
111693.....	137	112296.....	110	2-400-422240.....	112
111694.....	137	112318.....	112	2-400-422500.....	112
111706.....	135	112321R.....	112	200-G-BU.....	149
111723.....	110, 127	112352.....	112	200-G-EPR.....	149
111727.....	125	112353.....	112	200-G-TES.....	149
111728.....	125, 130	112354.....	112	200-G-TFVI.....	149

200-G-VI.....	149	2182/12.....	4	2WAYBV300VIC3.....	47
200-PV-9.....	63	2182/13.....	4	2WAYBV400.....	47
2000L.....	63	2182/14.....	4	3-380-828501.....	18
206-1010.....	112	2182/15.....	4	3-390-209F.....	112
206-810.....	112	2182/16.....	4	3-400-422209F.....	112
2120.....	7	2182/17.....	4	3-400-422237F.....	112
2120.....	7	2182/19.....	4	3-400-422240.....	112
2120/xx.....	7	2182/21.....	4	3-400-422500.....	112
2120/5.....	7	2182/22.....	4	3-400-422501.....	112
2120/6.....	7	2182/23.....	4	3-480-1500.....	17
2120/7.....	7	2182/24.....	4	3-480-3501.....	18
2120/8.....	7	2182/25.....	4	3/8 INSERT.....	113
2120/9.....	7	2182/5.....	4	3/8 RETAINERBOLT.....	113
2120/10.....	7	2182/6.....	4	3/8 T-BOLT.....	113
2120/11.....	7	2182/7.....	4	300-ALT-AL.....	24, 35
2120/12.....	7	2182/8.....	4	300-BK.....	106, 107
2120/13.....	7	2182/9.....	4	300-BSPK.....	106, 107
2120/14.....	7	2182/10.....	4	300-BSPK.....	106, 107
2120/15.....	7	2182F/18.....	4	300-DC-ALPH.....	31
2120/16.....	7	2182F/20.....	4	300-DLT-AL.....	24, 35
2120/17.....	7	2182F/xx.....	4	300-DP-ALPH.....	31
2120/18.....	7	2182F/11.....	4	300-G-BF.....	123
2120/19.....	7	2182F/12.....	4	300-G-BU.....	136
2120/20.....	7	2182F/13.....	4	300-HR-BR.....	110, 135, 143
2120/21.....	7	2182F/14.....	4	300-HRP-BR.....	119, 121, 122, 123, 136
2120/22.....	7	2182F/15.....	4	300-K.....	106, 107
2120/23.....	7	2182F/16.....	4	300-SK.....	106, 107
2120/24.....	7	2182F/17.....	4	300-SPK.....	106, 107
2120/25.....	7	2182F/19.....	4	300-SPK.....	106, 107
2180.....	7	2182F/21.....	4	300-SSPK.....	106, 107
2180.....	7	2182F/22.....	4	300-SSPK.....	106, 107
2180/15.....	5	2182F/23.....	4	3000-4.....	106, 107
2180/18.....	5	2182F/24.....	4	3000-5.....	106, 107
2180/xx.....	5	2182F/25.....	4	3000CAP.....	107
2180/4.....	5	2182F/5.....	4	300GDBSQCB.....	10
2180/5.....	5	2182F/6.....	4	300GDBSQE.....	10
2180/6.....	5	2182F/7.....	4	300GDBSQK.....	10
2180/7.....	5	2182F/8.....	4	300GTTFBL.....	36
2180/8.....	5	2182F/9.....	4	300GTTFCB.....	10, 36
2180/9.....	5	2182RK15.....	101	300GTTFK.....	10, 36
2180/10.....	5	2182RK18.....	101	300GTTFTK.....	10
2180/11.....	5	218RK15.....	103	3020C.....	107
2180/12.....	5	218RK18.....	103	3020CS.....	107
2180/13.....	5	234-80-4.....	167, 60	3020CS.....	107
2180/14.....	5	234-80-5.....	167, 60	3020FA.....	107
2180/16.....	5	241667.....	123	3020FA.....	107
2180/17.....	5	241964.....	123	3020SQ.....	11
2180/19.....	5	242028.....	123	3020TE.....	11
2180/20.....	5	242055.....	123	3030HK.....	102, 108, 109
2180/21.....	5	250-G-BU.....	151, 152, 157	3030HK.....	102, 108, 109
2180/22.....	5	250-G-EPR.....	151, 152	3030RD.....	11
2180/23.....	5	250-G-TES.....	151, 152, 157	3030RD-SSP.....	11
2180/24.....	5	250-G-TEV.....	152	3030RK3.....	102, 108, 109
2180/25.....	5	250-G-TFVI.....	151	3030RK3.....	102, 108, 109
2180B/15.....	5	250-G-VI.....	151, 152, 157	3030SK.....	102, 108, 109, 9
2180V/15.....	5	2500L.....	63	3030SK.....	102, 108, 109
2182.....	7	2500SFV.....	63	3030SK.....	102, 108
2182.....	7	2WAYBV200.....	47	3030SQ.....	11
2182/18.....	4	2WAYBV200SW.....	47	3030SQ-SSP.....	11
2182/20.....	4	2WAYBV200VIC3.....	47	3030TE.....	11
2182/xx.....	4	2WAYBV300.....	47	3030TE-SSP.....	11
2182/11.....	4	2WAYBV300SW.....	47	3030VIC-SSP.....	11

3031RD	11	3180/9.....	5	390798.....	102, 108, 109
3031SQ	11	3180/10.....	5	390798.....	102, 108
3031TE	11	3180/11.....	5	390799.....	102, 108, 109
3031VIC.....	11	3180/12.....	5	390799.....	102, 108
3040ALTAL	24, 35	3180/13.....	5	390812.....	118
3040DLTAL	24, 35	3180/14.....	5	390813.....	118
3090F	9	3180/15.....	5	390815.....	118
3090M.....	9	3180/16.....	5	390822.....	137, 138
3090MA	9	3180/17.....	5	390826.....	137
3090MA-DC.....	9	3180/18.....	5	390841.....	125
3090MADC-82/18.....	9	3180/19.....	5	390842.....	131
3090MADC-82/18A.....	9	3180/20.....	5	390843.....	123
3090MADC-82/20.....	9	3180/21.....	5	390844.....	123
3090MADC-82/20A.....	9	3180/22.....	5	390846.....	109
3090MAS	9	3180/23.....	5	390847.....	109
3090MB	9	3180/24.....	5	390911 spacer.....	110
3090MBS.....	9	3180/25.....	5	391137.....	59
3090MS	9	3180/28.....	5	391149.....	123
3090RK1.....	102, 9	325-P.....	110, 135, 143	391848.....	140
3090RK1.....	102	340039.....	109	391858.....	140
3090RK1.....	102	340164.....	164	391859.....	123
3090RK2.....	102, 108	340165.....	166	391860.....	135
3090RK2.....	102, 108	340304.....	135	391862.....	110
3091MA	9	340331.....	135	391868.....	135
3091MB	9	341228.....	110	4-380-828U501.....	18
3091MBS.....	9	341351.....	106	4-390-209U.....	112
3091RK1.....	102, 108	341595.....	102, 108, 109	4-400-422209U.....	112
3091RK1.....	102, 108	341595.....	102, 108	4-400-422237U.....	112
3091RK2.....	102	341611.....	102, 108	4-400-422240	112
3091RK2.....	102	341611.....	102, 108	4-400-422500	112
3120.....	7	341641.....	138	4-400-422501	112
3120.....	7	341643.....	137	4-480-1500	17
3120/xx.....	7	341709.....	125	4-480-3501	18
3120/5.....	7	341755.....	118	4-5-6-213.....	112
3120/6.....	7	341756.....	118	4-6-400-99-BPKIT	112
3120/7.....	7	341784.....	130	400-ALT-AL.....	24, 35
3120/8.....	7	341801.....	118	400-AS-AL	25
3120/9.....	7	341818.....	135	400-CVR-AL	44
3120/10.....	7	341819.....	135	400-DC-ALPH.....	143, 31
3120/11.....	7	341820.....	135	400-DDVR-AL.....	44
3120/12.....	7	341827.....	134	400-DLT-AL.....	24, 35
3120/13.....	7	341841.....	110	400-DP-ALPH.....	31
3120/14.....	7	341842.....	110	400-DVR-AL	44
3120/15.....	7	341870.....	135	400-G-BF.....	121, 122, 123
3120/16.....	7	3533AA.....	13	400-G-BU	110, 132, 135, 136, 143, 25
3120/17.....	7	3533CA.....	13	40001AL	144
3120/18.....	7	3533CC	13	40001SS.....	144
3120/19.....	7	3534AA.....	13	40001ZA.....	144
3120/20.....	7	3534CA.....	13	40002AL	144
3120/21.....	7	3543CA.....	13	40002SS.....	144
3120/22.....	7	3543CC	13	40003AL	144
3120/23.....	7	3544AA.....	13	40003SS.....	144
3120/24.....	7	3544CA.....	13	40004SS.....	144, 146, 147
3120/25.....	7	3544CC	13	40005BR.....	144
31440-225AL	32	363000-10	106	40005SS-001.....	144
3180.....	7	390104.....	140	40005SS-002.....	144
3180.....	7	390105.....	140	40006BN.....	147
3180/xx.....	5	390146.....	135	40006EP.....	147
3180/5.....	5	390552.....	139	40006KR.....	147
3180/6.....	5	390564.....	122	40006TS.....	146, 147
3180/7.....	5	390777.....	107	40006VI	147
3180/8.....	5	390784.....	107	40022ALTAL	24, 35

40022DLTAL.....	24, 35	40114SS.....	149	40164SS.....	160
400460.....	126	40115SS.....	149	40166VY.....	160
40048WI.....	45	40116SS.....	149	40167AL.....	160, 163
40053SS.....	159	40117ALBN.....	149	40168SS.....	151, 152, 157
40054BR.....	159	40117ALEP.....	149	40169SS.....	149
40055SS.....	159	40117ALVI.....	149	40170TF.....	151, 152, 157
40056SS.....	159	40117SSBN.....	150	40171TF.....	149
400588.....	126	40117SSEP.....	150	40175SS.....	146
400636.....	137	40117SSVI.....	150	40180AL.....	145
400637.....	131	40118SS.....	149	40180SS.....	145
40074SS.....	149, 152, 157	40119TF.....	149	40180ZA.....	145
40075TF.....	149, 152, 157	40120BN.....	149	40181AL.....	145
40076BN.....	149, 152, 157	40120EP.....	149	40181SS.....	145
40076EP.....	149, 152	40120KR.....	149	40182AL.....	145
40076KR.....	149, 152, 157	40120TS.....	149	40182SS.....	145
40076VI.....	149, 152, 157	40120TV.....	149	40183BR.....	145
40077TF.....	149, 152, 157	40120VI.....	149	40183SS.....	145
40078FG.....	149, 152, 157	40122TF.....	149	40184SS.....	145, 147
40079SS.....	149, 152, 157	40124SS.....	149	40185BN.....	147
40080SS.....	149, 152, 157	40125SS.....	149	40185EP.....	147
40081ALBN.....	151, 157	40129AL.....	144	40185KR.....	147
40081ALEP.....	151	40129SS.....	144	40185TS.....	147
40081ALVI.....	151, 157	40129ZA.....	144	40185VI.....	147
40081SSBN.....	152	40130AL.....	144	40187SSSS.....	146
40081SSEP.....	152	40130SS.....	144	40190TF.....	146, 186
40081SSVI.....	152	40131AL.....	144	40191TF.....	146
40082TF.....	149, 152, 157	40131SS.....	144	40192SS.....	146
40083SS.....	151, 152, 157	40132SS.....	144	40193AL.....	44
40084TF.....	151, 152, 157	40133BR.....	144	40195SS.....	154
40085BN.....	151, 152, 157	40133SS-001.....	144	40196SS.....	154
40085EP.....	151, 152	40133SS-002.....	144	40197ALBN.....	154
40085KR.....	151, 152	40134BN.....	147	40197ALVI.....	154
40085TS.....	151, 152, 157	40134EP.....	147	40197SSEP.....	154
40085TV.....	151, 152	40134KR.....	147	40197SSVB.....	154
40085VI.....	151, 152, 157	40134TS.....	147	40198TF.....	154
40086SS.....	149, 152, 157	40134VI.....	147	4020-CVR-AL.....	44
40087SS.....	149, 152, 154, 157	40138SS.....	160	40200AL.....	154
40088SS.....	149, 152, 157, 163	40139SS.....	160	40201TF.....	154
40089SS.....	149, 152, 157	40140SS.....	160	40202SS.....	154
40090BN.....	183, 185	40141SS.....	160	40203SS.....	154
40091SS.....	151, 152, 157	40142SS.....	160	40204SS.....	154
40092SS.....	151, 152, 157	40143SS.....	160	40205SS.....	154
40093SS.....	151, 152, 157	40144SS.....	160	40206SS.....	154
40094SS.....	149, 152, 157	40145SS.....	160	40207SS.....	154
40095TF.....	151, 152, 157	40146HC.....	160	40208SS.....	154
40096SS.....	152	40147CA.....	160	40209SS.....	154
40097SS.....	151, 152, 157	40148SS.....	160	40210SS.....	154
40098SS.....	151, 152, 157	40149SS.....	160	40211TF.....	154
40099SS.....	149, 152, 157, 186	40150BN.....	160	40212SS.....	154
400AWSPAL.....	39	40150VI.....	160	40213FG.....	154
400GAGFI.....	25	40151SS.....	160	40214SS.....	154
400GTTFBL.....	36	40152SS.....	160, 163	40215SS.....	135
400GTTFCB.....	10, 36	40153SS.....	160	40216SS.....	154
400GTTFK.....	10, 36	40154SS.....	160	40217SS.....	154
400GTTFTK.....	10	40155SS.....	160, 163	40218SS.....	135, 154
40100SS.....	149, 152, 157	40158ST.....	113, 163	40219TF.....	154
40101SS.....	149, 152, 157	40159SS.....	160	40221SS.....	154
40106AC.....	157	40160SS.....	160	40222TV.....	154
40108AC.....	157	40162BN.....	160	40223BN.....	154
40109AC.....	157	40162VI.....	160	40223EP.....	154
40110ST.....	157	40163BN.....	160	40223KR.....	154
40111SS.....	157	40163VI.....	160	40223VB.....	154

40223VI.....	154	40341SS.....	147	4066.....	132
40224BN.....	154	40342SSSS.....	147	4068.....	132
40224EP.....	154	40343TF.....	147	4071.....	132
40224KR.....	154	40344SS.....	147	407119.....	166
40224TS.....	154	40347SSSS.....	147	4111.....	21
40224TV.....	154	40359SSSS.....	147	4111.....	21
40224VB.....	154	40360SS.....	147	4121.....	21
40224VI.....	154	40361SS.....	147	4121.....	21
40235TF.....	154	40362TF.....	147	4122.....	21
40246SS.....	163	40364BL.....	36	4122.....	21
40247HC.....	163	40364TF.....	36	4123.....	21
40248CA.....	163	40393AL.....	113	4123.....	21
40249SS.....	163	40393I.....	113	4124.....	21
40250SS.....	163	40394AL.....	113	4124.....	21
40251SS.....	163	40396NY.....	111	4125.....	21
40252SS.....	163	40397AL.....	111	4125.....	21
40253AL.....	163	40398BN.....	111	4126B.....	21
40254SS.....	163	40402SS.....	113	4126B.....	21
40255SS.....	163	40403I.....	113	4127.....	21
40256SS.....	163	4040RD.....	11	4127.....	21
40257ST.....	163	4040RK1.....	109	4129.....	21
40258SS.....	163	4040RK1.....	109	4129.....	21
40259BR.....	163	4040TE.....	11	4130.....	21
40260SS.....	163	40419SS.....	123	4130.....	21
40261SS.....	163	4041RD.....	11	4134.....	21
40262SS.....	163	4041RK1.....	109	4134.....	21
40263SS.....	113, 163	4041RK3.....	109	4135.....	21
40264SS.....	163	4041RK3.....	109	4135.....	21
40265NY.....	163	4041TE.....	11	4137.....	21
40266FL.....	163	40420SS.....	123	4139.....	21
40267SS.....	163	40427SS.....	111	4139.....	21
40268BR.....	163	40428SS.....	111	41440-225AL.....	32
40269VY.....	163	40429SS.....	111	4149.....	21
40270SS.....	163	4042RD.....	11	4149.....	21
40271SS.....	163	4042RK1.....	109	4155.....	21
40272SS.....	163	4042TE.....	11	4155.....	21
40273BN.....	163	40430SS.....	111	4157.....	21
40273VI.....	163	40431SS.....	111	4157.....	21
40274BN.....	163	40432.....	111	4159.....	21
40274VI.....	163	40435SS.....	113	4159.....	21
40275BN.....	163	40436SS.....	113	4167.....	21
40275VI.....	163	40437SS.....	113	4167.....	21
40276BN.....	163	40438SS.....	113	4400SGK.....	122
40276VI.....	163	40439SS.....	113	4400SGK-V.....	122
40278AL.....	159	40440SS.....	113	4426.....	122, 125
40278BR.....	159	40441BN.....	113	4427.....	122
40279AL.....	159	40442SS.....	113	4432.....	127
40279BR.....	159	40443SS.....	113	4433.....	122, 125
40280AL.....	159	40444BR.....	113	4443.....	23, 36
40280BR.....	159	40445SS.....	113	4500-5.....	119, 121, 122
40281SS.....	159	40447ST.....	32	4500-7.....	119, 121, 122
40285SSSS.....	154	40453SS.....	113	4500RK.....	119, 121, 122
4030-CVR-AL.....	44	40454SS.....	113	4500RK-V.....	119, 121, 122
4030-DAVR-AL.....	44	40455SS.....	113	4501.....	31
4030-DVR-AL.....	44	40456SS.....	113	4502.....	31
40303AL.....	144	40462VY.....	34	4502ASSM.....	31
40304SS.....	154	40464BN.....	16	4502SGK.....	122
40305TF.....	154	40466SS.....	16	4502SGK-V.....	122
40321TF.....	10, 36	4050AL.....	132	4503.....	31
40322TF.....	10, 36	40530AL.....	85	4504.....	31
40323BL.....	36	4062AL.....	132	4504ASSM.....	31
40323TF.....	36	4063.....	132	4530.....	31

4530SG	31	5000AIRSK.....	140	5204NGV.....	118, 30
4540.....	31	5000AIS.....	45	5204P.....	30
4540DC	32	5000AISHD.....	45	5204SFI.....	30
4540DC-1200	32	5000AISK	141, 142	5204SFI-P	30
4540F	31	5000AIST.....	45	5204SNG.....	118, 30
4540SG	31	5000AISTHD	45	5204TNG.....	118, 30
4540SG-RK1	121	5000AIV.....	45	5205.....	31
4540SG-RK2	121	5000AIVHD.....	45	5205-RK1	119
4540SG-RK2-V.....	121	5000AIVS	45	5205-RK2	119
4540SG-RK3	121	5000S	141, 45	5205-RK3	119
4540SGV.....	31	5000ST	141	5205-RK4	119, 121
4540V	31	5000STHD.....	141	525AV	169
4621.....	21	5006AIHD	143, 45	5300.....	54
4621.....	21	5006AIHDSK	143	5300B.....	54
4622.....	21	5006AIRHD	143, 45	5300BC.....	54
4622.....	21	5006AIRHDSK.....	143	5300BCL.....	54
4623.....	21	5006AISTHD	143	5300G.....	54
4623.....	21	5006AIVHD.....	143, 45	5300GC.....	54
47-48	64	500K	169	5354K1	116
49.....	64	5012.....	21	5354K10	116
4A-400-1500.....	17	5012.....	21	5354K11	116
4A-400-3501.....	18	5050.....	21	5354K12	116
4A-400-422209U	112	5050.....	21	5354K13	116
4A-400-422237U	112	5052.....	21	5354K14	116
4A-400-422500.....	112	5052.....	21	5354K15	116
4A-400-422501.....	112	5200-SFI.....	33	5354K16	116
4A-480-1500.....	17	5200-SFI-3.....	33	5354K17	116
4A-480-3501.....	18	5200-SFI-3-RK1	123	5354K18	116
4X4-BD TEE	20	5200-SFI-3V-RK1	123	5354K19	116
4X4-BD TEE-E	20	5200-SFI-RK1.....	123	5354K2	116
4x4-BD GASKET	113	5200-SFIV	33	5354K20	116
4x4-S TEE	20	5200-SFIV-RK1	123	5354K21	116
4X4-S TEE-E	20	5200C-SFI	33	5354K22	116
4x4BD DOOR.....	113	5200C-SFI-3.....	33	5354K25	116
4x4BD DOORASBLY.....	113	5201-SFI.....	34	5354K3	116
5-380-828U501.....	18	5201-SFI-3-RK1	123	5354K4	116
5-390-209U.....	112	5201-SFI-RK1.....	123	5354K5	116
5-400-422209U.....	112	5201CA.....	34	5354K6	116
5-400-422237U.....	112	5201CA-3	34	5354K7	116
5-400-422240	112	5201CC	34	5354K8	116
5-400-422500	112	5204.....	118, 30	5354K9	116
5-400-422501	112	5204-SP.....	118	5354P1	54
5-480-1500	17	5204C	118, 30	5400.....	54
5-480-3501	18	5204H.....	54	5400B	54
5-RF.....	113	5204K1	118	5400G.....	54
500-7A2	167	5204K11	117, 118	5x4 WING.....	113
5000-24	119, 31	5204K12	117, 118, 134	5x4-BD GASKET	113
5000-24L	31	5204K13	117, 118	5X4-BD TEE-E	20
5000-25	31	5204K2	117	5X4-S TEE-E	20
5000AI	45	5204K3	117, 118	5X4-BD TEE-E	20
5000AI-2.....	142	5204K5	117, 118	5X4-VRBD TEE	20
5000AI-5.....	142	5204K6	117, 118	5X4-VRBD TEE-E	20
5000AIHD.....	45	5204K7	117, 118	5X4 VRBD TEE-K.....	20
5000AIHDRK1	141	5204K8	117, 118, 134	5X4-VRST TEE K.....	20
5000AIHDSK	141, 142	5204K9	117	5X4-VRST TEE-E	20
5000AIHK	140, 141, 142	5204KV1.....	118	5x4BD DOORASBLY.....	113
5000AIR.....	45	5204KV2.....	117	6-380-828U501.....	18
5000AIRHD	45	5204L.....	118, 30	6-390-209U.....	112
5000AIRHDSK.....	140	5204LNG	118, 30	6-390-393501	112
5000AIRK1	141	5204LSNG.....	30	6-400-3501	18
5000AIRK2	141	5204NG	118, 30	6-400-422209U.....	112
5000AIRRK1.....	140	5204NGC.....	118, 30	6-400-422237U.....	112

6-400-422240	112	6400-1	127	A2180/12ADJ	6
6-400-422500	112	6400-4	127, 39	A2180/13ADJ	6
6-400-422501	112	6400-DTK	127	A2180/14ADJ	6
6-480-1500	17	6400ARK	127	A2180/15ADJ	6
6-480-3501	18	6400EXT	39	A2180/16ADJ	6
6-99-400BPKIT	112	6400EXT-3	127	A2180/17ADJ	6
600-ALT-AL	24, 35	6400F	40	A2180/18ADJ	6
600-DLT-AL	24, 35	6400FNPT	40	A2180/19ADJ	6
6000-10	110	6400SGK	106, 127	A2180/20ADJ	6
6000-12	118, 131	6400X	40	A2180/21ADJ	6
6000-13	124, 131	6400XF	40	A2180/22ADJ	6
6000-14	38, 42	6400XFNPT	40	A2180/23ADJ	6
6000-14C	127, 39	6430	40	A2180/24ADJ	6
6000-15	38, 42	6430F	40	A2180/25ADJ	6
6000-15C	127, 39	6430X	40	A2180/30ADJ	6
6000-16	102, 38, 9	6430XF	40	A2180ADJ	7
6000-16	102, 38	6500	37	A2180ADJ	7
6000-16	102	6500-RK1	125	A2182	7
6000-16C	127, 39	6500A	37	A2182	7
6000-17	102, 38, 42, 9	6500AHK	125	A3180/xxADJ	6
6000-17	102, 38, 42	6500B	37	A3180/5ADJ	6
6000-17	102	6500C	37	A3180/6ADJ	6
6000-17C	127, 39	6500D	37	A3180/7ADJ	6
6000-18	106	6500X	37	A3180/8ADJ	6
6000-19	106, 110	6500XA	37	A3180/9ADJ	6
6000-20	102, 38, 9	6500XB	37	A3180/10ADJ	6
6000-20	102, 38	6500XC	37	A3180/11ADJ	6
6000-20	102	6500XD	37	A3180/12ADJ	6
6000-23	106	6544CA-1	106, 127	A3180/13ADJ	6
6000-24	106	6x4 WING	113	A3180/14ADJ	6
6000-26C	127, 39	6x4-BD GASKET	113	A3180/15ADJ	6
6000-7	124	6X4-BD TEE	20	A3180/16ADJ	6
6000-8	124, 131	6X4-S TEE-E	20	A3180/17ADJ	6
6000-9	124, 125, 127	6x4BD DOORASBLY	113	A3180/18ADJ	6
6000-SSA	39	8-400-1500	17	A3180/19ADJ	6
6000AS	38	8-400-4222370	112	A3180/20ADJ	6
6000ASA	38	8-400-422500	112	A3180/21ADJ	6
6000ASAL	38	875-3	167	A3180/22ADJ	6
6000ASAT	38	875-4	167, 60	A3180/23ADJ	6
6000ASB	38	875-5	167, 60	A3180/25ADJ	6
6000ASC	38	8x4 WING	113	A3180ADJ	7
6000ASD	38	8x4-BD GASKET	113	A3180ADJ	7
6000ASK	128	8x4BD DOOR	113	A38	64
6000ASR	128, 38	8x4BD DOORASBLY	113	A712	56
6000AST	38	900	60	A7125	56
6000EHK	124, 127, 128, 130	900B	60	A713	56
6000EXT	39	900B34	60	A714	56
6000F	38	900RB	167	A715	56
6000NPHK	102, 123, 129, 130	900S	60	A716	56
6000NPHK	102	900S34	60	ACAR34BZ	121, 122
6000SSHK	128	900SK	167	ADS400	25
6030	124, 126	900TK	167	AL4051-BORE	39
6030AS	128	900W34B	60	AS156	106, 110, 124, 125, 126
6230	125, 127	900W34S	60	AVN2000-200	56
6230X	125, 127	A2180/xxADJ	6	AVN2500-200	56
6300-3	126	A2180/5ADJ	6	AVN3000-200	56
6303	38	A2180/6ADJ	6	AVN4000-200	56
6303NPT	38	A2180/7ADJ	6	BA31-200	52
6304	38	A2180/8ADJ	6	BA31-200RK1	159
6304-1	126	A2180/9ADJ	6	BA31-300	52
6304NPT	38	A2180/10ADJ	6	BA31-300RK1	159
6400	40	A2180/11ADJ	6	BA32-200	52

BA32-200RK1.....	159	D2C74-150.....	51	DB610TI-VXT.....	20
BA32-300.....	52	D2C74-200.....	51	DB610TI-VXP.....	20
BA32-300RK1.....	159	DAB1.....	62	DB610TI-VXV.....	20
BA61-300.....	52	DAB14.....	62	DB9000.....	22
BA62-300.....	52	DAB15.....	62	DB9001.....	22
BC61-200.....	52	DAB2.....	62	DBA11-150.....	48
BC62-200.....	52	DAB34.....	62	DBA11-1520.....	49
BD BOLTS.....	113	DAC1034.....	62	DBA11-200.....	48
BD WINGNUT.....	113	DAC3434.....	62	DBA11-300.....	48
BL-RK10.....	170	DAWS10.....	61	DBA12-150.....	48
BL-RK102.....	172	DAWS34.....	61	DBA12-1520.....	49
BL-RK11.....	170	DB1000.....	13	DBA12-200.....	48
BL-RK112.....	172	DB1000-SFI.....	13	DBA12-300.....	48
BL-RK12.....	170	DB206-1010.....	18	DBA61-200.....	48
BL-RK122.....	172	DB206-46-5.....	112, 18, 19	DBA62-200.....	48
BL-RK13.....	170	DB206-810.....	18	DBA63-150.....	48
BL-RK4.....	170	DB237-23-10.....	112, 18	DBA63-200.....	48
BL-RK42.....	172	DB237-46-10.....	112, 18	DBA63-300.....	48
BL001.....	59	DB3-400-1500.....	17	DBA64-150.....	48
BL002.....	59	DB3-400-3501.....	18	DBA64-200.....	48
BL005.....	170, 59	DB3-900-150.....	19	DBA64-300.....	48
BL062.....	59	DB3-900-301.....	19	DBA66-150.....	48
BL064.....	59	DB3-900-501.....	19	DBA66-200.....	48
BL066.....	59	DB300PMB.....	45	DBA66-300.....	48
BL066NS.....	59	DB4-400-1500.....	17	DBA67-150.....	48
BL068.....	59	DB4-400-3501.....	18	DBA67-200.....	48
BL068NS.....	59	DB4-900-150.....	19	DBA67-300.....	48
BL072.....	59	DB4-900-301.....	19	DBA69-300.....	48
BL072NS.....	59	DB4-900-501.....	19	DBA71-150.....	48
BL918.....	59	DB400-206-65.....	112	DBA71-200.....	48
BL919.....	59	DB400-237-610.....	112	DBA71-300.....	48
BL920.....	59	DB400PMB.....	45	DBA72-150.....	48
BLACK BUTTON INSERT.....	175, 178, 180, 182, 192, 194, 196, 198, 199	DB5-400-1500.....	17	DBA72-200.....	48
BS61-200.....	52	DB5-400-3501.....	18	DBA72-300.....	48
BS61-200RK1.....	161	DB5-900-150.....	19	DBA73-150.....	48
BS61-200RK2.....	161	DB5-900-301.....	19	DBA73-200.....	48
BS61-300.....	52	DB5-900-501.....	19	DBA73-300.....	48
BS61-300RK1.....	163	DB500LTA.....	20	DBA74-150.....	48
BS61-300RK2.....	163	DB500TA.....	20	DBA74-200.....	48
BS62-200.....	52	DB500TI.....	20	DBA74-300.....	48
BS62-200RK1.....	161	DB500TI-PXV.....	20	DBA76-150.....	48
BS62-200RK2.....	161	DB500TI-VXV.....	20	DBA76-200.....	48
BS62-300.....	52	DB510RK.....	113, 20	DBA76-300.....	48
BS62-300RK1.....	163	DB510TA.....	20	DBA77-150.....	48
BS62-300RK2.....	163	DB510TI.....	20	DBA77-200.....	48
BSS4051.....	41	DB510TI-PXC.....	20	DBA77-300.....	48
BSS61-200.....	52	DB510TI-PXP.....	20	DBA78-200.....	48
BSS61-300.....	52	DB510TI-PxT.....	20	DBA79-300.....	48
BSS62-200.....	52	DB510TI-PXV.....	20	DBAF71-1520.....	49
BSS62-300.....	52	DB510TI-VXC.....	20	DBAF71-200.....	49
BY4051.....	41	DB510TI-VXP.....	20	DBAF71-300.....	49
BZ4051.....	41	DB510TI-VXT.....	20	DBAF72-1520.....	49
BZ4051S.....	41	DB6-400-1500.....	17	DBAF72-200.....	49
CAL15.....	5	DB6-900-150.....	19	DBAF72-300.....	49
CAL25.....	5	DB6-900-301.....	19	DBAF73-1520.....	49
D2C71-150.....	51	DB6-900-501.....	19	DBAF73-200.....	49
D2C71-200.....	51	DB600LTA.....	20	DBAF73-300.....	49
D2C72-150.....	51	DB600TA.....	20	DBAF74-1520.....	49
D2C72-200.....	51	DB605LTA.....	20	DBAF74-200.....	49
D2C73-150.....	51	DB610TI-PXP.....	20	DBAF74-300.....	49
D2C73-200.....	51	DB610TI-PXT.....	20	DBAF76-1520.....	49
		DB610TI-PXV.....	20	DBAF76-200.....	49

DBAF76-300.....	49	DBC73-200.....	50	DBCxx-300RK5.....	154
DBAF78-200.....	49	DBC73-300.....	50	DBCxx-300RK6.....	154
DBAK1-150.....	144, 145	DBC74-150.....	50	DBCxx-300RK7.....	154
DBAK1-200.....	144, 145	DBC74-150RK2.....	150	DBCxx-300RK8.....	154
DBAK1-300.....	145	DBC74-200.....	50	DBCxx-300RK9.....	154
DBAK2-150.....	144, 145	DBC74-200RK2.....	152	DBPCB400.....	16
DBAK2-200.....	144, 145	DBC74-300.....	50	DBPI080.....	34
DBAK2-300.....	145	DBC76-150.....	50	DBPI080-MINI.....	34
DBAK3-150.....	144, 145	DBC76-200.....	50	DBS61-200.....	50
DBAK3-200.....	144, 145	DBC76-300.....	50	DBS62-200.....	50
DBAK3-300.....	145	DBC77-150.....	50	DBS63-200.....	50
DBAK4-150.....	144, 145	DBC77-150-GL.....	50	DBV-BL200.....	55
DBAK4-200.....	144, 145	DBC77-200.....	50	DBV-BL300.....	55
DBAK4-300.....	145	DBC77-200-GL.....	50	DBV-BL400.....	55
DBAK6-150.....	144, 145	DBC77-300.....	50	DBV-BN200.....	14, 15, 55
DBAK6-200.....	144, 145	DBC78-200.....	50	DBV-BN300.....	14, 15, 55
DBAK6-300.....	145	DBC79-300.....	50	DBV-BN400.....	14, 15, 55
DBAK7-150.....	144, 145	DBCxG400.....	16	DBV-VB200.....	55
DBAK7-200.....	144, 145	DBCxG400-P.....	16	DBV-VB300.....	55
DBAK7-300.....	145	DBCxG400-PG.....	16	DBV-VB400.....	55
DBAK9-300.....	145	DBCL-200.....	149, 150, 151, 152, 51	DBV-WB400.....	14, 15
DBAV73-2030.....	49	DBCL-300.....	51	DEFN075.....	57
DBC61-150.....	50	DBCx1-150RK1.....	149, 150	DFN100.....	57
DBC61-150RK2.....	149	DBCx1-200RK1.....	151, 152	DFN100-NC.....	57
DBC61-200.....	50	DBCx1-300RK1.....	154	DFN100-NPNF.....	57
DBC61-200RK2.....	151	DBCx1-300RK3.....	154	DFN100F.....	57
DBC61-300.....	50	DBCx2-150RK1.....	149, 150	DFN100F-NC.....	57
DBC61-300RK2.....	154	DBCx2-200RK1.....	151, 152	DFN100F-NPNF.....	57
DBC62-150.....	50	DBCx2-300RK1.....	154	DFN100HF.....	57
DBC62-150RK2.....	149	DBCx2-300RK3.....	154	DFN100HF-NC.....	57
DBC62-200.....	50	DBCx3-150RK1.....	149, 150	DFN100HF-NPNF.....	57
DBC62-200RK2.....	151	DBCx3-150RK2.....	149, 150	DFN100SF.....	57
DBC62-300.....	50	DBCx3-200RK1.....	151, 152	DFN100SF-NC.....	57
DBC62-300RK2.....	154	DBCx3-200RK2.....	151, 152	DFN100SF-NPNF.....	57
DBC63-150.....	50	DBCx3-300RK1.....	154	DN7LOBF.....	56
DBC63-200.....	50	DBCx3-300RK2.....	154	DN7LOBF-NC.....	56
DBC63-300.....	50	DBCx3-300RK3.....	154	DN7LOBF-NPNF.....	56
DBC64-150.....	50	DBCx4-150RK1.....	149, 150	DN7UOBF.....	56
DBC64-150RK2.....	149	DBCx4-200RK1.....	151, 152	DN7UOBF-NC.....	56
DBC64-200.....	50	DBCx4-300RK1.....	154	DN7UOBF-NPNF.....	56
DBC64-200RK2.....	151	DBCx4-300RK3.....	154	DNOG5.....	58
DBC64-300.....	50	DBCx6-150RK1.....	149, 150	DNOG5-NL.....	58
DBC64-300RK2.....	154	DBCx6-200RK1.....	151, 152	DNOG6.....	58
DBC66-150.....	50	DBCx6-300RK1.....	154	FG4540.....	36
DBC66-200.....	50	DBCx7-150RK1.....	149, 150	FT100.....	185, 79
DBC66-300.....	50	DBCx7-200RK1.....	151, 152	FT100-12.....	185, 79
DBC67-150.....	50	DBCx7-300RK1.....	154	FT100-18.....	185, 79
DBC67-200.....	50	DBCx9-300RK1.....	154	FT1001.....	78
DBC67-300.....	50	DBCx9-300RK3.....	154	FT1001-12.....	78
DBC69-300.....	50	DBCxx-150RK4.....	149, 150	FT1002.....	78
DBC69-300RK2.....	154	DBCxx-150RK5.....	149, 150	FT1002-12.....	78
DBC71-150.....	50	DBCxx-150RK6.....	149, 150	FT1003.....	78
DBC71-150RK2.....	150	DBCxx-150RK7.....	149, 150	FT1003-12.....	78
DBC71-200.....	50	DBCxx-150RK8.....	149, 150	FT1004.....	78
DBC71-200RK2.....	152	DBCxx-150RK9.....	149, 150	FT1004-12.....	78
DBC71-300.....	50	DBCxx-200RK4.....	151, 152	FT1005.....	78
DBC72-150.....	50	DBCxx-200RK5.....	151, 152	FT1005-12.....	78
DBC72-150RK2.....	150	DBCxx-200RK6.....	151, 152	FT1006.....	78
DBC72-200.....	50	DBCxx-200RK7.....	151, 152	FT1006-12.....	78
DBC72-200RK2.....	152	DBCxx-200RK8.....	151, 152, 157	FT100S.....	186, 80
DBC72-300.....	50	DBCxx-200RK9.....	151, 152	FT101.....	79
DBC73-150.....	50	DBCxx-300RK4.....	154	FT101-12.....	79

FT101-18.....	79	FT208-390PPGT	68	FT2807	72
FT102	79	FT208-391P.....	68	FT2807-12.....	72
FT103	79	FT208-391PG.....	68	FT2808	72
FT150	185, 73	FT208-391PGS	68	FT2808-12.....	72
FT150-12.....	185, 73	FT208-391PGST	68	FT2811	72
FT150-12P.....	183	FT208-391PGT.....	68	FT2811-12	72
FT150-18.....	185, 73	FT208-391PP	68	FT2812	72
FT150-18P.....	183	FT208-391PPG	68	FT2812-12.....	72
FT150P.....	183, 70, 77	FT208-391PPGS	68	FT2813	72
FT150P-12.....	70, 77	FT208-391PPGST.....	68	FT2813-12.....	72
FT150P-18.....	70	FT208-391PPGT	68	FT2814	72
FT150S.....	186, 80	FT20800-EXT-25	71	FT2814-12.....	72
FT151	73	FT20800-EXT-2FT.....	71	FT2815	72
FT151-12.....	73	FT20800-EXT-36	71	FT2815-12.....	72
FT151-18.....	73	FT20800-EXT-8.....	71	FT2816	72
FT151P.....	70	FT20801	71	FT2816-12.....	72
FT151P-12.....	70	FT20801S.....	71	FT2817	72
FT151P-18.....	70	FT20801TWS	71	FT2817-12.....	72
FT151RL.....	77	FT20802	71	FT2818	72
FT151RL-12	77	FT20802S.....	71	FT2818-12.....	72
FT152	73	FT20802TWS	71	FT295	69
FT152P	70	FT20803	71	FT300	81
FT152RL.....	77	FT20803S.....	71	FT300GW	81
FT155	85	FT20803TWS	71	FT300P.....	69
FT191S.....	80	FT20804	71	FT300PG.....	69
FT2001	74	FT20804S.....	71	FT300SS	82
FT2001-12.....	74	FT20804TWS	71	FT300SSGW	82
FT2002	74	FT20805	71	FT301	81
FT2002-12.....	74	FT20805S.....	71	FT301GW	81
FT2003	74	FT20805TWS	71	FT301P.....	69
FT2003-12.....	74	FT20806	71	FT301SS	82
FT2004	74	FT20806S.....	71	FT301SSGW	82
FT2004-12.....	74	FT20806TWS	71	FT302	81
FT2005	74	FT208LCM.....	69	FT304	81
FT2005-12.....	74	FT208P.....	69	FT304GW	81
FT2006	74	FT208PP	69	FT304P.....	69
FT2006-12.....	74	FT208PPC.....	69	FT304SS	82
FT201	185, 75	FT208PSS.....	69	FT304SSGW	82
FT201-12.....	185, 75	FT2101	74	FT305	81
FT201-18.....	185, 75	FT2101-12.....	74	FT306	81
FT202	75	FT2102	74	FT306P.....	69
FT202-12.....	75	FT2102-12.....	74	FT307	81
FT202-18.....	75	FT2103	74	FT307GW	81
FT203	75	FT2103-12.....	74	FT307SS	82
FT203P-SPEC.....	75	FT2104	74	FT307SSGW	82
FT204	75	FT2104-12.....	74	FT310	177, 192, 81
FT206	76	FT2105	74	FT310SS	177, 192, 82
FT207	73	FT2105-12.....	74	FT311	177, 192, 81
FT208	73	FT2106	74	FT311SS.....	177, 192, 82
FT208-390P.....	68	FT2106-12.....	74	FT312	190
FT208-390PG.....	68	FT2801	72	FT313	192
FT208-390PGS	68	FT2801-12.....	72	FT313SS	192
FT208-390PGSO.....	68	FT2802	72	FT314	192, 81
FT208-390PGST	68	FT2802-12.....	72	FT314SS	192, 82
FT208-390PGSTO	68	FT2803	72	FT315	190, 81
FT208-390PGT.....	68	FT2803-12.....	72	FT316	179, 190, 81
FT208-390PP	68	FT2804	72	FT317	192, 81
FT208-390PPG	68	FT2804-12.....	72	FT317SS	192, 82
FT208-390PPGS.....	68	FT2805	72	FT320	175, 177, 180, 181, 182, 192, 194, 196, 81, 82
FT208-390PPGSO	68	FT2805-12.....	72	FT321	175, 177, 180, 181, 182, 192, 194, 196, 81, 82
FT208-390PPGST.....	68	FT2806	72		
FT208-390PPGSTO	68	FT2806-12.....	72		

FT390.....	83	FT600P.....	88	FT9030.....	187
FT390-20.....	83	FT600P-4.....	88	FT9031.....	188, 189
FT390G.....	83	FT600S.....	88	FT9034.....	177, 192
FT390G-20.....	83	FT600S-4.....	88	FT9036.....	176, 189
FT390GT.....	83	FT600SC.....	88	FT9037.....	86
FT390PG-20.....	69	FT601.....	199, 88	FT904.....	78
FT390T.....	83	FT601-10.....	199, 88	FT9040.....	176, 189
FT390V.....	83	FT601-4.....	199	FT9046.....	177, 192
FT391.....	83	FT602.....	199, 88	FT905.....	78
FT391G.....	83	FT603.....	88	FT9051.....	175, 180, 181, 194, 196
FT391P-20.....	69	FT604.....	199, 88	FT9052.....	175, 180, 181, 194, 196
FT391PG.....	69	FT606.....	88	FT9055.....	186
FT391PG-20.....	69	FT620.....	88	FT9059.....	188
FT391V.....	83	FT620P.....	88	FT9062.....	175, 180, 181, 194, 196
FT393.....	84	FT620S.....	88	FT9063.....	175, 180, 181, 194, 196
FT394.....	84	FT620SP.....	88	FT9064.....	188
FT394G.....	84	FT621.....	199, 88	FT9068.....	175, 177, 180, 181, 184, 186, 192, 194, 196
FT394P.....	182, 69	FT622.....	199, 88	G150E.....	15
FT394PG.....	182, 69	FT623.....	88	G150T.....	15
FT394V-G.....	84	FT624.....	199, 88	G200BL.....	55
FT394VP.....	182, 69	FT7500.....	89	G200E.....	15
FT394VPG.....	182, 69	FT7501.....	89	G200T.....	14, 15, 55
FT395.....	84	FT7502.....	89	G200VB.....	15, 55
FT395G.....	84	FT7600.....	89	G250E.....	15
FT395P-20.....	69	FT7600-4.....	89	G250T.....	15
FT395PG-20.....	182, 69	FT7600C.....	89	G300BL.....	55
FT395V.....	84	FT7600C-2.....	89	G300E.....	15
FT395V-G.....	84	FT7600CP.....	89	G300T.....	14, 15, 55
FT400.....	86	FT7600P.....	89	G300VB.....	15, 55
FT400-1000.....	86	FT7600P-4.....	89	G3050.....	92
FT400-500.....	86	FT7600S.....	89	G4000AS.....	135
FT401.....	86	FT7600SC.....	89	G400BL.....	55
FT401-1000.....	86	FT7600SP.....	89	G400E.....	15
FT401-150.....	86	FT7605C.....	89	G400T.....	14, 15, 55
FT402.....	86	FT7620.....	89	G400VB.....	15, 55
FT403.....	86	FT7620P.....	89	G500E.....	15
FT404.....	86	FT7620S.....	89	G500T.....	14, 15
FT404-1000.....	86	FT7620SP.....	89	G600E.....	15
FT404-150.....	86	FT7630.....	89	G600T.....	15
FT405-500.....	86	FT7630D.....	89	GASKET RETAINER.....	113
FT406.....	84	FT7640-3.....	89	GS1.....	46
FT450.....	85	FT7640-4.....	89	GS1-2.....	46
FT451.....	85	FT9000.....	185	GS2.....	46
FT452.....	85	FT9000P.....	183	H315BU.....	15
FT520.....	86	FT9001.....	183, 185	H325BU.....	15
FT520CASE.....	86	FT9002.....	185	H32BU.....	15
FT520WOGA.....	86	FT9003.....	187, 188	H33BU.....	15
FT520WOGACASE.....	86	FT9004.....	187, 188	H34BU.....	15
FT521.....	86	FT9008.....	177, 192	H36BU.....	15
FT522.....	86	FT9009.....	177, 192	HTM500.....	16
FT523.....	86	FT901.....	78	L02BL.....	55
FT555PW.....	87	FT9010.....	192	L02BU.....	14
FT555PWF.....	87	FT9011.....	183, 185	L03BL.....	55
FT590OG.....	87	FT9013.....	177, 192	L03BU.....	14
FT590OGT.....	87	FT902.....	78	L04BL.....	55
FT590TG.....	87	FT9020.....	177, 192	L04BU.....	14
FT590TGT.....	87	FT9021.....	86	L05BU.....	14
FT600.....	88	FT9022.....	86	L1110-L2287.....	130
FT600-4.....	88	FT9023.....	86	L2311.....	128
FT600C.....	88	FT9024.....	86	L2312.....	128
FT600C-2.....	88	FT9025.....	86	L2373.....	128
FT600CP.....	88	FT903.....	78		

L4217.....	136	SWMF150.....	61	VR4086.....	41
L519-12.....	122	SWMF200.....	61	VR4086-BY.....	41
L519-15.....	121	TDF6.....	22, 46	VR4100.....	43
NIPPLE/1.....	124, 125	TDF68RK.....	140	VR4100-3.....	133, 134
NUT-106.....	58	TDF7.....	22, 46	VR4100F.....	43
NUT.25HX-SS.....	141, 142	TDF7RK.....	140	VR4100F-NGNP.....	43
NUTL357-1.....	165, 166	TDF8.....	22, 46	VR4100F-SFI.....	43
O-RING#132.....	133, 164, 167	TL4070BZ.....	41	VR4100FNG.....	43
O-RING#39.....	127	TRUARC-5100-25.....	128	VR4100NP.....	43
O-RING-AS-129.....	165, 166	TTF300SP.....	35	VR4100NPS.....	43
O-RING-AS-334.....	130, 134, 135, 136	TTF3AL.....	23, 35	VR4100RK1.....	133
O-RING-AS016.....	165, 166	TTF3AL-3MT.....	10, 35	VR4100S.....	43
O-RING-AS339-V.....	133	TTF400SP.....	23, 35	VR6000-2.....	131
O-RINGAS238.....	106	TTF4AL.....	23, 35	VR6000-3.....	130, 134, 136
PC30.....	46	TTF4AL-3EMT.....	10, 35, 9	VR6000-4.....	130
PC5000.....	12	TTF4AL-3FT.....	10, 35	VR6000-5.....	130
PC5000-002.....	12	TTF4AL-3MT.....	10, 35	VR6000-6.....	129, 130, 42
PC5000AA.....	12	TTF4AL-4EMT.....	10, 35, 9	VR6000-7.....	135, 136
PC5000TTTE.....	12	TTF4AL-4FT.....	10, 35	VR6000NP.....	42
PC5000VV.....	12	TTF4AL-4MT.....	10, 35	VR6030RK1.....	137
PC5001.....	12	TTF4ALHC-3MT.....	10, 35	VR6030RK2.....	137
PC5001-002.....	12	TTF4ALHC-4MT.....	10, 35	VR6030RK3.....	137
PC5003.....	12	U-CUP-2/75.....	127	VR6030RKV1.....	137
PC5004.....	12	VAC4030RK.....	136	VR6030RKV3.....	137
PC5005.....	12	VN2000-200.....	56	VR6030SQ.....	44
PC5006.....	12	VN2500-200.....	56	VR6035RK1.....	138
PC5007.....	12	VN3000-200.....	56	VR6035RK2.....	138
PIN-L389-SS.....	164	VN4000-200.....	56	VR6035RK3.....	138
PIN5/16X 1 1/4P.....	125	VR3100.....	43	VR6035RK4.....	138
RING-VH-225.....	133	VR3100NP.....	43	VR6035RKV1.....	138
SA4050AL.....	41	VR4000.....	43	VR6035RKV3.....	138
SA4050BZ.....	41	VR4000-2.....	133	VR6035SQ.....	44
SC1024375-SS.....	133	VR4000-3.....	133	VR6100CAK.....	129
SC3/8NCX1/2.....	127	VR4000-4.....	133	VR6100NP.....	42
SC5-16-18X2.5P.....	106	VR4000-5.....	133	VR6230.....	130
SC5-16-18X2.75P.....	106	VR4030-AL45.....	135	VR6500.....	42
SC5-16NCX.75FSS.....	133, 134	VR4030CS-1.....	136	VR6500LPNP.....	42
SC5/16-18X2.5P.....	127	VR4030CS-3.....	136	VR6500NP.....	42
SF1N.....	58	VR4030CS-4.....	136	VR6500RK1.....	130
SINGLE1518R.....	199	VR4030CS-AL.....	44	VRC3000AL.....	44
SLV358-1.....	166	VR4030CS-AL45.....	44	VRHK.....	44
SLVL358-1.....	165	VR4030CS-NP.....	44	VRHK-C.....	44
SPRG-972.....	167	VR4030CS-SH.....	44	VRP3500.....	44
SPRG-A4630.....	140	VR4040-AL45.....	135	VRP3500-2.....	139
SPRG-L368.....	164, 165, 166, 167	VR4040-ALS45.....	135	VRP3500-4.....	139
SPRG-L4506.....	139	VR4040CS-4MNPT.....	44	VRP3501-6.....	139
SPRG/L4238.....	136	VR4040CS-AL.....	44	VRP3600.....	44
SPRG/L4432.....	133	VR4040CS-AL45.....	44	VRV3501.....	44
SPRG/L4603.....	106, 107	VR4040CS-ALS45.....	44	VRV3501-2.....	139
SPRING-L5123.....	133, 134	VR4040CSB.....	135	VRV3501-3.....	139
STEMPACK-L360.....	165, 166	VR4040CSRK1.....	135, 44	VRV3501-4.....	139
SWMF-RK1.....	168, 170	VR4040CSRK2.....	135, 44	VRV3501-5.....	139
SWMF-RK2.....	168, 170	VR4040CSRK3.....	135	VRV3501-6.....	139
SWMF-RK22.....	168	VR4050AL.....	41, 43	WASHER.375-SS.....	122, 125, 130
SWMF-RK3.....	168, 170	VR4050ALC.....	41, 43		
SWMF-RK32.....	168	VR4050PL.....	41, 43		
SWMF-RK4.....	170	VR4050PL-1200.....	41		
SWMF-RK42.....	172	VR4050PLC.....	43		
SWMF-RK5.....	170	VR4050PLRK1.....	132		
SWMF-RK52.....	172	VR4075.....	132		
SWMF-RK6.....	170	VR4076.....	132		
SWMF125.....	61	VR4077.....	132		

Limited Warranty

DIXON GROUP CANADA LIMITED (herein called "Dixon") warrants the products described herein, and manufactured by Dixon to be free from defects in material and workmanship for a period of one (1) year from date of shipment by Dixon under normal use and service. Its sole obligation under this warranty being limited to repairing or replacing, as hereinafter provided, at its option any product found to Dixon's satisfaction to be defective upon examination by it, provided that such product shall be returned for inspection to Dixon's factory within three (3) months after discovery of the defect. The repair or replacement of defective products will be made without charge for parts or labor. This warranty shall not apply to: (a) parts or products not manufactured by Dixon, the warranty of such items being limited to the actual warranty extended to Dixon by its supplier; (b) any product that has been subject to abuse, negligence, accident, or misapplication; (c) any product altered or repaired by others than Dixon; and (d) to normal maintenance services and the replacement of service items (such as washers, gaskets and lubricants) made in connection with such services. To the extent permitted by law, this limited warranty shall extend only to the buyer and any other person reasonably expected to use or consume the goods who is injured in person by any breach of the warranty. No action may be brought against Dixon for an alleged breach of warranty unless such action is instituted within one (1) year from the date the cause of action accrues. This limited warranty shall be construed and enforced to the fullest extent allowable by applicable law.

Other than the obligation of Dixon set forth herein, Dixon disclaims all warranties, express or implied, including but not limited to any implied warranties of merchantability or fitness for a particular purpose, and any other obligation or liability. The foregoing constitutes Dixon's sole obligation with respect to damages, whether direct, incidental or consequential, resulting from the use or performance of the product.

Some products and sizes may be discontinued when stock is depleted, or may require a minimum quantity for ordering.

Limits of Liability

This catalog is intended as a product offering. It is not intended to be a user or technical manual. Information in this catalog is subject to change without notice. All users and distributors of products sold through this catalog should contact Dixon® with questions of use, compatibilities, coupling procedures and life of product. Our full-time engineering and test staff are always available to recommend uses and to assist distributors and users with any questions.



Safety



Safety logos, which appear throughout our catalog, are used as a reminder that the user should carefully review for the appropriateness of the product for the media, application and environment in which it will be used.

NOTE: Because of the health hazards associated with contamination and lead content in drinking water systems, Dixon® couplings, unless otherwise specifically approved, are not recommended for potable water service and should not be used in applications where drinking water will contact the wetted surfaces of the coupling.

Warning: Dixon® products may contain chemicals known to the State of California to cause cancer, birth defects, or other reproduction harm.

Copyright

Copyright © 2019 by Dixon Valve and Coupling

All rights reserved. This book is copyrighted material. Use, reproduction or copying of it by anyone other than Dixon® is strictly forbidden without its express written consent.

Dixon®
 ph 877.963.4966
 fx 800.283.4966
 canada.dixonvalve.com

Dixon Group Canada Limited



DBP119C INDEX

DRY
 BULK
 PETROLEUM
 &
 OVERFILL

**Dry Bulk
 Products**
 pages 2-25

Edmonton, Alberta
 Branch Direct Toll Free:
 Ph: 866-469-5444
 Fx: 877-463-9205
 Local:
 Ph: 780-469-5444
 Fx: 780-463-9205
 7011-68th Avenue
 Edmonton, Alberta
 T6B 3E3

**Petroleum
 Products**
 pages 26-64

Mississauga, Ontario
 Branch Direct Toll Free:
 Ph: 866-436-1125
 Fx: 877-436-6251
 Local:
 Ph: 905-673-5999
 Fx: 905-673-2454
 1970 Boylen Road
 Mississauga, Ontario
 L5S 1P5

**Overfill
 Products**
 pages 65-100

Pointe Claire, Quebec
 Branch Direct Toll Free:
 Ph: 866-349-6644
 Fx: 866-422-0166
 Local:
 Ph: 514-695-6242
 Fx: 514-695-7203
 150 Brunswick Boulevard
 Pointe Claire, Quebec
 H9R 5P9

**Dry Bulk
 Replacement
 Parts**
 pages 101-113



The Right Connection®

**Petroleum
 Replacement
 Parts**
 pages 114-173

Dixon Group Canada Limited
 ph 877.963.4966
 canada.dixonvalve.com

**Overfill
 Replacement
 Parts**
 pages 174-199



DBP119C

Index
 pages 200-215

Uncommon Excellence • Uncommon Excellence • Uncommon